



High Current Low Profile Surface Mount Inductors

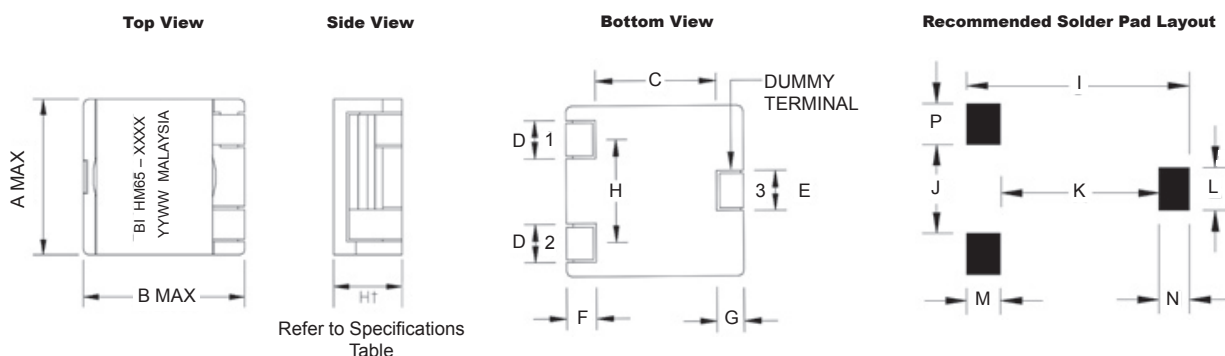
- Operating Temperature Range -40°C to +130°C
- Ambient Temperature, Maximum 80°C
- Insulation System Class F, 155°C

Specifications

Part Number	Inductance ⁽¹⁾		Rated DC Current ⁽²⁾		Heating Current ⁽³⁾ (Amps)	DC Resistance ⁽⁴⁾		Case Size	Ht Height mm Max.
	Nominal μH ±20%		25°C	130°C		mΩ Typ.	mΩ Max.		
HM65-H1R0LF	1.0		20.0	13.5	19.9	1.7	2.5	Standard	5.6
HM65-H1R8LF	1.8		15.3	11.5	15.2	2.9	3.4	Standard	5.6
HM65-H2R8LF	2.8		12.3	10.5	12.1	4.6	5.4	Standard	5.6
HM65-H3R9LF	3.9		10.5	8.3	11.4	5.2	8.0	Standard	5.6
HM65-H4R0LF	4.0		10.3	8.0	11.4	5.2	8.0	Standard	5.6
HM65-H5R6LF	5.6		8.8	7.5	8.1	10.2	11.4	Standard	5.6
HM65-H6R0LF	6.0		8.0	6.5	8.1	10.2	11.4	Standard	5.6
HM65-H7R2LF	7.2		7.8	6.0	7.8	11.4	13.5	Standard	6.0
HM65-1R5LF	1.5		14.0	10.5	17.1	2.3	2.5	Standard	5.6
HM65-2R5LF	2.5		10.0	8.0	15.2	2.9	3.4	Standard	5.6
HM65-6R0LF	6.0		6.7	4.5	11.5	5.1	8.0	Standard	5.6
HM65-8R2LF	8.2		5.8	4.5	8.1	10.2	11.4	Standard	5.6
HM65-100LF	10.0		5.0	4.0	7.8	11.3	13.5	Standard	5.6
HM65-P1R0LF	1.0		20.0	20.0	19.9	1.7	2.5	Standard	6.0
HM65-P1R2LF	1.2		18.0	18.0	19.9	1.7	2.5	Standard	6.0
HM65-P1R8LF	1.8		16.0	16.0	15.2	2.9	3.4	Standard	6.0
HM65-P2R5LF	2.5		10.0	10.0	15.2	2.9	3.4	Standard	6.0
HM65-M0R5LF	0.5		32.0	24.0	16.3	1.8	2.2	Mini	5.6
HM65-M0R8LF	0.8		20.0	16.0	16.3	1.8	2.2	Mini	5.6
HM65-M2R5LF	2.5		18.0	14.0	6.2	12.4	15.0	Mini	5.6

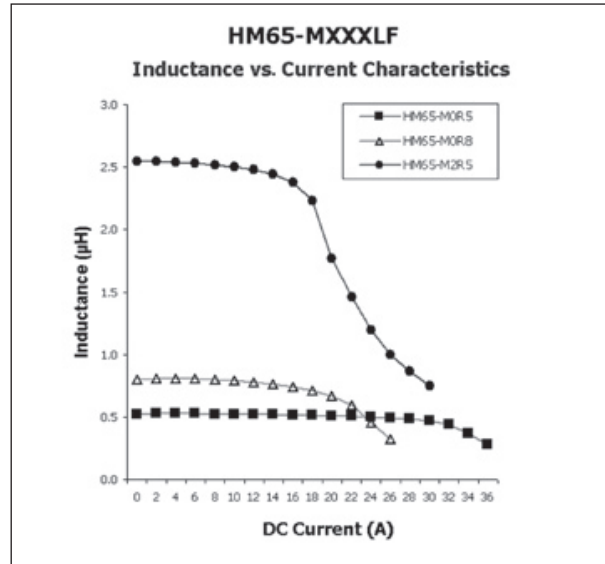
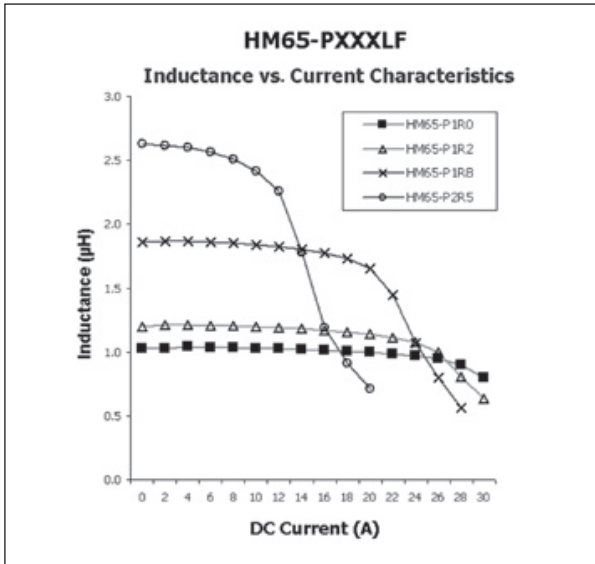
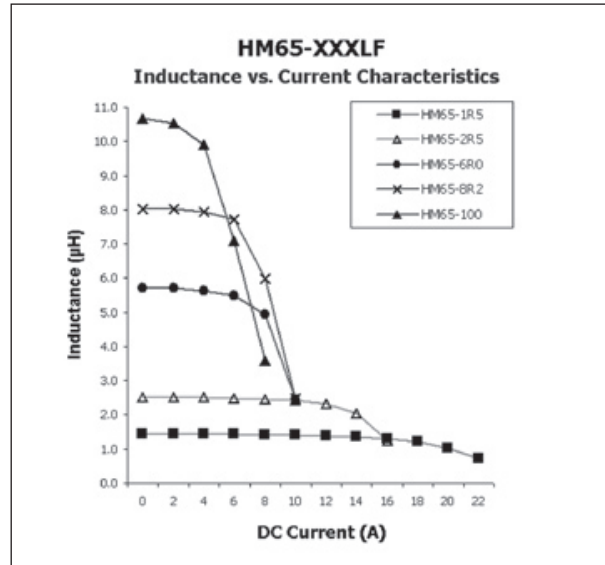
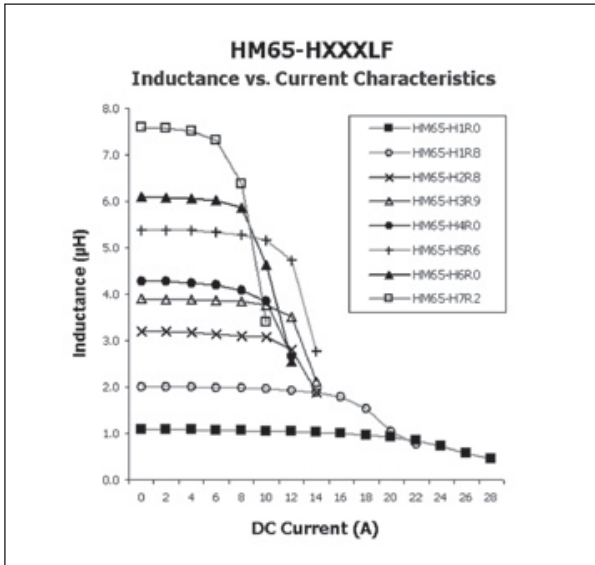
- Notes:
- (1) Inductance is measured at 100kHz, 0.1V without DC current.
 - (2) Rated DC current is the approximate current at which inductance will be decreased by 25% from its initial (zero DC) value.
 - (3) Heating current is the DC current which causes the inductor temperature to increase by approximately 40°C.
 - (4) DC resistance is measured at 25°C.

Outline Dimensions (mm)



Case Size	A	B	C	D	E	F	G	H	I	J	K	L	M	N	P
Standard	12.5	13.5	7.3	2.6	2.6	2.6	2.6	7.4	13.5	4.4	6.9	3.0	3.6	3.0	3.0
Mini	10.4	10.4	6.9	2.6	1.5	2.3	1.1	5.5	10.4	2.5	6.5	1.8	2.6	1.3	3.0

Electrical Characteristics @ 25 °C



Ordering Information

Model Series: **HM65**

Type: **H**
 H = High Current
 P = Premium Core Material
 M = Mini-Package

Inductance Code: **1R0**
 First 2 digits are significant. Last digit denotes the number of trailing zeros. For values below 10µH, "R" denotes the decimal point

LF
 Lead-Free

TR
 Tape & 13" Reel (400 Units/Reel)