

FEATURES

- High Efficiency: Up to 90%
- 1.2MHz Constant Frequency Operation
- Integrated internal Power MOSFET
- Drives up to 7 Series WLEDs
- Soft-start/Dimming with wide Frequency Range
- UVLO, Thermal Shutdown
- Internal Current limit
- Over Voltage Protection
- Small LC Filter
- Minimize the External Component
- $<1\mu\text{A}$ Shutdown Current
- SOT23-6 Package

APPLICATIONS

- Camera Flash White LED
- Mobile Phone, Smart Phone LED Backlight
- PDA LED Backlight
- Digital Still Cameras
- Camcorder

GENERAL DESCRIPTION

The HM9284 is a step-up converter designed for driving up to 7 series white LEDs from a single cell Lithium Ion battery - The HM9284 uses current mode, fixed frequency architecture to regulate an LED current, which is measured through an external current sense resistor.

The HM9284 includes undervoltage lockout, current limiting and thermal overload protection preventing damage in the event of an output overload.

Optimized operation frequency can meet the requirement of small LC filters value and low operation current with high efficiency. Internal soft start function can reduce the inrush current. Tiny package type provide the best solution for PCB space saving and total BOM cost.

TYPICAL APPLICATION

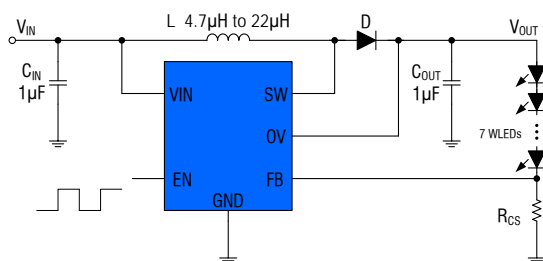
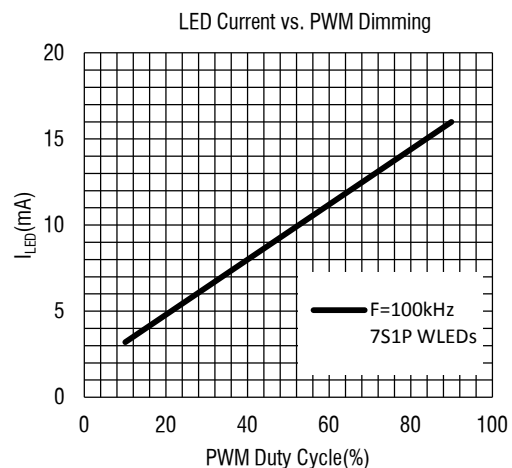


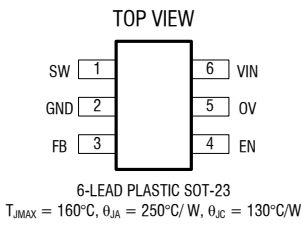
Figure 1. Basic Application Circuit



ABSOLUTE MAXIMUM RATINGS (Note 1)

Input Supply Voltage.....-0.3V to 6V	Junction Temperature(Note2).....160°C
EN,FB Voltages.....-0.3V to 6V	Operating Temperature Range.....-40°C to 85°C
SW Voltage.....-0.3V to 30V	Lead Temperature(Soldering,10s).....300°C
Power Dissipation.....0.6W	Storage Temperature Range.....-65°C to 150°C
Thermal Resistance θ_{JC}130°C/W	ESD HBM(Human Body Mode).....2kV
Thermal Resistance θ_{JA}250°C/W	ESD MM(Machine Mode).....200V

PACKAGE/ORDER INFORMATION

	Order Part Number	Package	Remark	Top Marking
	HM9284AS6	SOT23-6	$V_{FB} = 104mV$	B11G8W
	HM9284BS6	SOT23-6	$V_{FB} = 250mV$	B1B8DC
	HM9284CS6	SOT23-6	$V_{FB} = 300mV$	B1C8DC

PIN DESCRIPTION

Pin Name	Pin Number	Description
SW	1	Inductor Connection. Connect to the switched side of the external inductor as well as the anode of the external diode. SW is high impedance during shutdown.
GND	2	Ground Pin.
FB	3	Current-Sense Feedback Input. Connect a resistor from FB to GND to set the LED current.
EN	4	Enable and LED Brightness Control Input. Pull high to turn on IC. Drive EN with a 20kHz to 1MHz unfiltered PWM dimming signal for DC LED current that is proportional to the signal's duty cycle.
OV	5	Over Voltage Input. The HM9284 turn off the N-channel MOSFET when V_{OUT} exceeds 28V. Connect OV to the output at the top of the LED string.
VIN	6	Power Supply Input. Must be closely decoupled to GND with a 1μF or greater ceramic capacitor.

ELECTRICAL CHARACTERISTICS (Note 3)

($V_{IN}=V_{EN}=3.7V, T_A = 25^{\circ}C$, unless otherwise noted.)

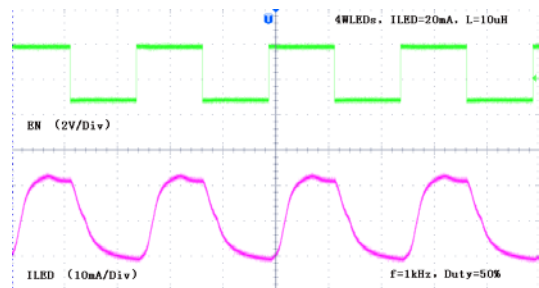
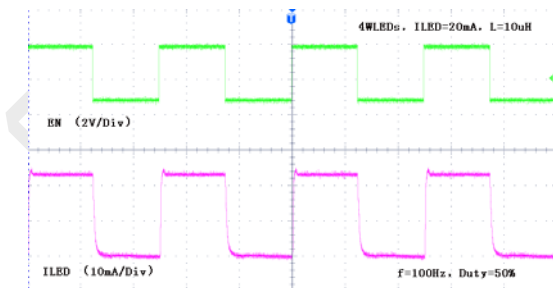
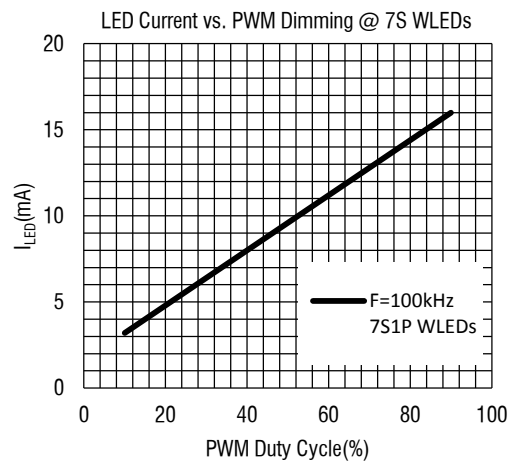
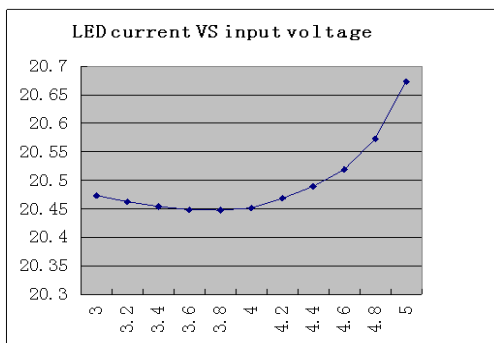
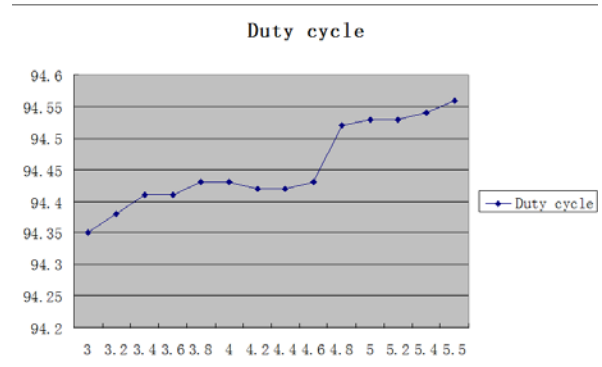
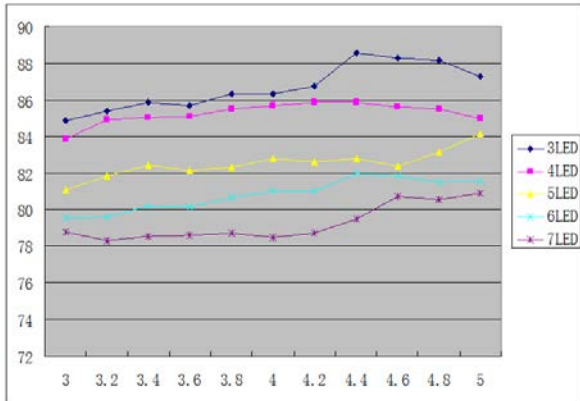
PARAMETER	CONDITIONS	MIN	TYP	MAX	UNIT
Operating Input Voltage		2.5		5.5	V
Under Voltage Lockout			2.2	2.45	V
Under Voltage Lockout Hysteresis			100		mV
Current (Shutdown)	$V_{EN} < 0.4V$		0.1	1	μA
Quiescent Current	$V_{FB} = 0.15V$, No switching		200	300	μA
Supply Current	$V_{FB} = 0V$, switching		0.6	1	mA
Regulated Feedback Voltage	HM9284AS6	94	104	114	mV
	HM9284BS6	238	250	262	mV
	HM9284CS6	285	300	315	mV
Switching Frequency			1.2		MHz
ON Resistance of NMOS			0.5		Ω
Peak Current Limit	$V_{IN} = 4.2V$, Duty cycle=50%		1.5		A
EN Shutdown Voltage				0.4	V
EN Enable Voltage		1.5			V
EN Leakage Current			± 0.01	± 1.0	μA
OVP Threshold	Open LED, V_{OUT} Rising		28		V

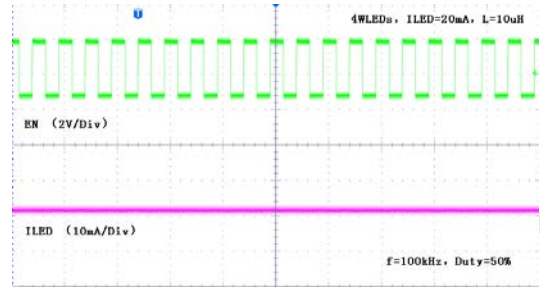
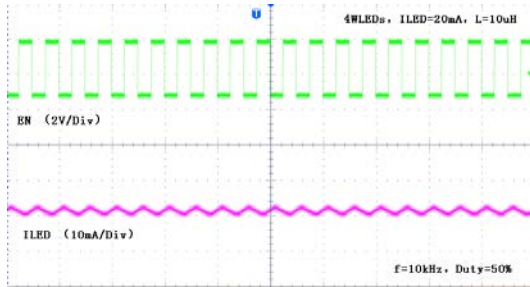
Note 1: Absolute Maximum Ratings are those values beyond which the life of a device may be impaired.

Note 2: T_J is calculated from the ambient temperature T_A and power dissipation P_D according to the following formula: $T_J = T_A + (P_D) \times (250^{\circ}C/W)$.

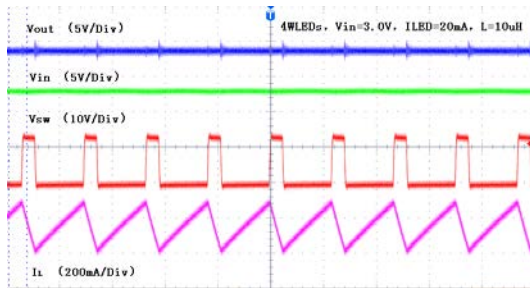
Note 3: 100% production test at $25^{\circ}C$. Specifications over the temperature range are guaranteed by design and characterization.

TYPICAL PERFORMANCE CHARACTERISTICS

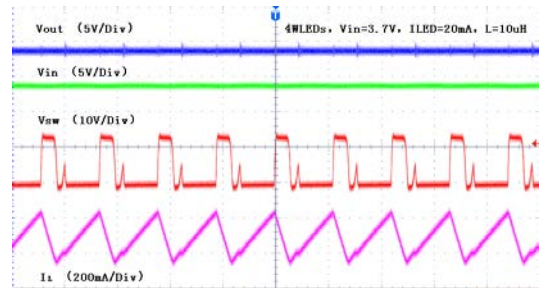




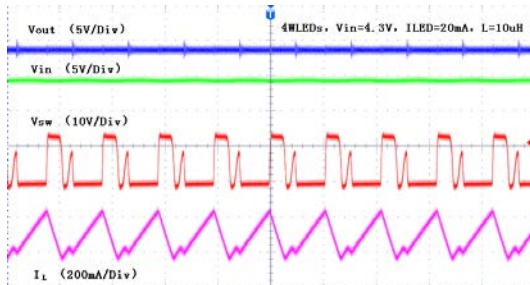
Normal Operation @ $V_{IN}=3V$



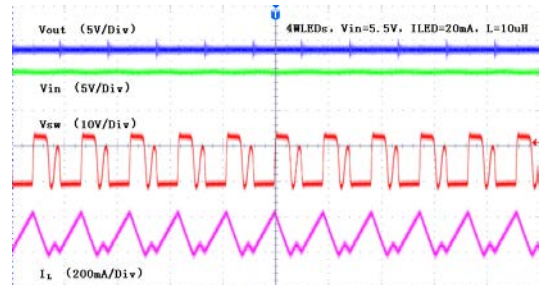
Normal Operation @ $V_{IN}=3.7V$



Normal Operation @ $V_{IN}=4.3V$



Normal Operation @ $V_{IN}=5.5V$



FUNCTIONAL BLOCK DIAGRAM

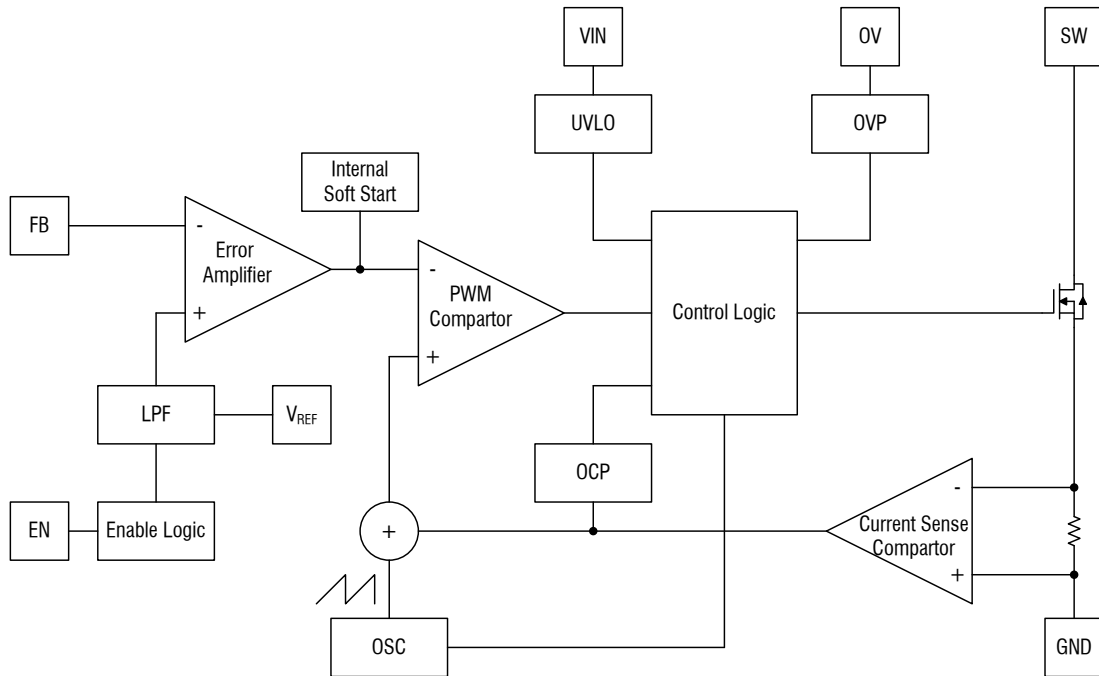


Figure 2. HM9284 Block Diagram

FUNCTIONAL DESCRIPTION

The HM9284 uses a constant frequency peak current mode boost regulator architecture to regulate the series string of white LEDs. At the start of each oscill or cycle the FET is turned on through the control circuitry - To prevent sub-harmonic oscillations at duty cycles greater than 50 percent a stabilizing ramp is added to the output of the current sense amplifier and the result is fed into the positive input of the PWM comparator.

When this voltage equals the output voltage of the error amplifier the power FET is turned off. The voltage at the output of the error amplifier is

an amplified version of the difference between the reference voltage and the feedback voltage. In this way the peak current level keeps the output in regulation. If the feedback voltage starts to drop the output of the error amplifier increases. This results in more current flowing through the power FET thus increasing the power delivered to the output.

APPLICATIONS INFORMATION

Adjusting LED Current

Set the maximum LED current using a resistor from FB to GND. Calculate the resistance as follows:

$$R_{CS} = \frac{V_{FB}}{I_{LED}}$$

where I_{LED} is the desired maximum current through the LEDs.

LED Dimming Control

➤ Using a PWM Signal to EN Pin

For controlling the LED brightness the HM9284 can perform the dimming control by applying a PWM signal to EN pin. The internal softstart and the wide range dimming frequency can eliminate inrush current and audio noise when dimming. The average LED current is proportional to the PWM signal duty cycle. The magnitude of the PWM signal should be higher than the maximum enable voltage of EN pin in order to let the dimming control perform correctly for preventing the flicker issue the suggested PWM frequency is $\geq 20\text{kHz}$ and $\leq 1\text{MHz}$.

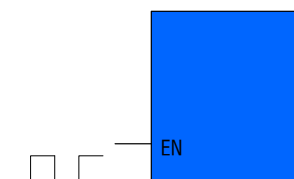


Figure 3

➤ Using a DC Voltage

Using a variable DC voltage to adjust the brightness is a popular method in some applications. According to the Superposition Theorem, as the DC voltage increases, the voltage contributed to V_{FB} increases and the

voltage drop on R1 decreases, i.e. the LED current decreases. For example, if the V_{DC} range is from 0V to 2.8V, the selection of resistors sets dimming control of LED current from 20mA to 0mA. The LED current can be calculated by the following equation:

$$I_{LED} = \frac{V_{FB} - \frac{R1 \times (V_{DC} - V_{FB})}{R2}}{R_{CS}}$$

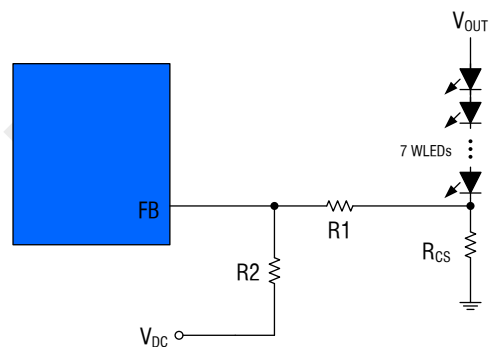


Figure 4

➤ Using a Filtered PWM signal

Another common application is using a filtered PWM signal as an adjustable DC voltage for LED dimming control. A filtered PWM signal acts as the DC voltage to regulate the output current. The recommended application circuit is shown in the Figure 5. In this circuit, the output ripple depends on the frequency of PWM signal. For smaller output voltage ripple ($< 100\text{mV}$), the recommended frequency of 2.8V PWM signal should be above 20kHz. To fix the frequency of PWM signal and change the duty cycle of PWM signal can get different output current. Figure 5 shows the relationship between LED current and PWM duty cycle. The LED current can be calculated by the following equation:

$$I_{LED} = \frac{V_{FB} - \frac{R1 \times (V_{PWM} \times Duty - V_{FB})}{R3 + R2}}{R_{CS}}$$

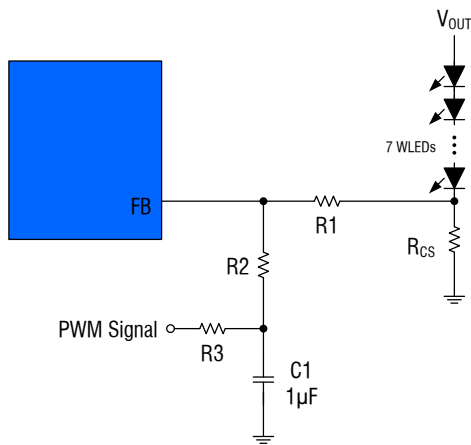


Figure5

Inductor Selection

The recommended value of inductor are 4.7 to 22µH. Small size and better efficiency are the major concerns for portable device such as HM9284 used for mobile phone. The inductor should have low core loss at 1.2MHz and low DCR for better efficiency. To avoid inductor saturation current rating should be considered.

Capacitor Selection

Input and output ceramic capacitors of 4. µF are recommended for HM9284 applications. For better voltage filtering ceramic capacitors with low ESR are recommended. X5R and X7R types are suitable because of their wider voltage and temperature ranges.

Diode Selection

Schottky diode is a good choice for HM9284 because of its low forward voltage drop and fast reverse recovery. Using Schottky diode can get better efficiency. The high speed rectification is also a good characteristic of Schottky diode for high switching frequency. Current rating of the

diode must meet the root mean square of the peak current and output average current multiplication as following :

$$I_D(RMS) = \sqrt{I_{OUT} \times I_{PEAK}}$$

The diode's reverse breakdown voltage should be larger than the output voltage.

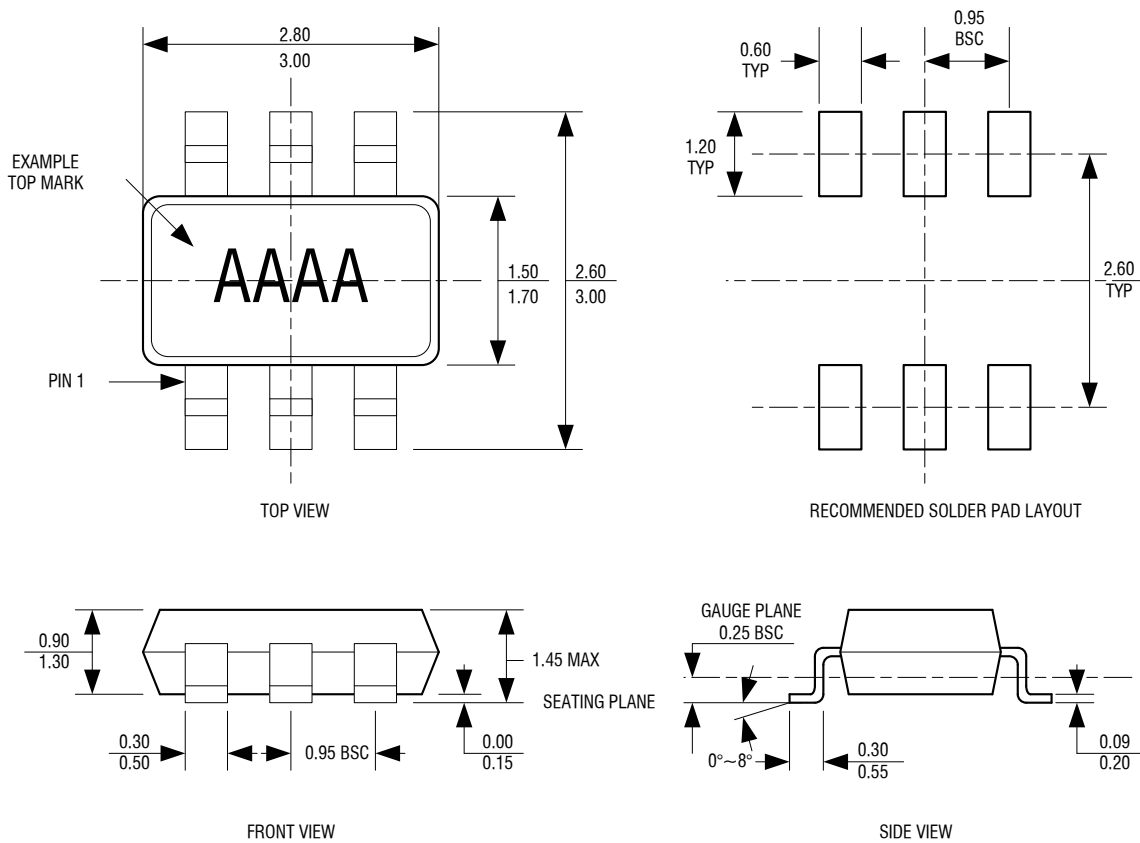
Layout Consideration

For best performance of the HM9284, the following guidelines must be strictly followed.

- Input and Output capacitors should be placed close to the IC and connected to ground plane to reduce noise coupling.
- The GND should be connected to a strong ground plane for heat sinking and noise protection.
- Keep the main current traces as possible as short and wide.
- SW node of DC-DC converter is with high frequency voltage swing. It should be kept at a small area.
- Place the feedback components as close as possible to the IC and keep away from the noisy device

PACKAGE DESCRIPTION

SOT23-6



- NOTE:
- 1.DIMENSIONS ARE IN MILLIMETERS.
 - 2.DRAWING NOT TO SCALE.
 - 3.DIMENSIONS ARE INCLUSIVE OF PLATING.
 - 4.DIMENSIONS ARE EXCLUSIVE OF MOLD FLASH AND METAL BURR.