

## GaAs MMIC VOLTAGE-VARIABLE ATTENUATOR, DC - 15 GHz

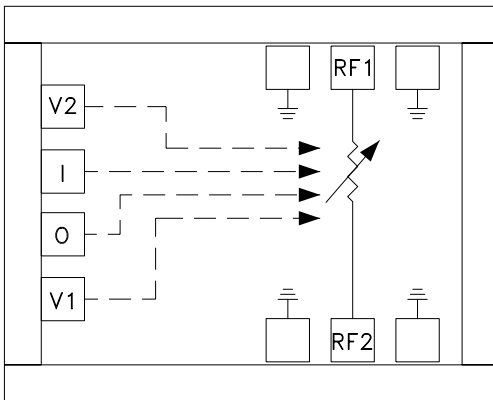
### Typical Applications

- Base Station Infrastructure
- Portable Wireless, CATV & DBS
- MMDS & Wireless LAN
- Wireless Local Loop
- Military, Space, & Test Equipment

### Features

- Wide Bandwidth: DC - 15 GHz
- Low Phase Shift vs. Attenuation
- 30 dB Attenuation Range
- Simplified Voltage Control

### Functional Diagram



### General Description

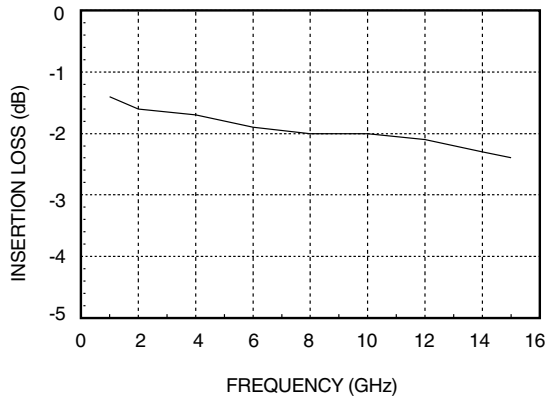
The HMC121 chip is an absorptive voltage variable attenuator. It features an on-chip reference attenuator for use with an external op-amp to provide simple single voltage attenuation control. The device is ideal in designs where an analog control signal must control RF signal levels over a 30 dB range, such as AGC circuits and in temperature compensation of multiple gain stages. See SMT packaged versions HMC121G8 (hermetic) and HMC121C8 (non hermetic).

### Electrical Specifications, $T_A = +25^\circ C$ , 50 ohm system

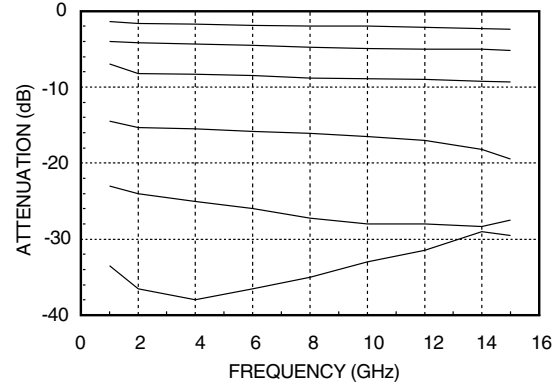
Parameter	Min.	Typ.	Max.	Units
Insertion Loss				
	DC - 8 GHz:	1.8	2.8	dB
	DC - 15 GHz:	2	3.5	dB
Attenuation Range	25	30		dB
Return Loss				
	DC - 8 GHz:	13	18	dB
	DC - 15 GHz:	10	15	dB
Switching Characteristics				
	tRISE, tFALL (10/90% RF):		3	ns
	tON, tOFF (50% CTL to 10/90% RF):		6	ns
Input Power for 0.25 dB Compression (0.5 - 15 GHz)				
	Min Atten:	+10		dBm
	Atten. >2 dB:	-2		dBm
Input Third Order Intercept (0.5 - 15 GHz) (Two - tone Input Power = 8 dBm Each Tone)				
	Min Atten:	+25		dBm
	Atten. >2 dB:	+10		dBm

## GaAs MMIC VOLTAGE-VARIABLE ATTENUATOR, DC - 15 GHz

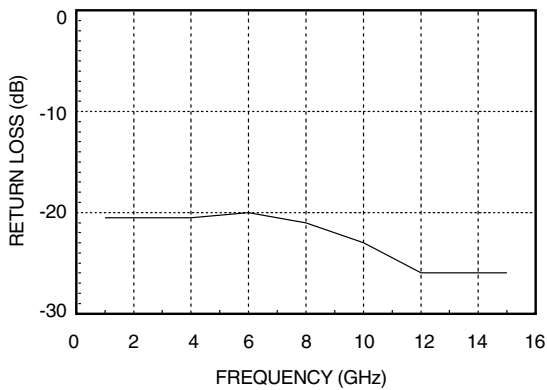
**Insertion Loss**



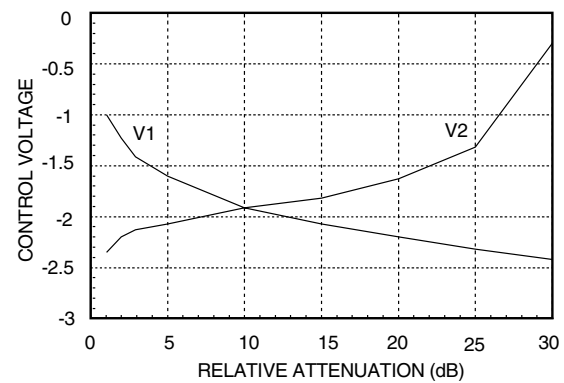
**Relative Attenuation**



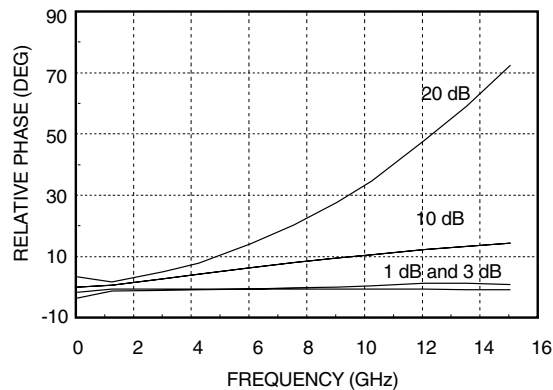
**Return Loss**



**Relative Attenuation vs. Control Voltage**



**Relative Phase**

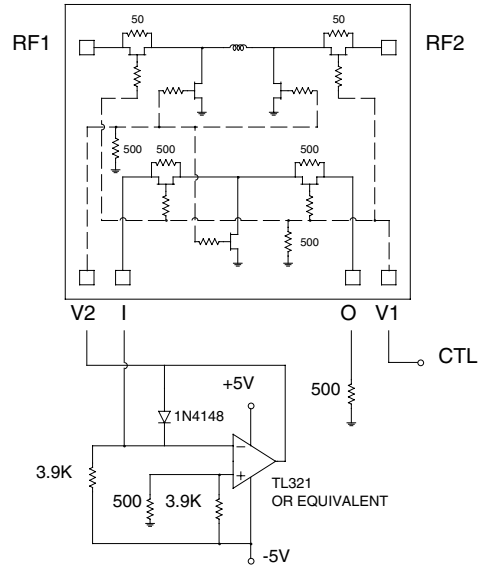


## GaAs MMIC VOLTAGE-VARIABLE ATTENUATOR, DC - 15 GHz

### Absolute Maximum Ratings

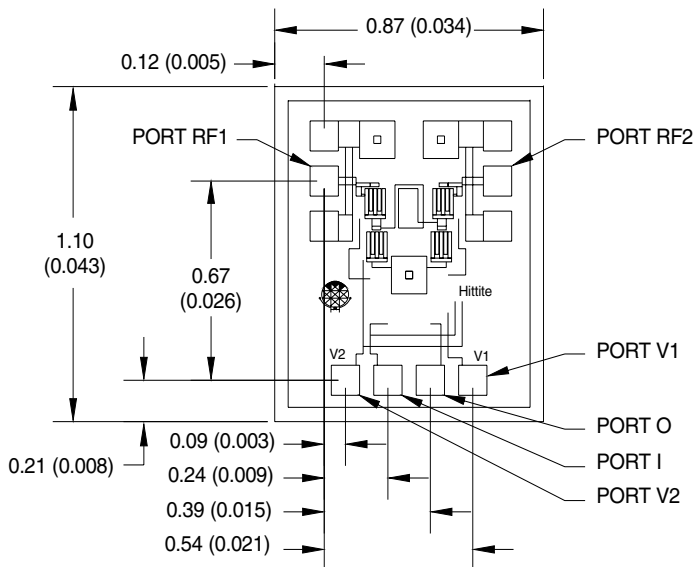
RF Input Power	+16 dBm
Control Voltage Range	+1.0 to -6.0 Vdc
Storage Temperature	-65 to +150 deg C
Operating Temperature	-55 to +125 deg C

### Single-Line Control Driver



External op-amp control circuit maintains impedance match while attenuation is varied. Input control ranges from 0 Volts (min. attenuation) to -2.5 Volts (max. attenuation).

### Outline Drawing



ALL DIMENSIONS ARE:  $\pm 0.025$  (0.001)  
 DIE THICKNESS IS 0.10 (0.004), BACKSIDE IS GROUND  
 BOND PADS ARE 0.10 (0.004) SQUARE  
 ALL DIMENSIONS IN MILLIMETERS (INCHES)  
 BOND PAD METALLIZATION: GOLD  
 BACKSIDE METALLIZATION: GOLD

**GaAs MMIC VOLTAGE-VARIABLE  
ATTENUATOR, DC - 15 GHz****Handling Precautions**

*Follow these precautions to avoid permanent damage.*

**Cleanliness:** Handle the chips in a clean environment. DO NOT attempt to clean the chip using liquid cleaning systems.

**Static Sensitivity:** Follow ESD precautions to protect against  $> \pm 250V$  ESD strikes.

**Transients:** Suppress instrument and bias supply transients while bias is applied. Use shielded signal and bias cables to minimize inductive pick-up.

**General Handling:** Handle the chip along the edges with a vacuum collet or with a sharp pair of bent tweezers. The surface of the chip has fragile air bridges and should not be touched with vacuum collet, tweezers, or fingers.

**Mounting**

The chip is back-metallized and can be die mounted with AuSn eutectic preforms or with electrically conductive epoxy. The mounting surface should be clean and flat.

**Eutectic Die Attach:**

A 80/20 gold tin preform is recommended with a work surface temperature of 255 deg. C and a tool temperature of 265 deg. C. When hot 90/10 nitrogen/hydrogen gas is applied, tool tip temperature should be 290 deg. C.

DO NOT expose the chip to a temperature greater than 320 deg. C for more than 20 seconds. No more than 3 seconds of scrubbing should be required for attachment.

**Epoxy Die Attach:**

Apply a minimum amount of epoxy to the mounting surface so that a thin epoxy fillet is observed around the perimeter of the chip once it is placed into position. Cure epoxy per the manufacturer's schedule.

**Wire Bonding**

Ball or wedge bond with 0.025 mm (1 mil) diameter pure gold wire (DC Bias) or ribbon bond (RF ports) 0.076 mm x 0.013 mm (3 mil x 0.5 mil) size is recommended. Thermosonic wirebonding with a nominal stage temperature of 150 deg. C and a ball bonding force of 40 to 50 grams or wedge bonding force of 18 to 22 grams is recommended. Use the minimum level of ultrasonic energy to achieve reliable wirebonds.

Wirebonds should be started on the chip and terminated on the package or substrate. All bonds should be as short as possible  $<0.31$  mm (12 mils).