

## GaAs MMIC SMT HIGH ISOLATION SPDT SWITCH, DC - 8.0 GHz

### Typical Applications

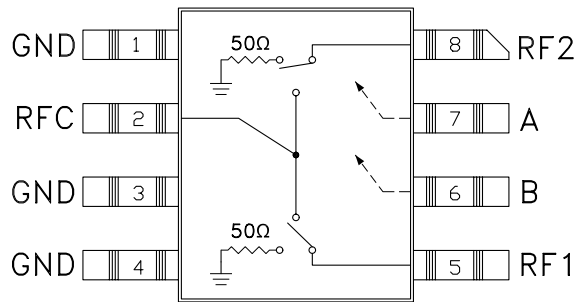
The HMC234C8 is ideal for:

- Telecom Infrastructure
- Microwave Radio & VSAT
- Military Radios, Radar & ECM
- Test Instrumentation

### Features

- Isolation: 52 dB @ 2.0 GHz  
40 dB @ 6.0 GHz
- Insertion Loss: 1.6 dB Typical @ 6.0 GHz
- Non-Reflective Design
- Surface Mount Ceramic Package

### Functional Diagram



### General Description

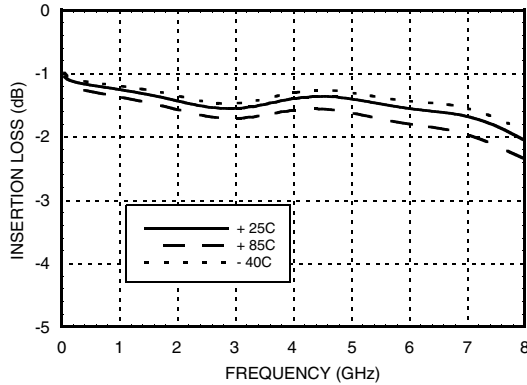
The HMC234C8 is a broadband high isolation non-reflective GaAs MESFET SPDT switch in a non-hermetic surface mount ceramic package. Covering DC to 8.0 GHz, the switch features >52 dB isolation up to 2 GHz and >38 dB isolation up to 8.0 GHz. The switch operates using complementary negative control voltage logic lines of -5/0V and requires no bias supply. This product is an excellent pin-for-pin replacement to the SMDI SSW124.

### Electrical Specifications, $T_A = +25^\circ\text{C}$ , With 0/-5V Control, 50 Ohm System

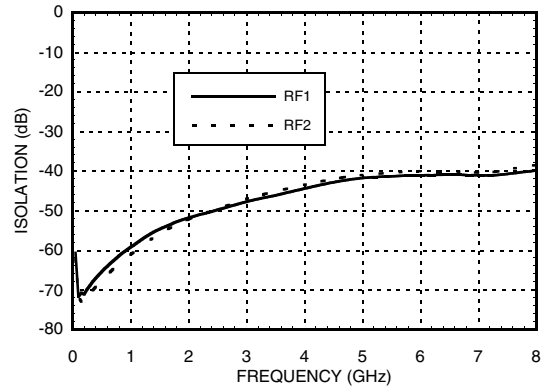
Parameter	Frequency	Min.	Typ.	Max.	Units
Insertion Loss	DC - 2.0 GHz		1.4	1.7	dB
	DC - 6.0 GHz		1.6	1.9	dB
	DC - 8.0 GHz		2.1	2.4	dB
Isolation	DC - 2.0 GHz	47	52		dB
	DC - 6.0 GHz	35	40		dB
	DC - 8.0 GHz	33	38		dB
Return Loss	"On State"	DC - 2.0 GHz	15		dB
		DC - 8.0 GHz	12		dB
Return Loss RF1, RF2	"Off State"	DC - 2.0 GHz	14		dB
		DC - 6.0 GHz	9		dB
		DC - 8.0 GHz	6		dB
Input Power for 1 dB Compression	0.5 - 8.0 GHz	22	26		dBm
Input Third Order Intercept (Two-Tone Input Power= +7 dBm Each Tone, 1 MHz Tone Separation)	0.5 - 8.0 GHz	40	46		dBm
Switching Characteristics tRISE, tFALL (10/90% RF) tON, tOFF (50% CTL to 10/90% RF)	DC - 8.0 GHz		3		ns
			5		ns

## GaAs MMIC SMT HIGH ISOLATION SPDT SWITCH, DC - 8.0 GHz

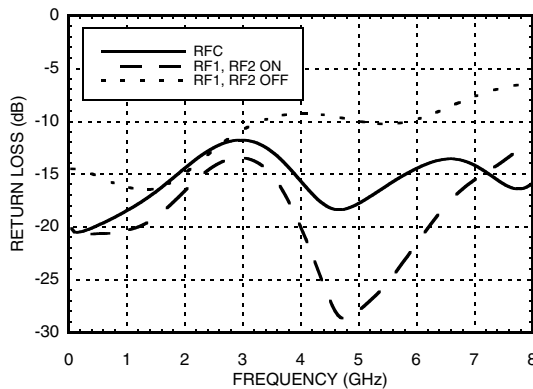
**Insertion Loss**



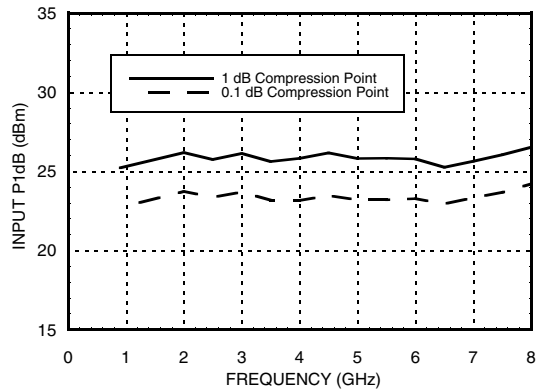
**Isolation**



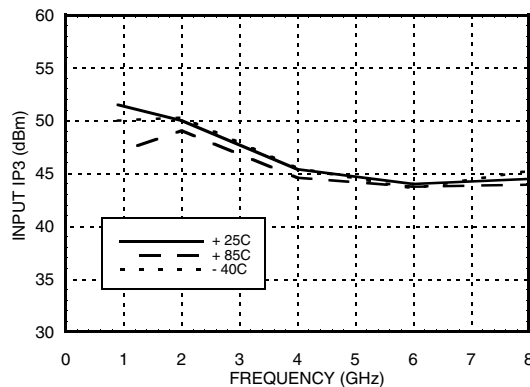
**Return Loss**



**0.1 and 1 dB Input Compression Point**



**Input Third Order Intercept Point**



## GaAs MMIC SMT HIGH ISOLATION SPDT SWITCH, DC - 8.0 GHz

### Control Voltages

State	Bias Condition
Low	0 to -0.2V @ 10 uA Max.
High	-5V @ 10 uA Typ. to -7V @ 45 uA Typ.

### Truth Table

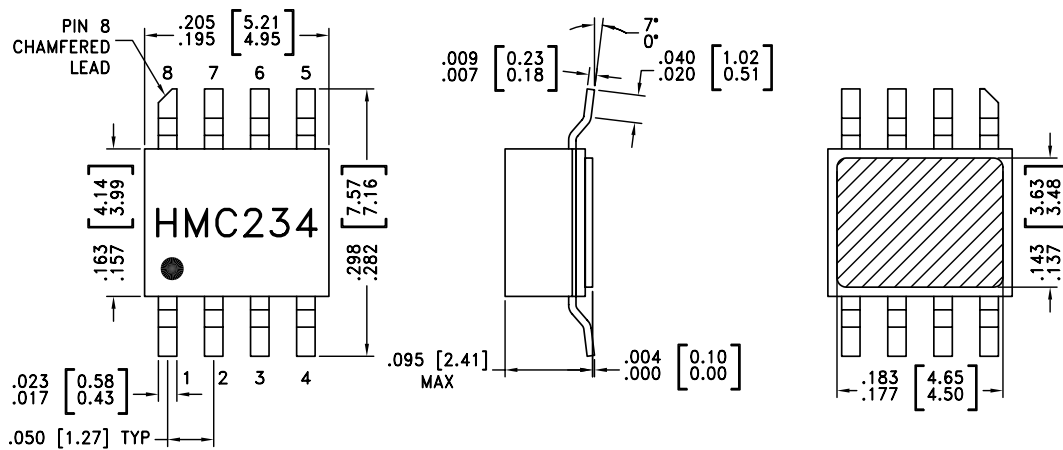
Control Input		Signal Path State	
A	B	RFC to RF1	RFC to RF2
High	Low	ON	OFF
Low	High	OFF	ON

### Absolute Maximum Ratings

RF Input Power (Vctl= -5V) (0.5 - 8 GHz)	+30 dBm (@ +50 °C)
Control Voltage Range (A & B)	+1.0V to -7.5 Vdc
Channel Temperature	150 °C
Thermal Resistance	94 °C/W
Storage Temperature	-65 to +150 °C
Operating Temperature	-40 to +85 °C

Caution: Do not "Hot Switch" power levels greater than +26 dBm (Vctl = 0/-5 Vdc).

### Outline Drawing

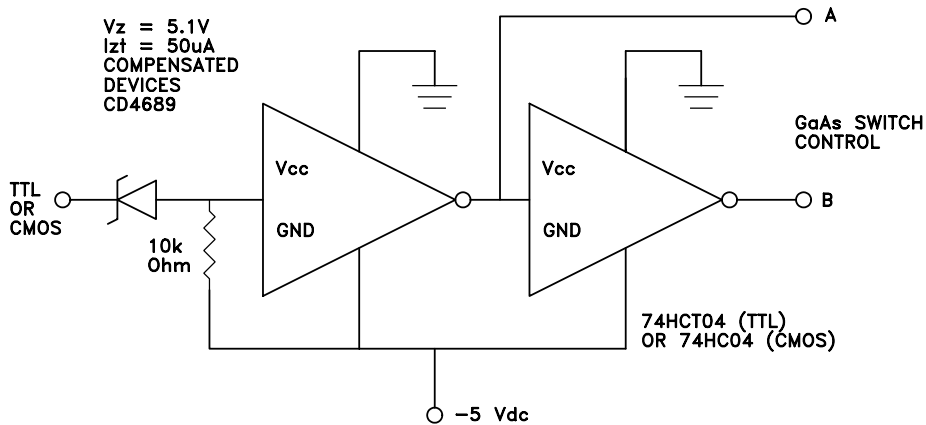


NOTES:


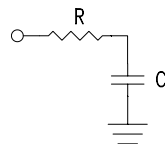
1. PACKAGE BODY MATERIAL: WHITE ALUMINA 92%
2. LEAD, PACKAGE BOTTOM MATERIAL: COPPER
3. PLATING: ELECTROLYTIC GOLD 100-200 MICROINCHES, OVER ELECTROLYTIC NICKEL 100-250 MICROINCHES.
4. DIMENSIONS ARE IN INCHES [MILLIMETERS].
5. PACKAGE LENGTH AND WIDTH DIMENSIONS DO NOT INCLUDE LID SEAL PROTRUSION .005 PER SIDE.
6. ALL GROUND LEADS AND GROUND PADDLE MUST BE SOLDERED TO PCB RF GROUND.

## GaAs MMIC SMT HIGH ISOLATION SPDT SWITCH, DC - 8.0 GHz

### Suggested Driver Circuit

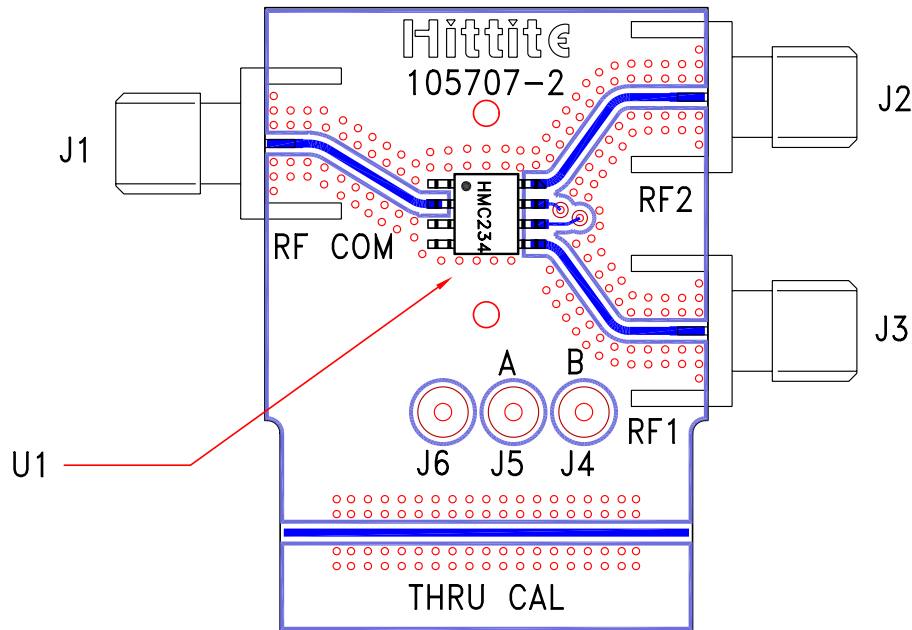


### Pin Descriptions

Pin Number	Function	Description	Interface Schematic
1, 3, 4	GND	Package bottom must also be connected to PCB RF ground.	
2, 5, 8	RFC, RF1, RF2	This pin is DC coupled and matched to 50 Ohm. Blocking capacitors are required if RF line potential is not equal to 0V.	
6	B	See truth table and control voltage table.	
7	A	See truth table and control voltage table.	

## GaAs MMIC SMT HIGH ISOLATION SPDT SWITCH, DC - 8.0 GHz

### Evaluation PCB



### List of Material

Item	Description
J1 - J3	PC Mount SMA RF Connector
J4 - J6	DC Pin
U1	HMC234C8 SPDT Switch
PCB*	105707 Evaluation PCB
* Circuit Board Material: Rogers 4350	

The circuit board used in the final application should be generated with proper RF circuit design techniques. Signal lines at the RF port should have 50 ohm impedance and the package ground leads and package bottom should be connected directly to the ground plane similar to that shown above. The evaluation circuit board shown above is available from Hittite Microwave Corporation upon request.

## ***GaAs MMIC SMT HIGH ISOLATION SPDT SWITCH, DC - 8.0 GHz***

***Notes:***