



Non-Volatile SRAM MODULE 256Kbit (32K x 8-Bit),28Pin DIP, 5V

Part No. HMN328D

GENERAL DESCRIPTION

The HMN328D nonvolatile SRAM is a 262,144-bit static RAM organized as 32,768 bytes by 8 bits.

The HMN328D has a self-contained lithium energy source provide reliable non-volatility coupled with the unlimited write cycles of standard SRAM and integral control circuitry which constantly monitors the single 5V supply for an out-of-tolerance condition. When such a condition occurs, the lithium energy source is automatically switched on to sustain the memory until after V_{CC} returns valid and write protection is unconditionally enabled to prevent garbled data. In addition the SRAM is unconditionally write-protected to prevent an inadvertent write operation. At this time the integral energy source is switched on to sustain the memory until after V_{CC} returns valid.

The HMN328D uses extremely low standby current CMOS SRAM's, coupled with small lithium coin cells to provide non-volatility without long write-cycle times and the write-cycle limitations associated with EEPROM.

FEATURES

- ◆ Access time : 70, 85, , 120, 150 ns
- ◆ High-density design : 256Kbit Design
- ◆ Battery internally isolated until power is applied
- ◆ Industry-standard 28-pin 32K x 8 pinout
- ◆ Unlimited write cycles
- ◆ Data retention in the absence of V_{CC}
- ◆ 10-years minimum data retention in absence of power
- ◆ Automatic write-protection during power-up/power-down cycles
- ◆ Data is automatically protected during power loss
- ◆ Industrial temperature operation

OPTIONS

- ◆ Timing

70 ns

85 ns

120 ns

150 ns

MARKING

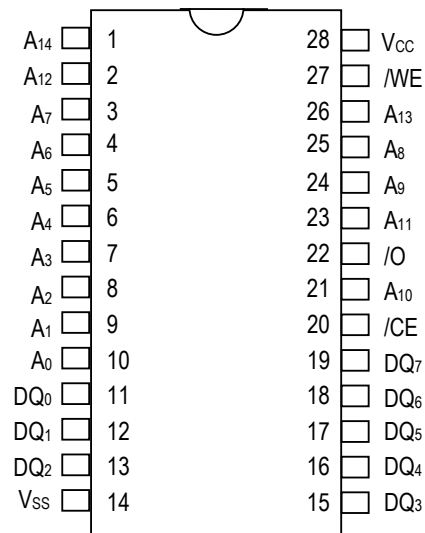
- 70

- 85

-120

-150

PIN ASSIGNMENT



28-pin Encapsulated Package

FUNCTIONAL DESCRIPTION

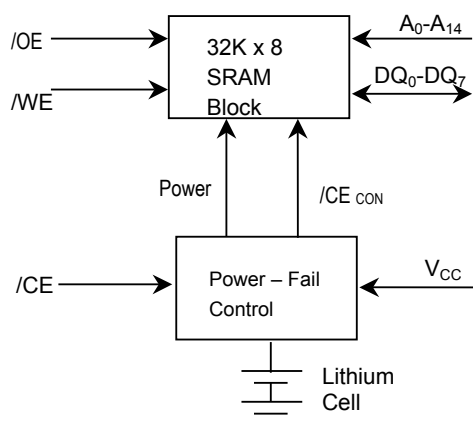
The HMN328D executes a read cycle whenever $/WE$ is inactive(high) and $/CE$ is active(low). The address specified by the address inputs(A_0-A_{14}) defines which of the 32,768 bytes of data is accessed. Valid data will be available to the eight data output drivers within t_{ACC} (access time) after the last address input signal is stable.

When power is valid, the HMN328D operates as a standard CMOS SRAM. During power-down and power-up cycles, the HMN328D acts as a nonvolatile memory, automatically protecting and preserving the memory contents.

The HMN328D is in the write mode whenever the $/WE$ and $/CE$ signals are in the active (low) state after address inputs are stable. The later occurring falling edge of $/CE$ or $/WE$ will determine the start of the write cycle. The write cycle is terminated by the earlier rising edge of $/CE$ or $/WE$. All address inputs must be kept valid throughout the write cycle. $/WE$ must return to the high state for a minimum recovery time (t_{WR}) before another cycle can be initiated. The $/OE$ control signal should be kept inactive (high) during write cycles to avoid bus contention. However, if the output bus been enabled ($/CE$ and $/OE$ active) then WE will disable the outputs in t_{ODW} from its falling edge.

The HMN328D provides full functional capability for V_{CC} greater than 4.5 V and write protects by 4.37 V nominal. Power-down/power-up control circuitry constantly monitors the V_{CC} supply for a power-fail-detect threshold V_{PFD} . When V_{CC} falls below the V_{PFD} threshold, the SRAM automatically write-protects the data. All inputs to the RAM become "don't care" and all outputs are high impedance. As V_{CC} falls below approximately 3 V, the power switching circuit connects the lithium energy source to RAM to retain data. During power-up, when V_{CC} rises above approximately 3.0 volts, the power switching circuit connects external V_{CC} to the RAM and disconnects the lithium energy source. Normal RAM operation can resume after V_{CC} exceeds 4.5 volts.

BLOCK DIAGRAM



PIN DESCRIPTION

A_0-A_{14} : Address Input
$/CE$: Chip Enable
V_{SS} : Ground
DQ_0-DQ_7 : Data In / Data Out
$/WE$: Write Enable
$/OE$: Output Enable
V_{CC} : Power (+5V)
NC : No Connection

TRUTH TABLE

MODE	/OE	/CE	/WE	I/O OPERATION	POWER
Not selected	X	H	X	High Z	Standby
Output disable	H	L	H	High Z	Active
Read	L	L	H	D _{OUT}	Active
Write	X	L	L	D _{IN}	Active

ABSOLUTE MAXIMUM RATINGS

PARAMETER	SYMBOL	RATING	CONDITIONS
DC voltage applied on V _{CC} relative to V _{SS}	V _{CC}	-0.3V to 7.0V	
DC Voltage applied on any pin excluding V _{CC} relative to V _{SS}	V _T	-0.3V to 7.0V	V _T ≤ V _{CC} +0.3
Operating temperature	T _{OPR}	0 to 70°C	Commercial
		-40 to 85°C	Industrial
Storage temperature	T _{STG}	-55°C to 125°C	
Temperature under bias	T _{BIAS}	-40°C to 85°C	
Soldering temperature	T _{SOLDER}	260°C	For 10 second

NOTE: Permanent device damage may occur if Absolute Maximum Ratings are exceeded.

Functional operation should be restricted to the Recommended DC Operating Conditions detailed in this data sheet.

Exposure to higher than recommended voltage for extended periods of time could affect device reliability.

RECOMMENDED DC OPERATING CONDITIONS (T_A = T_{OPR})

PARAMETER	SYMBOL	MIN	TYPICAL	MAX
Supply Voltage	V _{CC}	4.5V	5.0V	5.5V
Ground	V _{SS}	0	0	0
Input high voltage	V _{IH}	2.2	-	V _{CC} +0.3V
Input low voltage	V _{IL}	-0.3	-	0.8V

NOTE: Typical values indicate operation at T_A = 25°C

DC ELECTRICAL CHARACTERISTICS ($T_A = T_{OPR}$, $V_{CCmin} \leq V_{CC} \leq V_{CCmax}$)

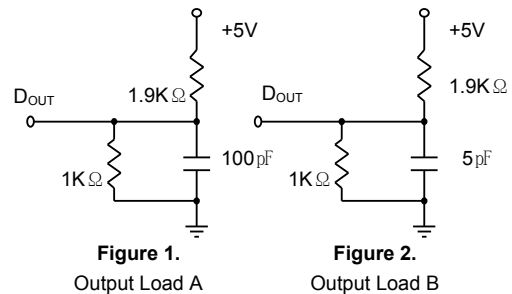
PARAMETER	CONDITIONS	SYMBOL	MIN	TYP.	MAX	UNIT
Input Leakage Current	$V_{IN} = V_{SS}$ to V_{CC}	I_{LI}	-	-	± 1	μA
Output Leakage Current	$/CE = V_{IH}$ or $/OE = V_{IH}$ or $/WE = V_{IL}$	I_{LO}	-	-	± 1	μA
Output high voltage	$I_{OH} = -1.0mA$	V_{OH}	2.4	-	-	V
Output low voltage	$I_{OL} = 2.1mA$	V_{OL}	-	-	0.4	V
Standby supply current	$/CE = V_{IH}$	I_{SB}	-	4	1	mA
Standby supply current	$/CE \geq V_{CC} - 0.2V$, $0V \leq V_{IN} \leq 0.2V$, or $V_{IN} \geq V_{CC} - 0.2V$	I_{SB1}	-	2.5	100	μA
Operating supply current	Min.cycle,duty=100%, $/CE = V_{IL}$, $I_{I/O} = 0mA$	I_{CC}	-	55	15	mA
Power-fail-detect voltage		V_{PFD}	4.30	4.37	4.50	V
Supply switch-over voltage		V_{SO}	-	3	-	V

CAPACITANCE ($T_A = 25^\circ C$, $f = 1MHz$, $V_{CC} = 5.0V$)

DESCRIPTION	CONDITIONS	SYMBOL	MAX	MIN	UNIT
Input Capacitance	Input voltage = 0V	C_{IN}	10	-	pF
Input/Output Capacitance	Output voltage = 0V	$C_{I/O}$	10	-	pF

CHARACTERISTICS (Test Conditions)

PARAMETER	VALUE
Input pulse levels	0 to 3V
Input rise and fall times	5 ns
Input and output timing reference levels	1.5V (unless otherwise specified)
Output load (including scope and jig)	See Figures 1and 2



READ CYCLE ($T_A = T_{OPR}$, $V_{CCmin} \leq V_{CC} \leq V_{CCmax}$)

PARAMETER	SYMBOL	CONDITIONS	-70		-85		-120		-150		UNIT
			MIN	MAX	MIN	MAX	MIN	MAX	MIN	MAX	
Read Cycle Time	t_{RC}		70	-	85	-	120	-	150	-	ns
Address Access Time	t_{ACC}	Output load A	-	70	-	85	-	120	-	150	ns
Chip enable access time	t_{ACE}	Output load A	-	70	-	85	-	120	-	150	ns
Output enable to Output valid	t_{OE}	Output load A	-	35	-	45	-	60	-	70	ns
Chip enable to output in low Z	t_{CLZ}	Output load B	5	-	5	-	5	-	10	-	ns
Output enable to output in low Z	t_{OLZ}	Output load B	5	-	0	-	0	-	5	-	ns
Chip disable to output in high Z	t_{CHZ}	Output load B	0	25	0	35	0	45	0	60	ns
Output disable to output high Z	t_{OHZ}	Output load B	0	25	0	25	0	35	0	50	ns
Output hold from address change	t_{OH}	Output load A	10	-	10	-	10	-	10	-	ns

WRITE CYCLE ($T_A = T_{OPR}$, $V_{CCmin} \leq V_{CC} \leq V_{CCmax}$)

PARAMETER	SYMBOL	CONDITIONS	-70		-85		-120		-150		UNIT
			MIN	MAX	MIN	MAX	MIN	MAX	Min	Max	
Write Cycle Time	t_{WC}		70	-	85	-	120	-	150	-	ns
Chip enable to end of write	t_{CW}	Note 1	65	-	75	-	100	-	100	-	ns
Address setup time	t_{AS}	Note 2	0	-	0	-	0	-	0	-	ns
Address valid to end of write	t_{AW}	Note 1	65	-	75	-	100	-	90	-	ns
Write pulse width	t_{WP}	Note 1	55	-	65	-	85	-	90	-	ns
Write recovery time (write cycle 1)	t_{WR1}	Note 3	5	-	5	-	5	-	5	-	ns
Write recovery time (write cycle 2)	t_{WR2}	Note 3	15	-	15	-	15	-	15	-	ns
Data valid to end of write	t_{DW}		30	-	35	-	45	-	50	-	ns
Data hold time (write cycle 1)	t_{DH1}	Note 4	0	-	0	-	0	-	0	-	ns
Data hold time (write cycle 2)	t_{DH2}	Note 4	10	-	10	-	10	-	0	-	ns
Write enabled to output in high Z	t_{WZ}	Note 5	0	25	0	30	0	40	0	50	ns
Output active from end of write	t_{OW}	Note 5	5	-	0	-	0	-	5	-	ns

NOTE: 1. A write ends at the earlier transition of /CE going high and /WE going high.

2. A write occurs during the overlap of allow /CE and a low /WE. A write begins at the later transition of /CE going low and /WE going low.

3. Either t_{WR1} or t_{WR2} must be met.

4. Either t_{DH1} or t_{DH2} must be met.

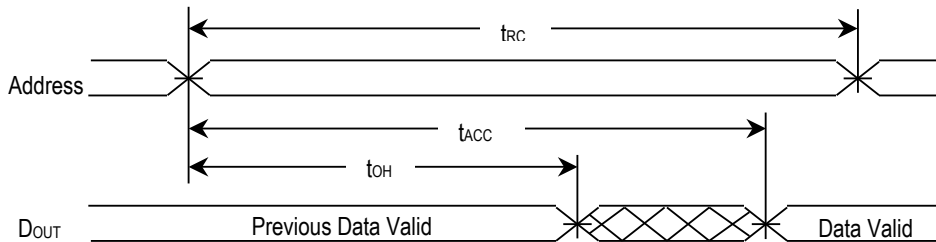
5. If /CE goes low simultaneously with /WE going low or after /WE going low, the outputs remain in high-impedance state.

POWER-DOWN/POWER-UP CYCLE ($T_A = T_{OPR}$, $V_{CC} = 5V$)

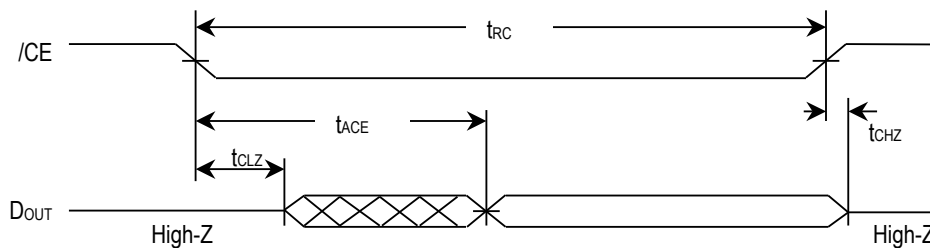
PARAMETER	SYMBOL	CONDITIONS	MIN	TYP.	MAX	UNIT
V_{CC} slew, 4.75 to 4.25V	t_{PF}		300	-	-	μs
V_{CC} slew, 4.75 to V_{SO}	t_{FS}		10	-	-	μs
V_{CC} slew, V_{SO} to V_{PFD} (max)	t_{PU}		0	-	-	μs
Chip enable recovery time	t_{CER}	Time during which SRAM is write-protected after V_{CC} passes V_{PFD} on power-up.	40	80	120	ms
Data-retention time in Absence of V_{CC}	t_{DR}	$T_A = 25^\circ C$	10	-	-	years
Data-retention time in Absence of V_{CC}	t_{DR-N}	$T_A = 25^\circ C$; industrial temperature range (-N) only	6	-	-	years
Write-protect time	t_{WPT}	Delay after V_{CC} slews down past V_{PFD} before SRAM is Write-protected.	40	100	150	μs

TIMING WAVEFORM

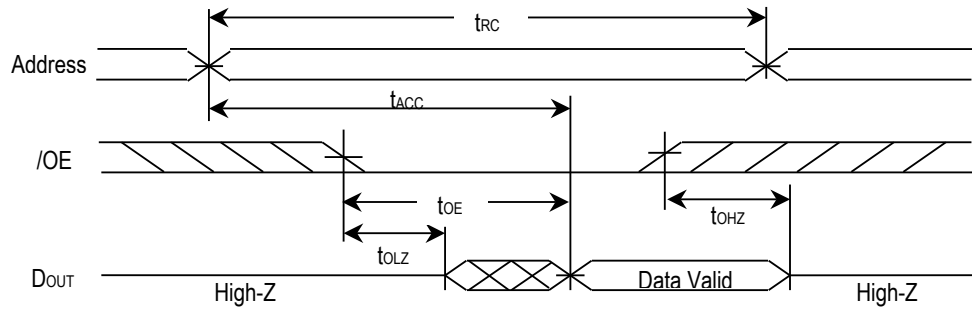
- READ CYCLE NO.1 (Address Access)*1,2



- READ CYCLE NO.2 (/CE Access)*1,3,4

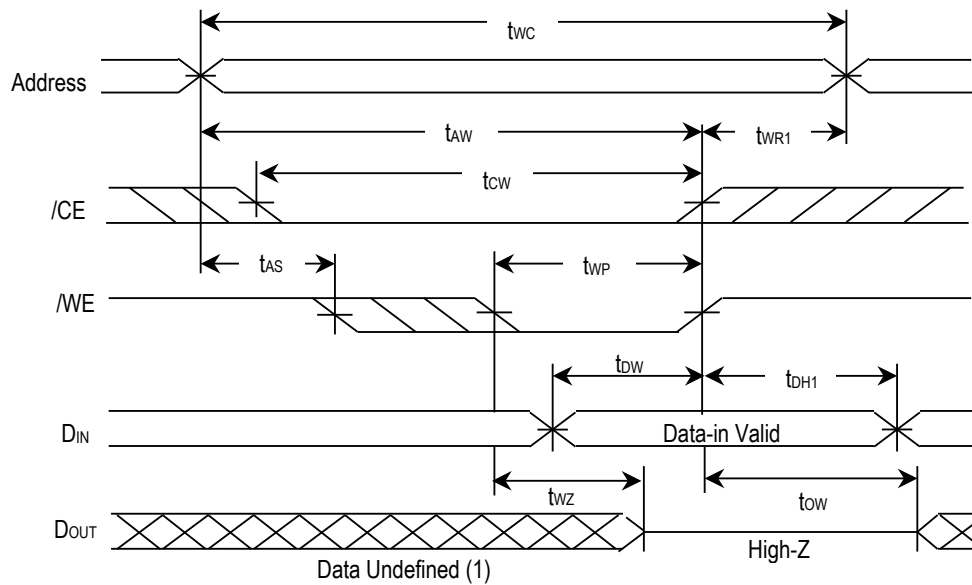


- READ CYCLE NO.3 (/OE Access)^{*1,5}

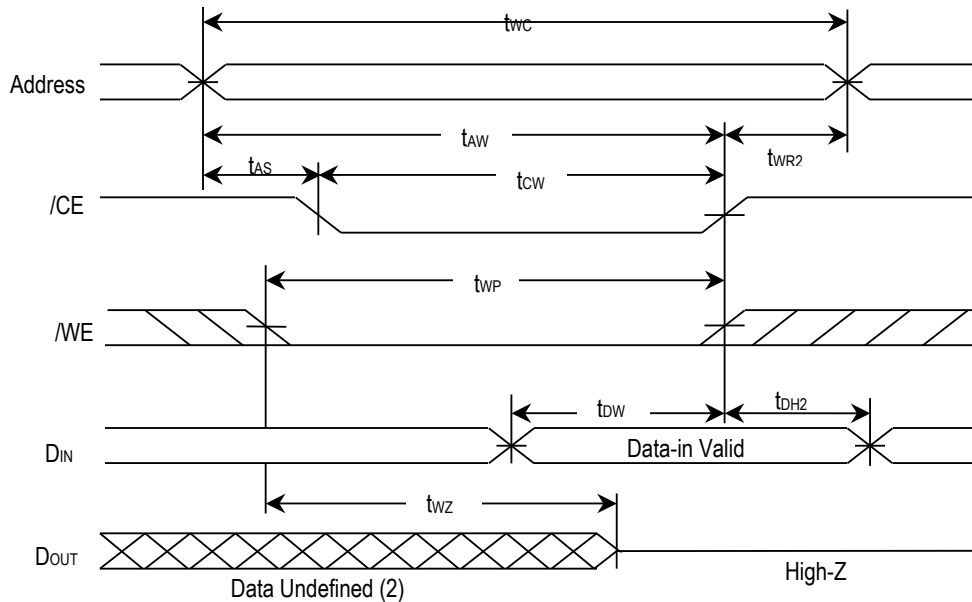


- NOTES:**
1. /WE is held high for a read cycle.
 2. Device is continuously selected: /CE = /OE = V_{IL} .
 3. Address is valid prior to or coincident with CE transition low.
 4. /OE = V_{IL} .
 5. Device is continuously selected: /CE = V_{IL} .

- WRITE CYCLE NO.1 (/WE-Controlled)^{*1,2,3}

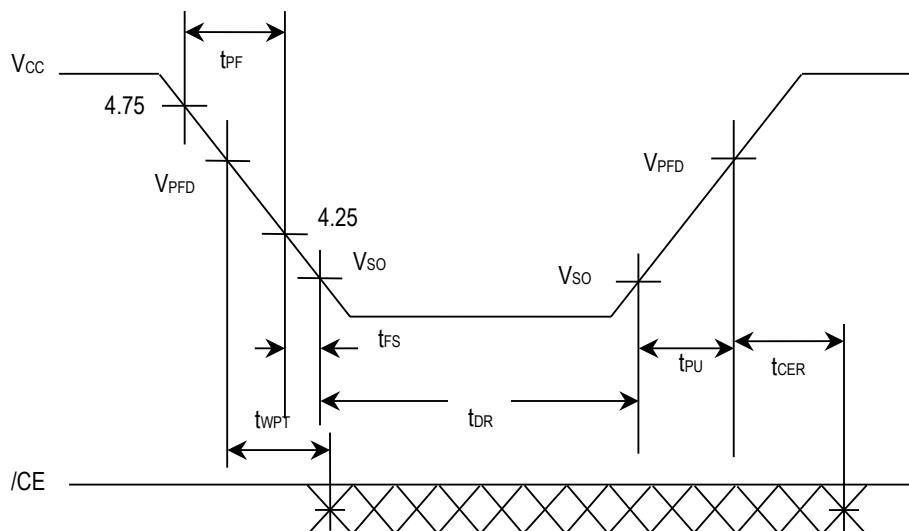


- WRITE CYCLE NO.2 (/CE-Controlled)*1,2,3,4,5



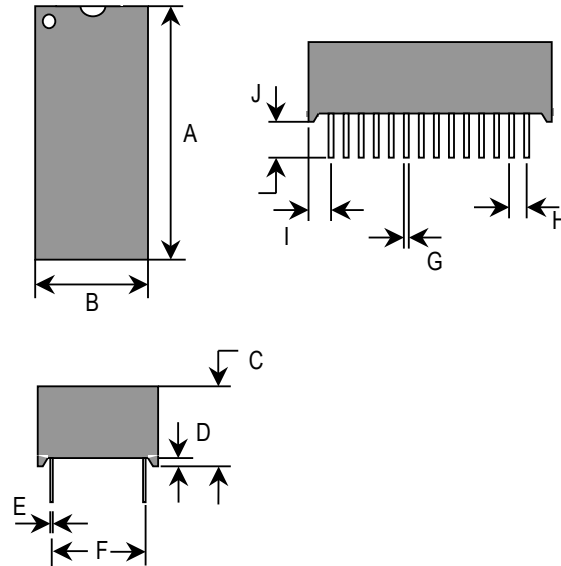
- NOTE :**
1. /CE or /WE must be high during address transition.
 2. Because I/O may be active (/OE low) during this period, data input signals of opposite polarity to the outputs must not be applied.
 3. If /OE is high, the I/O pins remain in a state of high impedance.
 4. Either t_{WR1} or t_{WR2} must be met.
 5. Either t_{DWH1} or t_{DWH2} must be met.

- POWER-DOWN/POWER-UP TIMING



PACKAGE DIMENSION

Dimension	Min	Max
A	1.470	1.500
B	0.710	0.740
C	0.365	0.375
D	0.012	-
E	0.008	0.013
F	0.590	0.630
G	0.017	0.023
H	0.090	0.110
I	0.075	0.110
J	0.120	0.150



ORDERING INFORMATION

