
HN58X2408I/HN58X2416I

HN58X2432I/HN58X2464I

Two-wire serial interface

8k EEPROM (1-kword × 8-bit)/16k EEPROM (2-kword × 8-bit)

32k EEPROM (4-kword × 8-bit)/64k EEPROM (8-kword × 8-bit)

REJ03C0131-0500

Rev. 5.00

Jan.14.2005

Description

HN58X24xxI series are two-wire serial interface EEPROM (Electrically Erasable and Programmable ROM). They realize high speed, low power consumption and a high level of reliability by employing advanced MNOS memory technology and CMOS process and low voltage circuitry technology. They also have a 32-byte page programming function to make their write operation faster.

Note: Renesas Technology's serial EEPROM are authorized for using consumer applications such as cellular phone, camcorders, audio equipment. Therefore, please contact Renesas Technology's sales office before using industrial applications such as automotive systems, embedded controllers, and meters.

Features

- Single supply: 1.8 V to 5.5 V
- Two-wire serial interface (I²C™ serial bus*¹)
- Clock frequency: 400 kHz
- Power dissipation:
 - Standby: 3 μA (max)
 - Active (Read): 1 mA (max)
 - Active (Write): 3 mA (max)
- Automatic page write: 32-byte/page
- Write cycle time: 10 ms (2.7 V to 5.5 V)/15ms (1.8 V to 2.7 V)
- Endurance: 10⁵ Cycles (Page write mode)
- Data retention: 10 Years

HN58X2408I/HN58X2416I/HN58X2432I/HN58X2464I

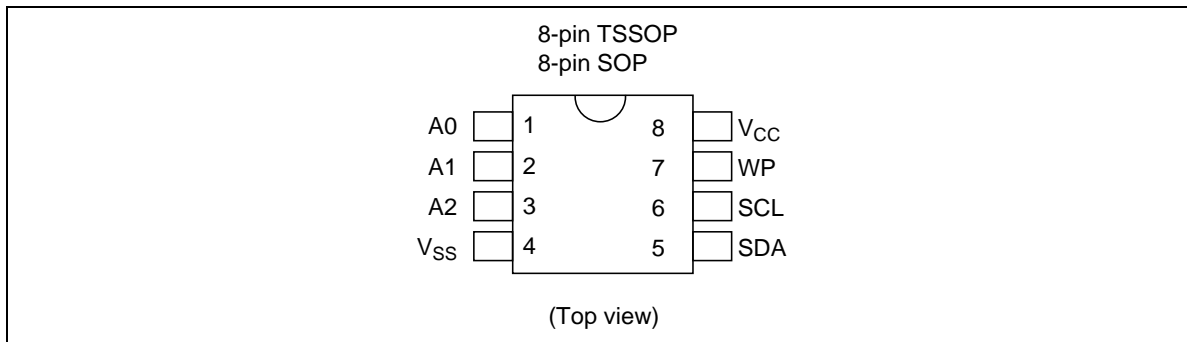
- Small size packages: TSSOP-8pin , SOP-8pin
- Shipping tape and reel
 - TSSOP 8-pin: 3,000 IC/reel
 - SOP 8-pin: 2,500 IC/reel
- Temperature range: -40 to $+85^{\circ}\text{C}$
- Lead free products.

Note: 1. I²C is a trademark of Philips Corporation.

Ordering Information

Type No.	Internal organization	Operating voltage	Frequency	Package
HN58X2408FPIE	8k bit (1024 × 8-bit)	1.8 V to 5.5 V	400 kHz	150 mil 8-pin plastic SOP (FP-8DBV)
HN58X2416FPIE	16k bit (2048 × 8-bit)			
HN58X2432FPIE	32k bit (4096 × 8-bit)			Lead free
HN58X2464FPIE	64k bit (8192 × 8-bit)			
HN58X2408TIE	8k bit (1024 × 8-bit)	1.8 V to 5.5 V	400 kHz	8-pin plastic TSSOP (TTP-8DAV)
HN58X2416TIE	16k bit (2048 × 8-bit)			
HN58X2432TIE	32k bit (4096 × 8-bit)			Lead free
HN58X2464TIE	64k bit (8192 × 8-bit)			

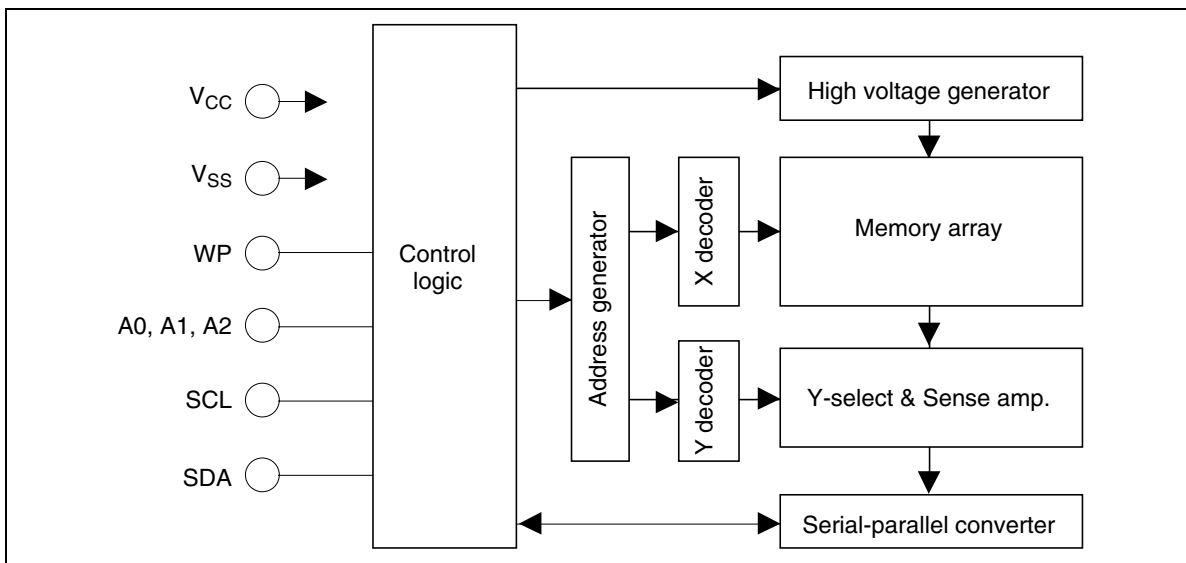
Pin Arrangement



Pin Description

Pin name	Function
A0 to A2	Device address
SCL	Serial clock input
SDA	Serial data input/output
WP	Write protect
V _{CC}	Power supply
V _{SS}	Ground

Block Diagram



Absolute Maximum Ratings

Parameter	Symbol	Value	Unit
Supply voltage relative to V _{SS}	V _{CC}	-0.6 to +7.0	V
Input voltage relative to V _{SS}	V _{in}	-0.5* ² to +7.0* ³	V
Operating temperature range* ¹	T _{opr}	-40 to +85	°C
Storage temperature range	T _{stg}	-65 to +125	°C

Notes: 1. Including electrical characteristics and data retention.

2. V_{in} (min): -3.0 V for pulse width ≤ 50 ns.

3. Should not exceed V_{CC} + 1.0 V.

DC Operating Conditions

Parameter	Symbol	Min	Typ	Max	Unit
Supply voltage	V_{CC}	1.8	—	5.5	V
	V_{SS}	0	0	0	V
Input high voltage	V_{IH}	$V_{CC} \times 0.7$	—	$V_{CC} + 1.0$	V
Input low voltage	V_{IL}	-0.3^{*1}	—	$V_{CC} \times 0.3$	V
Operating temperature	T_{opr}	-40	—	+85	°C

Note: 1. V_{IL} (min): -1.0 V for pulse width ≤ 50 ns.

DC Characteristics (Ta = -40 to +85°C, V_{CC} = 1.8 V to 5.5 V)

Parameter	Symbol	Min	Typ	Max	Unit	Test conditions
Input leakage current	I_{LI}	—	—	2.0	μ A	$V_{CC} = 5.5$ V, $V_{in} = 0$ to 5.5 V
Output leakage current	I_{LO}	—	—	2.0	μ A	$V_{CC} = 5.5$ V, $V_{out} = 0$ to 5.5 V
Standby V_{CC} current	I_{SB}	—	1.0	3.0	μ A	$V_{in} = V_{SS}$ or V_{CC}
Read V_{CC} current	I_{CC1}	—	—	1.0	mA	$V_{CC} = 5.5$ V, Read at 400 kHz
Write V_{CC} current	I_{CC2}	—	—	3.0	mA	$V_{CC} = 5.5$ V, Write at 400 kHz
Output low voltage	V_{OL2}	—	—	0.4	V	$V_{CC} = 4.5$ to 5.5 V, $I_{OL} = 1.6$ mA $V_{CC} = 2.7$ to 4.5 V, $I_{OL} = 0.8$ mA $V_{CC} = 1.8$ to 2.7 V, $I_{OL} = 0.4$ mA
	V_{OL1}	—	—	0.2	V	$V_{CC} = 1.8$ to 2.7 V, $I_{OL} = 0.2$ mA

Capacitance (Ta = +25°C, f = 1 MHz)

Parameter	Symbol	Min	Typ	Max	Unit	Test conditions
Input capacitance (A0 to A2, SCL, WP)	C_{in}^{*1}	—	—	6.0	pF	$V_{in} = 0$ V
Output capacitance (SDA)	C_{IO}^{*1}	—	—	6.0	pF	$V_{out} = 0$ V

Note: 1. This parameter is sampled and not 100% tested.

HN58X2408I/HN58X2416I/HN58X2432I/HN58X2464I

AC Characteristics (Ta = -40 to +85°C, V_{CC} = 1.8 to 5.5 V)

Test Conditions

- Input pulse levels:
 - V_{IL} = 0.2 × V_{CC}
 - V_{IH} = 0.8 × V_{CC}
- Input rise and fall time: ≤ 20 ns
- Input and output timing reference levels: 0.5 × V_{CC}
- Output load: TTL Gate + 100 pF

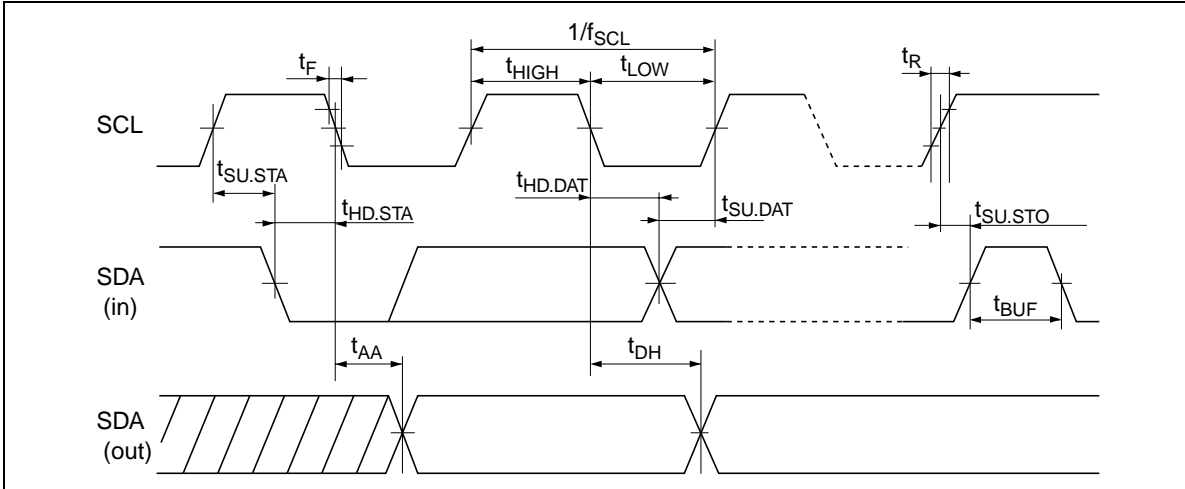
Parameter	Symbol	Min	Typ	Max	Unit	Notes
Clock frequency	f _{SCL}	—	—	400	kHz	
Clock pulse width low	t _{LOW}	1200	—	—	ns	
Clock pulse width high	t _{HIGH}	600	—	—	ns	
Noise suppression time	t _i	—	—	50	ns	1
Access time	t _{AA}	100	—	900	ns	
Bus free time for next mode	t _{BUF}	1200	—	—	ns	
Start hold time	t _{HD.STA}	600	—	—	ns	
Start setup time	t _{SU.STA}	600	—	—	ns	
Data in hold time	t _{HD.DAT}	0	—	—	ns	
Data in setup time	t _{SU.DAT}	100	—	—	ns	
Input rise time	t _R	—	—	300	ns	1
Input fall time	t _F	—	—	300	ns	1
Stop setup time	t _{SU.STO}	600	—	—	ns	
Data out hold time	t _{DH}	50	—	—	ns	
Write cycle time	V _{CC} = 2.7 V to 5.5 V	t _{WC}	—	10	ms	2
	V _{CC} = 1.8 V to 2.7 V	t _{WC}	—	15	ms	2

Notes: 1. This parameter is sampled and not 100% tested.

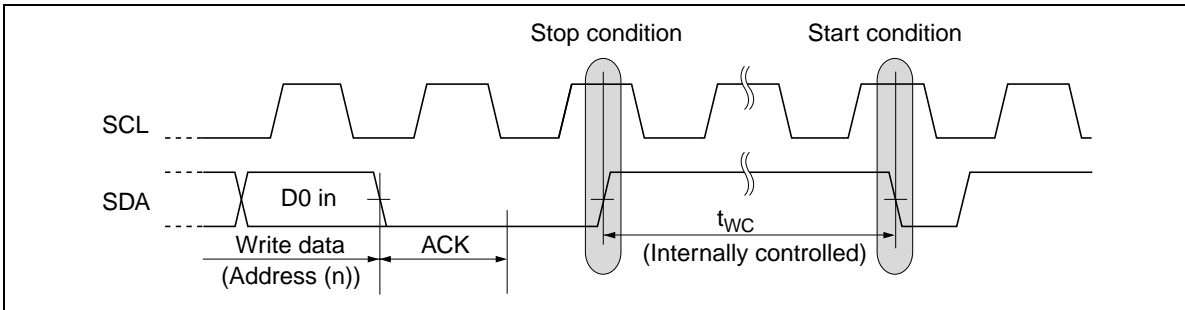
2. t_{WC} is the time from a stop condition to the end of internally controlled write cycle.

Timing Waveforms

Bus Timing



Write Cycle Timing



Pin Function

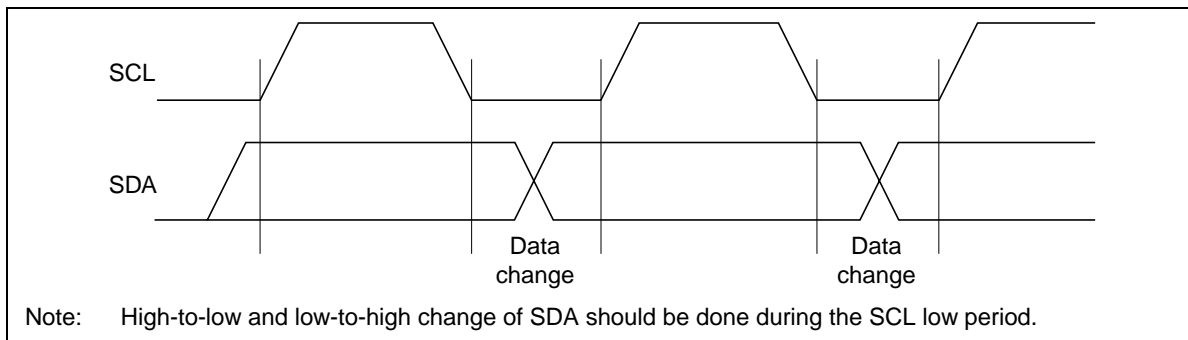
Serial Clock (SCL)

The SCL pin is used to control serial input/output data timing. The SCL input is used to positive edge clock data into EEPROM device and negative edge clock data out of each device. Maximum clock rate is 400 kHz.

Serial Input/Output Data (SDA)

The SDA pin is bidirectional for serial data transfer. The SDA pin needs to be pulled up by resistor as that pin is open-drain driven structure. Use proper resistor value for your system by considering V_{OL} , I_{OL} and the SDA pin capacitance. Except for a start condition and a stop condition which will be discussed later, the SDA transition needs to be completed during the SCL low period.

Data Validity (SDA data change timing waveform)



Device Address (A0, A1, A2)

Eight devices can be wired for one common data bus line as maximum. Device address pins are used to distinguish each device and device address pins should be connected to V_{CC} or V_{SS} . When device address code provided from SDA pin matches corresponding hard-wired device address pins A0 to A2, that one device can be activated. As for 8k to 16k EEPROM, whole or some device address pins don't need to be fixed since device address code provided from the SDA pin is used as memory address signal.

Pin Connections for A0 to A2

Memory size	Max connect number	Pin connection			Notes
		A2	A1	A0	
8k bit	2	$V_{CC}/V_{SS}^* \times^{*2}$	\times	\times	Use A0, A1 for memory address a8 and a9
16k bit	1	\times	\times	\times	Use A0, A1, A2 for memory address a8, a9 and a10
32k bit	8	V_{CC}/V_{SS}	V_{CC}/V_{SS}	V_{CC}/V_{SS}	
64k bit	8	V_{CC}/V_{SS}	V_{CC}/V_{SS}	V_{CC}/V_{SS}	

Notes: 1. " V_{CC}/V_{SS} " means that device address pin should be connected to V_{CC} or V_{SS} .
 2. \times = Don't care (Open is also approval.)

Write Protect (WP)

When the Write Protect pin (WP) is high, the write protection feature is enabled and operates as shown in the following table. When the WP is low, write operation for all memory arrays are allowed. The read operation is always activated irrespective of the WP pin status. WP should be fixed high or low during operations since WP does not provide a latch function.

Write Protect Area

WP pin status	Write protect area			
	8k bit	16k bit	32k bit	64k bit
V_{IH}	Upper 1/2 (4k bit)	Upper 1/2 (8k bit)	Upper 1/4 (8k bit)	Upper 1/4 (16k bit)
V_{IL}	Normal read/write operation			

Functional Description

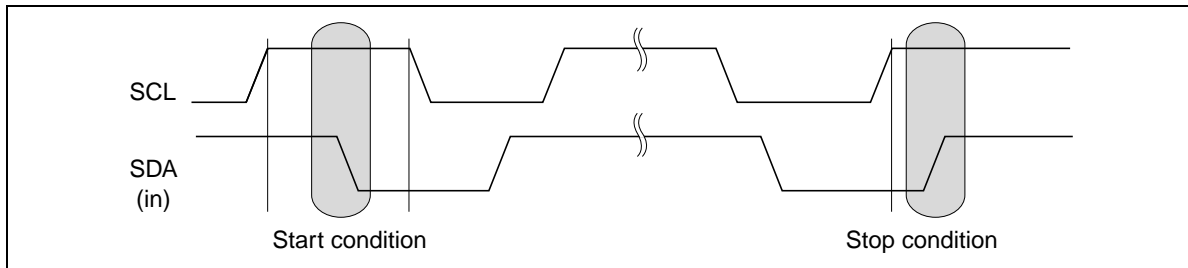
Start Condition

A high-to-low transition of the SDA with the SCL high is needed in order to start read, write operation (See start condition and stop condition).

Stop Condition

A low-to-high transition of the SDA with the SCL high is a stop condition. The stand-by operation starts after a read sequence by a stop condition. In the case of write operation, a stop condition terminates the write data inputs and place the device in a internally-timed write cycle to the memories. After the internally-timed write cycle which is specified as t_{WC} , the device enters a standby mode (See write cycle timing).

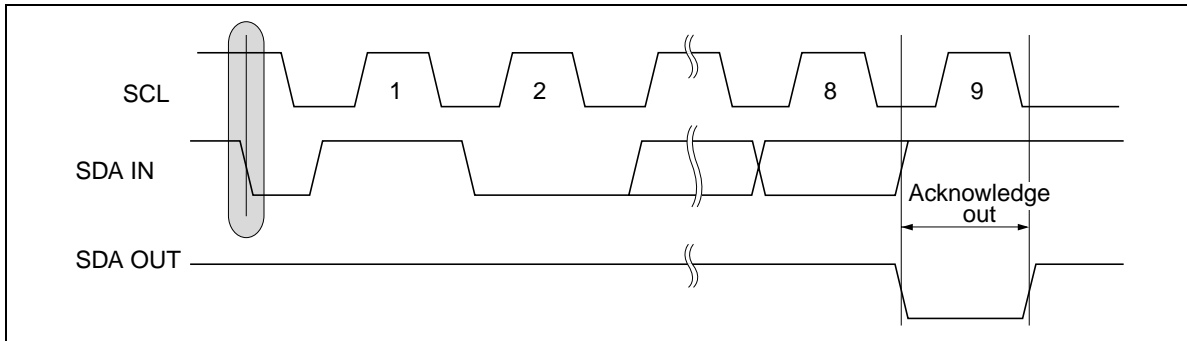
Start Condition and Stop Condition



Acknowledge

All addresses and data words are serially transmitted to and from in 8-bit words. The receiver sends a zero to acknowledge that it has received each word. This happens during ninth clock cycle. The transmitter keeps bus open to receive acknowledgment from the receiver at the ninth clock. In the write operation, EEPROM sends a zero to acknowledge after receiving every 8-bit words. In the read operation, EEPROM sends a zero to acknowledge after receiving the device address word. After sending read data, the EEPROM waits acknowledgment by keeping bus open. If the EEPROM receives zero as an acknowledge, it sends read data of next address. If the EEPROM receives acknowledgment "1" (no acknowledgment) and a following stop condition, it stops the read operation and enters a stand-by mode. If the EEPROM receives neither acknowledgment "0" nor a stop condition, the EEPROM keeps bus open without sending read data.

Acknowledge Timing Waveform



Device Addressing

The EEPROM device requires an 8-bit device address word following a start condition to enable the chip for a read or a write operation. The device address word consists of 4-bit device code, 3-bit device address code and 1-bit read/write(R/W) code. The most significant 4-bit of the device address word are used to distinguish device type and this EEPROM uses “1010” fixed code. The device address word is followed by the 3-bit device address code in the order of A2, A1, A0. The device address code selects one device out of all devices which are connected to the bus. This means that the device is selected if the inputted 3-bit device address code is equal to the corresponding hard-wired A2-A0 pin status. As for the 8kbit and 16kbit EEPROMs, whole or some bits of their device address code may be used as the memory address bits. For example, A0 and A1 are used as a8 and a9 for the 8kbit. The 16kbit doesn't use the device address code instead all 3 bits are used as the memory address bits a8, a9 and a10. The eighth bit of the device address word is the read/write(R/W) bit. A write operation is initiated if this bit is low and a read operation is initiated if this bit is high. Upon a compare of the device address word, the EEPROM enters the read or write operation after outputting the zero as an acknowledge. The EEPROM turns to a stand-by state if the device code is not “1010” or device address code doesn't coincide with status of the correspond hard-wired device address pins A0 to A2.

Device Address Word

Device address word (8-bit)								
	Device code (fixed)				Device address code* ¹			R/W code* ²
32k, 64k	1	0	1	0	A2	A1	A0	R/W
8k	1	0	1	0	A2	a9	a8	R/W
16k	1	0	1	0	a10	a9	a8	R/W

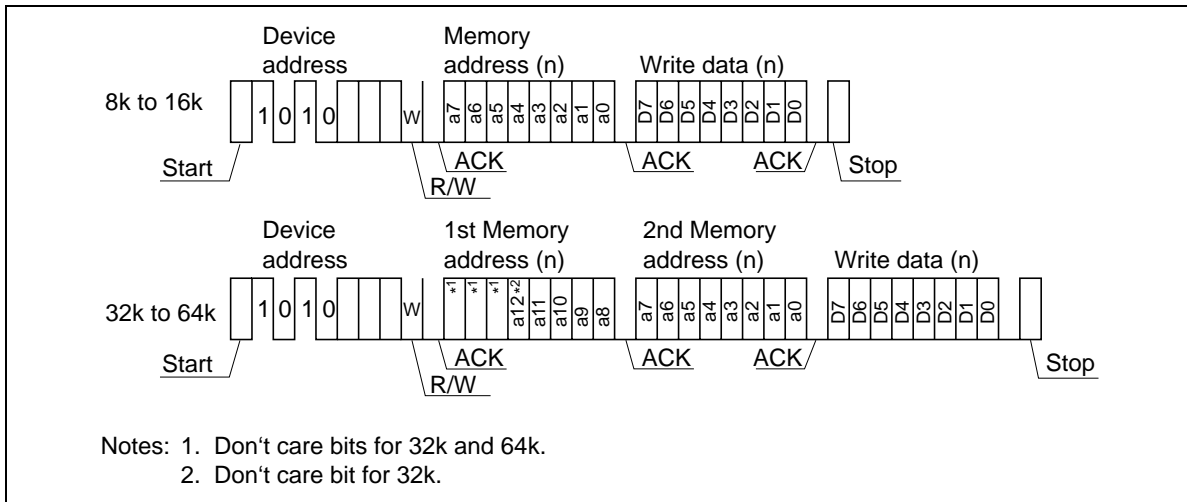
- Notes: 1. A2 to A0 are device address and a10 to a8 are memory address.
2. R/W=“1” is read and R/W = “0” is write.

Write Operations

Byte Write:

A write operation requires an 8-bit device address word with R/W = "0". Then the EEPROM sends acknowledgment "0" at the ninth clock cycle. After these, the 8kbit to 16kbit EEPROMs receive 8-bit memory address word, on the other hand the 32kbit and 64kbit EEPROMs receive 2 sequence 8-bit memory address words. Upon receipt of this memory address, the EEPROM outputs acknowledgment "0" and receives a following 8-bit write data. After receipt of write data, the EEPROM outputs acknowledgment "0". If the EEPROM receives a stop condition, the EEPROM enters an internally-timed write cycle and terminates receipt of SCL, SDA inputs until completion of the write cycle. The EEPROM returns to a standby mode after completion of the write cycle.

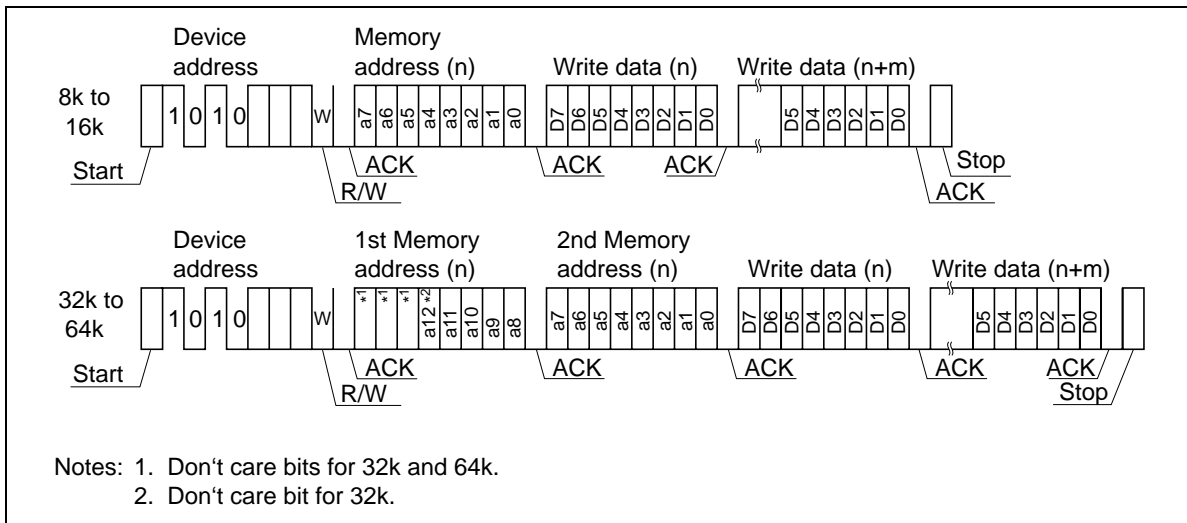
Byte Write Operation



Page Write:

The EEPROM is capable of the page write operation which allows any number of bytes up to 32 bytes to be written in a single write cycle. The page write is the same sequence as the byte write except for inputting the more write data. The page write is initiated by a start condition, device address word, memory address(n) and write data(Dn) with every ninth bit acknowledgment. The EEPROM enters the page write operation if the EEPROM receives more write data(Dn+1) instead of receiving a stop condition. The a0 to a4 address bits are automatically incremented upon receiving write data(Dn+1). The EEPROM can continue to receive write data up to 32 bytes. If the a0 to a4 address bits reaches the last address of the page, the a0 to a4 address bits will roll over to the first address of the same page and previous write data will be overwritten. Upon receiving a stop condition, the EEPROM stops receiving write data and enters internally-timed write cycle.

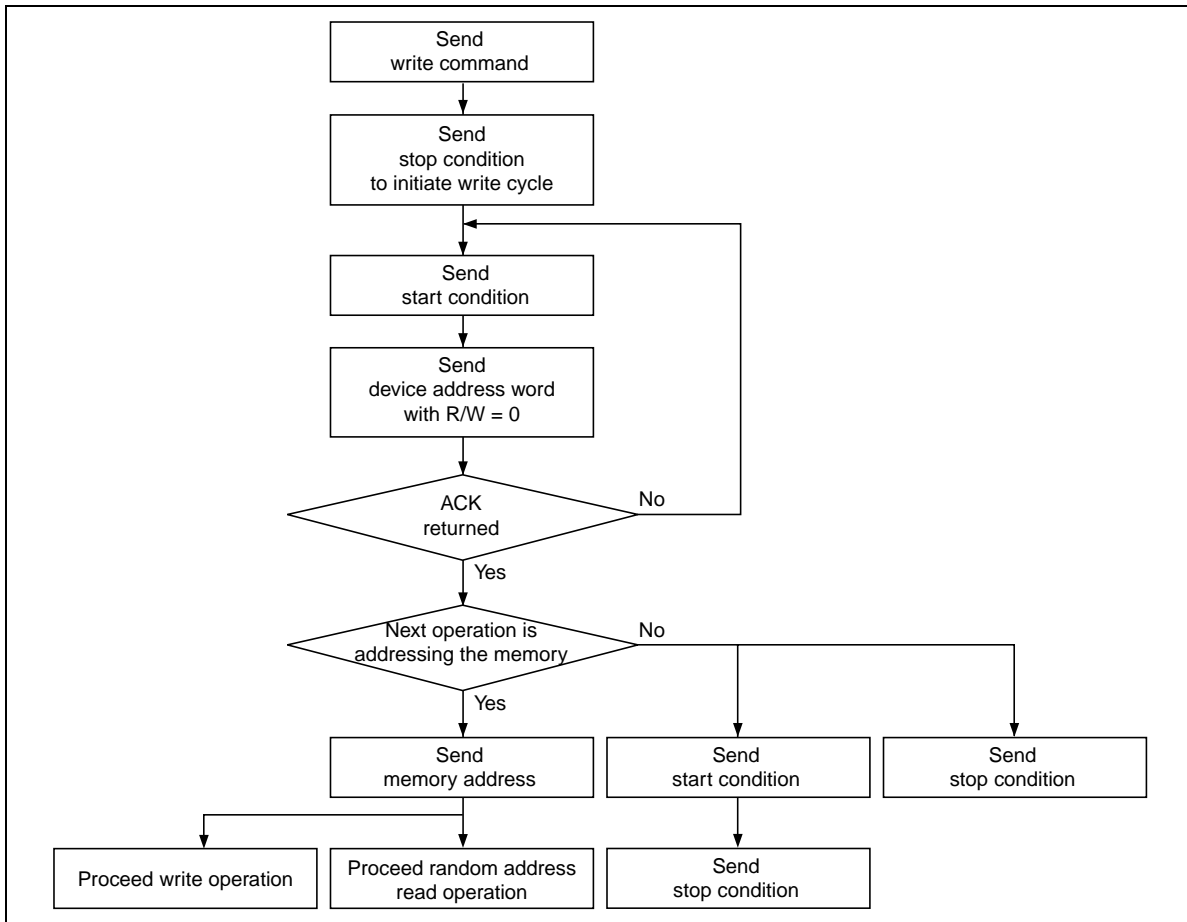
Page Write Operation



Acknowledge Polling:

Acknowledge polling feature is used to show if the EEPROM is in a internally-timed write cycle or not. This feature is initiated by the stop condition after inputting write data. This requires the 8-bit device address word following the start condition during a internally-timed write cycle. Acknowledge polling will operate when the R/W code = "0". Acknowledgment "1" (no acknowledgment) shows the EEPROM is in a internally-timed write cycle and acknowledgment "0" shows that the internally-timed write cycle has completed. See Write Cycle Polling using ACK.

Write Cycle Polling Using ACK



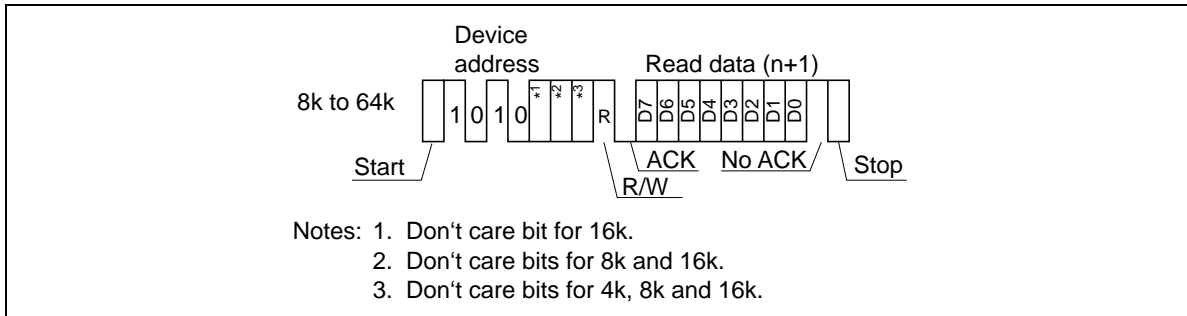
Read Operation

There are three read operations: current address read, random read, and sequential read. Read operations are initiated the same way as write operations with the exception of R/W = "1".

Current Address Read:

The internal address counter maintains the last address accessed during the last read or write operation, with incremented by one. Current address read accesses the address kept by the internal address counter. After receiving a start condition and the device address word (R/W is "1"), the EEPROM outputs the 8-bit current address data from the most significant bit following acknowledgment "0". If the EEPROM receives acknowledgment "1" (no acknowledgment) and a following stop condition, the EEPROM stops the read operation and is turned to a standby state. In case the EEPROM has accessed the last address of the last page at previous read operation, the current address will roll over and returns to zero address. In case the EEPROM has accessed the last address of the page at previous write operation, the current address will roll over within page addressing and returns to the first address in the same page. The current address is valid while power is on. The current address after power on will be indefinite. The random read operation described below is necessary to define the memory address.

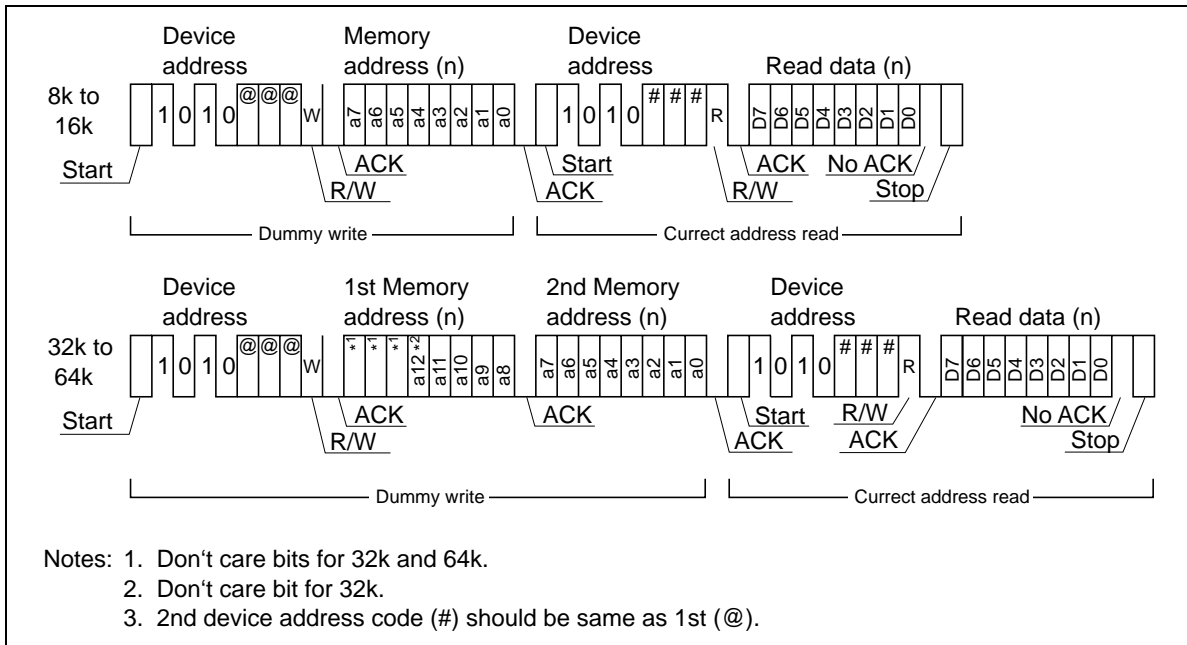
Current Address Read Operation



Random Read:

This is a read operation with defined read address. A random read requires a dummy write to set read address. The EEPROM receives a start condition, device address word(R/W=0) and memory address (8-bit for 8kbit to 16kbit EEPROMs, 2 × 8-bit for 32kbit and 64kbit EEPROMs) sequentially. The EEPROM outputs acknowledgment “0” after receiving memory address then enters a current address read with receiving a start condition. The EEPROM outputs the read data of the address which was defined in the dummy write operation. After receiving acknowledgment “1”(no acknowledgment) and a following stop condition, the EEPROM stops the random read operation and returns to a standby state.

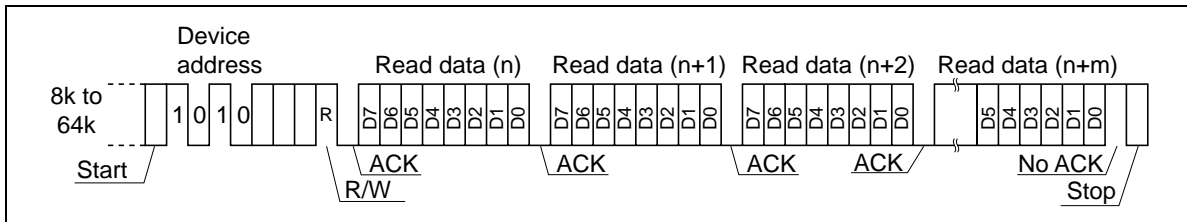
Random Read Operation



Sequential Read:

Sequential reads are initiated by either a current address read or a random read. If the EEPROM receives acknowledgment "0" after 8-bit read data, the read address is incremented and the next 8-bit read data are coming out. This operation can be continued as long as the EEPROM receives acknowledgment "0". The address will roll over and returns address zero if it reaches the last address of the last page. The sequential read can be continued after roll over. The sequential read is terminated if the EEPROM receives acknowledgment "1" (no acknowledgment) and a following stop condition.

Sequential Read Operation



Notes

Data Protection at V_{CC} On/Off

When V_{CC} is turned on or off, noise on the SCL and SDA inputs generated by external circuits (CPU, etc) may act as a trigger and turn the EEPROM to unintentional program mode. To prevent this unintentional programming, this EEPROM has a power on reset function. Be careful of the notices described below in order for the power on reset function to operate correctly.

- SCL and SDA should be fixed to V_{CC} or V_{SS} during V_{CC} on/off. Low to high or high to low transition during V_{CC} on/off may cause the trigger for the unintentional programming.
- V_{CC} should be turned off after the EEPROM is placed in a standby state.
- V_{CC} should be turned on from the ground level(V_{SS}) in order for the EEPROM not to enter the unintentional programming mode.
- V_{CC} turn on speed should be longer than 10 μs.

Write/Erase Endurance and Data Retention Time

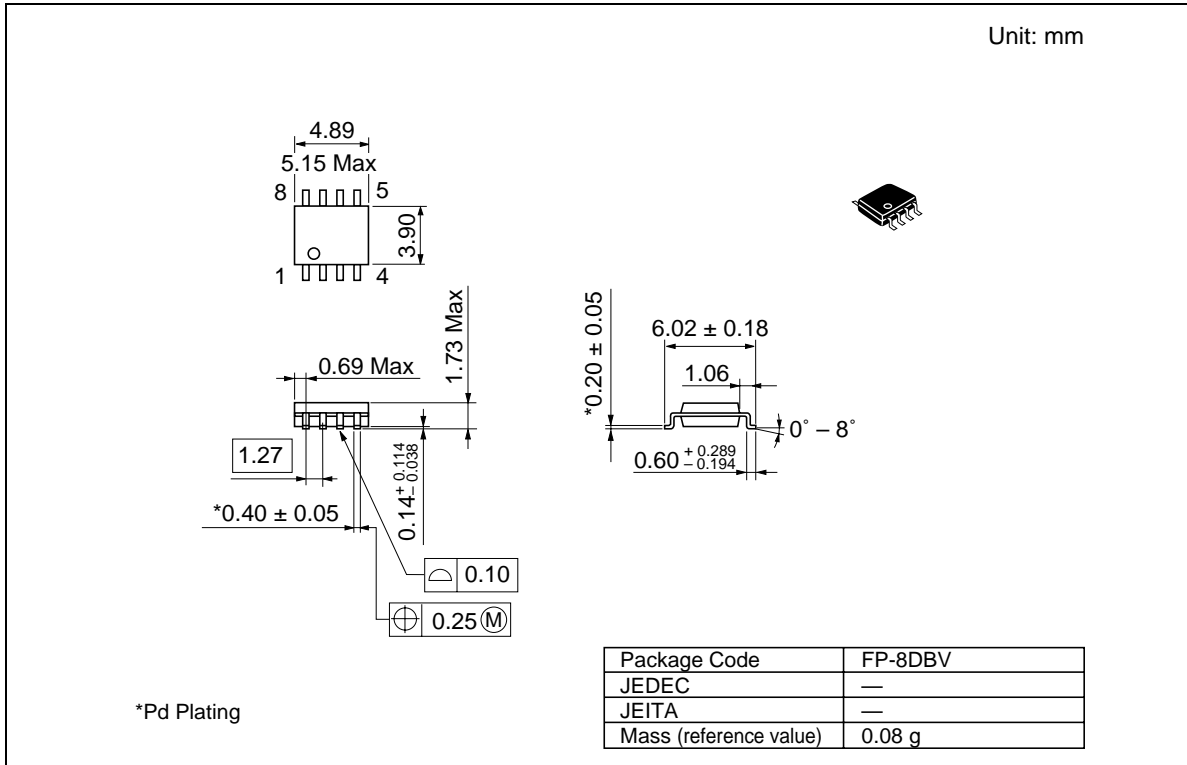
The endurance is 10⁵ cycles in case of page programming and 10⁴ cycles in case of byte programming (1% cumulative failure rate). The data retention time is more than 10 years when a device is page-programmed less than 10⁴ cycles.

Noise Suppression Time

This EEPROM have a noise suppression function at SCL and SDA inputs, that cut noise of width less than 50 ns. Be careful not to allow noise of width more than 50 ns.

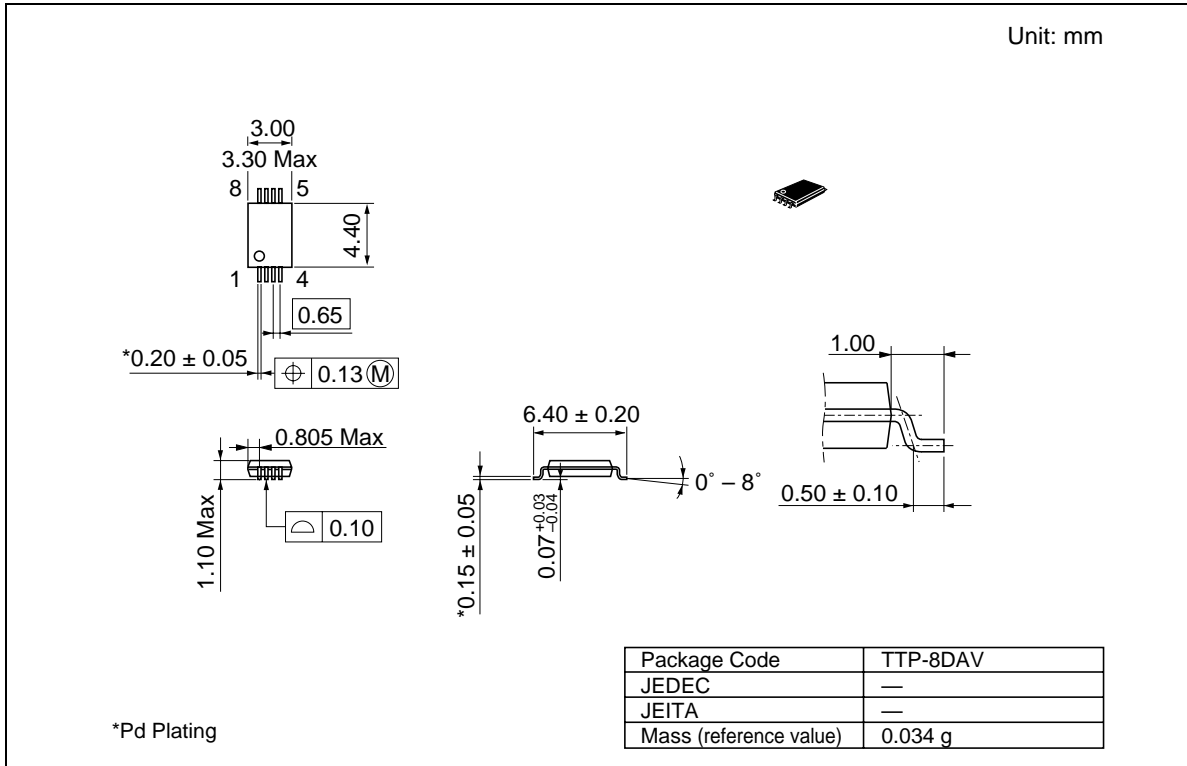
Package Dimensions

HN58X2408FPIE/HN58X2416FPIE/HN58X2432FPIE/HN58X2464FPIE (FP-8DBV)



HN58X2408I/HN58X2416I/HN58X2432I/HN58X2464I

HN58X2408TIE/HN58X2416TIE/HN58X2432TIE/HN58X2464TIE (TTP-8DAV)



Revision History

HN58X2408I/HN58X2416I/HN58X2432I/HN58X2464I Data Sheet

Rev.	Date	Contents of Modification	
		Page	Description
1.0	Aug. 26, 1999	—	Initial issue
2.0	Nov. 26, 1999	—	Addition of Note
		1	Features Addition of contents for "Shipping tape and reel" and "Temperature range"
		19	Change of package code: TTP-8D to TTP-8DA
3.0	Aug. 9, 2002	1	Features: Small size package, Shipping tape and reel
			Addition of SON 8-pin
		2	Ordering Information: Addition of HN58X2416NIR
		20	Package Dimensions: Addition of TNP-8DA
4.00	Oct. 21, 2003	—	Change format issued by Renesas Technology Corp.
		2	Ordering Information Addition of HN58X2408FPIE, HN58X2416FPIE, HN58X2432FPIE, HN58X2464FPIE, HN58X2408TIE, HN58X2416TIE, HN58X2432TIE, HN58X2464TIE, HN58X2416NIRE
		19	Package Dimensions FP-8DB to FP-8DB, FP-8DBV TTP-8DA to TTP-8DA, TTP-8DAV TNP-8DA to TNP-8DA, FP-8DAV
5.00	Jan.14.2005	—	Deletion of package : SON (TNP-8DA, TNP-8DAV)
		2	Ordering Information Deletion of HN58X2408FPI, HN58X2416FPI, HN58X2432FPI, HN58X2464FPI, HN58X2408TI, HN58X2416TI, HN58X2432TI, HN58X2464TI
		19-20	Package Dimensions Deletion of FP-8DB, TTP-8DA

Renesas Technology Corp. Sales Strategic Planning Div. Nippon Bldg., 2-6-2, Ohte-machi, Chiyoda-ku, Tokyo 100-0004, Japan

Keep safety first in your circuit designs!

1. Renesas Technology Corp. puts the maximum effort into making semiconductor products better and more reliable, but there is always the possibility that trouble may occur with them. Trouble with semiconductors may lead to personal injury, fire or property damage.
Remember to give due consideration to safety when making your circuit designs, with appropriate measures such as (i) placement of substitutive, auxiliary circuits, (ii) use of nonflammable material or (iii) prevention against any malfunction or mishap.

Notes regarding these materials

1. These materials are intended as a reference to assist our customers in the selection of the Renesas Technology Corp. product best suited to the customer's application; they do not convey any license under any intellectual property rights, or any other rights, belonging to Renesas Technology Corp. or a third party.
 2. Renesas Technology Corp. assumes no responsibility for any damage, or infringement of any third-party's rights, originating in the use of any product data, diagrams, charts, programs, algorithms, or circuit application examples contained in these materials.
 3. All information contained in these materials, including product data, diagrams, charts, programs and algorithms represents information on products at the time of publication of these materials, and are subject to change by Renesas Technology Corp. without notice due to product improvements or other reasons. It is therefore recommended that customers contact Renesas Technology Corp. or an authorized Renesas Technology Corp. product distributor for the latest product information before purchasing a product listed herein.
The information described here may contain technical inaccuracies or typographical errors.
Renesas Technology Corp. assumes no responsibility for any damage, liability, or other loss rising from these inaccuracies or errors.
Please also pay attention to information published by Renesas Technology Corp. by various means, including the Renesas Technology Corp. Semiconductor home page (<http://www.renesas.com>).
 4. When using any or all of the information contained in these materials, including product data, diagrams, charts, programs, and algorithms, please be sure to evaluate all information as a total system before making a final decision on the applicability of the information and products. Renesas Technology Corp. assumes no responsibility for any damage, liability or other loss resulting from the information contained herein.
 5. Renesas Technology Corp. semiconductors are not designed or manufactured for use in a device or system that is used under circumstances in which human life is potentially at stake. Please contact Renesas Technology Corp. or an authorized Renesas Technology Corp. product distributor when considering the use of a product contained herein for any specific purposes, such as apparatus or systems for transportation, vehicular, medical, aerospace, nuclear, or undersea repeater use.
 6. The prior written approval of Renesas Technology Corp. is necessary to reprint or reproduce in whole or in part these materials.
 7. If these products or technologies are subject to the Japanese export control restrictions, they must be exported under a license from the Japanese government and cannot be imported into a country other than the approved destination.
Any diversion or reexport contrary to the export control laws and regulations of Japan and/or the country of destination is prohibited.
 8. Please contact Renesas Technology Corp. for further details on these materials or the products contained therein.
-



RENESAS SALES OFFICES

<http://www.renesas.com>

Refer to "<http://www.renesas.com/en/network>" for the latest and detailed information.

Renesas Technology America, Inc.

450 Holger Way, San Jose, CA 95134-1368, U.S.A
Tel: <1> (408) 382-7500, Fax: <1> (408) 382-7501

Renesas Technology Europe Limited

Dukes Meadow, Millboard Road, Bourne End, Buckinghamshire, SL8 5FH, U.K.
Tel: <44> (1628) 585-100, Fax: <44> (1628) 585-900

Renesas Technology Hong Kong Ltd.

7th Floor, North Tower, World Finance Centre, Harbour City, 1 Canton Road, Tsimshatsui, Kowloon, Hong Kong
Tel: <852> 2265-6688, Fax: <852> 2730-6071

Renesas Technology Taiwan Co., Ltd.

10th Floor, No.99, Fushing North Road, Taipei, Taiwan
Tel: <886> (2) 2715-2888, Fax: <886> (2) 2713-2999

Renesas Technology (Shanghai) Co., Ltd.

Unit2607 Ruijing Building, No.205 Maoming Road (S), Shanghai 200020, China
Tel: <86> (21) 6472-1001, Fax: <86> (21) 6415-2952

Renesas Technology Singapore Pte. Ltd.

1 Harbour Front Avenue, #06-10, Keppel Bay Tower, Singapore 098632
Tel: <65> 6213-0200, Fax: <65> 6278-8001