

**NOT RECOMMENDED FOR NEW DESIGNS**  
 See HS-1840ARH or  
 contact our Technical Support Center at  
 1-888-INTERSIL or www.intersil.com/tsc

September

## Rad-Hard 16 Channel CMOS Analog Multiplexer with High-Z Analog Input Protection

### Features

- This Circuit is Processed in Accordance to Mil-Std-883 and is Fully Conformant Under the Provisions of Paragraph 1.2.1.
- Radiation Environment
  - Gamma Rate ( $\dot{\gamma}$ )  $1 \times 10^8$  RAD(Si)/s
  - Gamma Dose ( $\dot{\gamma}$ )  $2 \times 10^5$  RAD(Si)
- Low Power Consumption
- Fast Access Time 1000ns
- High Analog Input Impedance  $500M\Omega$  During Power Loss (Open)
- Dielectrically Isolated Device Islands
- Excellent In Hi-Rel Redundant Systems
- Break-Before-Make Switching
- No Latch-Up

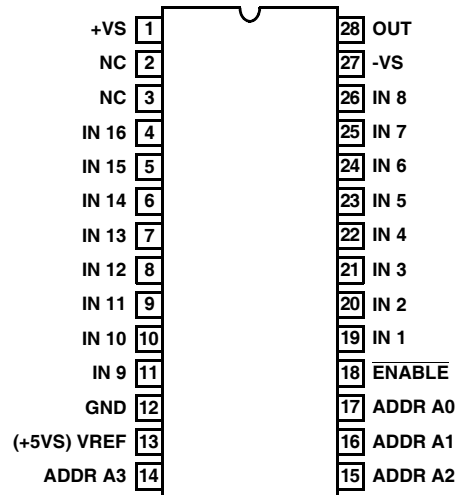
### Description

The HS-1840RH/883S is a radiation hardened, monolithic 16 channel multiplexer constructed with the Intersil Linear Dielectric Isolation CMOS process. It is designed to provide a high input impedance to the analog source if device power fails (open) or the analog signal voltage inadvertently exceeds the supply rails during powered operation. Excellent for use in redundant applications, since the secondary device can be operated in a standby unpowered mode affording no additional power drain. More significantly, a very high impedance exists between the active and inactive devices preventing any interaction. One of sixteen channel selection is controlled by a 4-bit binary address plus an Enable-Inhibit input which conveniently controls the ON/OFF operation of several multiplexers in a system. All digital inputs have electrostatic discharge protection.

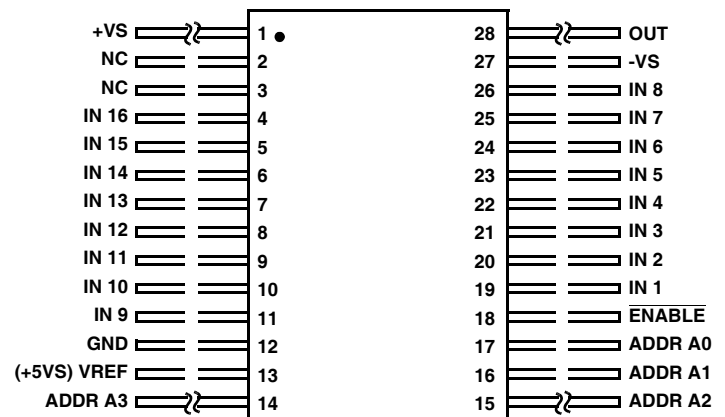
The HS-1840RH/883S has been specifically designed to meet exposure to radiation environments. It is available in a 28 pin Ceramic Sidebrazed dual-in-line package and 28 pin Ceramic Flatpack. It is guaranteed operational from  $-55^{\circ}C$  to  $+125^{\circ}C$ .

### Pinouts

HS1-1840RH/883S 28 PIN CERAMIC SIDEBRAZE DIP  
 CASE OUTLINE D-10, COMPLIANT TO MIL-M-38510 PACKAGE  
 TOP VIEW

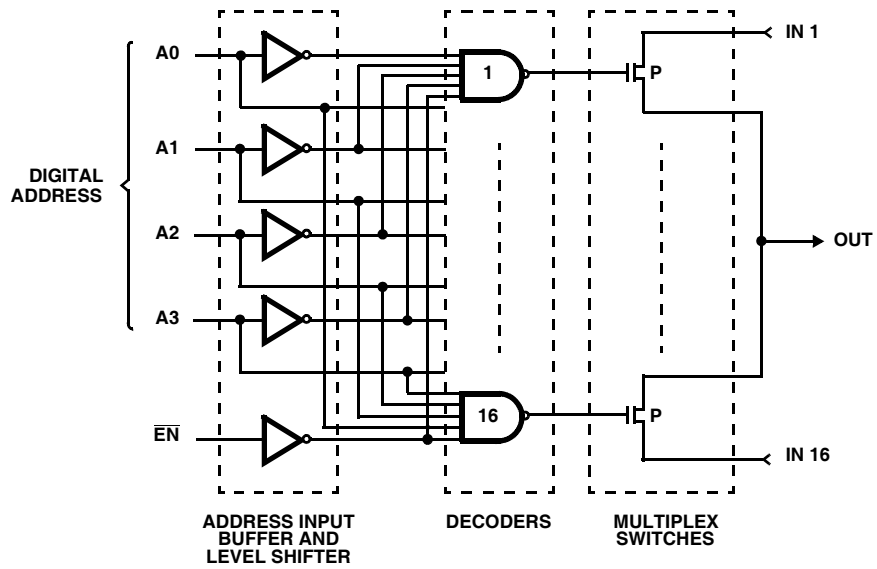


HS9-1840RH/883S 28 PIN CERAMIC SIDEBRAZE FLATPACK  
 CASE OUTLINE F-11A, COMPLIANT TO MIL-M-38510 PACKAGE  
 TOP VIEW



## HS-1840RH/883S

### Functional Diagram



### Truth Table

A3	A2	A1	A0	EN	"ON" CHANNEL
X	X	X	X	H	None
L	L	L	L	L	1
L	L	L	H	L	2
L	L	H	L	L	3
L	L	H	H	L	4
L	H	L	L	L	5
L	H	L	H	L	6
L	H	H	L	L	7
L	H	H	H	L	8
H	L	L	L	L	9
H	L	L	H	L	10
H	L	H	L	L	11
H	L	H	H	L	12
H	H	L	L	L	13
H	H	L	H	L	14
H	H	H	L	L	15
H	H	H	H	L	16

## Specifications HS-1840RH/883S

### Absolute Maximum Ratings

Supply Voltage Between Pins 1 and 27	+40V
+VSUPPLY to Ground	+20V
-VSUPPLY to Ground	-20V
VREF to Ground	+20V
Analog input Overvoltage:	
+VS	+25V (Power On/Off)
-VS	-25V (Power On)
Digital Input Overvoltage:	
+VEN, +VA	VREF +4V
-VEN, -VA	GND -4V
Storage Temperature Range	-65°C to +150°C
Junction Temperature	+175°C
Lead Temperature (Soldering 10s)	+275°

### Reliability Information

Thermal Resistance	$\theta_{JA}$	$\theta_{JC}$
Sidebrazed Package	83.1°C/W	19.1°C/W
Flatpack Package	49.1°C/W	16.5°C/W
Total Power Dissipation*:		
Sidebrazed DIP Package	1600mW	
Ceramic Flatpack Package	1400mW	
ESD Classification	Class 1	

\* For DIP Derate 20.4mW/°C above T<sub>A</sub> = +95°C  
 For Flatpack Derate 18.5mW/°C above T<sub>A</sub> = +95°C

*CAUTION: Stresses above those listed in "Absolute Maximum Ratings" may cause permanent damage to the device. This is a stress only rating and operation of the device at these or any other conditions above those indicated in the operational sections of this specification is not implied.*

### Operating Conditions

Operating Supply Voltage (±VSUPPLY)	±15V	Logic Low Level (VAL)	+0.8V
Operating Temperature Range	-55°C to +125°C	Logic High Level (VAH)	+4.0V
VREF (Pin 13)	+5V		

**TABLE 1. DC ELECTRICAL PERFORMANCE CHARACTERISTICS**

Device Guaranteed and 100% Tested. Unless Otherwise Specified: V<sub>-</sub> = -15V, V<sub>+</sub> = +15V, VREF = +5V, VAH = +4.0V, VAL = 0.8V

PARAMETER	SYMBOL	CONDITIONS	GROUP A SUBGROUPS	TEMPERATURE	LIMITS		UNITS
					MIN	MAX	
Analog Signal Range	VS		7, 8A, 8B	-55°C, +25°C, +125°C	-5	+15	V
Input Leakage Current, Address, or Enable Pins	IAH IAL	Measure Inputs Sequentially Ground All Unused Pins VAL = 0.8V, VAH = 4.0V	1, 2, 3	-55°C, +25°C, +125°C	-1000	1000	nA
Leakage Current Into the Source Terminal of an "Off" Switch	+IS(OFF)	VS = +10V, All Unused Inputs and Output = -10V, VEN = 4V	1	+25°C	-10	10	nA
			2, 3	+125°C, -55°C	-100	100	nA
	-IS(OFF)	VS = -10V, All Unused Inputs, Output = +10V, VEN = 4V	1	+25°C	-10	10	nA
			2, 3	+125°C, -55°C	-100	100	nA
Leakage Current into the Source Terminal of an "Off" Switch With Power "Off"	+IS(OFF) Power Off	V <sub>+</sub> , V <sub>-</sub> , VREF, A0, A1, A2, A3, A4, EN = GND, Unused Inputs Tied to GND, VS = +25V	1	+25°C	-50	50	nA
			2, 3	+125°C, -55°C	-100	100	nA
Leakage Current Into the Source Terminal of an "Off" Switch With Overvoltage Applied	+IS(OFF) Overvoltage	VS = +25V, VD = 0V, VEN = 4V All Unused Inputs Tied to GND	1, 2, 3	-55°C, +25°C, +125°C	-1000	1000	nA
	-IS(OFF) Overvoltage	VS = -25V, VD = 0V, VEN = 4V All Unused Inputs Tied to GND	1, 2, 3	-55°C, +25°C, +125°C	-1000	1000	nA
Leakage Current Into the Drain Terminal of an "Off" Switch	+ID(OFF)	VD = +10V, VEN = 4V All Unused Inputs = -10V	1	+25°C	-10	10	nA
			2, 3	+125°C, -55°C	-100	100	nA
	-ID(OFF)	VD = -10V, VEN = 4V All Unused Inputs = +10V	1	+25°C	-10	10	nA
			2, 3	+125°C, -55°C	-100	100	nA
Leakage Current Into the Drain Terminal of an "Off" Switch With Overvoltage Applied	+ID(OFF) Overvoltage	VS = +25V, Measure VD, VEN = 4V, All Unused Inputs to GND	1, 2, 3	-55°C, +25°C, +125°C	-1000	1000	nA
	-ID(OFF) Overvoltage	VS = -25V, Measure VD, All Unused Inputs to GND	1, 2, 3	-55°C, +25°C, +125°C	-1000	1000	nA

## Specifications HS-1840RH/883S

**TABLE 1. DC ELECTRICAL PERFORMANCE CHARACTERISTICS (Continued)**

Device Guaranteed and 100% Tested. Unless Otherwise Specified: V- = -15V, V+ = +15V, VREF = +5V, VAH = +4.0V, VAL = 0.8V

PARAMETER	SYMBOL	CONDITIONS	GROUP A SUBGROUPS	TEMPERATURE	LIMITS		UNITS
					MIN	MAX	
Leakage Current from an "On" Driver into the Switch (Drain & Source)	+ID(ON)	VS = +10V, VD = +10V, VEN = 0.8V All unused inputs = -10V	1	+25°C	-10	10	nA
			2, 3	+125°C, -55°C	-100	100	nA
	-ID(ON)	VS = -10V, VD = -10V, VEN = 0.8V, All Unused Inputs = +10V	1	+25°C	-10	10	nA
			2, 3	+125°C, -55°C	-100	100	nA
Switch On Resistance	+15V R(ON)	VS = +15V, ID = -1mA, VEN = 0.8V	1, 2, 3	-55°C, +25°C, +125°C	50	1000	Ω
	-5V R(ON)	VS = -5V, ID = +1mA, VEN = 0.8V	1, 2, 3	-55°C, +25°C, +125°C	50	4000	Ω
	+5V R(ON)	VS = +5V, ID = -1mA, VEN = 0.8V	1, 2, 3	-55°C, +25°C, +125°C	50	2500	Ω
Positive Supply Current	I(+)	VEN = 0.8V	1, 2, 3	-55°C, +25°C, +125°C	-	0.5	mA
Negative Supply Current	I(-)	VEN = 0.8V	1, 2, 3	-55°C, +25°C, +125°C	-0.5	-	mA
Positive Standby Supply Current	+ISBY	VEN = 4.0V	1, 2, 3	-55°C, +25°C, +125°C	-	0.5	mA
Negative Standby Supply Current	-ISBY	VEN = 4.0V	1, 2, 3	-55°C, +25°C, +125°C	-0.5	-	mA

**TABLE 2. AC ELECTRICAL PERFORMANCE CHARACTERISTICS**

Device Guaranteed and 100% Tested. Unless Otherwise Specified: V- = -15V, V+ = +15V, VREF = +5V, VAH = +4.0V, VAL = 0.8V

PARAMETER	SYMBOL	CONDITIONS	GROUP A SUBGROUPS	TEMPERATURE	LIMITS		UNITS
					MIN	MAX	
Break-Before-Make Time Delay	TD	RL = 1000Ω, CL = 50pF	9	+25°C	25	-	ns
			10, 11	+125°C, -55°C	5	-	ns
Propagation Delay Times: Address Inputs to I/O Channels	TON(A), TOFF(A)	RL = 10KΩ, CL = 50pF	9	+25°C	-	600	ns
			10, 11	+125°C, -55°C	-	1000	ns
Enable to I/O	TON(EN), TOFF(EN)	RL = 1000Ω, CL = 50pF	9	+25°C	-	600	ns
			10, 11	+125°C, -55°C	-	1000	ns

**TABLE 3. ELECTRICAL PERFORMANCE CHARACTERISTICS**

Device Characterized At: V- = -15V, V+ = +15V, VREF = +5V, VAH = +4.0V, VAL = 0.8V, Unless Otherwise Specified

PARAMETER	SYMBOL	CONDITIONS	NOTE	TEMPERATURE	LIMITS		UNITS
					MIN	MAX	
Capacitance Address Input	CA	+VS = -VS = 0V, f = 1MHz	1	+25°C	-	7	pF
Capacitance Channel Input	CS(OFF)	+VS = -VS = 0V, f = 1MHz	1	+25°C	-	5	pF
Capacitance Channel Output	CD(OFF) TOFF(EN)	+VS = -VS = 0V, f = 1MHz	1	+25°C	-	50	pF
Off Isolation	VISO	VEN = 4.0V, f = 200kHz, CL = 7pF, RL = 1kΩ, VS = 3.0VRMS	1	+25°C	45	-	dB

NOTE: 1. The parameters listed in Table 3 are controlled via design or process parameters and not directly tested. These parameters are characterized upon initial design and after major process and/or design changes.

## Specifications HS-1840RH/883S

**TABLE 4. POST 200K RAD(Si) ELECTRICAL CHARACTERISTICS**

Tested, per Mil-Std-883. Unless Otherwise Specified:  $V_- = -15V$ ,  $V_+ = +15V$ ,  $V_{REF} = +5V$ ,  $V_{AH} = +4.5V$ ,  $V_{AL} = 0.5V$

PARAMETER	SYMBOL	CONDITIONS	GROUP A SUBGROUPS	TEMPERATURE	LIMITS		UNITS
					MIN	MAX	
Input Leakage Current, Address, or Enable Pins	IAH IAL	Measure Inputs Sequentially, Ground All Unused Pins	1	+25°C	-1000	1000	nA
Leakage Current Into the Source Terminal of an "Off" Switch	+IS(OFF)	$V_S = +10V$ , All Unused Inputs & Output = -10V, $V_{EN} = 4.5V$	1	+25°C	-100	100	nA
	-IS(OFF)	$V_S = -10V$ , All Unused Inputs & Output = +10V, $V_{EN} = 4.5V$	1	+25°C	-100	100	nA
Leakage Current into the Source Terminal of an "Off" Switch With Power "Off"	+IS(OFF) Power Off	$V_+$ , $V_-$ , $V_{REF}$ , A0, A1, A2, A3, A4, EN = GND, Unused Inputs Tied to GND, $V_S = +25V$	1	+25°C	-100	100	nA
Leakage Current Into the Source Terminal of an "Off" Switch With Overvoltage Applied	+IS(OFF) Overvoltage	$V_S = +25V$ , $V_D=0V$ , $V_{EN}=4.5V$ All Unused Inputs Tied to GND	1	+25°C	-1500	1500	nA
	-IS(OFF) Overvoltage	$V_S = -25V$ , $V_D=0V$ , $V_{EN}=4.5V$ All Unused Inputs Tied to GND	1	+25°C	-1500	1500	nA
Leakage Current Into the Drain Terminal of an "Off" Switch	+ID(OFF)	$V_D = +10V$ , $V_{EN} = 4.5V$ All Unused Inputs = -10V	1	+25°C	-100	100	nA
	-ID(OFF)	$V_D = -10V$ , $V_{EN} = 4.5V$ All Unused Inputs = +10V	1	+25°C	-100	100	nA
Leakage Current Into the Drain Terminal of an "Off" Switch With Overvoltage Applied	+ID(OFF) Overvoltage	$V_S = +25V$ , Measure $V_D$ , $V_{EN} = 4.5V$ All Unused Inputs to GND	1	+25°C	-1000	1000	nA
	-ID(OFF) Overvoltage	$V_S = -25V$ , Measure $V_D$ , $V_{EN} = 4.5V$ All Unused Inputs to GND	1	+25°C	-1000	1000	nA
Leakage Current from an "On" Driver into the Switch (Drain & Source)	+ID(ON)	$V_S = +10V$ , $V_D = +10V$ , $V_{EN} = 0.5V$ All Unused Inputs = -10V	1	+25°C	-100	100	nA
	-ID(ON)	$V_S = -10V$ , $V_D = -10V$ , $V_{EN} = 0.5V$ All Unused Inputs = +10V	1	+25°C	-100	100	nA
Switch On Resistance	+15V R(ON)	$V_S = +15V$ , $I_D = -1mA$ , $V_{EN} = 0.5V$	1	+25°C	50	1000	$\Omega$
	-5V R(ON)	$V_S = -5V$ , $I_D = +1mA$ , $V_{EN} = 0.5V$	1	+25°C	50	4000	$\Omega$
	+5V R(ON)	$V_S = +5V$ , $I_D = -1mA$ , $V_{EN} = 0.5V$	1	+25°C	50	2500	$\Omega$
Positive Supply Current	I(+)	$V_{EN} = 0.5V$	1	+25°C	-	0.50	mA
Negative Supply Current	I(-)	$V_{EN} = 0.5V$	1	+25°C	-0.50	-	mA
Positive Standby Supply Current	+I(SBY)	$V_{EN} = 4.5V$	1	+25°C	-	0.50	mA
Negative Standby Supply Current	-I(SBY)	$V_{EN} = 4.5V$	1	+25°C	-0.50	-	mA
Make-Before-Break Time Delay	TD	$R_L = 1000\Omega$ , $C_L = 50pf$	9	+25°C	5	-	ns
Propagation Delay Times: Address Inputs to I/O Channels	TON (A) TOFF (A)	$R_L = 10K\Omega$ , $C_L = 50pf$	9	+25°C	-	3000	ns
Enable to I/O	TON (EN) TOFF (EN)	$R_L = 1000\Omega$ , $C_L = 50pf$	9	+25°C	-	3000	ns

## Specifications HS-1840RH/883S

**TABLE 5. DC POST BURN-IN DELTA ELECTRICAL CHARACTERISTICS**

Guaranteed, per Mil-Std-883, Method 1019. Unless Otherwise Specified: V- = -15V, V+ = +15V, VREF = +5V, VAH = +4.0V, VAL = 0.8V

PARAMETER	SYMBOL	CONDITIONS	GROUP A SUBGROUPS	TEMPERATURE	LIMITS		UNITS
					MIN	MAX	
Input Leakage Current, Address, or Enable Pins	IAH IAL	Measure Inputs Sequentially, Ground All Unused Pins	1	+25°C	-100	100	nA
Leakage Current Into the Source Terminal of an "Off" Switch	+IS(OFF)	VS = +10V, All Unused Inputs & Output = -10V, VEN = 4.0V	1	+25°C	-20	20	nA
	-IS(OFF)	VS = -10V, All Unused Inputs & Output = +10V, VEN = 4.0V	1	+25°C	-20	20	nA
Leakage Current Into the Drain Terminal of an "Off" Switch	+ID(OFF)	VD = +10V, VEN = 4.0V All Unused Inputs = -10V	1	+25°C	-20	20	nA
	-ID(OFF)	VD = -10V, VEN = 4.0V All Unused Inputs = +10V	1	+25°C	-20	20	nA
Leakage Current from an "On" Driver into the Switch (Drain & Source)	+ID(ON)	VS = +10V, VD = +10V, VEN = 0.8V All Unused Inputs = -10V	1	+25°C	-20	20	nA
	-ID(ON)	VS = -10V, VD = -10V, VEN = 0.8V All Unused Inputs = +10V	1	+25°C	-20	20	nA
Switch On Resistance	+15V R(ON)	VS = +15V, ID = -1mA, VEN = 0.8V	1	+25°C	-150	150	Ω
	-5V R(ON)	VS = -5V, ID = +1mA, VEN = 0.8V	1	+25°C	-250	250	Ω
Positive Supply Current	I(+)	VEN = 0.8V	1	+25°C	-50	50	μA
Negative Supply Current	I(-)	VEN = 0.8V	1	+25°C	-50	50	μA
Positive Standby Supply Current	+ISBY	VEN = 4.0V	1	+25°C	-50	50	μA
Negative Standby Supply Current	-ISBY	VEN = 4.0V	1	+25°C	-50	50	μA

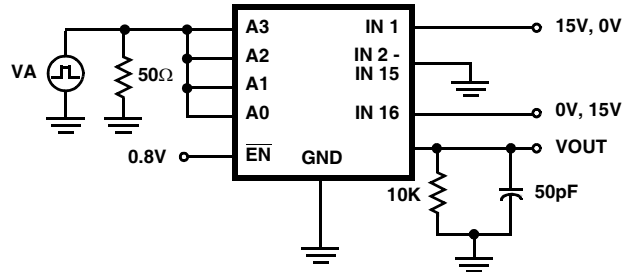
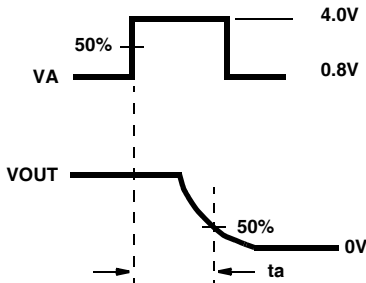
**TABLE 6. APPLICABLE SUBGROUPS**

CONFORMANCE GROUPS		METHOD	Q SUBGROUPS
Initial Test		100%/5004	1
Interim Test		100%/5004	1
PDA		100%/5004	1
Final Test		100%/5004	1, 2, 3, 7, 8A, 8B, 9, 10, 11
Group A		Samples/5005	1, 2, 3, 7, 8A, 8B, 9, 10, 11
Group B	B5	Samples/5005	1, 2, 3
	Others	Samples/5005	1, 7
Group D		Samples/5005	1, 7
Group E, Subgroup 2		Samples/5005	1, 7

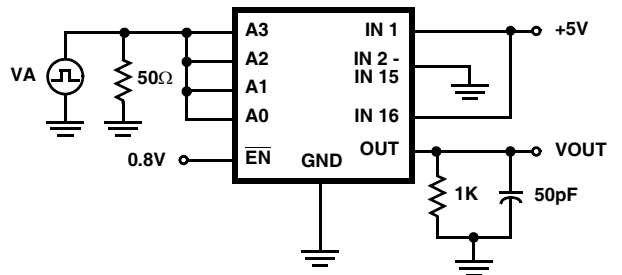
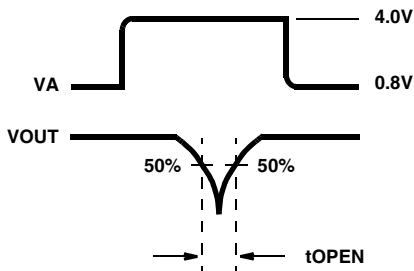
# HS-1840RH/883S

## Performance Characteristics and Test Circuits

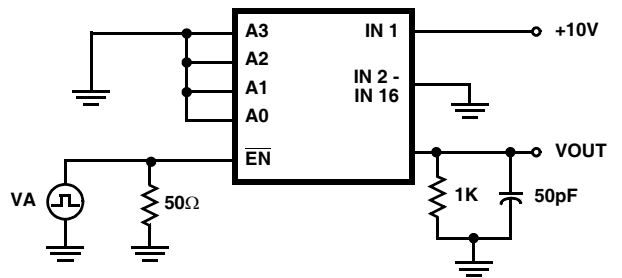
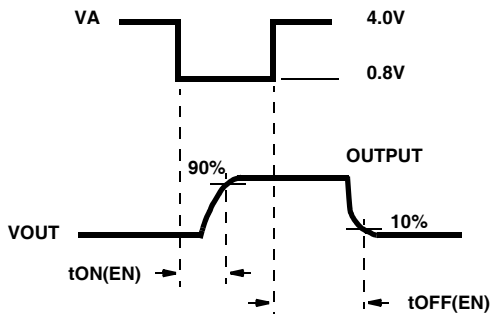
ACCESS TIME vs. LOGIC LEVEL (HIGH)



BREAK-BEFORE-MAKE DELAY ( $t_{OPEN}$ )

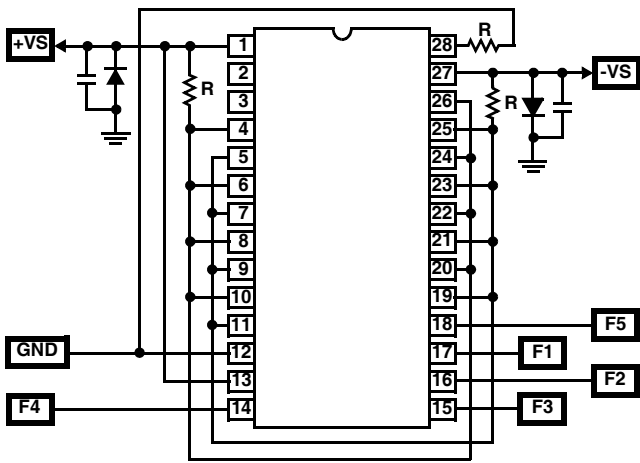


ENABLE DELAY ( $t_{ON(EN)}$ ,  $t_{OFF(EN)}$ )



## HS-1840RH/883S

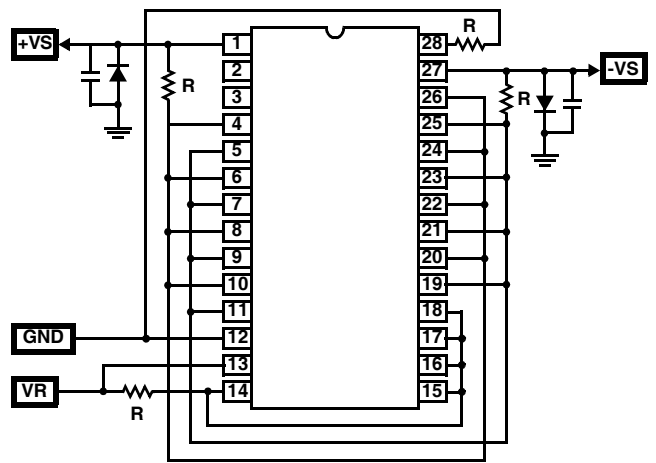
### Burn-In/Life Test Circuits



**DYNAMIC BURN-IN AND LIFE TEST CIRCUIT**

**NOTES:**

VS+ = +15.5V ± 0.5V, VS- = -15.5V ± 0.5V  
 R = 1kΩ ± 5%  
 C1 = C2 = 0.01μF ± 10%, 1 each per socket, minimum  
 D1 = D2 = 1N4002, 1 each per board, minimum  
 Input Signals: square wave, 50% duty cycle, 0V to 15V peak ± 10%  
 F1 = 100kHz; F2 = F1/2; F3 = F1/4; F4 = F1/8; F5 = F1/16



**STATIC BURN-IN TEST CIRCUIT**

**NOTES:**

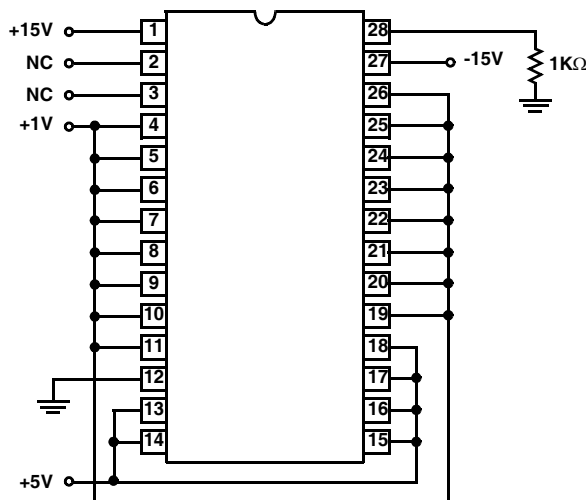
R = 1kΩ ± 5%, 1/4W  
 C1 = C2 = 0.01μF minimum, 1 each per socket, minimum  
 VS+ = 15.5V ± 0.5V, VS- = -15.5V ± 0.5V, VR = 15.5 ± 0.5V

**NOTES:**

1. The Above Test Circuits are Utilized for All Package Types
2. The Dynamic Test Circuit is Utilized for All Life Testing

### Irradiation Circuit

**28 PIN DIP**



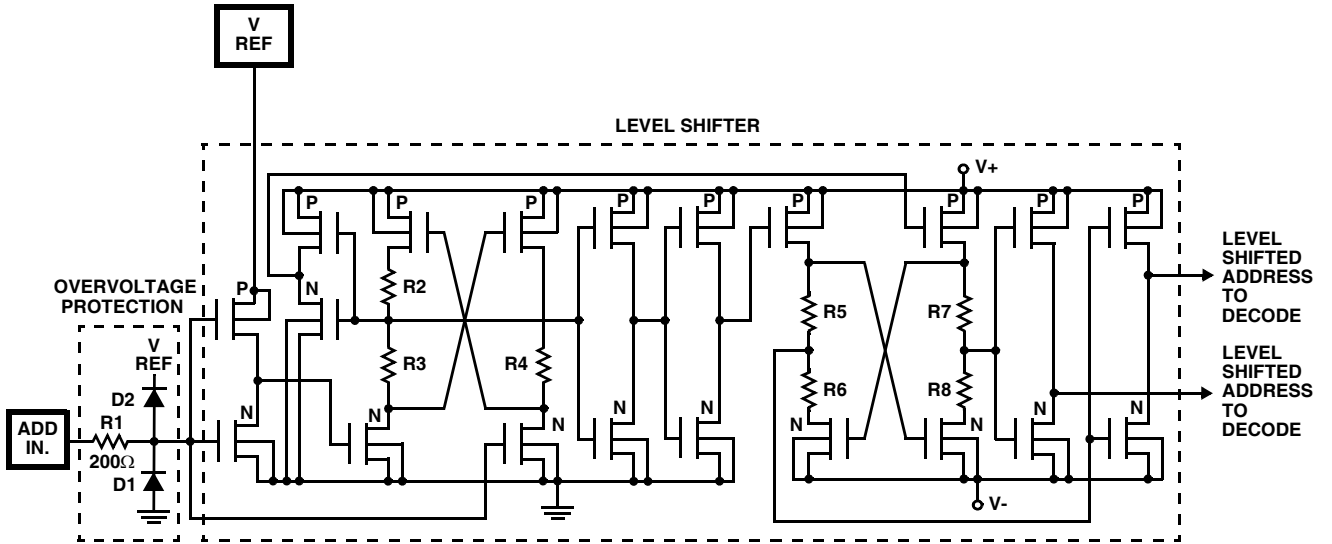
NOTE: All irradiation testing is performed in the 28 pin DIP package



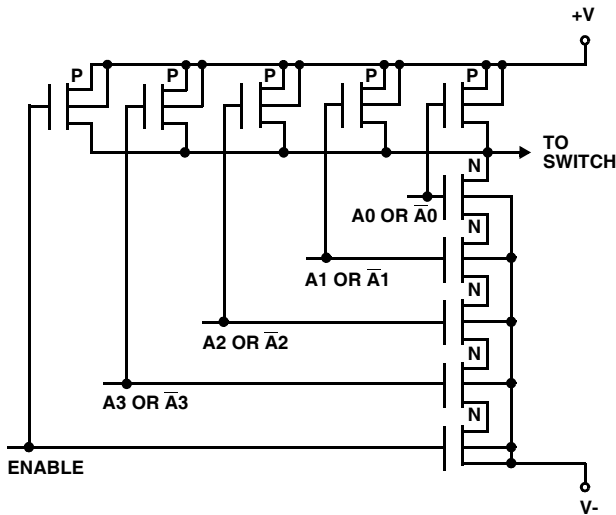
# HS-1840RH/883S

## Schematic Diagrams

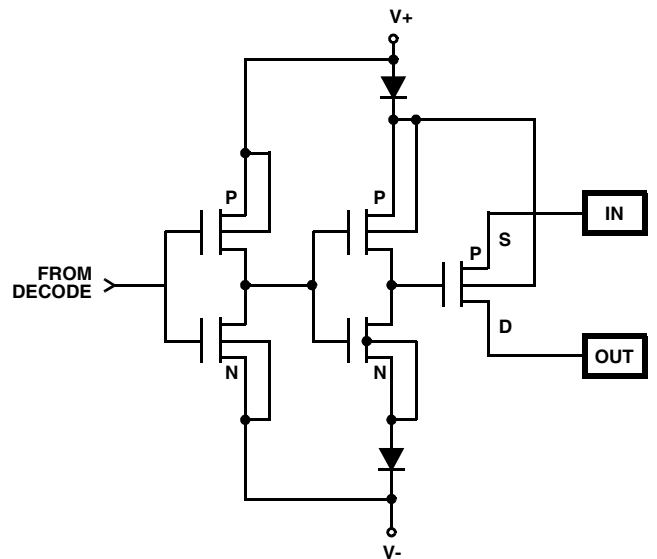
### ADDRESS INPUT BUFFER AND LEVEL SHIFTER



### ADDRESS DECODER



### MULTIPLEX SWITCH



## HS-1840RH/883S

### **Intersil - Space Level Product Flow**

SEM - Traceable to Diffusion Method 2018	PDA Calculation 3% Functional
Wafer Lot Acceptance Method 5007	5% Subgroups 1, 7, Δ
Internal Visual Inspection (Note 1)	Dynamic Burn-In 240 Hours, +125°C Method 1015 Condition D
Gamma Radiation Assurance Tests Method 1019	Electrical Tests Subgroups 1, 7, 9 (T2)
100% Nondestructive Bond Pull Method 2023	Burn-In Delta Calculation (T0 - T2)
Customer Pre-Cap Visual Inspection (Notes 1, 2)	PDA Calculation 3% Functional
Temperature Cycling Method 1010 Condition C	5% Subgroups 1, 7, Δ
Constant Acceleration method 2001 Y1 30KG	Electrical Test +125°C, -55°C
Particle Impact Noise Detection method 2020, Condition A 20G	Alternate Group A Inspection Method 5005
Marking and Serialization	Fine and Gross Leak Tests Method 1014
X-Ray Inspection Method 2012	Customer Source Inspection (Note 2)
Initial Electrical Tests (T0)	Group B Inspection (Notes 2, 4) Method 5005
Static Burn-In 72 Hour, +125°C method 1015 Condition A	Group D Inspection (Notes 2, 4) Method 5005
Room Temperature Electrical Tests (T1)	External Visual Inspection Method 2009
Burn-In Delta Calculation (T0-T1)	Data Package Generation (Note 3)

#### NOTES:

1. Visual Inspection is performed to MIL-STD-883 Method 2010, Condition A.
2. These steps are optional, and should be listed on the purchase order if required.
3. Data package contains:
  - Assembly Attributes (post seal)
  - Test Attributes (includes Group A) -55°C, +25°C, +125°C
  - Shippable Serial Number List
  - Radiation Testing Certificate of Conformance
  - Wafer Lot Acceptance Report (includes SEM report)
  - X-Ray Report and Film
  - Test Variables Data, DC Test and TELQV
    - +25°C Initial Test
    - +25°C Interim Test 1
    - +25°C Interim Test 2
    - +25°C Delta Over Burn-In
4. Group B data package contains Attributes Data pulse Variables Data, DC Test and TE2HQV. Group D data package contains Attributes only.

## HS-1840RH/883S

### ***Metallization Topology***

**DIE DIMENSIONS:**  
110 x 159 x 11mils

**METALLIZATION:**  
Type: Al  
Thickness:  $12.5\text{k}\text{\AA} \pm 2\text{k}\text{\AA}$

**GLASSIVATION:**  
Type:  $\text{SiO}_2$   
Thickness:  $8\text{k}\text{\AA} \pm 1\text{k}\text{\AA}$

**DIE ATTACH:**  
Material: Gold Eutectic  
Temperature: Sidebrazed Ceramic DIP -  $460^\circ\text{C}$  (Max)  
Flatpack -  $460^\circ\text{C}$  (Max)

**WORST CASE CURRENT DENSITY:**  $1.90\text{e}04\text{A}/\text{cm}^2$

**LEAD TEMPERATURE (10 Seconds Soldering):**  $<275^\circ\text{C}$

**PROCESS:** CMOS-DI

### ***Metallization Mask Layout***

HS-1840RH/883S

