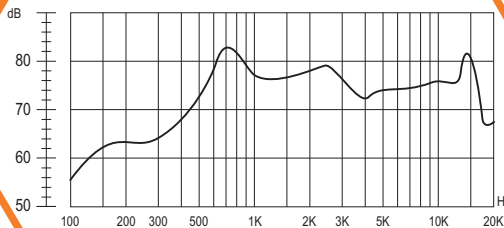
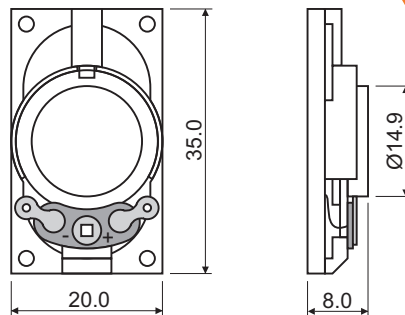


# SoniCrest SPEAKER SOUND GENERATORS

## HSP2035A



### Dimension

Unit : mm  
Tolerance :  $\pm 0.3$ mm

### Frequency Response

Normalized to 1W Input Power and  
1m Measuring Distance

- **Specification** (all data taken at 25°C unless otherwise specified)

| Coil Impedance ( $\Omega$ ) | Rated Power (W) | Maximum Input Power (W) | Resonance Frequency (Hz) | ★Frequency Range (Hz) | ★Sound Output at 1kHz (dB) | Operating Temperature (°C) | Storage Temperature (°C) |
|-----------------------------|-----------------|-------------------------|--------------------------|-----------------------|----------------------------|----------------------------|--------------------------|
| 8 $\pm$ 20%                 | 1               | 2                       | 500 $\pm$ 20%            | 500 ~ 20000           | 79 $\pm$ 3                 | -20 ~ +60                  | -30 ~ +70                |

### HSP2035A-8

The specification are only for 8 $\Omega$  version. Specification for other impedance is available upon request.  
★Value normalized to 1W input power and 1m measuring distance.