

10/100BASE-TX TRANSFORMER MODULES For Auto MDI/MDIX Applications



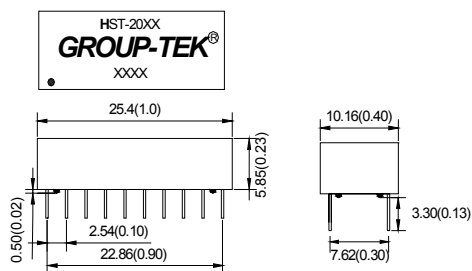
Features

- Designed to meet IEEE 802.3 requirements
- Designed for multiport repeater & ethernet switching hub application
- Environmental Designed to meet IR 250 degree C for 1minute
- Primary inductance (LP):350uH,min.@100KHz 0.1Vrms 8mA

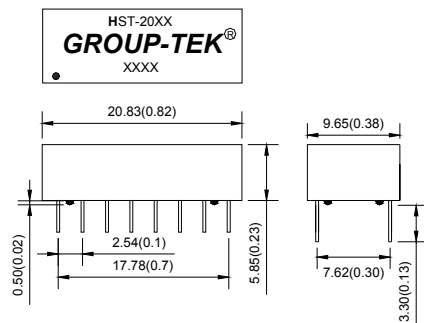
Part No.	Turn Ratio RX:TX	Electrical Specification@25°C				Operating Temperature 0 to 70°C								Isolation Voltage (Vrms)	Package /Sch.
		Insertion Loss (dB max) 0.1-100M Hz	Return Loss(dB min .) MHz				CMRR (dB typ.) MHz		Crosstalk (dB min .) MHz						
			2-30	40	50	60-80	1-60	60-200	0.1	30	60	100			
HST-2027D	1CT:1CT 1CT:1CT	-1.0 -18		-14.4	-13.1	-12	-37	-25	-55	-45	-40	-33	1500	a/A	
HST-2028D	1CT:1CT 1CT:1CT	-1.0 -18		-14.4	-13.1	-12	-37	-25	-55	-45	-40	-33	1500	a/B	
HST-2029D	1:1 1CT:1CT	-1.1	-18	-15	-13		-11	-37	-25	-55	-45	-40	-33	1500	a/C
HST-2033D	1:1 1CT:1CT	-1.1	-18	-15	-13		-11	-37	-25	-55	-45	-40	-33	1500	a/D
HST-2035D	1CT:1CT 1CT:1CT	-1.1	-18	-15	-13		-11	-37	-25	-55	-45	-40	-33	1500	a/E
HST-2036D	1CT:1CT 1CT:1CT	-1.1	-18	-15	-13		-11	-37	-25	-55	-45	-40	-33	1500	b/F
HST-2037D	1CT:1CT	-1.1	-18	-15	-13		-11	-37	-25	-55	-45	-40	-33	1500	b/E

Dimension: mm(inch)+/-0.25(0.01)

a



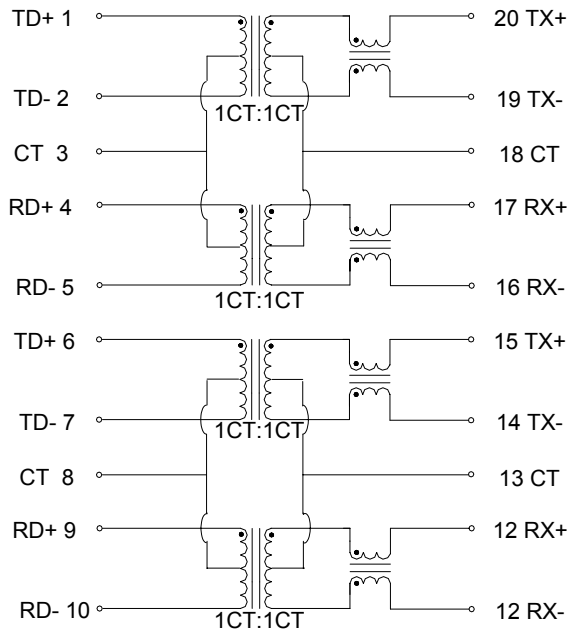
b



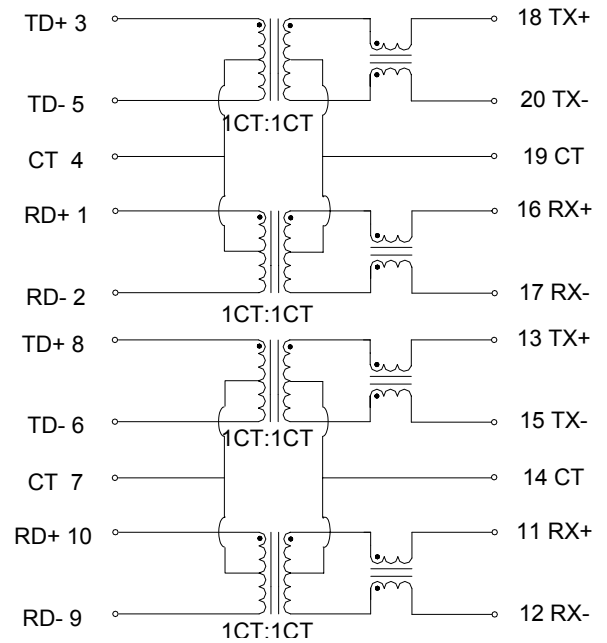
10/100BASE-TX TRANSFORMER MODULES
For Auto MDI/MDIX Applications

Schematic

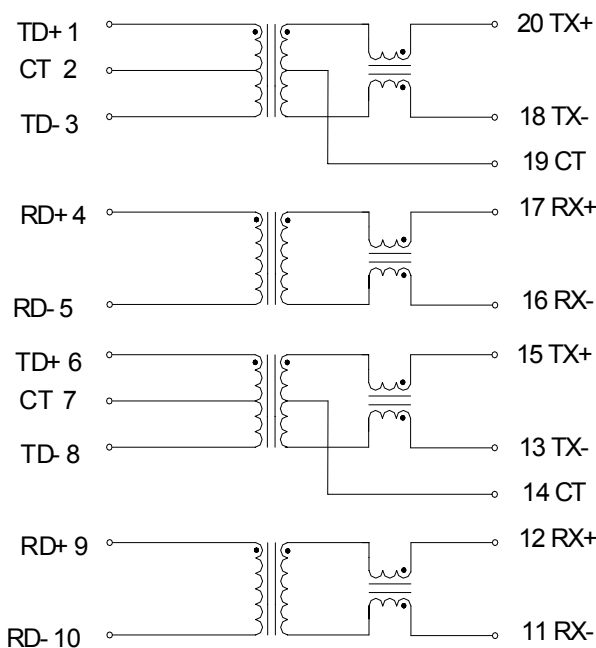
A



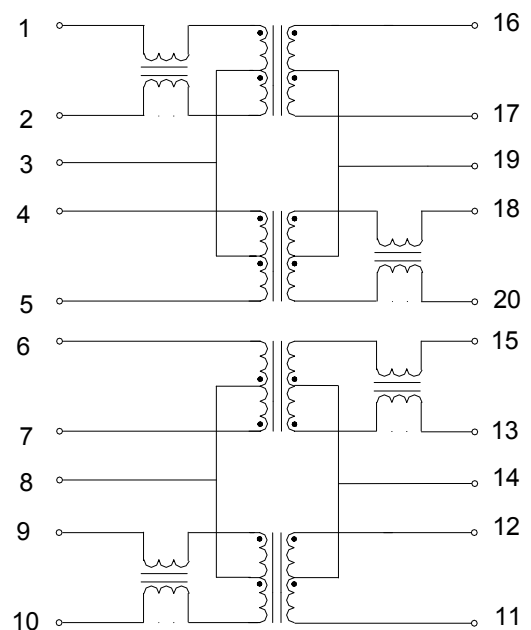
B



C



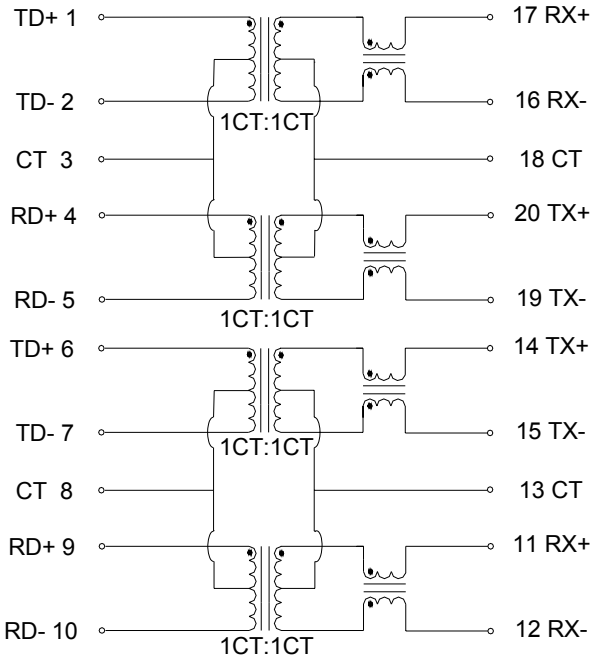
D



10/100BASE-TX TRANSFORMER MODULES
For Auto MDI/MDIX Applications

Schematic

E



F

