

Features

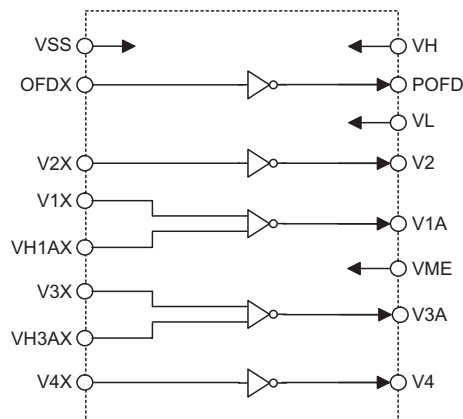
- Operating voltage: 3.0V~5.5V
- Built-in seven circuits
 - 2-level output:
 - 2 circuits for vertical CCD clock driver
 - output voltage level (typ.) = -9V to 0V
 - 3-level output:
 - 2 circuits for vertical CCD clock driver
 - output voltage level (typ.) = -9V to 15V
- 2-level output:
 - 1 circuit for shutter driver
 - output voltage level (typ.) = -9V to 15V
- Switchable between NTSC (EIA) and PAL (CCIR) modes
- 16-pin SSOP (150mil) package

General Description

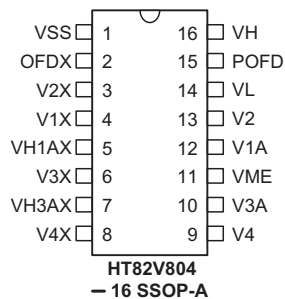
HT82V804 is a CMOS vertical clock driver and shutter driver IC for CCD area sensors. It has the capability of

converting the voltage and impedance from the CMOS level.

Block Diagram



Pin Assignment



Pin Description

Pin No.	Pin Name	I/O	Description
1	VSS	—	Negative power supply, ground
2	OFDX	I	Electronic shutter pulse input
4, 3, 6, 8	V1X, V2X, V3X, V4X	I	Vertical transfer pulse input
5, 7	VH1AX, VH3AX	I	Pulse that transfers the charge of the photo-diode to the vertical shift register.
9	V4	O	Pulse to drive vertical CCD shift register (2 level: VME, VL)
10	V3A	O	Pulse to drive vertical CCD shift register (3 level: VME, VL, VH)
11	VME	—	Power supply for intermediate level of V1A, V3A
12	V1A	O	Pulse to drive vertical CCD shift register (3 level: VME, VL, VH)
13	V2	O	Pulse to drive vertical CCD shift register (2 level: VME, VL)
14	VL	—	Power supply for all low level output pulses
15	POFD	O	Electronic shutter pulse output (2 level: VL, VH)
16	VH	—	Power supply for high level of V1A, V3A

Absolute Maximum Ratings

Supply Voltage	$V_{SS}-0.3V$ to V_L+35V	Storage Temperature	$-55^{\circ}C$ to $150^{\circ}C$
Input Voltage	$V_{SS}-0.3V$ to $V_H+0.3V$	Operating Temperature	$-25^{\circ}C$ to $70^{\circ}C$

Note: These are stress ratings only. Stresses exceeding the range specified under "Absolute Maximum Ratings" may cause substantial damage to the device. Functional operation of this device at other conditions beyond those listed in the specification is not implied and prolonged exposure to extreme conditions may affect device reliability.

Recommended Operating Conditions

Symbol	Parameter	Value	Unit
V_{DD}	Supply Voltage	3.0 ~ 5.5	V
V_H		$-0.3 \sim V_L+35$	V
V_L		0 ~ -10	V
VME		$V_L-0.3 \sim 3.0$	V
V1A, V2, V3A, V4, POFD	Output Voltage	$V_L-0.3 \sim V_H+0.3$	V

Logic Function Table

Input				Output		
V1X, V3X	VH1AX, VH3AX	V2X, V4X	OFDX	V1A, V3A	V2, V4	POFD
L	L	—	—	VH	—	—
H	L	—	—	Z	—	—
L	H	—	—	VME	—	—
H	H	—	—	VL	—	—
—	—	L	—	—	VME	—
—	—	H	—	—	VL	—
—	—	—	L	—	—	VH
—	—	—	H	—	—	VL

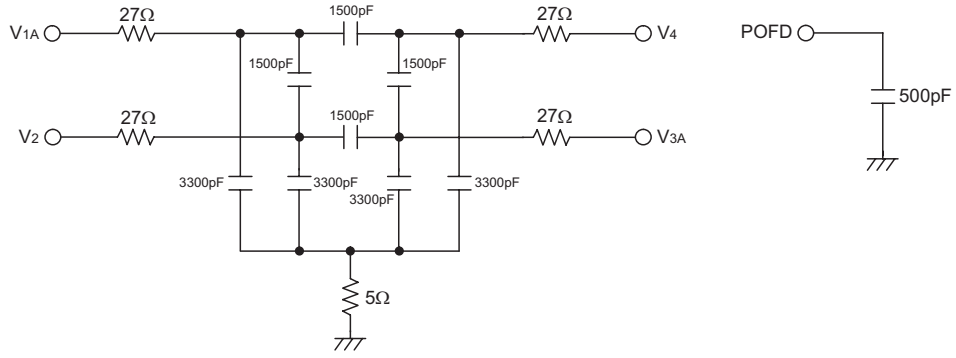
D.C. Characteristics
 $V_H=15V, V_L=-9V, V_{ME}=0V, T_a=25^\circ C$

Symbol	Parameter	Test Conditions	Min.	Typ.	Max.	Unit
V_{DD}	Logic Supply Voltage	—	3.0	3.3	5.5	V
V_H	Supply Voltage	—	14.5	15	15.5	V
V_L	Supply Voltage	—	-9.5	-8.5	-7.5	V
V_{IH}	High Level Input Voltage	—	2.3	—	—	V
V_{IL}	Low Level Input Voltage	—	—	—	1.2	V
I_{VH}	Operating Current	Shutter speed=100kHz	—	2.0	3.5	mA
I_{VL}			—	4.5	5.0	mA
I_{VME}			—	-6.5	—	mA
I_{OL}	Output Current	$V1A, V2, V3A, V4=-9.0V$	—	37	—	mA
I_{OM1}		$V1A, V2, V3A, V4=-0.5V$	—	-15	-10	mA
I_{OM2}		$V1A, V3A=0.5V$	—	13.5	—	mA
I_{OH}		$V1A, V3A=14.5V$	—	-18	-12	mA
I_{OSL}		$OFDX=-8.0V$	—	18	—	mA
I_{OSH}		$OFDX=14.5V$	—	-10.5	-7	mA

A.C. Characteristics
 $T_a=25^\circ C$

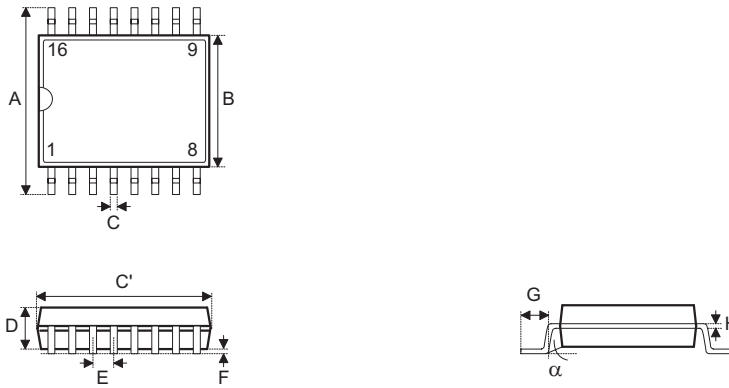
Symbol	Parameter	Test Conditions	Min.	Typ.	Max.	Unit
t_{PLM}	Delay Time	$V_H=15V, V_L=-8.5V, V_{ME}=0V$	—	40	80	ns
t_{PMH}		$V_H=15V, V_L=-8.5V, V_{ME}=0V$	—	30	80	ns
t_{PLH}		$V_H=15V, V_L=-8.5V, V_{ME}=0V$	—	40	120	ns
t_{PML}		$V_H=15V, V_L=-8.5V, V_{ME}=0V$	—	100	240	ns
t_{PHM}		$V_H=15V, V_L=-8.5V, V_{ME}=0V$	—	100	210	ns
t_{PHL}		$V_H=15V, V_L=-8.5V, V_{ME}=0V$	—	60	120	ns
t_{TLM}	Rising Time	$V_H=15V, V_L=-8.5V, V_{ME}=0V$	—	700	1110	ns
t_{TMH}		$V_H=15V, V_L=-8.5V, V_{ME}=0V$	—	650	1110	ns
t_{TLH}		$V_H=15V, V_L=-8.5V, V_{ME}=0V$	—	50	120	ns
t_{TML}		$V_H=15V, V_L=-8.5V, V_{ME}=0V$	—	300	600	ns
t_{THM}		$V_H=15V, V_L=-8.5V, V_{ME}=0V$	—	600	980	ns
t_{THL}		$V_H=15V, V_L=-8.5V, V_{ME}=0V$	—	50	120	ns

Equivalent Circuits



Package Information

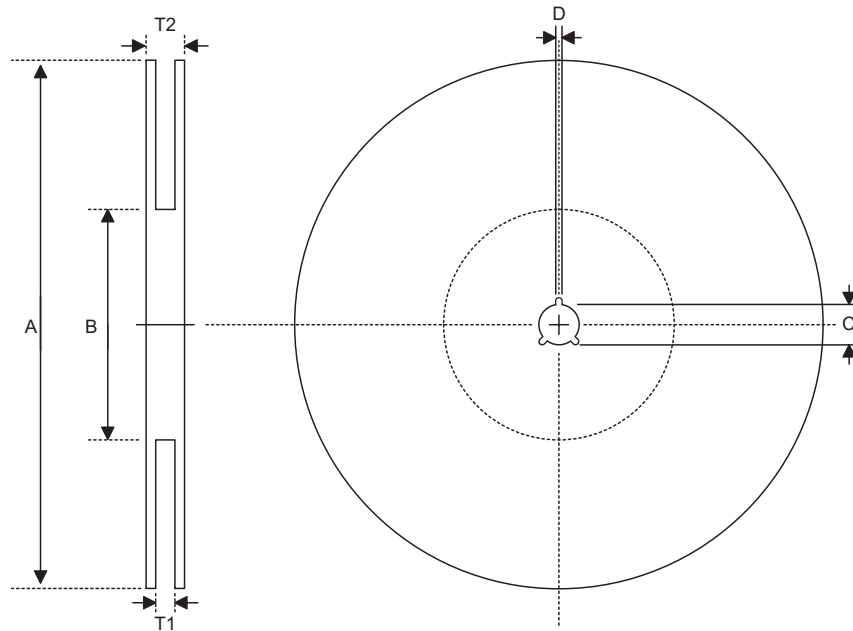
16-pin SSOP (150mil) Outline Dimensions



Symbol	Dimensions in mil		
	Min.	Nom.	Max.
A	228	—	244
B	150	—	157
C	8	—	12
C'	189	—	197
D	54	—	60
E	—	25	—
F	4	—	10
G	22	—	28
H	7	—	10
α	0°	—	8°

Product Tape and Reel Specifications

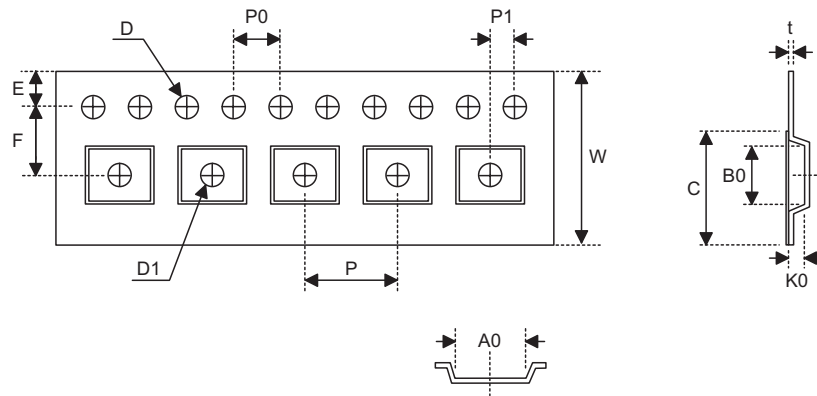
Reel Dimensions



SSOP 16S

Symbol	Description	Dimensions in mm
A	Reel Outer Diameter	330±1.0
B	Reel Inner Diameter	62±1.5
C	Spindle Hole Diameter	13.0+0.5 -0.2
D	Key Slit Width	2.0±0.5
T1	Space Between Flange	12.8+0.3 -0.2
T2	Reel Thickness	18.2±0.2

Carrier Tape Dimensions



SSOP 16S

Symbol	Description	Dimensions in mm
W	Carrier Tape Width	12.0+0.3 -0.1
P	Cavity Pitch	8.0±0.1
E	Perforation Position	1.75±0.1
F	Cavity to Perforation (Width Direction)	5.5±0.1
D	Perforation Diameter	1.55±0.1
D1	Cavity Hole Diameter	1.5+0.25
P0	Perforation Pitch	4.0±0.1
P1	Cavity to Perforation (Length Direction)	2.0±0.1
A0	Cavity Length	6.4±0.1
B0	Cavity Width	5.2±0.1
K0	Cavity Depth	2.1±0.1
t	Carrier Tape Thickness	0.30±0.05
C	Cover Tape Width	9.3

Holtek Semiconductor Inc. (Headquarters)

No.3, Creation Rd. II, Science Park, Hsinchu, Taiwan
Tel: 886-3-563-1999
Fax: 886-3-563-1189
<http://www.holtek.com.tw>

Holtek Semiconductor Inc. (Taipei Sales Office)

4F-2, No. 3-2, YuanQu St., Nankang Software Park, Taipei 115, Taiwan
Tel: 886-2-2655-7070
Fax: 886-2-2655-7373
Fax: 886-2-2655-7383 (International sales hotline)

Holtek Semiconductor Inc. (Shanghai Sales Office)

7th Floor, Building 2, No.889, Yi Shan Rd., Shanghai, China 200233
Tel: 021-6485-5560
Fax: 021-6485-0313
<http://www.holtek.com.cn>

Holtek Semiconductor Inc. (Shenzhen Sales Office)

43F, SEG Plaza, Shen Nan Zhong Road, Shenzhen, China 518031
Tel: 0755-8346-5589
Fax: 0755-8346-5590
ISDN: 0755-8346-5591

Holtek Semiconductor Inc. (Beijing Sales Office)

Suite 1721, Jinyu Tower, A129 West Xuan Wu Men Street, Xicheng District, Beijing, China 100031
Tel: 010-6641-0030, 6641-7751, 6641-7752
Fax: 010-6641-0125

Holmate Semiconductor, Inc. (North America Sales Office)

46712 Fremont Blvd., Fremont, CA 94538
Tel: 510-252-9880
Fax: 510-252-9885
<http://www.holmate.com>

Copyright © 2004 by HOLTEK SEMICONDUCTOR INC.

The information appearing in this Data Sheet is believed to be accurate at the time of publication. However, Holtek assumes no responsibility arising from the use of the specifications described. The applications mentioned herein are used solely for the purpose of illustration and Holtek makes no warranty or representation that such applications will be suitable without further modification, nor recommends the use of its products for application that may present a risk to human life due to malfunction or otherwise. Holtek's products are not authorized for use as critical components in life support devices or systems. Holtek reserves the right to alter its products without prior notification. For the most up-to-date information, please visit our web site at <http://www.holtek.com.tw>.