

Patent Number: 86474, 84545(R.O.C)

### Features

- Operating Voltage: 2.0V~5.5V
- Low standby current
- Low memory retention current: 0.1 $\mu$ A (Typ.)
- Tone/Pulse switchable
- 32 (pulse)/31 (tone) digits for redialing
- Pause and P  $\rightarrow$  T key for PBX
- 4 $\times$ 4 keyboard matrix
- 3.58MHz crystal or ceramic resonator
- Hand-free control
- Pause, P  $\rightarrow$  T can be saved for redialing
- One-key redialing
- Keytone output
- Pause time: 2.2s
- Cascadable manual dialing after redialing
- Calibrated DTMF timing for redialing
- HT93214A: 16-pin DIP package
- HT93214B/AT: 18-pin DIP package

### General Description

The HT93214 are dialer series designed for low cost telephone set applications with expandable features such as Lock function, keytone and LCD display interface. With a 4 $\times$ 4 keyboard, it performs normal tone/pulse switchable dialing, and provides one-key redialing function with a 32-digit memory for speed dial-

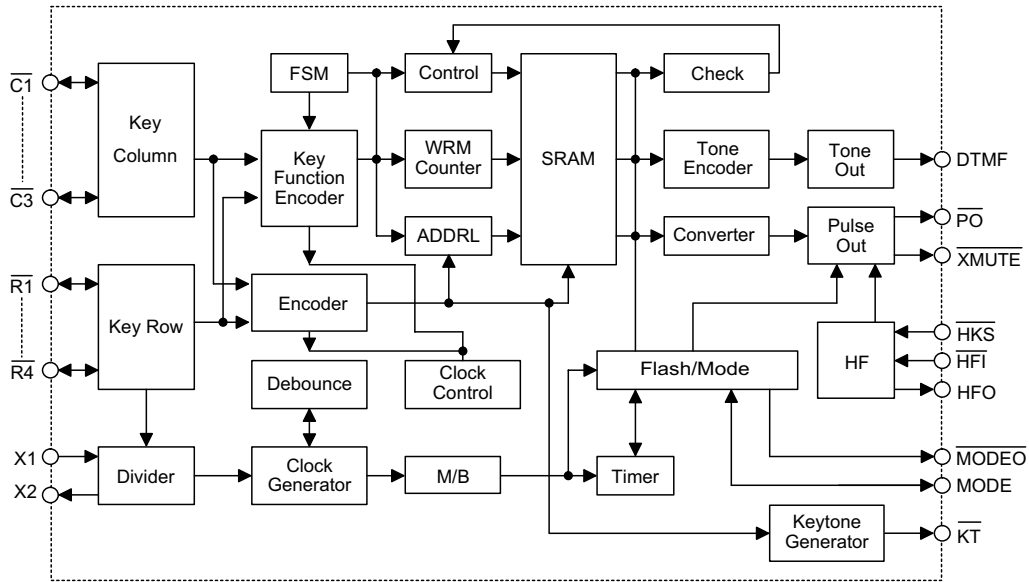
ing. An on-chip oscillator is built-in to work with an external 3.58Mhz crystal or ceramic resonator for accurate timing. The HT93214 provides 300ms (F1 key) and 600ms (F2 key) of flash time; Tone dialing and 10pps, 20pps selection with 1/2 M/B ratio for pulse dialing.

### Selection Table

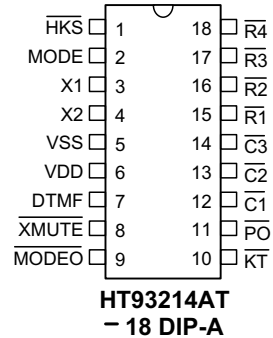
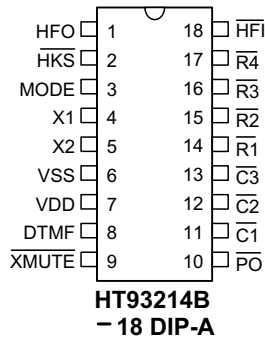
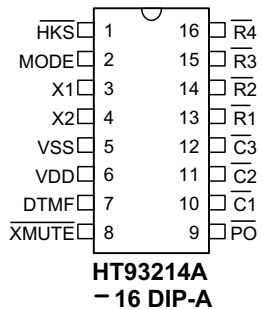
HT93214 series

| Function<br>Part No. | Hand-Free | Key Tone | Flash   | Flash Time (ms) | Pulse No. | Tone Duration (ms) | Inter Tone Pause (ms) | PPS   | M/B | PKG DIP 300mil |
|----------------------|-----------|----------|---------|-----------------|-----------|--------------------|-----------------------|-------|-----|----------------|
| HT93214A             |           |          | Control | 300/600         | N         | 94                 | 96                    | 10/20 | 1/2 | 16             |
| HT93214B             | √         |          | Control | 300/600         | N         | 94                 | 96                    | 10/20 | 1/2 | 18             |
| HT93214AT            |           | √        | Control | 300/600         | N         | 94                 | 96                    | 10/20 | 1/2 | 18             |

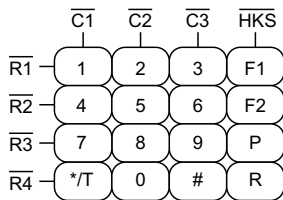
**Block Diagram**



**Pin Assignment**

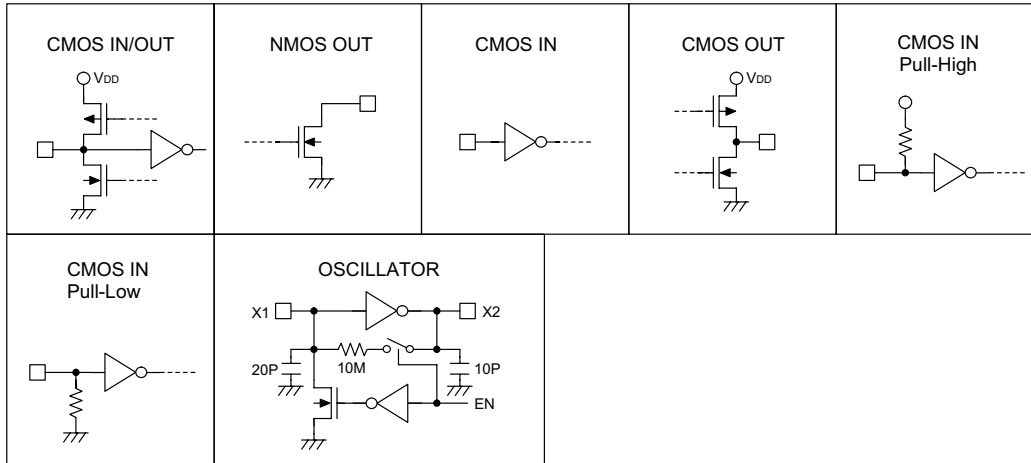


**Keyboard Information**



**Pin Description**

| Pin Name                      | I/O | Internal Connection | Description  |
|-------------------------------|-----|---------------------|--|
| $\overline{C1-C3}$<br>$R1-R4$ | I/O | CMOS I/O            | These pins along with the $\overline{HKS}$ form a 4x4 keyboard matrix which can perform keyboard input detection. When on-hook ( $HKS=high$ ) all the pins are set high. While off-hook the column group ( $C1-C3$ ) is set low and the row group ( $R1-R4$ ) remains high for input detection. Pressing a key connects a single row to a single column $\overline{HKS}$ and actuates the system oscillator that results in a dialing signal output. If more than two keys are pressed at the same time, no response occurs. The key-in debounce time is 20ms. |
| X1                            | I   | OSC                 | The system oscillator consists of an inverter, a bias resistor and the necessary load capacitor on chip. Connecting a standard 3.579545MHz crystal or ceramic resonator to the X1 and X2 terminals can implement the oscillator function. The oscillator is turned off in the standby mode, and is actuated whenever a keyboard entry is detected.   |
| X2                            | O   |                     |  |
| $\overline{XMUTE}$            | O   | NMOS Open Drain     | NMOS open drain structure pulled to VSS during dialing signal transmission. Otherwise, it is an open circuit. This pin is used to mute the speech circuit when transmitting the dial signal.   |
| $\overline{HKS}$              | I   | CMOS                | This pin is used to monitor the status of the hook-switch and its combination with HFI can control the PO pin output to make or break the line.<br>$HKS=VDD$ : On-hook state ( $\overline{PO}=low$ ). Except for $\overline{HFI}$ (hand-free control input), other functions are all disabled.<br>$HKS=VSS$ : Off-hook state ( $\overline{PO}=high$ ). The chip is in the stand-by mode and ready to receive the key input.  |
| $\overline{PO}$               | O   | NMOS                | NMOS open drain output structure, which by receiving the $\overline{HKS}$ and HFO signals, control the dialer so as to connect or disconnect the telephone line.<br>$\overline{PO}$ is pulled to VSS when $HKS$ is high (on-hook) and HFO is low.<br>$\overline{PO}$ is an open circuit which make the line connection when $HKS$ is low (off-hook) or HFO is high.<br>During the off-hook state, this pin also outputs the dialing pulse train in pulse mode dialing. While in the tone mode, this pin is always an open circuit.                             |
| MODE                          | I/O | CMOS                | This is a tri-state input/output pin, used for dialing mode selection, either Tone mode or Pulse mode, 10pps/20pps<br>$MODE=VDD$ : Pulse, 10pps, M/B=1/2<br>$MODE=Floating$ : Pulse, 20pps, M/B=1/2<br>$MODE=VSS$ : Tone.<br>The MODE selection is checked each time a key input is received.  |
| DTMF                          | O   | CMOS                | This pin is active only when the chip transmits tone dialing signals. Otherwise, it always outputs a low. The pin outputs tone signals to drive the external transmitter amplifier circuit. The load resistor (to $V_{SS}$ ) should not be less than 5k $\Omega$ and any DC load connected to $V_{DD}$ is not allowed.   |
| $\overline{KT}$               | O   | NMOS                | NMOS open drain structure for keytone output. It outputs 34ms of 600Hz tone burst when any key is pressed in the pulse mode or when a function key is pressed in the tone mode.  |
| $\overline{HFI}$              | I   | CMOS                | Pulled-high, this pin is a Schmitt trigger input structure. Active low. Applying a negative going pulse to HFI can toggle the HFO once and hence control the hand-free function. The pull-high resistance of $\overline{HFI}$ is about 200k $\Omega$ typ. An external RC network is recommended for input debouncing.  |
| HFO                           | O   | CMOS                | The HFO pin is a CMOS output structure. Its output is toggle- controlled by a negative transition on $\overline{HFI}$ pin. When HFO is high, the hand-free function is enabled and $\overline{PO}$ outputs a high to connect the line.<br>The hand-free function can be released by an on-off-hook operation or by another $\overline{HFI}$ input. Refer to the functional description for the hand-free functional operation.   |
| VDD                           | —   | —                   | Positive power supply, 2.0V~5.5V for normal operation  |
| VSS                           | —   | —                   | Negative power supply, ground  |
| $\overline{MODEO}$            | O   | NMOS                | NMOS open drain output pin pulled to VSS during tone output and is an open circuit during pulse output.  |

**Approximate internal connection circuits**

**Absolute Maximum Ratings**

|                      |  |                             |                |
|----------------------|--|-----------------------------|----------------|
| Supply Voltage ..... | -0.3V to 6V                                    | Storage Temperature .....   | -50°C to 125°C |
| Input Voltage .....  | V <sub>SS</sub> -0.3V to V <sub>DD</sub> +0.3V | Operating Temperature ..... | -20°C to 75°C  |

Note: These are stress ratings only. Stresses exceeding the range specified under "Absolute Maximum Ratings" may cause substantial damage to the device. Functional operation of this device at other conditions beyond those listed in the specification is not implied and prolonged exposure to extreme conditions may affect device reliability.

**Electrical Characteristics**

 F<sub>OSC</sub>=3.5795MHz, T<sub>a</sub>=25°C

| Symbol            | Parameter                                     | Test Conditions |                                     | Min.                     | Typ. | Max.               | Unit |
|-------------------|---|-----------------|-------------------------------------|--------------------------|------|--------------------|------|
|                   |   | V <sub>DD</sub> | Conditions                          |                          |      |                    |      |
| V <sub>DD</sub>   | Operating Voltage                             | —               | —                                   | 2                        | —    | 5.5                | V    |
| I <sub>DD</sub>   | Operating Current                             | 2.5V            | Pulse                               | —                        | 0.2  | 1                  | mA   |
|                   |   |                 | Tone                                | Off-hook<br>Keypad entry | —    | 0.6                | 2    |
| I <sub>STB</sub>  | Standby Current                               | 1V              | On-hook, no load<br>No entry        | —                        | —    | 1                  | μA   |
| V <sub>R</sub>    | Memory Retention Voltage                      | —               | —                                   | 1                        | —    | 5                  | V    |
| I <sub>R</sub>    | Memory Retention Current                      | 1V              | On-hook                             | —                        | 0.1  | 0.2                | μA   |
| V <sub>IL</sub>   | Input Low Voltage                             | —               | —                                   | V <sub>SS</sub>          | —    | 0.2V <sub>DD</sub> | V    |
| V <sub>IH</sub>   | Input High Voltage                            | —               | —                                   | 0.8V <sub>DD</sub>       | —    | V <sub>DD</sub>    | V    |
| I <sub>XMO</sub>  | $\overline{\text{XMUTE}}$ Leakage Voltage     | —               | V <sub>XMUTE</sub> =12V<br>No entry | —                        | —    | 1                  | μA   |
| I <sub>OLXM</sub> | $\overline{\text{XMUTE}}$ Sink Current        | 2.5V            | V <sub>XMUTE</sub> =0.5V            | 1                        | —    | —                  | mA   |
| I <sub>HKS</sub>  | $\overline{\text{HKS}}$ Pin Input Current     | 2.5V            | V <sub>HKS</sub> =2.5V              | —                        | —    | 0.1                | μA   |
| R <sub>HFI</sub>  | $\overline{\text{HFI}}$ Pull- High Resistance | 2.5V            | V <sub>HFI</sub> =0V                | —                        | 200  | —                  | kΩ   |
| I <sub>OH1</sub>  | Keypad Pin Source Current                     | 2.5V            | V <sub>OH</sub> =0V                 | -4                       | —    | -40                | μA   |
| I <sub>OL1</sub>  | Keypad Pin Sink Current                       | 2.5V            | V <sub>OL</sub> =2.5V               | 200                      | 400  | —                  | μA   |
| I <sub>OH2</sub>  | HFO Pin Source Current                        | 2.5V            | V <sub>OH</sub> =2V                 | -1                       | —    | —                  | mA   |
| I <sub>OL2</sub>  | HFO Pin Sink Current                          | 2.5V            | V <sub>OL</sub> =0.5V               | 1                        | —    | —                  | mA   |
| I <sub>OL3</sub>  | $\overline{\text{MODEO}}$ Sink Current        | 2.5V            | V <sub>OL</sub> =0.5V               | 0.6                      | 3.5  | —                  | mA   |

| Symbol            | Parameter                        | Test Conditions |            | Min. | Typ. | Max. | Unit |
|-------------------|----------------------------------|-----------------|------------|------|------|------|------|
|                   |                                  | V <sub>DD</sub> | Conditions |      |      |      |      |
| T <sub>FP</sub>   | Pause Time After Flash           | 2.5V            | —          | —    | 800  | —    | ms   |
| T <sub>RP</sub>   | One-key Redialing Pause Time     | 2.5V            | —          | —    | 800  | —    | ms   |
| F <sub>OSC</sub>  | System Frequency                 | —               | —          | —    | 3.58 | —    | MHz  |
| T <sub>DB</sub>   | Key-in Debounce Time             | 2.5V            | —          | —    | 20   | —    | ms   |
| T <sub>BRK</sub>  | Break Time For One-key Redialing | 2.5V            | —          | —    | 2.2  | —    | s    |
| T <sub>HKDL</sub> | Off-hook Delay Time              | 2.5V            | 10pps      | —    | 800  | —    | ms   |
|                   |                                  |                 | 20pps      | —    | 500  | —    |      |

**Pulse Mode Electrical Characteristics**

 F<sub>OSC</sub>=3.5795MHz, Ta=25°C

| Symbol           | Parameter                             | Test Conditions |  | Min. | Typ.  | Max. | Unit |
|------------------|---------------------------------------|-----------------|--|------|-------|------|------|
|                  |                                       | V <sub>DD</sub> | Conditions                               |      |       |      |      |
| I <sub>POH</sub> | $\overline{PO}$ Output Source Current | 2.5V            | V <sub>OH</sub> =2V                      | -0.2 | —     | —    | mA   |
| I <sub>POL</sub> | $\overline{PO}$ Output Sink Current   | 2.5V            | V <sub>OL</sub> =0.5V                    | 0.2  | 0.6   | —    | mA   |
| P <sub>R</sub>   | Pulse Rate                            | —               | MODE pin is connected to V <sub>DD</sub> | —    | 10    | —    | pps  |
|                  |                                       |                 | MODE pin is opened                       | —    | 20    | —    |      |
| M/B              | Make/Break Ratio                      | —               | —  | —    | 33:66 | —    | %    |
| T <sub>PDP</sub> | Pre-digit-pause Time                  | —               | M/B=33:66 (10 pps)                       | —    | 33    | —    | ms   |
|                  |                                       |                 | M/B=33:66 (20 pps)                       | —    | 17    | —    |      |
| T <sub>IDP</sub> | Inter-digit-pause Time                | —               | 10 pps                                   | —    | 800   | —    | ms   |
|                  |                                       |                 | 20 pps                                   | —    | 500   | —    |      |
| T <sub>M</sub>   | Pulse Make Duration                   | —               | 10 pps, M/B=1/2                          | —    | 33.3  | —    | ms   |
|                  |                                       |                 | 20 pps, M/B=1/2                          | —    | 16.7  | —    |      |
| T <sub>B</sub>   | Pulse Break Duration                  | —               | 10 pps, M/B=1/2                          | —    | 66.6  | —    | ms   |
|                  |                                       |                 | 20 pps, M/B=1/2                          | —    | 33.3  | —    |      |
| T <sub>P</sub>   | Pause Time                            | —               | —  | —    | 2.2   | —    | s    |

**Tone Mode Electrical Characteristics**

 F<sub>OSC</sub>=3.5795MHz, Ta=25°C

| Symbol            | Parameter                | Test Conditions |                                   | Min.                | Typ.  | Max.               | Unit             |
|-------------------|--------------------------|-----------------|-----------------------------------|---------------------|-------|--------------------|------------------|
|                   |                          | V <sub>DD</sub> | Conditions                        |                     |       |                    |                  |
| V <sub>TDC</sub>  | DTMF Output DC Level     | —               | No load                           | 0.45V <sub>DD</sub> | —     | 0.7V <sub>DD</sub> | V                |
| I <sub>TOL</sub>  | DTMF Sink Current        | 2.5V            | V <sub>DTMF</sub> =0.5V           | 0.1                 | —     | —                  | mA               |
| V <sub>TAC</sub>  | DTMF Output AC Level     | —               | Row group,<br>R <sub>L</sub> =5kΩ | 0.12                | 0.155 | 0.18               | V <sub>rms</sub> |
| R <sub>L</sub>    | DTMF Output Load         | 2.5V            | THD≤-23dB                         | 5                   | —     | —                  | kΩ               |
| A <sub>CR</sub>   | Column Pre-emphasis      | 2.5V            | Row group=0dB                     | 1                   | 2     | 3                  | dB               |
| THD               | Tone Signal Distortion   | 2.5V            | R <sub>L</sub> =5kΩ               | —                   | -30   | -23                | dB               |
| T <sub>TMIN</sub> | Minimum Tone Duration    | —               | Auto-redial                       | —                   | 94    | —                  | ms               |
| T <sub>ITPM</sub> | Minimum Inter-Tone Pause | —               | Auto-redial                       | —                   | 96    | —                  | ms               |

$$\text{THD (Distortion) (dB)} = 20 \log \left( \frac{\sqrt{V_f^2 + V_2^2 + \dots + V_n^2}}{\sqrt{V_i^2 + V_h^2}} \right)$$

 V<sub>i</sub>, V<sub>h</sub>: Row group and column group signals

 V<sub>1</sub>, V<sub>2</sub>, ... V<sub>n</sub>: Harmonic signals (BW=300Hz~3500Hz)

## Functional Description

### Keyboard matrix

$\overline{C1}$ – $\overline{C3}$ ,  $\overline{HKS}$  and  $\overline{R1}$ – $\overline{R4}$  form a keyboard matrix. Together with a standard 4×4 keyboard, the keyboard matrix is used for dialing entries. The keyboard arrangement of the HT93214 series is shown in the **Keyboard Information**.

### Tone frequency

| Tone Name       | Output Frequency (Hz) |        | % Error |
|-----------------|-----------------------|--------|---------|
|                 | Specified             | Actual |         |
| $\overline{R1}$ | 697                   | 699    | +0.29%  |
| $\overline{R2}$ | 770                   | 766    | −0.52%  |
| $\overline{R3}$ | 852                   | 847    | −0.59%  |
| $\overline{R4}$ | 941                   | 948    | +0.74%  |
| $\overline{C1}$ | 1209                  | 1215   | +0.50%  |
| $\overline{C2}$ | 1336                  | 1332   | −0.30%  |
| $\overline{C3}$ | 1477                  | 1472   | −0.34%  |

Note: % Error does not contain the crystal frequency drift

### Dialing specification selection

- The specifications are selected by the MODE pin.

| MODE     | Tone/Pulse | Dial Rate | M/B Ratio |
|----------|------------|-----------|-----------|
| VDD      | Pulse      | 10pps     | 1/2       |
| VSS      | Tone       | —         | —         |
| Floating | Pulse      | 20pps     | 1/2       |

- The MODE pin status is checked whenever a digit key is pressed, however the M/B and pulse rate are determined at the first key entry.

### Hand-free function operation

- When HFO is low, a falling edge triggers the  $\overline{HFI}$ , enabling the Hand-free function (HFO becomes high).
- Reset Hand-free function  
When HFO is high, the Hand-free function is enabled and can be reset by:
  - Off-hook
  - Applying a falling edge to  $\overline{HFI}$

- Hand-free function table

| Current State |      | Next State         |      |          |
|---------------|------|--------------------|------|----------|
| Hook SW       | HFO  | Input              | HFO  | Dialing? |
| —             | Low  | $\overline{HFI}$ ↓ | High | Yes      |
| On-hook       | High | $\overline{HFI}$ ↓ | Low  | No       |
| Off-hook      | High | $\overline{HFI}$ ↓ | Low  | Yes      |
| On-hook       | —    | of off-hook        | Low  | Yes      |
| Off-hook      | Low  | on-hook            | Low  | No       |
| Off-hook      | High | on-hook            | High | Yes      |

### Flash

Two flash keys are provided, namely F1, F2 for both series. All the flash key function as control key with different break duration. Whenever a flash key is pressed the  $\overline{PO}$  pin will be forced low for a  $T_F$  duration and the transmission of the new digit key inputs will be further delayed for a  $T_{FP}$  after  $T_F$ . See the following table for flash duration selection.

| Item    | F1    | F2    |
|---------|-------|-------|
| HT93214 | 300ms | 600ms |

### Key definition

- 0, 1, 2, 3, 4, 5, 6, 7, 8, 9 keys  
These are dialing number input keys for both the pulse mode and the tone mode operation.
- \* / T  
This key executes the P→T function and waits a  $T_{P→T}$  duration in the pulse mode. On the other hand, the \* / T key executes the \* function in the tone mode. The \* / T key will occupy one memory digit in either tone or pulse mode.
- #  
This is a dialing signal key for the tone mode only, no response in the pulse mode.
- F1, F2  
Pressing one of the flash keys will force the  $\overline{PO}$  pin to become low for the  $T_F$  duration. To transmit the dial signals of the key input that are entered after the F key, a wait period  $T_{FP}$  (sec) after  $\overline{PO}$  pin returns from low is provided.
- P  
Pause key. The execution of this key pauses the output for the  $T_P$  duration (2.2s).
- R  
Redial key. It executes redialing as well as one-key redial function.

**Keyboard Operation**

The following operations are described under an on-off-hook or on-hook condition with the hand-free active condition.

- Normal dialing

- Pulse mode

- (a) without \*/T

Keyboard input: D1 D2 ... Dn

Dialing output: D1 D2 ... Dn

RM: D1 D2 ... Dn

- (b) with \*/T

Keyboard input: D1 D2 ... Dn \*/T Dn+1 ...  
Dm

Dialing output: D1 D2 ... Dn  $T_{P \rightarrow T}$  Dn+1 ... Dm  
Pulse Tone

RM: D1 D2 ... Dn \*/T Dn+1 ... Dm

- Tone mode

- (a) without \*/T

Keyboard input: D1 D2 ... Dn

Dialing output: D1 D2 ... Dn

RM: D1 D2 ... Dn

- (b) with \*/T

Keyboard input: D1 D2 ... Dn \*/T Dn+1 ...  
Dm

Dialing output: D1 D2 ... Dn \* Dn+1 ... Dm

RM: D1 D2 ... Dn \* Dn+1 ... Dm

Note: The maximum capacity of the RM memory is 32 digits. When more than 32 digits are entered, the signal is transmitted but the redial function is inhibited.

- Redial

- Pulse mode

- (a) without \*/T

RM content: D1 D2 ... Dn

Keyboard input: R

Dialing output: D1 D2 ... Dn

RM: Unchanged

- (b) with \*/T

RM content: D1 D2 ... Dn \*/T Dn+1 ... Dm

Keyboard input: R

Dialing output: D1 D2 ... Dn  $T_{P \rightarrow T}$  Dn+1 ... Dm  
Pulse Tone

RM: Unchanged

- Tone mode

- (a) without \*/T

RM content: D1 D2 ... Dn

Keyboard input: R

Dialing output: D1 D2 ... Dn

RM: Unchanged

- (b) with \*/T

RM content: D1 D2 ... Dn \*/T Dn+1 ... Dm

Keyboard input: R

Dialing output: D1 D2 ... Dn \* Dn+1 ... Dm

RM: Unchanged

• One-key redial

– Pulse mode

(a) without \*/T

Keyboard input:  $\boxed{D1} \boxed{D2} \dots \boxed{Dn} \boxed{R}$   
 Dialing output: D1 D2 ... Dn TBRK TRP  
                   D1 D2 ... Dn  
 RM: D1 D2 ... Dn

(b) with \*/T

Keyboard input:  $\boxed{D1} \boxed{D2} \dots \boxed{Dn} \boxed{*/T} \boxed{Dn+1} \dots$   
                    $\boxed{Dm} \boxed{R}$   
 Dialing output:  $\underbrace{D1 \ D2 \ \dots \ Dn}_{\text{Pulse}} \ \underbrace{TP \rightarrow T \ Dn+1 \ \dots \ Dm}_{\text{Tone}}$   
                   TBRK TRP  $\underbrace{D1 \ D2 \ \dots \ Dn}_{\text{Pulse}} \ TP \rightarrow T$   
                    $\underbrace{Dn+1 \ \dots \ Dm}_{\text{Tone}}$   
 RM: D1 D2 ... Dn \*/T Dn+1 ... Dm

– Tone mode

(a) without \*/T

Keyboard input:  $\boxed{D1} \boxed{D2} \dots \boxed{Dn} \boxed{R}$   
 Dialing output: D1 D2 ... Dn TBRK TRP D1 D2  
                   ... Dn  
 RM: D1 D2 ... Dn

(b) with \*/T

Keyboard input:  $\boxed{D1} \boxed{D2} \dots \boxed{Dn} \boxed{*/T} \boxed{Dn+1} \dots$   
                    $\boxed{Dm} \boxed{R}$   
 Dialing output: D1 D2 ... Dn \* Dn+1 ... Dm  
                   TBRK TRP D1 D2 ... Dn \* Dn+1  
                   ... Dm  
 RM: D1 D2 ... Dn \* Dn+1 ... Dm

Note: If the dialing number exceeds 32 digits, redialing is inhibited and  $\overline{PO}$ =open

• Flash

– Flash as a control key

Keyboard input:  $\boxed{D1} \boxed{D2} \dots \boxed{Dn} \boxed{F} \boxed{Dn+1} \dots$   
                    $\boxed{Dm}$   
 Dialing output: D1 D2 ... Dn TF TFP Dn+1 ...  
                   Dm  
 RM: Dn+1 ... Dm

Note: TF: break a flash time

• Pause

Keyboard input:  $\boxed{D1} \boxed{D2} \dots \boxed{Dn} \boxed{P} \boxed{Dn+1} \dots \boxed{Dm}$   
 Dialing output: D1 D2 ... Dn TP Dn+1 ... Dm  
 RM: D1 D2 ... Dn P Dn+1 ... Dm

• Note

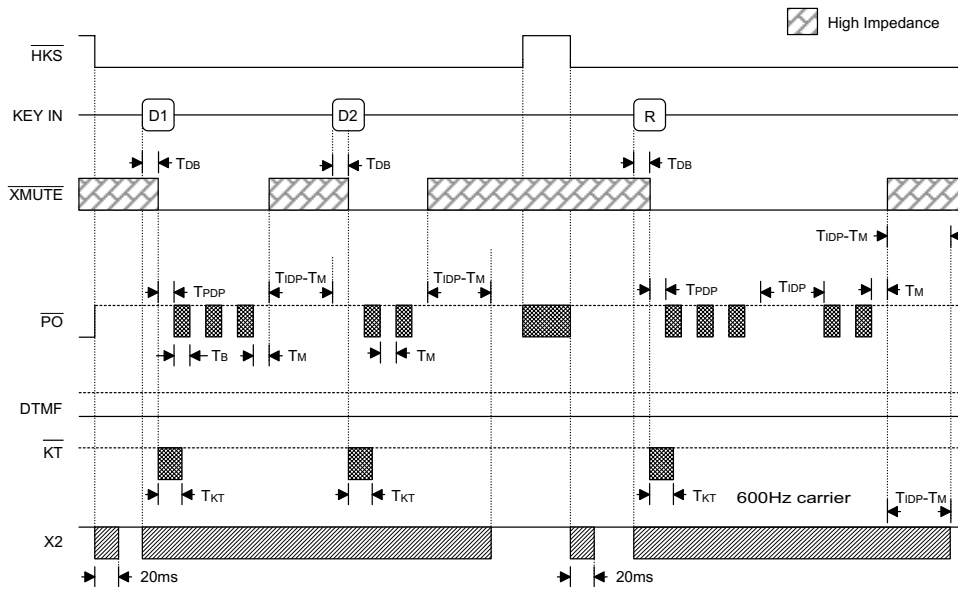
RM: Redial memory  
 D1 D2 ... Dn: 0~9  
 Dn+1 ... Dm: 0~9, \*, #



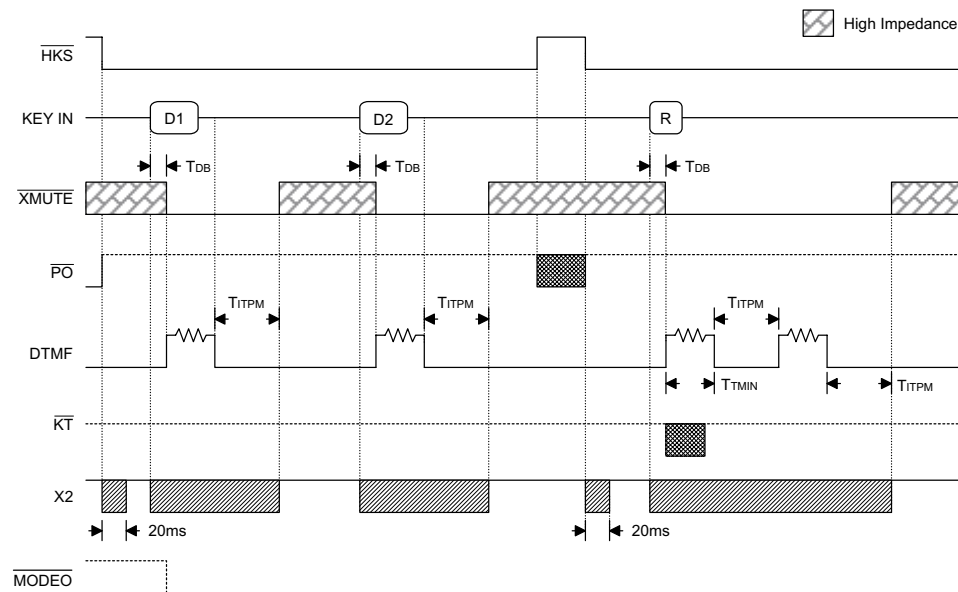
**Timing Diagrams**

**Normal dialing**

- Pulse mode

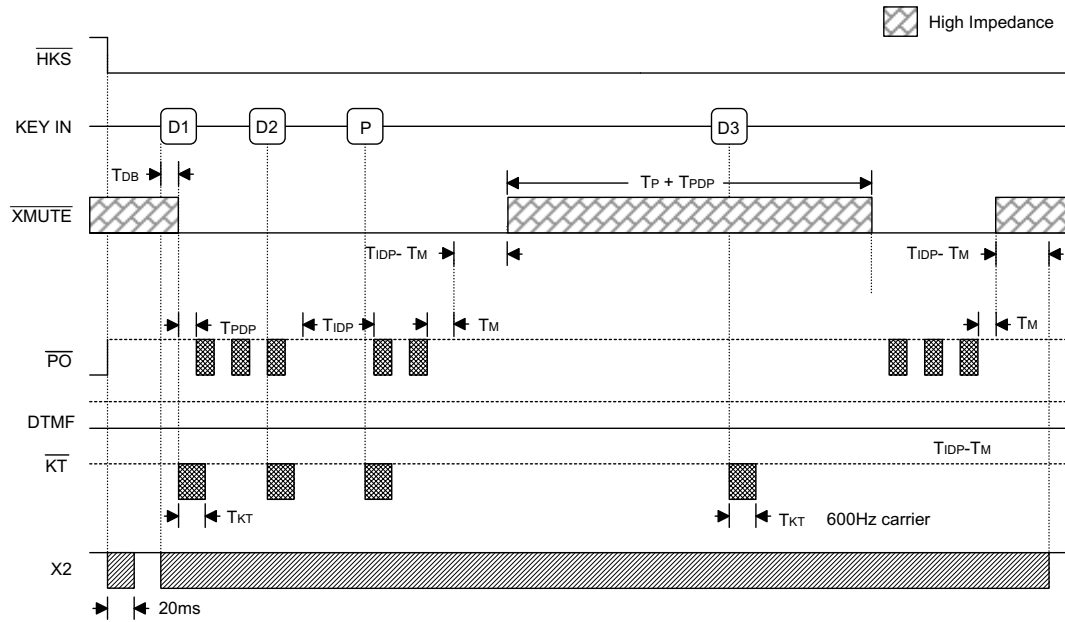


- Tone mode

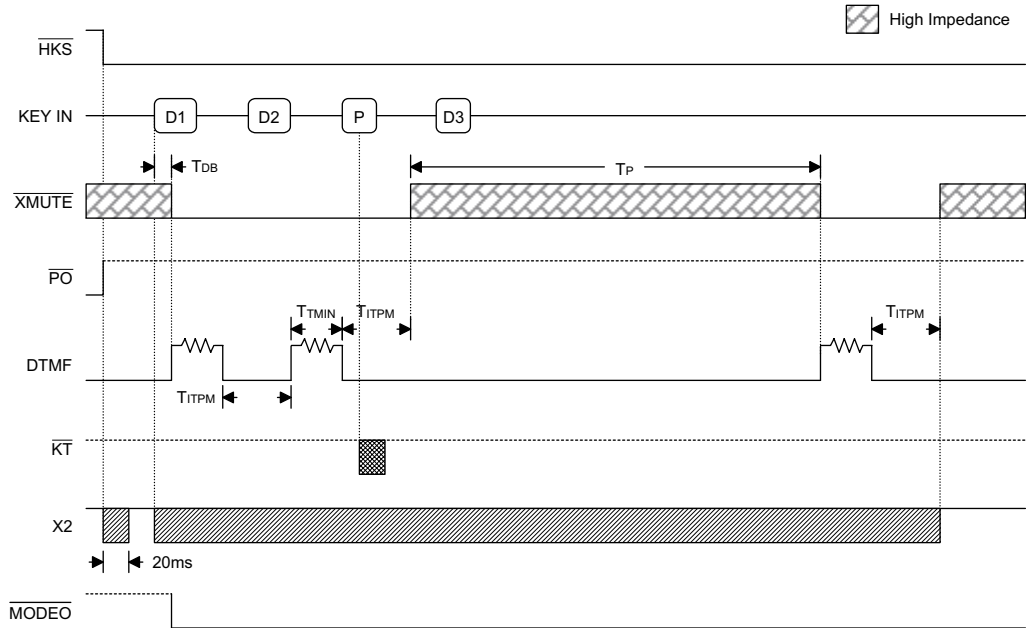


**Dialing with PAUSE key**

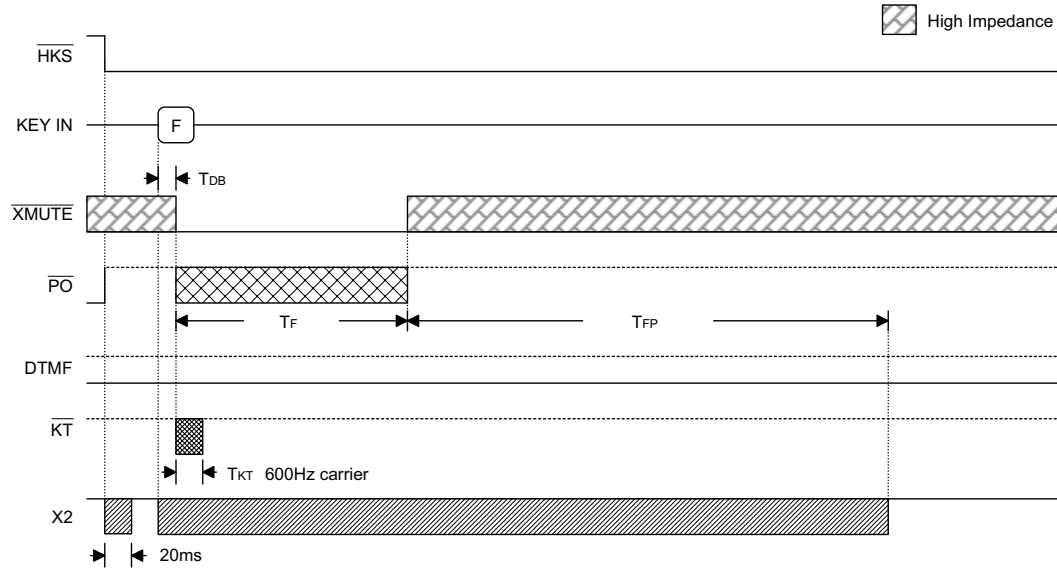
- Pulse mode



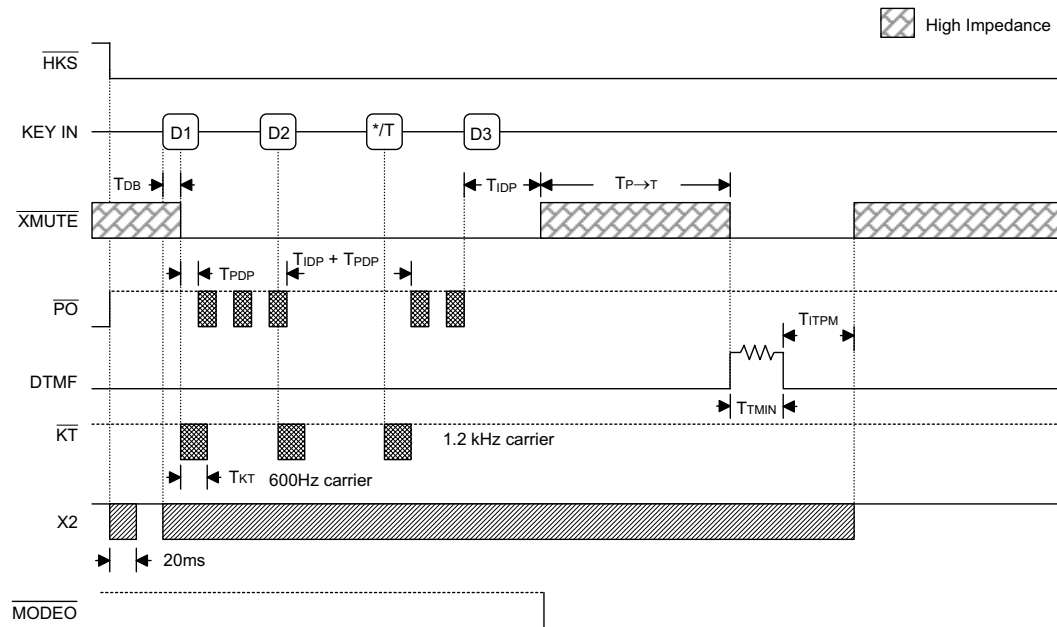
- Tone mode



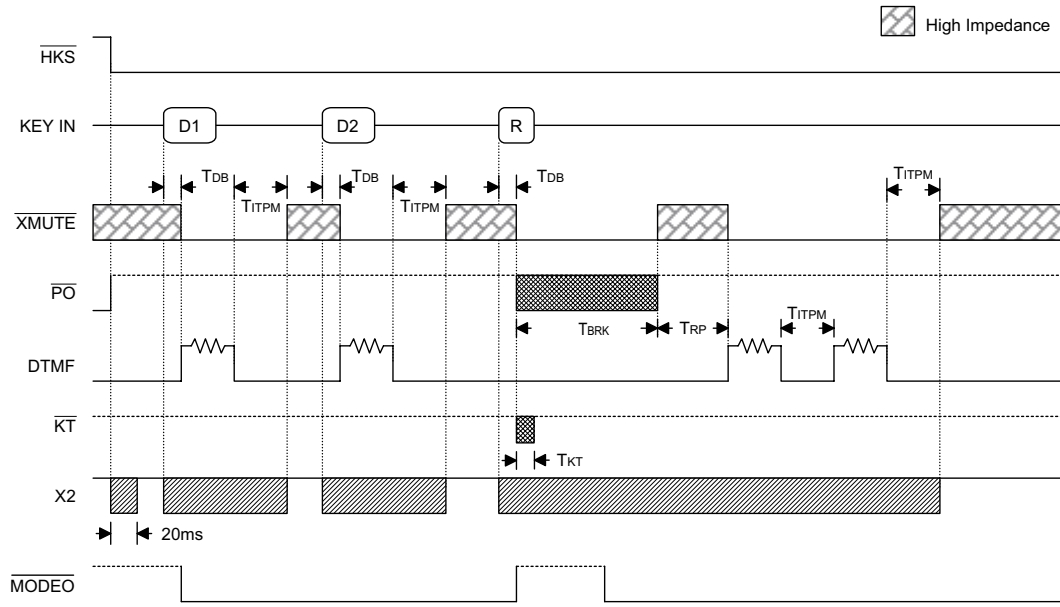
• Flash key operation



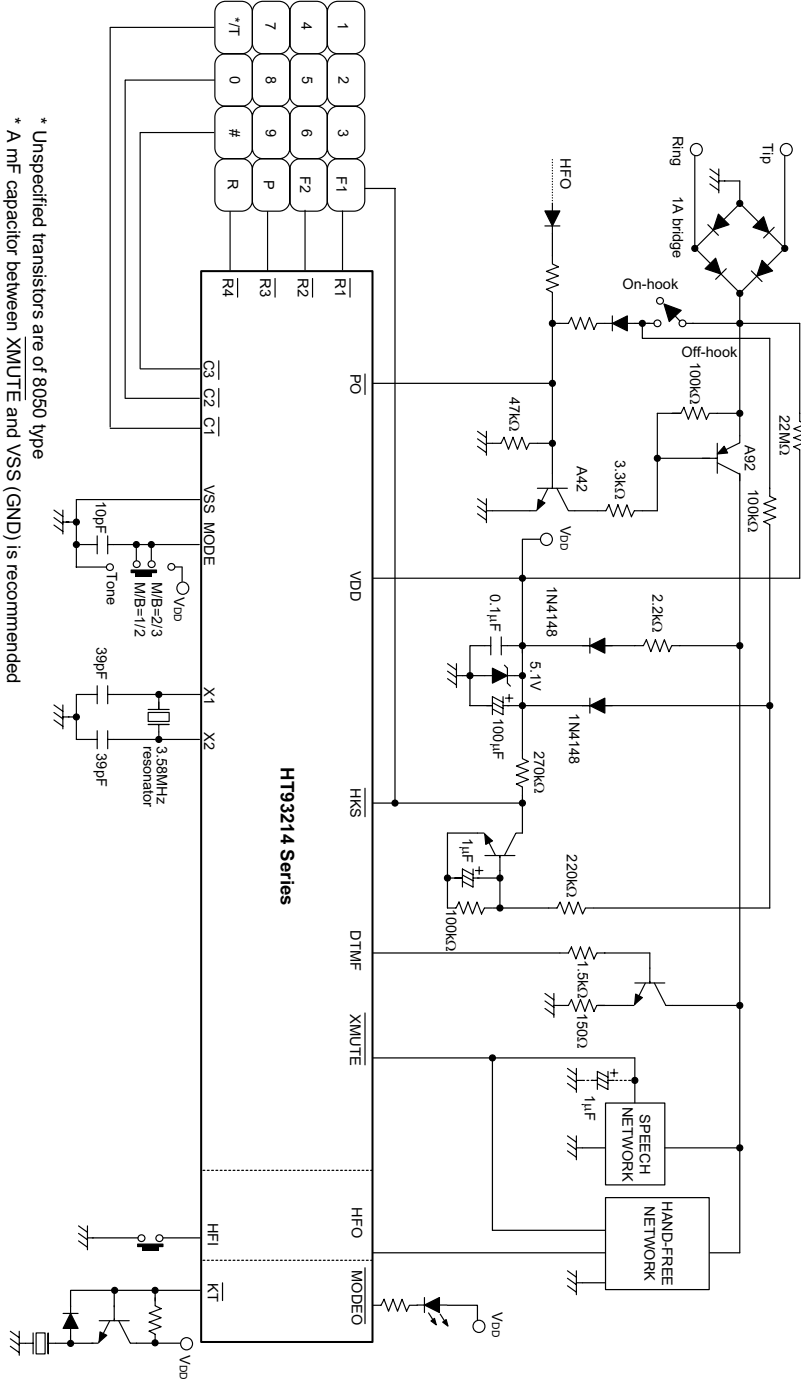
• Pulse to Tone operation



- One key redial operation



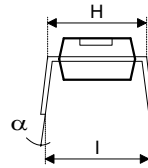
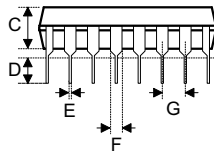
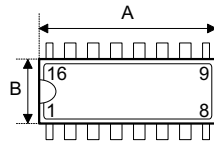
**Application Circuits**



\* Unspecified transistors are of 8050 type  
 \* A 1µF capacitor between XMUTE and VSS (GND) is recommended

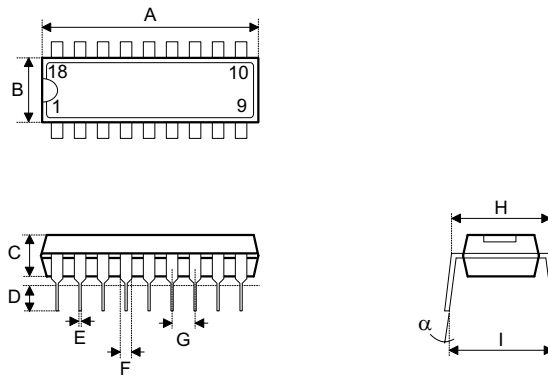
**Package Information**

16-pin DIP (300mil) outline dimensions



| Symbol   | Dimensions in mil |      |      |
|----------|-------------------|------|------|
|          | Min.              | Nom. | Max. |
| A        | 745               | —    | 775  |
| B        | 240               | —    | 260  |
| C        | 125               | —    | 135  |
| D        | 125               | —    | 145  |
| E        | 16                | —    | 20   |
| F        | 50                | —    | 70   |
| G        | —                 | 100  | —    |
| H        | 295               | —    | 315  |
| I        | 335               | —    | 375  |
| $\alpha$ | 0°                | —    | 15°  |

18-pin DIP (300mil) outline dimensions



| Symbol   | Dimensions in mil |      |      |
|----------|-------------------|------|------|
|          | Min.              | Nom. | Max. |
| A        | 895               | —    | 915  |
| B        | 240               | —    | 260  |
| C        | 125               | —    | 135  |
| D        | 125               | —    | 145  |
| E        | 16                | —    | 20   |
| F        | 50                | —    | 70   |
| G        | —                 | 100  | —    |
| H        | 295               | —    | 315  |
| I        | 335               | —    | 375  |
| $\alpha$ | 0°                | —    | 15°  |

**Holtek Semiconductor Inc. (Headquarters)**

No.3, Creation Rd. II, Science-based Industrial Park, Hsinchu, Taiwan  
Tel: 886-3-563-1999  
Fax: 886-3-563-1189  
<http://www.holtek.com.tw>

**Holtek Semiconductor Inc. (Sales Office)**

11F, No.576, Sec.7 Chung Hsiao E. Rd., Taipei, Taiwan  
Tel: 886-2-2782-9635  
Fax: 886-2-2782-9636  
Fax: 886-2-2782-7128 (International sales hotline)

**Holtek Semiconductor (Shanghai) Inc.**

7th Floor, Building 2, No.889, Yi Shan Rd., Shanghai, China  
Tel: 021-6485-5560  
Fax: 021-6485-0313  
<http://www.holtek.com.cn>

**Holtek Semiconductor (Hong Kong) Ltd.**

RM.711, Tower 2, Cheung Sha Wan Plaza, 833 Cheung Sha Wan Rd., Kowloon, Hong Kong  
Tel: 852-2-745-8288  
Fax: 852-2-742-8657

**Holmate Semiconductor, Inc.**

48531 Warm Springs Boulevard, Suite 413, Fremont, CA 94539  
Tel: 510-252-9880  
Fax: 510-252-9885  
<http://www.holmate.com>

Copyright © 2002 by HOLTEK SEMICONDUCTOR INC.

The information appearing in this Data Sheet is believed to be accurate at the time of publication. However, Holtek assumes no responsibility arising from the use of the specifications described. The applications mentioned herein are used solely for the purpose of illustration and Holtek makes no warranty or representation that such applications will be suitable without further modification, nor recommends the use of its products for application that may present a risk to human life due to malfunction or otherwise. Holtek reserves the right to alter its products without prior notification. For the most up-to-date information, please visit our web site at <http://www.holtek.com.tw>.