

## Low Charge Injection, 8-Channel, Unipolar, Negative High Voltage, Analog Switch

### Features

- ▶ Low on-resistance, 14Ω max.
- ▶ HVCMOS technology for high performance
- ▶ 3.3 or 5.0V CMOS input logic level
- ▶ 20MHz data shift clock frequency
- ▶ Very low quiescent power dissipation - 10μA
- ▶ Low parasitic capacitance
- ▶ DC to 10MHz analog signal frequency
- ▶ -60dB typical off-isolation at 5MHz
- ▶ CMOS logic circuitry for low power
- ▶ Excellent noise immunity
- ▶ Cascadable serial data register with latches
- ▶ Flexible operating supply voltages

### Applications

- ▶ NDT metal flaw detection
- ▶ Medical ultrasound imaging
- ▶ Piezoelectric transducer drivers
- ▶ Inkjet printer heads
- ▶ Optical MEMS modules

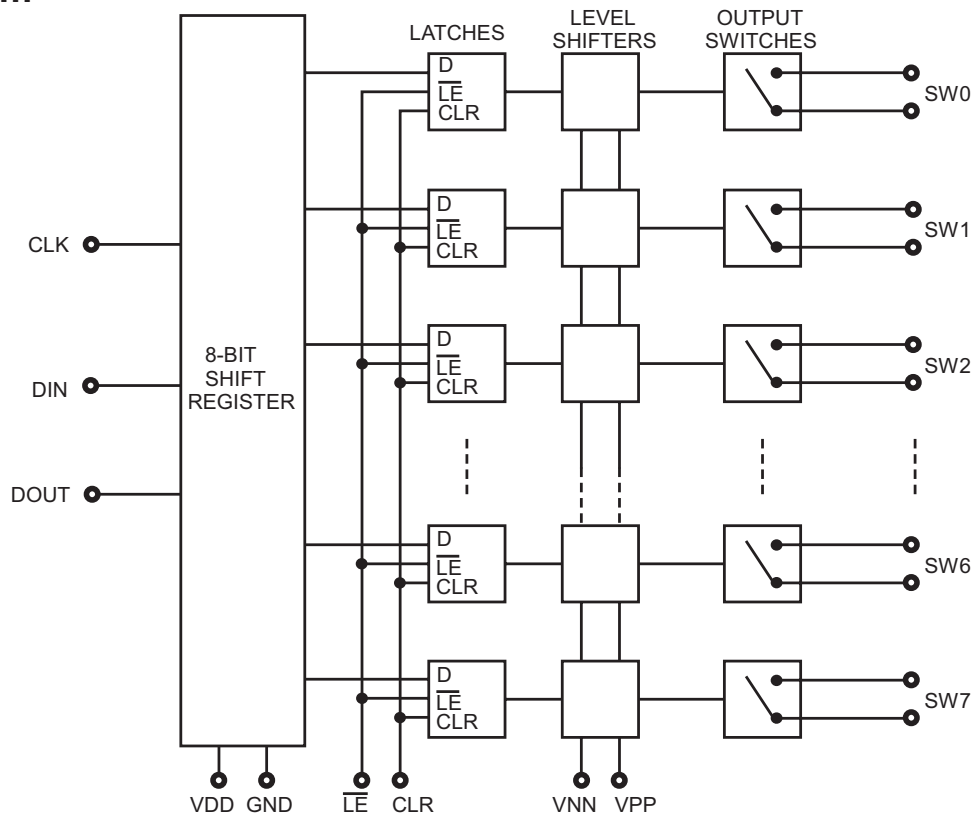
### General Description

The Supertex HV2221 is a low charge injection, 8-channel, unipolar, negative high voltage, analog switch integrated circuit (IC) intended for use in applications requiring high voltage switching controlled by low voltage control signals, such as NDT ultrasound flaw detection, medical ultrasound imaging, piezoelectric transducer drivers, and printers.

Data is input into an 8-bit shift register that can then be retained in an 8-bit latch. To reduce any possible clock feed-through noise, the latch enable bar should be left high until all bits are clocked in. Data is clocked in during the rising edge of the clock.

Using HVCMOS technology, this device combines high voltage bilateral DMOS switches and low power CMOS logic to provide efficient control of high voltage analog signals.

### Block Diagram



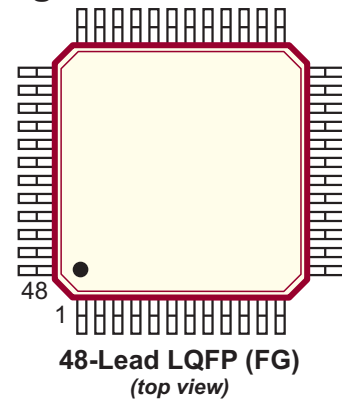
## Ordering Information

<b>Device</b>	<b>48-Lead LQFP</b> 7x7mm body, 1.6mm height (max), 0.50mm pitch
HV2221	HV2221FG-G

-G indicates package is RoHS compliant ("Green")



## Pin Configuration

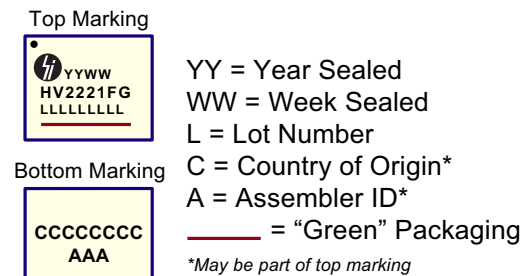


## Absolute Maximum Ratings

Parameter	Value
$V_{DD}$ logic supply	-0.5V to +7.0V
$V_{PP}-V_{NN}$ differential supply	260V
$V_{PP}$ positive supply	-0.5V to $V_{NN} + 260V$
$V_{NN}$ negative supply	+0.5V to -250V
Logic input voltage	-0.5V to $V_{DD} + 0.3V$
Analog signal range	$V_{NN}$ to $V_{PP}$
Peak analog signal current/channel	4.5A
Storage temperature	-65°C to 150°C
Power dissipation	1.0W

Absolute Maximum Ratings are those values beyond which damage to the device may occur. Functional operation under these conditions is not implied. Continuous operation of the device at the absolute rating level may affect device reliability. All voltages are referenced to device ground.

## Product Marking



### 48-Lead LQFP (FG)

## Operating Conditions

Sym	Parameter	Value
$V_{DD}$	Logic power supply voltage	3.0V to 5.5V
$V_{PP} - V_{NN}$	Supply voltage differential	240V
$V_{PP}$	Positive driver supply	+15V to +50V
$V_{NN}$	Negative high voltage supply	-100V to -225V
$V_{IH}$	High level input voltage	$0.9V_{DD}$ to $V_{DD}$
$V_{IL}$	Low-level input voltage	0V to $0.1V_{DD}$
$V_{SIG}$	Analog signal voltage peak-to-peak	$V_{NN} + 10V$ to $V_{PP} - 10V$
$T_A$	Operating free air temperature	0°C to 70°C

### Notes:

- Power up/down sequence is arbitrary except GND must be powered-up first and powered-down last.
- $V_{SIG}$  must be  $V_{NN} \leq V_{SIG} \leq V_{PP}$  or floating during power up/down transition.
- Rise and fall times of power supplies  $V_{DD}$ ,  $V_{PP}$  and  $V_{NN}$  should not be less than 1.0msec.

**DC Electrical Characteristics**

(Over operating conditions unless otherwise specified)

Sym	Parameter	0°C		+25°C			+70°C		Units	Conditions	
		Min	Max	Min	Typ	Max	Min	Max			
R <sub>ONS</sub>	Small signal switch on-resistance	-	-	-	-	14	-	-	Ω	I <sub>SIG</sub> = 5.0mA	V <sub>PP</sub> = +50V V <sub>NN</sub> = -190V
		-	-	-	-	14	-	-		I <sub>SIG</sub> = 200mA	V <sub>NN</sub> = -200V
		-	-	-	-	15	-	-		I <sub>SIG</sub> = 5.0mA	V <sub>PP</sub> = +40V V <sub>NN</sub> = -200V
		-	-	-	-	15	-	-		I <sub>SIG</sub> = 200mA	V <sub>NN</sub> = -200V
		-	-	-	-	23	-	-		I <sub>SIG</sub> = 5.0mA	V <sub>PP</sub> = +15V V <sub>NN</sub> = -225V
		-	-	-	-	23	-	-		I <sub>SIG</sub> = 200mA	V <sub>NN</sub> = -225V
ΔR <sub>ONS</sub>	Small signal switch on-resistance matching	-	20	-	5.0	20	-	20	%	I <sub>SIG</sub> = 5.0mA, V <sub>PP</sub> = +40V, V <sub>NN</sub> = -200V	
R <sub>ONL</sub>	Large signal switch on-resistance	-	-	-	9.2	-	-	-	Ω	V <sub>SIG</sub> = 0V, I <sub>SIG</sub> = -1.0A	
I <sub>SOL</sub>	Switch off-leakage per switch	-	5.0	-	1.0	10	-	15	μA	V <sub>SIG</sub> = V <sub>PP</sub> -10V, V <sub>NN</sub> +10V	
V <sub>OS(OFF)</sub>	DC offset switch off	-	300	-	100	300	-	300	mV	100KΩ load	
V <sub>OS(ON)</sub>	DC offset switch on	-	500	-	100	500	-	500			
I <sub>DDQ</sub>	Quiescent V <sub>DD</sub> supply current	-	-	-	-	50	-	-	μA	All switches off	
I <sub>PPQ</sub>	Quiescent V <sub>PP</sub> supply current	-	-	-	-	50	-	-			
I <sub>NNQ</sub>	Quiescent V <sub>NN</sub> supply current	-	-	-	-	-50	-	-			
I <sub>DDQ</sub>	Quiescent V <sub>DD</sub> supply current	-	-	-	-	50	-	-	μA	All switches on, I <sub>SW</sub> = 5.0mA	
I <sub>PPQ</sub>	Quiescent V <sub>PP</sub> supply current	-	-	-	-	50	-	-			
I <sub>NNQ</sub>	Quiescent V <sub>NN</sub> supply current	-	-	-	-	-50	-	-			
I <sub>SW</sub>	Switch output peak current	-	-	-	4.5	-	-	-	A	V <sub>SIG</sub> duty cycle < 0.1%, 1.0μs	V <sub>PP</sub> = +50V V <sub>NN</sub> = -190V
		-	-	-	4.0	-	-	-			V <sub>PP</sub> = +40V V <sub>NN</sub> = -200V
		-	-	-	2.0	-	-	-			V <sub>PP</sub> = +15V V <sub>NN</sub> = -225V
f <sub>SW</sub>	Output switching frequency	-	-	-	-	50	-	-	kHz	Duty cycle = 50%	
I <sub>PP</sub>	Average V <sub>PP</sub> supply current	-	-	-	5.6	7.5	-	-	mA	V <sub>PP</sub> = +40V V <sub>NN</sub> = -200V	50kHz output switching frequency with no load
		-	-	-	5.6	7.5	-	-		V <sub>PP</sub> = +50V V <sub>NN</sub> = -190V	
		-	-	-	5.6	7.5	-	-		V <sub>PP</sub> = +15V V <sub>NN</sub> = -225V	
I <sub>NN</sub>	Average V <sub>NN</sub> supply current	-	-	-	5.8	7.5	-	-	mA	V <sub>PP</sub> = +40V V <sub>NN</sub> = -200V	
		-	-	-	5.8	7.5	-	-		V <sub>PP</sub> = +50V V <sub>NN</sub> = -190V	
		-	-	-	5.8	7.5	-	-		V <sub>PP</sub> = +15V V <sub>NN</sub> = -225V	
I <sub>DD</sub>	Average V <sub>DD</sub> supply current	-	4.5	-	-	4.5	-	4.5	mA	f <sub>CLK</sub> = 5.0MHz, V <sub>DD</sub> = 5.0V	
I <sub>DDQ</sub>	Quiescent V <sub>DD</sub> supply current	-	10	-	-	10	-	10	μA	All logic inputs are static	
I <sub>SOR</sub>	D <sub>OUT</sub> source current	0.45	-	0.45	0.70	-	0.40	-	mA	V <sub>OUT</sub> = V <sub>DD</sub> -0.7V	
I <sub>SINK</sub>	D <sub>OUT</sub> sink current	0.45	-	0.45	0.70	-	0.40	-	mA	V <sub>OUT</sub> = 0.7V	
C <sub>IN</sub>	Logic input capacitance	-	10	-	-	10	-	10	pF	---	

**AC Electrical Characteristics**

(Over recommended operating conditions:  $V_{DD} = +5.0V$ ,  $t_R = t_F \leq 5.0ns$ , 50% duty cycle,  $V_{PP} = +40V$ ,  $V_{NN} = -200V$ ,  $C_{LOAD} = 20pF$ , unless otherwise specified)

Sym	Parameter	0°C		+25°C			+70°C		Units	Conditions
		Min	Max	Min	Typ	Max	Min	Max		
$t_{SD}$	Set up time before $\overline{LE}$ rises	-	-	25	-	-	-	-	ns	---
$t_{WLE}$	Time width of $\overline{LE}$	-	-	-	56	-	-	-	ns	$V_{DD} = 3.0V$
		-	-	-	12	-	-	-		$V_{DD} = 5.0V$
$t_{DO}$	Clock delay time to data out	-	-	-	78	-	-	-	ns	$V_{DD} = 3.0V$
		-	-	-	30	-	-	-		$V_{DD} = 5.0V$
$t_{WCL}$	Time width of CLR	-	-	55	-	-	-	-	ns	---
$t_{SU}$	Set up time data to clock	-	-	-	21	-	-	-	ns	$V_{DD} = 3.0V$
		-	-	-	7.0	-	-	-		$V_{DD} = 5.0V$
$t_H$	Hold time data from clock	2.0	-	2.0	-	-	2.0	-	ns	$V_{DD} = 3.0$ or $5.0V$
$f_{CLK}$	Clock frequency	-	-	-	-	8.0	-	-	MHz	$V_{DD} = 3.0V$
		-	-	-	-	20	-	-		$V_{DD} = 5.0V$
$t_R, t_F$	Clock rise and fall times	-	50	-	-	50	-	50	ns	---
$t_{ON}$	Turn on time	-	5.0	-	-	5.0	-	5.0	$\mu s$	$V_{SIG} = -100V$ , $R_{LOAD} = 10k\Omega$ to GND
$t_{OFF}$	Turn off time	-	5.0	-	-	5.0	-	5.0		
dv/dt	Maximum $V_{SIG}$ slew rate	-	20	-	-	20	-	20	V/ns	$V_{PP} = +40V, V_{NN} = -200V$
		-	20	-	-	20	-	20		$V_{PP} = +50V, V_{NN} = -190V$
		-	20	-	-	20	-	20		$V_{PP} = +15V, V_{NN} = -225V$
$K_O$	Off isolation	-30	-	-30	-33	-	-30	-	dB	$f = 5.0MHz, V_{OFFSET} = -15V$ , 1.0K $\Omega$ /15pF load
		-58	-	-58	-	-	-58	-		$f = 5.0MHz, V_{OFFSET} = -15V$ , 50 $\Omega$ load
$K_{CR}$	Switch crosstalk	-	-	-60	-	-	-	-	dB	$f = 5.0MHz, V_{OFFSET} = -15V$ , 50 $\Omega$ load
$I_{ID}$	Output switch isolation diode current	-	300	-	-	300	-	300	mA	300ns pulse width, 2.0% duty cycle
$C_{SG(OFF)}$	Off capacitance SW to GND	-	-	-	18	-	-	-	pF	$f = 1.0MHz, V_{OFFSET} = -15V$
$C_{SG(ON)}$	On capacitance SW to GND	-	-	-	70	-	-	-	pF	$f = 1.0MHz, V_{OFFSET} = -15V$
$+V_{SPK}$	Output voltage spike	-	-	-	59	-	-	-	mV	$V_{PP} = +40V, V_{NN} = -200V$ , $R_{LOAD} = 50\Omega$
$-V_{SPK}$		-	-	-	115	-	-	-		
$+V_{SPK}$		-	-	-	71	-	-	-		$V_{PP} = +50V, V_{NN} = -190V$ , $R_{LOAD} = 50\Omega$
$-V_{SPK}$		-	-	-	115	-	-	-		
$+V_{SPK}$		-	-	-	56	-	-	-		$V_{PP} = +15V, V_{NN} = -225V$ , $R_{LOAD} = 50\Omega$
$-V_{SPK}$		-	-	-	115	-	-	-		
QC	Charge injection	-	-	-	1950	-	-	-	pC	$V_{PP} = +40V, V_{NN} = -200V$ , $V_{SIG} = 0V$
		-	-	-	1890	-	-	-		$V_{PP} = +50V, V_{NN} = -190V$ , $V_{SIG} = 0V$
		-	-	-	2110	-	-	-		$V_{PP} = +15V, V_{NN} = -225V$ , $V_{SIG} = 0V$

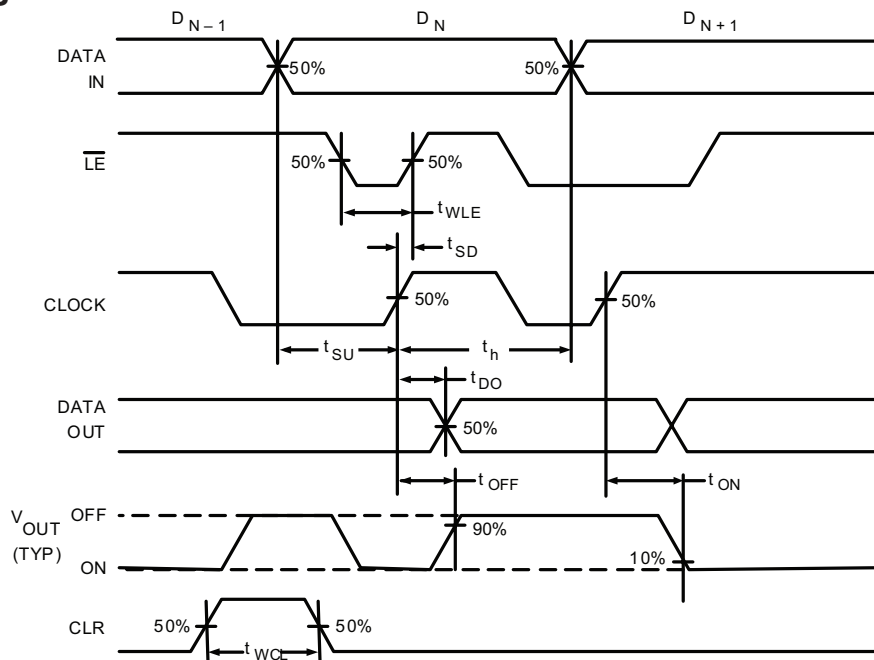
Truth Table

D0	D1	D2	D3	D4	D5	D6	D7	$\overline{LE}$	CLR	SW0	SW1	SW2	SW3	SW4	SW5	SW6	SW7
L								L	L	Off							
H								L	L	On							
	L							L	L		Off						
	H							L	L		On						
		L						L	L			Off					
		H						L	L			On					
			L					L	L				Off				
			H					L	L				On				
				L				L	L					Off			
				H				L	L					On			
					L			L	L						Off		
					H			L	L						On		
						L		L	L							Off	
						H		L	L							On	
							L	L	L								Off
							H	L	L								On
X	X	X	X	X	X	X	X	H	L	Hold Previous State							
X	X	X	X	X	X	X	X	X	H	All Switches Off							

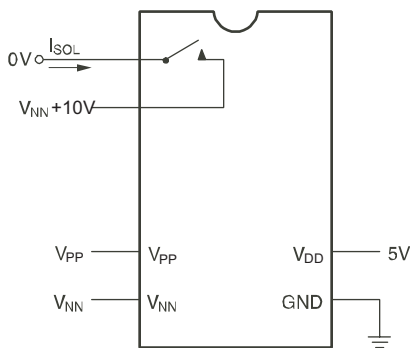
Notes:

1. The eight switches operate independently.
2. Serial data is clocked in on the L to H transition of the CLK.
3. The switches go to a state retaining their present condition at the rising edge of  $\overline{LE}$ . When  $\overline{LE}$  is low the shift register data flow through the latch.
4.  $D_{OUT}$  is high when data in the shift register 7 is high.
5. Shift register clocking has no effect on the switch states if  $\overline{LE}$  is high.
6. The CLR clear input overrides all other inputs.

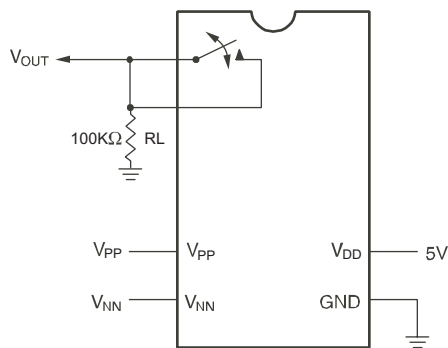
Logic Timing Waveforms



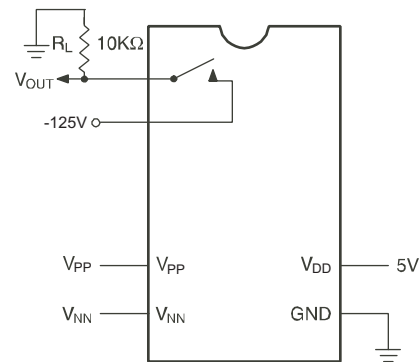
Test Circuits



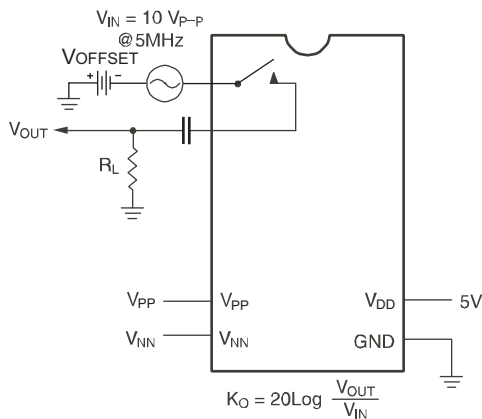
Switch OFF Leakage



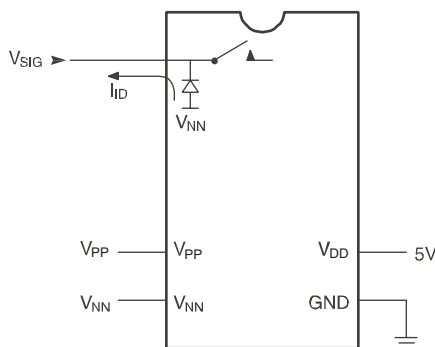
DC Offset ON/OFF



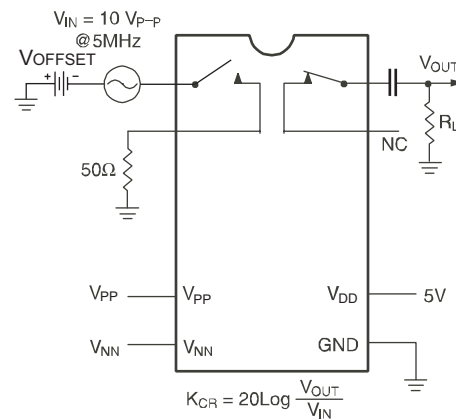
T<sub>ON</sub>/T<sub>OFF</sub> Test Circuit



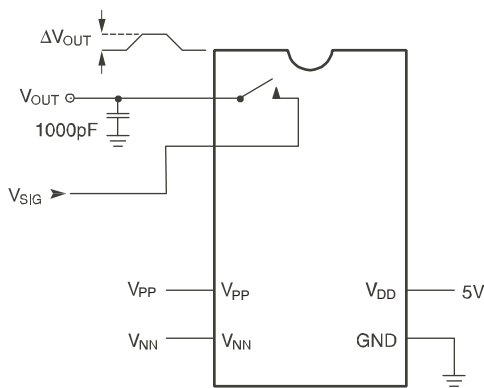
$K_O = 20 \text{Log} \frac{V_{OUT}}{V_{IN}}$   
OFF Isolation



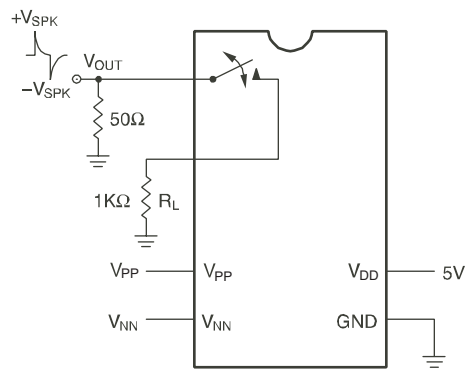
Isolation Diode Current



$K_{CR} = 20 \text{Log} \frac{V_{OUT}}{V_{IN}}$   
Crosstalk



$Q = 1000 \text{pF} \times \Delta V_{OUT}$   
Charge Injection



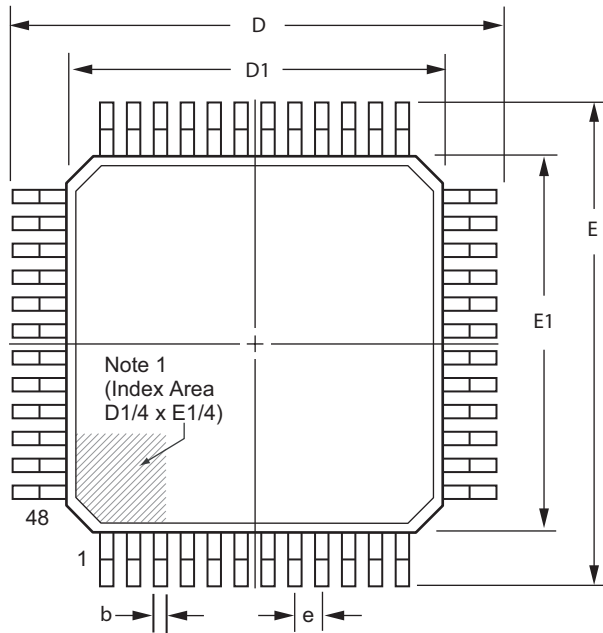
Output Voltage Spike

## Pin Configuration - 48-Lead LQFP (FG)

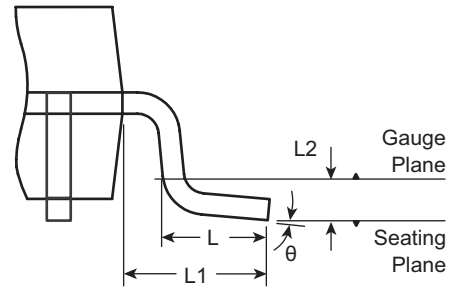
Pin #	Pin Name	Pin #	Pin Name
1	SW5	25	VNN
2	NC	26	NC
3	SW4	27	NC
4	NC	28	GND
5	SW4	29	VDD
6	NC	30	NC
7	NC	31	NC
8	SW3	32	NC
9	NC	33	DIN
10	SW3	34	CLK
11	NC	35	$\overline{LE}$
12	SW2	36	CLR
13	NC	37	DOUT
14	SW2	38	NC
15	NC	39	SW7
16	SW1	40	NC
17	NC	41	SW7
18	SW1	42	NC
19	NC	43	SW6
20	SW0	44	NC
21	NC	45	SW6
22	SW0	46	NC
23	NC	47	SW5
24	VPP	48	NC

# 48-Lead LQFP Package Outline (FG)

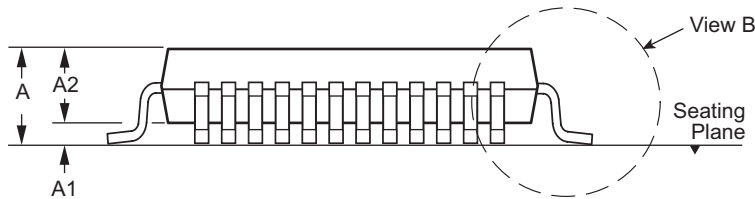
7x7mm body, 1.6mm height (max.), 0.50mm pitch



**Top View**



**View B**



**Side View**

**Note 1:**

A Pin 1 identifier must be located in the index area indicated. The Pin 1 identifier may be either a mold, or an embedded metal or marked feature.

Symbol		A	A1	A2	b	D	D1	E	E1	e	L	L1	L2	$\theta$
Dimension (mm)	MIN	1.40*	0.05	1.35	0.17	8.80	6.80	8.80	6.80	0.50 BSC	0.45	1.00 REF	0.25 BSC	0°
	NOM	-	-	1.40	0.22	9.00	7.00	9.00	7.00		0.60			3.5°
	MAX	1.60	0.15	1.45	0.27	9.20	7.20	9.20	7.20		0.75			7°

JEDEC Registration MS-026, Variation BBC, Issue D, Jan. 2001.

\* This dimension is not specified in the original JEDEC drawing. The value listed is for reference only.

Drawings are not to scale.

(The package drawing (s) in this data sheet may not reflect the most current specifications. For the latest package outline information go to <http://www.supertex.com/packaging.html>.)

Supertex inc. does not recommend the use of its products in life support applications, and will not knowingly sell its products for use in such applications, unless it receives an adequate "product liability indemnification insurance agreement". Supertex does not assume responsibility for use of devices described and limits its liability to the replacement of the devices determined defective due to workmanship. No responsibility is assumed for possible omissions or inaccuracies. Circuitry and specifications are subject to change without notice. For the latest product specifications, refer to the Supertex website: <http://www.supertex.com>.