

# HVM5 THRU HVM16

## HIGH VOLTAGE ASSEMBLED RECTIFIER

VOLTAGE: 5000-16000V

CURRENT: 0.35 to 0.45A

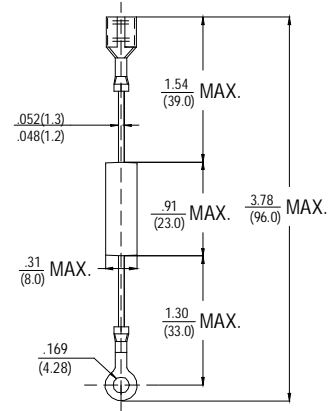
### FEATURES

- Low cost
- Low leakage
- Isolated case
- Surge overload rating – 50 amperes peak
- Low forward voltage drop

### MECHANICAL DATA

- **Case:** Molded plastic
- **Epoxy:** UL 94V-0 rate flame retardant
- **Lead:** MIL-STD- 202E, Method 208 guaranteed
- **Polarity:** Color band denotes cathode end
- **Mounting position:** Any

### HVM



Dimensions in inches and (millimeters)

## MAXIMUM RATINGS AND ELECTRICAL CHARACTERISTICS

Ratings at 25°C ambient temperature unless otherwise specified.  
 Single phase, half wave, 60Hz, resistive or inductive load.  
 For capacitive load, derate current by 20%.

	SYMBOL	HVM5	HVM8	HVM10	HVM12	HVM14	HVM15	HVM16	units
Maximum Recurrent Peak Reverse Voltage	$V_{RRM}$	5000	8000	10000	12000	14000	15000	16000	V
Maximum RMS Voltage	$V_{RMS}$	3500	5600	7000	8400	9800	10500	11200	V
Maximum DC Blocking Voltage	$V_{DC}$	5000	8000	10000	12000	14000	15000	16000	V
Maximum Average Forward Rectified Current at $T_A=50^\circ C$	$I_o$	0.35							A
		0.45							
Peak Forward Surge Current 8.3ms single half sine-wave superimposed on rate load (JEDEC method)	$I_{FSM}$	50							A
Maximum Instantaneous Forward Voltage at 0.35/0.45A DC	$V_F$	8.0	13.5			14.0			V
Maximum DC Reverse Current at Rated DC Blocking Voltage $T_A=25^\circ C$	$I_R$	5.0							$\mu A$

Notes: 1. Enough heat sink must be considered in application.  
 2. Suffix "-Tox" (e.g. -T01, -T02, ..... ) for Terminal type.