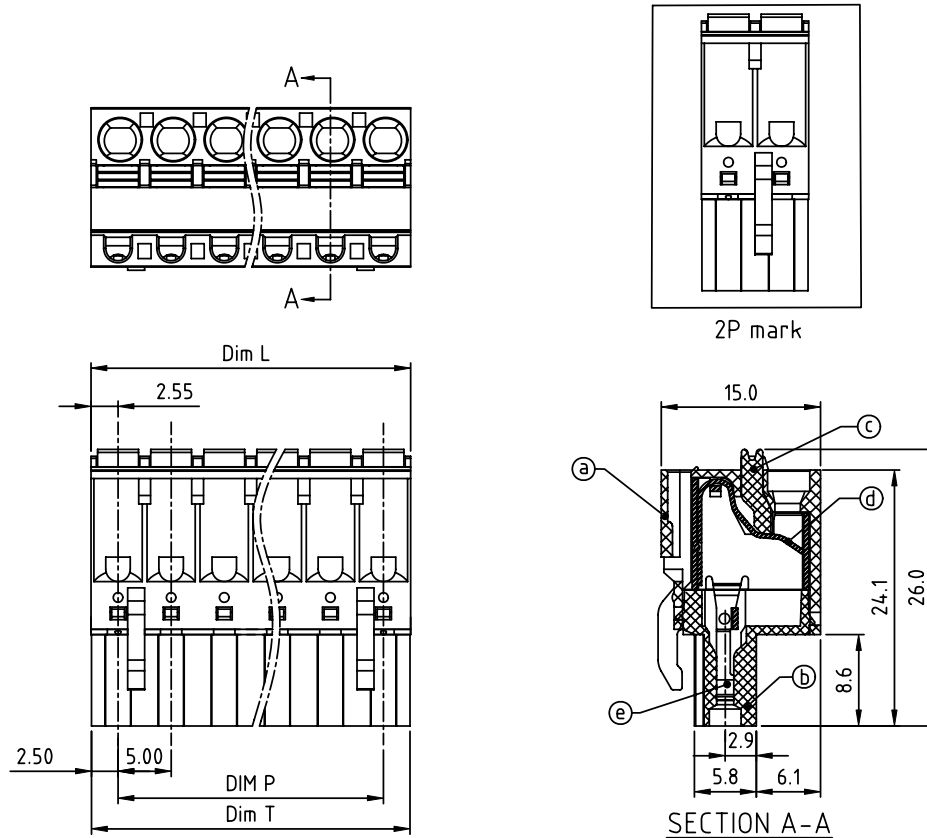


PRODUCT NUMBER	PITCH
HWxx70x100J0G	5.00 mm



- Material:
- Item (a) Top body: Thermoplastic (UL94V-0)
  - Item (b) Bottom body: Thermoplastic (UL94V-0)
  - Item (c) Terminal lever: Thermoplastic (UL94V-0), Orange (RAL2001/P)
  - Item (d) Spring clamp: Stainless Steel
  - Item (e) Female contact: PhBz (CuSn) Tin plated

- Electrical
- Voltage rating: 300V
  - Current rating: 10A
  - Solid wire (AWG): 12-26
  - Stranded wire (AWG): 12-26
  - Wire strip length: 9-10mm
  - Withstanding Voltage: 1.6KV
  - Operating temperature: -40°C to +115°C
  - Safety Approval:

N=Number of poles  
 Dim L=Nx5.0 +0.1  
 Dim P=(N-1)x5.0  
 Dim T=Nx5.0

Poles	Tolerance
2P-6P	±0.15
7P-12P	±0.20
13P-18P	±0.25
19P-24P	±0.30

PART NO.: HW xx 7 0 x 1 00J0 G

Solid block	No. of poles	Color	RoHS compliant (lead<4%) In copper Alloy
0	2	Black (RAL9005)	
2	3	Red (RAL3001/D)	
3	4	Orange (RAL2011/P)	
4	5	Yellow (RAL1018/A)	
5	6	Green (RAL6018/T)	
6	8	Blue (RAL5015/A)	
8	9	Grey (RAL7035/D)	
9	9	White (RAL1102)	
C	24	Green (RAL6018/U)	

mat'l. code	surface ASME Y14.5	tolerance ASME Y14.5	projection 	product family TERMINAL BLOCK
ltr	ecn no	dr	date	title TERMINAL BLOCK
		angles	$X \pm 0.5$	scale MM
		$X \pm 1^*$	$X.X \pm 0.3$	SPRING CLAMP, PLUGGABLE PLUG, CONTACT ON UP SIDE
		dr	EVIN ZHONG 051514	dwg no HWxx70x100J0G
		enr	EVIN ZHONG 051514	sheet 1 of 1 size A4
		chr	HANKE FENG 051514	type CUSTOMER Drawing
		appd	SHI JUN 051514	
sheet index	revision	A		
	sheet	1		