

Advanced Information

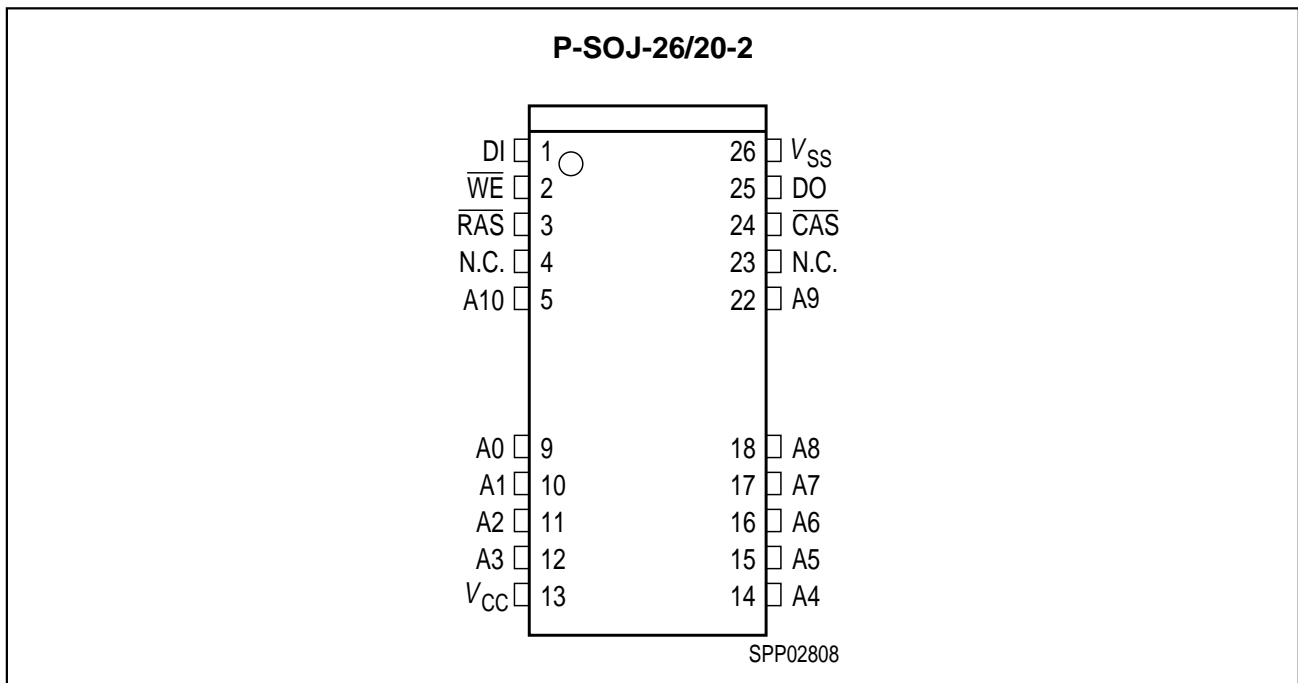
- 4 194 304 words by 1-bit organization
- 0 to 70 °C operating temperature
- Fast Page Mode Operation
- Performance:

		-50	-60	
t_{RAC}	$\overline{\text{RAS}}$ access time	50	60	ns
t_{CAC}	$\overline{\text{CAS}}$ access time	13	15	ns
t_{AA}	Access time from address	25	30	ns
t_{RC}	Read/Write cycle time	95	110	ns
t_{PC}	Fast page mode cycle time	35	40	ns

- Single + 5 V ($\pm 10\%$) supply with a built-in V_{BB} generator
- Low power dissipation
max. 660 mW active (-50 version)
max. 605 mW active (-60 version)
- Standby power dissipation:
11 mW max. standby (TTL)
5.5 mW max. standby (CMOS)
- Output unlatched at cycle end allows two-dimensional chip selection
- Read, write, read-modify write, $\overline{\text{CAS}}$ -before- $\overline{\text{RAS}}$ refresh, $\overline{\text{RAS}}$ -only refresh, hidden refresh and test mode capability
- All inputs and outputs TTL-compatible
- 1024 refresh cycles/16 ms
- Plastic Packages: P-SOJ-26/20-2 with 300 mil width

The HYB 514100BJ is the new generation dynamic RAM organized as 4 194 304 words by 1-bit. The HYB 514100BJ utilizes CMOS silicon gate process as well as advances circuit techniques to provide wide operation margins, both internally and for the system user. Multiplexed address inputs permit the HYB 514100BJ to be packed in a standard plastic P-SOJ-26/20 package. This package size provides high system bit densities and is compatible with commonly used automatic testing and insertion equipment. System oriented features include single + 5 V (± 10 %) power supply, direct interfacing with high performance logic device families such as Schottky TTL.

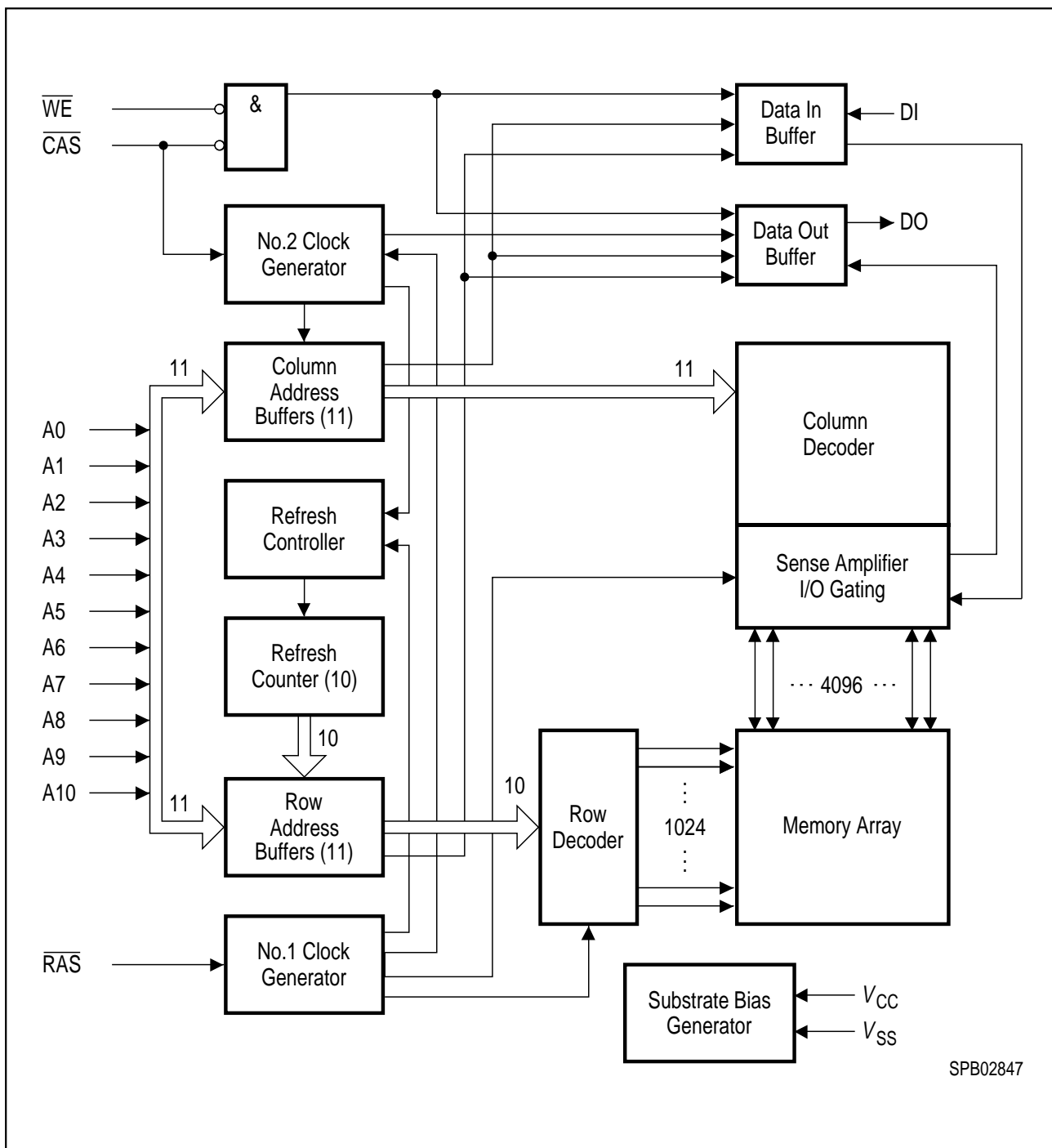
Type	Ordering Code	Package	Descriptions
HYB 514100BJ-50	Q67100-Q971	P-SOJ-26/20-2 300 mil	DRAM (access time 50 ns)
HYB 514100BJ-60	Q67100-Q759	P-SOJ-26/20-2 300 mil	DRAM (access time 60 ns)



Pin Configuration

Pin Names

A0 – A10	Address Input
$\overline{\text{RAS}}$	Row Address Strobe
$\overline{\text{CAS}}$	Column Address Strobe
$\overline{\text{WE}}$	Read/Write Input
DI	Data In
DO	Data Out
V_{CC}	Power Supply (+ 5 V)
V_{SS}	Ground (0 V)
N.C.	No Connection



Block Diagram

Absolute Maximum Ratings

Operating temperature range 0 to 70 °C
 Storage temperature range..... – 55 to + 150 °C
 Input/output voltage – 1 to + 7 V
 Power Supply voltage – 1 to + 7 V
 Data out current (short circuit) 50 mA

Note: Stresses above those listed under “Absolute Maximum Ratings” may cause permanent damage of the device. Exposure to absolute maximum rating conditions for extended periods may affect device reliability.

DC Characteristics

$T_A = 0$ to 70 °C, $V_{SS} = 0$ V, $V_{CC} = 5 \pm 10\%$, $t_T = 5$ ns

Parameter	Symbol	Limit Values		Unit	Test Condition
		min.	max.		
Input high voltage	V_{IH}	2.4	$V_{CC} + 0.5$	V	1
Input low voltage	V_{IL}	– 1.0	0.8	V	1
Output high voltage ($I_{OUT} = -5$ mA)	V_{OH}	2.4	–	V	1
Output low voltage ($I_{OUT} = 4.2$ mA)	V_{OL}	–	0.4	V	1
Input leakage current, any input ($0 < V_{IN} < 7$, all other input = 0 V)	$I_{I(L)}$	– 10	10	µA	1
Output leakage current (DO is disabled, $0 < V_{OUT} < V_{CC}$)	$I_{O(L)}$	– 10	10	µA	1
Average V_{CC} supply current -50 version -60 version	I_{CC1}	– –	120 110	mA mA	2, 3
Standby V_{CC} supply current ($\overline{RAS} = \overline{CAS} = \overline{WE} = V_{IH}$)	I_{CC2}	–	2	mA	
Average V_{CC} supply current during \overline{RAS} -only refresh cycles -50 version -60 version	I_{CC3}	– –	120 110	mA mA	2
Average V_{CC} supply current during fast page mode operation -50 version -60 version	I_{CC4}	– –	80 70	mA mA	2, 3

DC Characteristics (cont'd)

$T_A = 0$ to $70\text{ }^\circ\text{C}$, $V_{SS} = 0\text{ V}$, $V_{CC} = 5 \pm 10\%$, $t_T = 5\text{ ns}$

Parameter	Symbol	Limit Values		Unit	Test Condition
		min.	max.		
Standby V_{CC} supply current	I_{CC5}	–	1	mA	1
Average V_{CC} supply current during CAS-before-RAS refresh mode	I_{CC6}				2
-50 version		–	120	mA	
-60 version		–	110	mA	

Capacitance

$T_A = 0$ to $70\text{ }^\circ\text{C}$, $V_{CC} = 5.0\text{ V} \pm 10\%$, $f = 1\text{ MHz}$

Parameter	Symbol	Limit Values		Unit
		min.	max.	
Input capacitance (A0 to A10, DI)	C_{I1}	–	5	pF
Input capacitance ($\overline{\text{RAS}}$, $\overline{\text{CAS}}$, $\overline{\text{WE}}$)	C_{I2}	–	7	pF
Output capacitance (DO)	C_{I0}	–	7	pF

AC Characteristics ^{5, 6}

$T_A = 0$ to $70\text{ }^\circ\text{C}$, $V_{CC} = 5\text{ V} \pm 10\%$, $t_T = 5\text{ ns}$

Parameter	Symbol	Limit Values				Unit	Note
		-50		-60			
		min.	max.	min.	max.		

Common Parameters

Random read or write cycle time	t_{RC}	95	–	110	–	ns	
$\overline{\text{RAS}}$ precharge time	t_{RP}	35	–	40	–	ns	
$\overline{\text{RAS}}$ pulse width	t_{RAS}	50	10k	60	10k	ns	
$\overline{\text{CAS}}$ pulse width	t_{CAS}	13	10k	15	10k	ns	
Row address setup time	t_{ASR}	0	–	0	–	ns	
Row address hold time	t_{RAH}	8	–	10	–	ns	
Column address setup time	t_{ASC}	0	–	0	–	ns	
Column address hold time	t_{CAH}	10	–	15	–	ns	
$\overline{\text{RAS}}$ to $\overline{\text{CAS}}$ delay time	t_{RCD}	18	37	20	45	ns	
$\overline{\text{RAS}}$ to column address delay time	t_{RAD}	13	25	15	30	ns	
$\overline{\text{RAS}}$ hold time	t_{RSH}	13		15	–	ns	
$\overline{\text{CAS}}$ hold time	t_{CSH}	50		60	–	ns	

AC Characteristics (cont'd) ^{5,6}

$T_A = 0$ to 70 °C, $V_{CC} = 5$ V \pm 10 %, $t_T = 5$ ns

Parameter	Symbol	Limit Values				Unit	Note
		-50		-60			
		min.	max.	min.	max.		
\overline{CAS} to \overline{RAS} precharge time	t_{CRP}	5	–	5	–	ns	
Transition time (rise and fall)	t_T	3	50	3	50	ns	⁷
Refresh period	t_{REF}	–	16	–	16	ms	

Read Cycle

Access time from \overline{RAS}	t_{RAC}	–	50	–	60	ns	^{8,9}
Access time from \overline{CAS}	t_{CAC}	–	13	–	15	ns	^{8,9}
Access time from column address	t_{AA}	–	25	–	30	ns	^{8,10}
Column addr. to \overline{RAS} lead time	t_{RAL}	25	–	30	–	ns	
Read command setup time	t_{RCS}	0	–	0	–	ns	
Read command hold time	t_{RCH}	0	–	0	–	ns	¹¹
Read command hold time referenced to \overline{RAS}	t_{RRH}	0	–	0	–	ns	¹¹
\overline{CAS} to output in low-Z	t_{CLZ}	0	–	0	–	ns	⁸
Output buffer turn-off delay	t_{OFF}	0	13	0	15	ns	¹²

Write Cycle

Write command hold time	t_{WCH}	8	–	10	–	ns	
Write command pulse width	t_{WP}	8	–	10	–	ns	
Write command setup time	t_{WCS}	0	–	0	–	ns	¹³
Write command to \overline{RAS} lead time	t_{RWL}	13	–	15	–	ns	
Write command to \overline{CAS} lead time	t_{CWL}	13	–	15	–	ns	
Data setup time	t_{DS}	0	–	0	–	ns	¹⁴
Data hold time	t_{DH}	10	–	10	–	ns	¹⁴

Read-Modify-Write Cycle

Read-write cycle time	t_{RWC}	115	–	130	–	ns	
\overline{RAS} to \overline{WE} delay time	t_{RWD}	50	–	60	–	ns	¹³
\overline{CAS} to \overline{WE} delay time	t_{CWD}	13	–	15	–	ns	¹³
Column address to \overline{WE} delay time	t_{AWD}	25	–	30	–	ns	¹³

AC Characteristics (cont'd) ^{5, 6}

$T_A = 0$ to 70 °C, $V_{CC} = 5$ V \pm 10 %, $t_T = 5$ ns

Parameter	Symbol	Limit Values				Unit	Note
		-50		-60			
		min.	max.	min.	max.		

Fast Page Mode Cycle

Fast page mode cycle time	t_{PC}	35	–	40	–	ns	
\overline{CAS} precharge time	t_{CP}	10	–	10	–	ns	
Access time from \overline{CAS} precharge	t_{CPA}	–	30	–	35	ns	⁷
\overline{RAS} pulse width	t_{RAS}	50	200k	60	200k	ns	
\overline{CAS} precharge to \overline{RAS} Delay	t_{RHCP}	30	–	35	–	ns	

Fast Page Mode Read-Modify-Write Cycle

Fast page mode read-write cycle time	t_{PRWC}	55	–	60	–	ns	
\overline{CAS} precharge to \overline{WE}	t_{CPWD}	30	–	35	–	ns	

\overline{CAS} -before- \overline{RAS} Refresh Cycle

\overline{CAS} setup time	t_{CSR}	10	–	10	–	ns	
\overline{CAS} hold time	t_{CHR}	10	–	10	–	ns	
\overline{RAS} to \overline{CAS} precharge time	t_{RPC}	5	–	5	–	ns	
Write to \overline{RAS} precharge time	t_{WRP}	10	–	10	–	ns	
Write hold time referenced to \overline{RAS}	t_{WRH}	10	–	10	–	ns	

\overline{CAS} -before- \overline{RAS} Counter Test Cycle

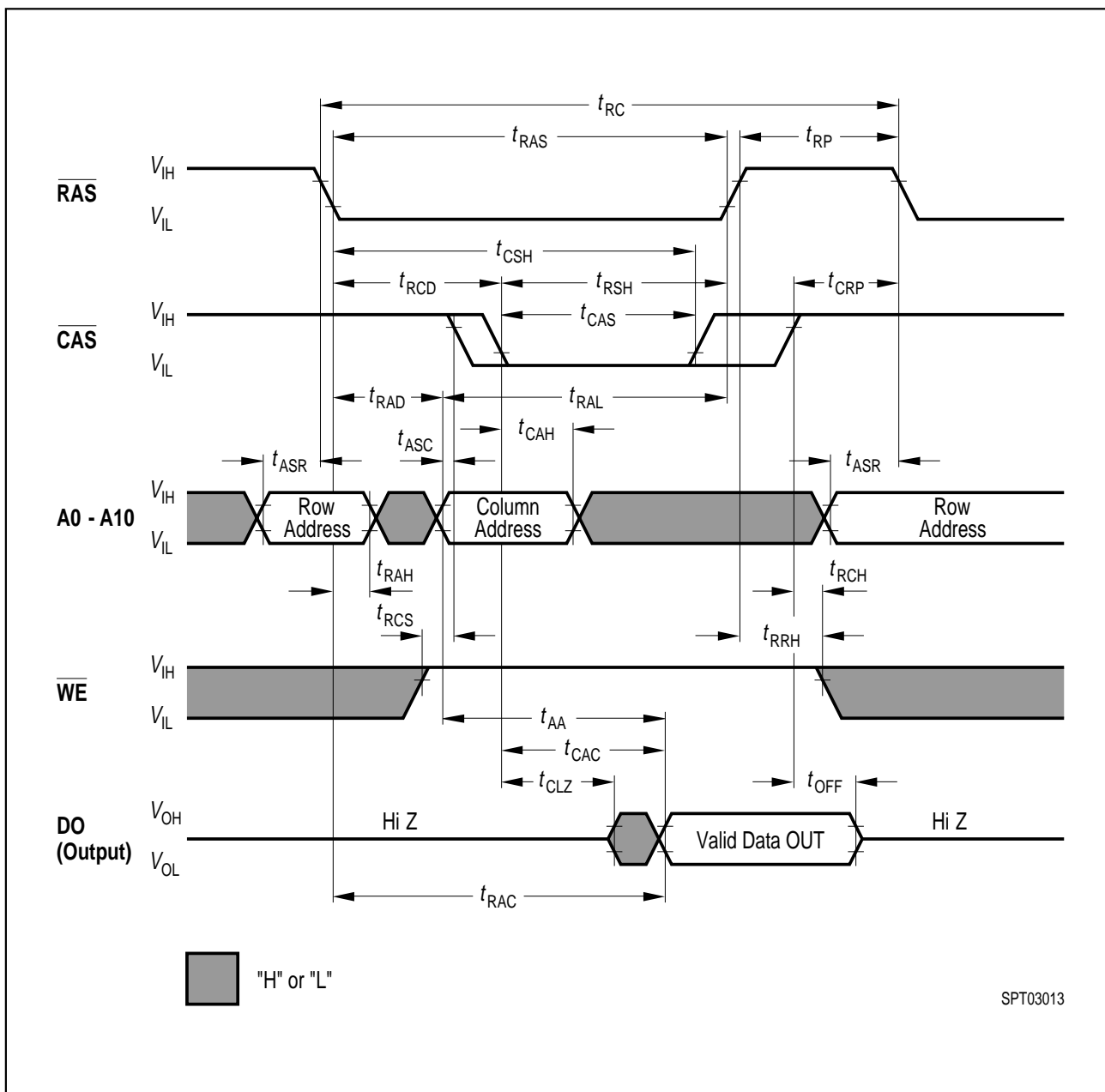
\overline{CAS} precharge time	t_{CPT}	35	–	40	–	ns	
---------------------------------	-----------	----	---	----	---	----	--

Test Mode

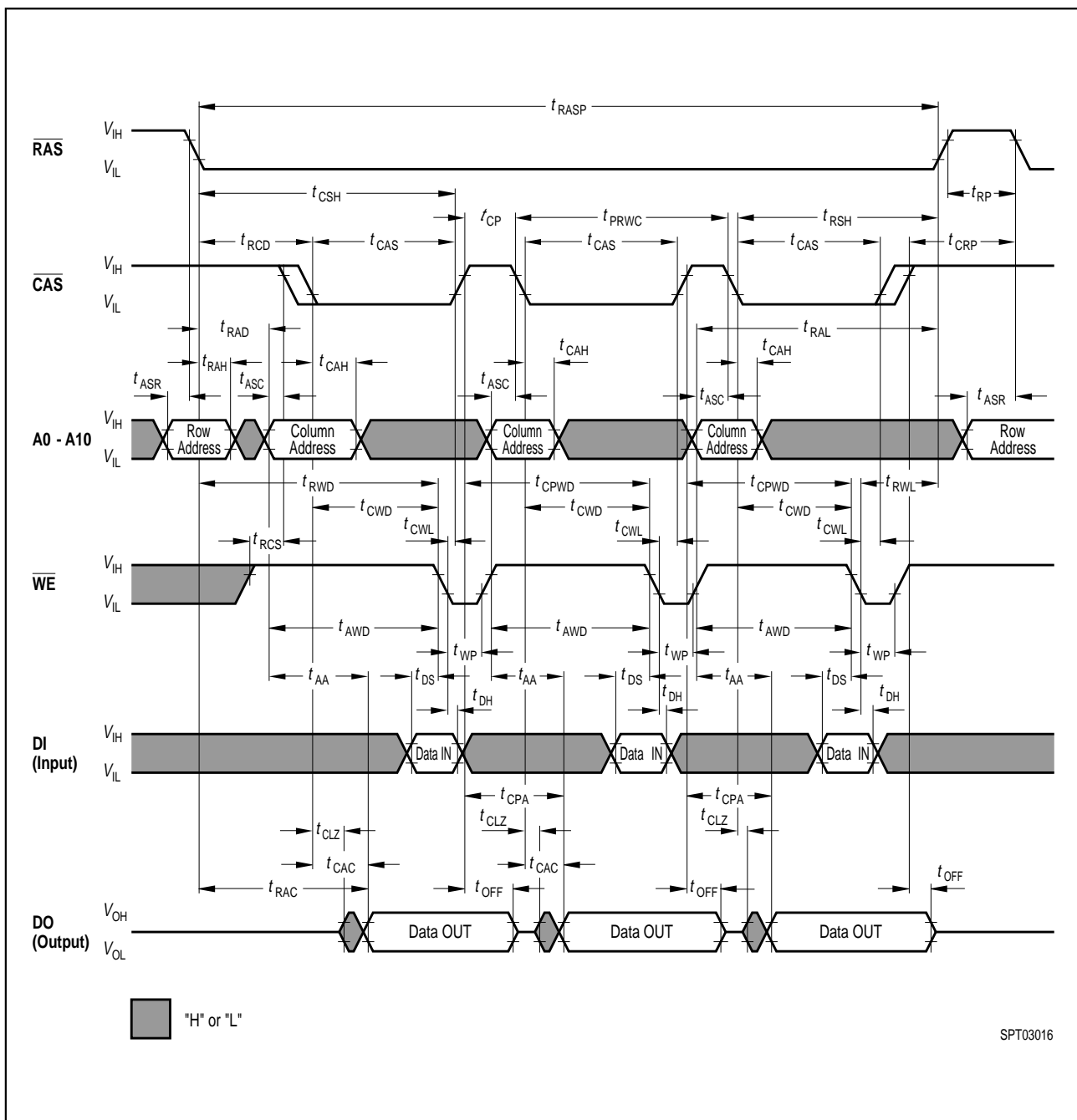
Write command setup time	t_{WTS}	10	–	10	–	ns	
Write command hold time	t_{WTH}	10	–	10	–	ns	

Notes

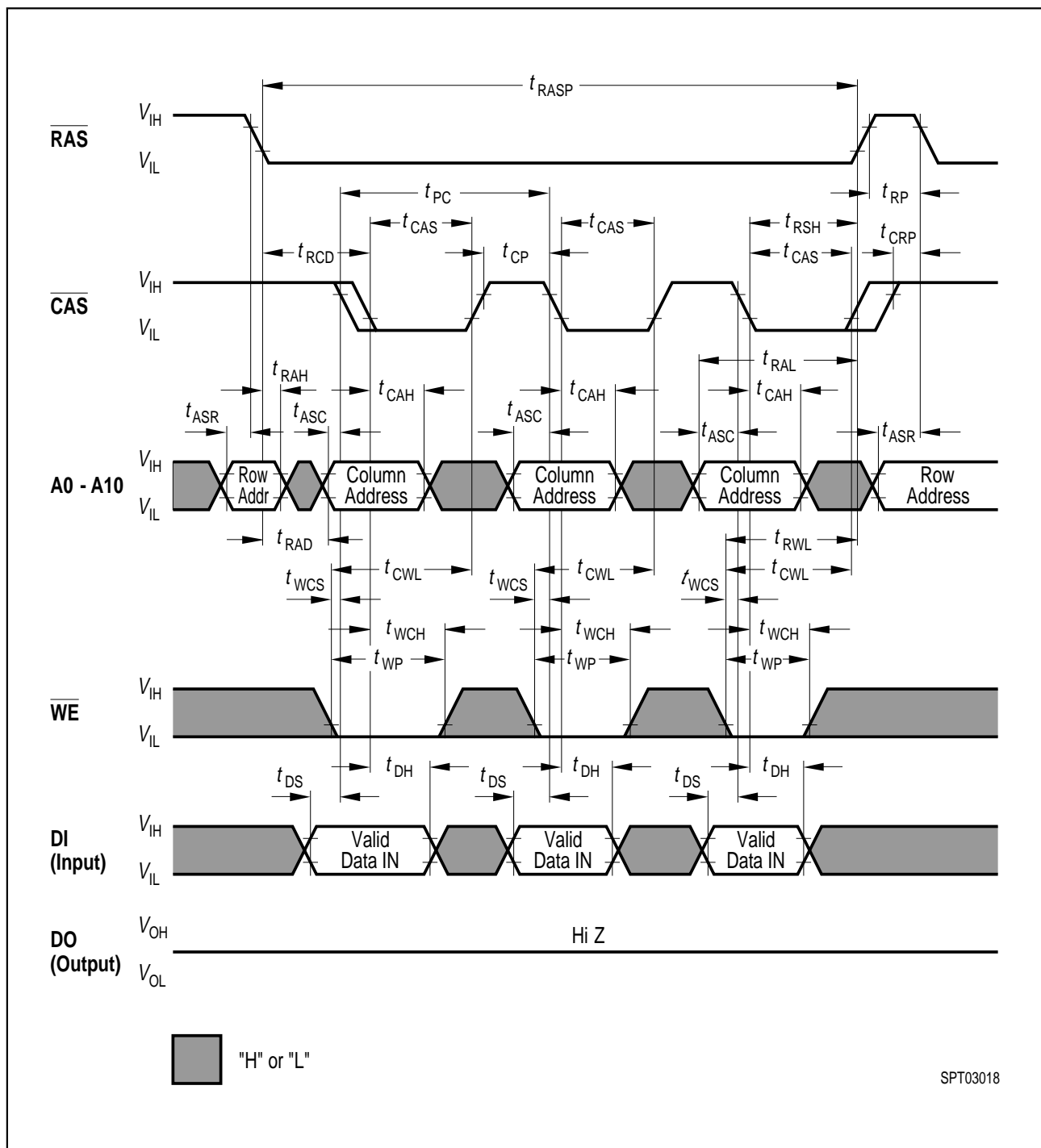
1. All voltages are referenced to V_{SS} .
2. I_{CC1} , I_{CC3} , I_{CC4} and I_{CC6} depend on cycle rate.
3. I_{CC1} and I_{CC4} depend on output loading. Specified values are measured with the output open.
4. Address can be changed once or less while $\overline{RAS} = V_{IL}$. In the case of I_{CC4} it can be changed once or less during a fast page mode cycle (t_{PC}).
5. An initial pause of 200 μs is required after power-up followed by 8 \overline{RAS} cycles of which at least one cycle has to be a refresh cycle, before proper device operation is achieved. In case of using internal refresh counter, a minimum of 8 \overline{CAS} -before- \overline{RAS} initialization cycles instead of 8 \overline{RAS} cycles are required.
6. AC measurements assume $t_T = 5$ ns.
7. $V_{IH(MIN.)}$ and $V_{IL(MAX.)}$ are reference levels for measuring timing of input signals. Transition times are also measured between V_{IH} and V_{IL} .
8. Measured with a load equivalent to 2 TTL loads and 100 pF.
9. Operation within the $t_{RCD(MAX.)}$ limit ensures that $t_{RAC(MAX.)}$ can be met. $t_{RCD(MAX.)}$ is specified as a reference point only: If t_{RCD} is greater than the specified $t_{RCD(MAX.)}$ limit, then access time is controlled by t_{CAC} .
10. Operation within the $t_{RAD(MAX.)}$ limit ensures that $t_{RAC(MAX.)}$ can be met. $t_{RAD(MAX.)}$ is specified as a reference point only: If t_{RAD} is greater than the specified $t_{RAD(MAX.)}$ limit, then access time is controlled by t_{AA} .
11. Either t_{RCH} or t_{RRH} must be satisfied for a read cycle.
12. $t_{OFF(MAX.)}$ defines the time at which the outputs achieve the open-circuit condition and are not referenced to output voltage levels.
13. t_{WCS} , t_{RWD} , t_{CWD} , t_{AWD} and t_{CPWD} are not restrictive operating parameters. They are included in the data sheet as electrical characteristics only. If $t_{WCS} > t_{WCS(MIN.)}$, the cycle is an early write cycle and the data out pin will remain open-circuit (high impedance) through the entire cycle; if $t_{RWD} > t_{RWD(MIN.)}$, $t_{CWD} > t_{CWD(MIN.)}$, $t_{AWD} > t_{AWD(MIN.)}$ and $t_{CPWD} > t_{CPWD(MIN.)}$, the cycle is a read-write cycle and DO will contain data read from the selected cells. If neither of the above sets of conditions is satisfied, the condition of the DO pin (at access time) is indeterminate.
14. These parameters are referenced to the \overline{CAS} leading edge in early write cycles and to the \overline{WE} leading edge in read-write cycles.



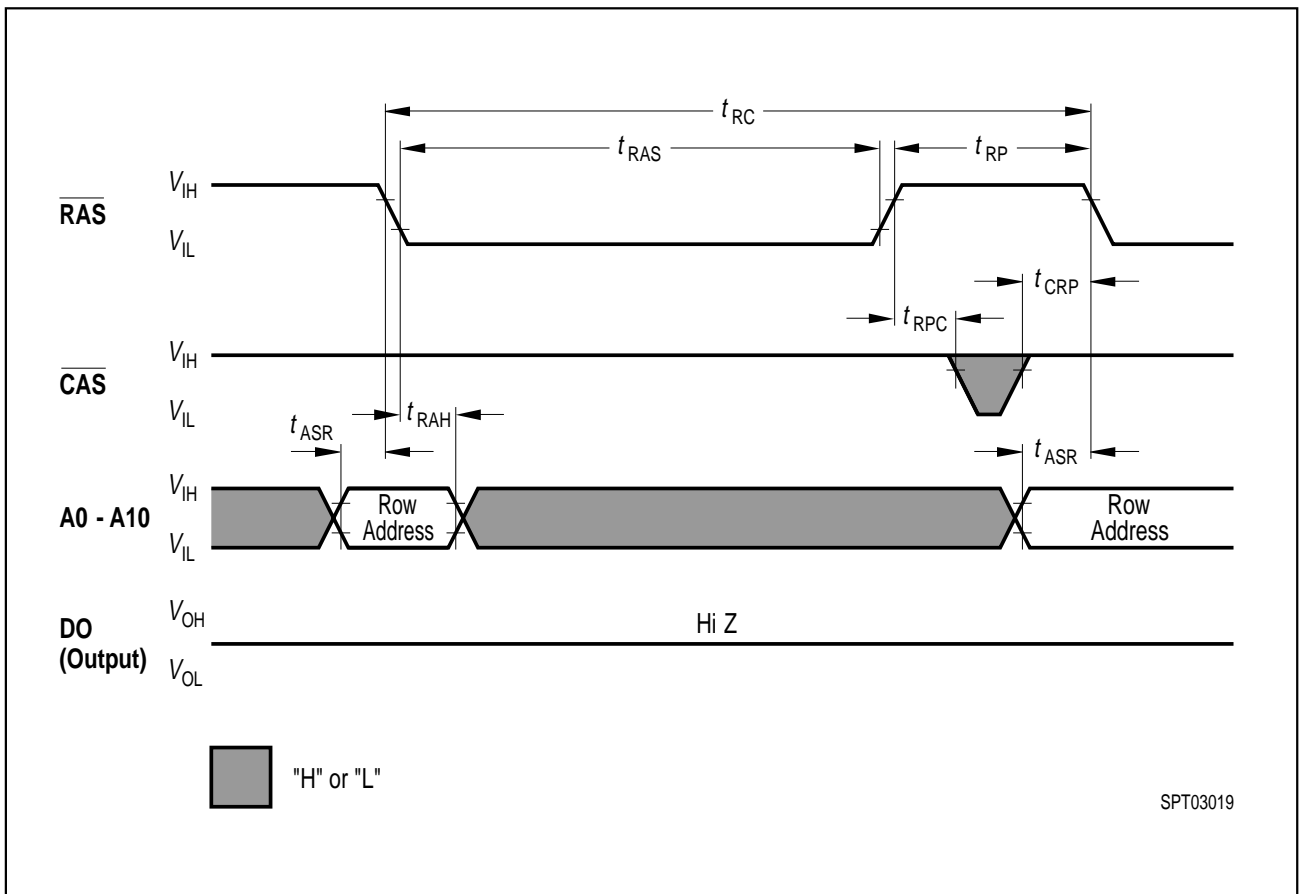
Read Cycle



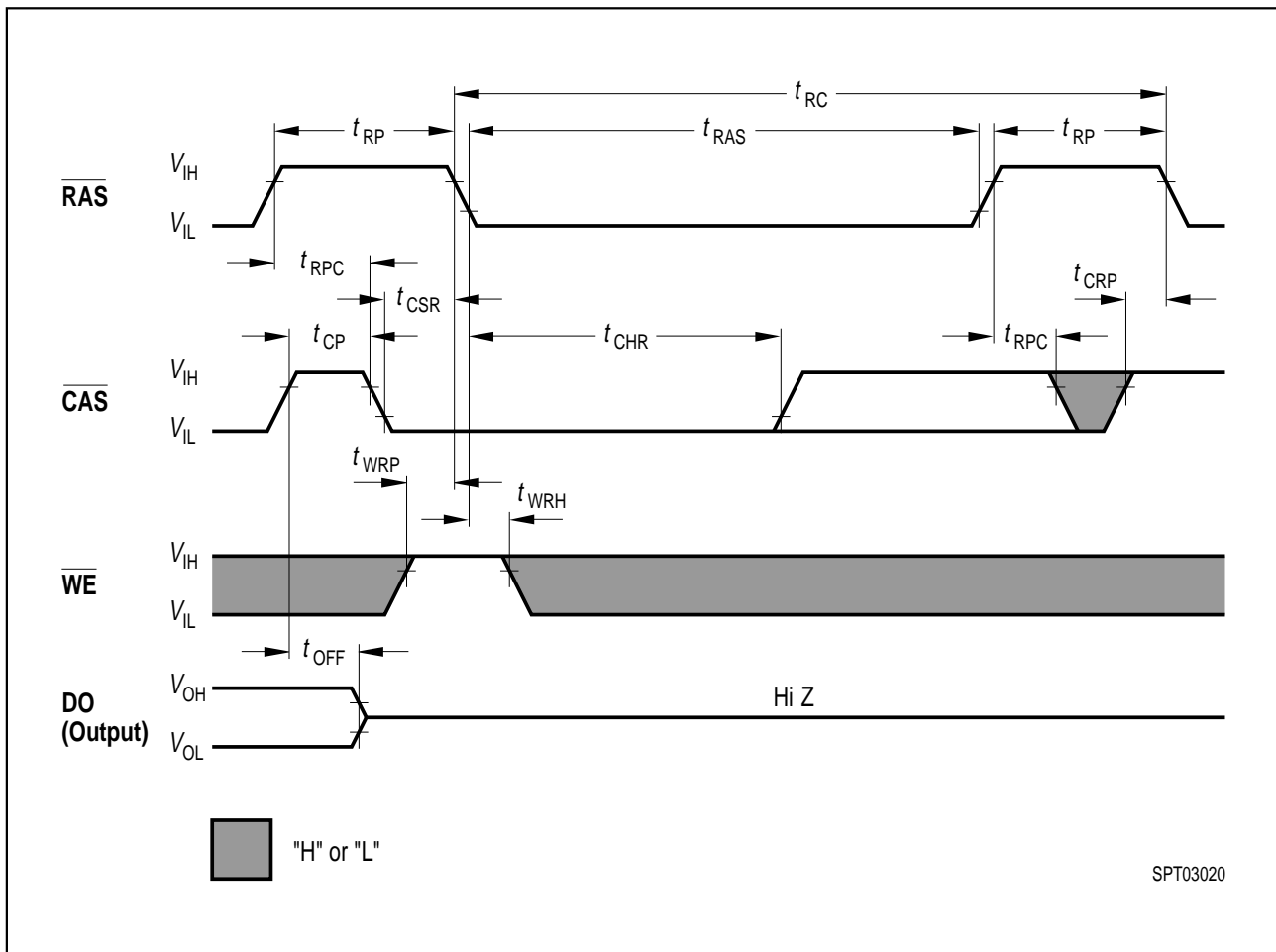
Fast Page Mode Read-Modify-Write Cycle



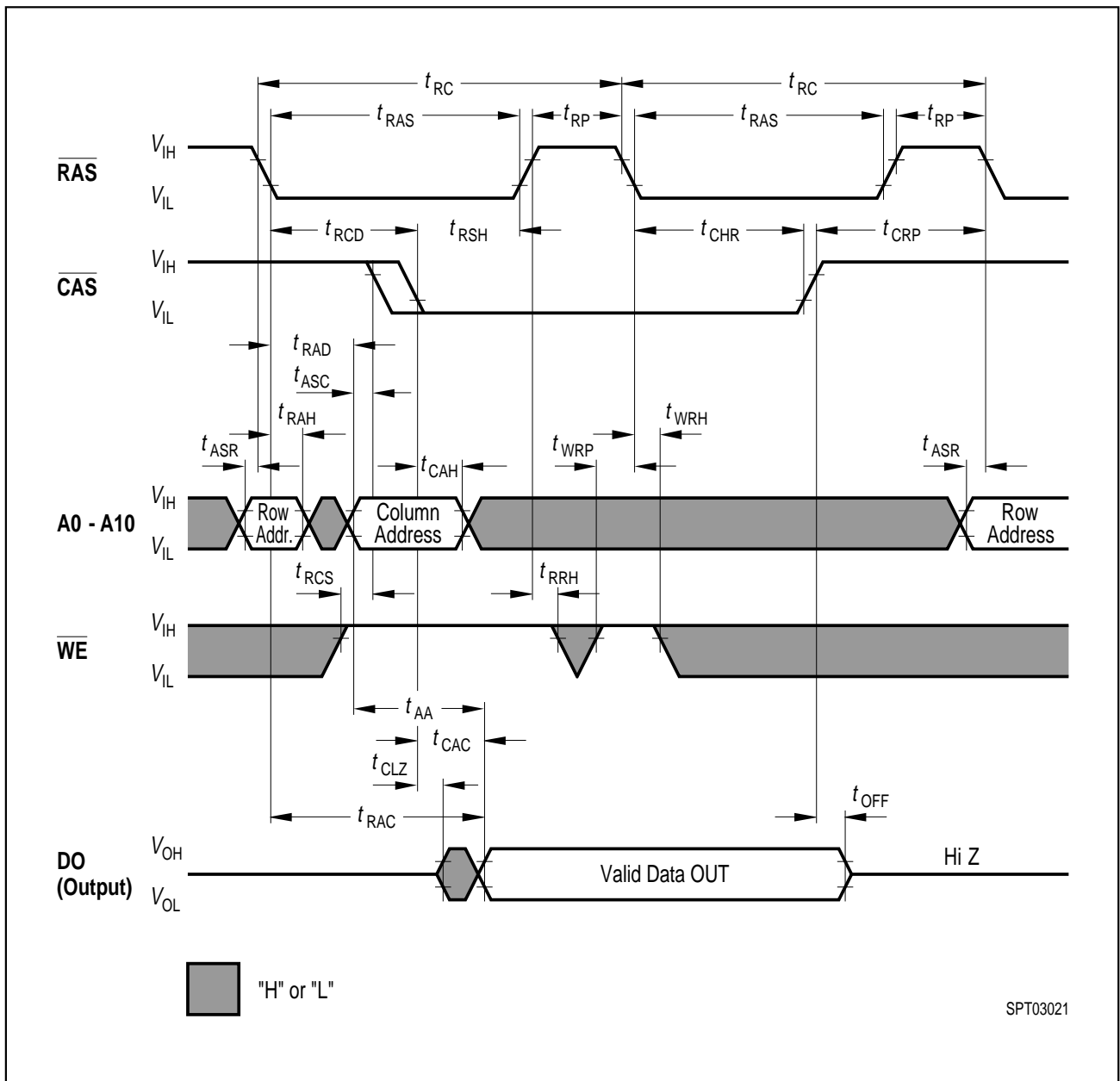
Fast Page Mode Early Write Cycle



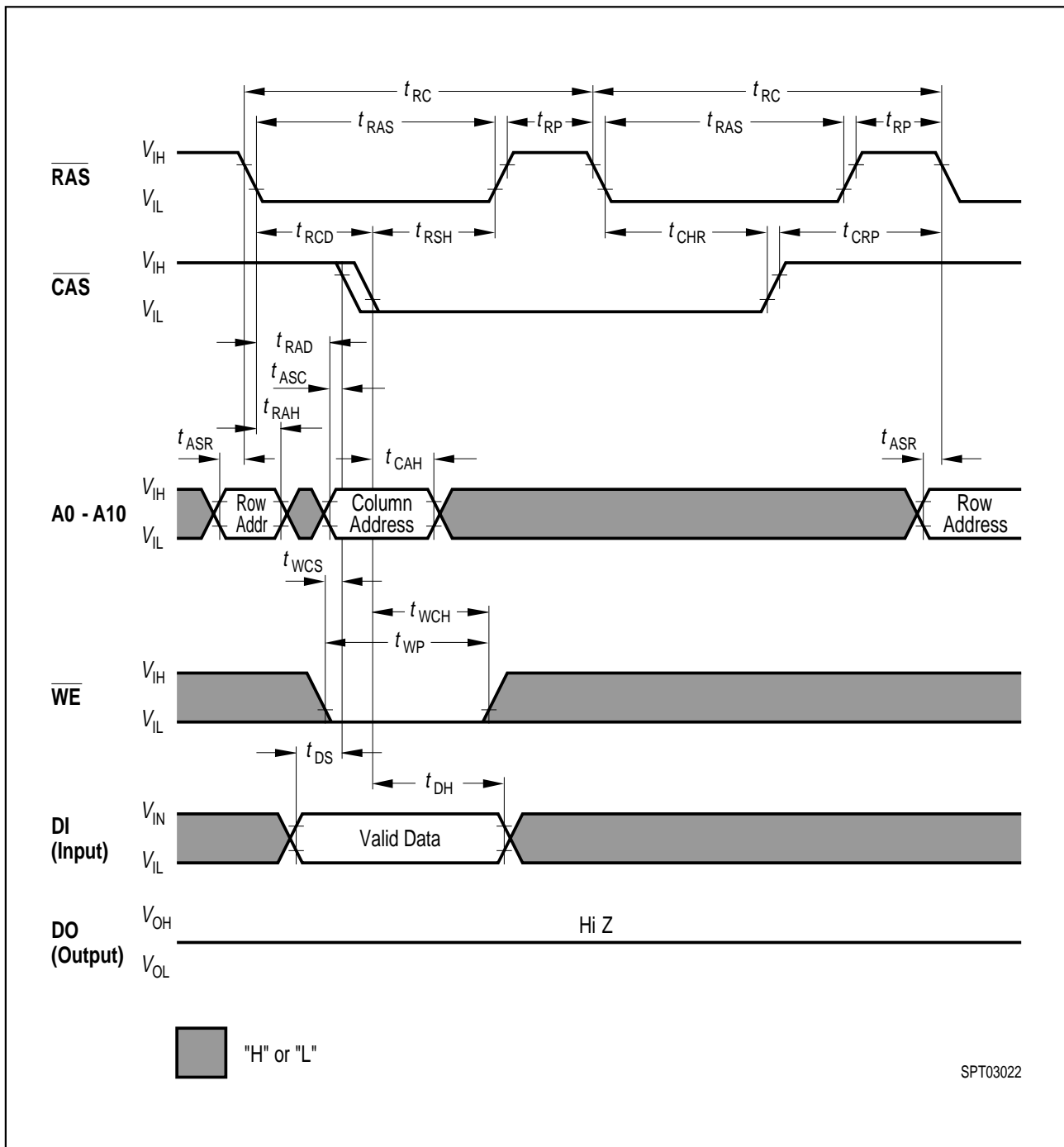
RAS-Only Refresh Cycle



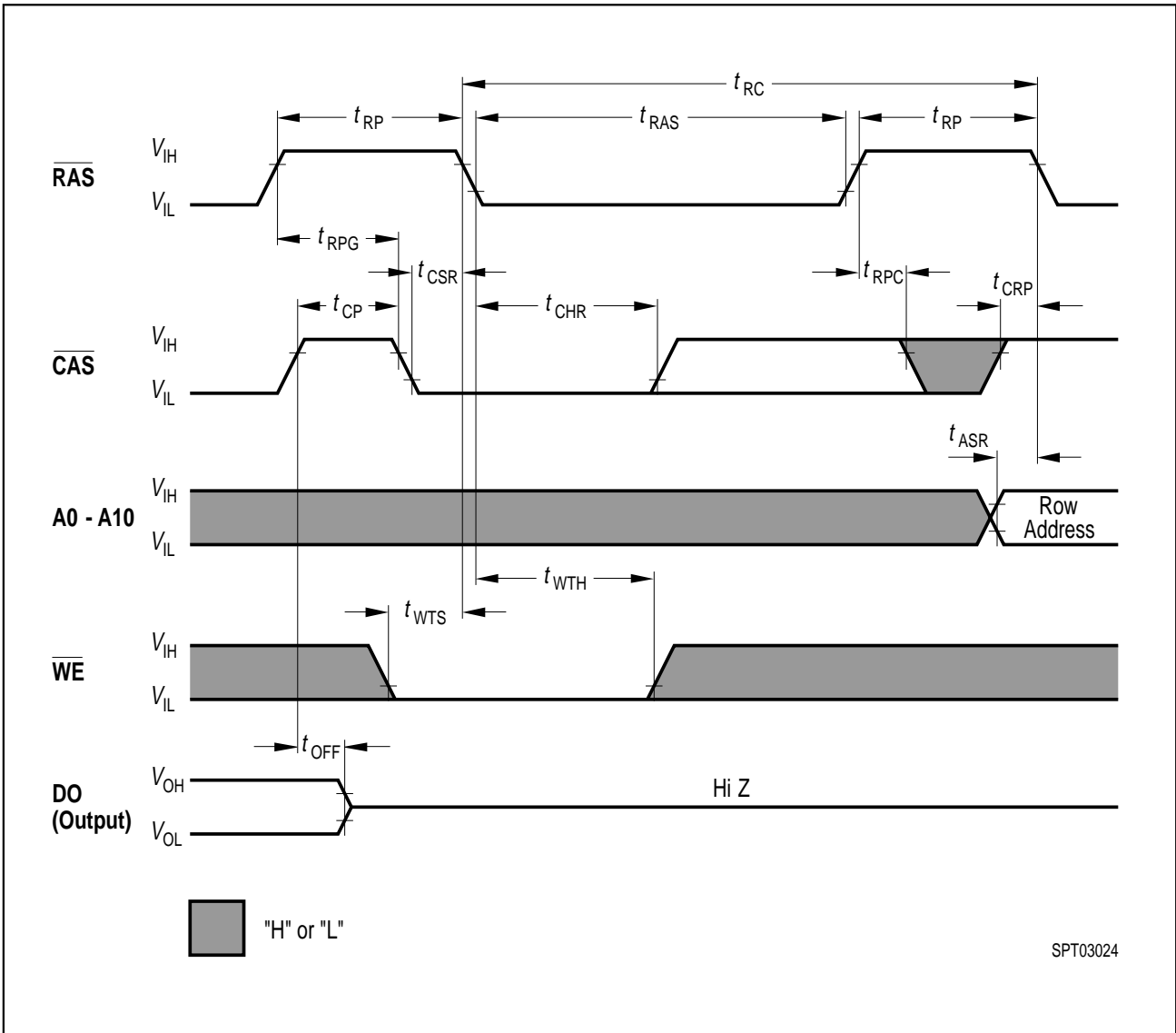
CAS-Before-RAS Refresh Cycle



Hidden Refresh Cycle (Read)



Hidden Refresh Cycle (Early Write)



Test Mode Entry

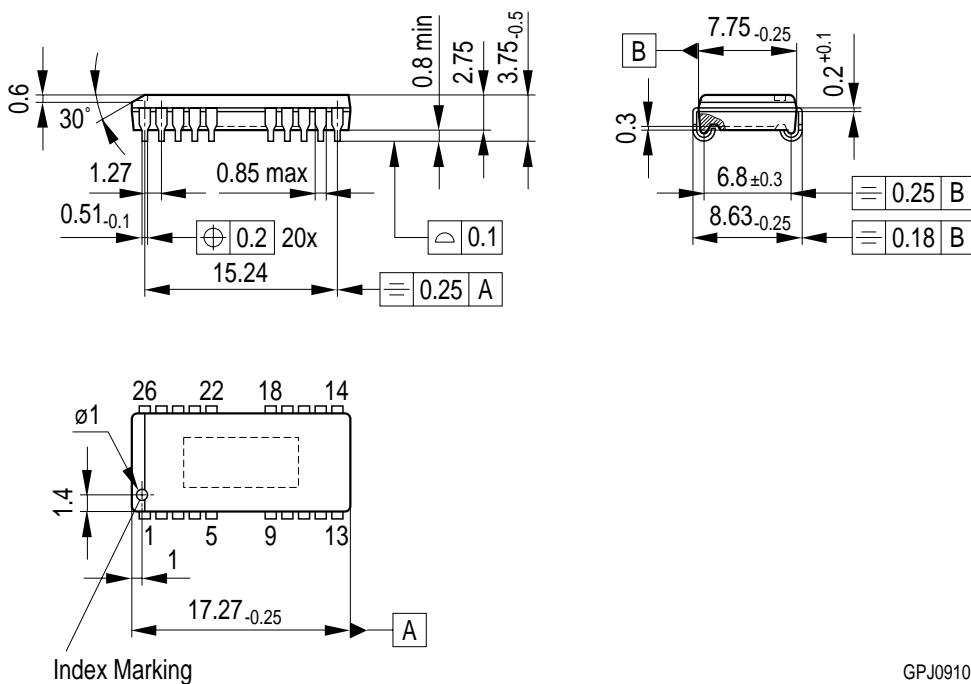
Test Mode

The HYB 514100BJ is organized 4 194 304 words by 1-bit but can internally be configured as 524 288 words by 8-bits. A $\overline{\text{WE}}$, $\overline{\text{CAS}}$ -before- $\overline{\text{RAS}}$ cycle puts the device into Test Mode.

In Test Mode, data is written into 8 sectors in parallel and retrieved the same way. If, upon reading, all bits are equal, the data output pin indicates a "1". If any of the bits differ, the data output pin indicates a "0". In Test Mode the 4M DRAM can be tested as if it were a 512K DRAM. Test Mode is exited by any refresh operation which is not a $\overline{\text{WE}}$, $\overline{\text{CAS}}$ -before- $\overline{\text{RAS}}$ cycle. Addresses A10R, A10C and A0C do not care during Test Mode.

Package Outlines

Plastic Package, P-SOJ-26/20-2 (SMD) (Plastic small outline J-leded)



GPJ09100

Sorts of Packing

Package outlines for tubes, trays etc. are contained in our Data Book "Package Information".

SMD = Surface Mounted Device

Dimensions in mm