

512kx8-Bit Dynamic RAM

HYB 514800BJ -60/-70/-80

Advanced Information

- 512 288 words by 8-bit organization
- 0 to 70 °C operating temperature
- Fast access and cycle time
 RAS access time:
 60 ns (-60 version)
 70 ns (-70 version)
 80 ns (-80 version)
 CAS access time:
 20 ns
 Cycle time:
 110 ns (-60 version)
 130 ns (-70 version)
 150 ns (-80 version)
- Fast page mode cycle time
 45 ns (-60 version)
 45 ns (-70 version)
 50 ns (-80 version)
- Single + 5 V ($\pm 10\%$) supply with a built-in V_{bb} generator
- Low power dissipation
 max. 605 mW active (-60 version)
 max. 550 mW active (-70 version)
 max. 468 mW active (-80 version)
- Standby power dissipation:
 11 mW standby standby (TTL)
 5.5 mW max.standby (CMOS)
- Output unlatched at cycle end allows two-dimensional chip selection
- Read, write, read-modify write, CAS-before-RAS refresh, RAS-only refresh, hidden refresh, fast page mode capability
- All inputs and outputs TTL-compatible
- 1024 refresh cycles / 16 ms
- Plastic Packages: P-SOJ-28-2 400 mil width

Ordering Information

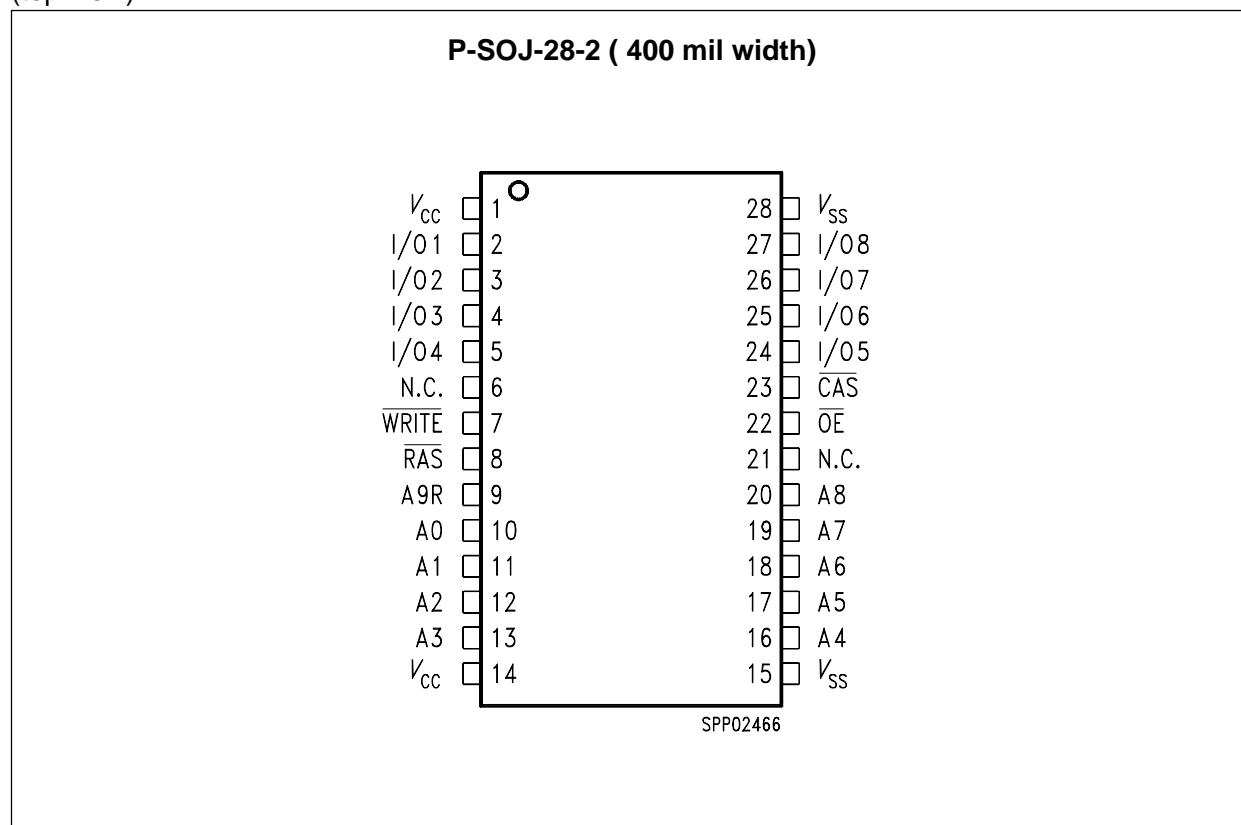
Type	Ordering Code	Package	Descriptions
HYB 514800BJ-60	Q67100-Q849	P-SOJ-28-2	DRAM (access time 60 ns)
HYB 514800BJ-70	Q67100-Q850	P-SOJ-28-2	DRAM (access time 70 ns)
HYB 514800BJ-80	Q67100-Q851	P-SOJ-28-2	DRAM (access time 80 ns)

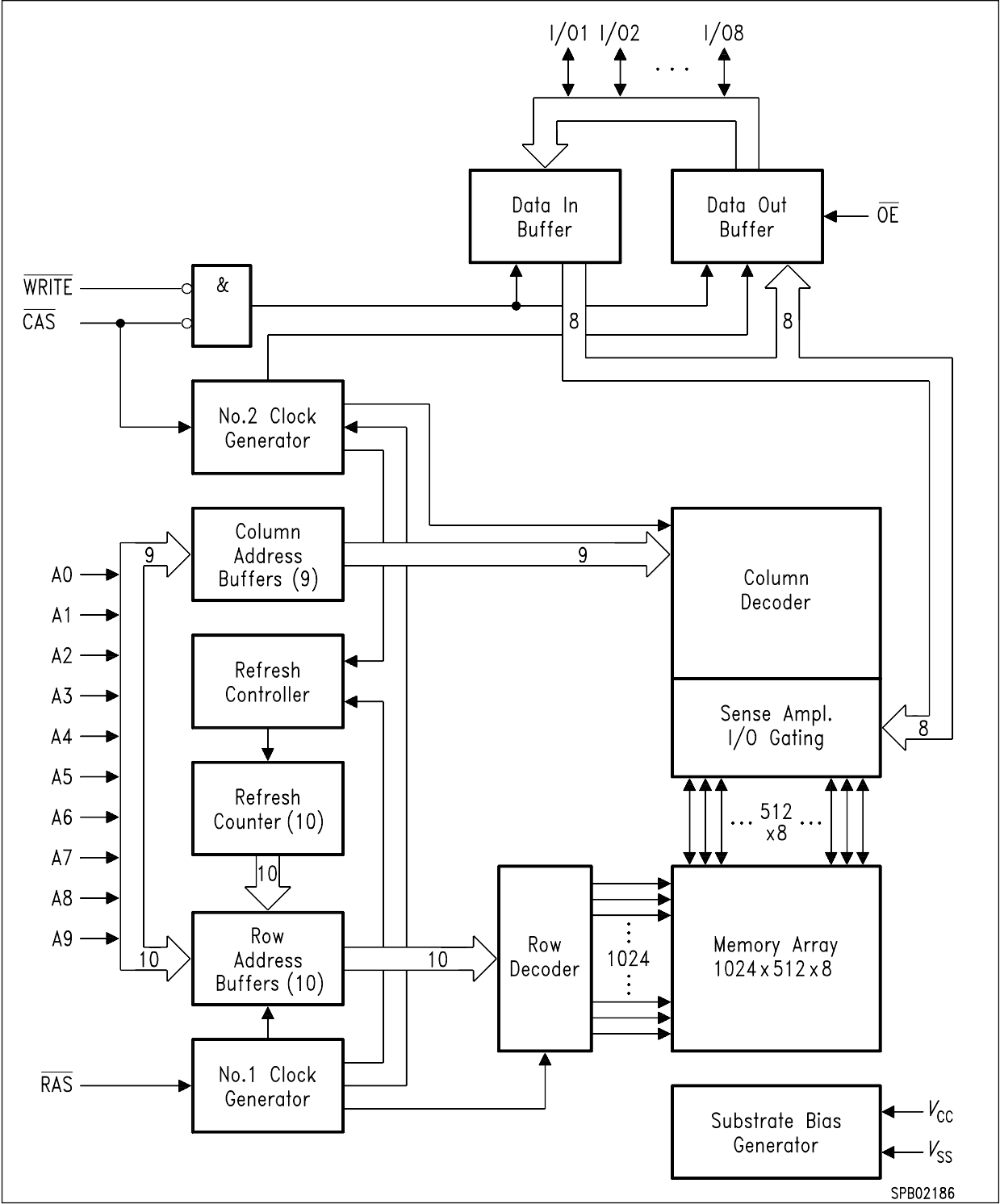
The HYB 514800BJ is the new generation dynamic RAM organized as 512 288 words by 8-bit. The HYB 514800BJ utilizes CMOS silicon gate process as well as advances circuit techniques to provide wide operation margins, both internally and for the system user. Multiplexed address inputs permit the HYB 514800BJ to be packed in a standard plastic 400mil wide P-SOPJ-28 package. This package size provides high system bit densities and is compatible with commonly used automatic testing and insertion equipment. System oriented feature include single + 5 V ($\pm 10\%$) power supply, direct interfacing with high performance logic device families such as Schottky TTL.

Pin Definitions and Functions

A0-A8,A9R	Address Input
$\overline{\text{RAS}}$	Row Address Strobe
$\overline{\text{CAS}}$	Column Address Strobe
$\overline{\text{WRITE}}$	Read/Write Input
$\overline{\text{OE}}$	Output Enable
IO1 - IO8	Data Input/Output
N.C.	No Connection
V_{CC}	Power Supply (+ 5 V)
V_{SS}	Ground (0 V)

Pin Configuration (top view)





Block Diagram

Absolute Maximum Ratings

Operating temperature range	0 to 70 °C
Storage temperature range.....	- 55 to + 150 °C
Soldering temperature	260 °C
Soldering time	10 s
Input/output voltage	- 1 to + 7 V
Power Supply voltage	- 1 to + 7 V
Data out current (short circuit)	50 mA

Note: Stresses above those listed under "Absolute Maximum Ratings" may cause permanent damage of the device. Exposure to absolute maximum rating conditions for extended periods may affect device reliability.

DC Characteristics

$T_A = 0$ to 70 °C, $V_{SS} = 0$ V, $V_{CC} = 5$ V \pm 10 %, $t_T = 5$ ns

Parameter	Symbol	Limit Values		Unit	Test Condition
		min.	max.		
Input high voltage	V_{ih}	2.4	6.5	V	1)
Input low voltage	V_{il}	- 1.0	0.8	V	1)
Output high voltage ($I_{OUT} = - 5$ mA)	V_{oh}	2.4	-	V	1)
Output low voltage ($I_{OUT} = 4.2$ mA)	V_{ol}	-	0.4	V	1)
Input leakage current, any input (0 V < V_{in} < 7, all other input = 0 V)	$I_{I(L)}$	- 10	10	μ A	1)
Output leakage current (DO is disabled, $0 < V_{OUT} < V_{CC}$)	$I_{O(L)}$	- 10	10	μ A	1)
Average V_{CC} supply current -60 version -70 version -80 version	I_{CC1}	-	110 100 90	mA	2) 3)
Standby V_{CC} supply current (RAS = CAS = V_{ih})	I_{CC2}	-	2	mA	-
Average V_{CC} supply current during RAS-only refresh cycles -60 version -70 version -80 version	I_{CC3}	-	110 100 90	mA	2)
Average V_{CC} supply current during fast page mode operation -60 version -70 version -80 version	I_{CC4}	-	70 60 50	mA	2) 3)

DC Characteristics (cont'd)

$T_A = 0$ to $70\text{ }^\circ\text{C}$, $V_{SS} = 0\text{ V}$, $V_{CC} = 5\text{ V} \pm 10\%$, $t_T = 5\text{ ns}$

Parameter	Symbol	Limit Values		Unit	Test Condition
		min.	max.		
Standby V_{CC} supply current (RAS = CAS = $V_{CC} - 0.2\text{ V}$)	I_{CC5}	–	1	mA	1)
Average V_{CC} supply current during CAS before RAS refresh mode	I_{CC6}			mA	2)
-60 version		–	110		
-70 version		–	100		
-80 version		–	90		

AC Characteristics ⁴⁾

$T_A = 0$ to 70 °C; $V_{CC} = 5$ V \pm 10 %; $t_T = 5$ ns

Parameter	Symbol	Limit Values						Unit
		-60		-70		-80		
		min.	max.	min.	max.	min.	max.	
Random read or write time	t_{RC}	110	–	130	–	150	–	ns
Read-write cycle time	t_{RWC}	165	–	185	–	205	–	ns
Fast page mode cycle time	t_{PC}	45	–	45	–	50	–	ns
Fast page mode read/write cycle time	t_{PRWC}	100	–	100	–	105	–	ns
Access time from RAS ^{6) 11)}	t_{RAC}	–	60	–	70	–	80	ns
Access time from CAS ^{6) 11)}	t_{CAC}	–	20	–	20	–	20	ns
Access time from column address ^{6) 12)}	t_{AA}	–	30	–	35	–	40	ns
Access time from CAS precharge ⁶⁾	t_{CPA}	–	40	–	40	–	45	ns
CAS to output in low-Z ⁶⁾	t_{CLZ}	0	–	0	–	0	–	ns
Output buffer turn-off delay from CAS ⁷⁾	t_{OFF}	0	20	0	20	0	20	ns
Transition time (rise and fall) ⁵⁾	t_T	3	50	3	50	3	50	ns
RAS precharge time	t_{RP}	40	–	50	–	60	–	ns
RAS pulse width	t_{RAS}	60	10000	70	10000	80	10000	ns
RAS pulse width in fast page mode	t_{RASP}	60	200000	70	200000	80	200000	ns
CAS pulse width	t_{CAS}	20	10000	20	10000	20	10000	ns
RAS hold time	t_{RSH}	20	–	20	–	20	–	ns
CAS hold time	t_{CSH}	60	–	70	–	80	–	ns
RAS hold time from CAS precharge (Fast page mode)	t_{RHCP}	40	–	45	–	50	–	ns
CAS precharge to WRITE delay time (FPM read-modify-write)	t_{CPWD}	60	–	65	–	70	–	ns

AC Characteristics (cont'd)⁴⁾

$T_A = 0$ to 70 °C; $V_{CC} = 5$ V \pm 10 %; $t_T = 5$ ns

Parameter	Symbol	Limit Values						Unit
		-60		-70		-80		
		min.	max.	min.	max.	min.	max.	
RAS to CAS delay time ¹¹⁾	t_{RCD}	20	40	20	50	20	60	ns
RAS to column address delay time ¹²⁾	t_{RAD}	15	30	15	35	15	40	ns
CAS to RAS precharge time	t_{CRP}	5	–	5	–	10	–	ns
CAS precharge time	t_{CP}	10	–	10	–	10	–	ns
Row address setup time	t_{ASR}	0	–	0	–	0	–	ns
Row address hold time	t_{RAH}	10	–	10	–	10	–	ns
Column address setup time	t_{ASC}	0	–	0	–	0	–	ns
Column address hold time	t_{CAH}	15	–	15	–	15	–	ns
Column address to RAS lead time	t_{RAL}	30	–	35	–	40	–	ns
Read command setup time	t_{RCS}	0	–	0	–	0	–	ns
Read command hold time ⁸⁾	t_{RCH}	0	–	0	–	0	–	ns
Read command hold time ref. to RAS ⁸⁾	t_{RRH}	0	–	0	–	0	–	ns
Write command hold time	t_{WCH}	10	–	15	–	15	–	ns
Write command hold time ref. to RAS	t_{WCR}	50	–	55	–	60	–	ns
Write command pulse width	t_{WP}	10	–	15	–	15	–	ns
Write command to RAS lead time	t_{RWL}	20	–	20	–	20	–	ns
Write command to CAS lead time	t_{CWL}	20	–	20	–	20	–	ns
Data setup time ⁹⁾	t_{DS}	0	–	0	–	0	–	ns

AC Characteristics (cont'd)⁴⁾

$T_A = 0$ to 70 °C; $V_{CC} = 5$ V \pm 10 %; $t_T = 5$ ns

Parameter	Symbol	Limit Values						Unit
		-60		-70		-80		
		min.	max.	min.	max.	min.	max.	
Data hold time ⁹⁾	t_{DH}	15	–	15	–	15	–	ns
Refresh period	t_{REF}	–	16	–	16	–	16	ms
Write command setup time ¹⁰⁾	t_{WCS}	0	–	0	–	0	–	ns
CAS to WRITE delay time ¹⁰⁾	t_{CWD}	50	–	50	–	50	–	ns
RAS to WRITE delay time ¹⁰⁾	t_{RWD}	90	–	100	–	110	–	ns
Column address to WRITE delay time ¹⁰⁾	t_{AWD}	60	–	65	–	70	–	ns
CAS setup time (CBR cycle)	t_{CSR}	5	–	5	–	5	–	ns
CAS hold time (CBR cycle)	t_{CHR}	15	–	15	–	15	–	ns
RAS to CAS precharge time	t_{RPC}	0	–	0	–	0	–	ns
CAS precharge time (CAS before RAS counter test cycle)	t_{CPT}	30	–	40	–	40	–	ns
Write to RAS precharge time (CBR cycle)	t_{WRP}	10	–	10	–	10	–	ns
Write to RAS hold time (CBR cycle)	t_{WRH}	10	–	10	–	10	–	ns
OE command hold time	t_{OEH}	20	–	20	–	20	–	ns
OE acces time	t_{OEA}	–	20	–	20	–	20	ns
RAS hold time referenced to OE	t_{ROH}	10	–	10	–	10	–	ns
Output buffer turn-off delay from OE	t_{OEZ}	0	20	0	20	0	20	ns
Data to CAS low delay ¹⁴⁾	t_{DZC}	0	–	0	–	0	–	ns

AC Characteristics (cont'd)⁴⁾

$T_A = 0$ to 70 °C; $V_{CC} = 5$ V \pm 10 %; $t_T = 5$ ns

Parameter	Symbol	Limit Values						Unit
		-60		-70		-80		
		min.	max.	min.	max.	min.	max.	
Data to OE low delay ¹⁴⁾	t_{DZ0}	0	–	0	–	0	–	ns
CAS high to data delay ¹⁵⁾	t_{CDD}	20	–	20	–	20	–	ns
OE high to data delay ¹⁵⁾	t_{ODD}	20	–	20	–	20	–	ns
CAS hold time after OE low	t_{OECH}	20	–	20	–	20	–	ns

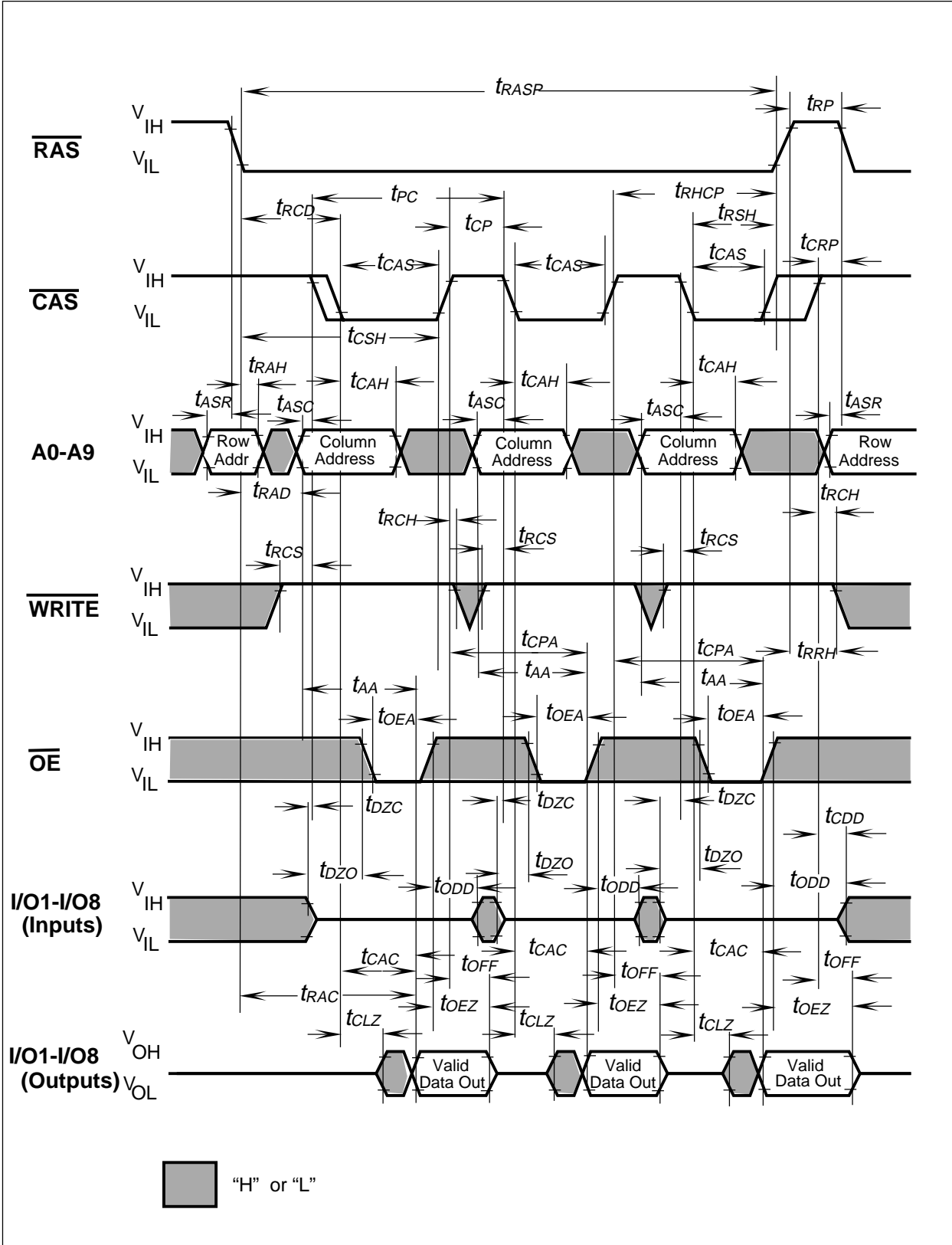
Capacitance

$T_A = 0$ to 70 °C; $V_{CC} = 5$ V \pm 10 %; $f = 1$ MHz

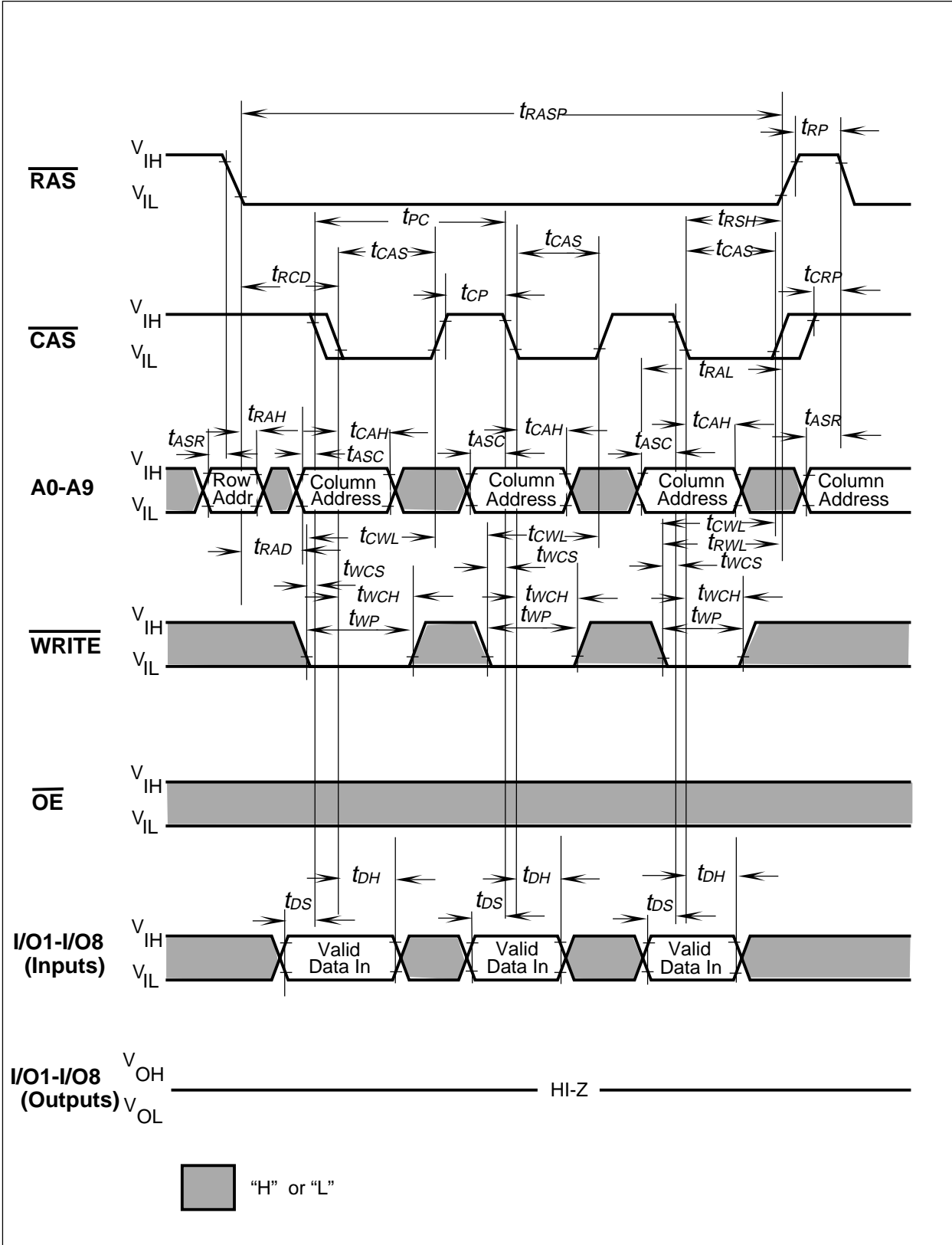
Parameter	Symbol	Limit Values		Unit
		min.	max.	
Input capacitance (A0 to A9)	C_{i1}	–	5	pF
Input capacitance (\overline{RAS} , \overline{CAS} , \overline{WE})	C_{i2}	–	7	pF
Output capacitance (IO1 to IO8)	C_{io}	–	7	pF

Notes:

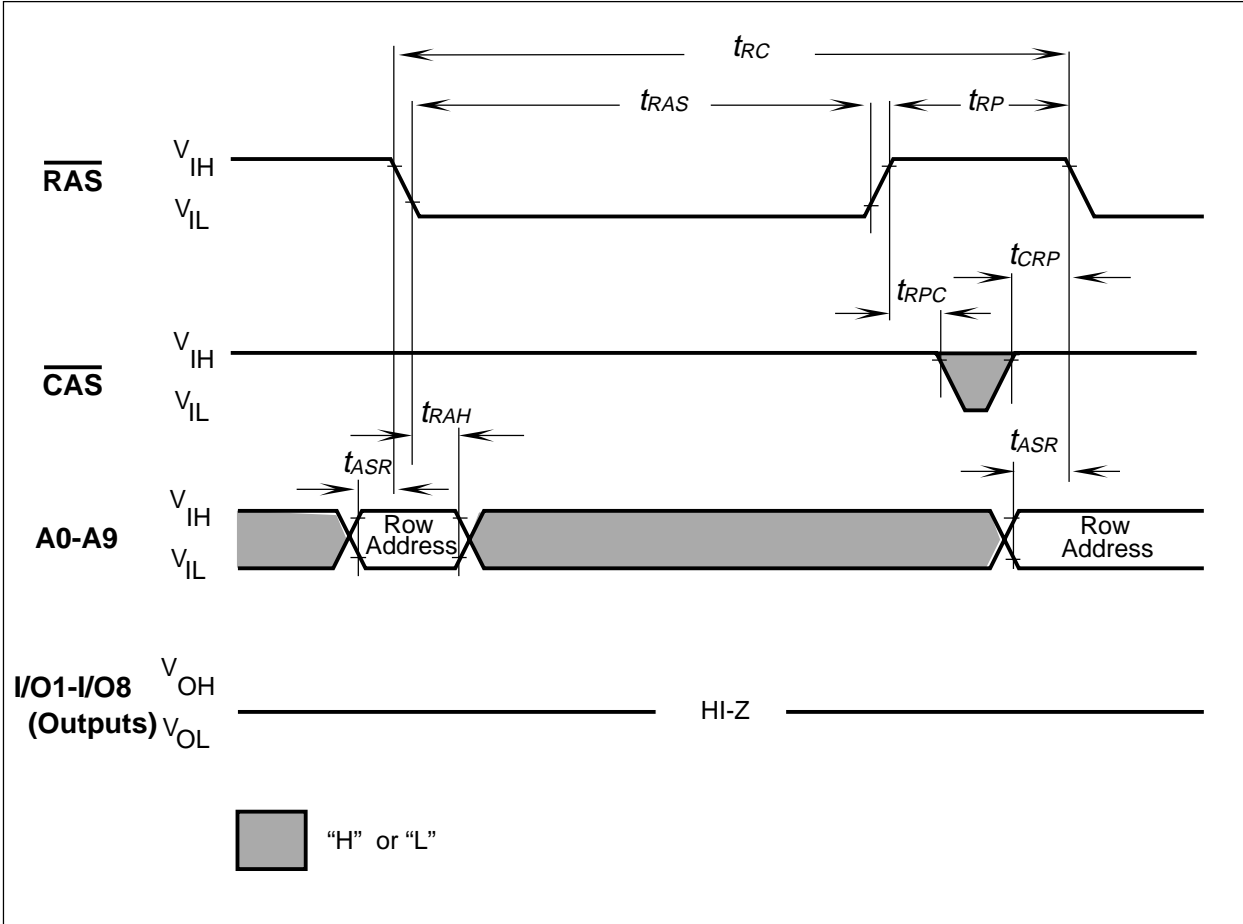
- 1) All voltages are referenced to V_{SS} .
- 2) I_{CC1} , I_{CC3} , I_{CC4} and I_{CC6} depend on cycle rate.
- 3) I_{CC1} , I_{CC4} depend on output loading.
- 4) An initial pause of 200 μ s is required after power-up followed by 8 RAS cycles of which at least one cycle has to be a refresh cycle, before proper device operation is achieved. In case of using the internal refresh counter, a minimum of 8 CAS-before-RAS initialization cycles instead of 8 RAS cycles are required.
- 5) V_{ih} (min.) and V_{il} (max.) are reference levels for measuring timing of input signals. Transition times are also measured between V_{ih} and V_{il} .
- 6) Measured with a load equivalent to 2 TTL loads and 100 pF.
- 7) t_{off} (max.), t_{OEZ} (max.) defines the time at which the output achieves the open-circuit conditions and are not referenced to output voltage levels.
- 8) Either t_{RCH} or t_{RRH} must be satisfied for a read cycle.
- 9) These parameters are references to the CAS leading edge in early write and to the WRITE leading edge in read-write cycles.
- 10) t_{WCS} , t_{RWD} , t_{CWD} and t_{AWD} are not restrictive operating parameters. They are included in the data sheet as electrical characteristics only.
If $t_{WCS} > t_{WCS}$ (min.), the cycle is an early write cycle and data out pin will remain open-circuit (high impedance) through the entire cycle; if $t_{RWD} > t_{RWD}$ (min.), $t_{CWD} > t_{CWD}$ (min.) and $t_{AWD} > t_{AWD}$ (min.), the cycle is a read-write cycle and I/O will contain data read from the selected cell. If neither of the above sets of conditions is satisfied, the condition of I/O (at access time) is indeterminate.
- 11) Operation within the t_{RCD} (max.) limit ensure that t_{RAC} (max.) can be met. t_{RCD} (max.) is specified as a reference point only. If t_{RAD} is greater than the specified t_{RCD} (max.) limit, then access time is controlled by t_{CAC} .
- 12) Operation within the t_{RAD} (max.) limit ensured that t_{RAC} (max.) can be met. t_{RAD} (max.) is specified as a reference point only. If t_{RAD} is greater than the specified t_{RAD} (max.) limit, then access time is controlled by t_{AA} .
- 13) AC measurements assume $t_T = 5$ ns.
- 14) Either t_{DZC} or t_{DZO} must be satisfied.
- 15) Either t_{CDD} or t_{ODD} must be satisfied.



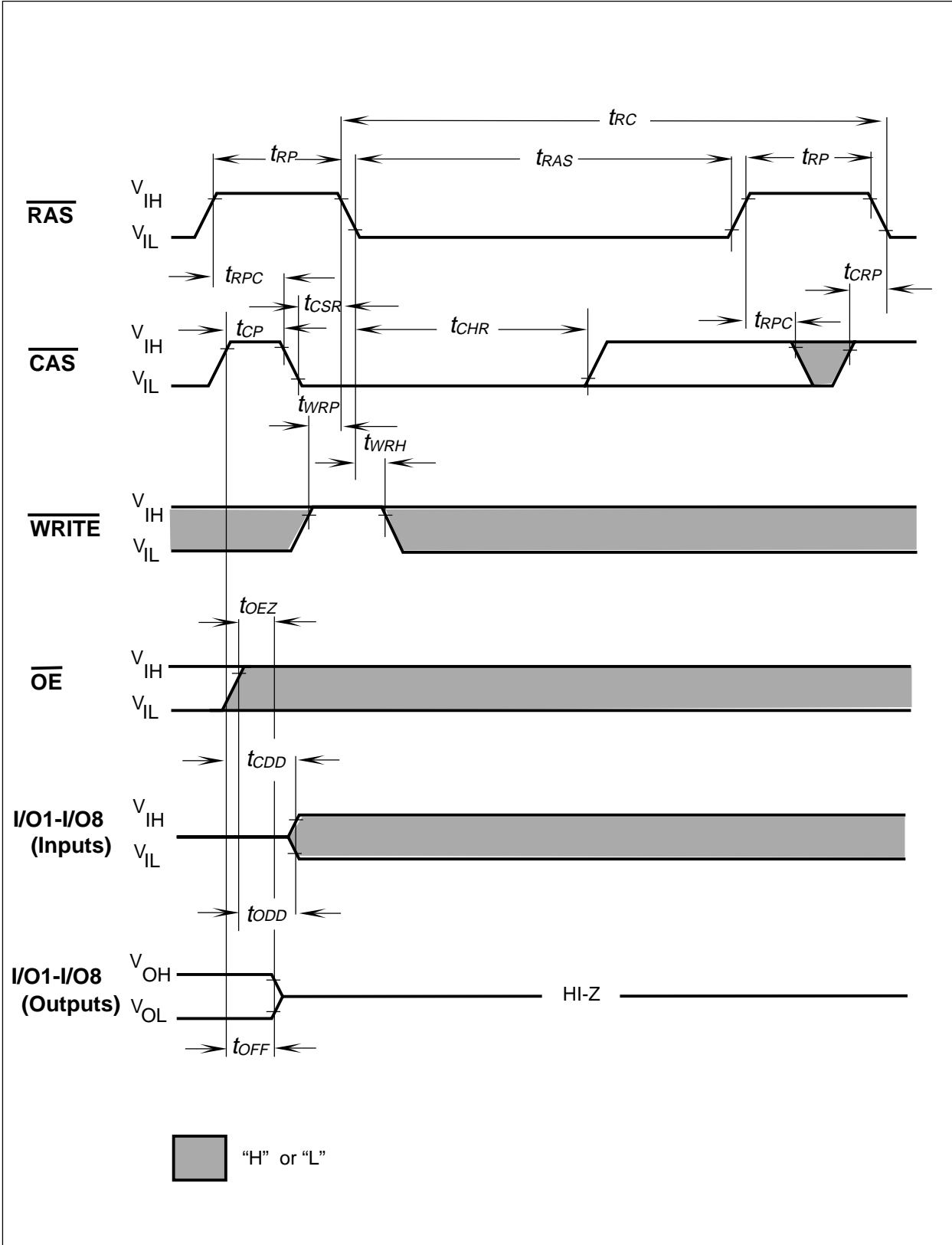
Fast Page Mode Read Cycle



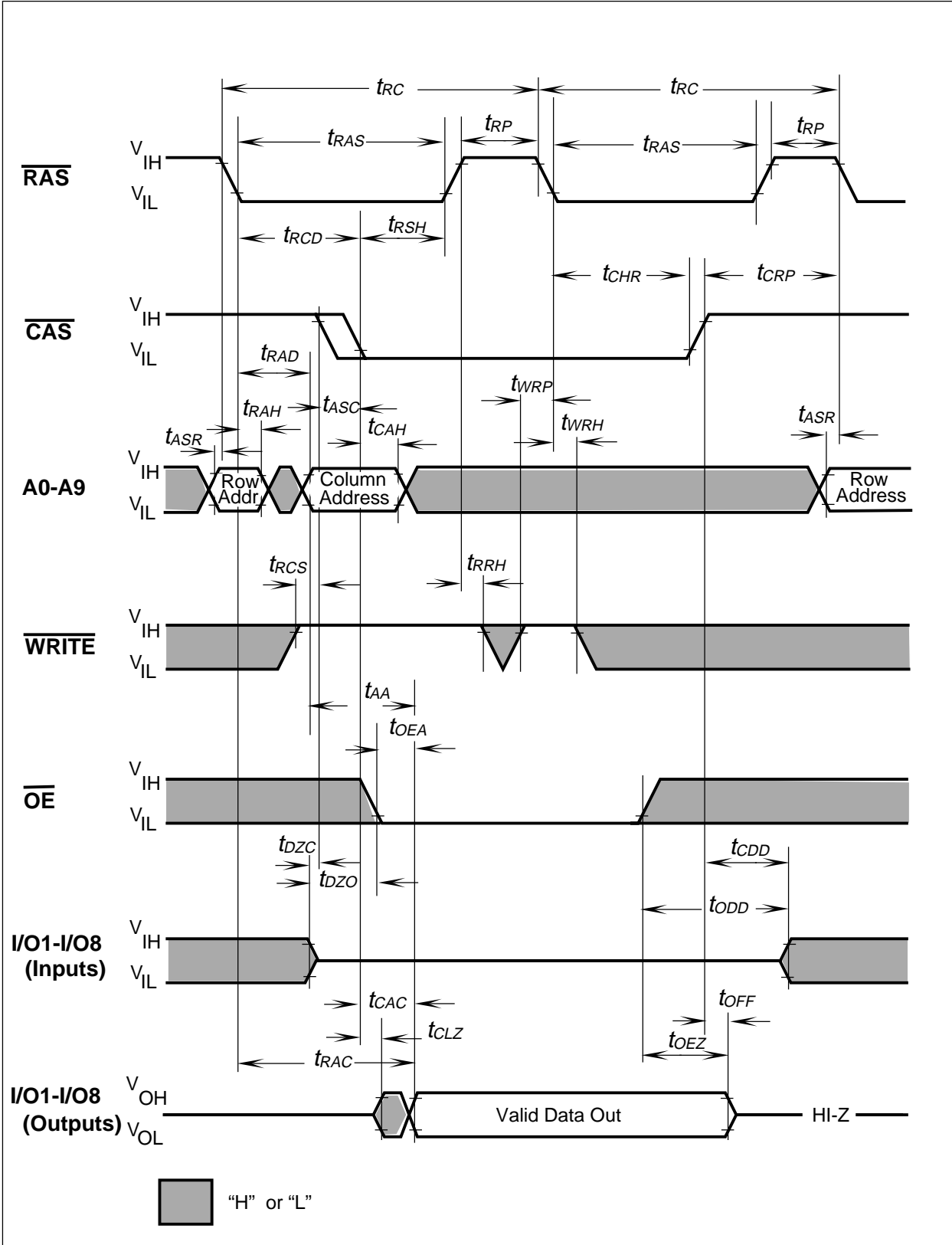
Fast Page Mode Early Write Cycle



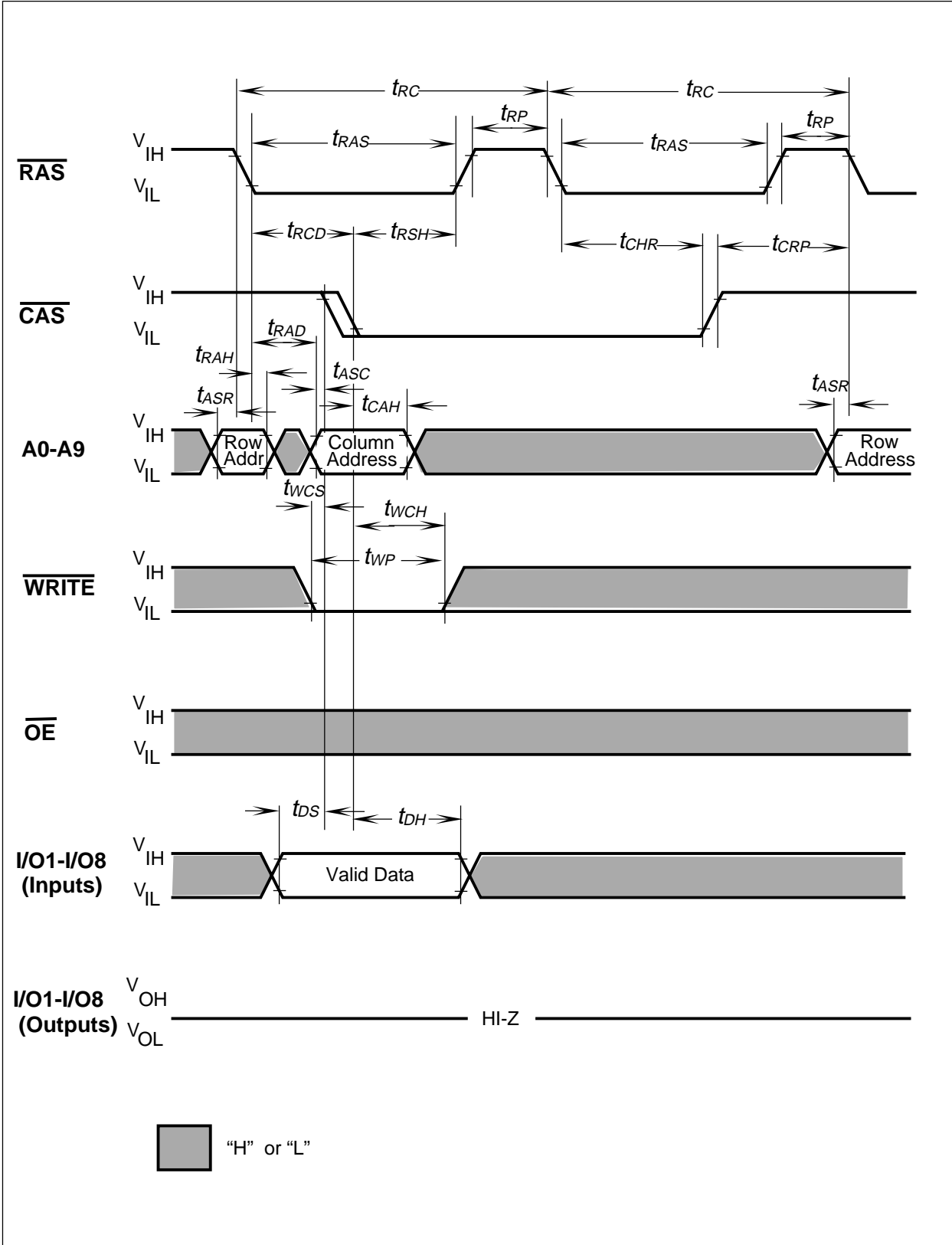
RAS-Only Refresh Cycle



CAS-Before-RAS Refresh Cycle



Hidden Refresh Cycle (Read)



Hidden Refresh Cycle (Early Write)

