

1M x 32-Bit Dynamic RAM Module (2M x 16-Bit Dynamic RAM Module)

HYM 321160S/GS-60/-70

Advanced Information

- 1 048 576 words by 32-bit organization
(alternative 2 097 152 words by 16-bit)
- Fast access and cycle time
60 ns access time
110 ns cycle time (-60 version)
70 ns access time
130 ns cycle time (-70 version)
- Fast page mode capability with
40 ns cycle time (-60 version)
45 ns cycle time (-70 version)
- Single + 5 V (± 10 %) supply
- Low power dissipation
max. 4840 mW active (-60 version)
max. 4400 mW active (-70 version)
CMOS – 44 mW standby
TTL – 88 mW standby
- $\overline{\text{CAS}}$ -before- $\overline{\text{RAS}}$ refresh, $\overline{\text{RAS}}$ -only-refresh, Hidden refresh
- 8 decoupling capacitors mounted on substrate
- All inputs, outputs and clock fully TTL compatible
- 72 pin Single in-Line Memory Module
- Utilizes eight 1M × 4-DRAMs in 300 mil SOJ packages
- 1024 refresh cycles /16 ms
- Tin-Lead contact pads (S - version)
- Gold contact pads (GS - version)
- single sided module with 25.4 mm (1000 mil) height

Ordering Information

Type	Ordering Code	Package	Descriptions
HYM 321160S-60	Q67100-Q2010	L-SIM-72-11	DRAM module (access time 60 ns)
HYM 321160S-70	on request	L-SIM-72-11	DRAM module (access time 70 ns)
HYM 321160GS-60	Q67100-Q2009	L-SIM-72-11	DRAM module (access time 60 ns)
HYM 321160GS-70	on request	L-SIM-72-11	DRAM module (access time 70 ns)

The HYM 321160S/GS-60/-70 is a 4 M Byte DRAM module organized as 1 048 576 words by 32-bit in a 72-pin single-in-line package comprising eight HYB 514400BJ 1M x 4 DRAMs in 300 mil wide SOJ-packages mounted together with eight 0.2 μ F ceramic decoupling capacitors on a PC board.

The HYM 321160S/GS-60/-70 can also be used as a 2 097 152 words by 16-bits dynamic RAM module by means of connecting DQ0 and DQ16, DQ1 and DQ17, DQ2 and DQ18, ..., DQ15 and DQ31, respectively.

Each HYB 514400BJ is described in the data sheet and is fully electrically tested and processed according to Siemens standard quality procedure prior to module assembly. After assembly onto the board, a further set of electrical tests is performed.

The speed of the module can be detected by the use of four presence detect pins.

The common I/O feature on the HYM 321160S/GS-60/-70 dictates the use of early write cycles.

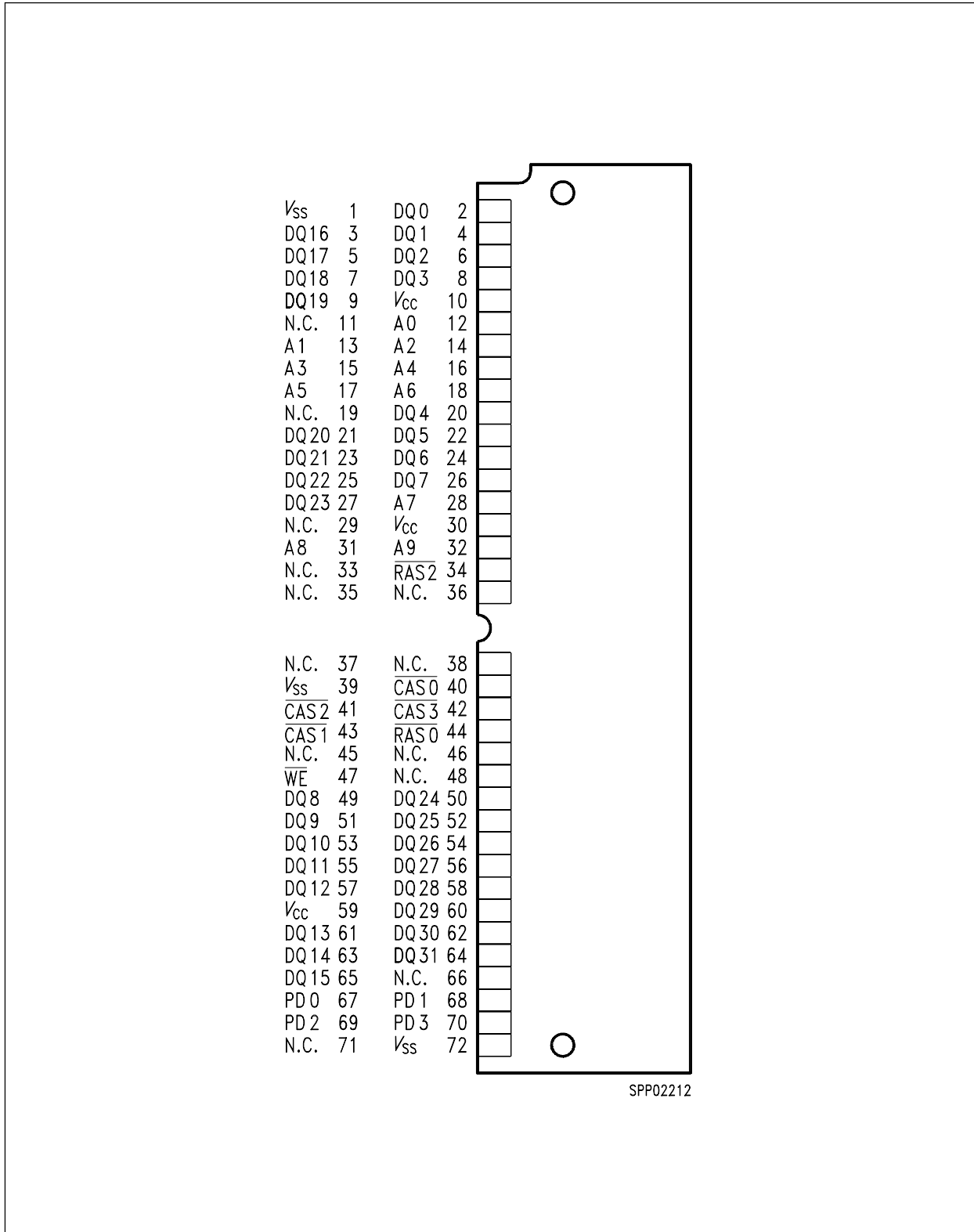
Pin Definitions and Functions

Pin No.	Function
A0-A9	Address Inputs
DQ0-DQ31	Data Input/Output
$\overline{\text{CAS0}} - \overline{\text{CAS3}}$	Column Address Strobe
$\overline{\text{RAS0}}, \overline{\text{RAS2}}$	Row Address Strobe
$\overline{\text{WE}}$	Read/Write Input
V_{CC}	Power (+ 5 V)
V_{SS}	Ground
PD	Presence Detect Pin
N.C.	No Connection

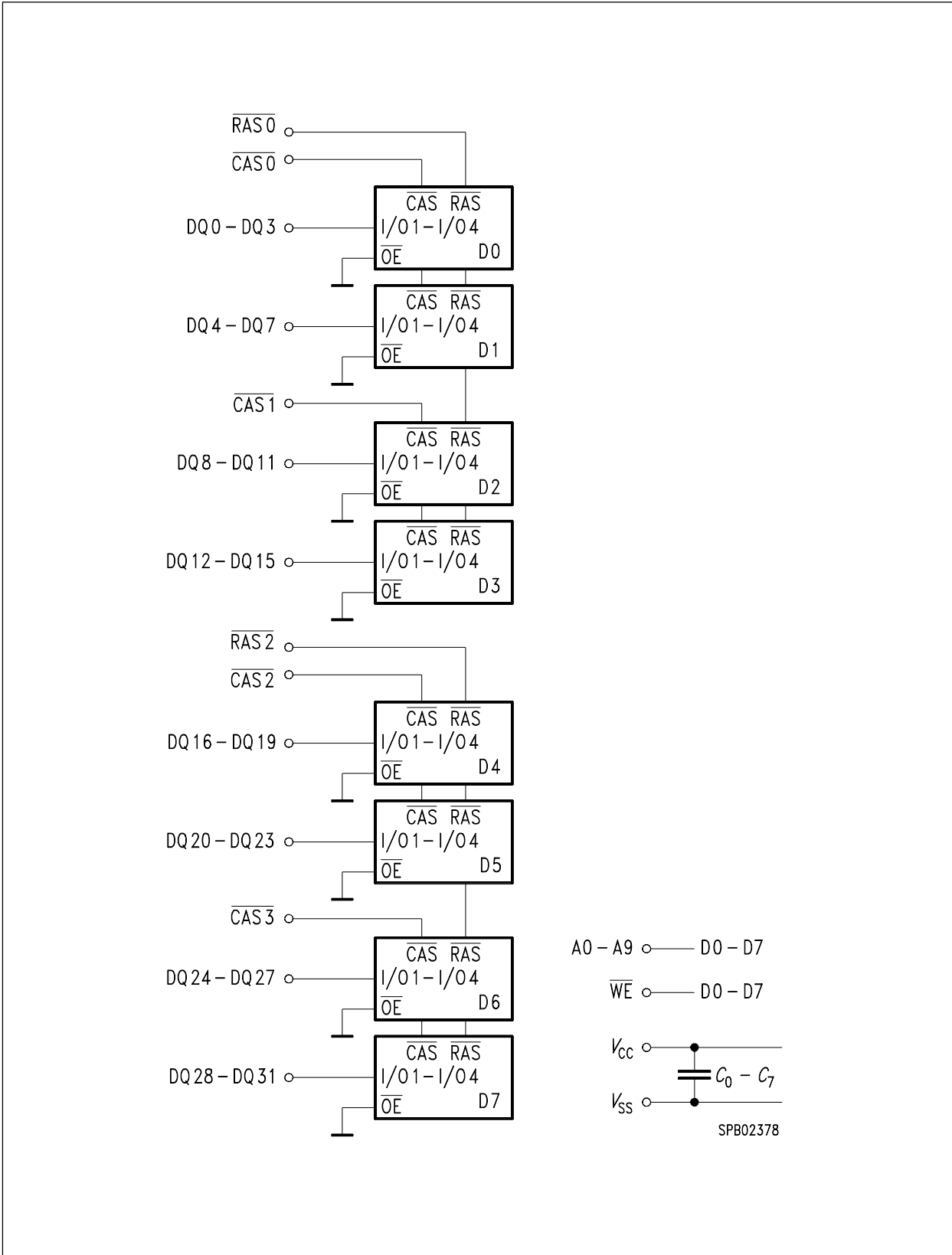
Presence Detect Pins

	-60	-70
PD0	V_{SS}	V_{SS}
PD1	V_{SS}	V_{SS}
PD2	N.C.	V_{SS}
PD3	N.C.	N.C.

Pin Configuration
(top view)



SPP02212



Block Diagram

Absolute Maximum Ratings

Operating temperature range	0 to + 70 °C
Storage temperature range.....	- 55 to + 125 °C
Soldering temperature	260 °C
Soldering time	10 s
Input/output voltage	- 1 to + 7 V
Power supply voltage.....	- 1 to + 7 V
Power dissipation.....	6.16 W
Data out current (short circuit)	50 mA

Note: Stresses above those listed under "Absolute Maximum Ratings" may cause permanent damage to the device. Exposure to absolute maximum rating conditions for extended periods may affect device reliability.

DC Characteristics ¹⁾

$T_A = 0$ to 70 °C; $V_{CC} = 5$ V \pm 10 %

Parameter	Symbol	Limit Values		Unit	Test Condition
		min.	max.		
Input high voltage	V_{IH}	2.4	5.5	V	-
Input low voltage	V_{IL}	- 1.0	0.8	V	-
Output high voltage ($I_{OUT} = - 5$ mA)	V_{OH}	2.4	-	V	-
Output low voltage ($I_{OUT} = 4.2$ mA)	V_{OL}	-	0.4	V	-
Input leakage current (0 V < $V_{IN} < 6.5$ V, all other pins = 0 V)	$I_{I(L)}$	- 20	20	μ A	-
Output leakage current (DO is disabled, 0 V < $V_{OUT} < 5.5$ V)	$I_{O(L)}$	- 10	10	μ A	-
Average V_{CC} supply current: -60 version -70 version (\overline{RAS} , \overline{CAS} , address cycling, $t_{RC} = t_{RC}$ min.)	I_{CC1}	-	880 800	mA mA	2), 3)
Standby V_{CC} supply current ($\overline{RAS} = \overline{CAS} = V_{IH}$)	I_{CC2}	-	16	mA	-
Average V_{CC} supply current during \overline{RAS} only refresh cycles: -60 version -70 version (\overline{RAS} cycling, $\overline{CAS} = V_{IH}$, $t_{RC} = t_{RC}$ min.)	I_{CC3}	-	880 800	mA mA	2)

DC Characteristics (cont'd) ¹⁾

Parameter	Symbol	Limit Values		Unit	Test Condition
		min.	max.		
Average V_{CC} supply current during fast page mode: -60 version -70 version ($\overline{RAS} = V_{IL}$, \overline{CAS} , address cycling $t_{PC} = t_{PC \text{ min.}}$)	I_{CC4}	–	560	mA	2), 3)
		–	560	mA	
Standby V_{CC} supply current ($\overline{RAS} = \overline{CAS} = V_{CC} - 0.2 \text{ V}$)	I_{CC5}	–	8	mA	–
Average V_{CC} supply current during CAS-before-RAS refresh mode: -60 version -70 version (\overline{RAS} , \overline{CAS} cycling, $t_{RC} = t_{RC \text{ min.}}$)	I_{CC6}	–	880	mA	1)
		–	800	mA	

Capacitance

$T_A = 0 \text{ to } 70 \text{ }^\circ\text{C}$; $V_{CC} = 5 \text{ V} \pm 10 \%$; $f = 1 \text{ MHz}$

Parameter	Symbol	Limit Values		Unit
		min.	max.	
Input capacitance (A0 to A9)	C_{I1}	–	70	pF
Input capacitance ($\overline{RAS0}$, $\overline{RAS2}$)	C_{I2}	–	35	pF
Input capacitance ($\overline{CAS0}$ - $\overline{CAS3}$)	C_{I3}	–	35	pF
Input capacitance (\overline{WE})	C_{I4}	–	45	pF
I/O capacitance (DQ0-DQ31)	C_{IO1}	–	20	pF

AC Characteristics ^{4) 5)}

$T_A = 0 \text{ to } 70 \text{ }^\circ\text{C}$; $V_{CC} = 5 \text{ V} \pm 10 \%$; $t_T = 5 \text{ ns}$

Parameter	Symbol	Limit Values				Unit
		HYM 321160S/GS-60		HYM 321160S/GS-70		
		min.	max.	min.	max.	
Random read or write cycle time	t_{RC}	110	–	130	–	ns
Fast page mode cycle time	t_{PC}	40	–	45	–	ns
Access time from $\overline{\text{RAS}}$ ^{6) 11) 12)}	t_{RAC}	–	60	–	70	ns
Access time from $\overline{\text{CAS}}$ ^{6) 11)}	t_{CAC}	–	15	–	20	ns
Access time from column address ^{6) 12)}	t_{AA}	–	30	–	35	ns
Access time from $\overline{\text{CAS}}$ precharge ⁶⁾	t_{CPA}	–	35	–	40	ns
$\overline{\text{CAS}}$ to output in low-Z ⁶⁾	t_{CLZ}	0	–	0	–	ns
Output buffer turn-off delay ⁷⁾	t_{OFF}	0	20	0	20	ns
Transition time (rise and fall) ⁵⁾	t_T	3	50	3	50	ns
$\overline{\text{RAS}}$ precharge time	t_{RP}	40	–	50	–	ns
$\overline{\text{RAS}}$ pulse width	t_{RAS}	60	10000	70	10000	ns
$\overline{\text{RAS}}$ pulse width (fast page mode)	t_{RASP}	60	200000	70	200000	ns
$\overline{\text{CAS}}$ precharge to $\overline{\text{RAS}}$ delay	t_{RHCP}	35	–	40	–	ns
$\overline{\text{RAS}}$ hold time	t_{RSH}	15	–	20	–	ns
$\overline{\text{CAS}}$ hold time	t_{CSH}	60	–	70	–	ns
$\overline{\text{CAS}}$ pulse width	t_{CAS}	15	10000	20	10000	ns
$\overline{\text{RAS}}$ to $\overline{\text{CAS}}$ delay time ¹¹⁾	t_{RCD}	20	45	20	50	ns
$\overline{\text{RAS}}$ to column address delay time ¹²⁾	t_{RAD}	15	30	15	35	ns
$\overline{\text{CAS}}$ to $\overline{\text{RAS}}$ precharge time	t_{CRP}	5	–	5	–	ns
$\overline{\text{CAS}}$ precharge time (fast page mode)	t_{CP}	10	–	10	–	ns
Row address setup time	t_{ASR}	0	–	0	–	ns
Row address hold time	t_{RAH}	10	–	10	–	ns
Column address setup time	t_{ASC}	0	–	0	–	ns
Column address hold time	t_{CAH}	15	–	15	–	ns

AC Characteristics (cont'd) ^{4) 5)}

$T_A = 0$ to 70 °C; $V_{CC} = 5$ V \pm 10 %; $t_T = 5$ ns

Parameter	Symbol	Limit Values				Unit
		HYM 321160S/GS-60		HYM 321160S/GS-70		
		min.	max.	min.	max.	
Column address to $\overline{\text{RAS}}$ lead time	t_{RAL}	30	–	35	–	ns
Read command setup time	t_{RCS}	0	–	0	–	ns
Read command hold time ⁸⁾	t_{RCH}	0	–	0	–	ns
Read command hold time ref. to $\overline{\text{RAS}}$ ⁸⁾	t_{RRH}	0	–	0	–	ns
Write command hold time	t_{WCH}	10	–	15	–	ns
Write command pulse width	t_{WCP}	10	–	15	–	ns
Write command to $\overline{\text{RAS}}$ lead time	t_{RWL}	15	–	20	–	ns
Write command to $\overline{\text{CAS}}$ lead time	t_{CWL}	15	–	20	–	ns
Data setup time ⁹⁾	t_{DS}	0	–	0	–	ns
Data hold time ⁹⁾	t_{DH}	15	–	15	–	ns
Refresh period	t_{REF}	–	16	–	16	ms
Write command setup time ¹⁰⁾	t_{WCS}	0	–	0	–	ns
$\overline{\text{CAS}}$ setup time ¹³⁾	t_{CSR}	5	–	5	–	ns
$\overline{\text{CAS}}$ hold time ¹³⁾	t_{CHR}	15	–	15	–	ns
$\overline{\text{RAS}}$ to $\overline{\text{CAS}}$ precharge time	t_{RPC}	0	–	0	–	ns
$\overline{\text{CAS}}$ precharge time	t_{CP}	10	–	10	–	ns
Write to $\overline{\text{RAS}}$ precharge time ¹³⁾	t_{WRP}	10	–	10	–	ns
Write to time ref. to $\overline{\text{RAS}}$ ¹³⁾	t_{WRH}	10	–	10	–	ns

Notes

- 1) All voltages are referenced to V_{SS} .
- 2) I_{CC1} , I_{CC3} , I_{CC4} and I_{CC6} depend on cycle rate.
- 3) I_{CC1} and I_{CC4} depend on output loading. Specified values are measured with the output open.
- 4) An initial pause of 200 μ s is required after power-up followed by 8 \overline{RAS} cycles out of which at least one cycle has to be a refresh cycle before proper device operation is achieved. In case of using internal refresh counter, a minimum of 8 \overline{CAS} -before- \overline{RAS} initialization cycles instead of 8 \overline{RAS} cycles are required.
- 5) V_{IH} (min.) and V_{IL} (max.) are reference levels for measuring timing of input signals. Transition times are also measured between V_{IH} and V_{IL} .
- 6) Measured with a load equivalent of 2 TTL loads and 100 pF.
- 7) t_{OFF} (max.) defines the time at which the output achieves the open-circuit condition and is not referenced to output voltage levels.
- 8) Either t_{RCH} or t_{RRH} must be satisfied for a read cycle.
- 9) These parameters are referenced to the \overline{CAS} leading edge.
- 10) t_{WCS} is not a restrictive operating parameter. This is included in the data sheet as electrical characteristic only. If $t_{WCS} > t_{WCS}$ (min.), the cycle is an early write cycle and data out pin will remain open circuit (high impedance).
- 11) Operation within the t_{RCD} (max.) limit insures that t_{RAC} (max.) can be met. t_{RCD} (max.) is specified as a reference point only. If t_{RCD} is greater than the specified t_{RCD} (max.) limit, then access time is controlled by t_{CAC} .
- 12) Operation within the t_{RAD} (max.) limit insures that t_{RAC} (max.) can be met. t_{RAD} (max.) is specified as a reference point only. If t_{RAD} is greater than the specified t_{RAD} (max.) limit, then access time is controlled by t_{AA} .
- 13) For \overline{CAS} -before- \overline{RAS} cycles only.