

### Advanced Information

- 4 194 304 words by 32-bit organization (alternative 8 388 608 words by 16-bit)
- Fast access and cycle time
  - 50 ns access time
  - 90 ns cycle time (-50 version)
  - 60 ns access time
  - 110 ns cycle time (-60 version)
- Fast page mode capability
  - 35 ns cycle time (-50 version)
  - 40 ns cycle time (-60 version)
- Single + 5 V ( $\pm 10\%$ ) supply
- Low power dissipation
  - max. 5280 mW active (HYM 324020S/GS-50)
  - max. 4840 mW active (HYM 324020S/GS-60)
  - CMOS – 44 mW standby
  - TTL – 88 mW standby
- $\overline{\text{CAS}}$ -before- $\overline{\text{RAS}}$  refresh
  - $\overline{\text{RAS}}$ -only-refresh
  - Hidden-refresh
- 8 decoupling capacitors mounted on substrate
- All inputs, outputs and clocks fully TTL compatible
- 72 pin Single in-Line Memory Module with 22.86 mm (900 mil) height
- Utilizes eight 4Mx4-DRAMs in 300mil wide SOJ packages
- 2048 refresh cycles / 32 ms
- Optimized for use in byte-write non-parity applications
- Tin-Lead contact pads (S - version)
- Gold contact pads (GS - version)

The HYM 324020S/GS-50/-60 is a 16 MByte DRAM module organized as 4 194 304 words by 32-bit in a 72-pin single-in-line package comprising eight HYB 5117400BJ 4M x 4 DRAMs in 300 mil wide SOJ-packages mounted together with eight 0.2  $\mu$ F ceramic decoupling capacitors on a PC board.

The HYM 324020S/GS-50/-60 can also be used as a 8 388 608 words by 16-bits dynamic RAM module by means of connecting DQ0 and DQ16, DQ1 and DQ17, DQ2 and DQ18, ..., DQ15 and DQ31, respectively.

Each HYB 5117400BJ is described in the data sheet and is fully electrical tested and processed according to SIEMENS standard quality procedure prior to module assembly. After assembly onto the board, a further set of electrical tests is performed.

The speed of the module can be detected by the use of four presence detect pins.

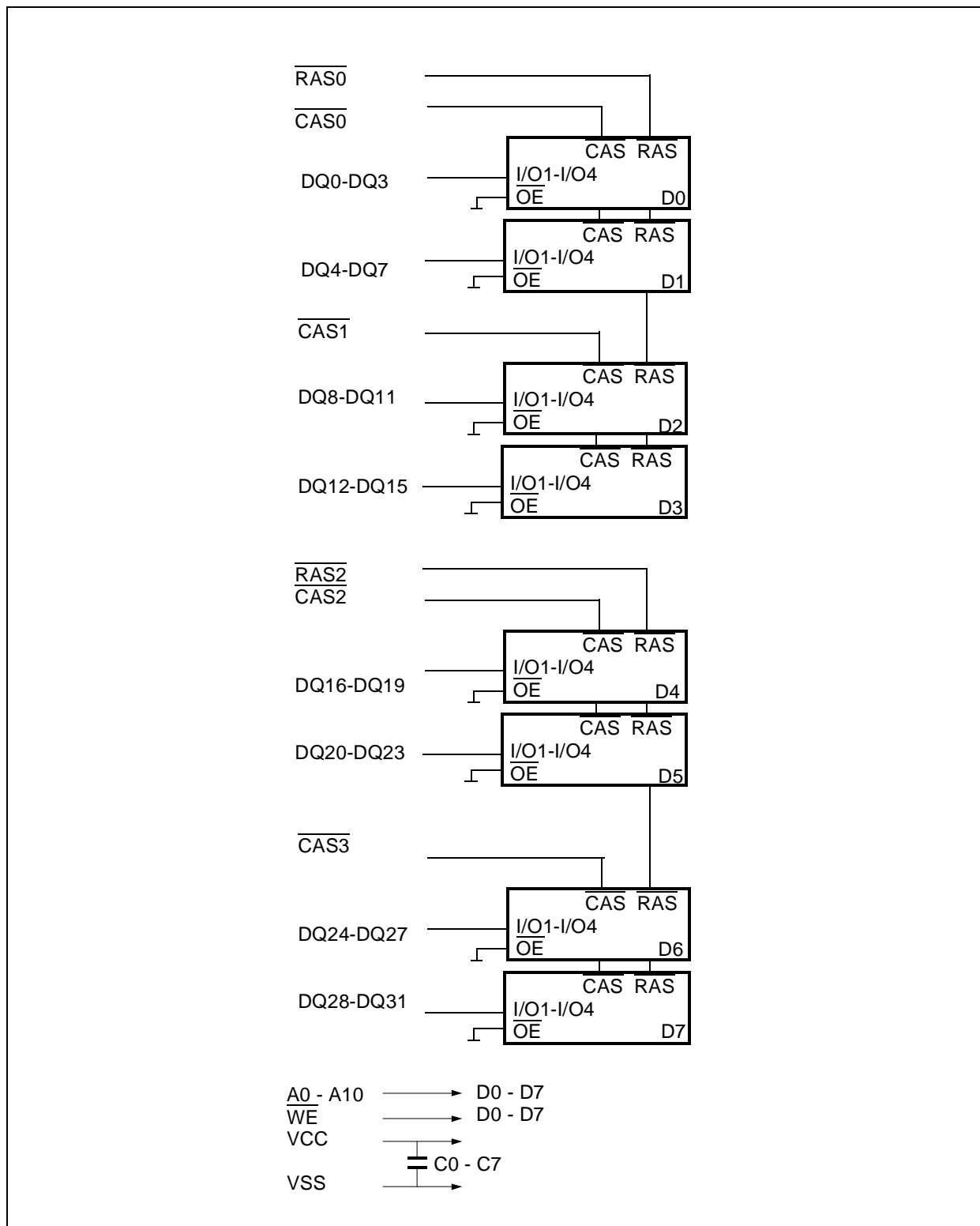
The common I/O feature on the HYM 324020S/GS-50/-60 dictates the use of early write cycles.

### Ordering Information

Type	Ordering Code	Package	Description
HYM 324020S-50	on request	L-SIM-72-12	DRAM Module (access time 50 ns)
HYM 324020S-60	Q67100-Q979	L-SIM-72-12	DRAM Module (access time 60 ns)
HYM 324020GS-50	on request	L-SIM-72-12	DRAM Module (access time 50 ns)
HYM 324020GS-60	Q67100-Q2005	L-SIM-72-12	DRAM Module (access time 60 ns)

### Pin Configuration

<table border="0" style="width: 100%;"> <tr><td>VSS</td><td>1</td><td>DQ0</td><td>2</td></tr> <tr><td>DQ16</td><td>3</td><td>DQ1</td><td>4</td></tr> <tr><td>DQ17</td><td>5</td><td>DQ2</td><td>6</td></tr> <tr><td>DQ18</td><td>7</td><td>DQ3</td><td>8</td></tr> <tr><td>DQ19</td><td>9</td><td>VCC</td><td>10</td></tr> <tr><td>N.C.</td><td>11</td><td>A0</td><td>12</td></tr> <tr><td>A1</td><td>13</td><td>A2</td><td>14</td></tr> <tr><td>A3</td><td>15</td><td>A4</td><td>16</td></tr> <tr><td>A5</td><td>17</td><td>A6</td><td>18</td></tr> <tr><td>A10</td><td>19</td><td>DQ4</td><td>20</td></tr> <tr><td>DQ20</td><td>21</td><td>DQ5</td><td>22</td></tr> <tr><td>DQ21</td><td>23</td><td>DQ6</td><td>24</td></tr> <tr><td>DQ22</td><td>25</td><td>DQ7</td><td>26</td></tr> <tr><td>DQ23</td><td>27</td><td>A7</td><td>28</td></tr> <tr><td>N.C.</td><td>29</td><td>VCC</td><td>30</td></tr> <tr><td>A8</td><td>31</td><td>A9</td><td>32</td></tr> <tr><td>N.C.</td><td>33</td><td><math>\overline{\text{RAS2}}</math></td><td>34</td></tr> <tr><td>N.C.</td><td>35</td><td>N.C.</td><td>36</td></tr> <tr><td colspan="4"> </td></tr> <tr><td>N.C.</td><td>37</td><td>N.C.</td><td>38</td></tr> <tr><td>VSS</td><td>39</td><td><math>\overline{\text{CAS0}}</math></td><td>40</td></tr> <tr><td><math>\overline{\text{CAS2}}</math></td><td>41</td><td><math>\overline{\text{CAS3}}</math></td><td>42</td></tr> <tr><td><math>\overline{\text{CAS1}}</math></td><td>43</td><td>RAS0</td><td>44</td></tr> <tr><td>N.C.</td><td>45</td><td>N.C.</td><td>46</td></tr> <tr><td>WE</td><td>47</td><td>N.C.</td><td>48</td></tr> <tr><td>DQ8</td><td>49</td><td>DQ24</td><td>50</td></tr> <tr><td>DQ9</td><td>51</td><td>DQ25</td><td>52</td></tr> <tr><td>DQ10</td><td>53</td><td>DQ26</td><td>54</td></tr> <tr><td>DQ11</td><td>55</td><td>DQ27</td><td>56</td></tr> <tr><td>DQ12</td><td>57</td><td>DQ28</td><td>58</td></tr> <tr><td>VCC</td><td>59</td><td>DQ29</td><td>60</td></tr> <tr><td>DQ13</td><td>61</td><td>DQ30</td><td>62</td></tr> <tr><td>DQ14</td><td>63</td><td>DQ31</td><td>64</td></tr> <tr><td>DQ15</td><td>65</td><td>N.C.</td><td>66</td></tr> <tr><td>PD0</td><td>67</td><td>PD1</td><td>68</td></tr> <tr><td>PD2</td><td>69</td><td>PD3</td><td>70</td></tr> <tr><td>N.C.</td><td>71</td><td>VSS</td><td>72</td></tr> </table>	VSS	1	DQ0	2	DQ16	3	DQ1	4	DQ17	5	DQ2	6	DQ18	7	DQ3	8	DQ19	9	VCC	10	N.C.	11	A0	12	A1	13	A2	14	A3	15	A4	16	A5	17	A6	18	A10	19	DQ4	20	DQ20	21	DQ5	22	DQ21	23	DQ6	24	DQ22	25	DQ7	26	DQ23	27	A7	28	N.C.	29	VCC	30	A8	31	A9	32	N.C.	33	$\overline{\text{RAS2}}$	34	N.C.	35	N.C.	36					N.C.	37	N.C.	38	VSS	39	$\overline{\text{CAS0}}$	40	$\overline{\text{CAS2}}$	41	$\overline{\text{CAS3}}$	42	$\overline{\text{CAS1}}$	43	RAS0	44	N.C.	45	N.C.	46	WE	47	N.C.	48	DQ8	49	DQ24	50	DQ9	51	DQ25	52	DQ10	53	DQ26	54	DQ11	55	DQ27	56	DQ12	57	DQ28	58	VCC	59	DQ29	60	DQ13	61	DQ30	62	DQ14	63	DQ31	64	DQ15	65	N.C.	66	PD0	67	PD1	68	PD2	69	PD3	70	N.C.	71	VSS	72		<h4>Pin Names</h4> <table border="1" style="width: 100%; border-collapse: collapse;"> <tr><td>A0-A10</td><td>Address Inputs for HYM 324020S/GS</td></tr> <tr><td>DQ0-DQ31</td><td>Data Input/Output</td></tr> <tr><td><math>\overline{\text{CAS0}}</math> - <math>\overline{\text{CAS3}}</math></td><td>Column Address Strobe</td></tr> <tr><td><math>\overline{\text{RAS0}}</math>, <math>\overline{\text{RAS2}}</math></td><td>Row Address Strobe</td></tr> <tr><td>WE</td><td>Read/Write Input</td></tr> <tr><td><math>V_{CC}</math></td><td>Power (+ 5 V)</td></tr> <tr><td><math>V_{SS}</math></td><td>Ground</td></tr> <tr><td>PD</td><td>Presence Detect Pin</td></tr> <tr><td>N.C.</td><td>No Connection</td></tr> </table> <h4>Presence Detect Pins</h4> <table border="1" style="width: 100%; border-collapse: collapse;"> <thead> <tr> <th></th> <th>-50</th> <th>-60</th> </tr> </thead> <tbody> <tr><td>PD0</td><td><math>V_{SS}</math></td><td><math>V_{SS}</math></td></tr> <tr><td>PD1</td><td>N.C.</td><td>N.C.</td></tr> <tr><td>PD2</td><td><math>V_{SS}</math></td><td>N.C.</td></tr> <tr><td>PD3</td><td><math>V_{SS}</math></td><td>N.C.</td></tr> </tbody> </table>	A0-A10	Address Inputs for HYM 324020S/GS	DQ0-DQ31	Data Input/Output	$\overline{\text{CAS0}}$ - $\overline{\text{CAS3}}$	Column Address Strobe	$\overline{\text{RAS0}}$ , $\overline{\text{RAS2}}$	Row Address Strobe	WE	Read/Write Input	$V_{CC}$	Power (+ 5 V)	$V_{SS}$	Ground	PD	Presence Detect Pin	N.C.	No Connection		-50	-60	PD0	$V_{SS}$	$V_{SS}$	PD1	N.C.	N.C.	PD2	$V_{SS}$	N.C.	PD3	$V_{SS}$	N.C.
VSS	1	DQ0	2																																																																																																																																																																																				
DQ16	3	DQ1	4																																																																																																																																																																																				
DQ17	5	DQ2	6																																																																																																																																																																																				
DQ18	7	DQ3	8																																																																																																																																																																																				
DQ19	9	VCC	10																																																																																																																																																																																				
N.C.	11	A0	12																																																																																																																																																																																				
A1	13	A2	14																																																																																																																																																																																				
A3	15	A4	16																																																																																																																																																																																				
A5	17	A6	18																																																																																																																																																																																				
A10	19	DQ4	20																																																																																																																																																																																				
DQ20	21	DQ5	22																																																																																																																																																																																				
DQ21	23	DQ6	24																																																																																																																																																																																				
DQ22	25	DQ7	26																																																																																																																																																																																				
DQ23	27	A7	28																																																																																																																																																																																				
N.C.	29	VCC	30																																																																																																																																																																																				
A8	31	A9	32																																																																																																																																																																																				
N.C.	33	$\overline{\text{RAS2}}$	34																																																																																																																																																																																				
N.C.	35	N.C.	36																																																																																																																																																																																				
N.C.	37	N.C.	38																																																																																																																																																																																				
VSS	39	$\overline{\text{CAS0}}$	40																																																																																																																																																																																				
$\overline{\text{CAS2}}$	41	$\overline{\text{CAS3}}$	42																																																																																																																																																																																				
$\overline{\text{CAS1}}$	43	RAS0	44																																																																																																																																																																																				
N.C.	45	N.C.	46																																																																																																																																																																																				
WE	47	N.C.	48																																																																																																																																																																																				
DQ8	49	DQ24	50																																																																																																																																																																																				
DQ9	51	DQ25	52																																																																																																																																																																																				
DQ10	53	DQ26	54																																																																																																																																																																																				
DQ11	55	DQ27	56																																																																																																																																																																																				
DQ12	57	DQ28	58																																																																																																																																																																																				
VCC	59	DQ29	60																																																																																																																																																																																				
DQ13	61	DQ30	62																																																																																																																																																																																				
DQ14	63	DQ31	64																																																																																																																																																																																				
DQ15	65	N.C.	66																																																																																																																																																																																				
PD0	67	PD1	68																																																																																																																																																																																				
PD2	69	PD3	70																																																																																																																																																																																				
N.C.	71	VSS	72																																																																																																																																																																																				
A0-A10	Address Inputs for HYM 324020S/GS																																																																																																																																																																																						
DQ0-DQ31	Data Input/Output																																																																																																																																																																																						
$\overline{\text{CAS0}}$ - $\overline{\text{CAS3}}$	Column Address Strobe																																																																																																																																																																																						
$\overline{\text{RAS0}}$ , $\overline{\text{RAS2}}$	Row Address Strobe																																																																																																																																																																																						
WE	Read/Write Input																																																																																																																																																																																						
$V_{CC}$	Power (+ 5 V)																																																																																																																																																																																						
$V_{SS}$	Ground																																																																																																																																																																																						
PD	Presence Detect Pin																																																																																																																																																																																						
N.C.	No Connection																																																																																																																																																																																						
	-50	-60																																																																																																																																																																																					
PD0	$V_{SS}$	$V_{SS}$																																																																																																																																																																																					
PD1	N.C.	N.C.																																																																																																																																																																																					
PD2	$V_{SS}$	N.C.																																																																																																																																																																																					
PD3	$V_{SS}$	N.C.																																																																																																																																																																																					



**Block Diagram**

### Absolute Maximum Ratings

Operation temperature range .....	0 to + 70 °C
Storage temperature range.....	- 55 to 125 °C
Input/output voltage .....	-0.5V to min (V <sub>CC</sub> +0.5, 7.0) V
Power supply voltage.....	- 1 to + 7 V
Power dissipation.....	6.72 W
Data out current (short circuit) .....	50 mA

**Note:** Stresses above those listed under "Absolute Maximum Ratings" may cause permanent damage of the device. Exposure to absolute maximum rating conditions for extended periods may affect device reliability.

### DC Characteristics

$T_A = 0$  to 70 °C,  $V_{SS} = 0$  V,  $V_{CC} = 5$  V  $\pm$  10 %;  $t_T = 5$  ns

Parameter	Symbol	Limit Values		Unit	Test Condition
		min.	max.		
Input high voltage	$V_{IH}$	2.4	$V_{CC}+0.5$	V	1)
Input low voltage	$V_{IL}$	- 0.5	0.8	V	1)
Output high voltage ( $I_{OUT} = - 5$ mA)	$V_{OH}$	2.4	-	V	1)
Output low voltage ( $I_{OUT} = 4.2$ mA)	$V_{OL}$	-	0.4	V	1)
Input leakage current ( $0$ V $\leq V_{IH} \leq V_{CC} + 0.3$ V, all other pins = 0 V)	$I_{(L)}$	- 20	20	$\mu$ A	1)
Output leakage current (DO is disabled, $0$ V $\leq V_{OUT} \leq V_{CC} + 0.3$ V)	$I_{O(L)}$	- 10	10	$\mu$ A	1)
Average $V_{CC}$ supply current: -50 ns version -60 ns version (RAS, CAS, address cycling: $t_{RC} = t_{RC}$ min.)	$I_{CC1}$	-	960 880	mA mA	2) 3) 4) 2) 3) 4)
Standby $V_{CC}$ supply current ( $\overline{RAS} = \overline{CAS} = V_{IH}$ )	$I_{CC2}$	-	16	mA	-
Average $V_{CC}$ supply current, during $\overline{RAS}$ -only refresh cycles: -50 ns version -60 ns version ( $\overline{RAS}$ cycling, $\overline{CAS} = V_{IH}$ , $t_{RC} = t_{RC}$ min.)	$I_{CC3}$	-	960 880	mA mA	2) 4) 2) 4)
Average $V_{CC}$ supply current, during fast page mode: -50 ns version -60 ns version ( $\overline{RAS} = V_{IL}$ , $\overline{CAS}$ , address cycling: $t_{PC} = t_{PC}$ min.)	$I_{CC4}$	-	320 280	mA mA	2) 3) 4) 2) 3) 4)

### DC Characteristics (cont'd)

$T_A = 0$  to  $70$  °C,  $V_{SS} = 0$  V,  $V_{CC} = 5$  V  $\pm$  10 %;  $t_T = 5$  ns

Parameter	Symbol	Limit Values		Unit	Test Condition
		min.	max.		
Standby $V_{CC}$ supply current ( $\overline{RAS} = \overline{CAS} = V_{CC} - 0.2$ V)	$I_{CC5}$	–	8	mA	1)
Average $V_{CC}$ supply current, during $\overline{CAS}$ - before-RAS refresh mode: -50 ns version -60 ns version ( $\overline{RAS}$ , $\overline{CAS}$ cycling: $t_{RC} = t_{RC}$ min.)	$I_{CC6}$	– –	960 880	mA mA	2) 4) 2) 4)

### Capacitance

$T_A = 0$  to  $70$  °C,  $V_{CC} = 5$  V  $\pm$  10 %,  $f = 1$  MHz

Parameter	Symbol	Limit Values		Unit
		min.	max.	
Input capacitance ( $A0$ to $A10$ , $\overline{WE}$ )	$C_{11}$	–	75	pF
Input capacitance ( $\overline{RAS0}$ , $\overline{RAS2}$ )	$C_{12}$	–	45	pF
Input capacitance ( $\overline{CAS0}$ - $\overline{CAS3}$ )	$C_{13}$	–	25	pF
I/O capacitance (DQ0-DQ31)	$C_{10}$	–	15	pF

### AC Characteristics <sup>5)6)</sup>

$T_A = 0$  to  $70$  °C,  $V_{CC} = 5$  V  $\pm$  10 %,  $t_T = 5$  ns

Parameter	Symbol	Limit Values				Unit	Note
		-50		-60			
		min.	max.	min.	max.		

#### *common parameters*

Random read or write cycle time	$t_{RC}$	90	–	110	–	ns	
$\overline{RAS}$ precharge time	$t_{RP}$	30	–	40	–	ns	
$\overline{RAS}$ pulse width	$t_{RAS}$	50	10k	60	10k	ns	
$\overline{CAS}$ pulse width	$t_{CAS}$	13	10k	15	10k	ns	
Row address setup time	$t_{ASR}$	0	–	0	–	ns	
Row address hold time	$t_{RAH}$	8	–	10	–	ns	
Column address setup time	$t_{ASC}$	0	–	0	–	ns	
Column address hold time	$t_{CAH}$	10	–	15	–	ns	
$\overline{RAS}$ to $\overline{CAS}$ delay time	$t_{RCD}$	18	37	20	45		
$\overline{RAS}$ to column address delay time	$t_{RAD}$	13	25	15	30	ns	
$\overline{RAS}$ hold time	$t_{RSH}$	13		15	–	ns	
$\overline{CAS}$ hold time	$t_{CSH}$	50		60	–	ns	
$\overline{CAS}$ to $\overline{RAS}$ precharge time	$t_{CRP}$	5	–	5	–	ns	
Transition time (rise and fall)	$t_T$	3	50	3	50	ns	7
Refresh period	$t_{REF}$	–	32	–	32	ms	

#### *Read Cycle*

Access time from $\overline{RAS}$	$t_{RAC}$	–	50	–	60	ns	8, 9
Access time from $\overline{CAS}$	$t_{CAC}$	–	13	–	15	ns	8, 9
Access time from column address	$t_{AA}$	–	25	–	30	ns	8,10
Column address to $\overline{RAS}$ lead time	$t_{RAL}$	25	–	30	–	ns	
Read command setup time	$t_{RCS}$	0	–	0	–	ns	
Read command hold time	$t_{RCH}$	0	–	0	–	ns	11
Read command hold time referenced to $\overline{RAS}$	$t_{RRH}$	0	–	0	–	ns	11
$\overline{CAS}$ to output in low-Z	$t_{CLZ}$	0	–	0	–	ns	8
Output buffer turn-off delay	$t_{OFF}$	0	13	0	15	ns	12

### AC Characteristics (cont'd) <sup>5)6)</sup>

$T_A = 0$  to  $70$  °C,  $V_{CC} = 5$  V  $\pm$  10 %,  $t_T = 5$  ns

Parameter	Symbol	Limit Values				Unit	Note
		-50		-60			
		min.	max.	min.	max.		

#### **Early Write Cycle**

Write command hold time	$t_{WCH}$	8	–	10	–	ns	
Write command pulse width	$t_{WP}$	8	–	10	–	ns	
Write command setup time	$t_{WCS}$	0	–	0	–	ns	13
Write command to $\overline{RAS}$ lead time	$t_{RWL}$	13	–	15	–	ns	
Write command to $\overline{CAS}$ lead time	$t_{CWL}$	13	–	15	–	ns	
Data setup time	$t_{DS}$	0	–	0	–	ns	14
Data hold time	$t_{DH}$	10	–	10	–	ns	14

#### **Fast Page Mode Cycle**

Fast page mode cycle time	$t_{PC}$	35	–	40	–	ns	
$\overline{CAS}$ precharge time	$t_{CP}$	10	–	10	–	ns	
Access time from $\overline{CAS}$ precharge	$t_{CPA}$	–	30	–	35	ns	7
$\overline{RAS}$ pulse width	$t_{RAS}$	50	200k	60	200k	ns	
$\overline{CAS}$ precharge to $\overline{RAS}$ Delay	$t_{RHCP}$	30	–	35	–	ns	

#### **$\overline{CAS}$ -before- $\overline{RAS}$ Refresh Cycle**

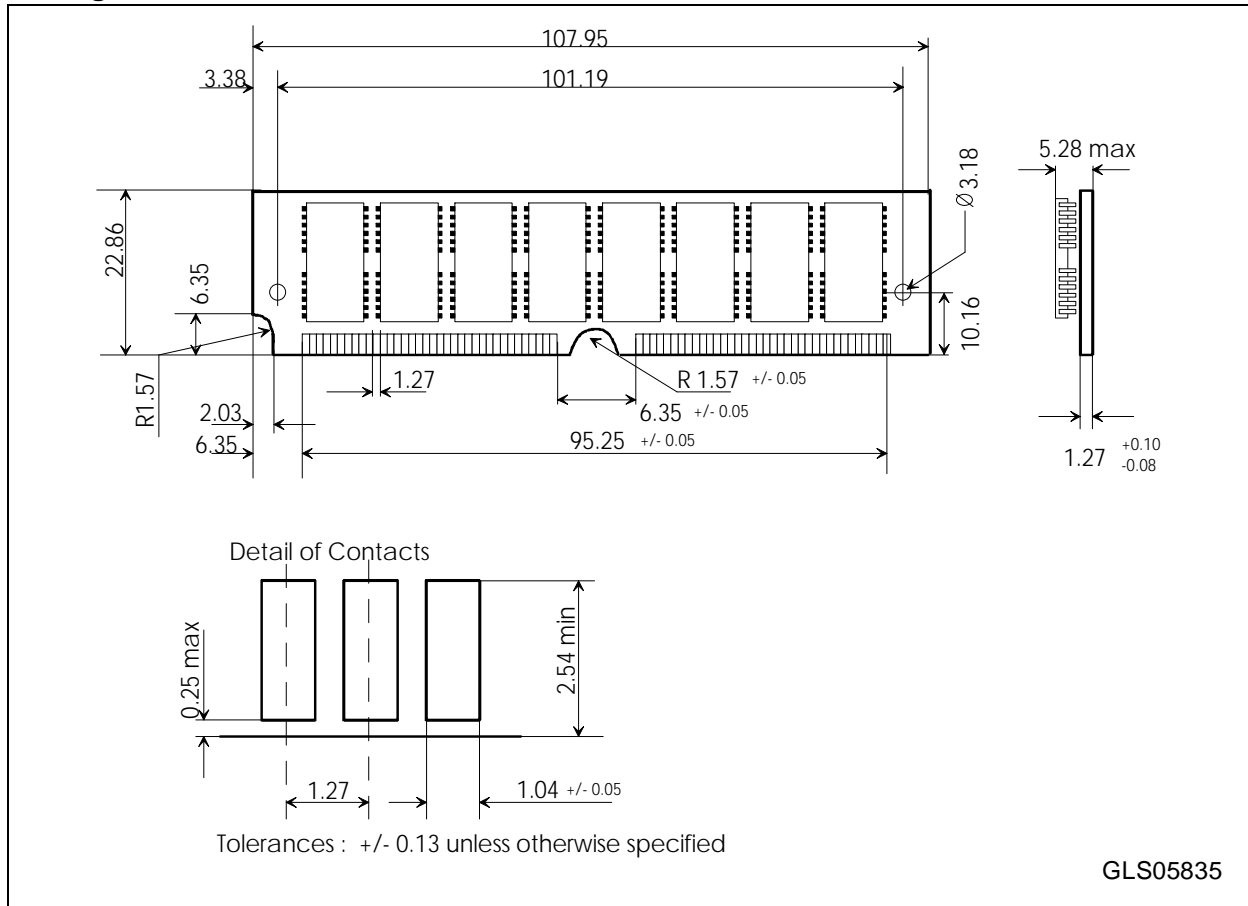
$\overline{CAS}$ setup time	$t_{CSR}$	10	–	10	–	ns	
$\overline{CAS}$ hold time	$t_{CHR}$	10	–	10	–	ns	
$\overline{RAS}$ to $\overline{CAS}$ precharge time	$t_{RPC}$	5	–	5	–	ns	
Write to $\overline{RAS}$ precharge time	$t_{WRP}$	10	–	10	–	ns	
Write hold time referenced to $\overline{RAS}$	$t_{WRH}$	10	–	10	–	ns	



**Notes:**

- 1) All voltages are referenced to VSS.
- 2) ICC1, ICC3, ICC4 and ICC6 depend on cycle rate.
- 3) ICC1 and ICC4 depend on output loading. Specified values are measured with the output open.
- 4) Address can be changed once or less while  $\overline{\text{RAS}} = \text{VIL}$ . In the case of ICC4 it can be changed once or less during a fast page mode cycle (tPC).
- 5) An initial pause of 200  $\mu\text{s}$  is required after power-up followed by 8  $\overline{\text{RAS}}$  cycles of which at least one cycle has to be a refresh cycle, before proper device operation is achieved. In case of using internal refresh counter, a minimum of 8  $\overline{\text{CAS}}$ -before-RAS initialization cycles instead of 8  $\overline{\text{RAS}}$  cycles are required.
- 6) AC measurements assume  $t_T = 5 \text{ ns}$ .
- 7)  $\text{VIH}$  (min.) and  $\text{VIL}$  (max.) are reference levels for measuring timing of input signals. Transition times are also measured between  $\text{VIH}$  and  $\text{VIL}$ .
- 8) Measured with a load equivalent to 2 TTL loads and 100 pF.
- 9) Operation within the tRCD (max.) limit ensures that tRAC (max.) can be met. tRCD (max.) is specified as a reference point only: If tRCD is greater than the specified tRCD (max.) limit, then access time is controlled by tCAC.
- 10) Operation within the tRAD (max.) limit ensures that tRAC (max.) can be met. tRAD (max.) is specified as a reference point only: If tRAD is greater than the specified tRAD (max.) limit, then access time is controlled by tAA.
- 11) Either tRCH or tRRH must be satisfied for a read cycle.
- 12) tOFF (max.) define the time at which the outputs achieve the open-circuit condition and are not referenced to output voltage levels.
- 13) tWCS is not a restrictive operating parameter. This is included in the data sheet as electrical characteristics only. If  $t\text{WCS} > t\text{WCS}(\text{min.})$ , the cycle is an early write cycle and the I/O pin will remain open-circuit (high impedance) through the entire cycle.
- 14) These parameters are referenced to the  $\overline{\text{CAS}}$  leading edge.

**Package Outline**



**Module Package, L-SIM-72-12  
(Single in-Line Memory Module)**