

iC-RMF (MB85RDP16LXC) NONVOLATILE FRAM MEMORY

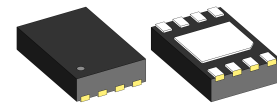
FEATURES

- ◆ Energy efficient interface to iC-PMX (Energy Harvesting multiturn counter/encoder)
- ◆ Runt pulse tolerant counting algorithm
- ◆ R/W access through SPI interface
- ◆ 2048 byte FRAM memory
- ◆ Based on [Fujitsu* MB85RDP16LXC](#)
- ◆ Extended temperature range of -40 °C up to 125 °C (C label = selected process lots)

APPLICATIONS

- ◆ Energy Harvesting multiturn encoder
- ◆ Absolute linear encoder
- ◆ Period counters
- ◆ Gas meters
- ◆ Liquid flow meters

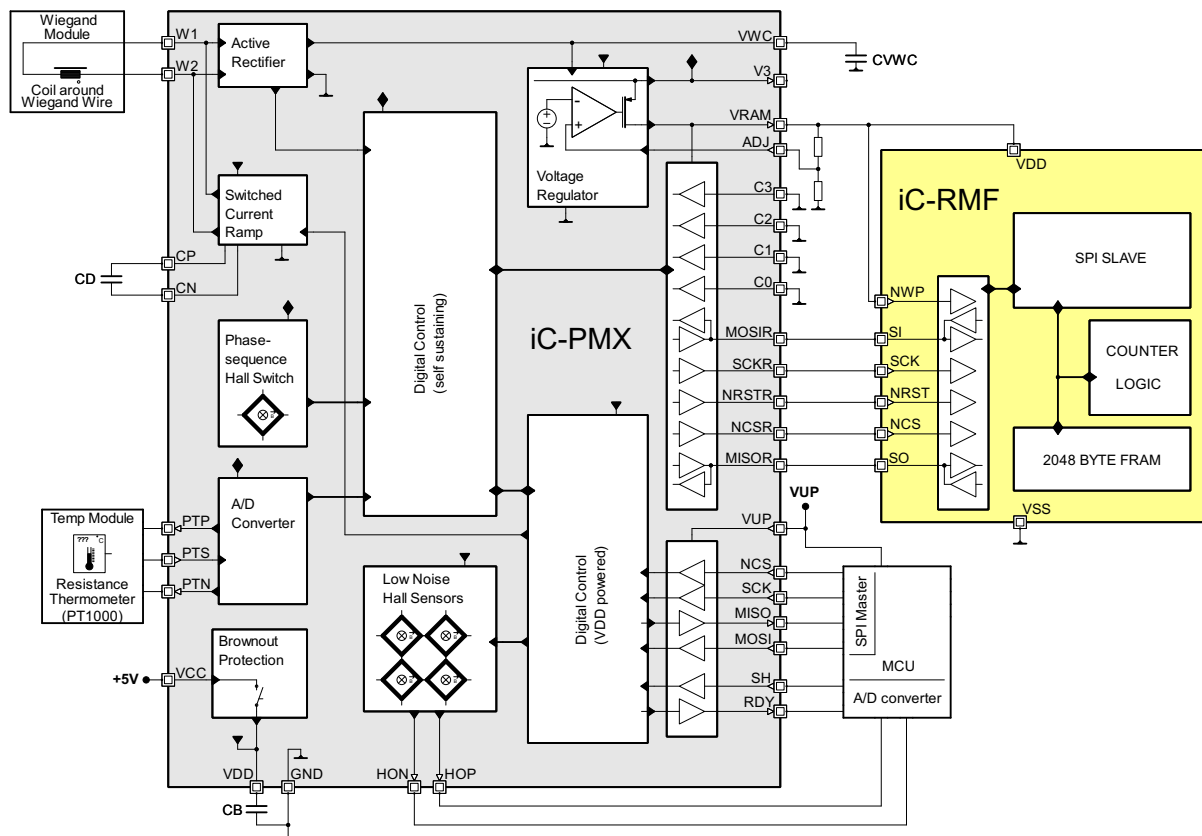
PACKAGES



SON8
3 mm x 2 mm x 0.75 mm
RoHS compliant

*Fujitsu = registered trademark of Fujitsu Semiconductor Limited

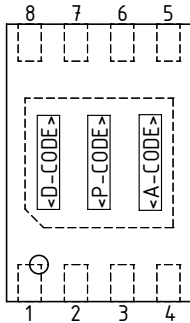
BLOCK DIAGRAM



iC-RMF (MB85RDP16LXC) NONVOLATILE FRAM MEMORY

PACKAGING INFORMATION

PIN CONFIGURATION



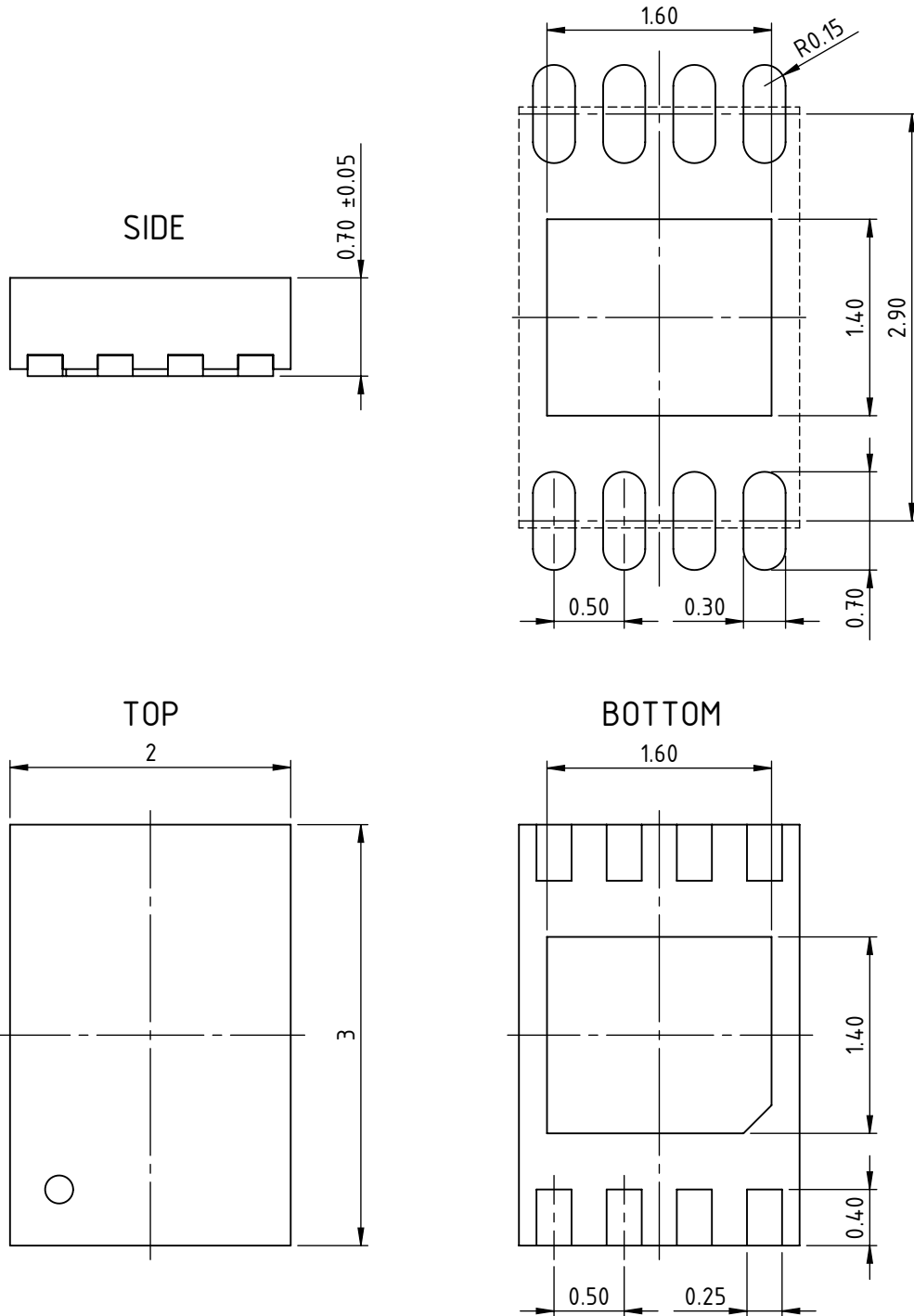
PIN FUNCTIONS

No.	Name	Function
1	CS	Chip Select
2	SO(IO1)	Serial Data Output
3	WP	Write Protect
4	VSS	Ground
5	SI(IO0)	Serial Data Input
6	SCK	Serial Clock
7	RST	Reset
8	VDD	Supply Voltage

IC top marking: <D-CODE> = date code (subject to changes), <P-CODE> = product code, <A-CODE> = assembly code (subject to changes)
P-CODE = P16X and A-CODE = X001 for MB85RDP16LXC
P-CODE = P16XC and A-CODE = X0XX for MB85RDP16LXC

PACKAGE DIMENSIONS

RECOMMENDED PCB-FOOTPRINT



All dimensions given in mm.

iC-RMF (MB85RDP16LXC) NONVOLATILE FRAM MEMORY



Rev A4, Page 4/5

REVISION HISTORY

Rel.	Rel. Date ¹	Chapter	Modification	Page
A4	2017-08-08	All	MB85RDP16LX replaced by MB85RDP16LXC Target Specification removed	1
		REVISION HISTORY	Chapter added	4
		ORDERING INFORMATION	Chapter added	5

Copying – even as an excerpt – is only permitted with iC-Haus' approval in writing and precise reference to source.

The data specified is intended solely for the purpose of product description and shall represent the usual quality of the product. In case the specifications contain obvious mistakes e.g. in writing or calculation, iC-Haus reserves the right to correct the specification and no liability arises insofar that the specification was from a third party view obviously not reliable. There shall be no claims based on defects as to quality in cases of insignificant deviations from the specifications or in case of only minor impairment of usability.

No representations or warranties, either expressed or implied, of merchantability, fitness for a particular purpose or of any other nature are made hereunder with respect to information/specification or the products to which information refers and no guarantee with respect to compliance to the intended use is given. In particular, this also applies to the stated possible applications or areas of applications of the product.

iC-Haus products are not designed for and must not be used in connection with any applications where the failure of such products would reasonably be expected to result in significant personal injury or death (*Safety-Critical Applications*) without iC-Haus' specific written consent. Safety-Critical Applications include, without limitation, life support devices and systems. iC-Haus products are not designed nor intended for use in military or aerospace applications or environments or in automotive applications unless specifically designated for such use by iC-Haus.

iC-Haus conveys no patent, copyright, mask work right or other trade mark right to this product. iC-Haus assumes no liability for any patent and/or other trade mark rights of a third party resulting from processing or handling of the product and/or any other use of the product.

Software and its documentation is provided by iC-Haus GmbH or contributors "AS IS" and is subject to the ZVEI General Conditions for the Supply of Products and Services with iC-Haus amendments and the ZVEI Software clause with iC-Haus amendments (www.ichaus.com/EULA).

¹ Release Date format: YYYY-MM-DD

iC-RMF (MB85RDP16LXC)
NONVOLATILE FRAM MEMORY



Rev A4, Page 5/5

ORDERING INFORMATION

Type	Package	Order Designation
iC-RMF	8-pin SON, 3 mm x 2 mm x 0.75 mm, RoHS compliant	iC-RMF SON8

Please send your purchase orders to our order handling team:

Fax: +49 (0) 61 35 - 92 92 - 692
E-Mail: dispo@ichaus.com

For technical support, information about prices and terms of delivery please contact:

iC-Haus GmbH
Am Kuemmerling 18
D-55294 Bodenheim
GERMANY

Tel.: +49 (0) 61 35 - 92 92 - 0
Fax: +49 (0) 61 35 - 92 92 - 192
Web: <http://www.ichaus.com>
E-Mail: sales@ichaus.com