



3.3V Phase-Lock Loop Clock Driver

General Description

The **ICS2509C** is a high performance, low skew, low jitter clock driver. It uses a phase lock loop (PLL) technology to align, in both phase and frequency, the CLKIN signal with the CLKOUT signal. It is specifically designed for use with synchronous SDRAMs. The **ICS2509C** operates at 3.3V VCC and drives up to nine clock loads.

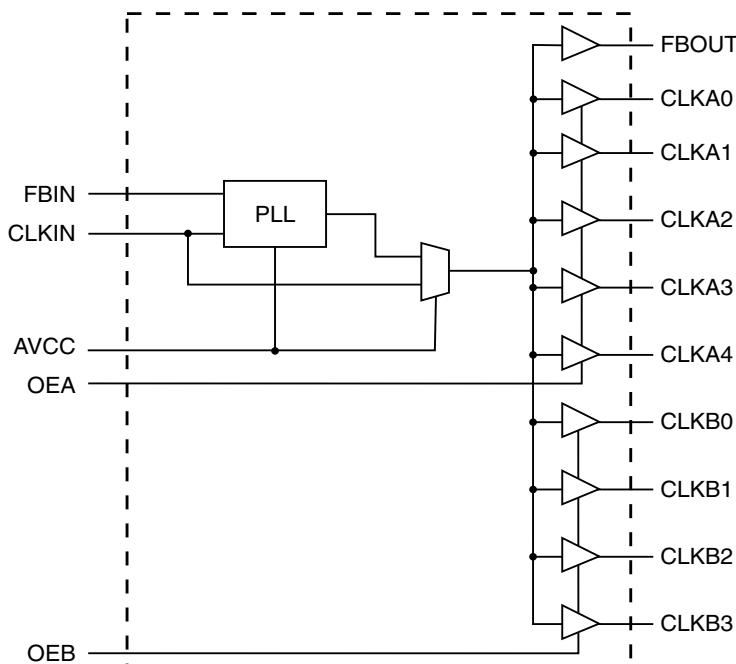
One bank of five outputs and one bank of four outputs provide nine low-skew, low-jitter copies of CLKIN. Output signal duty cycles are adjusted to 50 percent, independent of the duty cycle at CLKIN. Each bank of outputs can be enabled or disabled separately via control (OEA and OEB) inputs. When the OE inputs are high, the outputs align in phase and frequency with CLKIN; when the OE inputs are low, the outputs are disabled to the logic low state.

The **ICS2509C** does not require external RC filter components. The loop filter for the PLL is included on-chip, minimizing component count, board space, and cost. The buffer mode shuts off the PLL and connects the input directly to the output buffer. This buffer mode, the **ICS2509C** can be use as low skew fanout clock buffer device. The **ICS2509C** comes in 24 pin 173mil Thin Shrink Small-Outline package (TSSOP) package.

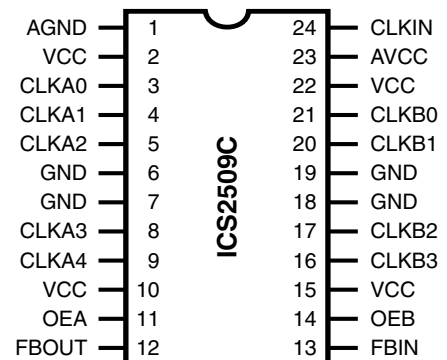
Features

- Meets or exceeds PC133 registered DIMM specification 1.1
- Spread Spectrum Clock Compatible
- Distributes one clock input to one bank of five and one bank of four outputs
- Separate output enable(OEA,OEB) for each output bank
- Operating frequency 25 MHz to 175 Mhz
- External feedback input (FBIN) terminal is used to synchronize the outputs to the clock input
- No external RC network required
- Operates at 3.3V Vcc
- Plastic 24-pin 173mil TSSOP package

Block Diagram



Pin Configuration



24 Pin TSSOP

4.40 mm. Body, 0.65 mm. pitch



Pin Descriptions

PIN NUMBER	PIN NAME	TYPE	DESCRIPTION
1	AGND	PWR	Analog Ground
2, 10, 15	VCC	PWR	Power Supply (3.3V)
3	CLKA0	OUT	Buffered clock output, Bank A
4	CLKA1	OUT	Buffered clock output, Bank A
5	CLKA2	OUT	Buffered clock output, Bank A
6, 7, 18, 19	GND	PWR	Ground
8	CLKA3	OUT	Buffered clock output, Bank A
9	CLKA4	OUT	Buffered clock output, Bank A
11	OEA ¹	IN	Output enable (has internal pull_up). When high, normal operation. When low bank A clock outputs are disabled to a logic low state.
12	FBOUT	OUT	Feedback output
13	FBIN	IN	Feedback input
14	OEB ¹	IN	Output enable (has internal pull_up). When high, normal operation. When low bank B clock outputs are disabled to a logic low state.
16	CLKB3	OUT	Buffered clock output. Bank B
17	CLKB2	OUT	Buffered clock output. Bank B
20	CLKB1	OUT	Buffered clock output. Bank B
21	CLKB0	OUT	Buffered clock output. Bank B
22	VCC	PWR	Power Supply (3.3V) digital supply.
23	AVCC	IN	Analog power supply (3.3V). When input is ground PLL is off and bypassed.
24	CLKIN	IN	Clock input

Note:

1. Weak pull-ups on these inputs

Functionality

INPUTS			OUTPUTS				PLL Shutdown
OEA	OEB	AVCC	CLKA (0:4)	CLKB (0:3)	FBOUT	Source	
0	0	3.33	0	0	Driven	PLL	N
0	1	3.33	0	Driven	Driven	PLL	N
1	0	3.33	Driven	0	Driven	PLL	N
1	1	3.33	Driven	Driven	Driven	PLL	N
Buffer Mode							
0	0	0	0	0	Driven	CLKIN	Y
0	1	0	0	Driven	Driven	CLKIN	Y
1	0	0	Driven	0	Driven	CLKIN	Y
1	1	0	Driven	Driven	Driven	CLKIN	Y

Test mode:

When AVCC is 0, shuts off the PLL and connects the input directly to the output buffers



Absolute Maximum Ratings

Supply Voltage (AVCC)	AVCC < (V _{cc} + 0.7V)
Supply Voltage (VCC)	4.3 V
Logic Inputs	GND -0.5 V to V _{cc} +0.5 V
Ambient Operating Temperature	0°C to +70°C
Storage Temperature	-65°C to +150°C

Stresses above those listed under *Absolute Maximum Ratings* may cause permanent damage to the device. These ratings are stress specifications only and functional operation of the device at these or any other conditions above those listed in the operational sections of the specifications is not implied. Exposure to absolute maximum rating conditions for extended periods may affect product reliability.

Electrical Characteristics - OUTPUT

T_A = 0 - 70C; V_{DD} = V_{DDL} = 3.3 V +/-10%; C_L = 20 - 30 pF; R_L = 470 Ohms (unless otherwise stated)

PARAMETER	SYMBOL	CONDITIONS	MIN	TYP	MAX	UNITS
Output Impedance	R _{DSP}	V _O = V _{DD} *(0.5)		36		Ω
Output Impedance	R _{DSN}	V _O = V _{DD} *(0.5)		32		Ω
Output High Voltage	V _{OH}	I _{OH} = -8 mA	2.4	2.9		V
Output Low Voltage	V _{OL}	I _{OL} = 8 mA		0.25	0.4	V
Output High Current	I _{OH}	V _{OH} = 2.4 V		-26	-13.6	mA
		V _{OH} = 2.0 V		-37	-22	
Output Low Current	I _{OL}	V _{OL} = 0.8 V	19	25		mA
		V _{OL} = 0.55 V	13	17		
Rise Time ¹	T _r	V _{OL} = 0.8 V, V _{OH} = 2.0 V	0.5	1.4	2.1	ns
Fall Time ¹	T _f	V _{OH} = 2.0 V, V _{OL} = 0.8 V	0.5	1.5	2.7	ns
Duty Cycle ¹	D _t	V _T = 1.5 V; C _L =30 pF	45	50	55	%
Cycle to Cycle jitter ¹	T _{cyc-cyc}	at 66-100 MHz ; loaded outputs		52	100	ps
		at 133 MHz ; loaded outputs		39	75	
Absolute Jitter ¹	T _{jabs}	10000 cycles; C _L = 30 pF		57		ps
Skew ¹	T _{sk}	V _T = 1.5 V (Window) Output to Output		80	150	ps
Phase error ¹	T _{pe}	V _T = V _{dd} /2; CLKIN-FBIN	-150	40	150	ps
Phase error Jitter ¹	T _{pe} ³	V _T = V _{dd} /2; CLKIN-FBIN; Delay Jitter	-50	35	50	ps
Delay Input-Output ¹	D _{R1}	V _T = 1.5 V; PLL_EN = 0		3.3	3.7	ns

¹ Guaranteed by design, not 100% tested in production.



Electrical Characteristics - Input & Supply

$T_A = 0 - 70^\circ\text{C}$; Supply Voltage $V_{DD} = 3.3\text{ V} \pm 10\%$ (unless otherwise stated)

PARAMETER	SYMBOL	CONDITIONS	MIN	TYP	MAX	UNITS
Input High Voltage	V_{IH}		2		$V_{DD}+0.3$	V
Input Low Voltage	V_{IL}		$V_{SS}-0.3$		0.8	V
Input High Current	I_{IH}	$V_{IN} = V_{DD}$		0.1	100	μA
Input Low Current	I_{IL}	$V_{IN} = 0\text{ V}$;		19	50	μA
Operating current	I_{DD1}	$C_L = 0\text{ pF}$; $F_{IN} @ 66\text{M}$		140	170	mA
Input Capacitance	C_{IN}^1	Logic Inputs		4		pF
Output Capacitance	C_O^1	Logic Outputs		8		pF

¹Guaranteed by design, not 100% tested in production.

Timing requirements over recommended ranges of supply voltage and operating free-air temperature

Symbol	Parameter	Test Conditions	Min.	Max.	Unit
Fclk	Input clock frequency		25	175	MHz
	Input clock frequency duty cycle		40	60	%
	Stabilization time	After power up		1	ms

Note: Time required for the PLL circuit to obtain phase lock of its feedback signal to its reference

In order for phase lock to be obtained, a fixed-frequency, fixed-phase reference signal must be

Until phase lock is obtained, the specifications for parameters given in the switching characteristics table are not



PARAMETER MEASUREMENT INFORMATION

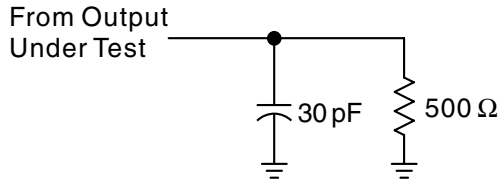


Figure 1. Load Circuit for Outputs

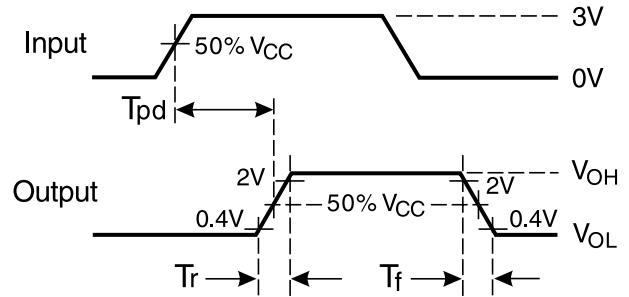


Figure 2. Voltage Waveforms Propagation Delay Times

Notes:

1. C_L includes probe and jig capacitance.
2. All input pulses are supplied by generators having the following characteristics: $PRR \leq 133\text{MHz}$, $Z_O = 50 \Omega$, $T_r \leq 1.2\text{ns}$, $T_f \leq 1.2\text{ns}$.
3. The outputs are measured one at a time with one transition per measurement.

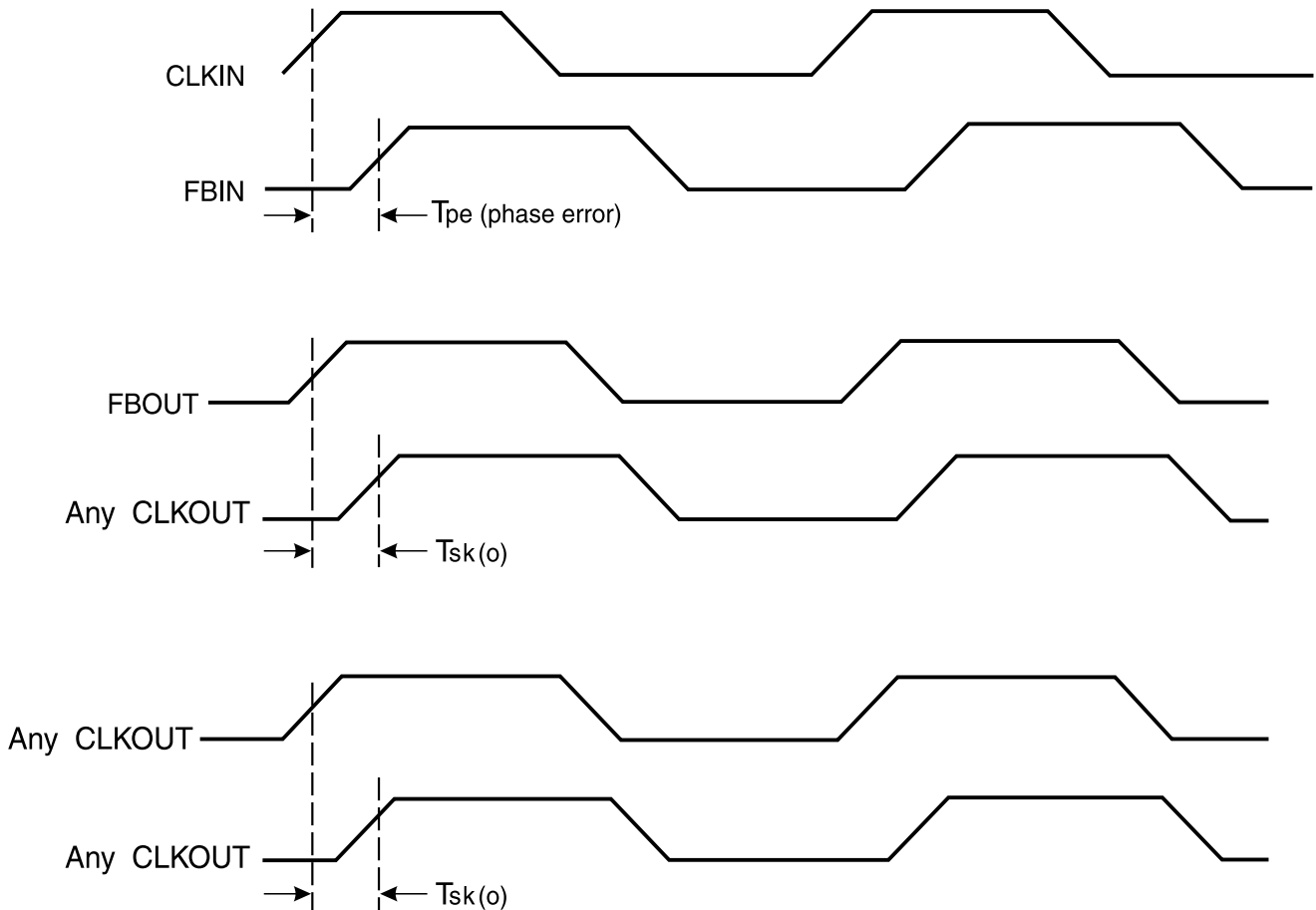


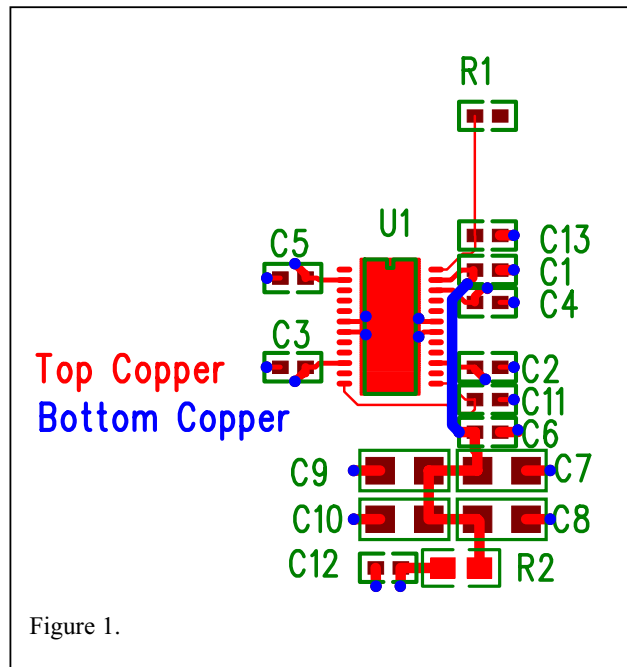
Figure 3. Phase Error and Skew Calculations



General Layout Precautions:

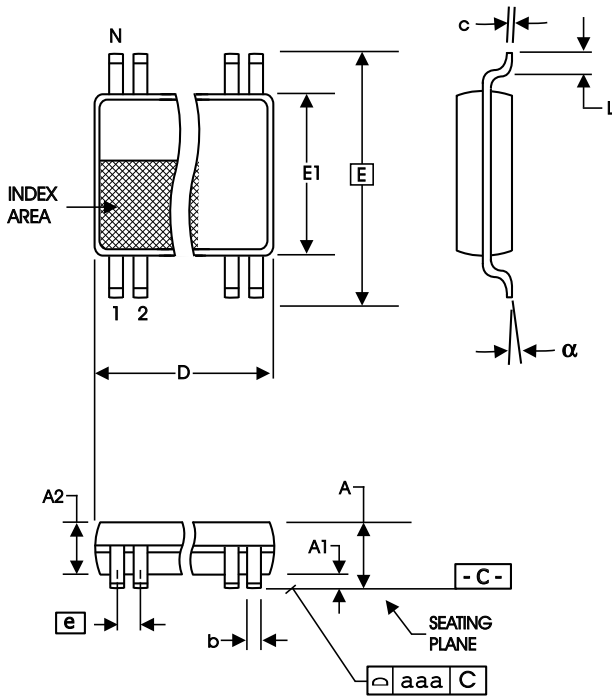
An ICS2509C is used as an example. It is similar to the ICS2510C. The same rules and methods apply.

- 1) Use copper flooded ground on the top signal layer under the clock buffer. The area under U1 in figure 1 on the right is an example.
- 2) Use power vias for power and ground. Vias 20 mil or larger in diameter have lower high frequency impedance. Vias for signals may be minimum drill size.
- 3) Make all power and ground traces are as wide as the via pad for lower inductance.
- 4) VAA for pin 23 has a low pass RC filter to decouple the digital and analog supplies. C9-11 may be replaced with a single low ESR (0.8 ohm or less) device with the same total capacitance.
- 5) Notice that ground vias are never shared.
- 6) All VCC pins have a decoupling capacitor. Power is always routed from the plane connection via to the capacitor pad to the VCC pin on the clock buffer.
- 7) Component R1 is located at the clock source.



Component Values:

C1= As necessary for delay adjust
 C[7:2]=.01uF
 C8,C13=0.1uF
 C[11:9]=4.7Uf
 R1=10 ohm. Locate at driver
 R2=10 ohm.



SYMBOL	In Millimeters COMMON DIMENSIONS		In Inches COMMON DIMENSIONS	
	MIN	MAX	MIN	MAX
A	--	1.20	--	.047
A1	0.05	0.15	.002	.006
A2	0.80	1.05	.032	.041
b	0.19	0.30	.007	.012
c	0.09	0.20	.0035	.008
D	SEE VARIATIONS		SEE VARIATIONS	
E	6.40 BASIC		0.252 BASIC	
E1	4.30	4.50	.169	.177
e	0.65 BASIC		0.0256 BASIC	
L	0.45	0.75	.018	.030
N	SEE VARIATIONS		SEE VARIATIONS	
α	0°	8°	0°	8°
aaa	--	0.10	--	.004

VARIATIONS

N	D mm.		D (inch)	
	MIN	MAX	MIN	MAX
24	7.70	7.90	.303	.311

Reference Doc.: JEDEC Publication 95, MO-153
10-0035

4.40 mm. Body, 0.65 mm. pitch TSSOP
(173 mil) (0.0256 Inch)

Ordering Information

ICS2509C_yG-T

Example:

ICS XXXX y G - PPP - T

