



### Description

The ICS345 field programmable clock synthesizer generates up to nine high-quality, high-frequency clock outputs including multiple reference clocks from a low-frequency crystal or clock input. It is designed to replace crystals and crystal oscillators in most electronic systems.

Using ICS' VersaClock™ software to configure PLLs and outputs, the ICS345 contains a One-Time Programmable (OTP) ROM to allow field programmability. Programming features include eight selectable configuration registers, up to two sets of four low-skew outputs, and optional Spread Spectrum outputs.

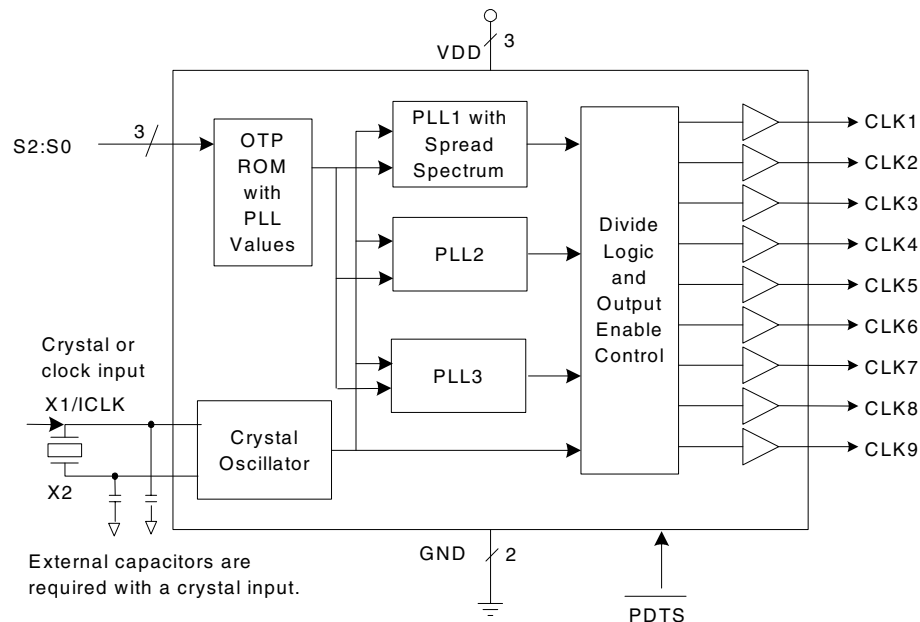
Using Phase-Locked Loop (PLL) techniques, the device runs from a standard fundamental mode, inexpensive crystal, or clock. It can replace multiple crystals and oscillators, saving board space and cost.

The ICS345 is also available in factory programmed custom versions for high-volume applications.

### Features

- Packaged as 20-pin SSOP (QSOP)
- Spread spectrum capability
- Eight addressable registers
- Replaces multiple crystals and oscillators
- Output frequencies up to 200 MHz at 3.3 V
- Input crystal frequency of 5 to 27 MHz
- Input clock frequency of 2 to 50 MHz
- Up to nine reference outputs
- Up to two sets of four low-skew outputs
- Operating voltages of 3.3 V
- Advanced, low-power CMOS process
- For one output clock, use the ICS341. For two output clocks, see the ICS342. For three output clocks, see the ICS343. For more than three outputs, see the ICS345 or ICS348.
- Available in Pb (lead) free packaging

### Block Diagram





## Pin Assignment

X1/CLK	<input type="checkbox"/>	1	20	<input type="checkbox"/>	X2
S0	<input type="checkbox"/>	2	19	<input type="checkbox"/>	VDD
S1	<input type="checkbox"/>	3	18	<input type="checkbox"/>	$\overline{\text{PDTS}}$
CLK9	<input type="checkbox"/>	4	17	<input type="checkbox"/>	S2
VDD	<input type="checkbox"/>	5	16	<input type="checkbox"/>	VDD
GND	<input type="checkbox"/>	6	15	<input type="checkbox"/>	GND
CLK1	<input type="checkbox"/>	7	14	<input type="checkbox"/>	CLK5
CLK2	<input type="checkbox"/>	8	13	<input type="checkbox"/>	CLK6
CLK3	<input type="checkbox"/>	9	12	<input type="checkbox"/>	CLK7
CLK4	<input type="checkbox"/>	10	11	<input type="checkbox"/>	CLK8

20-pin (150 mil) SSOP (QSOP)

## Pin Descriptions

Pin Number	Pin Name	Pin Type	Pin Description
1	X1/CLK	XI	Crystal input. Connect this pin to a crystal or external input clock.
2	S0	Input	Select pin 0. Internal pull-up resistor.
3	S1	Input	Select pin 1. Internal pull-up resistor.
4	CLK9	Output	Output clock 9. Weak internal pull-down when tri-state.
5	VDD	Power	Connect to +3.3 V.
6	GND	Power	Connect to ground.
7	CLK1	Output	Output clock 1. Weak internal pull-down when tri-state.
8	CLK2	Output	Output clock 2. Weak internal pull-down when tri-state.
9	CLK3	Output	Output clock 3. Weak internal pull-down when tri-state.
10	CLK4	Output	Output clock 4. Weak internal pull-down when tri-state.
11	CLK8	Output	Output clock 8. Weak internal pull-down when tri-state.
12	CLK7	Output	Output clock 7. Weak internal pull-down when tri-state.
13	CLK6	Output	Output clock 6. Weak internal pull-down when tri-state.
14	CLK5	Output	Output clock 5. Weak internal pull-down when tri-state.
15	GND	Power	Connect to ground.
16	VDD	Power	Connect to +3.3 V.
17	S2	Input	Select pin 2. Internal pull-up resistor.
18	$\overline{\text{PDTS}}$	Input	Power-down tri-state. Powers down entire chip and tri-states clock outputs when low. Internal pull-up resistor.
19	VDD	Power	Connect to +3.3 V.
20	X2	XO	Crystal Output. Connect this pin to a crystal. Float for clock input.



## External Components

### Series Termination Resistor

Clock output traces over one inch should use series termination. To series terminate a 50Ω trace (a commonly used trace impedance), place a 33Ω resistor in series with the clock line, as close to the clock output pin as possible. The nominal impedance of the clock output is 20Ω.

### Decoupling Capacitors

As with any high-performance mixed-signal IC, the ICS345 must be isolated from system power supply noise to perform optimally.

Decoupling capacitors of 0.01μF must be connected between each VDD and the PCB ground plane.

### Crystal Load Capacitors

The device crystal connections should include pads for small capacitors from X1 to ground and from X2 to ground. These capacitors are used to adjust the stray capacitance of the board to match the nominally required crystal load capacitance. Because load capacitance can only be increased in this trimming process, it is important to keep stray capacitance to a minimum by using very short PCB traces (and no vias) between the crystal and device. Crystal capacitors must be connected from each of the pins X1 and X2 to ground.

The value (in pF) of these crystal caps should equal  $(C_L - 6 \text{ pF}) \cdot 2$ . In this equation,  $C_L$  = crystal load capacitance in pF. Example: For a crystal with a 16 pF load capacitance, each crystal capacitor would be 20 pF  $[(16 - 6) \times 2] = 20$ .

### PCB Layout Recommendations

For optimum device performance and lowest output phase noise, the following guidelines should be observed.

- 1) Each 0.01μF decoupling capacitor should be mounted on the component side of the board as close to the VDD pin as possible. No vias should be used between decoupling capacitor and VDD pin. The PCB trace to VDD pin should be kept as short as possible, as should the PCB trace to the ground via.
- 2) The external crystal should be mounted just next to the device with short traces. The X1 and X2 traces should not be routed next to each other with minimum

spaces, instead they should be separated and away from other traces.

- 3) To minimize EMI, the 33Ω series termination resistor (if needed) should be placed close to the clock output.
- 4) An optimum layout is one with all components on the same side of the board, minimizing vias through other signal layers.

## ICS345 Configuration Capabilities

The architecture of the ICS345 allows the user to easily configure the device to a wide range of output frequencies, for a given input reference frequency.

The frequency multiplier PLL provides a high degree of precision. The M/N values (the multiplier/divide values available to generate the target VCO frequency) can be set within the range of  $M = 1$  to 2048 and  $N = 1$  to 1024.

The ICS345 also provides separate output divide values, from 2 through 20, to allow the two output clock banks to support widely differing frequency values from the same PLL.

Each output frequency can be represented as:

$$\text{OutputFreq} = \frac{\text{REFFreq}}{\text{OutputDivide}} \cdot \frac{M}{N}$$

## ICS VersaClock Software

ICS applies years of PLL optimization experience into a user friendly software that accepts the user's target reference clock and output frequencies and generates the lowest jitter, lowest power configuration, with only a press of a button. The user does not need to have prior PLL experience or determine the optimal VCO frequency to support multiple output frequencies.

VersaClock software quickly evaluates accessible VCO frequencies with available output divide values and provides an easy to understand, bar code rating for the target output frequencies. The user may evaluate output accuracy, performance trade-off scenarios in seconds.

## Spread Spectrum Modulation

The ICS345 utilizes frequency modulation (FM) to distribute energy over a range of frequencies. By modulating the output clock frequencies, the device effectively lowers energy across a broader range of



frequencies; thus, lowering a system's electromagnetic interference (EMI). The modulation rate is the time from transitioning from a minimum frequency to a maximum frequency and then back to the minimum.

Spread Spectrum Modulation can be applied as either "center spread" or "down spread". During center spread modulation, the deviation from the target frequency is equal in the positive and negative directions. The effective average frequency is equal to the target frequency. In applications where the clock is driving a component with a maximum frequency rating, down spread should be applied. In this case, the maximum frequency, including modulation, is the target frequency. The effective average frequency is less than the target frequency.

The ICS345 operates in both center spread and down spread modes. For center spread, the frequency can

be modulated between +/- 0.125% to +/-2.0%. For down spread, the frequency can be modulated between -0.25% to -4.0%.

Both output frequency banks will utilize identical spread spectrum percentage deviations and modulation rates, if a common VCO frequency can be identified.

### Spread Spectrum Modulation Rate

The spread spectrum modulation frequency applied to the output clock frequency may occur at a variety of rates. For applications requiring the driving of "down-circuit" PLLs, Zero Delay Buffers, or those adhering to PCI standards, the spread spectrum modulation rate should be set to 30-33 kHz. For other applications, a 120 kHz modulation option is available.

## Absolute Maximum Ratings

Stresses above the ratings listed below can cause permanent damage to the ICS345. These ratings, which are standard values for ICS commercially rated parts, are stress ratings only. Functional operation of the device at these or any other conditions above those indicated in the operational sections of the specifications is not implied. Exposure to absolute maximum rating conditions for extended periods can affect product reliability. Electrical parameters are guaranteed only over the recommended operating temperature range.

Parameter	Condition	Min.	Typ.	Max.	Units
Supply Voltage, VDD	Referenced to GND			7	V
Inputs	Referenced to GND	-0.5		VDD+0.5	V
Clock Outputs	Referenced to GND	-0.5		VDD+0.5	V
Storage Temperature		-65		150	°C
Soldering Temperature	Max 10 seconds			260	°C
Junction Temperature				125	°C



## Recommended Operation Conditions

Parameter	Min.	Typ.	Max.	Units
Ambient Operating Temperature (ICS345RP)	0		+70	°C
Ambient Operating Temperature (ICS345RIP)	-40		+85	°C
Power Supply Voltage (measured in respect to GND)	+3.15	+3.3	+3.45	V
Power Supply Ramp Time			4	ms

## DC Electrical Characteristics

Unless stated otherwise, **VDD = 3.3V ±5%**, Ambient Temperature -40 to +85°C

Parameter	Symbol	Conditions	Min.	Typ.	Max.	Units
Operating Voltage	VDD		3.15		3.45	V
Operating Supply Current Input High Voltage	IDD	Configuration Dependent - See VersaClock™ Estimates				mA
		Nine 33.3333 MHz outs, PDT $\bar{S}$ = 1, no load, Note 1		23		mA
		PDT $\bar{S}$ = 0, no load, Note 1		20		μA
Input High Voltage	V <sub>IH</sub>	S2:S0	2			V
Input Low Voltage	V <sub>IL</sub>	S2:S0			0.4	V
Input High Voltage, $\overline{\text{PDT}}\bar{S}$	V <sub>IH</sub>		VDD-0.5			V
Input Low Voltage, $\overline{\text{PDT}}\bar{S}$	V <sub>IL</sub>				0.4	V
Input High Voltage	V <sub>IH</sub>	ICLK	VDD/2+1			V
Input Low Voltage	V <sub>IL</sub>	ICLK			VDD/2-1	V
Output High Voltage (CMOS High)	V <sub>OH</sub>	I <sub>OH</sub> = -4 mA	VDD-0.4			V
Output High Voltage	V <sub>OH</sub>	I <sub>OH</sub> = -12 mA	2.4			V
Output Low Voltage	V <sub>OL</sub>	I <sub>OL</sub> = 12 mA			0.4	V
Short Circuit Current	I <sub>OS</sub>			±70		mA
Nominal Output Impedance	Z <sub>O</sub>			20		Ω
Internal pull-up resistor	R <sub>PUS</sub>	S2:S0, $\overline{\text{PDT}}\bar{S}$		250		kΩ
Internal pull-down resistor	R <sub>PD</sub>	CLK outputs		525		kΩ
Input Capacitance	C <sub>IN</sub>	Inputs		4		pF

Note 1: Example with 25 MHz crystal input with nine outputs of 33.3̄ MHz, no load, and VDD = 3.3 V.



## AC Electrical Characteristics

Unless stated otherwise,  $V_{DD} = 3.3V \pm 5\%$ , Ambient Temperature  $-40$  to  $+85^\circ C$

Parameter	Symbol	Conditions	Min.	Typ.	Max.	Units
Input Frequency	$F_{IN}$	Fundamental crystal	5		27	MHz
		Input clock	2		50	MHz
Output Frequency		$V_{DD}=3.3 V$	0.25		200	MHz
Output Rise Time	$t_{OR}$	20% to 80%, Note 1		1		ns
Output Fall Time	$t_{OF}$	80% to 20%, Note 1		1		ns
Duty Cycle		Note 2	40	49-51	60	%
Power-up time		PLL lock-time from power-up, Note 3		4	10	ms
		$\overline{PDT\overline{S}}$ goes high until stable CLK output, Spread Spectrum Off, Note 3		0.2	2	ms
		$\overline{PDT\overline{S}}$ goes high until stable CLK output, Spread Spectrum On, Note 3		4	7	ms
One Sigma Clock Period Jitter		Configuration Dependent		50		ps
Maximum Absolute Jitter	$t_{ja}$	Deviation from Mean. Configuration Dependent		$\pm 200$		ps
Pin-to-Pin Skew		Low Skew Outputs	-250		250	ps

Note 1: Measured with 15pF load

Note 2: Duty Cycle is configuration dependent. Most configurations are min 45% / max 55%

Note 3: ICS test mode output occurs for first 170 clock cycles on CLK7 for each PLL powered up.  $\overline{PDT\overline{S}}$  transition high on select address change.

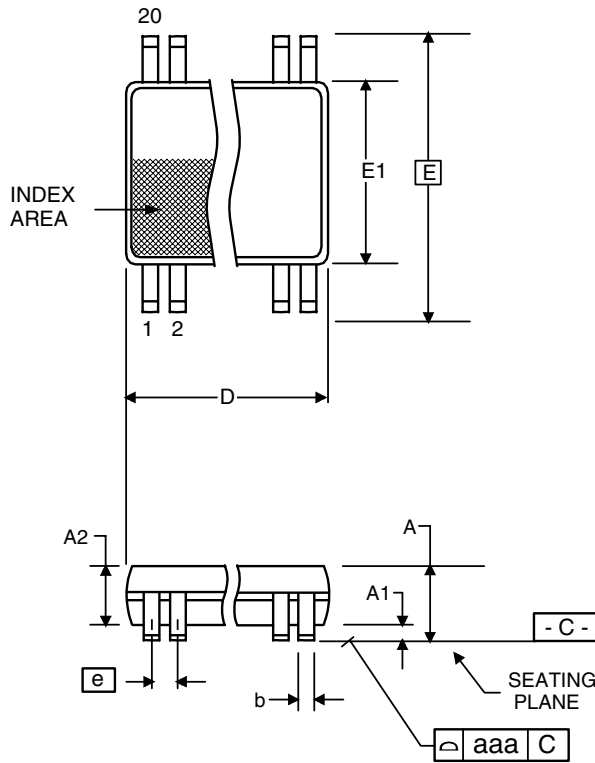
## Thermal Characteristics

Parameter	Symbol	Conditions	Min.	Typ.	Max.	Units
Thermal Resistance Junction to Ambient	$\theta_{JA}$	Still air		135		$^\circ C/W$
	$\theta_{JA}$	1 m/s air flow		93		$^\circ C/W$
	$\theta_{JA}$	3 m/s air flow		78		$^\circ C/W$
Thermal Resistance Junction to Case	$\theta_{JC}$			60		$^\circ C/W$



## Package Outline and Package Dimensions (20-pin SSOP, 150 Mil. Wide Body)

Package dimensions are kept current with JEDEC Publication No. 95



Symbol	Millimeters		Inches	
	Min	Max	Min	Max
A	1.35	1.75	0.053	0.069
A1	0.10	0.25	0.004	0.010
A2	--	1.50	--	0.059
b	0.20	0.30	0.008	0.012
c	0.18	0.25	0.007	0.010
D	8.55	8.75	0.337	0.344
E	5.80	6.20	0.228	0.244
E1	3.80	4.00	0.150	0.157
e	.635 Basic		.025 Basic	
L	0.40	1.27	0.016	0.050
α	0°	8°	0°	8°
aaa	--	0.10	--	0.004

## Ordering Information

Part / Order Number	Marking	Shipping packaging	Package	Temperature
ICS345RP	ICS345RP	Tubes	20-pin SSOP	0 to +70°C
ICS345RIP	ICS345RIP	Tubes	20-pin SSOP	-40 to +85°C
ICS345RLF	ICS345RLF	Tubes	20-pin SSOP	0 to +70°C

“LF” denotes Pb (lead) free package.

While the information presented herein has been checked for both accuracy and reliability, Integrated Circuit Systems (ICS) assumes no responsibility for either its use or for the infringement of any patents or other rights of third parties, which would result from its use. No other circuits, patents, or licenses are implied. This product is intended for use in normal commercial applications. Any other applications such as those requiring extended temperature range, high reliability, or other extraordinary environmental requirements are not recommended without additional processing by ICS. ICS reserves the right to change any circuitry or specifications without notice. ICS does not authorize or warrant any ICS product for use in life support devices or critical medical instruments.