



ICS552-01A

Crystal Oscillator & Multiplier with 8 Low Skew Outputs

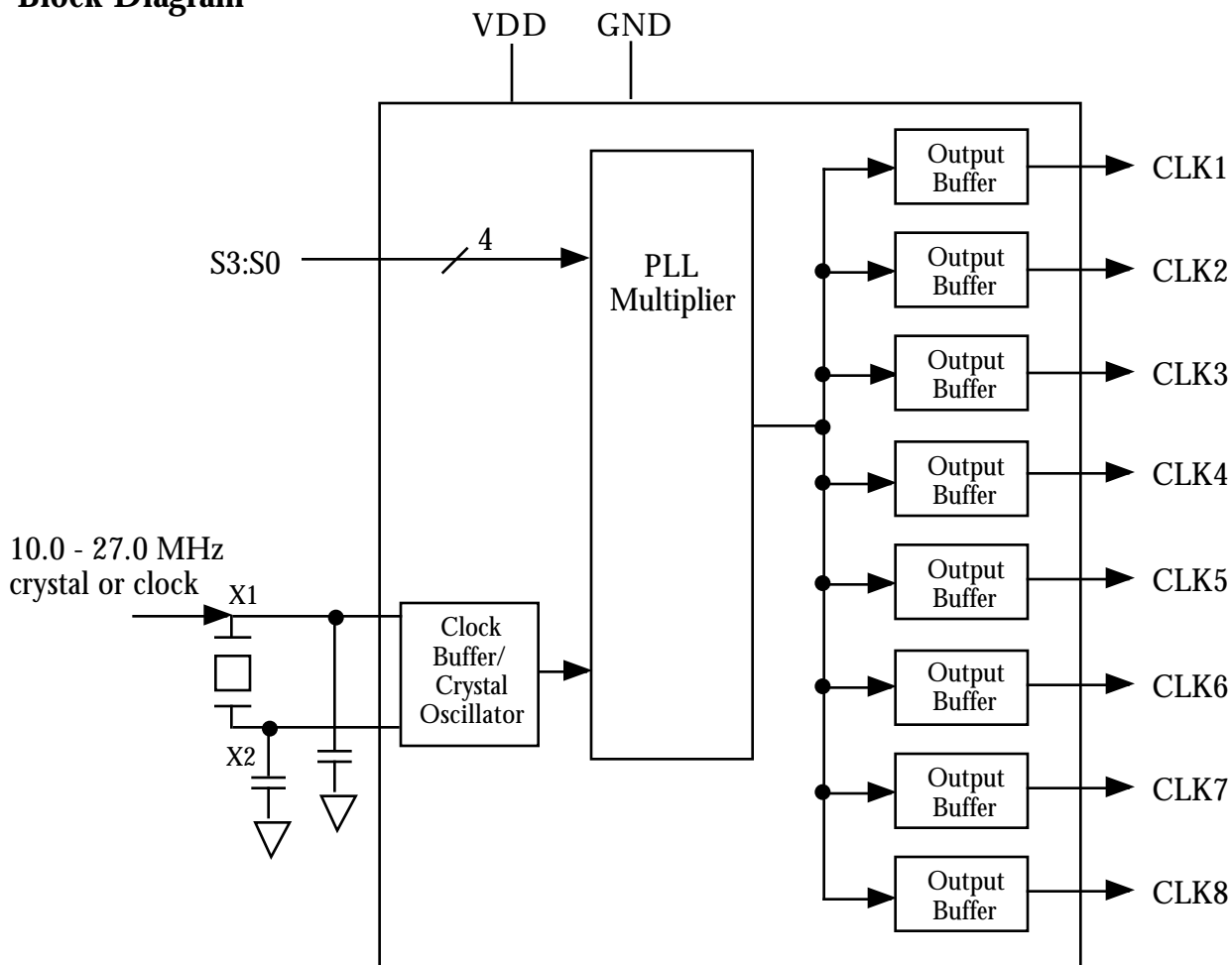
Description

The ICS552-01A produces 8 low skew copies of a multiple of the input when a clock or fundamental, parallel-mode crystal is connected to it. Unlike other clock drivers, it does not require a separate oscillator for the input. Using a phase-locked loop (PLL) to multiply the input frequency, it is ideal for generating and distributing multiple high frequency clocks.

Features

- Packaged in 20 pin SSOP (QSOP)
- Input frequency of 10.0 - 27.0 MHz
- Contains on-chip multiplier with selections of x1, x1.33, x2, x2.66, x3, x3.33, x4, x4.66, x5, and x6
- Provides 8 low skew outputs (<250 ps)
- Output clock duty cycle of 40/60 at 3.3 V
- Operating voltages of 3.0 V to 5.5 V
- Industrial temperature available
- Power Down and Tri state modes

Block Diagram

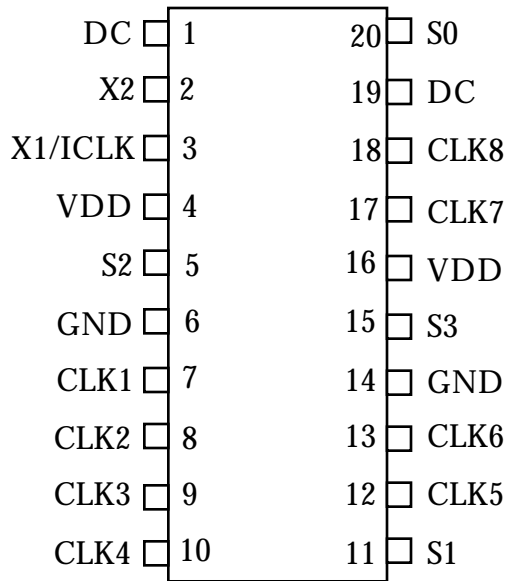




ICS552-01A

Crystal Oscillator & Multiplier with 8 Low Skew Outputs

Pin Assignment



20 pin SSOP (QSOP)

Multiplier Select Table

S3	S2	S1	S0	Multiplier
0	0	0	0	Power Down
0	0	0	1	x1
0	0	1	0	x1.333
0	0	1	1	x2
0	1	0	0	x2.666
0	1	0	1	x3
0	1	1	0	x3.333
0	1	1	1	x4
1	0	0	0	x5
1	0	0	1	x4.66
1	0	1	0	x6
1	1	0	1	Tri state All

0 = connect directly to ground.

1 = connect directly to VDD.

All clocks stop low in Power Down state.

All clocks outputs are high impedance in 1101 mode.

Pin Descriptions

Pin #	Name	Type	Description
1	DC	-	Don't connect.
2	X2	XO	Crystal connection. Connect to a 10 - 27 MHz fundamental mode crystal.
3	X1/ICLK	XI	Crystal connection. Connect to a 10 - 27 MHz fundamental mode crystal, or clock.
4	VDD	P	Connect to +3.3 V or +5.0 V. Decouple with pin 6.
5	S2	I	Multiplier Select Pin 2 per table above.
6	GND	P	Connect to ground.
7	CLK1	O	Clock Output 1.
8	CLK2	O	Clock Output 2.
9	CLK3	O	Clock Output 3.
10	CLK4	O	Clock Output 4.
11	S1	I	Multiplier Select Pin 1 per table above.
12	CLK5	O	Clock Output 5.
13	CLK6	O	Clock Output 6.
14	GND	P	Connect to ground.
15	S3	I	Multiplier Select Pin 3 per table above.
16	VDD	P	Connect to +3.3 V or +5.0 V. Decouple with pin 14.
17	CLK7	O	Clock Output 7.
18	CLK8	O	Clock Output 8.
19	DC	-	Don't connect.
20	S0	I	Multiplier Select Pin 0 per table above.

Key: I = Input; O = output; P = power supply connection, XI, XO = crystal connections



ICS552-01A

Crystal Oscillator & Multiplier with 8 Low Skew Outputs

Electrical Specifications

Parameter	Conditions	Minimum	Typical	Maximum	Units
ABSOLUTE MAXIMUM RATINGS (note 1)					
Supply voltage, VDD	Referenced to GND			7	V
Inputs and Clock Outputs	Referenced to GND	-0.5		VDD+0.5	V
Ambient Operating Temperature	Commercial	0		70	°C
	Industrial	-40		85	°C
Soldering Temperature	Max of 10 seconds			260	°C
Storage temperature		-65		150	°C
DC CHARACTERISTICS (VDD = 3.3 V or 5 V unless noted)					
Operating Voltage, VDD		3.0		5.5	V
Input High Voltage, VIH	ICLK	(VDD/2)+1	VDD/2		V
Input Low Voltage, VIL	ICLK		VDD/2	(VDD/2)-1	V
Input High Voltage, VIH	S3:S0	2			V
Input Low Voltage, VIL	S3:S0			0.8	V
Output High Voltage, VOH	VDD=3.3V, IOH=-8mA	2.4			V
Output Low Voltage, VOL	VDD=3.3V, IOL=8mA			0.4	V
Output High Voltage, VOH, VDD = 3.3 or 5 V	IOH=-8mA	VDD-0.4			V
Operating Supply Current, IDD, at 3.3 V	No Load, 25 MHz in, x4		35		mA
Operating Supply Current, IDD, at 5 V	No Load, 25 MHz in, x4		59		mA
Power Down Supply Current, IDD, at 3.3 V	S3:S0 = 0 (Gnd)		55		µA
Short Circuit Current, VDD = 3.3 V	Each output		±50		mA
AC CHARACTERISTICS (VDD = 3.3 V or 5 V unless noted)					
Input Crystal or Clock Frequency		10		27	MHz
Output Clock Rise Time	0.8 to 2.0 V			1.5	ns
Output Clock Fall Time	2.0 to 0.8 V			1.5	ns
Output Clock Duty Cycle	At VDD/2	40	50	60	%
Output to Output Skew	Rising edges at VDD/2			250	ps

Note: 1. Stresses beyond those listed under Absolute Maximum Ratings could cause permanent damage to the device. Prolonged exposure to levels above the operating limits but below the Absolute Maximums may affect device reliability.

External Components

A minimum number of external components are required for proper operation. A decoupling capacitor of 0.01 uF should be connected between VDD and GND on pins 4 and 6, and 16 and 14. Other VDDs and GNDs can be connected to these pins or directly to their respective power planes. A 33 series terminating resistor may be used on the clock output if the trace is longer than 1-inch.

The crystal should be a fundamental mode (do not use third overtone), parallel resonant, with accuracy as required by the application. Crystal capacitors should be connected from pins X1 to ground and X2 to ground. The value of these capacitors is given by the following equation, where C_L is the crystal load capacitance: Crystal caps (pF) = $(C_L - 12) \times 2$. So for a crystal with 18pF load capacitance, two 12pF caps should be used. For a clock input, connect it to X1/ICLK, and leave X2 unconnected (floating).



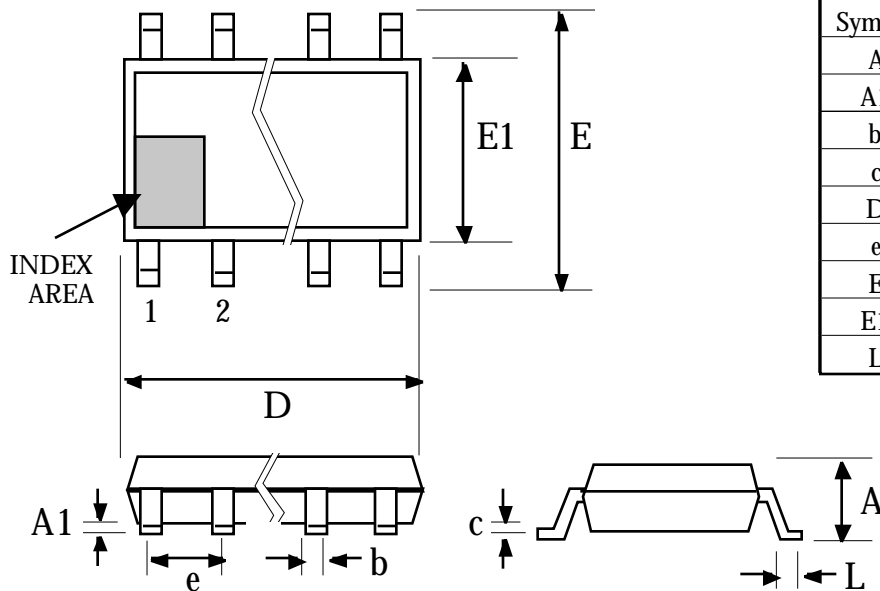
ICS552-01A

Crystal Oscillator & Multiplier with 8 Low Skew Outputs

Package Outline and Package Dimensions

(For current dimensional specifications, see JEDEC Publication No. 95.)

20 pin SSOP



Symbol	Inches		Millimeters	
	Min	Max	Min	Max
A	0.053	0.069	1.35	1.75
A1	0.004	0.010	0.10	0.25
b	0.008	0.012	0.20	0.30
c	0.007	0.010	0.19	0.25
D	0.337	0.344	8.56	8.74
e	.025 BSC		0.635 BSC	
E	0.228	0.244	5.79	6.20
E1	0.150	0.157	3.81	3.99
L	0.016	0.050	0.41	1.27

Ordering Information

Part/Order Number	Marking	Package	Shipping	Temperature
ICS552R-01	ICS552R-01	20 pin SSOP	Tubes	0 to 70 °C
ICS552R-01T	ICS552R-01	20 pin SSOP	Tape and Reel	0 to 70 °C
ICS552R-01I	ICS552R-01I	20 pin SSOP	Tubes	-40 to 85 °C
ICS552R-01IT	ICS552R-01I	20 pin SSOP	Tape and Reel	-40 to 85 °C

While the information presented herein has been checked for both accuracy and reliability, Integrated Circuit Systems, Incorporated (ICS) assumes no responsibility for either its use or for the infringement of any patents or other rights of third parties, which would result from its use. No other circuits, patents, or licenses are implied. This product is intended for use in normal commercial applications. Any other applications such as those requiring extended temperature range, high reliability, or other extraordinary environmental requirements are not recommended without additional processing by ICS. ICS reserves the right to change any circuitry or specifications without notice. ICS does not authorize or warrant any ICS product for use in life support devices or critical medical instruments.