



Frequency Timing Generator for Pentium II Systems

General Description

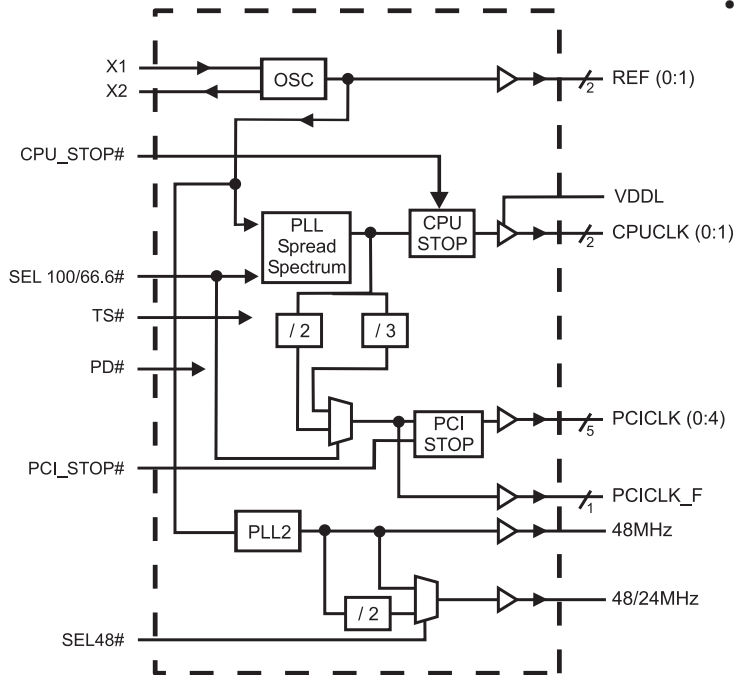
The ICS9248-50

ICS9248-50

Features

- Generates the following system clocks:
 - 2 CPU (2.5V) up to 100MHz.
 - 6 PCI (3.3V) @ 33.3MHz (Includes one free running).
 - 2 REF clks (3.3V) at 14.318MHz.
- Skew characteristics:
 - CPU – CPU ≤ 175 ps
 - PCI – PCI ≤ 500 ps
 - CPU(early) – PCI = 1.5ns – 4ns.
- Supports Spread Spectrum modulation for CPU and PCI clocks, 0.5% down spread
- Efficient Power management scheme through stop clocks and power down modes.
- Uses external 14.318MHz crystal, no external load cap required for CL=18pF crystal.
- 28-pin (209 mil) SSOP package

Block Diagram



Pin Configuration

| | | | |
|--------------|----|----|--------------|
| GNDREF | 1 | 28 | VDDREF |
| X1 | 2 | 27 | REF0/SEL48# |
| X2 | 3 | 26 | REF1/SPREAD# |
| PCICLK_F | 4 | 25 | VDDL |
| PCICLK0 | 5 | 24 | CPUCLK1 |
| PCICLK1 | 6 | 23 | CPUCLK0 |
| GNDPCI | 7 | 22 | GNDL |
| VDDPCI | 8 | 21 | GND |
| PCICLK2 | 9 | 20 | PCI_STOP# |
| PCICLK3 | 10 | 19 | VDD |
| PCICLK4 | 11 | 18 | CPU_STOP# |
| VDD48 | 12 | 17 | PD# |
| 48MHz | 13 | 16 | SEL 100/66# |
| TS#/48/24MHz | 14 | 15 | GND48 |

28-Pin SSOP

Power Groups



Pin Descriptions

| Pin number | Pin name | Type | Description |
|-------------|--------------|--------|---|
| 1 | GNDREF | Power | Ground for 14.318 MHz reference clock outputs |
| 2 | X1 | Input | 14.318 MHz crystal input |
| 3 | X2 | Output | 14.318 MHz crystal output |
| 4 | PCICLK_F | Output | 3.3 V free running PCI clock output, will not be stopped by the PCI_STOP# |
| 5,6,9,10,11 | PCICLK (1:5) | Output | 3.3 V PCI clock outputs, generating timing requirements for Pentium IIä |
| 7 | GNDPCI | Power | Ground for PCI clock outputs |
| 8 | VDDPCI | Power | 3.3 V power for the PCI clock outputs |
| 12 | VDD48 | Power | 3.3 V power for 48/24 MHz clocks |
| 13 | 48 MHz | Output | 3.3 V 48 MHz clock output, fixed frequency clock typically used with USB devices |
| 14 | TS#/48/24MHz | Output | 3.3 V 48 or 24 MHz output and Tri-state option, active low = tri state mode for testing, active high = normal operation |
| 15 | GND48 | Power | Ground for 48/24 MHz clocks |
| 16 | SEL 100/66# | Input | control for the frequency of clocks at the CPU & PCICLK output pins. If logic "0" is used the 66.6 MHz frequency is selected. If Logic "1" is used, the 100 MHz frequency is selected. The PCI clock is multiplexed to run at 33.3 MHz for both selected cases. |
| 17 | PD# | Input | Asynchronous active low input pin used to power down the device into a low power state. The internal clocks are disabled and the VCO and the crystal are stopped. The latency of the power down will not be greater than 3ms. |
| 18 | CPU_STOP# | Input | Asynchronous active low input pin used to stop the CPUCLK in active low state, all other clocks will continue to run. The CPUCLK will have a "Turnon " latency of at least 3 CPU clocks. |
| 19 | VDD | Power | Isolated 3.3 V power for core |
| 20 | PCI-Stop# | Input | Synchronous active low input used to stop the PCICLK in active low state. It will not effect PCICLK_F or any other outputs. |
| 21 | GND | Power | Isolated ground for core |
| 22 | GNDL | Power | Ground for CPU clock outputs |
| 23,24 | CPUCLK(1:0) | Output | 2.5 V CPU clock outputs |
| 25 | VDDL | Power | 2.5 V power for CPU clock outputs |
| 26 | REF1/SPREAD# | Output | 3.3 V 14.318 MHz reference clock output and power-on spread spectrum enable option. Active low = spread spectrum clocking enable. Active high = spread spectrum clocking disable. |
| 27 | REF0/SEL48# | Output | 3.3 V 14.318 MHz reference clock output and power-on 48/24 MHz select option. Active low = 48 MHz output at pin 14. Active high = 24 MHz output at pin 14. |
| 28 | VDDREF | Power | 3.3 V power for 14.318 MHz reference clock outputs. |



Select Functions

| Functionality | CPUCLK | PCI, PCI_F | REF0 |
|---------------|---------------------|---------------------|-------------------|
| Tristate | HI - Z | HI - Z | HI - Z |
| Testmode | TCLK/2 ¹ | TCLK/6 ¹ | TCLK ¹ |

| SEL 100/66# | TS# | Function |
|----------------|-----|------------------------------|
| 0 | 0 | Tri-State |
| 0 | - | (Reserved) |
| 0 | - | (Reserved) |
| 0 | 1 | Active 66.6MHz CPU, 33.3 PCI |
| 1 | 0 | Test Mode |
| 1 | - | (Reserved) |
| 1 | - | (Reserved) |
| 1 | 1 | Active 100MHz CPU, 33.3 PCI |

Power Management

Clock Enable Configuration

| CPU_STOP# | PCI_STOP# | PWR_DWN# | CPUCLK | PCICLK | PCICLK_F | REF | Crystal | VCOs |
|-----------|-----------|----------|-------------|----------|----------|---------|---------|---------|
| X | X | 0 | Low | Low | Low | Stopped | Off | Off |
| 0 | 0 | 1 | Low | Low | 33.3MHz | Running | Running | Running |
| 0 | 1 | 1 | Low | 33.3 MHz | 33.3MHz | Running | Running | Running |
| 1 | 0 | 1 | 100/66.6MHz | Low | 33.3MHz | Running | Running | Running |
| 1 | 1 | 1 | 100/66.6MHz | 33.3 MHz | 33.3MHz | Running | Running | Running |

ICS9248-50 Power Management Requirements

| SIGNAL | SIGNAL STATE | Latency No. of rising edges of free running PCICLK |
|-----------|-----------------------------------|--|
| CPU_STOP# | 0 (Disabled) ² | 1 |
| | 1 (Enabled) ¹ | 1 |
| PCI_STOP# | 0 (Disabled) ² | 1 |
| | 1 (Enabled) ¹ | 1 |
| PD# | 1 (Normal Operation) ³ | 3ms |
| | 0 (Power Down) ⁴ | 2max |

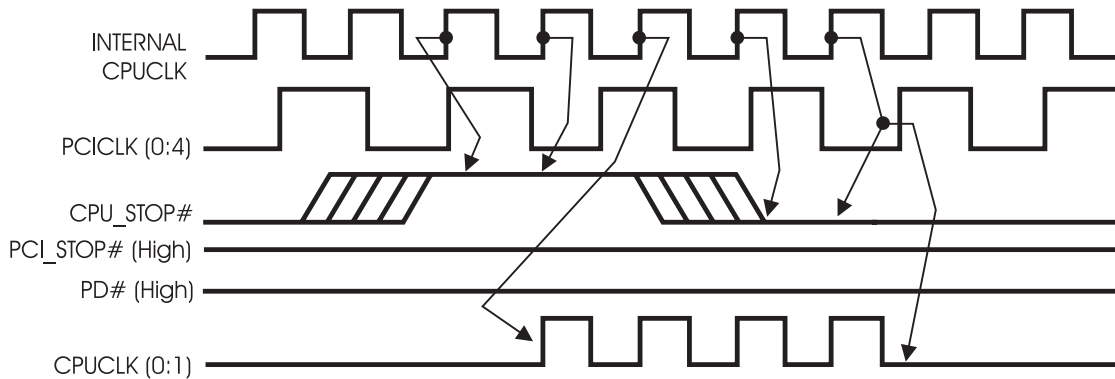
Notes.

1. Clock on latency is defined from when the clock enable goes active to when the first valid clock comes out of the device.
2. Clock off latency is defined from when the clock enable goes inactive to when the last clock is driven low out of the device.
3. Power up latency is when PD# goes inactive (high) to when the first valid clocks are output by the device.
4. Power down has controlled clock counts applicable to CPUCLK, PCICLK only.
The REF will be stopped independent of these.



CPU_STOP# Timing Diagram

ICS9248-50

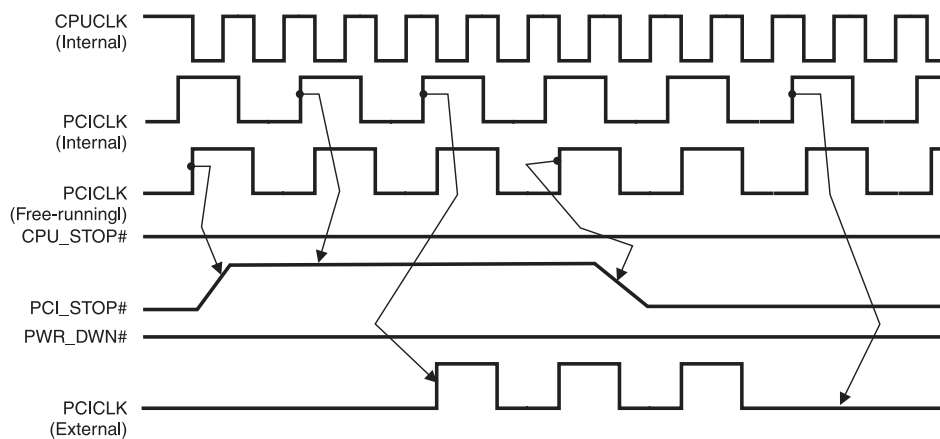


Notes:

1. All timing is referenced to the internal CPUCLK.
2. CPU_STOP# is an asynchronous input and metastable conditions may exist. This signal is synchronized to the CPUCLKs inside the ICS9248-50.
3. All other clocks continue to run undisturbed.
4. PD# and PCI_STOP# are shown in a high (true) state.

PCI_STOP# Timing Diagram

ICS9248-50
ICS9248-50



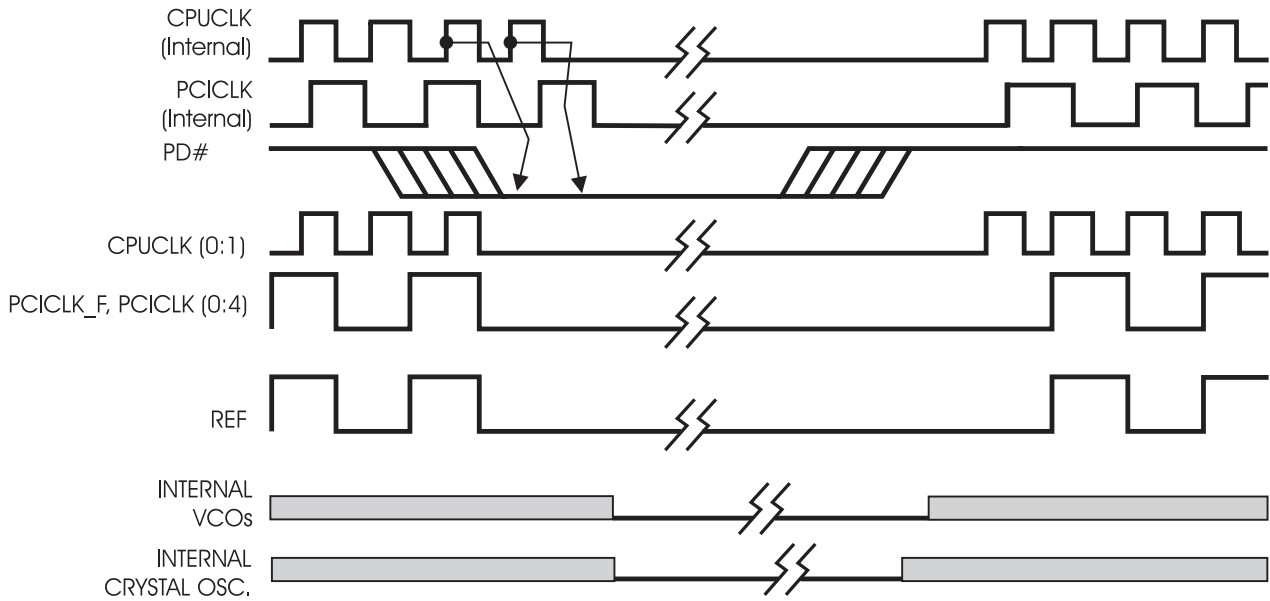
Notes:

1. All timing is referenced to the Internal CPUCLK (defined as inside the ICS9248 device.)
2. PCI_STOP# is an asynchronous input, and metastable conditions may exist. This signal is required to be synchronized inside the ICS9248.
3. All other clocks continue to run undisturbed.
4. PD# and CPU_STOP# are shown in a high (true) state.



PD# Timing Diagram

ICS9248-50



Notes:

1. All timing is referenced to the Internal CPUCLK (defined as inside the ICS9248 device).
2. PD# is an asynchronous input and metastable conditions may exist. This signal is synchronized inside the ICS9248.
3. The shaded sections on the VCO and the Crystal signals indicate an active clock is being generated.



Absolute Maximum Ratings

$V_{DD} + 0.5\text{ V}$

Ambient Operating Temperature 0°C to $+70^{\circ}\text{C}$
 Case Temperature 0°C to $+115^{\circ}\text{C}$
 Storage Temperature -65°C to $+150^{\circ}\text{C}$

Absolute Maximum Ratings

Electrical Characteristics - Input/Supply/Common Output Parameters

$T_A = 0 - 70^{\circ}\text{C}$; Supply Voltage $V_{DD} = 3.3\text{ V} \pm 5\%$, $V_{DDL} = 2.5\text{ V} \pm 5\%$ (unless otherwise stated)

| PARAMETER | SYMBOL | CONDITIONS | MIN | TYP | MAX | UNITS |
|--------------------------------|------------------|--|----------------|--------|----------------|-------|
| Input High Voltage | V_{IH} | | 2 | | $V_{DD} + 0.3$ | V |
| Input Low Voltage | V_{IL} | | $V_{SS} - 0.3$ | | 0.8 | V |
| Input High Current | I_{IH} | $V_{IN} = V_{DD}$ | | 0.1 | 5 | mA |
| Input Low Current | I_{IL1} | $V_{IN} = 0\text{ V}$; Inputs with no pull-up resistors | -5 | 2.0 | | mA |
| Input Low Current | I_{IL2} | $V_{IN} = 0\text{ V}$; Inputs with pull-up resistors | -200 | -100 | | mA |
| Operating Supply Current | $I_{DD3.3OP66}$ | $C_L = 0\text{ pF}$; Select @ 66MHz | | 60 | 180 | mA |
| | $I_{DD3.3OP100}$ | $C_L = 0\text{ pF}$; Select @ 100MHz | | 66 | 180 | mA |
| | $I_{DD2.5OP66}$ | $C_L = 0\text{ pF}$; Select @ 66.8 MHz | | 16 | 72 | mA |
| | $I_{DD2.5OP100}$ | $C_L = 0\text{ pF}$; Select @ 100 MHz | | 23 | 100 | mA |
| Power Down Supply Current | $I_{DD3.3PD}$ | $C_L = 0\text{ pF}$; With input address to Vdd or GND | | 70 | 600 | mA |
| Input frequency | F_i | $V_{DD} = 3.3\text{ V}$; | 11 | 14.318 | 16 | MHz |
| Input Capacitance ¹ | C_{IN} | Logic Inputs | | | 5 | pF |
| | C_{INX} | X1 & X2 pins | 27 | 36 | 45 | pF |
| Transition Time ¹ | T_{trans} | To 1st crossing of target Freq. | | | 3 | ms |
| Clk Stabilization ¹ | T_{STAB} | From $V_{DD} = 3.3\text{ V}$ to 1% target Freq. | | | 3 | ms |
| Skew ¹ | $T_{CPU-PCI}$ | $V_T = 1.5\text{ V}$; $V_{TL} = 1.25\text{ V}$ | 1.5 | 3 | 4 | ns |



Electrical Characteristics - CPUCLK

T_A = 0 - 70°C; V_{DD} = 3.3 V +/-5%, V_{DDL} = 2.5 V +/-5%; C_L = 10 - 20 pF (unless otherwise stated)

| PARAMETER | SYMBOL | CONDITIONS | MIN | TYP | MAX | UNITS |
|---------------------|-------------------------------------|--|------|------|------|-------|
| Output High Voltage | V _{OH2B} | I _{OH} = -12.0 mA | 1.8 | 2.3 | | V |
| Output Low Voltage | V _{OL2B} | I _{OL} = 12 mA | | 0.31 | 0.4 | V |
| Output High Current | I _{OH2B} | V _{OH} = 1.7 V | | | -27 | mA |
| Output Low Current | I _{OL2B} | V _{OL} = 0.7 V | 27 | | | mA |
| Rise Time | t _{r2B} ¹ | V _{OL} = 0.4 V, V _{OH} = 2.0 V | 0.4 | 1.15 | 1.6 | ns |
| Fall Time | t _{f2B} ¹ | V _{OH} = 2.0 V, V _{OL} = 0.4 V | 0.4 | 1.4 | 1.6 | ns |
| Duty Cycle | d _{t2B} ¹ | V _T = 1.25 V | 44 | 48 | 55 | % |
| Skew | t _{sk2B} ¹ | V _T = 1.25 V | | 134 | 175 | ps |
| Jitter | period(norm) | V _T = 1.25 V; 100MHz | 10 | 10 | 10.5 | ns |
| Jitter | t _{jcy-cyc2B} ¹ | V _T = 1.25 V | | 186 | 200 | ps |
| Jitter, Absolute | t _{jabs2B} ¹ | V _T = 1.25 V | -250 | 150 | +250 | ps |

¹Guaranteed by design, not 100% tested in production.

Electrical Characteristics - REF/48MHz/24MHz

T_A = 0 - 70°C; V_{DD} = 3.3 V +/-5%, V_{DDL} = 2.5 V +/-5%; C_L = 10 - 20 pF (unless otherwise stated)

| PARAMETER | SYMBOL | CONDITIONS | MIN | TYP | MAX | UNITS |
|-------------------------|--------------------|--|-----|------|-----|-------|
| Output High Voltage | V _{OH5} | I _{OH} = -12 mA | 2.6 | 3.1 | | V |
| Output Low Voltage | V _{OL5} | I _{OL} = 9 mA | | 0.17 | 0.4 | V |
| Output High Current | I _{OH5} | V _{OH} = 2.0 V | | -44 | -22 | mA |
| Output Low Current | I _{OL5} | V _{OL} = 0.8 V | 16 | 42 | | mA |
| Rise Time ¹ | t _{r5} | V _{OL} = 0.4 V, V _{OH} = 2.4 V | | 1.4 | 4 | ns |
| Fall Time ¹ | t _{f5} | V _{OH} = 2.4 V, V _{OL} = 0.4 V | | 1.1 | 4 | ns |
| Duty Cycle ¹ | d _{t5} | V _T = 1.5 V | 45 | 53 | 55 | % |
| Jitter ¹ | t _{j1s5} | V _T = 1.5 V, REF | | 185 | 250 | ps |
| | t _{jabs5} | V _T = 1.5 V, REF | | 385 | 800 | ps |
| Jitter ¹ | t _{j1s5} | V _T = 1.5 V, 48 MHz | | 169 | 250 | ps |
| | t _{jabs5} | V _T = 1.5 V, 48 MHz | | 469 | 800 | ps |



Electrical Characteristics - PCICLK

TA = 0 - 70°C; V_{DD} = 3.3 V +/-5%, V_{DDL} = 2.5 V +/-5%; C_L = 30 pF

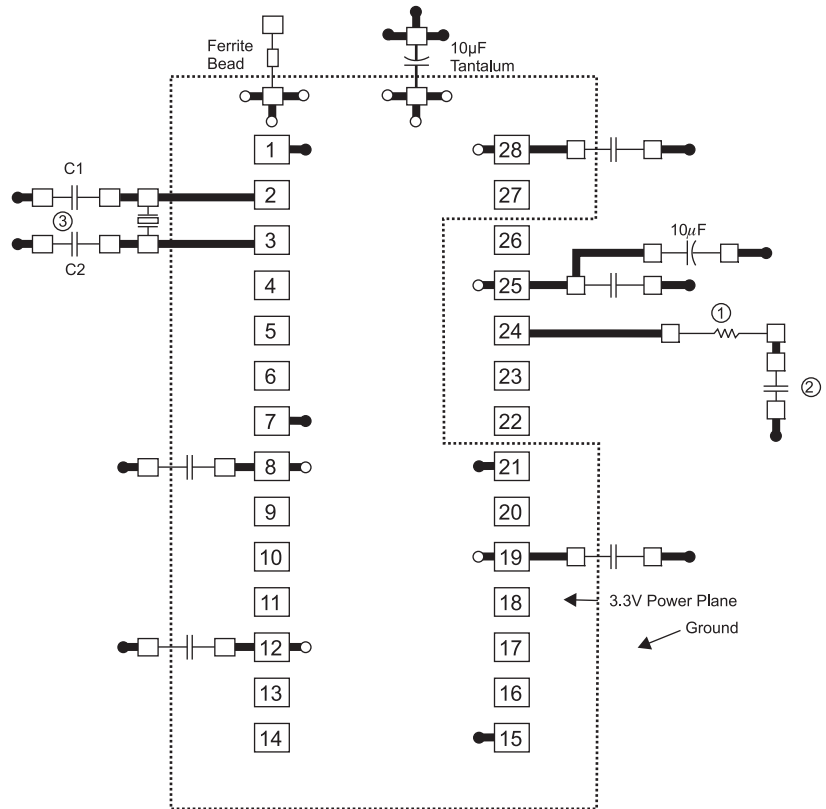
| PARAMETER | SYMBOL | CONDITIONS | MIN | TYP | MAX | UNITS |
|-------------------------|----------------------------------|--|-----|-----|-----|-------|
| Output High Voltage | V _{OH1} | I _{OH} = -18 mA | 2.1 | 3.3 | | V |
| Output Low Voltage | V _{OL1} | I _{OL} = 9.4 mA | | 0.1 | 0.4 | V |
| Output High Current | I _{OH1} | V _{OH} = 2.0 V | | | -22 | mA |
| Output Low Current | I _{OL1} | V _{OL} = 0.8 V | 16 | | 57 | mA |
| Rise Time ¹ | t _{r1} | V _{OL} = 0.4 V, V _{OH} = 2.4 V | | 1.6 | 2 | ns |
| Fall Time ¹ | t _{f1} | V _{OH} = 2.4 V, V _{OL} = 0.4 V | | 1.8 | 2 | ns |
| Duty Cycle ¹ | d _{t1} | V _T = 1.5 V | 45 | 50 | 55 | % |
| Skew ¹ | t _{sk1} | V _T = 1.5 V | | 222 | 500 | ps |
| Jitter ¹ | t _{j_{cyc-cyc}} | V _T = 1.5 V | | 186 | 500 | ps |
| | t _{j1s} | V _T = 1.5 V | | 52 | 150 | ps |
| | t _{jabs} | V _T = 1.5 V | | 200 | 500 | ps |

¹Guaranteed by design, not 100% tested in production.



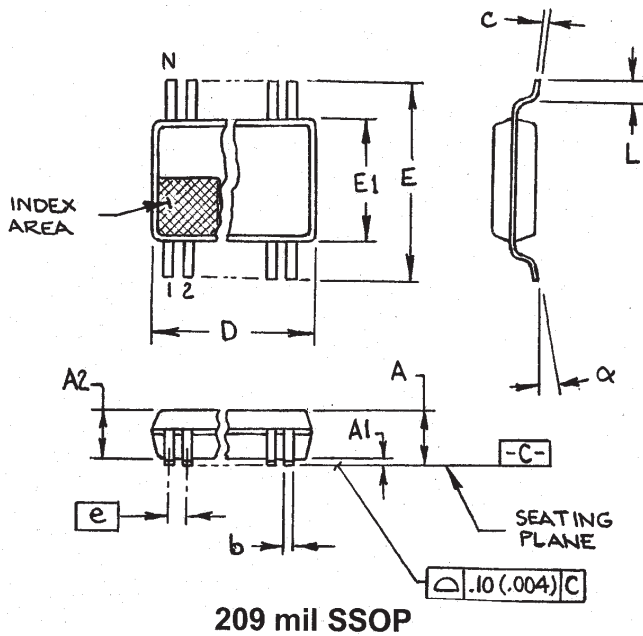
General Layout Precautions:

Notes:



- = Ground Plane Connection
- = Power Plane Connection
- = Solder Pads

Capacitor Values:



| SYMBOL | In Millimeters COMMON DIMENSIONS | | In Inches COMMON DIMENSIONS | |
|----------|-------------------------------------|------|--------------------------------|------|
| | MIN | MAX | MIN | MAX |
| A | - | 2.00 | - | .079 |
| A1 | 0.05 | - | .002 | - |
| A2 | 1.65 | 1.85 | .065 | .073 |
| b | 0.22 | 0.38 | .009 | .015 |
| c | 0.09 | 0.25 | .0035 | .010 |
| D | SEE VARIATIONS | | SEE VARIATIONS | |
| E | 7.40 | 8.20 | .291 | .323 |
| E1 | 5.00 | 5.60 | .197 | .220 |
| e | 0.65 BASIC | | 0.0256 BASIC | |
| L | 0.55 | 0.95 | .022 | .037 |
| N | SEE VARIATIONS | | SEE VARIATIONS | |
| α | 0° | 8° | 0° | 8° |

VARIATIONS

| N | D mm. | | D (inch) | |
|----|-------|-------|----------|------|
| | MIN | MAX | MIN | MAX |
| 8 | 2.70 | 3.30 | .106 | .130 |
| 14 | 5.90 | 6.50 | .232 | .256 |
| 16 | 5.90 | 6.50 | .232 | .256 |
| 18 | 6.90 | 7.50 | .271 | .295 |
| 20 | 6.90 | 7.50 | .271 | .295 |
| 22 | 7.90 | 8.50 | .311 | .335 |
| 24 | 7.90 | 8.50 | .311 | .335 |
| 28 | 9.90 | 10.50 | .390 | .413 |
| 30 | 9.90 | 10.50 | .390 | .413 |
| 38 | 12.30 | 12.90 | .484 | .508 |

MO-150 JEDEC Doc.# 10-0033 6/7/00 Rev B

Ordering Information

9248yF-50-T

XXXX y F - PPP - T

