



Integrated Device Technology, Inc.

# FAST CMOS 18-BIT REGISTERED TRANSCEIVER

IDT54/74FCT16501AT/CT/ET  
IDT54/74FCT162501AT/CT/ET  
IDT54/74FCT162H501AT/CT/ET

## FEATURES:

- **Common features:**
  - 0.5 MICRON CMOS Technology
  - **High-speed, low-power CMOS replacement for ABT functions**
  - **Typical tsk(o) (Output Skew) < 250ps**
  - **Low input and output leakage  $\leq 1\mu\text{A}$  (max.)**
  - ESD > 2000V per MIL-STD-883, Method 3015; > 200V using machine model (C = 200pF, R = 0)
  - Packages include 25 mil pitch SSOP, 19.6 mil pitch TSSOP, 15.7 mil pitch TVSOP and 25 mil pitch Cerpack
  - Extended commercial range of -40°C to +85°C
- **Features for FCT16501AT/CT/ET:**
  - High drive outputs (-32mA IOH, 64mA IOL)
  - Power off disable outputs permit "live insertion"
  - Typical VOLP (Output Ground Bounce) < 1.0V at VCC = 5V, TA = 25°C
- **Features for FCT162501AT/CT/ET:**
  - Balanced Output Drivers:  $\pm 24\text{mA}$  (commercial),  $\pm 16\text{mA}$  (military)
  - Reduced system switching noise
  - Typical VOLP (Output Ground Bounce) < 0.6V at VCC = 5V, TA = 25°C
- **Features for FCT162H501AT/CT/ET:**
  - Bus Hold retains last active bus state during 3-state
  - Eliminates the need for external pull up resistors

CMOS technology. These high-speed, low-power 18-bit registered bus transceivers combine D-type latches and D-type flip-flops to allow data flow in transparent, latched and clocked modes. Data flow in each direction is controlled by output-enable (OEAB and  $\overline{\text{OEBA}}$ ), latch enable (LEAB and LEBA) and clock (CLKAB and CLKBA) inputs. For A-to-B data flow, the device operates in transparent mode when LEAB is HIGH. When LEAB is LOW, the A data is latched if CLKAB is held at a HIGH or LOW logic level. If LEAB is LOW, the A bus data is stored in the latch/flip-flop on the LOW-to-HIGH transition of CLKAB. OEAB is the output enable for the B port. Data flow from the B port to the A port is similar but requires using  $\overline{\text{OEBA}}$ , LEBA and CLKBA. Flow-through organization of signal pins simplifies layout. All inputs are designed with hysteresis for improved noise margin.

The FCT16501AT/CT/ET are ideally suited for driving high-capacitance loads and low-impedance backplanes. The output buffers are designed with power off disable capability to allow "live insertion" of boards when used as backplane drivers.

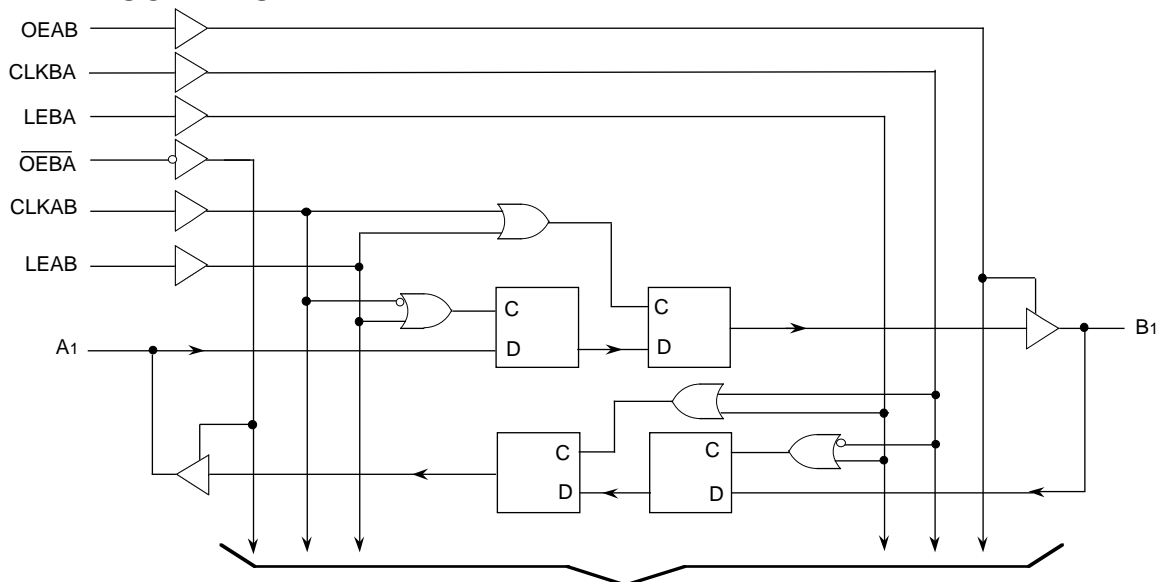
The FCT162501AT/CT/ET have balanced output drive with current limiting resistors. This offers low ground bounce, minimal undershoot, and controlled output fall times—reducing the need for external series terminating resistors. The FCT162501AT/CT/ET are plug-in replacements for the FCT16501AT/CT/ET and ABT16501 for on-board bus interface applications.

The FCT162H501AT/CT/ET have "Bus Hold" which retains the input's last state whenever the input goes to high impedance. This prevents "floating" inputs and eliminates the need for pull-up/down resistors.

## DESCRIPTION:

The FCT16501AT/CT/ET and FCT162501AT/CT/ET 18-bit registered transceivers are built using advanced dual metal

## FUNCTIONAL BLOCK DIAGRAM



TO 17 OTHER CHANNELS

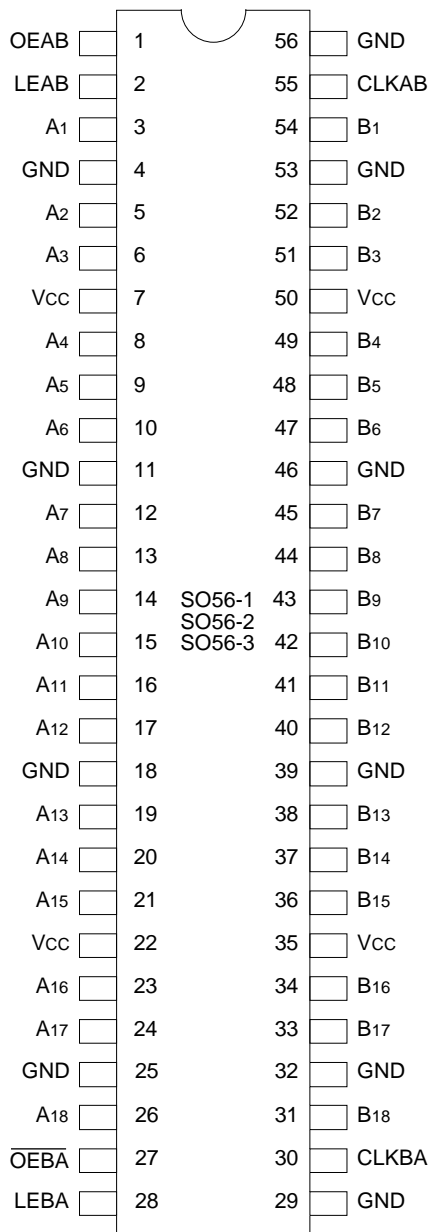
The IDT logo is a registered trademark of Integrated Device Technology, Inc.

2547 drw 01

MILITARY AND COMMERCIAL TEMPERATURE RANGES

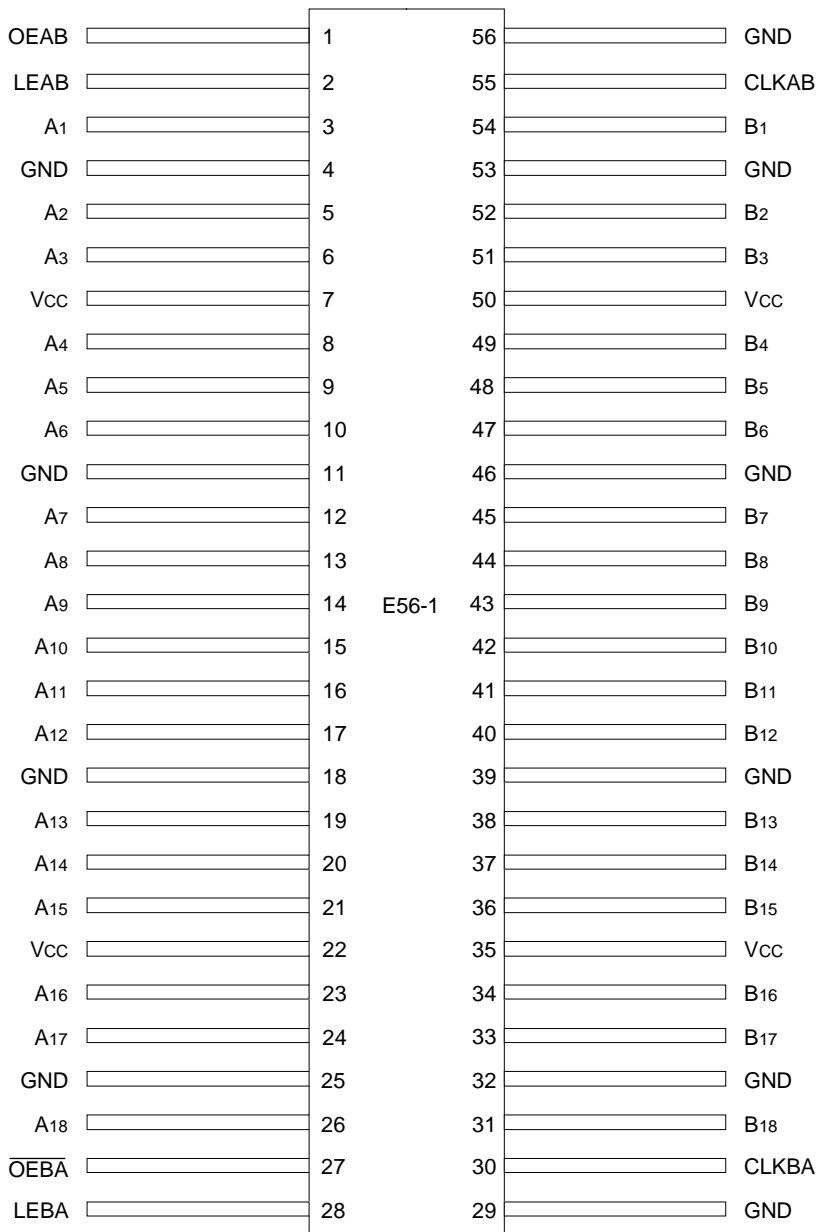
AUGUST 1996

## PIN CONFIGURATIONS



SSOP/  
TSSOP/TVSOP  
TOP VIEW

2547 drw 02



CERPACK  
TOP VIEW

2547 drw 03

## PIN DESCRIPTION

Pin Names	Description
OEAB	A-to-B Output Enable Input
$\overline{OEBA}$	B-to-A Output Enable Input (Active LOW)
LEAB	A-to-B Latch Enable Input
LEBA	B-to-A Latch Enable Input
CLKAB	A-to-B Clock Input
CLKBA	B-to-A Clock Input
Ax	A-to-B Data Inputs or B-to-A 3-State Outputs <sup>(1)</sup>
Bx	B-to-A Data Inputs or A-to-B 3-State Outputs <sup>(1)</sup>

**NOTE:**

2547 tbl 01

1. On FCT16xH501T these pins have "Bus Hold". All other pins are standard inputs, outputs or I/Os.

## ABSOLUTE MAXIMUM RATINGS<sup>(1)</sup>

Symbol	Description	Max.	Unit
V <sub>TERM</sub> <sup>(2)</sup>	Terminal Voltage with Respect to GND	-0.5 to +7.0	V
V <sub>TERM</sub> <sup>(3)</sup>	Terminal Voltage with Respect to GND	-0.5 to V <sub>CC</sub> +0.5	V
T <sub>STG</sub>	Storage Temperature	-65 to +150	°C
I <sub>OUT</sub>	DC Output Current	-60 to +120	mA

**NOTES:**

2547 lmk 03

- Stresses greater than those listed under ABSOLUTE MAXIMUM RATINGS may cause permanent damage to the device. This is a stress rating only and functional operation of the device at these or any other conditions above those indicated in the operational sections of this specification is not implied. Exposure to absolute maximum rating conditions for extended periods may affect reliability.
- All device terminals except FCT162XXXXT Output and I/O terminals.
- Output and I/O terminals for FCT162XXXXT.

## FUNCTION TABLE<sup>(1,4)</sup>

Inputs				Outputs
OEAB	LEAB	CLKAB	Ax	Bx
L	X	X	X	Z
H	H	X	L	L
H	H	X	H	H
H	L	↑	L	L
H	L	↑	H	H
H	L	L	X	B <sup>(2)</sup>
H	L	H	X	B <sup>(3)</sup>

**NOTES:**

2547 tbl 02

- A-to-B data flow is shown. B-to-A data flow is similar but uses  $\overline{OEBA}$ , LEBA, and CLKBA.
- Output level before the indicated steady-state input conditions were established.
- Output level before the indicated steady-state input conditions were established, provided that CLKAB was HIGH before LEAB went LOW.
- H = HIGH Voltage Level  
L = LOW Voltage Level  
X = Don't Care  
Z = High-impedance  
↑ = LOW-to-HIGH Transition

## CAPACITANCE (T<sub>A</sub> = +25°C, f = 1.0MHz)

Symbol	Parameter <sup>(1)</sup>	Conditions	Typ.	Max.	Unit
C <sub>IN</sub>	Input Capacitance	V <sub>IN</sub> = 0V	3.5	6.0	pF
C <sub>I/O</sub>	I/O Capacitance	V <sub>OUT</sub> = 0V	3.5	8.0	pF

**NOTE:**

2547 lmk 04

- This parameter is measured at characterization but not tested.

## DC ELECTRICAL CHARACTERISTICS OVER OPERATING RANGE (STANDARD PARTS)

Following Conditions Apply Unless Otherwise Specified:

Commercial:  $T_A = -40^{\circ}\text{C}$  to  $+85^{\circ}\text{C}$ ,  $V_{CC} = 5.0\text{V} \pm 10\%$ ; Military:  $T_A = -55^{\circ}\text{C}$  to  $+125^{\circ}\text{C}$ ,  $V_{CC} = 5.0\text{V} \pm 10\%$

Symbol	Parameter	Test Conditions <sup>(1)</sup>		Min.	Typ. <sup>(2)</sup>	Max.	Unit
$V_{IH}$	Input HIGH Level	Guaranteed Logic HIGH Level		2.0	—	—	V
$V_{IL}$	Input LOW Level	Guaranteed Logic LOW Level		—	—	0.8	V
$I_{IH}$	Input HIGH Current (Input pins) <sup>(5)</sup>	$V_{CC} = \text{Max.}$	$V_I = V_{CC}$	—	—	$\pm 1$	$\mu\text{A}$
	Input HIGH Current (I/O pins) <sup>(5)</sup>			—	—	$\pm 1$	
$I_{IL}$	Input LOW Current (Input pins) <sup>(5)</sup>		$V_I = \text{GND}$	—	—	$\pm 1$	
	Input LOW Current (I/O pins) <sup>(5)</sup>			—	—	$\pm 1$	
$I_{OZH}$	High Impedance Output Current (3-State Output pins) <sup>(5)</sup>	$V_{CC} = \text{Max.}$	$V_O = 2.7\text{V}$	—	—	$\pm 1$	$\mu\text{A}$
$I_{OZL}$			$V_O = 0.5\text{V}$	—	—	$\pm 1$	
$V_{IK}$	Clamp Diode Voltage	$V_{CC} = \text{Min.}, I_{IN} = -18\text{mA}$		—	-0.7	-1.2	V
$I_{OS}$	Short Circuit Current	$V_{CC} = \text{Max.}, V_O = \text{GND}^{(3)}$		-80	-140	-225	mA
$V_H$	Input Hysteresis	—		—	100	—	mV
$I_{CCL}$ $I_{CCH}$ $I_{CCZ}$	Quiescent Power Supply Current	$V_{CC} = \text{Max.}, V_{IN} = \text{GND or } V_{CC}$		—	5	500	$\mu\text{A}$

2547 Ink 05

## OUTPUT DRIVE CHARACTERISTICS FOR FCT16501T

Symbol	Parameter	Test Conditions <sup>(1)</sup>		Min.	Typ. <sup>(2)</sup>	Max.	Unit
$I_O$	Output Drive Current	$V_{CC} = \text{Max.}, V_O = 2.5\text{V}^{(3)}$		-50	—	-180	mA
$V_{OH}$	Output HIGH Voltage	$V_{CC} = \text{Min.}$ $V_{IN} = V_{IH} \text{ or } V_{IL}$	$I_{OH} = -3\text{mA}$	2.5	3.5	—	V
			$I_{OH} = -12\text{mA MIL.}$ $I_{OH} = -15\text{mA COM'L.}$	2.4	3.5	—	V
			$I_{OH} = -24\text{mA MIL.}$ $I_{OH} = -32\text{mA COM'L.}^{(4)}$	2.0	3.0	—	V
$V_{OL}$	Output LOW Voltage	$V_{CC} = \text{Min.}$ $V_{IN} = V_{IH} \text{ or } V_{IL}$	$I_{OL} = 48\text{mA MIL.}$ $I_{OL} = 64\text{mA COM'L.}$	—	0.2	0.55	V
$I_{OFF}$	Input/Output Power Off Leakage <sup>(5)</sup>	$V_{CC} = 0\text{V}, V_{IN} \text{ or } V_O \leq 4.5\text{V}$		—	—	$\pm 1$	$\mu\text{A}$

2547 Ink 06

## OUTPUT DRIVE CHARACTERISTICS FOR FCT162501T

Symbol	Parameter	Test Conditions <sup>(1)</sup>		Min.	Typ. <sup>(2)</sup>	Max.	Unit
$I_{ODL}$	Output LOW Current	$V_{CC} = 5\text{V}, V_{IN} = V_{IH} \text{ or } V_{IL}, V_{OUT} = 1.5\text{V}^{(3)}$		60	115	200	mA
$I_{ODH}$	Output HIGH Current	$V_{CC} = 5\text{V}, V_{IN} = V_{IH} \text{ or } V_{IL}, V_{OUT} = 1.5\text{V}^{(3)}$		-60	-115	-200	mA
$V_{OH}$	Output HIGH Voltage	$V_{CC} = \text{Min.}$ $V_{IN} = V_{IH} \text{ or } V_{IL}$	$I_{OH} = -16\text{mA MIL.}$ $I_{OH} = -24\text{mA COM'L.}$	2.4	3.3	—	V
$V_{OL}$	Output LOW Voltage	$V_{CC} = \text{Min.}$ $V_{IN} = V_{IH} \text{ or } V_{IL}$	$I_{OL} = 16\text{mA MIL.}$ $I_{OL} = 24\text{mA COM'L.}$	—	0.3	0.55	V

### NOTES:

- For conditions shown as Max. or Min., use appropriate value specified under Electrical Characteristics for the applicable device type.
- Typical values are at  $V_{CC} = 5.0\text{V}$ ,  $+25^{\circ}\text{C}$  ambient.
- Not more than one output should be tested at one time. Duration of the test should not exceed one second.
- Duration of the condition can not exceed one second.
- The test limit for this parameter is  $\pm 5\mu\text{A}$  at  $T_A = -55^{\circ}\text{C}$ .

2547 Ink 07

## DC ELECTRICAL CHARACTERISTICS OVER OPERATING RANGE (BUS HOLD)

Following Conditions Apply Unless Otherwise Specified:

Commercial:  $T_A = -40^{\circ}\text{C}$  to  $+85^{\circ}\text{C}$ ,  $V_{CC} = 5.0\text{V} \pm 10\%$ ; Military:  $T_A = -55^{\circ}\text{C}$  to  $+125^{\circ}\text{C}$ ,  $V_{CC} = 5.0\text{V} \pm 10\%$

Symbol	Parameter		Test Conditions <sup>(1)</sup>		Min.	Typ. <sup>(2)</sup>	Max.	Unit
$V_{IH}$	Input HIGH Level		Guaranteed Logic HIGH Level		2.0	—	—	V
$V_{IL}$	Input LOW Level		Guaranteed Logic LOW Level		—	—	0.8	V
$I_{IH}$	Input HIGH Current <sup>(4)</sup>	Standard Input <sup>(5)</sup>	$V_{CC} = \text{Max.}$	$V_I = V_{CC}$	—	—	$\pm 1$	$\mu\text{A}$
		Standard I/O <sup>(5)</sup>			—	—	$\pm 1$	
		Bus-Hold Input			—	—	$\pm 100$	
		Bus-Hold I/O			—	—	$\pm 100$	
$I_{IL}$	Input LOW Current <sup>(4)</sup>	Standard Input <sup>(5)</sup>	$V_{CC} = \text{Max.}$	$V_I = \text{GND}$	—	—	$\pm 1$	
		Standard I/O <sup>(5)</sup>			—	—	$\pm 1$	
		Bus-Hold Input			—	—	$\pm 100$	
		Bus-Hold I/O			—	—	$\pm 100$	
$I_{BHH}$ $I_{BHL}$	Bus Hold Sustain Current <sup>(4)</sup>	Bus-Hold Input	$V_{CC} = \text{Min.}$	$V_I = 2.0\text{V}$	-50	—	—	$\mu\text{A}$
				$V_I = 0.8\text{V}$	+50	—	—	
$I_{OZH}$	High Impedance Output Current (3-State Output pins) <sup>(5,6)</sup>		$V_{CC} = \text{Max.}$	$V_O = 2.7\text{V}$	—	—	$\pm 1$	$\mu\text{A}$
$I_{OZL}$				$V_O = 0.5\text{V}$	—	—	$\pm 1$	
$V_{IK}$	Clamp Diode Voltage		$V_{CC} = \text{Min.}, I_{IN} = -18\text{mA}$		—	-0.7	-1.2	V
$I_{OS}$	Short Circuit Current		$V_{CC} = \text{Max.}, V_O = \text{GND}^{(3)}$		-80	-140	-225	mA
$V_H$	Input Hysteresis		—		—	100	—	mV
$I_{CCL}$ $I_{CCH}$ $I_{CCZ}$	Quiescent Power Supply Current		$V_{CC} = \text{Max.}, V_{IN} = \text{GND or } V_{CC}$		—	5	500	$\mu\text{A}$

### NOTES:

2547 Ink 08

- For conditions shown as Max. or Min., use appropriate value specified under Electrical Characteristics for the applicable device type.
- Typical values are at  $V_{CC} = 5.0\text{V}$ ,  $+25^{\circ}\text{C}$  ambient.
- Not more than one output should be tested at one time. Duration of the test should not exceed one second.
- Pins with Bus Hold are identified in the pin description.
- The test limit for this parameter is  $\pm 5\mu\text{A}$  at  $T_A = -55^{\circ}\text{C}$ .
- Does not include Bus Hold I/O pins.

## POWER SUPPLY CHARACTERISTICS

Symbol	Parameter	Test Conditions <sup>(1)</sup>		Min.	Typ. <sup>(2)</sup>	Max.	Unit
$\Delta I_{CC}$	Quiescent Power Supply Current TTL Inputs HIGH	$V_{CC} = \text{Max.}$ $V_{IN} = 3.4V^{(3)}$		—	0.5	1.5	mA
$I_{CCD}$	Dynamic Power Supply Current <sup>(4)</sup>	$V_{CC} = \text{Max.}, \text{Outputs Open}$ $OEAB = \overline{OEBA} = V_{CC} \text{ or GND}$ One Input Toggling 50% Duty Cycle	$V_{IN} = V_{CC}$ $V_{IN} = \text{GND}$	—	75	120	$\mu A/$ MHz
$I_C$	Total Power Supply Current <sup>(6)</sup>	$V_{CC} = \text{Max.}, \text{Outputs Open}$ $f_{CP} = 10\text{MHz (CLKAB)}$ 50% Duty Cycle $OEAB = \overline{OEBA} = V_{CC}$ $LEAB = \text{GND}$ One Bit Toggling $f_i = 5\text{MHz}$ 50% Duty Cycle	$V_{IN} = V_{CC}$ $V_{IN} = \text{GND}$	—	0.8	1.7	mA
			$V_{IN} = 3.4V$ $V_{IN} = \text{GND}$	—	1.3	3.2	
		$V_{CC} = \text{Max.}, \text{Outputs Open}$ $f_{CP} = 10\text{MHz (CLKAB)}$ 50% Duty Cycle $OEAB = \overline{OEBA} = V_{CC}$ $LEAB = \text{GND}$ Eighteen Bits Toggling $f_i = 2.5\text{MHz}$ 50% Duty Cycle	$V_{IN} = V_{CC}$ $V_{IN} = \text{GND}$	—	3.8	6.5 <sup>(5)</sup>	
			$V_{IN} = 3.4V$ $V_{IN} = \text{GND}$	—	8.5	20.8 <sup>(5)</sup>	

### NOTES:

2547 tbl 09

- For conditions shown as Max. or Min., use appropriate value specified under Electrical Characteristics for the applicable device type.
- Typical values are at  $V_{CC} = 5.0V$ ,  $+25^\circ C$  ambient.
- Per TTL driven input ( $V_{IN} = 3.4V$ ). All other inputs at  $V_{CC}$  or GND.
- This parameter is not directly testable, but is derived for use in Total Power Supply Calculations.
- Values for these conditions are examples of the  $I_{CC}$  formula. These limits are guaranteed but not tested.
- $I_C = I_{QUIESCENT} + I_{INPUTS} + I_{DYNAMIC}$   
 $I_C = I_{CC} + \Delta I_{CC} D_H N_T + I_{CCD} (f_{CP} N_{CP} / 2 + f_i N_i)$   
 $I_{CC} = \text{Quiescent Current (} I_{CCL}, I_{CCH} \text{ and } I_{CCZ})$   
 $\Delta I_{CC} = \text{Power Supply Current for a TTL High Input (} V_{IN} = 3.4V)$   
 $D_H = \text{Duty Cycle for TTL Inputs High}$   
 $N_T = \text{Number of TTL Inputs at } D_H$   
 $I_{CCD} = \text{Dynamic Current Caused by an Input Transition Pair (HLH or LHL)}$   
 $f_{CP} = \text{Clock Frequency for Register Devices (Zero for Non-Register Devices)}$   
 $N_{CP} = \text{Number of Clock Inputs at } f_{CP}$   
 $f_i = \text{Input Frequency}$   
 $N_i = \text{Number of Inputs at } f_i$

**SWITCHING CHARACTERISTICS OVER OPERATING RANGE**

Symbol	Parameter	Condition <sup>(1)</sup>	FCT16501AT/162501AT		FCT16501CT/162501CT		FCT16501ET/162501ET				Unit				
			Com'l.		Mil.		Com'l.		Mil.			Com'l.		Mil.	
			Min. <sup>(2)</sup>	Max.	Min. <sup>(2)</sup>	Max.	Min. <sup>(2)</sup>	Max.	Min. <sup>(2)</sup>	Max.		Min. <sup>(2)</sup>	Max.	Min. <sup>(2)</sup>	Max.
f <sub>MAX</sub>	CLKAB or CLKBA frequency <sup>(4)</sup>	CL = 50pF	—	150	—	150	—	150	—	150	—	150	—	—	MHz
t <sub>PLH</sub> t <sub>PHL</sub>	Propagation Delay Ax to Bx or Bx to Ax	RL = 500Ω	1.5	5.1	1.5	5.6	1.5	4.6	1.5	4.6	1.5	3.8	—	—	ns
t <sub>PLH</sub> t <sub>PHL</sub>	Propagation Delay LEBA to Ax, LEAB to Bx		1.5	5.6	1.5	6.0	1.5	5.3	1.5	5.6	1.5	4.2	—	—	ns
t <sub>PLH</sub> t <sub>PHL</sub>	Propagation Delay CLKBA to Ax, CLKAB to Bx		1.5	5.6	1.5	6.0	1.5	5.3	1.5	5.4	1.5	4.2	—	—	ns
t <sub>PZH</sub> t <sub>PZL</sub>	Output Enable Time OEBA to Ax, OEAB to Bx		1.5	6.0	1.5	6.4	1.5	5.6	1.5	6.0	1.5	4.8	—	—	ns
t <sub>PHZ</sub> t <sub>PLZ</sub>	Output Disable Time OEBA to Ax, OEAB to Bx		1.5	5.6	1.5	6.0	1.5	5.2	1.5	5.6	1.5	5.2	—	—	ns
t <sub>SU</sub>	Set-up Time, HIGH or LOW Ax to CLKAB, Bx to CLKBA		3.0	—	3.0	—	3.0	—	3.0	—	2.4	—	—	—	ns
t <sub>H</sub>	Hold Time HIGH or LOW Ax to CLKAB, Bx to CLKBA		0	—	0	—	0	—	0	—	0	—	—	—	ns
t <sub>SU</sub>	Set-up Time HIGH or LOW Ax to LEAB, Bx to LEBA	Clock LOW	3.0	—	3.0	—	3.0	—	3.0	—	2.0	—	—	—	ns
		Clock HIGH	1.5	—	1.5	—	1.5	—	1.5	—	1.5	—	—	—	ns
t <sub>H</sub>	Hold Time, HIGH or LOW Ax to LEAB, Bx to LEBA		1.5	—	1.5	—	1.5	—	1.5	—	0.5	—	—	—	ns
t <sub>w</sub>	LEAB or LEBA Pulse Width HIGH <sup>(4)</sup>		3.0	—	3.0	—	3.0	—	3.0	—	3.0	—	—	—	ns
t <sub>w</sub>	CLKAB or CLKBA Pulse Width HIGH or LOW <sup>(4)</sup>		3.0	—	3.0	—	3.0	—	3.0	—	3.0	—	—	—	ns
t <sub>sk(o)</sub>	Output Skew <sup>(3)</sup>		—	0.5	—	0.5	—	0.5	—	0.5	—	0.5	—	—	ns

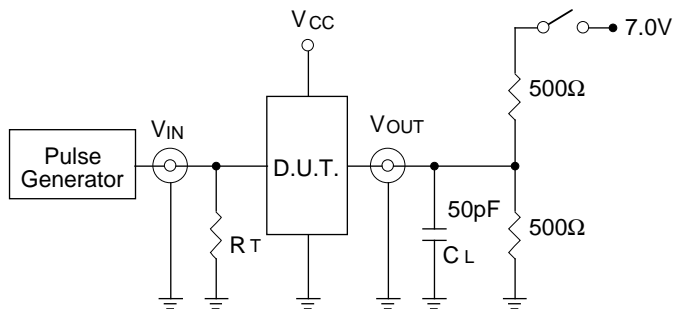
**NOTES:**

1. See test circuits and waveforms.
2. Minimum limits are guaranteed but not tested on Propagation Delays.
3. Skew between any two outputs of the same package switching in the same direction. This parameter is guaranteed by design.
4. This parameter is guaranteed but not tested.

2547 tbl 10

## TEST CIRCUITS AND WAVEFORMS

### TEST CIRCUITS FOR ALL OUTPUTS



2547 drw 04

### SWITCH POSITION

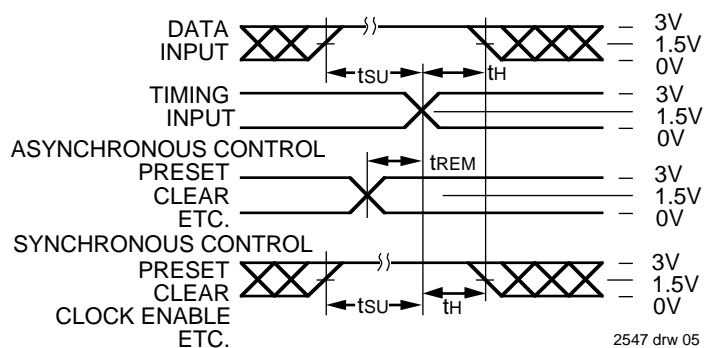
Test	Switch
Open Drain Disable Low Enable Low	Closed
All Other Tests	Open

#### DEFINITIONS:

CL = Load capacitance: includes jig and probe capacitance.  
 RT = Termination resistance: should be equal to ZOUT of the Pulse Generator.

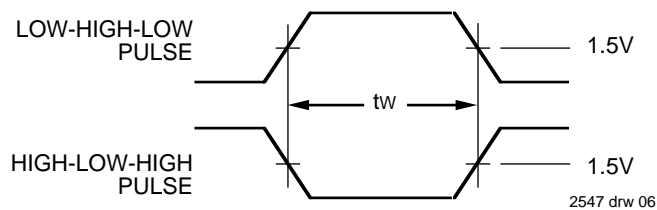
2547 Ink 11

### SET-UP, HOLD AND RELEASE TIMES



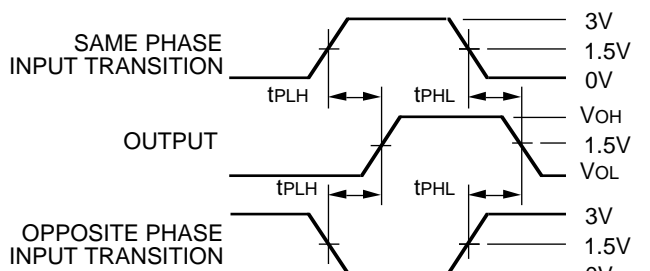
2547 drw 05

### PULSE WIDTH



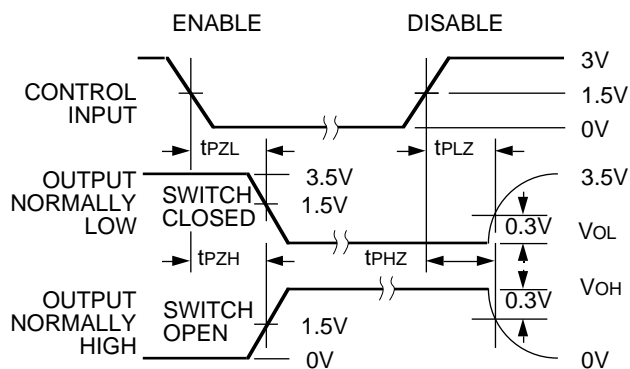
2547 drw 06

### PROPAGATION DELAY



2547 drw 07

### ENABLE AND DISABLE TIMES



2547 drw 08

#### NOTES:

- Diagram shown for input Control Enable-LOW and input Control Disable-HIGH
- Pulse Generator for All Pulses: Rate  $\leq 1.0\text{MHz}$ ;  $t_f \leq 2.5\text{ns}$ ;  $t_r \leq 2.5\text{ns}$



**ORDERING INFORMATION**

<u>IDT X</u> Temperature Range	<u>FCT</u> Drive	<u>X</u> Bus Hold	<u>XXXX</u> Device Type	<u>X</u> Package	<u>X</u> Process		
						Blank	
						B	Commercial MIL-STD-883, Class B
						PV	Shrink Small Outline Package (SO56-1)
						PA	Thin Shrink Small Outline Package (SO56-2)
						PF	Thin Very Small Outline Package (SO56-3)
						E	CERPACK (E56-1)
						501AT	Non-Inverting 18-Bit Registered Transceiver
						501CT	
						501ET	
H	Standard Bus Hold						
						16	
						162	16-Bit High Drive 16-Bit Balanced Drive
						54	
						74	-55°C to +125°C -40°C to +85°C

2547 drw 09