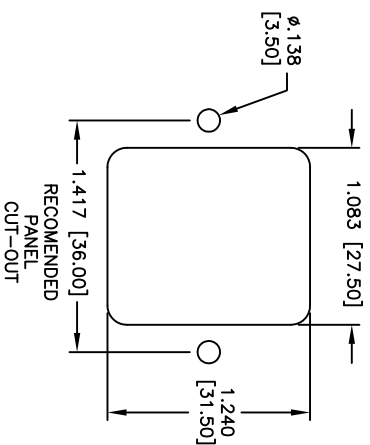
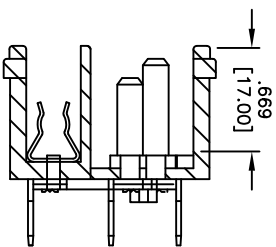
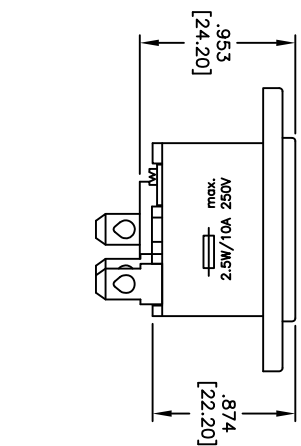
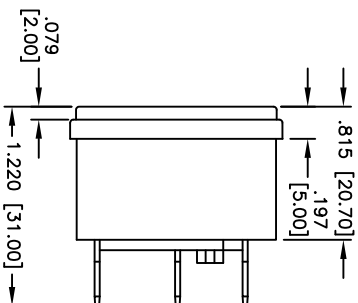
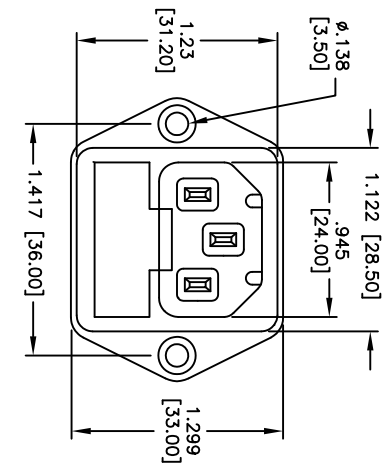


APPROVED: _____
 DATE: _____ TITLE: _____

Rev	AWO #	Description	Date	Appr
-		RELEASED	09/22/04	
A		REVISED MARK	2/24/10	



SPECIFICATIONS:

Material: Insulator: Polycarbonate or Nylon 66, glass filled, rated UL94V-0
 Insulator Color: Black
 Contacts: Phosphor Bronze or Brass
 Plating: Nickel over copper underplate.
 Electrical: Operating Voltage: 250V AC
 Current Rating: UL & CSA: 15 Amps Max.
 VDE: 10 Amps Max.
 Insulation Resistance: 100 MΩ Min. @ 500V DC
 Dielectric Withstanding Voltage: 2000V AC for 1 Minute
 Temperature Rating: Operation Temperature: -25°C ~ +70°C



UNLESS OTHERWISE SPECIFIED ALL DIMENSIONS ARE INCHES [MM]	
TOLERANCES: EXCEPT AS NOTED	
INCHES	MM
.X ± .10	ØXX ± .10
.XX ± .020	ØXXX ± .015
.XXX ± .015	ØXXXX ± .010
APPROVALS	DATE
DRAWN	BAS
CHECKED	
APPROVED	

ADAM TECH
 909 Rahway Avenue, Union, NJ 07083
 Phone: 908-687-5000 Fax: 908-687-5710
 TITLE: IEC connector, F body, .187 Quick
 Connect terminals

SIZE	PART NO.	REV.
X	IEC-F-1	A
REF: S0037T	SCALE: NTS	SHEET 1 OF 1