

General Description

The ILC7010 is an 80mA, Ultra Low Noise, Low Dropout (LDO) linear regulator, designed and processed in Impala's proprietary CMOS process technology. This process combines the best CMOS features of low quiescent current, small size and low dropout voltage with the best bipolar features of high ripple rejection, ultra low noise and power handling capability. The ILC7010 offers a quiescent current of less than 100mA, a logic level enable (regulator on/off) pin, a footprint that is half the size of the industry standard SOT-23, and a low dropout voltage of 50mV at 10mA. With better than 70dB (1kHz) of ripple rejection, ultra low noise of $20\mu\text{V}_{\text{RMS}}$ and 1% output voltage accuracy, the ILC7010 sets a new standard in linear regulators for communications and personal electronics applications.

The ILC7010 is designed to operate with small, low cost ceramic capacitors and is stable over a wide range of ESR values. In addition to the output capacitor, the ILC7010 requires only a $1\mu\text{F}$ input capacitor. The enable pin can be tied to V_{IN} for easy device layout. The ILC7010 is available in a number of fixed output voltages ranging from 2.5V to 8V. An adjustable version will be available shortly. For competitive replacements, the ILC7080 is available in a variety of pinout options in a SOT-23 package. The ILC7080 offers the same operating characteristics and features as the ILC7010

The ILC7010 is ideally suited for use in small size cordless and cellular handsets as well as many other low battery powered electronic devices. Please contact Impala for samples and application information.

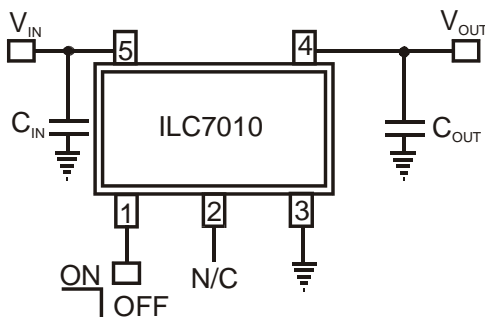
Features

- 1% output voltage accuracy
- Only $20\mu\text{V}_{\text{RMS}}$ noise @ 10kHz
- Uses low ESR ceramic or tantalum output capacitor to minimize noise and output ripple
- Only $90\mu\text{A}$ ground current at 80mA load
- Ripple rejection up to 70dB at 1kHz, 60dB at 1MHz
- Excellent line and transient response
- Guaranteed to 80mA output current
- Industry standard five lead SC70 packages
- Fixed 2.8V, 3.0V, 3.3V, 3.6V, 4.7V, 5.0V and adjustable output voltage options
- Metal mask option available for custom voltages between 2.5V and 10V

Applications

- Cellular phones
- Wireless communicators
- PDAs / palmtops / organizers
- Battery powered portable electronics

TYPICAL CIRCUIT



Ordering Information

($T_A = 0^{\circ}\text{C}$ TO 70°C)

ILC7010-C5-XX

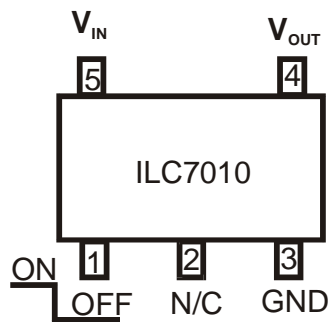
80mA, fixed voltage, SC-70 Package

Note: Fixed voltage options are defined by 2-digit code as shown in the package markings information section of the data sheet.

Pin Description ILC7010 (fixed voltage version)

Pin Description	Pin Name	Pin Description
1	ON/OFF	Shutdown
2	N/C	
3	GND	Ground pin. Local ground for C_{OUT}
4	V_{OUT}	Output voltage. Connect C_{OUT} between this pin and the GND (pin 3)
5	V_{IN}	Connect Directly to Supply

PIN PACKAGE CONFIGURATIONS



Parameter	Symbol	Ratings	Units
Input voltage 7010	V_{IN}	-0.3 to +9V	V
ON/OFF Input Voltage	$V_{ON/OFF}$	-0.3 to V_{IN}	V
Output Current	I_{OUT}	Short Circuit Protected	mA
Output Voltage	V_{OUT}	-0.3 to $V_{IN} + 0.3$	V
Package Power Dissipation	P_D	TBD	mW
Maximum Junction Temp. Range	$T_{J(MAX)}$	-40 to +125	°C
Storage Temperature	T_{STG}	-40 to +125	°C
Operation Ambient Temperature	T_A	-40 to +85	°C

ELECTRICAL CHARACTERISTICS ILC7010

Unless otherwise specified, all limits are at $T_A=25^\circ\text{C}$, $V_{IN} = V_{OUT}(\text{NOM}) + 1\text{V}$, $I_{OUT} = 1\text{mA}$, $C_{OUT} = 1\mu\text{F}$, $V_{ON/OFF} = 2\text{V}$

Parameter	Symbol	Conditions	Typ	Units	
Input Voltage Range	V_{IN}		2.5-8	V	
Output Voltage Accuracy	$\Delta V_{OUT}/(V_{OUT} * \Delta V_{IN})$		± 1	%	
Line Regulation		$V_{OUT}(\text{NOM} + 1\text{V} \leq 8\text{V})$	0.007	%/V	
Dropout Voltage (Note 3)	$V_{IN} V_{OUT}$	$I_{OUT} = 10\mu\text{A}$	0.1	mV	
		$I_{OUT} = 10\text{mA}$	50		
		$I_{OUT} = 20\text{mA}$	70		
		$I_{OUT} = 80\text{mA}$	235		
Ground Pin Current	I_{GND}	$I_{OUT} = 0\text{mA}$	66	μA	
		$I_{OUT} = 10\text{mA}$	67		
		$I_{OUT} = 80\text{mA}$	90		
Shutdown (OFF) Current	$I_{ON/OFF}$	$I_{ON/OFF} = 0\text{V}$	0.1	μA	
ON/OFF Input Voltage	$V_{ON/OFF}$	High = Regulator On Low = Regulator Off	1.5-2.0 0.6	V	
ON/OFF Pin Input Current (Note 5)	$I_{IN \text{ ON/OFF}}$	$V_{ON/OFF} = 0.6\text{V}$ Regulator OFF $V_{ON/OFF} = 2\text{V}$ Regulator ON	0.3 1	μA	
Peak Output Current (Note 4)	$I_{IN (\text{peak})}$	$V_{OUT} \geq 0.95V_{OUT (\text{NOM})}$, $t_{pw} = 2\text{ms}$	100-120	mA	
Output Noise Voltage (RMS)	e_N	BW = 300Hz to 50kHz, $C_{IN} = 1\mu\text{F}$ $C_{NOISE} = 0.01\mu\text{F}$, $C_{OUT} = 2.2\mu\text{F}$, $I_{OUT} = 10\text{mA}$	TBD	μVRMS	
Ripple Rejection	$\Delta V_{OUT}/\Delta V_{IN}$	$C_{OUT} = 4.7\mu\text{F}$ $I_{OUT} = 100\text{mA}$	Freq = 1kHz	70	dB
			Freq = 10kHz	50	
			Freq = 1MHz	65	
Dynamic Line Regulation	$\Delta V_{OUT (\text{line})}$	V_{IN} : $V_{OUT (\text{NOM})} + 1\text{V}$ to $V_{OUT (\text{NOM})} + 2\text{V}$, $tr/tf = 2\mu\text{s}$; $I_{OUT} = 80\text{mA}$	14	mV	
Dynamic Load Regulation	$\Delta V_{OUT (\text{load})}$	I_{OUT} : 1mA to 80mA; $tr < 5\text{mS}$	40	mV	
Short Circuit Current	I_{SC}	$V_{OUT} = 0\text{V}$	200	mA	
Resistance Shutdown Discharge			1.5	k Ω	

Note 1: Absolute maximum ratings indicate limits which when exceeded may result in damage to the component. Electrical specifications do not apply when operating the device outside of its rated operating conditions.

Note 2: Specified Min/Max limits are production tested or guaranteed through correlation based on statistical control methods. Measurements are taken at constant junction temperature as close to ambient as possible using low duty pulse testing.

Note 3: Dropout voltage is defined as the input to output differential voltage at which the output voltage drops 2% below the nominal value measured with a 1V differential.

Note 4: Guaranteed by design

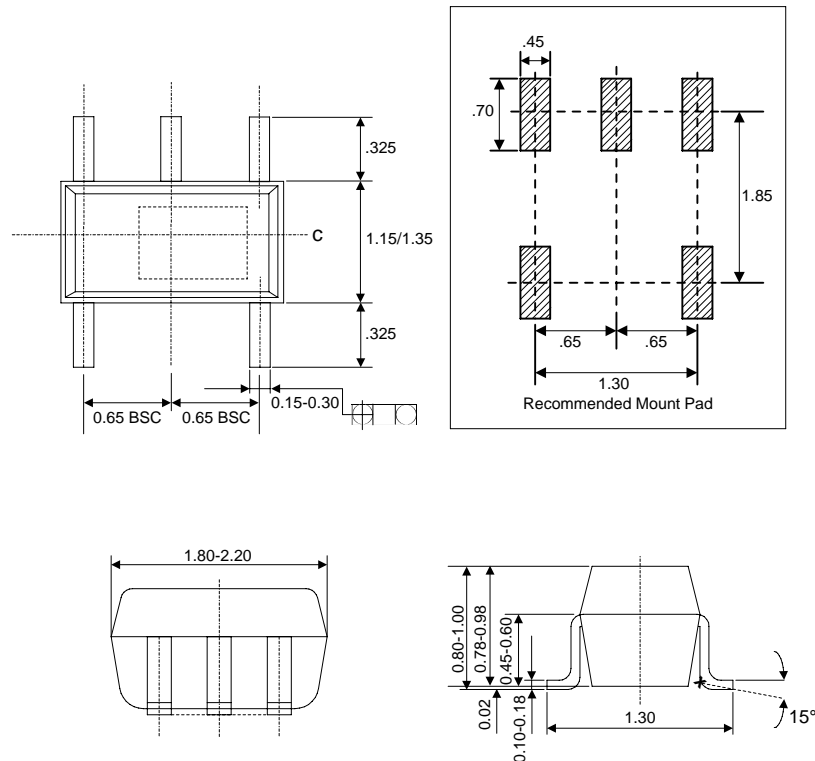
Note 5: The device's shutdown pin includes a 2M Ω internal pull down resistor connected to ground.

SC-70 Package Markings

ILC7010C5-xx

Output Voltage (V)	Grade	Order Information	Supplied As:
2.8	A	ILC7010C5-28	3K Units on Tape and Reel
3.0	A	ILC7010C5-30	3K Units on Tape and Reel
3.3	A	ILC7010C5-33	3K Units on Tape and Reel
3.6	A	ILC7010C5-36	3K Units on Tape and Reel
4.7	A	ILC7010C5-47	3K Units on Tape and Reel
5.0	A	ILC7010C5-50	3K Units on Tape and Reel

*NOTE: First two characters identify the product and the last two characters identify the datecode.



1. All dimensions are in millimeters min/max
2. Dimensions are inclusive of plating
3. Dimensions are exclusive of mold flash and metal burr
4. All specifications comply to EIAJ SC70

Devices sold by Impala Linear Corporation are covered by the warranty and patent indemnification provisions appearing in its Terms of Sale only. Impala Linear Corporation makes no warranty, express, statutory, implied, or by description regarding the information set forth herein or regarding the freedom of the described devices from patent infringement. Impala Linear Corporation makes no warranty of merchantability or fitness for any purpose. Impala Linear Corporation reserves the right to discontinue production and change specifications and prices at any time and without notice.

This product is intended for use in normal commercial applications. Applications requiring an extended temperature range, unusual environmental requirements, or high reliability applications, such as military and aerospace, are specifically not recommended without additional processing by Impala Linear Corporation.

Impala Linear Corporation assumes no responsibility for the use of any circuitry other than circuitry embodied in an Impala Linear Corporation product. No other circuits, patents, licenses are implied.

Life Support Policy

Impala Linear Corporation's products are not authorized for use as critical components in life support devices or systems.

1. Life support devices or systems are devices or systems which, (a) are intended for surgical implant into the body, or (b) support or sustain life, and whose failure to perform, when properly used in accordance with instructions for use provided in the labelling, can be reasonably expected to result in a significant injury to the user.
2. A critical component is any component of a life support device or system whose failure to perform can be reasonably expected to cause the failure of the life support device or system, or to affect its safety or effectiveness.