



intelligent motion systems, inc.

Excellence in Motion™

# **IM2000S**

**HIGH PERFORMANCE MICROSTEPPING STEP MOTOR CONTROLLER**

**IM2000S - ULTRA SMALL 64 PIN QFP**

**OPERATING INSTRUCTIONS**

# Table of Contents

<b>Introduction to the IM2000S</b> .....	<b>3</b>
Section Overview .....	3
The IM2000S .....	3
Features And Benefits .....	4
<b>Hardware Specifications</b> .....	<b>5</b>
Section Overview .....	5
Mechanical Specifications .....	5
Electrical & Environmental Specifications .....	6
IM2000S Pin Description .....	7
<b>Operation of the IM2000S</b> .....	<b>8</b>
Section Overview .....	8
Protection Inputs .....	8
Microstep Select (MSEL) Inputs .....	9
Step/Direction Inputs .....	9
Chip Select (CSEL) Input .....	10
Full Step Output .....	10
Dual PWM .....	10
Power Control Outputs .....	11
Current Control .....	12
Chopping Oscillator .....	13
Reset .....	13
External Lookup Table .....	13
Buss/Stand-alone Mode .....	14
Typical Application .....	15

## List of Figures

Figure 1.1: IM2000S (2.5 Times Actual Size) .....	3
Figure 1.2: Block Diagram .....	4
Figure 2.1: Mechanical Specifications .....	5
Figure 3.1: Overcurrent Protection .....	8
Figure 3.2: Thermal Protection .....	8
Figure 3.3: Recirculating PWM .....	10
Figure 3.4: Non-Recirculating PWM .....	11
Figure 3.5: Power Control Output Relationships .....	11
Figure 3.6: Power Control Output Interface Examples .....	12
Figure 3.7: Digital Current Control Example .....	12
Figure 3.8: Automatic Current Reduction .....	12
Figure 3.9: Oscillator Frequency Settings .....	13
Figure 3.10: Block Diagram - External Lookup Table .....	14
Figure 3.11: $\overline{WR}$ Input Timing .....	14
Figure 3.12: Schematic (Typical Application) .....	15

## List of Tables

Table 2.1: DC Electrical Specifications .....	6
Table 2.2: AC Electrical Specifications .....	6
Table 2.3: Absolute Maximum Ratings .....	6
Table 2.4: Recommended Operating Conditions .....	6
Table 2.5: IM2000S Pin Description .....	7
Table 3.1: Microstep Resolution Settings .....	9
Table 3.2: Chip Select Settings .....	10
Table 3.3: Current Control Mode Settings .....	11
Table 3.4: External Lookup Table (Example Address Locations) .....	13

# Section 1

---

## *Introduction to the IM2000S*

---

### Section Overview

This section will introduce the user to the feature set provided by the IM2000S Microstepping controller ASIC. The following subsections are contained:

- The IM2000S Described
- Features and Benefits
- Block Diagram

---

### The IM2000S

The IM2000S is a high performance microstepping step motor controller that incorporates a sine/cosine signal generator, anti-resonance circuitry, PWM current control and much more in one monolithic IC. The IM2000S combines hardware intense functions together with innovative features to provide designers with a powerful yet simple solution for their high volume OEM products.

Never before has any motion product integrated all the digital control into one monolithic IC. This high degree of integration can significantly reduce design time as well as driver size.

Beyond the integration of a complete microstepping control system, the IM2000S has unique features that give designers unprecedented control over motor movement. These features include 14 selectable resolutions (in both decimal and binary) that can be changed at any time without motor movement interruption. There is no need to reset the controller. This allows the user to rapidly move long distances, yet precisely position the motor at the end of travel without the need or expense of a complex controller.

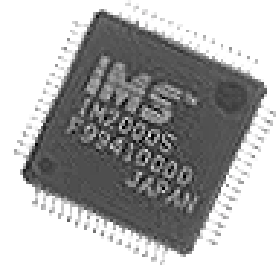
Another valuable feature is an “On Full Step” output which indicates when the motor is at an electrical full step. This output can be used to reduce the overhead needed to track position when making long moves.

The development of proprietary circuits has minimized ripple current, while maintaining a 20 KHz chopping rate. This prevents additional motor heating that is common with drivers requiring higher chopping rates. Now low inductance stepper motors can be used to improve high speed performance and peak system efficiency.

The IM2000S needs only clock and direction inputs to control the motor and will interface directly to discrete bridges or common monolithic bridge ICs.

Designers can now place drivers directly on their PC boards with all the necessary control in the IM2000S chip's ultra small 64 pin QFP package.

Size, price and time-to-market are three crucial aspects in today's competitive markets and the IM2000S offers the ability to reduce all three.



*Figure 1.1: The IM2000S  
(2.5 times actual size.)*

# Features And Benefits

- Complete Microstepping Control System with the IM2000S 64 Pin QFP
- Up to 10MHz Step Clock Rate
- Internal Sine/Cosine Generator
- PWM Phase Current Control
- Minimal External Components
- Automatic Current Reduction
- 14 Selectable Resolutions — Both in Decimal and Binary
- Number of Microsteps Per Step can be Changed On-The-Fly Without Motor Movement Interruption
- Up to 51,200 Steps/Rev
- Standalone or Buss Modes
- Single 5V Power Supply
- Short Circuit and Over Temperature Protection Inputs
- Fault Output
- On Full Step Output
- Anti-Resonance

# Block Diagram

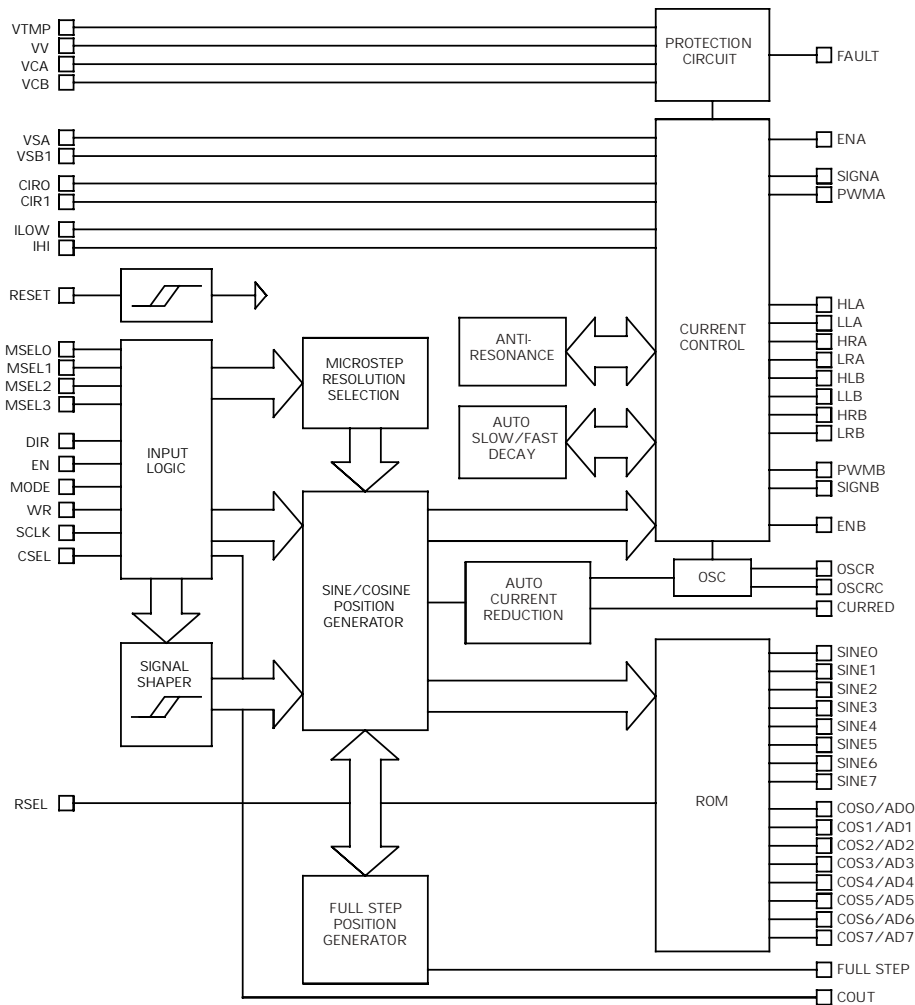


Figure 1.2: IM2000S Block Diagram

# Section 2

## Hardware Specifications

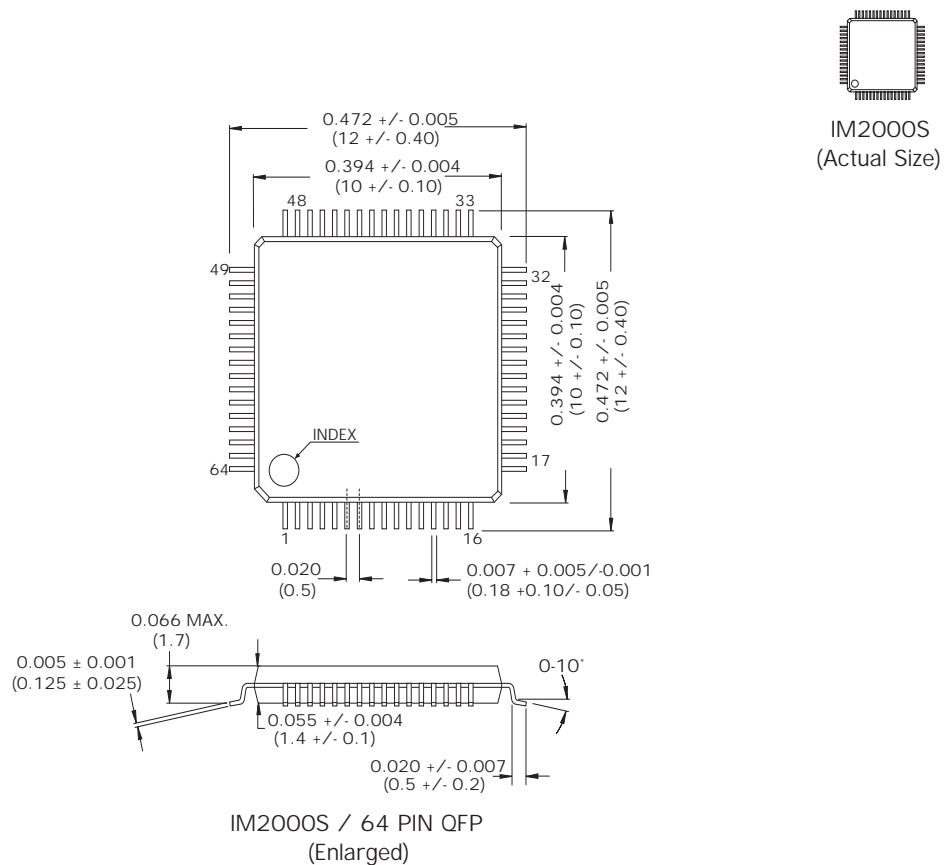
### Section Overview

This section covers the hardware specifications of the IM2000S. Covered are:

- Mechanical Specifications
- Electrical Specifications
- Pin Description

### Mechanical Specifications

*IM2000S - 64 Pin Ultra-Small QFP*



**Figure 2.1: IM2000S Mechanical Specifications**

# Electrical & Environmental Specifications

Test Condition:  $V_{DD} = +5.0 \pm 10\%$ ,  $T_{OPR} = 25\text{ }^{\circ}\text{C}$

Symbol	Parameter	Conditions	Min.	Typical	Max.	Units
$V_{IL}$	Low level input voltage				0.8	V
$V_{IH}$	High level input voltage		2.0			V
$V_{T+}$	Schmitt trigger positive going threshold voltage	$V_{DD} = 5.0$		3.0		V
$V_{T-}$	Schmitt trigger negative going threshold voltage	$V_{DD} = 5.0$	0.6			V
$V_H$	Schmitt trigger hysteresis voltage	$V_{DD} = 5.0$	0.1			V
$I_{IL}$	Low level input current	$V_{IN} = V_{SS}$			1.0	mA
$I_{IH}$	High level input current	$V_{IN} = V_{DD}$			1.0	mA
$V_{OL}$	Low level output voltage				$V_{SS} + 0.4$	V
$V_{OH}$	High level output voltage		$V_{DD} - 0.4$			V
$I_{OL}$	Low level output current				-6.0	mA
$I_{OH}$	High level output current				3.0	mA
$I_{CC}$	Supply current				20	mA

**Table 2.1: DC Electrical Specifications**

Symbol	Parameter	Min.	Typical	Units
$t_{RW}$	RESET pulse width	200		nS
$t_S$	MSEL, SCLK setup time		100	nS
$t_{SW}$	SCLK pulse width		10	nS
$t_{WR}$	WR pulse width		20	nS
$t_{WH}$	Data hold time after WR	0		nS
$f_{PWM}$	PWM chopping frequency		20	KHz
$f_{CLK}$	SCLK input frequency		10	MHz

**Table 2.2: AC Electrical Specifications**

Parameter	Symbol	Limits	Units
DC Supply Voltage	$V_{DD}$	$V_{SS} - 0.3$ to $+7.0$	V
Input Voltage	$V_{IN}$	$V_{SS} - 0.3$ to $V_{DD} + 0.3$	V
Output Voltage	$V_{OUT}$	$V_{SS} - 0.3$ to $V_{DD} + 0.3$	V
Storage Temp.	$T_{STG}$	-65 to +150	$^{\circ}\text{C}$

**Table 2.3: Absolute Maximum Ratings**

Parameter	Symbol	Min.	Typ	Max.	Units
DC Supply Voltage	$V_{DD}$	4.5	5.0	5.5	V
Input Voltage	$V_{IN}$	$V_{SS}$		$V_{DD}$	V
Operating Temp.	$T_{OPR}$	-20		85	$^{\circ}\text{C}$

**Table 2.4: Recommended Operating Conditions**

# IM2000S Pin Description

64Pin QFP	NAME	Pin Function
59	SCLK	Step clock input. A positive going edge on this input will advance the motor one increment (the size of the increment is dependent on the microstep select inputs).
52	RSEL	ROM select input. When low, this input selects the internal sine/cosine ROM. When high, AD0-AD7 are selected for use with an external lookup table.
57	RESET	Reset input. When low, this input will reset the IM2000 (PWM, Enable, and Full Bridge outputs will be disabled). When released, the controller will be at its initial state (sine at 0, cosine at peak).
60	DIR	Direction input. This input is used to change the direction of the motor. Physical direction also depends on the connection of the motor windings.
53	CSEL	Clock select input. When low, the SCLK input will be directed to the internal sine/cosine generator independent of the level of the EN input. When high, the SCLK input will be directed to the COUT output when the EN input is low and, conversely, to the internal sine/cosine generator when the EN input is high.
61	EN	Enable input. When low, this input will enable/disable the PWM and full bridge output signals.
62	FSTEP	On fullstep output signal. This active low output indicates when the IM2000's sine & cosine outputs are positioned on a full step.
63	FAULT	Fault output signal. This active high output indicates when a fault has occurred. It will stay active until the IM2000 is reset.
64	WR	Write input. When the IM2000 is configured in the buss mode, this input is used to latch in the microstep select, enable, and direction inputs.
1	MODE	Mode select input. This input is used to configure the IM2000 in a stand alone or buss mode.
45, 2	PWMA, PWMB	Phase A and Phase B pulse width modulated output signals. These outputs can be used to control the phase currents in common PWM type power sections.
44, 3	SIGNA, SIGNB	Sign of A and sign of B output signals. These outputs indicate the sign of the sine and the sign of the cosine.
43, 4	ENA, ENB	Phase A and Phase B enable output signals. These active high outputs, which work in conjunction with the enable input of PIN 6, can be used to enable/disable the power section of the driver.
38, 39, 41, 42	HRA, LRA, LLA, HLA	Phase A high side and low side full bridge control signals. These outputs can be used to control discrete P-N or N-N full bridge sections or half and full bridge IC's.
5, 6, 8, 9	HLB, LLB, LRB, HRB	Phase B high side and low side full bridge control signals. These outputs can be used to control discrete P-N or N-N full bridge power sections or half and full bridge IC's.
12-19	COS0-COS7	Cosine waveform output signals for Phase B.
28-35	SIN7-SIN0	Sine waveform output signals for Phase A.
47	IHI	Polarity select input for active high or active low high side full bridge control outputs.
46	ILOW	Polarity select input for active high or active low low side full bridge control outputs.
36, 11	VSA, VSB	Phase A and Phase B current sense inputs.
37, 10	OVCA, OVCB	Phase A and Phase B over current/short circuit protection inputs.
20	CURRED	Automatic current reduction output signal. This active high output is used to automatically reduce the driver output current typically 0.5 seconds after the last step clock input.
22, 23	OSCR0, OSCRC	Resistor/capacitor inputs for on-board PWM oscillator.
24	OVV	Over voltage protection input.
26	OVTMP	Over temperature protection input.
25, 58	VCC	Supply voltage
7, 21, 40, 54	GND	Ground.
48-51	MSEL0-MSEL3	Microstep resolution select inputs. These inputs are used to select the number of microsteps per full step. The available resolutions (microsteps/step) are: 2, 4, 5, 8, 10, 16, 25, 32, 50, 64, 125, 128, 250, 256.
12-19	AD0-AD7	Address 0 –Address 7 on IM2000S. These outputs are used in conjunction with external lookup tables for user supplied sine and cosine curves.
27	COUT	SCLK output. This output is dependent on the CSEL and EN inputs.
55, 56	CIR0, CIR1	PWM circulation select inputs. These inputs are used to select whether or not the PWM will be in a recirculating or a non-recirculating mode, or an automatic recirculating and non-recirculating mode.

**Table 2.5: IM2000S Pin Description**

# Section 3

## Operation of the IM2000S

### Section Overview

This section covers the operation of the various circuits contained within the IM2000S Microstepping Controller ASIC. These are:

- Protection Inputs
- Microstep Select (MSEL) Inputs
- Step/Direction Inputs
- Chip Select (CSEL) Input
- Full Step Output
- Dual PWM
- Power Control Outputs
- Controlling the Output Current
- Chopping Oscillator
- Reset Input
- External Look-up Table
- Buss/Standalone Mode

### Protection Inputs

The IM2000S has four inputs which will disable the PWM and driver control outputs to protect against external faults. These inputs include:

- Over Temperature
- Phase A and Phase B Short Circuit
- Over Voltage

All four inputs are buffered using Schmitt triggered buffers and are internally AND'ed together. These inputs may be used independently or tied together for wired OR'ed protection circuits. Unused inputs must be tied to a logic HIGH state.

Upon detection of a fault condition the IM2000S will latch the condition and set the fault output pin to a logic HIGH state. At this time the phase control outputs, phase enable outputs and PWM are disabled. The IM2000S must be reset by either pulling the reset input LOW, or cycling power to clear the fault condition and re-enable the PWM and driver control outputs. Figures 3.1 and 3.2 illustrate possible application/interface of the overcurrent and over temperature inputs.

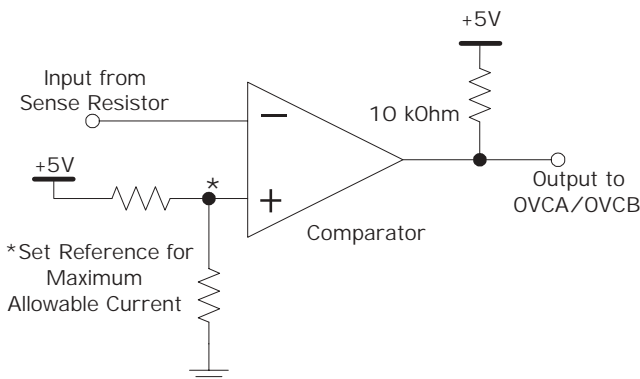


Figure 3.1: Overcurrent Protection Example

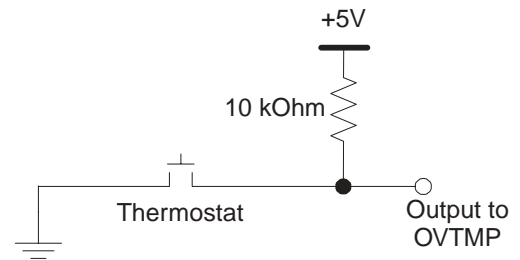


Figure 3.2: Thermal Protection Example



# Microstep Select (MSEL) Inputs

The Microstep Select inputs are used to select the number of fractional steps per full step that the IM2000S will output to the motor. These inputs are buffered using Schmitt trigger buffers to increase noise immunity. There are 14 different selections built into the IM2000S. Table 3.1 shows the list of resolutions and their relationship to the state of the MSEL inputs.

A unique feature of the IM2000S is the ability to change resolutions at any time. A resolution change can occur whether the motor is being clocked or is at rest. The change will not take place until the rising edge of the next step clock input. At this time, the new resolution is latched and implemented before the step clock pulse takes affect.

If a resolution is chosen such that the sine/cosine output of the IM2000S would not land on an electrical fullstep of the motor, then the IM2000S will automatically align itself to the full step position on the step clock pulse that would have caused the motor to rotate past the full step. The step clock pulses, from that point forward will be equal to the selected resolution. This feature allows the user to switch resolutions at any time without having to keep track of sine/cosine location. The user can now easily track position utilizing the full step output signal.

The capability of changing resolutions on-the-fly allows for high speed slewing where bandwidth is limited, as is the case with many single chip microcontrollers. The user may switch to a coarser resolution during long moves for increased speed, then change to a finer resolution for precise positioning at the end of travel.

**Truth Table: Resolution Select Inputs -Binary Mode**

Microsteps per Full Step	MSEL 3	MSEL 2	MSEL 1	MSEL 0
2	0	0	0	0
4	0	0	0	1
8	0	0	1	0
16	0	0	1	1
32	0	1	0	0
64	0	1	0	1
128	0	1	1	0
256	0	1	1	1

**Truth Table: Resolution Select Inputs - Decimal Mode**

Microsteps per Full Step	MSEL 3	MSEL 2	MSEL 1	MSEL 0
5	1	0	0	0
10	1	0	0	1
25	1	0	1	0
50	1	0	1	1
125	1	1	0	0
250	1	1	0	1

**Invalid Microstep Resolution Settings**

Microsteps per Full Step	MSEL 3	MSEL 2	MSEL 1	MSEL 0
xxxxxxx	1	1	1	0
xxxxxxx	1	1	1	1

*Table 3.1: Microstep Resolution Settings*

# Step/Direction Inputs

The IM2000S contains a built-in sine/cosine generator used for the generation of Phase A and Phase B position reference. This digitally encoded 9 bit sine and 9 bit cosine signal is directly fed into a digital-to-analog converter.

The step clock (SCLK) and direction (DIR) inputs are buffered using Schmidt triggered buffers for increased noise immunity and are used to increment or decrement the sine/cosine position generator. The position generator is updated on the rising edge of the step clock input. It will increment or decrement by the amount specified by the microstep resolution select (MSEL) inputs.

The direction (DIR) input determines the direction of the position generator and hence the direction of the motor. The DIR input is synchronized to the SCLK input. On the rising edge of the SCLK input, the state of the DIR input is latched in. The position generator will then look to see if there has been a change in direction and implement that change before executing the next step. By utilizing this method to implement the direction change, the noise immunity is greatly increased and no physical change in the motor occurs if the direction line is toggled prior to the step clock input.

The enable/disable input does not affect the step clock input. The sine/cosine generator will continue to update if a signal is applied to the step clock input. The IM2000S outputs both sine and cosine data simultaneously when applying a step clock input. Dual internal look-up tables are used to output a unique position for every step clock input to enhance system performance.

## Chip Select (CSEL) Input

The CSEL input is used to select a number of functions that are implemented using the MSEL0 and MSEL1 inputs. If CSEL is low, or not connected, MSEL0 and MSEL1 will function as microstep select lines as explained earlier.

If CSEL is high, MSEL0 and MSEL1 may be used to:

- Reset the IM2000S.
- Disable the PWM and driver control outputs.
- Channel the Step Clock Input to COUT.

The relationship between the MSEL0 and MSEL1 inputs and these special functions are illustrated in Table 3.2.

CSEL Settings		
MSEL1	MSEL0	Function
0	0	SCLK to COUT
0	1	SCLK to COUT
1	0	Reset Controller
1	1	Disable Outputs

Table 3.2: Chip Select Settings

## Full Step Output

This active high output indicates when the motor is electrically on a full step (the poles of the motor are aligned). This occurs when either the sine or cosine outputs are at zero.

This signal may be used to greatly reduce the overhead needed to monitor position, decreasing the number of counts needed to track position. By utilizing the full step output it is no longer necessary to keep track of the number of microsteps between steps on moves until the last fractional step. With the full step output, it is possible to track position as a combination of full steps plus the number of microsteps occurring after the last full step.

In the case of long moves at high resolutions this feature will reduce the position counter size and the overhead associated with updating/monitoring the position counter.

## Dual PWM

The IM2000S contains a unique dual PWM circuit that efficiently and accurately regulates the current in the windings of a two phase stepping motor. The internal PWM accomplishes this by using an alternating recirculating/non-recirculating mode to control the current.

### Recirculating

In a recirculating PWM, the current in the windings is contained within the output bridge while the PWM is in its OFF state (after the set current is reached). This method of controlling the current is efficient when using low inductance motors, but lacks response because of its inability to remove current from the windings on the downward cycle of the sine/cosine wave (See Figure 3.3).

### Non-Recirculating

In a non-recirculating PWM, the current flows up through the bridge and back to the supply in the OFF phase of the cycle. This method of controlling current allows for much better response but reduces efficiency and increases current ripple, especially in lower inductance motors (See Figure 3.4).

The IM2000S PWM utilizes the best features of both by combining recirculating and non-recirculating current control. On the rising edge of the sine/cosine waveform, the PWM will always be in a recirculating mode. This mode allows the driver to run at peak efficiency while maintaining minimum current ripple even with low inductance motors. On the downward cycle of the sine/cosine waveform, the PWM operates in a two part cycle. In the first part of its cycle the PWM is in a non-recirculating mode to pull current from the motor windings. In the second part of the cycle the PWM reverts back to recirculating mode to increase efficiency and reduce current ripple.

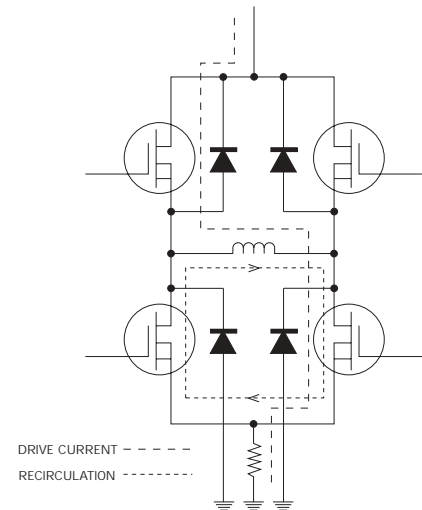


Figure 3.3: Recirculating PWM

The IM2000S will automatically change the non-recirculating pulse widths to compensate for changes in supply voltage and accommodate a wide variety of motor inductances. This method also allows for the use of very low inductance motors, while utilizing a 20kHz chopping rate which reduces motor heating but maintains high efficiency and low current ripple.

### Fixed PWM Type

The internal PWM in the IM2000S may also be placed in a fixed recirculating or non-recirculating mode by the use of the CIR0 and CIR1 inputs. The relationship between the states of the CIR0 and CIR1 inputs and the method of current control is shown in Table 3.3.

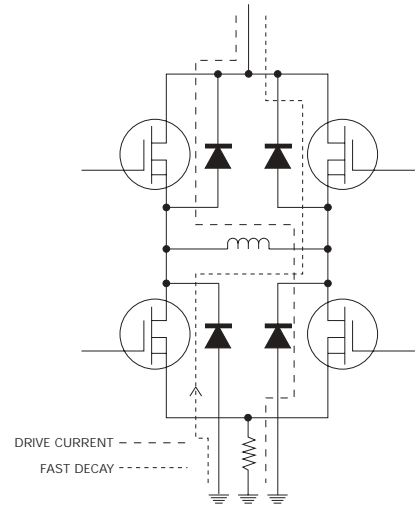


Figure 3.4: Non-Recirculating PWM

PWM Current Control Modes		
CIR1	CIR0	PWM Type
0	0	Auto-Recirculating
1	0	Fast Decay (Non-Recirculating)
0	1	Slow Decay (Recirculating)
1	1	Fast Decay (Non-Recirculating)

Table 3.3: Current Control Mode Settings

## Power Control Outputs

The relationship between the Sine\Cosine, Power Section Control and PWM outputs of the IM2000S is illustrated in Figure 3.5. When either the sine or cosine is at 0, the enable and all drive control outputs for that particular phase will be turned off to improve accuracy.

The inputs IHI and ILOW to the IM2000S are used to invert the polarity of the high side and low side driver control signals respectively. These inputs have no effect on the sign, EN, and PWM output signals.

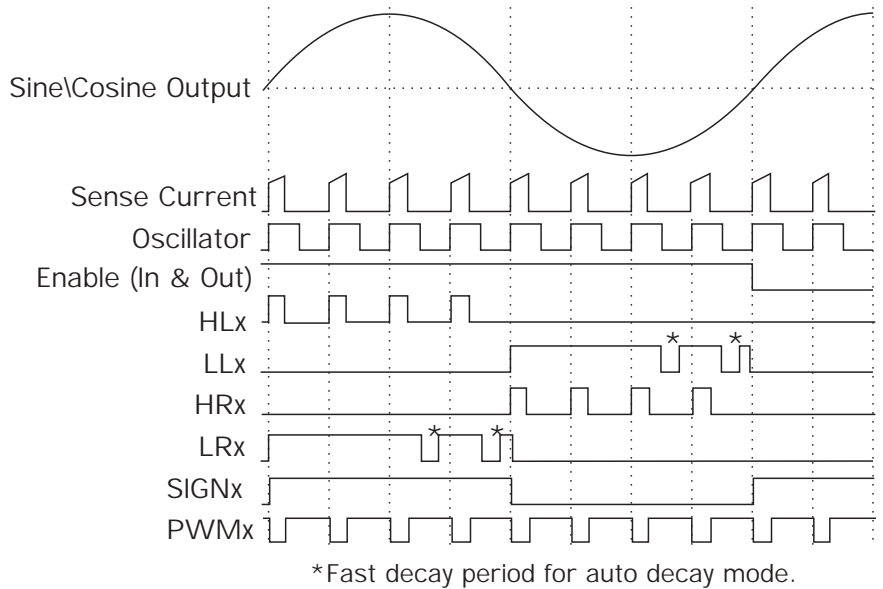


Figure 3.5: Power Control Output Relationships

## Example Application of the Power Control Outputs

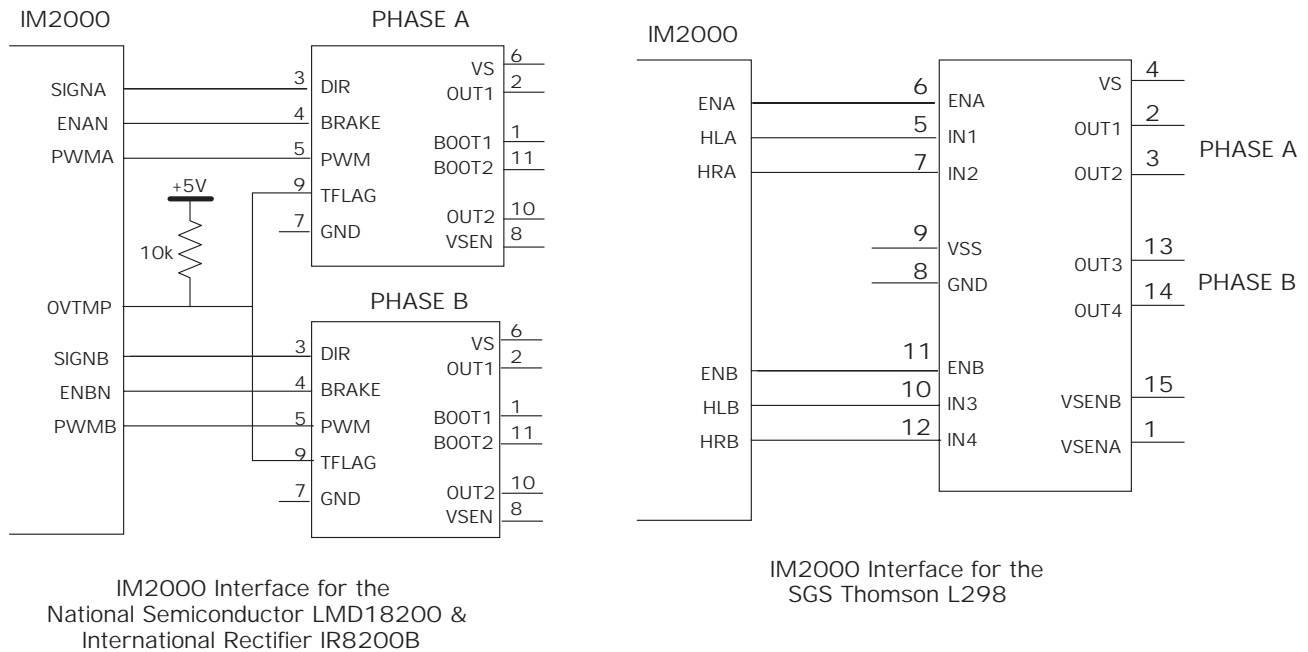


Figure 3.6: Power Control Output Interface Examples

## Current Control

### Digital Current Control

The schematic example shown in Figure 3.7 illustrates how the user might set up the 0 to 2V D/A reference to control the output current of the driver.

### Automatic Current Reduction

The IM2000S contains an auto-current reduction circuit which will automatically set the CURRED output HIGH approximately 1.5 seconds after the rising edge of the last step clock pulse. This output, coupled with a minimum of external components may be used to reduce the current in the windings when the motor is at a standstill.

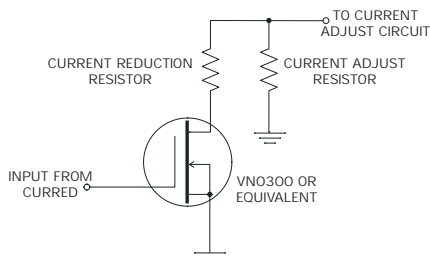


Figure 3.8: Automatic Current Reduction

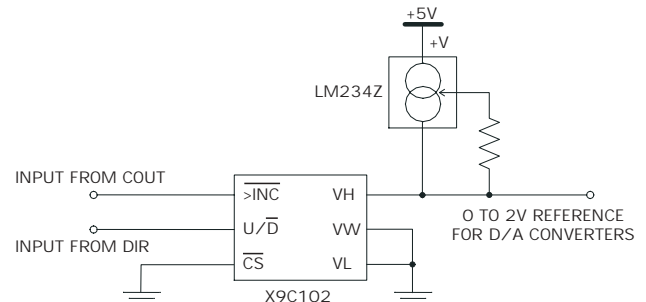


Figure 3.7: Digital Current Control Example

The CURRED output will then be reset on the next rising edge of the step clock input. This feature can greatly reduce motor and driver heating. It may also increase power efficiency in systems not requiring full holding torque.

Note that although both phases are reduced by the same percentage when using the Automatic Current reduction feature, motor shaft movement may occur, depending on shaft positioning and load type.

# Chopping Oscillator

The IM2000S contains a built-in oscillator which is used to clock the internal pulse width modulator. The oscillator frequency is set by an external RC circuit.

While it is recommended to set the oscillator frequency to approximately 20kHz to reduce motor heating and maintain a frequency above the audible range, the internal oscillator can accommodate a wide range of frequencies. Figure 3.9 shows the relationship between the chopping frequency and the RC resistor component values. Note that the values shown were recorded using a fixed 1nF capacitor.

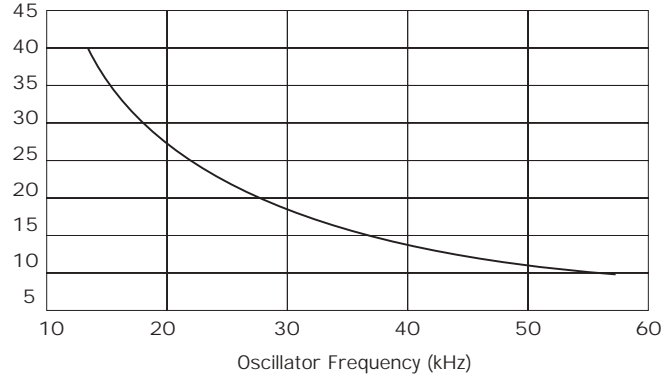


Figure 3.9: Oscillator Frequency Settings

# Reset

The reset input is a Schmitt triggered input used to initialize the IM2000S. The IM2000S must be reset on power-up to ensure proper operation. In order to initialize the IM2000S, the reset input must be held in a logic LOW state for a minimum of 200ns.

Upon reset the IM2000S is configured such that Phase A is at 0 and Phase B is full on and in the positive half cycle. The fault output is cleared as long as no fault condition is active on any of the protection inputs. The current reduction output will set approximately 1.5 seconds following the release of the reset input if no step clock input is detected.

The microstep resolution select lines and the direction input are latched on the rising edge of the reset input. This will occur in either the buss or stand-alone mode of operation.

# External Lookup Table

The IM2000S allows the use of an external lookup table to generate the Phase A and Phase B waveforms. This is accomplished by the use of the RSEL input. By using an external lookup table the user can tailor the wave shapes to meet individual needs.

When the RSEL input is in a logic LOW state, the internal lookup tables are selected and the sine and cosine information is accessed internal to the IM2000S. When RSEL is HIGH an eight bit address is output to AD0 - AD7. This eight bit address will then increment or decrement depending on the state of the microstep resolution and direction inputs.

The IM2000S uses a unique approach in the generation of the address. Eight bits are used to get the full 256 positions. Only a quarter of the sine and cosine waveforms need to be stored. The IM2000S will automatically reconstruct the entire waveform from this information. This means only 502 words need to be stored to generate the entire sine and cosine waveform for decimal resolutions. The IM2000S will automatically generate the sign and cosine signs and the full step output signal internally.

External Lookup Table Example	
Step #	AD0-AD7 Decimal (Hex)
0	0 (0)
1	50 (32)
2	100 (64)
3	150 (96)
4	200 (C8)
5	250 (FA)
6	200 (C8)

Table 3.4: External Lookup Table Example Address Locations

In reconstructing the sine and cosine waveforms, the IM2000S addresses locations 0 - 249 to reconstruct the first quarter of the waveform. The 250<sup>th</sup> location represents the peak or start of the second quarter. Table 3.4 shows the addresses generated by the IM2000S for a resolution of 5 microstep per step selected by MSEL0 - MSEL3.

Figure 3.10 shows a block diagram utilizing external lookup tables.

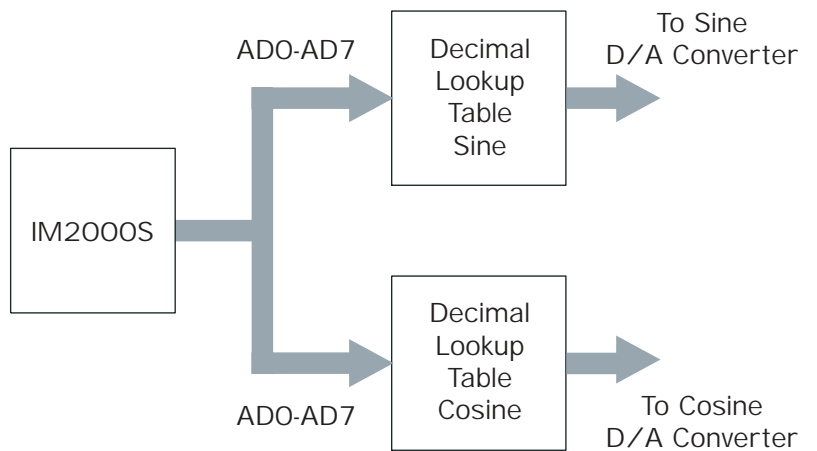


Figure 3.10: External Lookup Table

## Buss/Stand-alone Mode

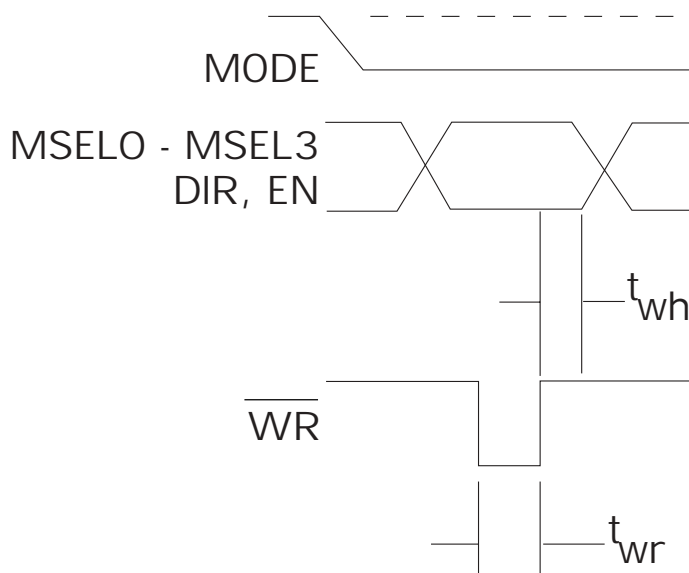


Figure 3.11:  $\overline{WR}$  Input Timing

The IM2000S may be used either in stand-alone mode or tied directly to the data buss of a microprocessor/controller.

If the Mode input is HIGH, the IM2000S will be in stand-alone mode and MSEL0 - MSEL3 and DIR will be updated on the rising edge of the SCLK input. The EN input is not dependent on the SCLK input.

If the Mode input is LOW, the IM2000S will be in Buss Mode and MSEL0 - MSEL3, DIR and EN are latched into the IM2000S on the rising edge of the  $\overline{WR}$  input. Figure 3.11 shows the timing diagram for the  $\overline{WR}$  input.

# Typical Application

48V, 3 Amps (RMS) /Phase Microstepping Driver

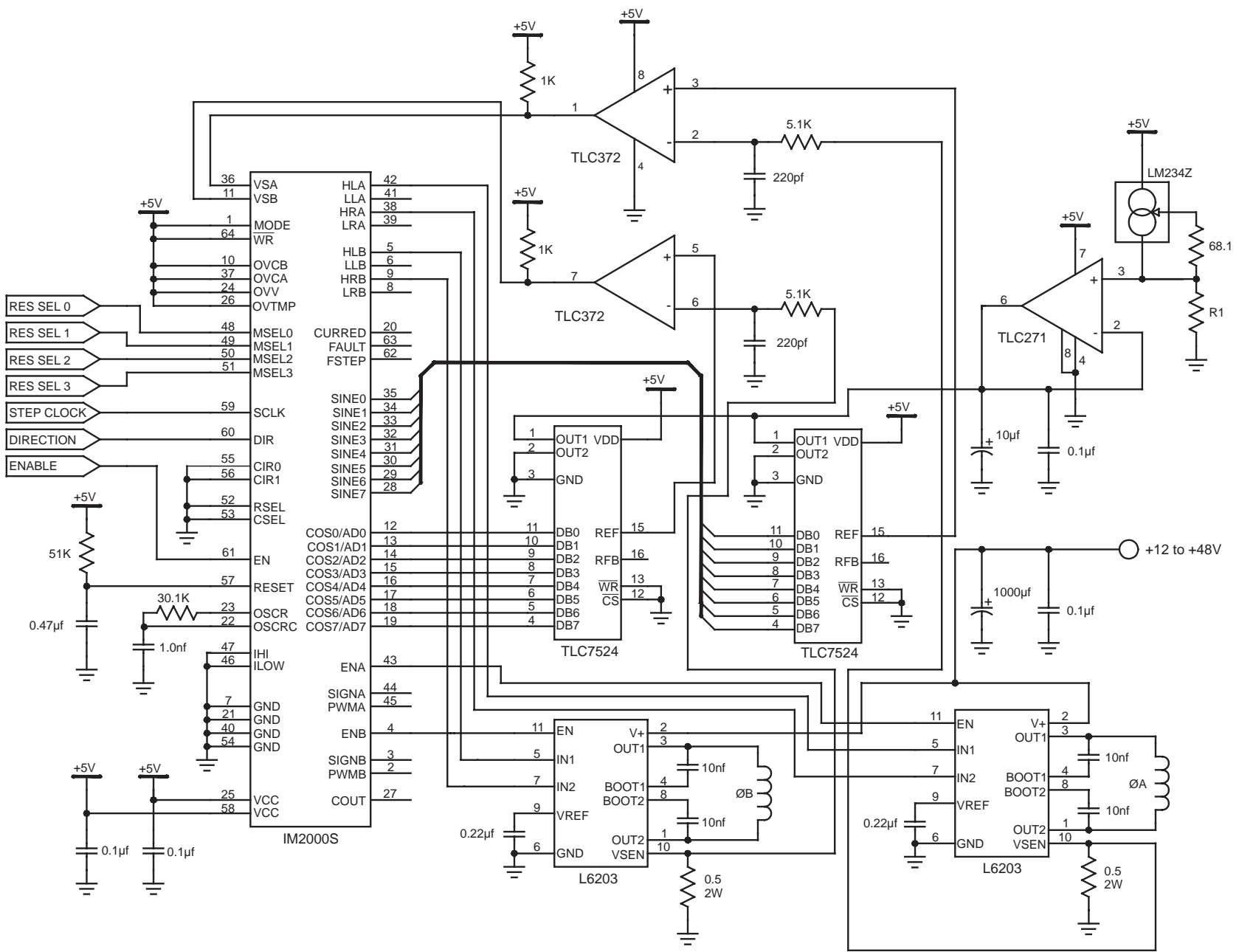


Figure 3.12: Schematic (Typical Application)

Output Current (AMPS) = .002 x R1 (OHMS)

NOTE: Diodes may be needed on phase outputs depending on input voltage and phase currents used.



## GENERAL DISCLAIMER

---

The information in this book has been carefully checked and is believed to be accurate; however, no responsibility is assumed for inaccuracies. Intelligent Motion Systems, Inc., reserves the right to make changes without further notice to any products herein to improve reliability, function or design. Intelligent Motion Systems, Inc., does not assume any liability arising out of the application or use of any product or circuit described herein; neither does it convey any license under its patent rights of others. Intelligent Motion Systems and **IMS**<sup>™</sup> are trademarks of Intelligent Motion Systems, Inc.

Intelligent Motion Systems, Inc.'s general policy does not recommend the use of its products in life support or aircraft applications wherein a failure or malfunction of the product may directly threaten life or injury. Per Intelligent Motion Systems, Inc.'s terms and conditions of sales, the user of Intelligent Motion Systems, Inc., products in life support or aircraft applications assumes all risks of such use and indemnifies Intelligent Motion Systems, Inc., against all damages.

## WARRANTY

### TWENTY-FOUR (24) MONTH LIMITED WARRANTY

Intelligent Motion Systems, Inc. ("IMS"), warrants only to the purchaser of the Product from IMS (the "Customer") that the product purchased from IMS (the "Product") will be free from defects in materials and workmanship under the normal use and service for which the Product was designed for a period of 24 months from the date of purchase of the Product by the Customer. Customer's exclusive remedy under this Limited Warranty shall be the repair or replacement, at Company's sole option, of the Product, or any part of the Product, determined by IMS to be defective. In order to exercise its warranty rights, Customer must notify Company in accordance with the instructions described under the heading "Obtaining Warranty Service."

This Limited Warranty does not extend to any Product damaged by reason of alteration, accident, abuse, neglect or misuse or improper or inadequate handling; improper or inadequate wiring utilized or installed in connection with the Product; installation, operation or use of the Product not made in strict accordance with the specifications and written instructions provided by IMS; use of the Product for any purpose other than those for which it was designed; ordinary wear and tear; disasters or Acts of God; unauthorized attachments, alterations or modifications to the Product; the misuse or failure of any item or equipment connected to the Product not supplied by IMS; improper maintenance or repair of the Product; or any other reason or event not caused by IMS.

IMS HEREBY DISCLAIMS ALL OTHER WARRANTIES, WHETHER WRITTEN OR ORAL, EXPRESS OR IMPLIED BY LAW OR OTHERWISE, INCLUDING WITHOUT LIMITATION, ANY WARRANTIES OF MERCHANTABILITY OR FITNESS FOR ANY PARTICULAR PURPOSE. CUSTOMER'S SOLE REMEDY FOR ANY DEFECTIVE PRODUCT WILL BE AS STATED ABOVE, AND IN NO EVENT WILL THE IMS BE LIABLE FOR INCIDENTAL, CONSEQUENTIAL, SPECIAL OR INDIRECT DAMAGES IN CONNECTION WITH THE PRODUCT.

This Limited Warranty shall be void if the Customer fails to comply with all of the terms set forth in this Limited Warranty. This Limited Warranty is the sole warranty offered by IMS with respect to the Product. IMS does not assume any other liability in connection with the sale of the Product. No representative of IMS is authorized to extend this Limited Warranty or to change it in any manner whatsoever. No warranty applies to any party other than the original Customer.

IMS and its directors, officers, employees, subsidiaries and affiliates shall not be liable for any damages arising from any loss of equipment, loss or distortion of data, loss of time, loss or destruction of software or other property, loss of production or profits, overhead costs, claims of third parties, labor or materials, penalties or liquidated damages or punitive damages, whatsoever, whether based upon breach of warranty, breach of contract, negligence, strict liability or any other legal theory, or other losses or expenses incurred by the Customer or any third party.

### OBTAINING WARRANTY SERVICE

Warranty service may be obtained by a distributor, if the Product was purchased from IMS by a distributor, or by the Customer directly from IMS, if the Product was purchased directly from IMS. Prior to returning the Product for service, a Returned Material Authorization (RMA) number must be obtained. Complete the form at <http://www.imshome.com/rma.html> after which an RMA Authorization Form with RMA number will then be faxed to you. Any questions, contact IMS Customer Service (860) 295-6102.

Include a copy of the RMA Authorization Form, contact name and address, and any additional notes regarding the Product failure with shipment. Return Product in its original packaging, or packaged so it is protected against electrostatic discharge or physical damage in transit. The RMA number MUST appear on the box or packing slip. Send Product to: Intelligent Motion Systems, Inc., 370 N. Main Street, Marlborough, CT 06447.

Customer shall prepay shipping charges for Products returned to IMS for warranty service and IMS shall pay for return of Products to Customer by ground transportation. However, Customer shall pay all shipping charges, duties and taxes for Products returned to IMS from outside the United States.

Rev: 02192004



P.O. Box 457, 370 N. Main Street  
Marlborough, CT 06447 U.S.A.

Phone: 860/295-6102  
Fax: 860/295-6107  
Email: [info@imshome.com](mailto:info@imshome.com)  
Home Page: [www.imshome.com](http://www.imshome.com)

**TECHNICAL SUPPORT**  
*Eastern U.S.*  
Phone: 860/295-6102  
Fax: 860/295-6107  
E-mail: [etech@imshome.com](mailto:etech@imshome.com)  
*Western U.S.*  
Phone: 760/966-3162  
Fax: 760/966-3165  
E-mail: [wtech@imshome.com](mailto:wtech@imshome.com)

**IMS MOTORS DIVISION**  
105 Copperwood Way, Suite H  
Oceanside, CA 92054  
Phone: 760/966-3162  
Fax: 760/966-3165  
E-mail: [motors@imshome.com](mailto:motors@imshome.com)

**IMS EUROPE GmbH**  
Hahnstrasse 10, VS-Schwenningen  
Germany D-78054  
Phone: +49/7720/94138-0  
Fax: +49/7720/94138-2  
**European Sales Management**  
4 Quai Des Etroits  
69005 Lyon, France  
Phone: +33/4 7256 5113  
Fax: +33/4 7838 1537  
**German Sales/Technical Support**  
Phone: +49/35205/4587-8  
Fax: +49/35205/4587-9  
Email: [hruland@imshome.com](mailto:hruland@imshome.com)