



# ***Intel<sup>®</sup> 82801AA (ICH) and Intel<sup>®</sup> 82801AB (ICH0) I/O Controller Hub***

**Datasheet**

---

***June 1999***

Order Number: **290655-002**



Information in this document is provided in connection with Intel products. No license, express or implied, by estoppel or otherwise, to any intellectual property rights is granted by this document. Except as provided in Intel's Terms and Conditions of Sale for such products, Intel assumes no liability whatsoever, and Intel disclaims any express or implied warranty, relating to sale and/or use of Intel products including liability or warranties relating to fitness for a particular purpose, merchantability, or infringement of any patent, copyright or other intellectual property right. Intel products are not intended for use in medical, life saving, or life sustaining applications.

Intel may make changes to specifications and product descriptions at any time, without notice.

Contact your local Intel sales office or your distributor to obtain the latest specifications and before placing your product order.

The Intel® 82801AA (ICH) and Intel® 82801AB (ICH0) may contain design defects or errors known as errata which may cause the product to deviate from published specifications. Current characterized errata are available upon request.

I<sup>2</sup>C is a two-wire communications bus/protocol developed by Philips. SMBus is a subset of the I<sup>2</sup>C bus/protocol and was developed by Intel. Implementations of the I<sup>2</sup>C bus/protocol or the SMBus bus/protocol may require licenses from various entities, including Philips Electronics N.V. and North American Philips Corporation.

Copies of documents which have an ordering number and are referenced in this document, or other Intel literature may be obtained by:

calling 1-800-548-4725 or

by visiting Intel's website at <http://www.intel.com>.

Copyright © Intel Corporation, 1999

\*Third-party brands and names are the property of their respective owners.



# Intel<sup>®</sup> 82801AA (I CH) and Intel<sup>®</sup> 82801AB (ICH0) Features

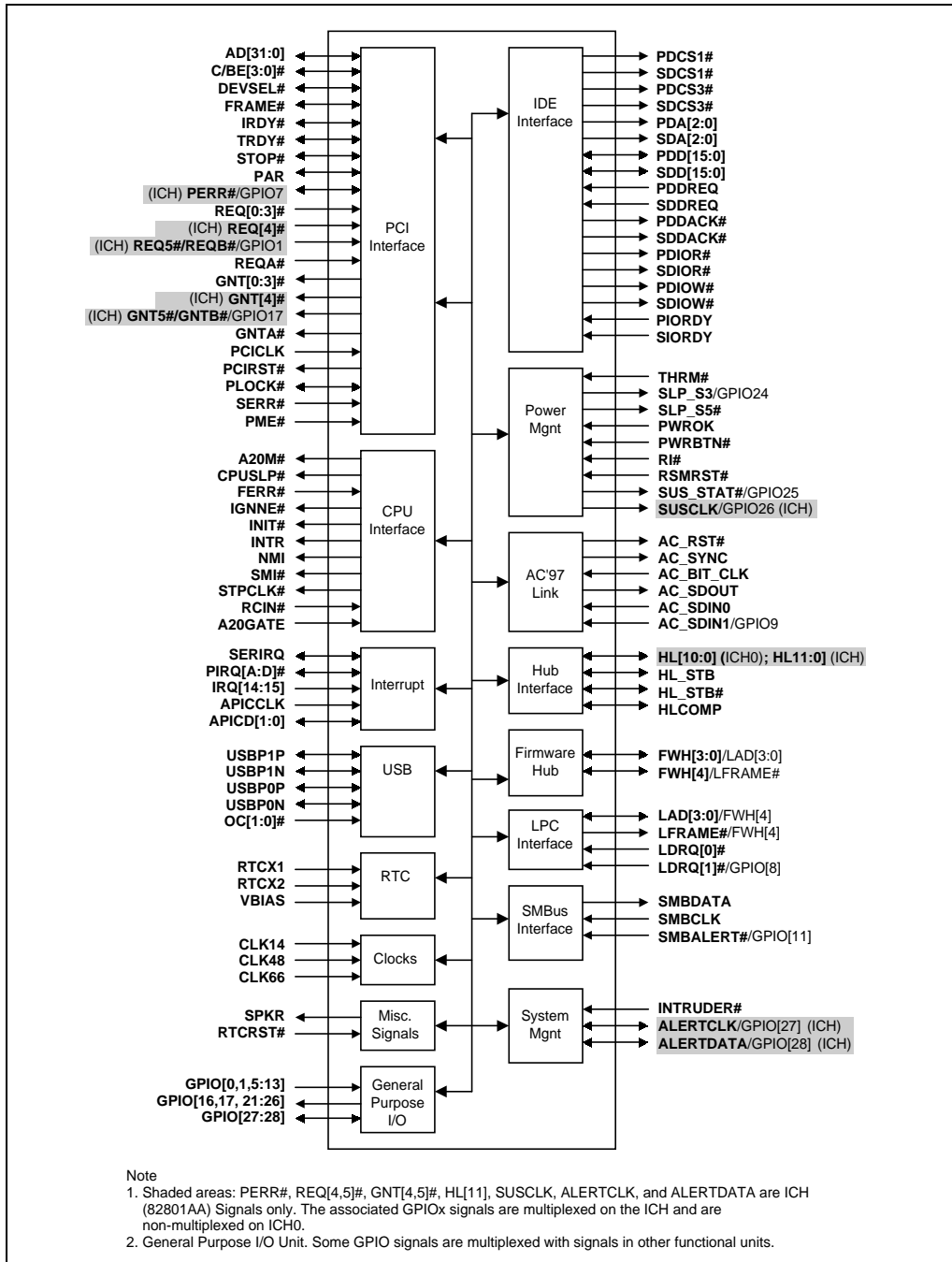
- PCI Bus Interface
  - Supports PCI at 33 MHz
  - Supports PCI Rev 2.2 Specification
  - 133 MByte/sec Maximum Throughput
  - Master PCI Device Support: up to 6 for the ICH and up to 4 for the ICH0
- Integrated IDE Controller
  - Independent Timing of Up to 4 Drives
  - The ICH Supports Ultra ATA/66 Mode (66 Mbytes/sec)
  - Supports Ultra ATA/33 Mode (33 Mbytes/sec)
  - PIO Mode 4 Transfers up to 14 Mbytes/s
  - Separate IDE Connections for Primary and Secondary Cables
  - Implements Write Ping-Pong Buffer for faster write performance
- USB
  - UHCI Implementation With 2 Ports
  - Supports Wake-up From Sleeping States S1-S4
  - Supports Legacy Keyboard/Mouse Software
  - USB Revision 1.1 Compliant
- AC'97 Link for Audio and Telephony CODECs
  - AC'97 2.1 Compliant
  - 5 Independent Bus Master Logic for PCM In, PCM Out, Mic Input, Modem In, Modem Out
  - Separate Independent PCI Functions for Audio and Modem
  - Supports wake-up events
- Interrupt Controller
  - Two Cascaded 82C59
  - Integrated I/O APIC Capability
  - 15 Interrupts Support in 8259 Mode, 24 Supported in I/O APIC Mode.
  - Supports Serial Interrupt Protocol
- Timers Based on 82C54
- System Timer, Refresh Request, Speaker Tone Output
- 3.3 V Operation With 5 V Tolerant Buffers for IDE and PCI signals.
- 241 BGA package
- GPIO
  - TTL, Open-Drain, Inversion
- Power Management Logic
  - ACPI 1.0 Compliant
  - Support for APM-Based Legacy Power Management for Non-ACPI Implementations
  - ACPI Defined Power States (S1, S3, S4, S5)
  - ACPI Power Management Timer
  - SMI# Generation
  - All Registers Readable/Restorable for Proper Resume from 0 V Suspend States
  - PCI PME#
- Low Pin count (LPC) Interface
  - Allows Connection of Legacy ISA and X-Bus Devices such as Super I/O
  - Supports Two Master/DMA Devices.
- Enhanced DMA Controller
  - Two Cascaded 8237 DMA Controllers
  - PCI DMA: Supports PC/PCI — Includes Two PC/PCI REQ#/GNT# Pairs
  - Supports LPC DMA
  - Supports DMA Collection Buffer to Provide Type-F DMA Performance for All DMA Channels
- Real - Time Clock
  - 256-byte Battery-Backed CMOS RAM
  - Hardware implementation to indicate Century Rollover
- System TCO Reduction Circuits
  - Timers to Generate SMI# and Reset Upon Detection of locked system
  - Timers to Detect Improper Processor Reset
  - Integrated Processor Frequency Strap Logic
- SM Bus
  - Host Interface Allows Processor to Communicate via SM Bus
  - Compatible With Most 2-Wire Components that are Also I<sup>2</sup>C compatible
- Supports ISA Bus via External PCI-ISA Bridge
- Firmware Hub (FWH) Interface
- The 82801AA provides Alert On LAN\* Support

This datasheet describes the Intel<sup>®</sup> 82801AA and Intel<sup>®</sup> 82801AB components. Non-shaded areas describe the functionality of both components.

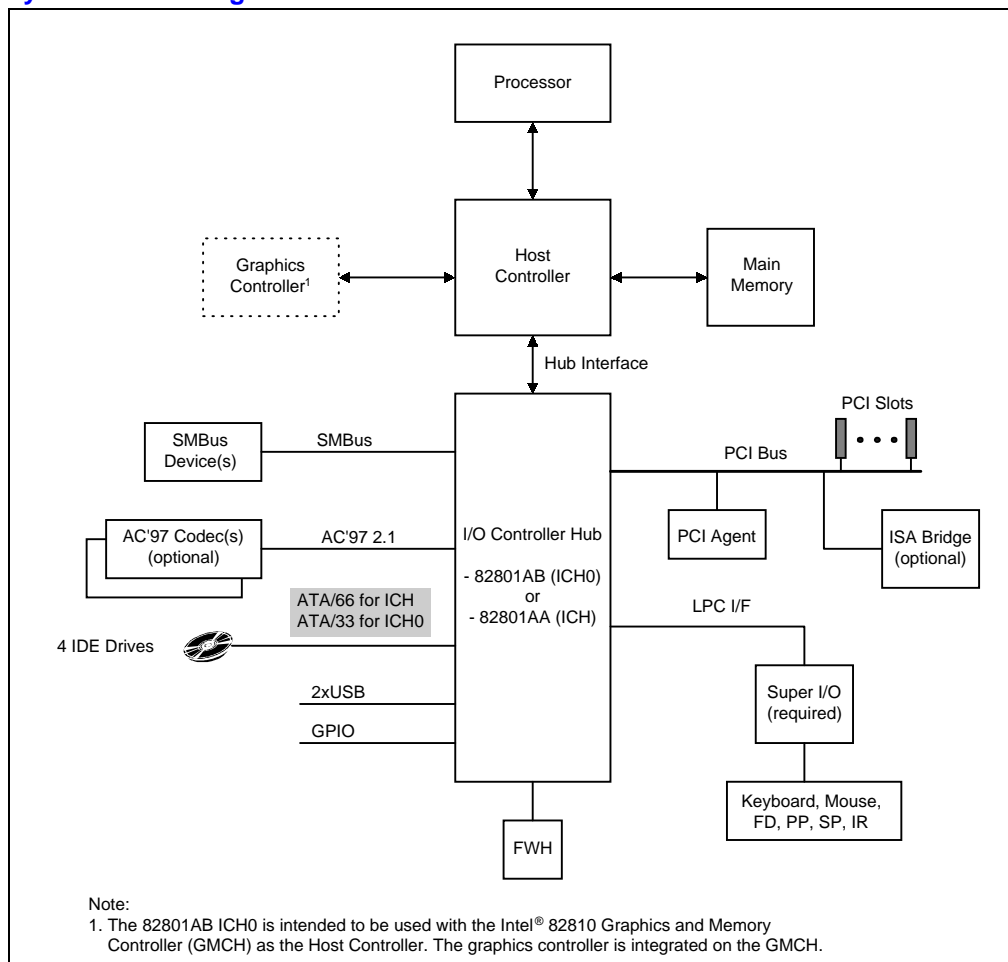
Shading, as is shown here, indicates differences between the two components.

The Intel<sup>®</sup> 82801AA and Intel<sup>®</sup> 82801AB may contain design defects or errors known as errata which may cause the products to deviate from published specifications. Current characterized errata are available on request.

## Intel® 82801AA (ICH) and Intel® 82801AB (ICH0) Simplified Block Diagram



### System Block Diagram



# Contents

---

1	Introduction .....	1-1
	1.1 About this Manual .....	1-1
	1.2 Overview .....	1-3
2	Signal Description .....	2-1
	2.1 Hub Interface .....	2-1
	2.2 Firmware Hub Interface .....	2-1
	2.3 PCI Interface .....	2-2
	2.4 IDE Interface .....	2-4
	2.5 Low Pin Count (LPC) Interface .....	2-5
	2.6 Interrupt Interface .....	2-6
	2.7 USB Interface .....	2-6
	2.8 Power Management Interface .....	2-7
	2.9 Processor Interface .....	2-8
	2.10 SMBus Interface .....	2-9
	2.11 System Management Interface .....	2-9
	2.12 Real Time Clock Interface .....	2-9
	2.13 Other Clocks .....	2-10
	2.14 Miscellaneous Signals .....	2-10
	2.15 AC'97 Link .....	2-10
	2.16 General Purpose I/O .....	2-11
	2.17 Power and Ground .....	2-12
	2.18 Pin Straps .....	2-12
	2.18.1 Functional Strap .....	2-12
	2.18.2 Test Straps .....	2-13
	2.18.3 External RTC Circuitry .....	2-13
	2.18.4 5VREF / Vcc3_3 Sequencing Requirements .....	2-14
3	Power Planes and Pin States .....	3-1
	3.1 Power Planes .....	3-1
	3.2 Output and I/O Signal Planes and States .....	3-1
	3.3 Power Planes for Input Signals .....	3-4
	3.4 Integrated Pull-Ups and Pull-Downs .....	3-5
	3.5 IDE Integrated Series Termination Resistors .....	3-5
4	Clock Domains .....	4-1
5	Functional Description .....	5-1
	5.1 Hub Interface to PCI Bridge (D30:F0) .....	5-1
	5.1.1 PCI Bus Interface .....	5-1
	5.1.2 PCI-to-PCI Bridge Model .....	5-1
	5.1.3 IDSEL to Device Number Mapping .....	5-2
	5.1.4 SERR#/PERR#/NMI# Functionality .....	5-2



5.2	LPC Bridge (with System & Management Functions) (D31:F0).....	5-4
5.2.1	LPC Interface .....	5-4
5.2.1.1	LPC Cycle Types.....	5-5
5.2.1.2	Start Field Definition .....	5-5
5.2.1.3	Cycle Type / Direction (CYCTYPE + DIR).....	5-6
5.2.1.4	SIZE.....	5-6
5.2.1.5	SYNC.....	5-6
5.2.1.6	SYNC Time-out .....	5-7
5.2.1.7	SYNC Error Indication .....	5-7
5.2.1.8	LFRAME# Usage.....	5-7
5.2.1.9	I/O Cycles .....	5-9
5.2.1.10	Bus Master Cycles.....	5-9
5.2.1.11	Configuration and ICH Implications .....	5-9
5.3	DMA Operation (D31:F0) .....	5-9
5.3.1	Channel Priority .....	5-10
5.3.2	Address Compatibility Mode .....	5-11
5.3.3	Summary of DMA Transfer Sizes .....	5-11
5.3.4	Autoinitialize.....	5-12
5.3.5	Software Commands .....	5-12
5.4	PCI DMA .....	5-13
5.4.1	PCI DMA Expansion Protocol .....	5-13
5.4.2	PCI DMA Expansion Cycles .....	5-14
5.4.3	DMA Addresses .....	5-15
5.4.4	DMA Data Generation.....	5-15
5.4.5	DMA Byte Enable Generation.....	5-15
5.4.6	DMA Cycle Termination .....	5-16
5.5	LPC DMA .....	5-16
5.5.1	Asserting DMA Requests.....	5-16
5.5.2	Abandoning DMA Requests.....	5-17
5.5.3	General Flow of DMA Transfers .....	5-17
5.5.4	Terminal Count .....	5-18
5.5.5	Verify Mode .....	5-18
5.5.6	DMA Request Deassertion .....	5-18
5.5.7	SYNC Field / LDRQ# Rules .....	5-19
5.6	8254 Timers (D31:F0).....	5-20
5.6.1	Timer Programming .....	5-20
5.6.2	Reading from the Interval Timer .....	5-21
5.7	8259 Interrupt Controllers (PIC) (D31:F0).....	5-23
5.7.1	Interrupt Handling .....	5-23
5.7.2	Initialization Command Words (ICWx) .....	5-25
5.7.3	Operation Command Words (OCW) .....	5-26
5.7.4	Modes of Operation .....	5-26
5.7.5	Masking Interrupts .....	5-29
5.7.6	Steering PCI Interrupts .....	5-29
5.8	Advanced Interrupt Controller (APIC) (D31:F0) .....	5-30
5.8.1	Interrupt Handling .....	5-30
5.8.2	Interrupt Mapping.....	5-30
5.8.3	APIC Bus Functional Description.....	5-31
5.8.3.1	Physical Characteristics of APIC.....	5-31
5.8.3.2	APIC Bus Arbitration.....	5-31
5.8.3.3	Bus Message Formats.....	5-32

5.9	Serial Interrupt (D31:F0) .....	5-37
5.9.1	Start Frame .....	5-37
5.9.2	Data Frames .....	5-37
5.9.3	Stop Frame .....	5-38
5.9.4	Specific Interrupts not Supported via SERIRQ .....	5-38
5.9.5	Data Frame Format .....	5-39
5.10	Real Time Clock (D31:F0) .....	5-40
5.10.1	Update Cycles .....	5-40
5.10.2	Interrupts .....	5-41
5.10.3	Lockable RAM Ranges .....	5-41
5.10.4	Century Rollover .....	5-41
5.10.5	Clearing Battery-Backed RTC RAM .....	5-41
5.11	Processor Interface (D31:F0) .....	5-43
5.11.1	Processor Interface Signals .....	5-43
5.11.2	Dual Processor Issues (ICH: 82801AA only) .....	5-45
5.11.2.1	Signal Differences (ICH: 82801AA only) .....	5-45
5.11.2.2	Power Management (ICH: 82801AA only) .....	5-45
5.11.3	Speed Strapping for Processor .....	5-46
5.12	Power Management (D31:F0) .....	5-47
5.12.1	ICH and System Power States .....	5-47
5.12.2	System Power Planes .....	5-48
5.12.3	SMI#/SCI Generation .....	5-49
5.12.4	Dynamic System Clock Control .....	5-50
5.12.4.1	Entering/Exiting the C1 State .....	5-50
5.12.4.2	Entering/Exiting the C2 State .....	5-51
5.12.4.3	Throttling Using STPCLK# .....	5-51
5.12.4.4	Transition Rules Among S0/Cx and Throttling States .....	5-52
5.12.5	Sleep States .....	5-52
5.12.5.1	Sleep State Overview .....	5-52
5.12.5.2	Initiating Sleep State .....	5-52
5.12.5.3	Exiting Sleep States .....	5-53
5.12.5.4	Sx-G3-Sx, Handling Power Failures .....	5-54
5.12.6	Thermal Management .....	5-55
5.12.6.1	THRM# Signal .....	5-55
5.12.6.2	THRM# Initiated Passive Cooling .....	5-55
5.12.6.3	Processor Initiated Passive Cooling (Via Programmed Duty Cycle on STPCLK#) .....	5-56
5.12.6.4	Active Cooling .....	5-56
5.12.7	Event Input Signals and Their Usage .....	5-56
5.12.7.1	PWRBTN#—Power Button .....	5-56
5.12.7.2	RI#—Ring Indicate .....	5-57
5.12.7.3	PME#—PCI Power Management Event .....	5-57
5.12.8	Alt Access Mode .....	5-57
5.12.8.1	Write Only Registers with Read Paths in Alternate Access Mode .....	5-58
5.12.8.2	PIC Reserved Bits .....	5-59
5.12.8.3	Read Only Registers with Write Paths in Alternate Access Mode .....	5-60
5.12.9	System Power Supplies, Planes, and Signals .....	5-60
5.12.10	Clock Generators .....	5-61
5.12.11	Legacy Power Management Theory of Operation .....	5-61





5.13	System Management (D31:F0).....	5-62
5.13.1	Overview of System Management Functions .....	5-62
5.13.2	Theory of Operation .....	5-62
5.13.2.1	Handling an ECC Error or Other Memory Error.....	5-63
5.13.3	Alert on LAN* (ICH: 82801AA only) .....	5-63
5.14	IDE Controller (D31:F1) .....	5-66
5.14.1	PIO Transfers.....	5-67
5.14.1.1	PIO IDE Timing Modes.....	5-67
5.14.1.2	IORDY Masking.....	5-68
5.14.1.3	PIO 32 Bit IDE Data Port Accesses.....	5-68
5.14.1.4	PIO IDE Data Port Prefetching and Posting .....	5-68
5.14.2	Bus Master Function .....	5-68
5.14.2.1	Physical Region Descriptor Format .....	5-68
5.14.2.2	Line Buffer .....	5-69
5.14.2.3	Bus Master IDE Timings.....	5-69
5.14.2.4	Interrupts .....	5-70
5.14.2.5	Bus Master IDE Operation.....	5-70
5.14.2.6	Error Conditions.....	5-71
5.14.2.7	8237 Like Protocol.....	5-71
5.14.3	Ultra ATA/33 Protocol .....	5-72
5.14.3.1	Signal Descriptions.....	5-72
5.14.3.2	Operation.....	5-73
5.14.3.3	CRC Calculation .....	5-73
5.14.3.4	Synchronous DMA Timings .....	5-73
5.14.3.5	Ultra ATA/66 (ICH: 82801AA only) .....	5-74
5.15	USB Controller (Device 31:Function 2).....	5-74
5.15.1	Data Structures in Main memory .....	5-75
5.15.1.1	Frame List Pointer .....	5-75
5.15.1.2	Transfer Descriptor (TD).....	5-76
5.15.1.3	Queue Head (QH) .....	5-80
5.15.2	Data Transfers To/From Main Memory.....	5-81
5.15.2.1	Executing the Schedule.....	5-81
5.15.2.2	Processing Transfer Descriptors .....	5-81
5.15.2.3	Command Register, Status Register, and TD Status Bit Interaction.....	5-82
5.15.2.4	Transfer Queuing.....	5-83
5.15.3	Data Encoding and Bit Stuffing .....	5-86
5.15.4	Bus Protocol.....	5-86
5.15.4.1	Bit Ordering .....	5-86
5.15.4.2	SYNC Field.....	5-86
5.15.4.3	Packet Field Formats.....	5-87
5.15.4.4	Address Fields.....	5-88
5.15.4.5	Frame Number Field.....	5-88
5.15.4.6	Data Field .....	5-88
5.15.4.7	Cyclic Redundancy Check (CRC) .....	5-88
5.15.5	Packet Formats.....	5-89
5.15.5.1	Token Packets.....	5-89
5.15.5.2	Start of Frame Packets.....	5-89
5.15.5.3	Data Packets .....	5-90
5.15.5.4	Handshake Packets.....	5-90
5.15.5.5	Handshake Responses .....	5-90

5.15.6	USB Interrupts .....	5-91
5.15.6.1	Transaction Based Interrupts .....	5-91
5.15.6.2	Non-Transaction Based Interrupts .....	5-93
5.15.7	USB Power Management .....	5-94
5.15.8	USB Legacy Keyboard Operation.....	5-94
5.16	SMBus Controller Functional Description (D31:F3).....	5-97
5.16.1	Host Controller.....	5-97
5.16.1.1	Command Protocols.....	5-97
5.16.1.2	I <sup>2</sup> C Behavior.....	5-104
5.16.2	Bus Arbitration .....	5-105
5.16.3	Interrupts / SMI# .....	5-105
5.16.4	SMBALERT# .....	5-105
5.17	ICH AC'97 2.1 Functional Description .....	5-106
5.17.1	AC-link Overview .....	5-108
5.17.2	AC-link Output Frame (SDOUT) .....	5-110
5.17.3	AC-link Input Frame (SDIN).....	5-112
5.17.4	Register Access.....	5-114
5.18	AC-Link Low Power Mode .....	5-115
5.18.1	External Wake Event .....	5-116
5.18.2	AC'97 Cold Reset .....	5-116
5.18.3	AC'97 Warm Reset .....	5-116
5.18.4	System Reset .....	5-117
6	Register and Memory Mapping.....	6-1
6.1	PCI Devices and Functions .....	6-2
6.1.1	PCI Configuration Map .....	6-2
6.1.2	Standard PCI Bus Configuration Mechanism .....	6-3
6.2	I/O Map.....	6-4
6.2.1	Fixed I/O Address Ranges.....	6-4
6.2.2	Variable I/O Decode Ranges .....	6-6
6.3	Memory Map.....	6-7
7	Hub Interface-to-PCI Bridge Registers (D30:F0) .....	7-1
7.1	PCI Configuration Registers (D30:F0) .....	7-1
7.1.1	VID—Vendor ID Register (HUB-PCI—D30:F0) .....	7-2
7.1.2	DID—Device ID Register (HUB-PCI—D30:F0).....	7-2
7.1.3	CMD—Command Register (HUB-PCI—D30:F0).....	7-3
7.1.4	PD_STS—Primary Device Status Register (HUB-PCI—D30:F0).....	7-4
7.1.5	RID—Revision ID Register (HUB-PCI—D30:F0).....	7-5
7.1.6	SCC—Sub-Class Code Register (HUB-PCI—D30:F0).....	7-5
7.1.7	BCC—Base-Class Code Register (HUB-PCI—D30:F0).....	7-5
7.1.8	PMLT—Primary Master Latency Timer Register (HUB-PCI—D30:F0) .....	7-5
7.1.9	HEADTYP—Header Type Register (HUB-PCI—D30:F0).....	7-6
7.1.10	PBUS_NUM—Primary Bus Number Register (HUB-PCI—D30:F0).....	7-6
7.1.11	SBUS_NUM—Secondary Bus Number Register (HUB-PCI—D30:F0) .....	7-6
7.1.12	SUB_BUS_NUM—Subordinate Bus Number Register (HUB-PCI—D30:F0) .....	7-6



7.1.13	SMLT—Secondary Master Latency Timer Register (HUB-PCI—D30:F0) .....	7-7
7.1.14	IOBASE—I/O Base Register (HUB-PCI—D30:F0) .....	7-7
7.1.15	IOLIM—I/O Limit Register (HUB-PCI—D30:F0) .....	7-7
7.1.16	SECSTS—Secondary Status Register (HUB-PCI—D30:F0) .....	7-8
7.1.17	MEMBASE—Memory Base Register (HUB-PCI—D30:F0) .....	7-9
7.1.18	MEMLIM—Memory Limit Register (HUB-PCI—D30:F0) .....	7-9
7.1.19	PREF_MEM_BASE—Prefetchable Memory Base Register (HUB-PCI—D30:F0) .....	7-9
7.1.20	PREF_MEM_MLT—Prefetchable Memory Limit Register (HUB-PCI—D30:F0) .....	7-10
7.1.21	IOBASE_HI—I/O Base Upper 16 Bits Register (HUB-PCI—D30:F0) .....	7-10
7.1.22	IOLIM_HI—I/O Limit Upper 16 Bits Register (HUB-PCI—D30:F0) .....	7-10
7.1.23	INT_LINE—Interrupt Line Register (HUB-PCI—D30:F0) .....	7-10
7.1.24	BRIDGE_CNT—Bridge Control Register (HUB-PCI—D30:F0) .....	7-11
7.1.25	CNF—ICH Configuration Register (HUB-PCI—D30:F0) .....	7-12
7.1.26	MTT—Multi-Transaction Timer Register (HUB-PCI—D30:F0) .....	7-13
7.1.27	PCI_MAST_STS—PCI Master Status Register (HUB-PCI—D30:F0) .....	7-13
7.1.28	ERR_CMD—Error Command Register (HUB-PCI—D30:F0) .....	7-14
7.1.29	ERR_STS—Error Status Register (HUB-PCI—D30:F0) .....	7-14

8	LPC Interface Bridge Registers (D31:F0) .....	8-1
8.1	PCI Configuration Registers (D31:F0) .....	8-1
8.1.1	VID—Vendor ID Register (LPC I/F—D31:F0) .....	8-2
8.1.2	DID—Device ID Register (LPC I/F—D31:F0) .....	8-2
8.1.3	PCICMD—PCI COMMAND Register (LPC I/F—D31:F0) .....	8-3
8.1.4	PCISTA—PCI Device Status (LPC I/F—D31:F0) .....	8-4
8.1.5	RID—Revision ID Register (LPC I/F—D31:F0) .....	8-5
8.1.6	PI—Programming Interface (LPC I/F—D31:F0) .....	8-5
8.1.7	SCC—Sub-Class Code Register (LPC I/F—D31:F0) .....	8-5
8.1.8	BCC—Base-Class Code Register (LPC I/F—D31:F0) .....	8-5
8.1.9	HEADTYP—Header Type Register (LPC I/F—D31:F0) .....	8-5
8.1.10	PMBASE—ACPI Base Address (LPC I/F—D31:F0) .....	8-6
8.1.11	ACPI_CNTL—ACPI Control (LPC I/F — D31:F0) .....	8-6
8.1.12	BIOS_CNTL (LPC I/F—D31:F0) .....	8-7
8.1.13	TCO_CNTL — TCO Control (LPC I/F — D31:F0) .....	8-7
8.1.14	GPIOBASE—GPIO Base Address (LPC I/F—D31:F0) .....	8-8
8.1.15	GPIO_CNTL—GPIO Control (LPC I/F—D31:F0) .....	8-8
8.1.16	PIRQ[n]_ROUT—PIRQ[A,B,C,D] Routing Control (LPC I/F—D31:F0) .....	8-9
8.1.17	SERIRQ_CNTL—Serial IRQ Control (LPC I/F—D31:F0) .....	8-9
8.1.18	D31_ERR_CFG—Device 31 Error Config Register (LPC I/F—D31:F0) .....	8-10
8.1.19	D31_ERR_STS—Device 31 Error Status Register (LPC I/F—D31:F0) .....	8-10
8.1.20	PCI_DMA_CFG—PCI DMA Configuration (LPC I/F—D31:F0) .....	8-11
8.1.21	GEN_CNTL — General Control Register (LPC I/F — D31:F0) .....	8-11
8.1.22	GEN_STA—General Status (LPC I/F—D31:F0) .....	8-13
8.1.23	RTC_CONF—RTC Configuration Register (LPC I/F—D31:F0) .....	8-14

8.1.24	COM_DEC—LPC I/F Communication Port Decode Ranges (LPC I/F—D31:F0) .....	8-14
8.1.25	FDD/LPT_DEC—LPC I/F FDD & LPT Decode Ranges (LPC I/F—D31:F0) .....	8-15
8.1.26	SND_DEC—LPC I/F Sound Decode Ranges (LPC I/F—D31:F0) .....	8-15
8.1.27	GEN1_DEC—LPC I/F Generic Decode Range 1 (LPC I/F—D31:F0) .....	8-16
8.1.28	GEN2_DEC—LPC I/F Generic Decode Range 2 (LPC I/F—D31:F0) .....	8-16
8.1.29	LPC_EN—LPC I/F Enables (LPC I/F—D31:F0) .....	8-17
8.1.30	FWH_DEC_EN—FWH Decode Enable Register (LPC I/F—D31:F0) .....	8-18
8.1.31	FWH_SEL—FWH Select Register (LPC I/F—D31:F0) .....	8-19
8.1.32	FUNC_DIS—Function Disable Register (LPC I/F—D31:F0) .....	8-20
8.2	DMA I/O Registers .....	8-21
8.2.1	DMABASE_CA—DMA Base and Current Address Registers .....	8-22
8.2.2	DMABASE_CC—DMA Base and Current Count Registers .....	8-23
8.2.3	DMAMEM_LP—DMA Memory Low Page Registers .....	8-23
8.2.4	DMACMD—DMA Command Register .....	8-24
8.2.5	DMASTA—DMA Status Register .....	8-24
8.2.6	DMA_WRSMSK—DMA Write Single Mask Register .....	8-25
8.2.7	DMACH_MODE—DMA Channel Mode Register .....	8-25
8.2.8	DMA Clear Byte Pointer Register .....	8-26
8.2.9	DMA Master Clear Register .....	8-26
8.2.10	DMA_CLMSK—DMA Clear Mask Register .....	8-26
8.2.11	DMA_WRMSK—DMA Write All Mask Register .....	8-27
8.3	Timer I/O Registers .....	8-28
8.3.1	TCW—Timer Control Word Register .....	8-28
8.3.1.1	RDBK_CMD—Read Back Command .....	8-29
8.3.1.2	LTCH_CMD—Counter Latch Command .....	8-30
8.3.2	SBYTE_FMT—Interval Timer Status Byte Format Register .....	8-30
8.3.3	Counter Access Ports Register .....	8-31
8.4	8259 Interrupt Controller (PIC) Registers .....	8-32
8.4.1	Interrupt Controller I/O MAP .....	8-32
8.4.2	ICW1—Initialization Command Word 1 Register .....	8-33
8.4.3	ICW2—Initialization Command Word 2 Register .....	8-34
8.4.4	ICW3—Master Controller Initialization Command Word 3 Register .....	8-34
8.4.5	ICW3—Slave Controller Initialization Command Word 3 Register .....	8-35
8.4.6	ICW4—Initialization Command Word 4 Register .....	8-35
8.4.7	OCW1—Operational Control Word 1 (Interrupt Mask) Register .....	8-35
8.4.8	OCW2—Operational Control Word 2 Register .....	8-36
8.4.9	OCW3—Operational Control Word 3 Register .....	8-37
8.4.10	ELCR1—Master Controller Edge/Level Triggered Register .....	8-38
8.4.11	ELCR2—Slave Controller Edge/Level Triggered Register .....	8-38



8.5	Advanced Interrupt Controller (APIC) .....	8-39
8.5.1	APIC Register Map .....	8-39
8.5.2	IND—Index Register .....	8-39
8.5.3	DAT—Data Register .....	8-40
8.5.4	ID—Identification Register .....	8-40
8.5.5	VER—Version Register .....	8-40
8.5.6	ARBID—Arbitration ID Register .....	8-41
8.5.7	Redirection Table .....	8-41
8.5.8	IRQPA—IRQ Pin Assertion Register .....	8-43
8.5.9	EOIR—EOI Register .....	8-43
8.6	Real Time Clock Registers .....	8-44
8.6.1	I/O Register Address Map .....	8-44
8.6.2	Indexed Registers .....	8-45
8.6.2.1	RTC_REGA—Register A .....	8-46
8.6.2.2	RTC_REGB—Register B (General Configuration) .....	8-47
8.6.2.3	RTC_REGC—Register C (Flag Register) .....	8-48
8.6.2.4	RTC_REGD—Register D (Flag Register) .....	8-48
8.7	Processor Interface Registers .....	8-49
8.7.1	NMI_SC—NMI Status and Control Register .....	8-49
8.7.2	NMI_EN—NMI Enable (and Real Time Clock Index) .....	8-50
8.7.3	PORT92—Fast A20 and Init Register .....	8-50
8.7.4	COPROC_ERR—Coprocessor Error Register .....	8-50
8.7.5	RST_CNT—Reset Control Register .....	8-51
8.8	Power Management Registers (D31:F0) .....	8-52
8.8.1	Power Management PCI Configuration Registers (D31:F0) .....	8-52
8.8.1.1	GEN_PMCON_1—General PM Configuration 1 Register (PM—D31:F0) .....	8-52
8.8.1.2	GEN_PMCON_2—General PM Configuration 2 Register (PM—D31:F0) .....	8-53
8.8.1.3	GEN_PMCON_3—General PM Configuration 3 Register (PM—D31:F0) .....	8-53
8.8.1.4	GPI_ROUT—GPI Routing Control Register (PM—D31:F0) .....	8-54
8.8.1.5	IO_MON_RNG1—IO Monitor Range 1 Register (PM—D31:F0) .....	8-54
8.8.1.6	IO_MON_RNG2—IO Monitor Range 2 Register (PM—D31:F0) .....	8-55
8.8.1.7	IO_MON_MSK—IO Monitor Range Mask Register (PM—D31:F0) .....	8-55
8.8.2	APM I/O Decode .....	8-56
8.8.2.1	APM_CNT—Advanced Power Management Control Port Register .....	8-56
8.8.2.2	APM_STS—Advanced Power Management Status Port Register .....	8-56

8.8.3	Power Management I/O Registers.....	8-57
8.8.3.1	PM1_STS—Power Management 1 Status Register.....	8-58
8.8.3.2	PM1_EN—Power Management 1 Enables Register.....	8-59
8.8.3.3	PM1_CNT—Power Management 1 Control.....	8-60
8.8.3.4	PM1_TMR—Power Management 1 Timer Register.....	8-60
8.8.3.5	PROC_CNT—Processor Control Register.....	8-61
8.8.3.6	LV2 — Level 2 Register.....	8-62
8.8.3.7	GPE0_STS—General Purpose Event 0 Status Register.....	8-62
8.8.3.8	GPE0_EN—General Purpose Event 0 Enables Register.....	8-63
8.8.3.9	GPE1_STS—General Purpose Event 1 Status Register.....	8-64
8.8.3.10	GPE1_EN—General Purpose Event 1 Enable Register.....	8-65
8.8.3.11	SMI_EN—SMI Control and Enable Register.....	8-65
8.8.3.12	SMI_STS—SMI Status Register.....	8-66
8.8.3.13	IOMON_STS_EN — I/O Monitor Status and Enable Register.....	8-67
8.8.3.14	DEVACT_STS — Device Activity Status Register.....	8-68
8.8.3.15	BUS_ADDR_TRACK— Bus Address Tracker.....	8-69
8.8.3.16	BUS_CYC_TRACK— Bus Cycle Tracker.....	8-69
8.9	System Management TCO Registers (D31:F0).....	8-70
8.9.1	TCO Register I/O Map.....	8-70
8.9.2	TCO1_RLD—TCO Timer Reload and Current Value.....	8-70
8.9.3	TCO1_TMR—TCO Timer Initial Value.....	8-70
8.9.4	TCO1_DAT_IN—TCO Data In Register.....	8-71
8.9.5	TCO1_DAT_OUT—TCO Data Out Register.....	8-71
8.9.6	TCO1_STS—TCO1 Status Register.....	8-71
8.9.7	TCO2_STS—TCO2 Status Register.....	8-72
8.9.8	TCO1_CNT—TCO1 Control Register.....	8-73
8.9.9	TCO2_CNT—TCO2 Control Register.....	8-73
8.9.10	TCO_MESSAGE1 and TCO_MESSAGE2 Registers (ICH 82801AA only).....	8-74
8.9.11	TCO_WDSTATUS—TCO2 Control Register (ICH 82801AA only).....	8-74
8.10	General Purpose I/O Registers (D31:F0).....	8-75
8.10.1	GPIO Register I/O Address Map.....	8-78
8.10.2	GPIO_USE_SEL—GPIO Use Select Register.....	8-79
8.10.3	GP_IO_SEL—GPIO Input/Output Select Register.....	8-80
8.10.4	GP_LVL—GPIO Level for Input or Output Register.....	8-81
8.10.5	GPO_TTL—GPIO TTL Select Register.....	8-81
8.10.6	GPO_BLINK—GPO Blink Enable Register.....	8-82
8.10.7	GPI_INV—GPIO Signal Invert Register.....	8-82



9	IDE Controller Registers (D31:F1) .....	9-1
9.1	PCI Configuration Registers (IDE—D31:F1) .....	9-1
9.1.1	VID—Vendor ID Register (IDE—D31:F1) .....	9-2
9.1.2	DID—Device ID Register (IDE—D31:F1) .....	9-2
9.1.3	CMD—Command Register (IDE—D31:F1) .....	9-2
9.1.4	STA—Device Status Register (IDE—D31:F1) .....	9-3
9.1.5	RID—Revision ID Register (IDE—D31:F1) .....	9-3
9.1.6	PI—Programming Interface (IDE—D31:F1) .....	9-3
9.1.7	SCC—Sub Class Code (IDE—D31:F1) .....	9-4
9.1.8	BCC—Base Class Code (IDE—D31:F1) .....	9-4
9.1.9	MLT—Master Latency Timer (IDE—D31:F1) .....	9-4
9.1.10	HEADTYP—Header Type Register (LPC I/F—D31:F0) .....	9-4
9.1.11	BM_BASE—Bus Master Base Address Register (IDE—D31:F1) .....	9-5
9.1.12	SVID—Subsystem Vendor ID Register (IDE—D31:F1) .....	9-5
9.1.13	SID—Subsystem ID Register (IDE—D31:F1) .....	9-5
9.1.14	IDE_TIM—IDE Timing Register (IDE—D31:F1) .....	9-6
9.1.15	SLV_IDETIM—Slave (Drive 1) IDE Timing Register (IDE—D31:F1) .....	9-7
9.1.16	SDMA_CNT—Synchronous DMA Control Register (IDE—D31:F1) .....	9-8
9.1.17	SDMA_TIM—Synchronous DMA Timing Register (IDE—D31:F1) .....	9-9
9.1.18	IDE_CONFIG—IDE I/O Configuration Register .....	9-10
9.2	Bus Master IDE I/O Registers (D31:F1) .....	9-11
9.2.1	BMIC[P,S]—Bus Master IDE Command Register .....	9-12
9.2.2	BMIS[P,S]—Bus Master IDE Status Register .....	9-13
9.2.3	BMID[P,S]—Bus Master IDE Descriptor Table Pointer Register ...	9-13
10	USB Controller Registers (D31:F2) .....	10-1
10.1	PCI Configuration Registers (D31:F2) .....	10-1
10.1.1	VID—Vendor Identification Register (USB—D31:F2) .....	10-2
10.1.2	DID—Device Identification Register (USB—D31:F2) .....	10-2
10.1.3	CMD—Command Register (USB—D31:F2) .....	10-2
10.1.4	STA—Device Status Register (USB—D31:F2) .....	10-3
10.1.5	RID—Revision Identification Register (USB—D31:F2) .....	10-3
10.1.6	PI—Programming Interface (USB—D31:F2) .....	10-3
10.1.7	SCC—Sub Class Code Register (USB—D31:F2) .....	10-4
10.1.8	BCC—Base Class Code Register (USB—D31:F2) .....	10-4
10.1.9	HEADTYP—Header Type Register (USB—D31:F2) .....	10-4
10.1.10	BASE—Base Address Register (USB—D31:F2) .....	10-4
10.1.11	SVID—Subsystem Vendor ID Register (USB—D31:F2) .....	10-5
10.1.12	SID—Subsystem ID Register (USB—D31:F2) .....	10-5
10.1.13	INTR_LN—Interrupt Line Register (USB—D31:F2) .....	10-5
10.1.14	INTR_PN—Interrupt Pin Register (USB—D31:F2) .....	10-5
10.1.15	SB_RELNUM—Serial Bus Release Number Register (USB—D31:F2) .....	10-6
10.1.16	USB_LEGKEY—USB Legacy Keyboard/Mouse Control Register (USB—D31:F2) .....	10-6
10.1.17	USB_RES—USB Resume Enable Register (USB—D31:F2) .....	10-7

10.2	USB I/O Registers .....	10-8
10.2.1	USBCMD—USB Command Register .....	10-8
10.2.2	USBSTA—USB Status Register .....	10-11
10.2.3	USBINTR—Interrupt Enable Register .....	10-12
10.2.4	FRNUM—Frame Number Register .....	10-12
10.2.5	FRBASEADD—Frame List Base Address .....	10-13
10.2.6	SOFMOD—Start of Frame Modify Register .....	10-13
10.2.7	PORTSC[0,1]—Port Status and Control Register .....	10-14
11	SMBus Controller Registers (D31:F3) .....	11-1
11.1	PCI Configuration Registers (SMBUS—D31:F3) .....	11-1
11.1.1	VID—Vendor Identification Register (SMBUS—D31:F3) .....	11-2
11.1.2	DID—Device Identification Register (SMBUS—D31:F3) .....	11-2
11.1.3	CMD—Command Register (SMBUS—D31:F3) .....	11-2
11.1.4	STA—Device Status Register (SMBUS—D31:F3) .....	11-3
11.1.5	RID—Revision ID Register (SMBUS—D31:F3) .....	11-3
11.1.6	PI—Programming Interface (SMBUS—D31:F3) .....	11-3
11.1.7	SCC—Sub Class Code Register (SMBUS—D31:F3) .....	11-4
11.1.8	BCC—Base Class Code Register (SMBUS—D31:F3) .....	11-4
11.1.9	HEADTYP—Header Type Register (SMBUS—D31:F3) .....	11-4
11.1.10	SMB_BASE—SMBus Base Address Register (SMBUS—D31:F3) .....	11-4
11.1.11	SVID—Subsystem Vendor ID Register (SMBUS—D31:F3) .....	11-5
11.1.12	SID—Subsystem ID Register (SMBUS—D31:F3) .....	11-5
11.1.13	INTR_LN—Interrupt Line Register (SMBUS—D31:F3) .....	11-5
11.1.14	INTR_PN—Interrupt Pin Register (SMBUS—D31:F3) .....	11-5
11.1.15	HOSTC—Host Configuration Register (SMBUS—D31:F3) .....	11-6
11.2	SMBus I/O Registers .....	11-6
11.2.1	HST_STA—Host Status Register .....	11-7
11.2.2	HST_CNT—Host Control Register .....	11-8
11.2.3	HST_CMD—Host Command Register .....	11-9
11.2.4	XMIT_SLVA—Transmit Slave Address Register .....	11-9
11.2.5	D0—Data 0 Register .....	11-9
11.2.6	D1—Data 1 Register .....	11-9
11.2.7	BLOCK_DB—Block Data Byte Register .....	11-10
12	AC'97 Audio Controller Registers (D31:F5) .....	12-1
12.1	AC'97 Audio PCI Configuration Space (D31:F5) .....	12-1
12.1.1	VID—Vendor Identification Register (Audio—D31:F5) .....	12-2
12.1.2	DID—Device Identification Register (Audio—D31:F5) .....	12-2
12.1.3	PCICMD—PCI Command Register (Audio—D31:F5) .....	12-2
12.1.4	PCISTA—PCI Device Status Register (Audio—D31:F5) .....	12-3
12.1.5	RID—Revision Identification Register (Audio—D31:F5) .....	12-3
12.1.6	PI—Programming Interface Register (Audio—D31:F5) .....	12-3
12.1.7	SCC—Sub Class Code Register (Audio—D31:F5) .....	12-4
12.1.8	BCC—Base Class Code Register (Audio—D31:F5) .....	12-4
12.1.9	HEADTYP—Header Type Register (Audio—D31:F5) .....	12-4
12.1.10	NAMBAR—Native Audio Mixer Base Address Register (Audio—D31:F5) .....	12-5
12.1.11	NABMBAR—Native Audio Bus Mastering Base Address Register (Audio—D31:F5) .....	12-5
12.1.12	SVID—Subsystem Vendor ID Register (Audio—D31:F5) .....	12-6





	12.1.13	SID—Subsystem ID Register (Audio—D31:F5).....	12-6
	12.1.14	INTR_LN—Interrupt Line Register (Audio—D31:F5).....	12-6
	12.1.15	INTR_PN—Interrupt Pin Register (Audio—D31:F5).....	12-7
12.2		AC'97 Audio I/O Space (D31:F5).....	12-7
	12.2.1	x_BDBAR—Buffer Descriptor Base Address Register .....	12-10
	12.2.2	x_CIV—Current Index Value Register .....	12-10
	12.2.3	x_LVI—Last Valid Index Register .....	12-10
	12.2.4	x_SR—Status Register .....	12-11
	12.2.5	x_PICB—Position In Current Buffer Register .....	12-12
	12.2.6	x_PIV—Prefetched Index Value Register .....	12-12
	12.2.7	x_CR—Control Register .....	12-13
	12.2.8	GLOB_CNT—Global Control Register.....	12-14
	12.2.9	GLOB_STA—Global Status Register .....	12-14
	12.2.10	CAS—Codec Access Semaphore Register .....	12-16
13		AC '97 Modem Controller Registers (D31:F6) .....	13-1
13.1		AC '97 Modem PCI Configuration Space (D31:F6) .....	13-1
	13.1.1	VID—Vendor Identification Register (Modem—D31:F6) .....	13-2
	13.1.2	DID—Device Identification Register (Modem—D31:F6) .....	13-2
	13.1.3	PCICMD—PCI Command Register (Modem—D31:F6) .....	13-2
	13.1.4	PCISTA—Device Status Register (Modem—D31:F6) .....	13-3
	13.1.5	RID—Revision Identification Register (Modem—D31:F6) .....	13-3
	13.1.6	PI—Programming Interface Register (Modem—D31:F6) .....	13-3
	13.1.7	SCC—Sub Class Code Register (Modem—D31:F6).....	13-4
	13.1.8	BCC—Base Class Code Register (Modem—D31:F6) .....	13-4
	13.1.9	HEDTYP—Header Type Register (Modem—D31:F6).....	13-4
	13.1.10	MMBAR—Modem Mixer Base Address Register (Modem—D31:F6) .....	13-5
	13.1.11	MBAR—Modem Base Address Register (Modem—D31:F6) .....	13-5
	13.1.12	SVID—Subsystem Vendor ID (Modem—D31:F6) .....	13-6
	13.1.13	SID—Subsystem ID (Modem—D31:F6) .....	13-6
	13.1.14	INTR_LN—Interrupt Line Register (Modem—D31:F6) .....	13-7
	13.1.15	INT_PIN—Interrupt Pin (Modem—D31:F6) .....	13-7
13.2		AC'97 Modem I/O Space (D31:F6).....	13-8
	13.2.1	x_BDBAR—Buffer Descriptor List Base Address Register .....	13-10
	13.2.2	x_CIV—Current Index Value Register .....	13-10
	13.2.3	x_LVI—Last Valid Index Register .....	13-10
	13.2.4	x_SR—Status Register .....	13-11
	13.2.5	x_PICB—Position In Current Buffer Register .....	13-12
	13.2.6	x_PIV—Prefetch Index Value Register .....	13-12
	13.2.7	x_CR—Control Register .....	13-13
	13.2.8	GLOB_CNT—Global Control Register.....	13-14
	13.2.9	GLOB_STA—Global Status Register .....	13-14
	13.2.10	CAS—Codec Access Semaphore Register .....	13-15
14		Electrical Characteristics.....	14-1
	14.1	Absolute Maximum Ratings .....	14-1
	14.2	Thermal Characteristics .....	14-1
	14.3	D.C. Characteristics .....	14-1
	14.4	A.C. Characteristics .....	14-6
	14.5	Timing Diagrams.....	14-16

15	Pinout and Package Information.....	15-1
	15.1 Pinout Information.....	15-1
	15.2 Package Information.....	15-8
16	Testability.....	16-1
	16.2 Tri-state Mode.....	16-2
	16.3 NAND tree Mode .....	16-2
A	Register Index.....	A-1
B	Register Bit Index .....	B-1



## Revision History

Revision	Description	Date
-001	Initial Release	April 1999
002	<ul style="list-style-type: none"><li>• Editorial changes throughout for clarity.</li><li>• Added SVID Register (2Ch) and SID Register (2Eh) to the following functions:<ul style="list-style-type: none"><li>- IDE Controller (D31:F1)</li><li>- USB Controller (D31:F2)</li><li>- SMBus Controller (D31:F3)</li></ul></li><li>• Ballout Change: Ball G3 has changed from Vss to a No Connect.</li><li>• Change to Figure 2-1, "Required External RTC Circuit". C1 capacitor value changed from 0.047 uF to 2200 pF.</li><li>• Chapter 14, "Electrical Characteristics. Made the following changes:<ul style="list-style-type: none"><li>- Table 14-5. VOL2 changed from 0.4V max to 0.45V max; the corresponding IOL2 changed from 10 mA to 16 mA.</li><li>- Table 14-7. The previous revision had TBDs for the Hub Interface timings t31-t34. The TBDs have been replaced timing values.</li></ul></li><li>• Updated the notes at the beginning of:<ul style="list-style-type: none"><li>- Section 5.1.1, "PCI Bus Timing".</li><li>- Section 5.2, "LPC Bridge".</li><li>- Section 5.12.5.4,</li><li>- Section 5.15, "USB Controller (Device 31:Function2)".</li><li>- Section 5.17, "ICH/97 2.1 Functional description".</li></ul></li><li>• Clarified IRQEN Bit description (Section 8.1.16, "PIRQ[n]_ROUT—PIRQ[A,B,C,D] Routing Control (LPC I/F—D31:F0)").</li><li>• Added Register Bit Index (Appendix B)</li></ul>	June 1999



# Introduction

# 1

The ICH is a highly integrated multifunctional I/O Controller Hub that provides the interface to the PCI Bus and integrates many of the functions needed in today's PC platforms. The ICH communicates with the host controller over a dedicated hub interface. There are two versions of the ICH (82801AA: ICH and 82801AB: ICH0). This provides added flexibility in designing cost-effective system solutions. These devices are pin compatible and are in 241-pin packages.

This datasheet describes the 82801AA (ICH) and 82801AB (ICH0) components. Unless otherwise specified, all non-shaded areas describe the functionality of both components. In the non-shaded areas, the term I/O Controller Hub (ICH) refers to both the 82801AB and 82801AA products. Shading, as is shown here, indicates differences between the two components. In the shaded areas ICH refers to the 82801AA and ICH0 refers to the 82801AB.

## 1.1 About this Manual

This datasheet is intended for Original Equipment Manufacturers and BIOS vendors creating ICH-based products. The datasheet assumes a working knowledge of the vocabulary and principles of USB, IDE, AC'97, SMBus, PCI, ACPI and LPC. Although some details of these features are described within this datasheet, refer to the individual industry specifications listed in [Table 1-1](#) for additional details.

**Table 1-1. Industry Specifications**

Specification	Location
LPC	<a href="http://developer.intel.com/design/pcisets/lpc/">http://developer.intel.com/design/pcisets/lpc/</a>
AC'97	<a href="http://developer.intel.com/pc-supply/platform/ac97/">http://developer.intel.com/pc-supply/platform/ac97/</a>
SMBus	<a href="http://www.sbs-forum.org/specs.htm">http://www.sbs-forum.org/specs.htm</a>
PCI	<a href="http://pcisig.com/specs.htm">http://pcisig.com/specs.htm</a>
USB	<a href="http://www.teleport.com/~usb/docs.htm">http://www.teleport.com/~usb/docs.htm</a>
ACPI	<a href="http://www.teleport.com/~acpi/">http://www.teleport.com/~acpi/</a>

### Chapter 1. Introduction

Chapter 1 introduces the ICH and provides information on datasheet organization.

### Chapter 2. Signal Description

Chapter 2 provides a detailed description of each ICH signal. Signals are arranged according to interface and details are provided as to the drive characteristics (Input/Output, Open Drain, etc.) of the signals.

### Chapter 3. ICH Power Planes and Pin States

Chapter 3 provides a complete list of signals, their associated power well, their logic level in each suspend state, and their logic level before and after reset.

### Chapter 4. ICH and System Clock Domains

Chapter 4 provides a list of each clock domain associated with the ICH in an ICH-based system.

**Chapter 5. Functional Description**

Chapter 5 provides a detailed description of the functions in the ICH. All functions in this datasheet are abbreviated using the following nomenclature; Device:Function. This manual abbreviates devices with D30 and D31 and functions with F0, F1, F2, F3, F4, F5 and F6. For example, Device 31 Function 5 is abbreviated as D31:F5.

**Chapter 6. Register Memory and I/O Address Maps**

Chapter 6 provides an overview of the registers, fixed I/O ranges, variable I/O ranges, and memory ranges decoded by the ICH.

**Chapter 7. Hub Interface to PCI Bridge Registers**

Chapter 7 provides a detail description of all registers that reside in the Hub Link to PCI bridge. This bridge resides at Device 30, Function 0 (D30:F0).

**Chapter 8. LPC Bridge Registers**

Chapter 8 provides a detail description of all registers that reside in the LPC bridge. This bridge resides at Device 31, Function 0 (D31:F0). This function contains registers for many different units within the ICH including DMA, Timers, Interrupts, Processor Interface, GPIO, Power Management, System Management and RTC.

**Chapter 9. IDE Controller Registers**

Chapter 9 provides a detail description of all registers that reside in the IDE controller. This controller resides at Device 31, Function 1 (D31:F1).

**Chapter 10. USB Controller Registers**

Chapter 10 provides a detail description of all registers that reside in the USB controller. This controller resides at Device 31, Function 2 (D31:F2).

**Chapter 11. SMBus Controller Registers**

Chapter 11 provides a detail description of all registers that reside in the SMBus controller. This controller resides at Device 31, Function 3 (D31:F3).

**Chapter 12. AC'97 Audio Controller Registers**

Chapter 12 provides a detail description of all registers that reside in the audio controller. This controller resides at Device 31, Function 5 (D31:F5). Note that this section of the EDS does not include the native audio mixer registers. Accesses to the mixer registers are forwarded over the AC-link to the codec where the registers reside.

**Chapter 13. AC'97 Modem Controller Registers**

Chapter 13 provides a detail description of all registers that reside in the modem controller. This controller resides at Device 31, Function 6 (D31:F6). Note that this section of the EDS does not include the modem mixer registers. Accesses to the mixer registers are forwarded over the AC-link to the codec where the registers reside.

**Chapter 14. Electrical Characteristics**

Chapter 14 provides all AC and DC characteristics including detailed timing diagrams.

**Chapter 15. Pinout and Package Information**

Chapter 15 provides a table of each signal and its ball assignment in the 241 BGA package. A footprint of the ballout is also provided. This chapter also provides the physical dimensions and characteristics of the 241 BGA package.

**Chapter 16. Testability**

Chapter 17 provides details about the implementation of two test modes provided in the ICH; NAND Tree and High-Z.

**Appendix A. Register Index**

Appendix A provides a list of registers and the location within the datasheet where the register description can be found.

**Appendix B. Register Bit Index**

Appendix B provides an alphabetical list of the register bits (by bit name) and the location within the datasheet where the register bit description can be found.

## 1.2 Overview

Both ICH (82801AA) and ICH0 (82801AB) provide extensive I/O support. The 82801AA (ICH) / 82801AB (ICH0) functions and capabilities include:

- PCI Rev 2.2 compliant with support for 33 MHz PCI operations.
- PCI slots:  
 ICH0 Supports up to 4 Req/Gnt pairs;  
 ICH supports up to 6 Req/Gnt pairs
- ACPI Power Management Logic Support
- Enhanced DMA Controller, Interrupt Controller and Timer Functions
- Integrated IDE controller support.  
 :ICH0 supports Ultra ATA/33  
 ICH supports Ultra ATA/66)
- USB host interface with support for 2 USB ports
- System Management Bus (SMBus) with additional support for I<sup>2</sup>C devices
- AC'97 2.1 Compliant Link for Audio and Telephony CODECs
- Low Pin Count (LPC) interface
- Firmware Hub (FWH) interface support:.
- Alert On LAN\* (82801AA ICH only)

The ICH incorporates a variety of PCI functions that are divided into two logical devices (30 and 31). Device 30 is the Hub Interface-To-PCI bridge. Device 31 contains all the other PCI functions as shown in [Table 1-2](#).

**Table 1-2. PCI Devices and Functions**

Device:Function	Function Description
Device 30:Function 0	Hub Interface to PCI Bridge
Device 31:Function 0	PCI to LPC Bridge (includes: DMA, Timers, compatible interrupt controller, APIC, RTC, processor interface control, power management control, System Management control, and GPIO control)
Device 31:Function 1	IDE Controller
Device 31:Function 2	USB Controller
Device 31:Function 3	SMBus Controller
Device 31:Function 4	Reserved
Device 31:Function 5	AC'97 Audio Controller
Device 31:Function 6	AC'97 Modem Controller

The following sub-sections provide an overview of I/O Controller Hub capabilities.

## Hub Architecture

As I/O speeds increase, the demand placed on the PCI bus by the I/O bridge has become significant. With the addition of AC'97 and Ultra ATA/66, coupled with the existing USB, I/O requirements could impact PCI bus performance. The Intel® 810 chipset's *hub interface architecture* ensures that the I/O subsystem; both PCI and the integrated I/O features (IDE, AC'97, USB, etc.), will receive adequate bandwidth. By placing the I/O bridge on the hub interface (instead of PCI), the hub architecture ensures that both the I/O functions integrated into the ICH and the PCI peripherals obtain the bandwidth necessary for peak performance.

## PCI Interface

The ICH PCI interface provides a 33 MHz, Rev. 2.2 compliant implementation. All PCI signals are 5V tolerant, except PME#. The ICH integrates a PCI arbiter that supports up to four (ICH0: 82801AB) or six (ICH: 82801AA) external PCI bus masters in addition to the internal ICH requests.

## IDE Interface (Bus Master capability and synchronous DMA Mode)

The fast IDE interface supports up to four IDE devices providing an interface for IDE hard disks and CD ROMs. Each IDE device can have independent timings. The IDE interface supports PIO IDE transfers up to 14 Mbytes/sec and Bus Master IDE transfers up to 33 Mbytes/sec for the ICH0 (82801AB) and 66 Mbytes/sec for the ICH (82801AA). It does not consume any ISA DMA resources. The IDE interface integrates 16x32-bit buffers for optimal transfers.

The ICH's IDE system contains two independent IDE signal channels. They can be electrically isolated independently. They can be configured to the standard primary and secondary channels (four devices). There are integrated series resistors on the data and control lines (see [Section 5.14](#), "IDE Controller (D31:F1)" on page 5-66 for details).

## Low Pin Count (LPC) Interface

The ICH implements an LPC Interface as described in the LPC 1.0 specification. The Low Pin Count (LPC) Bridge function of the ICH resides in PCI Device 31:Function 0. In addition to the LPC bridge interface function, D31:F0 contains other functional units including DMA, Interrupt Controllers, Timers, Power Management, System Management, GPIO, and RTC.

Note that in the Intel® 810 chipset platform, the Super I/O (SIO) component has migrated to the Low Pin Count (LPC) interface. Migration to the LPC interface allows for lower cost Super I/O designs.



## Compatibility Modules (DMA Controller, Timer/Counters, Interrupt Controller)

The DMA controller incorporates the logic of two 82C37 DMA controllers, with seven independently programmable channels. Channels [0:3] are hardwired to 8-bit, count-by-byte transfers, and channels [5:7] are hardwired to 16-bit, count-by-word transfers. Any two of the seven DMA channels can be programmed to support fast Type-F transfers.

The ICH supports two types of DMA (LPC and PC/PCI). DMA via LPC is similar to ISA DMA. LPC DMA and PC/PCI DMA use the ICH's DMA controller. The PC/PCI protocol allows PCI-based peripherals to initiate DMA cycles by encoding requests and grants via two PC/PCI REQ#/GNT# pairs.

LPC DMA is handled through the use of the LDRQ# lines from peripherals and special encodings on LAD[3:0] from the host. Single, Demand, Verify, and Increment modes are supported on the LPC interface. Channel's 0 - 3 are 8 bit channels. Channel's 5 - 7 are 16 bit channels. Channel 4 is reserved as a generic bus master request.

The timer/counter block contains three counters that are equivalent in function to those found in one 82C54 programmable interval timer. These three counters are combined to provide the system timer function, and speaker tone. The 14.31818-MHz oscillator input provides the clock source for these three counters.

The ICH provides an ISA-Compatible interrupt controller that incorporates the functionality of two 82C59 interrupt controllers. The two interrupt controllers are cascaded so that 14 external and two internal interrupts are possible. In addition, the ICH supports a serial interrupt scheme.

All of the registers in these modules can be read and restored. This is required to save and restore system state after power has been removed and restored to the circuit.

## Advanced Programmable Interrupt Controller (APIC)

In addition to the standard ISA compatible interrupt controller (PIC) described in the previous section, the ICH incorporates the Advanced Programmable Interrupt Controller (APIC). While the standard interrupt controller is intended for use in a uni-processor system, APIC can be used in either a uni-processor or multi-processor system.

## Enhanced Universal Serial Bus (USB) Controller

The USB controller provides enhanced support for the Universal Host Controller Interface (UHCI). This includes support that allows legacy software to use a USB-based keyboard and mouse. The ICH is USB Revision 1.1 compliant.

## RTC

The ICH contains a Motorola\* MC146818A-compatible real-time clock with 256 bytes of battery-backed RAM. The real-time clock performs two key functions: keeping track of the time of day and storing system data, even when the system is powered down. The RTC operates on a 32.768 KHz crystal and a separate 3V lithium battery that provides up to 7 years of protection.

The RTC also supports two lockable memory ranges. By setting bits in the configuration space, two 8-byte ranges can be locked to read and write accesses. This prevents unauthorized reading of passwords or other system security information.

The RTC also supports a date alarm, that allows for scheduling a wake up event up to 30 days in advance, rather than just 24 hours in advance.

## GPIO

Various general purpose inputs and outputs are provided for custom system design. The number of inputs and outputs varies depending on ICH configuration.

## Enhanced Power Management

The ICH's power management functions include enhanced clock control, local and global monitoring support for 14 individual devices, and various low-power (suspend) states (e.g., Suspend-to-DRAM and Suspend-to-Disk). A hardware-based thermal management circuit permits software-independent entrance to low-power states. The ICH contains full support for the Advanced Configuration and Power Interface (ACPI) Specification.

## System Management Bus (SMBus)

The ICH contains an SMBus Host interface that allows the processor to communicate with SMBus slaves. This interface is compatible with most I<sup>2</sup>C devices. Special I<sup>2</sup>C commands are implemented (e.g., the I<sup>2</sup>C Read that allows the ICH to perform block reads of I<sup>2</sup>C devices).

The ICH's SMBus host controller provides a mechanism for the processor to initiate communications with SMBus peripherals (slaves). The host controller supports seven SMBus interface command protocols for communicating with SMBus slave devices (see System Management Bus Specifications, Rev 1.0): Quick Command, Send Byte, Receive Byte, Write Byte/Word, Read Byte/Word, Process Call, and Block Read/Write.

## Manageability

The ICH integrates several functions designed to manage the system and lower the total cost of ownership (TCO) of the system. These system management functions are designed to report errors, diagnose the system, and recover from system lockups without the aid of an external microcontroller.

- **TCO Timer.** The ICH's integrated programmable TCO Timer is used to detect system locks. The first expiration of the timer generates an SMI# that the system can use to recover from a software lock. The second expiration of the timer causes a system reset to recover from a hardware lock.
- **Processor Present Indicator.** The ICH looks for the processor to fetch the first instruction after reset. If the processor does not fetch the first instruction, the ICH will reboot the system at the safe-mode frequency multiplier.
- **ECC Error Reporting.** When detecting an ECC error, the host controller has the ability to send one of several messages to the ICH. The host controller can instruct the ICH to generate either an SMI#, NMI, SERR#, or TCO interrupt.
- **Function Disable.** The ICH provides the ability to disable the following functions: AC'97 Modem, AC'97 Audio, IDE, USB, or SMBus. Once disabled, these functions no longer decode I/O, memory, or PCI configuration space. Also, no interrupts or power management events are generated from the disable functions.
- **Intruder Detect.** The ICH provides an input signal (INTRUDER#) that can be attached to a switch that is activated by the system case being opened. The ICH can be programmed to generate an SMI# or TCO interrupt due to an active INTRUDER# signal.
- **SMBus.** The ICH integrates an SMBus controller that provides an interface to manage peripherals (e.g., serial presence detection (SPD) or RIMMs and thermal sensors).
- **Alert-On-LAN (82801AA only).** The ICH (82801AA only) supports Alert-On-LAN. In response to a TCO event (intruder detect, thermal event, processor not booting) the ICH sends a message over the SMBus. A LAN controller can decode this SMBus message and send a message over the network to alert the network manager.

## AC'97 2.1 Controller

The digital link in the ICH is AC'97 Revision 2.1 compliant, supporting two codecs with independent PCI functions for audio and modem. Microphone input and left and right audio channels are supported for a high-quality two-speaker audio solution. Wake on ring from suspend is also supported with an appropriate modem codec.

The *Audio Codec '97 (AC'97) Specification* defines a digital link that can be used to attach an audio codec (AC), a modem codec (MC), an audio/modem codec (AMC), or both an AC and an MC. The AC'97 Specification defines the interface between the system logic and the audio or modem codec known as the *AC'97 Digital Link*.

The ability to add cost-effective audio and modem solutions as the platform migrates away from ISA is important. In addition, the AC'97 audio and modem components are software configurable. This reduces configuration errors. The ICH's AC'97 (with the appropriate codecs) not only replaces ISA audio and modem functionality, but also improves overall platform integration by incorporating the AC'97 digital link. Using the ICH's integrated AC'97 digital link reduces cost and eases migration from ISA.

By using an audio codec, the AC'97 digital link allows for cost-effective, high-quality, integrated audio using the ICH. In addition, an AC'97 soft modem can be implemented with the use of a modem codec. Several system options exist when implementing AC'97. The ICH's integrated digital link allows two external codecs to be connected to the ICH. The system designer can provide audio with an audio codec, or a modem with a modem codec. For system requiring both audio and a modem, there are two solutions. The audio codec and the modem codec can be integrated into an AMC or separate audio and modem codecs can be connected to the ICH.

Modem implementation for different countries must be considered as telephone systems may vary. By using a split design, the audio codec can be on-board and the modem codec can be placed on a riser. Intel is developing an AC'97 digital link connector. With a single integrated codec (or AMC), both audio and modem can be routed to a connector near the rear panel where the external ports can be located.

# Signal Description

# 2

This chapter provides a detailed description of each signal. The signals are arranged in functional groups according to their associated interface.

The “#” symbol at the end of the signal name indicates that the active, or asserted state occurs when the signal is at a low voltage level. When “#” is not present, the signal is asserted when at the high voltage level.

The following notations are used to describe the signal type:

<b>I</b>	Input Pin
<b>O</b>	Output Pin
<b>OD</b>	Open Drain Output Pin.
<b>I/O</b>	Bi-directional Input / Output Pin.

## 2.1 Hub Interface

**Table 2-1. Hub Interface Signals**

Name	Type	Description
HL[10:0]	I/O	<b>Hub Interface Signals.</b>
HL[11] (ICH only)	I/O	<b>Hub Interface Signals (82801AA ICH only).</b>
HL_STB	I/O	<b>Hub Interface Strobe:</b> One of two differential strobe signals used to transmit and receive data through the hub interface.
HL_STB#	I/O	<b>Hub Interface Strobe Complement:</b> Second of the two differential strobe signals.
HLCOMP	I/O	<b>Hub Interface Compensation:</b> Used for Hub Interface buffer compensation.

## 2.2 Firmware Hub Interface

**Table 2-2. Firmware Hub Interface Signals**

Name	Type	Description
FWH[3:0] / LAD[3:0]	I/O	<b>Firmware Hub Signals.</b>
FWH[4] / LFRAME#	I/O	<b>Firmware Hub Signals</b>

## 2.3 PCI Interface

Table 2-3. PCI Interface Signals (Sheet 1 of 3)

Name	Type	Description																								
AD[31:0]	I/O	<b>PCI Address/Data:</b> AD[31:0] is a multiplexed address and data bus. During the first clock of a transaction, AD[31:0] contain a physical address (32 bits). During subsequent clocks, AD[31:0] contain data. The ICH drives all 0's on AD[31:0] during the address phase of PCI Interrupt Acknowledge cycles.																								
C/BE[3:0]#	I/O	<p><b>Bus Command and Byte Enables:</b> The command and byte enable signals are multiplexed on the same PCI pins. During the address phase of a transaction, C/BE[3:0]# define the bus command. During the data phase, C/BE[3:0]# define the Byte Enables.</p> <table border="0"> <tr> <td><b>C/BE[3:0]#</b></td> <td><b>Command Type</b></td> </tr> <tr> <td>0 0 0 0</td> <td>Interrupt Acknowledge</td> </tr> <tr> <td>0 0 0 1</td> <td>Special Cycle</td> </tr> <tr> <td>0 0 1 0</td> <td>I/O Read</td> </tr> <tr> <td>0 0 1 1</td> <td>I/O Write</td> </tr> <tr> <td>0 1 1 0</td> <td>Memory Read</td> </tr> <tr> <td>0 1 1 1</td> <td>Memory Write</td> </tr> <tr> <td>1 0 1 0</td> <td>Configuration Read</td> </tr> <tr> <td>1 0 1 1</td> <td>Configuration Write</td> </tr> <tr> <td>1 1 0 0</td> <td>Memory Read Multiple</td> </tr> <tr> <td>1 1 1 0</td> <td>Memory Read Line</td> </tr> <tr> <td>1 1 1 1</td> <td>Memory Write and Invalidate</td> </tr> </table> <p><b>NOTE:</b> All command encodings not shown are reserved. The ICH does not decode reserved values, and, therefore, does not respond if a PCI master generates a cycle using one of the reserved values.</p>	<b>C/BE[3:0]#</b>	<b>Command Type</b>	0 0 0 0	Interrupt Acknowledge	0 0 0 1	Special Cycle	0 0 1 0	I/O Read	0 0 1 1	I/O Write	0 1 1 0	Memory Read	0 1 1 1	Memory Write	1 0 1 0	Configuration Read	1 0 1 1	Configuration Write	1 1 0 0	Memory Read Multiple	1 1 1 0	Memory Read Line	1 1 1 1	Memory Write and Invalidate
<b>C/BE[3:0]#</b>	<b>Command Type</b>																									
0 0 0 0	Interrupt Acknowledge																									
0 0 0 1	Special Cycle																									
0 0 1 0	I/O Read																									
0 0 1 1	I/O Write																									
0 1 1 0	Memory Read																									
0 1 1 1	Memory Write																									
1 0 1 0	Configuration Read																									
1 0 1 1	Configuration Write																									
1 1 0 0	Memory Read Multiple																									
1 1 1 0	Memory Read Line																									
1 1 1 1	Memory Write and Invalidate																									
DEVSEL#	I/O	<b>Device Select:</b> The ICH asserts DEVSEL# to claim a PCI transaction. As an output, the ICH asserts DEVSEL# when a PCI master peripheral attempts an access to an internal ICH register or main memory. As an input, DEVSEL# indicates the response to an ICH-initiated transaction on the PCI bus. DEVSEL# is tri-stated from the leading edge of PCIRST#. DEVSEL# remains tri-stated by the ICH until driven by a Target device.																								
FRAME#	I/O	<b>Cycle Frame:</b> The current Initiator drives FRAME# to indicate the beginning and duration of a PCI transaction. While the initiator asserts FRAME#, data transfers continue. When the initiator negates FRAME#, the transaction is in the final data phase. FRAME# is an input to the ICH when the ICH is the target, and FRAME# is an output from the ICH when the ICH is the Initiator. FRAME# remains tri-stated by the ICH until driven by an Initiator.																								
IRDY#	I/O	<b>Initiator Ready:</b> IRDY# indicates the ICH's ability, as an Initiator, to complete the current data phase of the transaction. It is used in conjunction with TRDY#. A data phase is completed on any clock both IRDY# and TRDY# are sampled asserted. During a write, IRDY# indicates the ICH has valid data present on AD[31:0]. During a read, it indicates the ICH is prepared to latch data. IRDY# is an input to the ICH when the ICH is the Target and an output from the ICH when the ICH is an Initiator. IRDY# remains tri-stated by the ICH until driven by an Initiator.																								
TRDY#	I/O	<b>Target Ready:</b> TRDY# indicates the ICH's ability as a Target to complete the current data phase of the transaction. TRDY# is used in conjunction with IRDY#. A data phase is completed when both TRDY# and IRDY# are sampled asserted. During a read, TRDY# indicates that the ICH, as a Target, has placed valid data on AD[31:0]. During a write, TRDY# indicates the ICH, as a Target is prepared to latch data. TRDY# is an input to the ICH when the ICH is the Initiator and an output from the ICH when the ICH is a Target. TRDY# is tri-stated from the leading edge of PCIRST#. TRDY# remains tri-stated by the ICH until driven by a target.																								

Table 2-3. PCI Interface Signals (Sheet 2 of 3)

Name	Type	Description
<b>STOP#</b>	I/O	<b>Stop:</b> STOP# indicates that the ICH, as a Target, is requesting the Initiator to stop the current transaction. STOP# causes the ICH, as an Initiator, to stop the current transaction. STOP# is an output when the ICH is a Target and an input when the ICH is an Initiator. STOP# is tri-stated from the leading edge of PCIRST#. STOP# remains tri-stated until driven by the ICH.
<b>PAR</b>	I/O	<b>Calculated/Checked Parity:</b> PAR uses "even" parity calculated on 36 bits, AD[31:0] plus C/BE[3:0]#. "Even" parity means that the ICH counts the number of "1"s within the 36 bits plus PAR and the sum is always even. The ICH always calculates PAR on 36 bits regardless of the valid byte enables. The ICH generates PAR for address and data phases and only guarantees PAR to be valid one PCI clock after the corresponding address or data phase. The ICH drives and tri-states PAR identically to the AD[31:0] lines except that the ICH delays PAR by exactly one PCI clock. PAR is an output during the address phase (delayed one clock) for all ICH initiated transactions. PAR is an output during the data phase (delayed one clock) when the ICH is the Initiator of a PCI write transaction, and when it is the Target of a read transaction. ICH checks parity when it is the Target of a PCI write transaction. If a parity error is detected, the ICH sets the appropriate internal status bits and has the option to generate an NMI# or SMI#.
<b>PERR# / GPIO[7] (ICH only)</b>	I/O	<b>Parity Error (82801AA ICH only):</b> An external PCI device drives PERR# when it receives data that has a parity error. For the 82801AA, the ICH drives PERR# when it detects a parity error. The ICH can either generate an NMI# or SMI# upon detecting a parity error (either detected internally or reported via the PERR# signal). If this signal is not used for PERR#, it can instead be used as a GPIO.  <b>NOTE:</b> GPIO[7] is a non-multiplexed signal on the ICH0 (82801AB).
<b>REQ[0:3]#</b>	I	<b>PCI Requests (REQ[0:3]):</b>  <b>NOTE:</b> Note:REQ[0]# is programmable to have improved arbitration latency for supporting PCI-based 1394 controllers.
<b>REQ[4]# REQ[5]# / REQ[B]# / GPIO[1] (ICH only)</b>	I	<b>PCI Requests (REQ[4,5]) (82801AA ICH only):</b> REQ[5]# is multiplexed with PC/PCI REQ[B]# (must choose one or the other, but not both). If not used for PCI or PC/PCI, REQ[5]#/REQ[B]# can instead be used as GPIO[1].  <b>NOTES:</b> 1. REQ[B]# and GPIO[1] are on both the ICH (82801AA) and ICH0 (82801AB) components. 2. GPIO[1] is only multiplexed with REQ[B]# on the ICH0 (82801AB).
<b>GNT[0:3]#</b>	O	<b>PCI Grants:</b> Pullup resistors are not required on these signals. If pullups are used, they should be tied to the Vcc3_3 power rail.
<b>GNT[4]# GNT[5]# / GNT[B]# / GPIO[17]# (ICH only)</b>	O	<b>PCI Grants (GNT[4,5]) (82801AA ICH only):</b> Pullup resistors are not required on these signals. If pullups are used, they should be tied to the Vcc3_3 power rail. GNT[5]# is multiplexed with PC/PCI GNT[B]# (must choose one or the other, but not both). If not needed for PCI or PC/PCI, GNT[5]# can instead be used as a GPIO.  <b>NOTES:</b> 1. GNT[B]# and GPIO[17] are on both the ICH (82801AA) and ICH0 (82801AB) components. 2. GPIO[17] is only multiplexed with GNT[B]# on the ICH0 (82801AB).
<b>PCICLK</b>	I	<b>PCI Clock:</b> 33 MHz clock. PCICLK provides timing for all transactions on the PCI Bus.
<b>PCIRST#</b>	O	<b>PCI Reset:</b> ICH asserts PCIRST# to reset devices that reside on the PCI bus. The ICH asserts PCIRST# during power-up and when S/W initiates a hard reset sequence through the RC (CF9h) register. The ICH drives PCIRST# inactive a minimum of 1 ms after PWROK is driven active. The ICH drives PCIRST# active a minimum of 1 ms when initiated through the RC register.
<b>PLOCK#</b>	I/O	<b>PCI Lock:</b> Indicates an exclusive bus operation and may require multiple transactions to complete. ICH asserts PLOCK# when it performs non-exclusive transactions on the PCI bus. PLOCK# is ignored when PCI masters are granted the bus.

Table 2-3. PCI Interface Signals (Sheet 3 of 3)

Name	Type	Description
<b>SERR#</b>	I	<b>System Error:</b> SERR# can be pulsed active by any PCI device that detects a system error condition. Upon sampling SERR# active, the ICH has the ability to generate an NMI, SMI#, or interrupt.
<b>PME#</b>	I	<b>PCI Power Management Event:</b> PCI peripherals drive PME# to wake the system from low-power states S1-S5.
<b>REQ[A]# /</b> GPIO [0] <b>REQ[B]# /</b> REQ[5]# / GPIO[1]	I	<b>PC/PCI DMA Request [A:B]:</b> This request serializes ISA-like DMA Requests for the purpose of running ISA-compatible DMA cycles over the PCI bus. This is used by devices such as PCI based Super I/O or audio codecs which need to perform legacy 8237 DMA but have no ISA bus.  When not used for PC/PCI requests, these signals can be used as General Purpose Inputs. <b>NOTES:</b> 1. For the 82810AA, REQ[B]# can instead be used as the 6th PCI bus request. 2. REQ[5]# (shown in column 1) is only available on the ICH (82801AA).
<b>GNT[A]# /</b> GPIO[16] <b>GNT[B]# /</b> GNT[5]# / GPIO[17]	O	<b>PC/PCI DMA Acknowledges [A: B]:</b> This grant serializes an ISA-like DACK# for the purpose of running DMA/ISA Master cycles over the PCI bus. This is used by devices such as PCI based Super I/O or audio codecs that need to perform legacy 8237 DMA but have no ISA bus. External pull-up resistors are not required. If external pull-up resistors are used, they must be tied to the VCC3_3 power rail.  When not used for PC/PCI, these signals can be used as General Purpose Outputs. <b>NOTES:</b> 1. For the 82810AA, GNTB# can also be used as the 6th PCI bus master grant output. 2. GNT[5]# (shown in column 1) is only available on the ICH (82801AA).

## 2.4 IDE Interface

Table 2-4. IDE Interface Signals (Sheet 1 of 2)

Name	Type	Description
<b>PDCS1#,</b> <b>SDCS1#</b>	O	<b>Primary and Secondary IDE Device Chip Selects for 100 Range:</b> For ATA command register block. This output signal is connected to the corresponding signal on the primary or secondary IDE connector.
<b>PDCS3#,</b> <b>SDCS3#</b>	O	<b>Primary and Secondary IDE Device Chip Select for 300 Range:</b> For ATA control register block. This output signal is connected to the corresponding signal on the primary or secondary IDE connector.
<b>PDA[2:0],</b> <b>SDA[2:0]</b>	O	<b>Primary and Secondary IDE Device Address:</b> These output signals are connected to the corresponding signals on the primary or secondary IDE connectors. They are used to indicate which byte in either the ATA command block or control block is being addressed.
<b>PDD[15:0],</b> <b>SDD[15:0]</b>	I/O	<b>Primary and Secondary IDE Device Data:</b> These signals directly drive the corresponding signals on the primary or secondary IDE connector.
<b>PDDREQ,</b> <b>SDDREQ</b>	I	<b>Primary and Secondary IDE Device DMA Request:</b> These input signals are directly driven from the DRQ signals on the primary or secondary IDE connector. It is asserted by the IDE device to request a data transfer, and used in conjunction with the PCI bus master IDE function and are not associated with any AT compatible DMA channel.



Table 2-4. IDE Interface Signals (Sheet 2 of 2)

Name	Type	Description
<b>PDDACK#</b> , <b>SDDACK#</b>	O	<b>Primary and Secondary IDE Device DMA Acknowledge:</b> These signals directly drive the DAK# signals on the primary and secondary IDE connectors. Each is asserted by the ICH to indicate to IDE DMA slave devices that a given data transfer cycle (assertion of DIOR# or DIOW#) is a DMA data transfer cycle. This signal is used in conjunction with the PCI bus master IDE function and are not associated with any AT-compatible DMA channel.
<b>PDIOR# /</b> (PDWSTB / PRDMARDY#)  <b>SDIOR# /</b> (SDWSTB / SRDMARDY#)	O	<b>Primary and Secondary Disk I/O Read (PIO and Non-Ultra ATA):</b> This is the command to the IDE device that it may drive data onto the PDD or SDD lines. Data is latched by the ICH on the deassertion edge of PDIOR# or SDIOR#. The IDE device is selected either by the ATA register file chip selects (PDCS1# or SDCS1#, PDCS3# or SDCS3#) and the PDA or SDA lines, or the IDE DMA acknowledge (PDDAK# or SDDAK#).  <b>Primary and Secondary Disk Write Strobe (Ultra ATA Writes to Disk):</b> This is the data write strobe for writes to disk. When writing to disk, ICH drives valid data on rising and falling edges of PDWSTB or SDWSTB.  <b>Primary and Secondary Disk DMA Ready (Ultra ATA Reads from Disk):</b> This is the DMA ready for reads from disk. When reading from disk, ICH deasserts PRDMARDY# or SRDMARDY# to pause burst data transfers.
<b>PDIOW# /</b> (PDSTOP) <b>SDIOW# /</b> (SDSTOP)	O	<b>Primary and Secondary Disk I/O Write (PIO and Non-Ultra ATA):</b> This is the command to the IDE device that it may latch data from the PDD or SDD lines. Data is latched by the IDE device on the deassertion edge of PDIOW# or SDIOW#. The IDE device is selected either by the ATA register file chip selects (PDCS1# or SDCS1#, PDCS3# or SDCS3#) and the PDA or SDA lines, or the IDE DMA acknowledge (PDDAK# or SDDAK#).  <b>Primary and Secondary Disk Stop (Ultra ATA):</b> ICH asserts this signal to terminate a burst.
<b>PIORDY /</b> (PDRSTB / PWRDMARDY#)  <b>SIORDY /</b> (SDRSTB / SWDMARDY#)	I	<b>Primary and Secondary I/O Channel Ready (PIO):</b> This signal will keep the strobe active (PDIOR# or SDIOR# on reads, PDIOW# or SDIOW# on writes) longer than the minimum width. It adds wait states to PIO transfers.  <b>Primary and Secondary Disk Read Strobe (Ultra ATA Reads from Disk):</b> When reading from disk, ICH latches data on rising and falling edges of this signal from the disk.  <b>Primary and Secondary Disk DMA Ready (Ultra ATA Writes to Disk):</b> When writing to disk, this is deasserted by the disk to pause burst data transfers.

## 2.5 Low Pin Count (LPC) Interface

Table 2-5. LPC Interface Signals

Name	Type	Description
<b>LAD[3:0] /</b> FWH[3:0]	I/O	<b>LPC Multiplexed Command, Address, Data:</b> Internal pull-ups are provided.
<b>LFRAME# /</b> FWH[4]	O	<b>LPC Frame:</b> Indicates the start of an LPC cycle, or an abort.
<b>LDRQ[0]#</b>	I	<b>LPC Serial DMA/Master Request Inputs:</b> Used to request DMA or bus master access. Typically connected to external Super I/O device.
<b>LDRQ[1]# /</b> GPIO[8]	I	<b>LPC Serial DMA/Master Request Inputs:</b> Second DMA or bus master request. If LDRQ[1]# is not needed, it can be used as a General Purpose Input.

## 2.6 Interrupt Interface

Table 2-6. Interrupt Signals

Name	Type	Description
SERIRQ	I/O	<b>Serial Interrupt Request:</b> This pin implements the serial interrupt protocol.
PIRQ[A:D]#	I/OD	<b>PCI Interrupt Requests:</b> The PIRQx# signals can be routed to interrupts 3:7, 9:12, 14 or 15 as described in the Interrupt Steering section. Each PIRQx# line has a separate Route Control Register. In APIC mode, these signals are connected to the internal I/O APIC in the following fashion: PIRQA# is connected to IRQ16, PIRQB# to IRQ17, PIRQC# to IRQ18, and PIRQD# to IRQ19. This frees the ISA interrupts.
IRQ[14,15]	I	<b>Interrupt Request 14, 15:</b> These interrupt inputs are connected to the IDE drives. IRQ14 is used by the drives connected to the Primary controller and IRQ15 is used by the drives connected to the Secondary controller.
APICCLK	I	<b>APIC Clock:</b> This clock can run at 16.66667 MHz and is the APIC bus clock.
APICD[1:0]	I/OD	<b>APIC Data:</b> These bi-directional open drain signals are used to send and receive data over the APIC bus. As inputs the data is valid on the rising edge of APICCLK. As outputs, new data is driven from the rising edge of the APICCLK.

## 2.7 USB Interface

Table 2-7. USB Interface Signals

Name	Type	Description
USBP1P USBP1N	I/O	<b>Universal Serial Bus Port 1 Differential:</b> Bus Data/Address/Command Bus
USBP0P USBP0N	I/O	<b>Universal Serial Bus Port 0 Differential:</b> Bus Data/Address/Command Bus
OC[1:0]#	I	<b>Overcurrent Indicators:</b> These signals set corresponding bits in the USB controller to indicate that an overcurrent condition has occurred.

## 2.8 Power Management Interface

Table 2-8. Power Management Interface Signals

Name	Type	Description
THRM#	I	<b>Thermal Alarm:</b> Active low signal generated by external hardware to start the Hardware clock throttling mode. Can also generate an SMI# or an SCI.
SLP_S3#/ GPIO[24]	O	<b>S3 Sleep Control:</b> Power plane control. The signal is used to shut power off to all non-critical systems when in S3 (Suspend To RAM) state. It can be used as General Purpose Output if STR is not supported.
SLP_S5#	O	<b>S5 Sleep Control:</b> Power plane control. The signal is used to shut power off to all non-critical systems when in the S4 (Suspend To Disk) or S5 (Soft Off) states.
PWROK	I	<b>Power OK:</b> When asserted, PWROK is an indication to the ICH that core power and PCICLK have been stable for at least 1 ms. PWROK can be driven asynchronously. When PWROK is negated, the ICH asserts PCIRST#.
PWRBTN#	I	<b>Power Button:</b> The Power Button will cause SMI# or SCI to indicate a system request to go to a sleep state. If the system is already in a sleep state, this signal will cause a wake event. If PWRBTN# is pressed for more than 4 seconds, this will cause an unconditional transition (power button override) to the S5 state with only the PWRBTN# available as a wake event. Override will occur, even if the system is in the S1-S4 states.
RI#	I	<b>Ring Indicate:</b> From the modem interface. Can be enabled as a wake event and this is preserved across power failures.
RSMRST#	I	<b>Resume Well Reset:</b> Used for resetting the resume power plane logic.
SUS_STAT#/ GPIO[25]	O	<b>Suspend Status:</b> This signal is asserted by the ICH to indicate that the system will be entering a low power state soon. This can be monitored by devices with memory that need to switch from normal refresh to suspend refresh mode. It can also be used by other peripherals as an indication that they should isolate their outputs that may be going to powered-off planes. This signal is called LPCPD# on the LPC Interface.  <b>NOTE:</b> Can be used as General Purpose Output if external logic does not require this signal.
SUSCLK/ GPIO[26] (82801AA only)	O	<b>Suspend Clock (82801AA only):</b> Output of the RTC generator circuit to use by other chips for refresh clock.  <b>NOTES:</b> 1. Can be used as General Purpose Output if external logic does not require this signal. 2. GPIO[26] is a non-multiplexed signal on the ICH0 (82801AB).

## 2.9 Processor Interface

Table 2-9. Processor Interface Signals

Name	Type	Description
A20M#	OD	<p><b>Mask A20:</b> A20M# will go active based on either setting the appropriate bit in the Port 92h register, or based on the A20GATE input being active.</p> <p><b>Speed Strap:</b> During the reset sequence, ICH drives A20M# high if the corresponding bit is set in the FREQ_STRP register.</p>
CPUSLP#	OD	<p><b>Processor Sleep:</b> This signal puts the processor into a state that saves substantial power compared to Stop-Grant state. However, during that time, no snoops occur. The ICH can optionally assert the processor SLP# signal when going to the S1 state.</p>
FERR#	I	<p><b>Numeric Coprocessor Error:</b> This signal is tied to the coprocessor error signal on the processor. IGNNE# is only used if the ICH coprocessor error reporting function is enabled in the General Control Register (Device 31:Function 0, Offset D0, bit 13). If FERR# is asserted, the ICH generates an internal IRQ13 to its interrupt controller unit. It is also used to gate the IGNNE# signal to ensure that IGNNE# is not asserted to the processor unless FERR# is active. FERR# requires an external weak pull-up to ensure a high level when the coprocessor error function is disabled.</p>
IGNNE#	OD	<p><b>Ignore Numeric Error:</b> This signal is connected to the ignore error pin on the processor. IGNNE# is only used if the ICH coprocessor error reporting function is enabled in the General Control Register (Device 31:Function 0, Offset D0, bit 13). If FERR# is active, indicating a coprocessor error, a write to the Coprocessor Error Register (F0h) causes the IGNNE# to be asserted. IGNNE# remains asserted until FERR# is negated. If FERR# is not asserted when the Coprocessor Error Register is written, the IGNNE# signal is not asserted.</p> <p><b>Speed Strap:</b> During the reset sequence, ICH drives IGNNE# high if the corresponding bit is set in the FREQ_STRP register.</p>
INIT#	OD	<p><b>Initialization:</b> INIT# is asserted by the ICH for 16 PCI clocks to reset the processor. The 82810AA can be configured to support Processor BIST. In that case, INIT# will be active when PCIRST# is active.</p>
INTR	OD	<p><b>Processor Interrupt:</b> INTR is released by the ICH to signal the processor that an interrupt request is pending and needs to be serviced. It is an asynchronous output and normally driven low.</p> <p><b>Speed Strap:</b> During the reset sequence, ICH drives INTR high if the corresponding bit is set in the FREQ_STRP register.</p>
NMI	OD	<p><b>Non-Maskable Interrupt:</b> NMI is used to force a non-maskable interrupt to the processor. The ICH can generate an NMI when either SERR# or IOCHK# is asserted. The processor detects an NMI when it detects a rising edge on NMI. NMI is reset by setting the corresponding NMI source enable/disable bit in the NMI Status and Control Register.</p> <p><b>Speed Strap:</b> During the reset sequence, ICH drives NMI high if the corresponding bit is set in the FREQ_STRP register.</p>
SMI#	OD	<p><b>System Management Interrupt:</b> SMI# is an active low output synchronous to PCICLK. It is asserted by the ICH in response to one of many enabled hardware or software events.</p>
STPCLK#	OD	<p><b>Stop Clock Request:</b> STPCLK# is an active low output synchronous to PCICLK. It is asserted by the ICH in response to one of many hardware or software events. When the processor samples STPCLK# asserted, it responds by stopping its internal clock. STPCLK# is floated during PCIRST#.</p>
RCIN#	I	<p><b>Keyboard Controller Reset Processor:</b> The keyboard controller can generate INIT# to the processor. This saves the external OR gate with the ICH's other sources of INIT#. When the ICH detects the assertion of this signal, INIT# is generated for 16 PCI clocks.</p>
A20GATE	I	<p><b>A20 Gate:</b> From the keyboard controller. Acts as an alternative method to force the A20M# signal active. Saves the external OR gate needed with various other PCIssets.</p>

## 2.10 SMBus Interface

This is accessed from the PCI Device 31:Function 3.

**Note:** Although this is called the SMBus logic, it has capability to access slaves that are I<sup>2</sup>C compatible.

**Table 2-10. SM Bus Interface Signals**

Name	Type	Description
<b>SMBDATA</b>	I/OD	<b>SMBus Data:</b> External pull-up is required.
<b>SMBCLK</b>	I/OD	<b>SMBus Clock:</b> External pull-up is required.
<b>SMBALERT#/GPIO[11]</b>	I	<b>SMBus Alert:</b> This signal is used to wake the system or generate SMI#. If not used for SMBALERT#, it can be used as GPIO[11].

## 2.11 System Management Interface

**Table 2-11. System Management Signal**

Name	Type	Description
<b>INTRUDER#</b>	I	<b>Intruder Detect:</b> Disables system if box detected open. If this signal is not connected to a switch, the software can directly read the state of the input and use it as a GPI.
<b>ALERTCLK</b> GPIO[27] (82801AA only)	I/OD	<b>Alert On LAN* Clock (82801AA only):</b> External pull-up is required  <b>NOTES:</b> 1. This signal requires a pull-up resistor, even if it is not used. 2. GPIO[27] is a non-multiplexed signal on the ICH0 (82801AB).
<b>ALERTDATA</b> GPIO[28] (82801AA only)	I/OD	<b>Alert On LAN* Data (82801AA only):</b> External pull-up is required  <b>NOTES:</b> 1. This signal requires a pull-up resistor, even if it is not used. 2. GPIO[28] is a non-multiplexed signal on the ICH0 (82801AB).

## 2.12 Real Time Clock Interface

**Table 2-12. Real Time Clock Interface**

Name	Type	Description
<b>RTCX1</b>	Special	<b>Crystal Input 1:</b> Connected to the 32.768 KHz crystal. If no external crystal is used, then RTCX1 can be driven with the desired clock rate.
<b>RTCX2</b>	Special	<b>Crystal Input 2:</b> Connected to the 32.768 KHz crystal. If no external crystal is used, then RTCX2 should be left floating.
<b>VBIAS</b>	I	<b>RTC Bias Voltage:</b> This pin is used to provide a reference voltage. The DC voltage applied to this pin sets a current which is mirrored throughout the oscillator and buffer circuitry.

## 2.13 Other Clocks

Table 2-13. Other Clocks

Name	Type	Description
CLK14	I	<b>Oscillator Clock:</b> Used for 8254 timers. Runs at 14.31818 MHz. This clock is permitted to stop during S3 (or lower) states.
CLK48	I	<b>48 MHz Clock:</b> Used to run the USB controller. Runs at 48 MHz. This clock is permitted to stop during S3 (or lower) states.
CLK66	I	<b>66 MHz Clock:</b> Used to run the hub interface. Runs at 66 MHz. This clock is permitted to stop during S3 (or lower) states.

## 2.14 Miscellaneous Signals

Table 2-14. Miscellaneous Signals

Name	Type	Description
SPKR	O	<b>Speaker:</b> The SPKR signal is the output of counter 2 and is internally "ANDed" with Port 61h bit 1 to provide Speaker Data Enable. This signal drives an external speaker driver device, which in turn drives the system speaker. Upon PCIRST#, its output state is 1. Note: SPKR is sampled at the rising edge of PWROK as a functional strap. See <a href="#">Section 2.18.1</a> for more details.
RTC_RST#	I	<b>RTC Reset:</b> When asserted, this signal resets register bits in the RTC well and sets the RTC_PWR_STS bit (bit 2 in GEN_PMCON3 register). This signal is also used to enter the test modes documented in <a href="#">Section 2.18.2</a> .

## 2.15 AC'97 Link

These signals are for Device 31:Functions 5 and 6.

Table 2-15. AC'97 Link Signals

Name	Type	Description
AC_RST#	O	<b>AC97 Reset:</b> Master H/W reset to external Codec(s)
AC_SYNC	O	<b>AC97 Sync:</b> 48 KHz fixed rate sample sync to the Codec(s)
AC_BIT_CLK	I	<b>AC97 Bit Clock:</b> 12.288 MHz serial data clock generated by the external Codec(s)
AC_SDOUT	O	<b>AC97 Serial Data Out:</b> Serial TDM data output to the Codec(s) Note: AC_SDOUT is sampled at the rising edge of PWROK as a functional strap. See <a href="#">Section 2.18.1</a> for more details.
AC_SDIN 0	I	<b>AC97 Serial Data In 0:</b> Serial TDM data input from a Codec
AC_SDIN 1/ GPIO[9]	I	<b>AC97 Serial Data In 1:</b> Serial TDM data input from a Codec. Note: If a separate codec is not used, this signal can be used as a GPI.

## 2.16 General Purpose I/O

Table 2-16. General Purpose I/O Signals

Name	Type	Description
<b>GPIO[0:1]</b>	I	Fixed as Input only. Main Power Well. Can instead be used for PC/PCI REQ[A:B]#. For the ICH (82801AA), GPIO[1] can alternatively be used for PCI REQ[5]#.
<b>GPIO[2:4]</b>	I	Not implemented
<b>GPIO[5:6]</b>	I	Fixed as Input only. Main Power Well.
<b>GPIO[7]</b>	I	Fixed as Input only. Main Power Well. For the ICH (82801AA), this signal can instead be used as PERR#.
<b>GPIO[8]</b>	I	Fixed as Input only. Resume Power Well. Can instead be used for LDRQ[1]#.
<b>GPIO[9]</b>	I	Fixed as Input only. Resume Power Well. Can instead be used for AC_SDIN[1].
<b>GPIO[10]</b>	I	Not implemented.
<b>GPIO[11]</b>	I	Fixed as Input only. Resume Power Well. Can instead be used for SMBALERT#.
<b>GPIO[12:13]</b>	I	Fixed as Input only. Resume Power Well.
<b>GPIO[14:15]</b>	I	Not implemented.
<b>GPIO[16:17]</b>	O	Fixed as Output only. Main Power Well. Can instead be used for PC/PCI GNT[A:B]#. For the ICH (82801AA), GPIO[17] can alternatively be used for PCI GNT[5]#
<b>GPIO[18:20]</b>	O	Not implemented
<b>GPIO[21:22]</b>	O	Fixed as Output only. Main Power Well
<b>GPIO[23]</b>	OD	Fixed as Output only. Main Power Well.
<b>GPIO[24]</b>	O	Fixed as Output only. Resume Power Well. Can instead be used for SLP_S3#
<b>GPIO[25]</b>	O	Fixed as Output only. Resume Power Well. Can instead be used for SUS_STAT#.
<b>GPIO[26]</b>	O	Fixed as Output only. Resume Power Well. For the ICH (82801AA), this signal can instead be used for SUS_CLK.
<b>GPIO[27:28]</b>	OD	Can be Input or Output. Resume Power Well. For the ICH (82801AA), this signal can instead be used for ALERTCLK and ALERTDATA.
<b>GPIO[29:31]</b>	I/O	Not implemented

## 2.17 Power and Ground

Table 2-17. Power and Ground Signals

Name	Description
Vcc3_3	<b>Power for Core:</b> 3.3V. This power will be shut off in S3, S5, or G3 states.
Vcc1_8	<b>Power for the Hub Interface:</b> 1.8V. This power will be shut off in S3, S4, or G3 states.
VccSUS	<b>Power for Resume Well:</b> 3.3V. This power is not expected to be shut off unless the system is unplugged.
VccRTC	<b>Power for RTC Well:</b> 3.3V. (Although can drop to 2.0V if the system is in G3 state). This power is not expected to be shut off unless the RTC battery is removed or drained. Note: Implementations should not attempt to clear CMOS by using a jumper to pull VccRTC low. Clearing CMOS in an ICH-based platform can be done by using a jumper on RTCRST# or GPI, or using SAFEMODE strap.
VBIAS	<b>RTC Bias Voltage:</b> See <a href="#">Section 2.12, “Real Time Clock Interface” on page 2-9</a> .
5VREF	<b>Reference for 5V tolerance on inputs:</b> This power will be shut off in S3, S5, or G3 states.
HUBREF	<b>Reference for the Hub Interface:</b> 0.9V. This power will be shut off in S3, S4, or G3 states.
Vss	<b>Grounds.</b>

## 2.18 Pin Straps

### 2.18.1 Functional Strap

Table 2-18 shows signals that are used for static configuration. They are sampled at the rising edge of PWROK to select configurations and then revert later to their normal usage. To invoke the associated mode, the signal should be driven at least 4 PCI clocks prior to the time it is sampled.

Table 2-18. Functional Strap Definitions

Signal	Usage	When Sampled	Comment
SPKR	NO REBOOT	Rising Edge of PWROK	The signal has a weak internal pull-up. If the signal is sampled low, this indicates that the system is strapped to the “No Reboot” mode (ICH will disable the TCO Timer system reboot feature). The status of this strap is readable via the NO_REBOOT bit (bit 1, D31: F0, Offset D4h).
AC_SDOUT	SAFE MODE	Rising Edge of PWROK	The signal has a weak internal pull-down. If the signal is sampled high, the ICH will set the processor speed strap pins for safe mode. Refer to processor specification for speed strapping definition. The status of this strap is readable via the SAFE_MODE bit (bit 2, D31: F0, Offset D4h).



## 2.18.2 Test Straps

When PWROK is active (high), driving RTCRST# low for a number of PCI clocks (33 MHz) will activate a particular test mode as specified in [Table 2-19](#).

**Note:** RTCRST# can be driven anytime after PCIRST# is inactive but it is better to drive it as soon as PWROK goes high to enter a test mode.

Refer to [Chapter 16](#) for a description of each test mode.

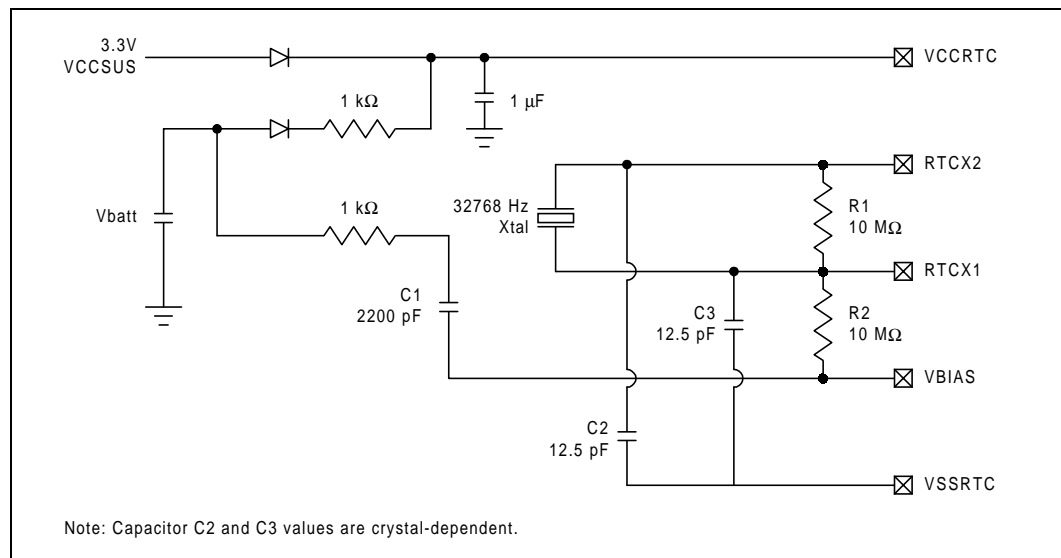
**Table 2-19. Test Strap Definition**

Number of PCI Clocks RTCRST# Driven Low After PWROK Active	Test Mode
<4	No Test Mode Invoked
4	NAND Chain 1
5	NAND Chain 2
6	NAND Chain 3
7	NAND Chain 4
8	All "Z"
9	No Test Mode Invoked
10-24	RESERVED - DO NOT ATTEMPT
>24	No Test Mode Invoked

## 2.18.3 External RTC Circuitry

To reduce RTC well power consumption, the ICH implements a new internal oscillator circuit that is sensitive to step voltage changes in VccRTC and VBIAS. [Figure 2-1](#) shows a schematic diagram of the circuitry required to condition these voltages to ensure correct operation of the ICH RTC

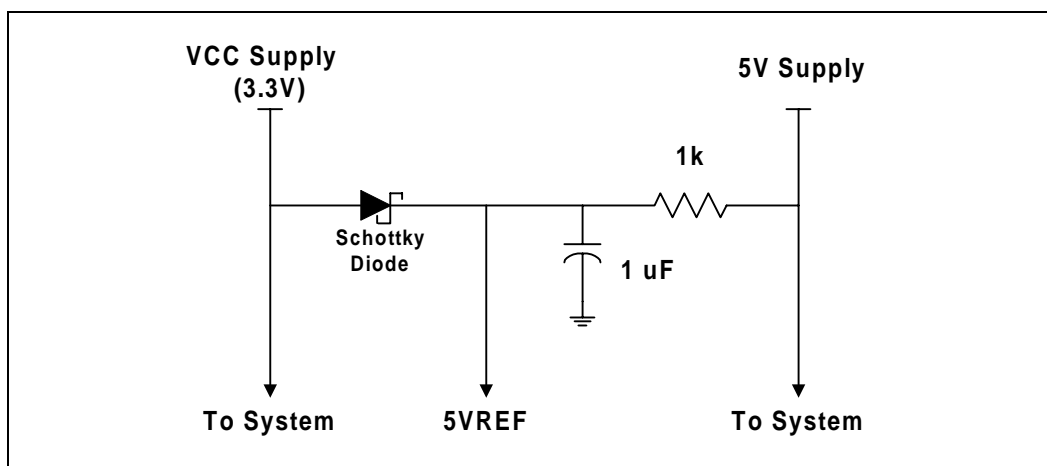
**Figure 2-1. Required External RTC Circuit**



## 2.18.4 5VREF / Vcc3\_3 Sequencing Requirements

The 5VREF pin is the reference voltage for 5V tolerance on inputs to the ICH. The 5VREF pin must power up before or simultaneous to Vcc3\_3, and must power down after or simultaneous to Vcc3\_3. Refer to [Figure 2-2](#) for an example circuit schematic that may be used to ensure proper 5VREF sequencing.

**Figure 2-2. Example 5VREF Sequencing Circuit**



# Power Planes and Pin States

# 3

## 3.1 Power Planes

The ICH has five main power planes, as shown in [Table 3-1](#).

**Table 3-1. ICH Power Planes**

Plane	Description
Core (3.3V)	Powered by the main power supply. When the system is in the S3, S4, S5, or G3 state, this plane is assumed to be shut off.
Hub Interface (1.8V)	Powered by the main power supply. When the system is in the S3, S4, S5, or G3 state, this plane is assumed to be shut off.
Resume (3.3V Stand-By)	Powered by the trickle power supply. In the G3 state, this plane is assumed to be shut off.
RTC	When other power is available (from the main supply), external diode coupling will provide power to reduce the drain on the RTC battery. Operations from 3.3V down to 2.0V.

## 3.2 Output and I/O Signal Planes and States

[Table 3-2](#) shows the power plane associated with the output and I/O signals, as well as the state at various times. Within the table, the following terms are used:

“High-Z”	Tri-state. ICH not driving the signal high or low
“High”	ICH is driving the signal to a logic ‘1’
“Low”	ICH is driving the signal to a logic ‘0’
“Defined”	Driven to a level that is defined by the function (will be high or low)
“Undefined”	ICH is driving the signal, but the value is indeterminate
“Running”	Clock is toggling or signal is transitioning because function not stopping
“Off”	The power plane is off, so ICH is not driving
“?”	Still needs to be defined.

Note that the signal levels are the same in S4 and S5

Table 3-2. Power Plane and States for Output and I/O Signals (Sheet 1 of 2)

Signal Name	Power Plane	During PCIRST#	Immediate after PCIRST#	S1	S3	S4/S5
<b>PCI Bus</b>						
AD[31:0]	Core	High-Z	Low	Low	Off	Off
C/BE#[3:0]	Core	High-Z	High	High	Off	Off
DEVSEL#	Core	High-Z	High-Z	High-Z	Off	Off
FRAME#	Core	High-Z	High-Z	High-Z	Off	Off
GNT[0:3]#	Core	High	High	High	Off	Off
GNT[4:5]# (ICH only: 82801AA)	Core	High	High	High	Off	Off
GNT[A:B]#	Core	High-Z	High	High	Off	Off
IRDY#, TRDY#	Core	High-Z	High-Z	High-Z	Off	Off
PAR	Core	High-Z	Low	Low	Off	Off
PCIRST#	Resume	Low	High	High	Low	Low
PERR# (ICH only: 82801AA)	Periphery	High-Z	High-Z	High-Z	Off	Off
PLOCK#	Core	High-Z	High-Z	High-Z	Off	Off
STOP#	Core	High-Z	High-Z	High-Z	Off	Off
<b>LPC Interface</b>						
LAD[3:0]	Core	High	High	High	Off	Off
LFRAME#	Core	High	High	High	Off	Off
<b>IDE Interface</b>						
PDA[2:0], SDA[2:0]	Core	Low	Undefined	Low	Off	Off
PDCS1#, PDCS3#	Core	High	High	High	Off	Off
PDD[15:0], SDD[15:0]	Core	High-Z	High-Z	Off	Off	Off
PDDACK#, DDACK#	Core	High	High	High	Off	Off
PDIOR#, PDIOW#	Core	High	High	High	Off	Off
SDCS1#, SDCS3#	Core	High	High	High	Off	Off
SDIOR#, SDIOW#	Core	High	High	High	Off	Off
<b>Interrupts</b>						
PIRQ[A:D]#	Core	High-Z	High-Z	High-Z	Off	Off
SERIRQ	Core	High-Z	High-Z	High-Z	Off	Off
APICD[1:0]	Core	High-Z	High-Z	High-Z	Off	Off
<b>USB Interface</b>						
USBP0P, USBP0N USBP1P, USBP1N	Resume	High-Z	High-Z	High-Z	High-Z	High-Z

**Table 3-2. Power Plane and States for Output and I/O Signals (Sheet 2 of 2)**

Signal Name	Power Plane	During PCIRST#	Immediate after PCIRST#	S1	S3	S4/S5
<b>Power Management</b>						
SLP_S3#	Resume	High	High	High	Low	Low
SLP_S5#	Resume	High	High	High	High	Low
SUS_STAT#	Resume	High	High	High	Low	Low
SUSCLK (ICH only: 82801AA)	Resume	Running				
<b>Processor Interface</b>						
A20M#	Core	Note 1	High-Z	High-Z	Off	Off
IGNNE#	Core	Note 1	High-Z	High-Z	Off	Off
INIT#	Core	High-Z	High-Z	High-Z	Off	Off
INTR	Core	Note 1	Low	Low	Off	Off
NMI	Core	Note 1	Low	Low	Off	Off
SMI#	Core	High-Z	High-Z	High-Z	Off	Off
STPCLK#	Core	High-Z	High-Z	Low	Off	Off
<b>SMBus Interface</b>						
SMBCLK, SMBDATA	Resume	High-Z	High-Z	High-Z	High-Z	High-Z
<b>Miscellaneous Signals</b>						
SPKR	Core	Tri-stated with internal pull-up	Low	Low	Off	Off
<b>AC'97 Interface</b>						
AC_RST#	Resume	Low	Low	Cold Reset Bit (High)	Low	Low
AC_SDOOUT	Core	Low	Running	Low	Low	Off
AC_SYNC	Core	Low	Running	Low	Off	Off
<b>Unmuxed GPIO Signals</b>						
GPIO[21]	Core	High	High	Defined	Off	Off
GPIO[22]	Core	Low	Low	Defined	Off	Off
GPIO[23]	Core	Low	Low	Defined	Off	Off
GPIO[26] (unmuxed in ICH0 only: 82801AB)	Resume	Low	Low	Defined	Defined	Defined
GPIO[27:28] (unmuxed in ICH0 only: 82801AB)	Resume	Low	Low	Defined	Defined	Defined

**Note:** 1. ICH sets these signals at reset for processor frequency strap.

### 3.3 Power Planes for Input Signals

Table 3-3 shows the power plane associated with each input signal, as well as what device drives the signal at various times. Valid states include:

High

Low

Static: Will be high or low, but will not change

Driven: Will be high or low, and is allowed to change

Running: For input clocks

**Table 3-3. Power Plane for Input Signals**

Signal Name	Power Well	Driver During Reset	S1	S3	S5
A20GATE	Core	External Microcontroller	Static	Low	Low
AC_BIT_CLK	Core	AC'97 Codec	Low	Low	Low
AC_SDIN[1:0]	Resume	AC'97 Codec	Low	Low	Low
APICCLK	Core	Clock Generator	Running	Low	Low
CLK14	Core	Clock Generator	Running	Low	Low
CLK48	Core	Clock Generator	Running	Low	Low
FERR#	Core	Processor	Static	Low	Low
CLK66	Hub Interface	Clock Generator	Running	Low	Low
INTRUDER#	RTC	External Switch	Driven	Driven	Driven
IRQ[15:14]	Core	IDE	Driven	Low	Low
LDRQ[0]#	Core	LPC Devices	High	Low	Low
LDRQ[1]#	Resume	LPC Devices	High	Low	Low
OC[1:0]#	Resume	External Pull-Ups	Defined	Defined	Defined
PCICLK	Core	Clock Generator	Running	Low	Low
PDDREQ	Core	IDE Device	Static	Low	Low
PIORDY	Core	IDE Device	Static	Low	Low
PME#	Resume	Internal Pull-Up	Driven	Driven	Driven
PWRBTN#	Resume	Internal Pull-Up	Driven	Driven	Driven
PWROK	Core	System Power Supply	Driven	Low	Low
RCIN#	Core	External Microcontroller	High	Low	Low
REQ[0:3]#	Core	PCI Master	Driven	Low	Low
REQ[4:5]# (ICH only: 82801AA)	Core	PCI Master	Driven	Low	Low
REQ[B:A]#	Core	PC/PCI Devices	Driven	Low	Low
RI#	Resume	Serial Port Buffer	Driven	Defined	Defined
RSMRST#	RTC	External RC circuit	High	High	High
RTCRST#	RTC	External RC circuit	High	High	High
SDDREQ	Core	IDE Drive	Static	Low	Low
SERR#	Core	PCI Bus Peripherals	High	Low	Low
SIORDY	Core	IDE Drive	Static	Low	Low
THRM#	Core	Thermal Sensor	Driven	Low	Low

## 3.4 Integrated Pull-Ups and Pull-Downs

Table 3-4 shows the ICH signals that have integrated pull-up or pull-down resistors.

**Table 3-4. Integrated Pull-Ups and Pull-Downs**

Signal	Resistor Value	Resistor Type
PME#	9K $\pm$ 3K	pull-up
PWRBTN#	9K $\pm$ 3K	pull-up
LAD[3:0]# / FWH[3:0]#	9K $\pm$ 3K	pull-up
SPKR <sup>1</sup>	22K $\pm$ 4K	pull-up
AC_SDOUT <sup>1</sup>	22K $\pm$ 4K	pull-down
AC_SDIN[1] / GPIO[9] <sup>2</sup>	22K $\pm$ 4K	pull-down
AC_SDIN[0] <sup>2</sup>	22K $\pm$ 4K	pull-down
AC_BITCLK <sup>2</sup>	22K $\pm$ 4K	pull-down

**NOTES:**

1. The pull-up or pull-down on this signal is only enabled at boot/reset for strapping function.
2. The pull-down resistor on this signal is only enabled when the ACLINK Shut Off bit in the AC'97 Global Control Register (in AC'97 I/O space) is set to 1. At all other times, the pull-down resistor is disabled.

## 3.5 IDE Integrated Series Termination Resistors

Table 3-5 shows the ICH IDE signals that have integrated series termination resistors.

**Table 3-5. IDE Series Termination Resistors**

Signal	Integrated Series Termination Resistor Value	Notes
PDD[15:0], SDD[15:0]	approximately 33 ohms	1
PDIOW#, SDIOW#, PDIOR#, PDIOW#, PDREQ, SDREQ, PDDACK#, SDDACK#, PIORDY, SIORDY, PDA[2:0], SDA[2:0], PDCS1#, SDCS1#, PDCS3#, SDCS3#, IRQ14, IRQ15	approximately 22 ohms	2

**NOTES:**

1. Simulation data indicates that these integrated series termination resistors are a nominal 33 ohms; they can range from 28 ohms to 46 ohms.
2. Simulation data indicates that these integrated series termination resistors are a nominal 22 ohms; they can range from 19 ohms to 29 ohms.





# Clock Domains

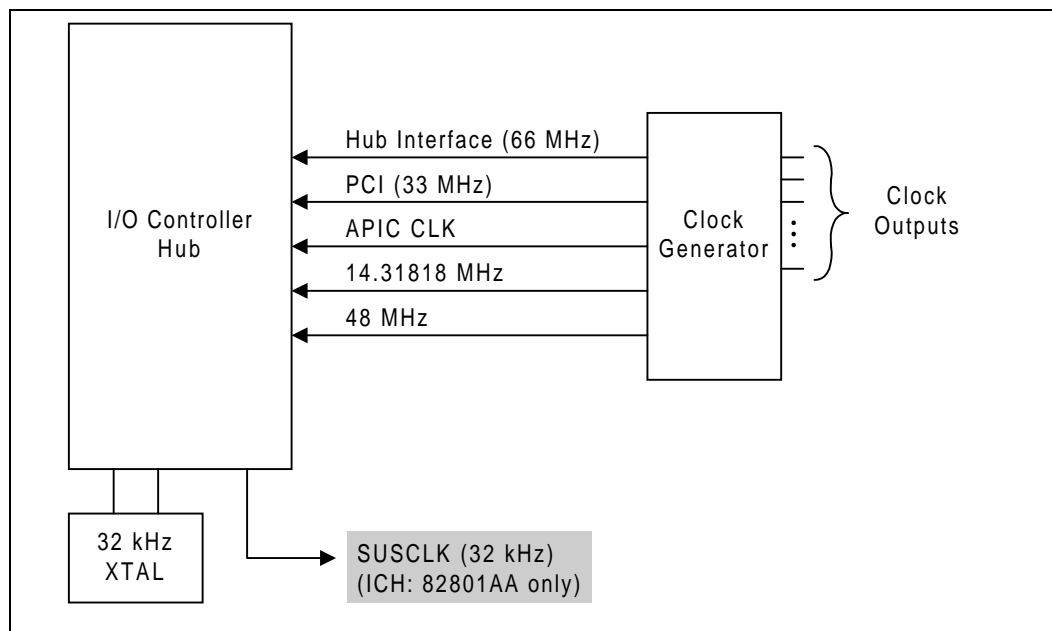
# 4

Table 4-1 shows the system clock domains. Figure 4-1 shows the assumed connection of the various system components, including the clock generator. For complete details of the system clocking solution, refer to the system's clock generator component specification.

**Table 4-1. ICH and System Clock Domains**

Clock Domain	Frequency	Source	Usage
ICH CLK66	66 MHz	Main Clock Generator	Hub Interface. Shut off during S3 or below.
ICH PCICLK	33 MHz	Main Clock Generator	PCI Clock. This clock remains on during S0 state, but can be shut off during S3 or below.
System PCI	33 MHz	Main Clock Generator	PCI Bus, LPC interface. These only go to external PCI and LPC devices.
ICH USB	48 MHz	Main Clock Generator	USB Controller.
ICH CLK14	14.31818 MHz	Main Clock Generator	Used for ACPI timer
ICH AC'97	12.288 MHz	AC'97 Codec	AC'97 Link. Generated by AC'97 CODEC
RTC	32.768 kHz	ICH	RTC, Power Management. ICH has its own oscillator.
ICH APIC	16.667 MHz	Main Clock Generator	Used for ICH-CPU interrupt messages.

**Figure 4-1. Conceptual System Clock Diagram**





# Functional Description

# 5

## 5.1 Hub Interface to PCI Bridge (D30:F0)

The hub interface to PCI Bridge resides in PCI Device 30, Function 0 on bus #0. This portion of the ICH implements the buffering and control logic between PCI and the Hub Interface. The arbitration for the PCI bus is handled by this PCI device. The PCI decoder in this device must decode the ranges for the Hub Interface. All register contents are lost when core well power is removed.

### 5.1.1 PCI Bus Interface

The ICH PCI interface provides a 33 MHz, Rev. 2.2 compliant implementation. All PCI signals are 5V tolerant, except PME#. The ICH integrates a PCI arbiter that supports up to four (ICH0: 82801AB) or six (ICH: 82801AA) external PCI bus masters in addition to the internal ICH requests.

- Note:** Most transactions targeted to the ICH first appear on the external PCI bus before being claimed back by the ICH. The exceptions are I/O cycles involving USB, IDE, and AC'97. These transactions complete over the Hub Interface without appearing on the external PCI bus. *Configuration cycles* targeting USB, IDE or AC'97 appears on the PCI bus.
- Note:** If the ICH is programmed for positive decode, the ICH grabs the cycles appearing on the external PCI bus in medium decode time. If the ICH is programmed for subtractive decode, the ICH grabs these cycles in subtractive time. If the ICH is programmed for subtractive decode, these cycles can be grabbed by another positive decode agent out on PCI.
- Note:** This architecture enables the ability to boot off of a PCI card that positively decodes the boot cycles. To boot off a PCI card it is necessary to keep the ICH in subtractive decode mode. When booting off a PCI card, the BOOT\_STS bit (bit 2, TCO2 Status Register) is set.
- Note:** PCI configuration write cycles, initiated by the processor, with the following characteristics are converted to a special cycle with the Shutdown message type.
- Device Number (AD[15:11]) = 11111
  - Function Number (AD[10:8]) = 111
  - Register Number (AD[7:2]) = 000000
  - Data = 00h
  - Bus number matches secondary bus number

### 5.1.2 PCI-to-PCI Bridge Model

From a software perspective, the ICH contains a PCI-to-PCI bridge. This bridge connects the hub interface to the PCI bus. By using the PCI-to-PCI bridge software model, the ICH can have its decode ranges programmed by existing plug-and-play software such that PCI ranges do not conflict with graphics ranges in the host controller.

### 5.1.3 IDSEL to Device Number Mapping

When addressing devices on the external PCI bus (with the PCI slots) the ICH asserts one address signal as an IDSEL. When accessing device 0, the ICH asserts AD16. When accessing Device 1, the ICH asserts AD17. This mapping continues all the way up to device 15 where the ICH asserts AD31. Note that the ICH's internal functions (AC'97, IDE, USB, and PCI Bridge) are enumerated like they are on a separate PCI bus (the Hub Interface) from the external PCI bus.

### 5.1.4 SERR#/PERR#/NMI# Functionality

Figure 5-1, Figure 5-2, and Figure 5-3 show the logic used to generate/report SERR#, PERR#, and NMI#. Note that PERR# is only on the ICH (82801AA).

There are several internal and external sources that can cause SERR#. The ICH can be programmed to cause an NMI based on detecting that an SERR# condition has occurred. The NMI can also be routed to instead cause an SMI#. Note that the ICH does not drive the external PCI bus SERR# signal active onto the PCI bus. The external SERR# signal is an input into the ICH driven only by external PCI devices.

The ICH (82801AA) can detect and report different parity errors in the system. The ICH can be programmed to cause an NMI (or SMI# if NMI is routed to SMI#) based on detecting a parity error.

Figure 5-1. NMI# Generation Logic

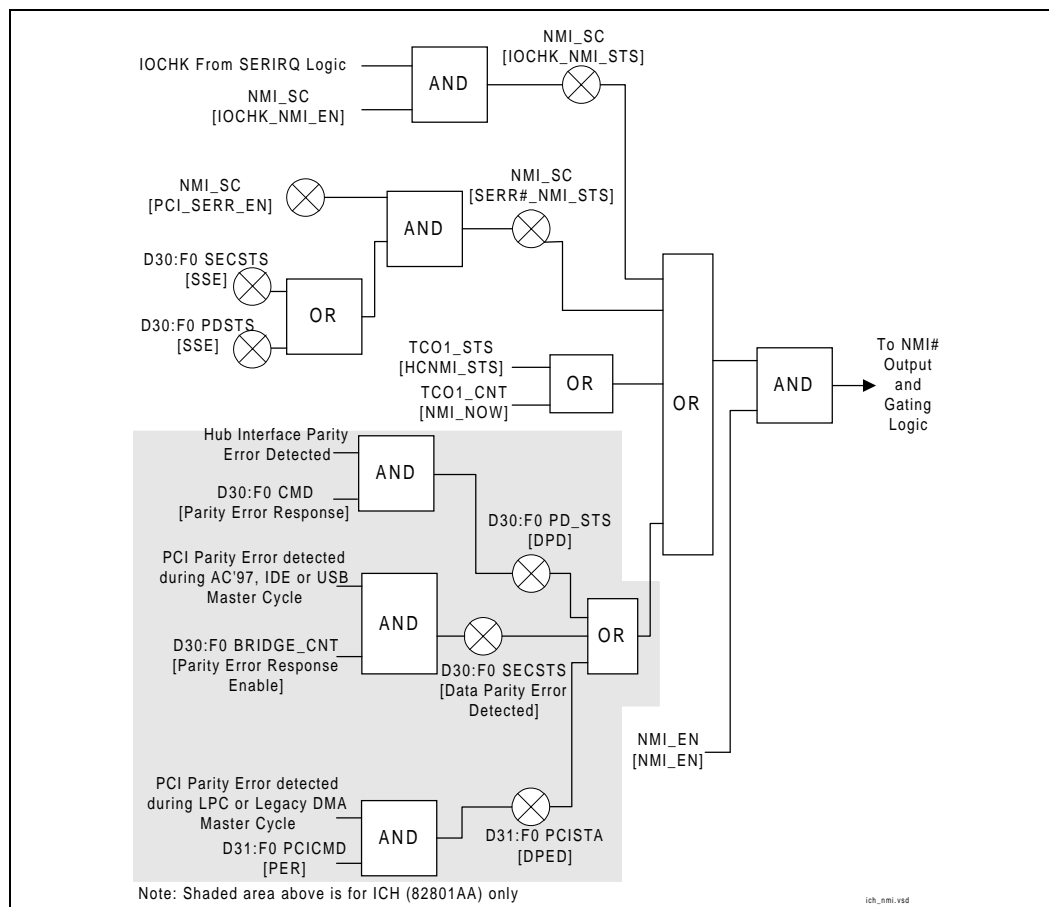


Figure 5-2. Primary Device Status Register Error Reporting Logic

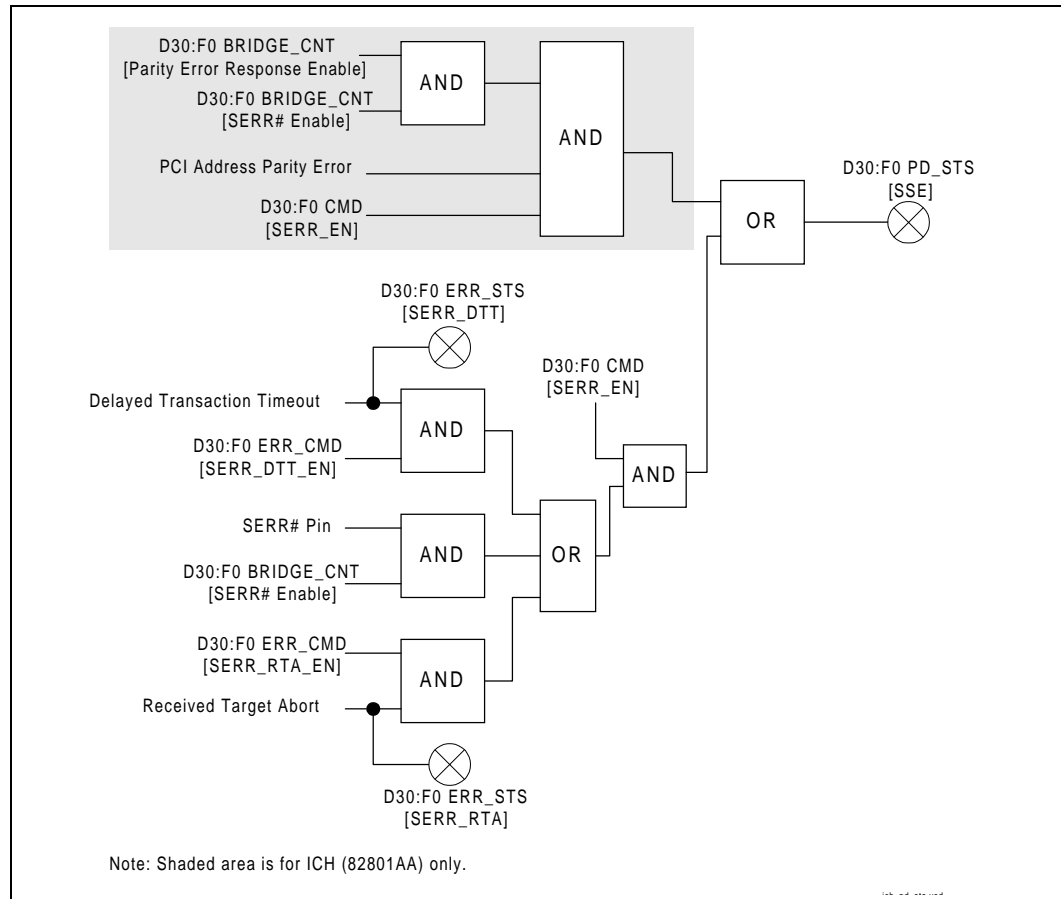
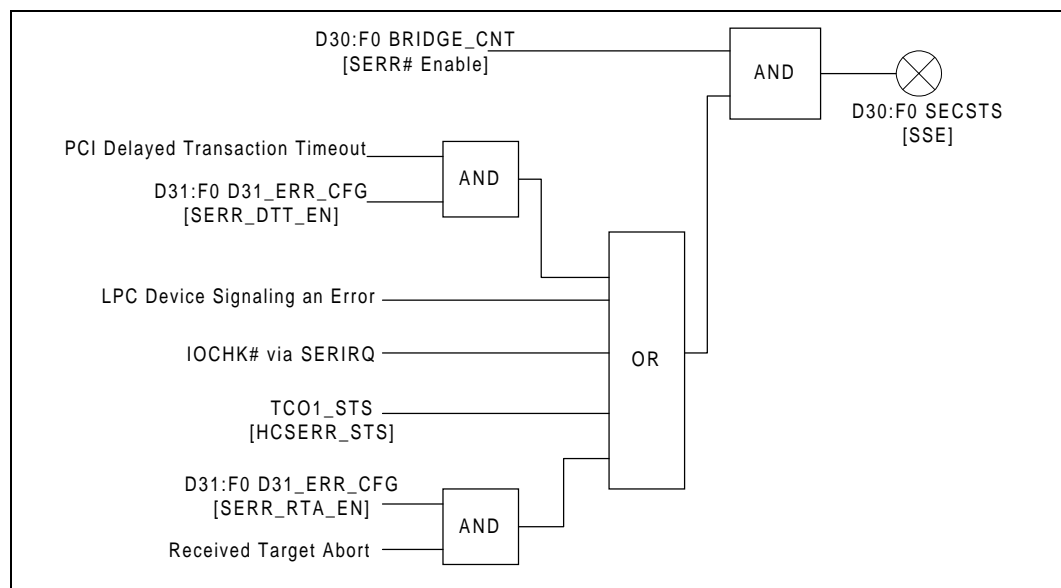


Figure 5-3. Secondary Status Register Error Reporting Logic



## 5.2 LPC Bridge (with System & Management Functions) (D31:F0)

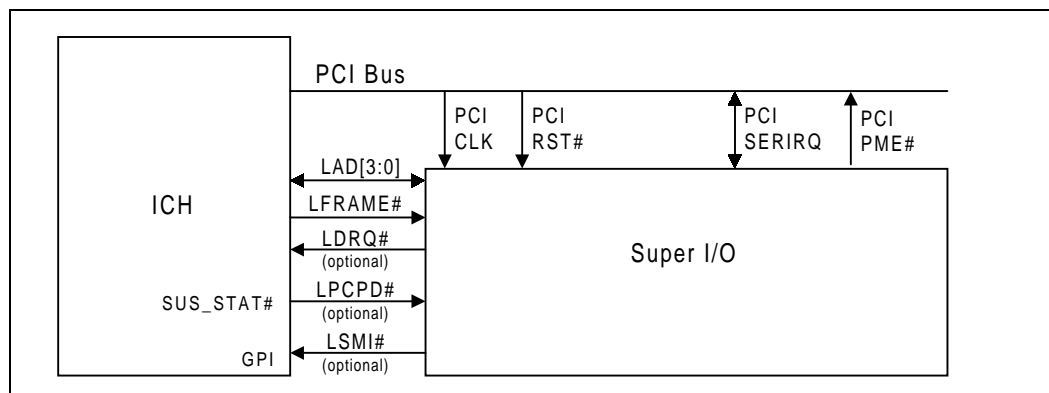
The Low Pin Count (LPC) Bridge function of the ICH resides in PCI Device 31:Function 0. In addition to the LPC bridge function, D31:F0 contains other functional units including DMA, Interrupt Controllers, Timers, Power Management, System Management, GPIO, and RTC. In this chapter, registers and functions associated with other functional units (power management, GPIO, USB, IDE, etc.) are described in their respective sections.

**Note:** There is a case where the ICH can not accept PCI write cycles from PCI-to-PCI bridges or devices with similar characteristics to a LPC device. The write cycles can not be accepted by the ICH if the PCI-to-PCI bridge has an enabled “Retry Read” feature and if there is an outstanding LPC read cycle towards the same PCI device or bridge. These cycles are not part of normal system operation, but may be encountered as part of platform validation testing using custom test fixtures.

### 5.2.1 LPC Interface

The ICH implements an LPC Interface as described in the LPC 1.0 specification. The LPC Interface to the ICH is shown in Figure 5-4. Note that the ICH implements all of the signals that are shown as optional, but peripherals are not required to do so.

Figure 5-4. LPC Interface Diagram



### 5.2.1.1 LPC Cycle Types

The ICH implements all of the cycle types described in the LPC Interface 1.0 specification. Table 5-1 shows the cycle types supported by the ICH.

**Table 5-1. LPC Cycle Types Supported**

Cycle Type	Comment
Memory Read	Single: 1 byte only
Memory Write	Single: 1 byte only
I/O Read	1 byte only. ICH breaks up 16 and 32-bit processor cycles into multiple 8-bit transfers.
I/O Write	1 byte only. ICH breaks up 16 and 32-bit processor cycles into multiple 8-bit transfers.
DMA Read	Can be 1, or 2 bytes
DMA Write	Can be 1, or 2 bytes
Bus Master Read	Can be 1, 2, or 4 bytes. (See Note below)
Bus Master Write	Can be 1, 2, or 4 bytes. (See Note below)

**NOTE:** Bus Master Read or Write cycles must be naturally aligned. For example, a 1-byte transfer can be to any address. However, the 2-byte transfer must be word aligned (i.e., with an address where A0=0). A DWord transfer must be DWord-aligned (i.e., with an address where A1 and A0 are both 0)

### 5.2.1.2 Start Field Definition

**Table 5-2. Start Field Bit Definitions**

Bits[3:0] Encoding	Definition
0000	Start of cycle for a generic target.
0010	Grant for bus master 0.
0011	Grant for bus master 1.
1111	Stop/Abort: End of a cycle for a target.

**NOTE:** All other encodings are RESERVED.

### 5.2.1.3 Cycle Type / Direction (CYCTYPE + DIR)

The ICH always drives bit 0 of this field to 0. Peripherals running bus master cycles must also drive bit 0 to 0. Table 5-3 shows the valid bit encodings:

**Table 5-3. Cycle Type Bit Definitions**

Bits[3:2]	Bit[1]	Definition
00	0	I/O Read
00	1	I/O Write
01	0	Memory Read
01	1	Memory Write
10	0	DMA Read
10	1	DMA Write
11	x	Reserved. If a peripheral performing a bus master cycle generates this value, the ICH aborts the cycle.

### 5.2.1.4 SIZE

Bits[3:2] are reserved. The ICH always drives them to 00. Peripherals running bus master cycles are also supposed to drive 00 for bits 3:2; however, the ICH ignores those bits. Bits[1:0] are encoded as shown in Table 5-4.

**Table 5-4. Transfer Size Bit Definition**

Bits[1:0]	Size
00	8 bit transfer (1 byte)
01	16-bit transfer (2 bytes)
10	Reserved. The ICH never drives this combination. If a peripheral running a bus master cycle drives this combination, the ICH may abort the transfer.
11	32 bit transfer (4 bytes)

### 5.2.1.5 SYNC

Valid values for the SYNC field are shown in Table 5-5.

**Table 5-5. SYNC Bit Definition**

Bits[3:0]	Indication
0000	<b>Ready:</b> SYNC achieved with no error. For DMA transfers, this also indicates DMA request deassertion and no more transfers desired for that channel.
0101	<b>Short Wait:</b> Part indicating wait states. For bus master cycles, the ICH does not use this encoding. It, instead, uses the Long Wait encoding (see next encoding below).
0110	<b>Long Wait:</b> Part indicating wait states, and many wait states will be added. This encoding driven by the ICH for bus master cycles, rather than the Short Wait (0101).
1001	<b>Ready More (Used only by peripheral for DMA cycle):</b> SYNC achieved with no error and more DMA transfers desired to continue after this transfer. This value is valid only on DMA transfers and is not allowed for any other type of cycle.
1010	<b>Error:</b> Sync achieved with error. This is generally used to replace the SERR# or IOCHK# signal on the PCI/ISA bus. It indicates that the data is to be transferred, but there is a serious error in this transfer. For DMA transfers, this not only indicates an error, but also indicates DMA request deassertion and no more transfers desired for that channel.

**NOTE:** All other combinations are RESERVED.



### 5.2.1.6 SYNC Time-out

There are several error cases that can occur on the LPC Interface. [Table 5-6](#) indicates the failing case and the ICH response.

**Table 5-6. ICH Response to Sync Failures**

Possible Sync Failure	ICH Response
ICH starts a Memory, I/O, or DMA cycle, but no device drives a valid SYNC after 4 consecutive clocks. This could occur if the processor tries to access an I/O location to which no device is mapped.	ICH aborts the cycle after the 4 <sup>th</sup> clock.
ICH drives a Memory, I/O, or DMA cycle, and a peripheral drives more than 8 consecutive valid SYNC to insert wait states using the Short ('0101b') encoding for SYNC. This could occur if the peripheral is not operating properly.	Continues waiting
ICH starts a Memory, I/O, or DMA cycle, and a peripheral drives an invalid SYNC pattern. This could occur if the peripheral is not operating properly or if there is excessive noise on the LPC Interface.	ICH aborts the cycle when the invalid Sync is recognized.

**NOTE:** There may be other peripheral failure conditions; however, these are not handled by the ICH.

### 5.2.1.7 SYNC Error Indication

The SYNC protocol allows the peripheral to report an error via the LAD[3:0] = '1010b' encoding. The intent of this encoding is to give peripherals a method of communicating errors to aid higher layers with more robust error recovery.

If the ICH was reading data from a peripheral, data is still transferred in the next two nibbles. This data may be invalid, but it must be transferred by the peripheral. If the ICH was writing data to the peripheral, the data had already been transferred.

In the case of multiple byte cycles, such as for memory and DMA cycles, an error SYNC terminates the cycle. Therefore, if the ICH is transferring 4 bytes from a device, if the device returns the error SYNC in the first byte, the other three bytes are not transferred.

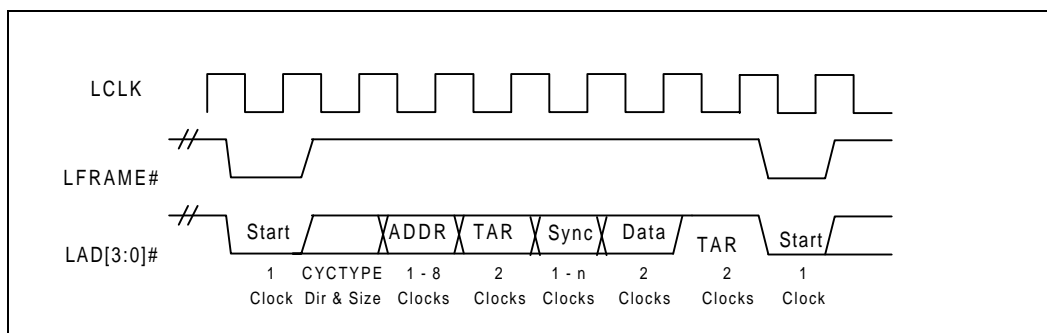
Upon recognizing the SYNC field indicating an error, the ICH treats this the same as IOCHK# going active on the ISA bus.

### 5.2.1.8 LFRAME# Usage

#### Start of Cycle

For Memory, I/O, and DMA cycles, the ICH asserts LFRAME# for 1 clock at the beginning of the cycle ([Figure 5-5](#)) During that clock, the ICH drives LAD[3:0] with the proper START field.

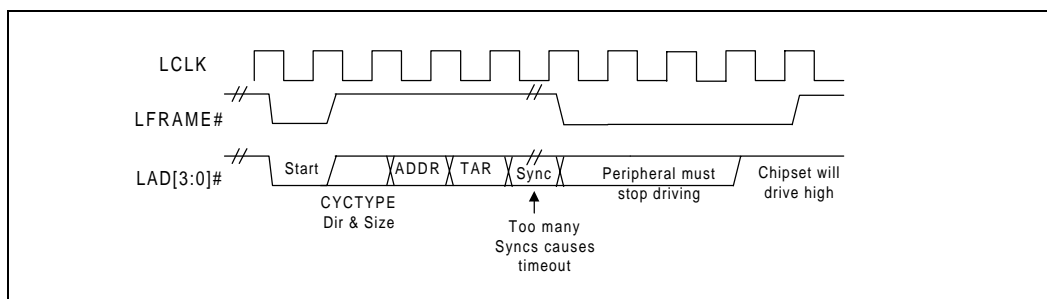
**Figure 5-5. Typical Timing for LFRAME#**



**Abort Mechanism**

When performing an Abort, the ICH drives LFRAME# active for 4 consecutive clocks. On the 4<sup>th</sup> clock, it drives LAD[3:0] to '1111b'.

**Figure 5-6. Abort Mechanism**



The ICH performs an abort for the following cases (possible failure cases):

- ICH starts a Memory, I/O, or DMA cycle, but no device drives a valid SYNC after 4 consecutive clocks.
- ICH starts a Memory, I/O, or DMA cycle, and the peripheral drives an invalid SYNC pattern.
- A peripheral drives an illegal address when performing bus master cycles.
- A peripheral drives an invalid value.

### 5.2.1.9 I/O Cycles

For I/O cycles targeting registers specified in the ICH's decode ranges, the ICH performs I/O cycles as defined in the LPC specification. These are 8-bit transfers. If the processor attempts a 16-bit or 32-bit transfer, the ICH breaks it up into multiple 8-bit transfers.

**Note:** If the cycle is not claimed by any peripheral (and subsequently aborted), the ICH returns a value of all 1's (FFh) to the processor. This is to maintain compatibility with ISA I/O cycles where pull-up resistors would keep the bus high if no device responds.

### 5.2.1.10 Bus Master Cycles

The ICH supports Bus Master cycles and requests (using LDRQ#) as defined in the LPC specification. The ICH has two LDRQ# inputs, and thus supports two separate bus master devices. It uses the associated START fields for Bus Master 0 ('0010b') or Bus Master 1 ('0011b').

### 5.2.1.11 Configuration and ICH Implications

#### LPC Interface Decoders

To allow the I/O cycles and memory mapped cycles to go to the LPC Interface, the ICH includes several decoders. During configuration, the ICH must be programmed with the same decode ranges as the peripheral. The decoders are programmed via the Device 31:Function 0 configuration space.

#### Bus Master Device Mapping and START Fields

Bus Masters must have a unique START field. In the case of the ICH, which supports 2 bus masters, it drives 0010 for the START field for grants to bus master #0 (requested via LDRQ[0]#) and 0011 for grants to bus master #1 (requested via LDRQ[1]#). Thus no registers are needed to config the START fields for a particular bus master.

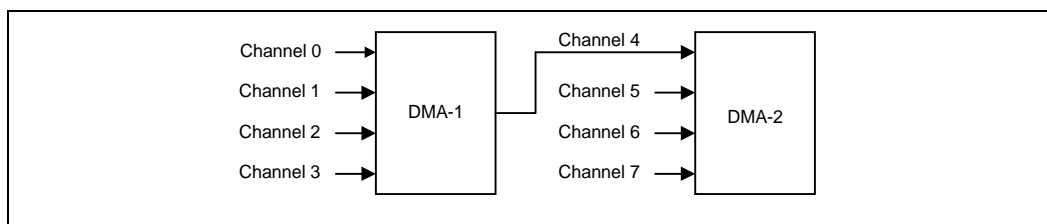
## 5.3 DMA Operation (D31:F0)

The ICH supports two types of DMA: LPC, and PC/PCI. DMA via LPC is similar to ISA DMA. LPC DMA and PC/PCI DMA use the ICH's DMA controller.

The DMA controller has registers that are fixed in the lower 64 KB of I/O space. For PCI configuration, the controller is configured using registers in the PCI configuration space. These registers allow configuration of individual channels for use by LPC or PC/PCI DMA.

The DMA circuitry incorporates the functionality of two 82C37 DMA controllers with seven independently programmable channels (Figure 5-7). DMA Controller 1 (DMA-1) corresponds to DMA Channels 0–3 and DMA Controller 2 (DMA-2) corresponds to Channels 5–7. DMA Channel 4 is used to cascade the two controllers and defaults to cascade mode in the DMA Channel Mode (DCM) Register. Channel 4 is not available for any other purpose. In addition to accepting requests from DMA slaves, the DMA controller also responds to requests that software initiates. Software may initiate a DMA service request by setting any bit in the DMA Channel Request Register to a 1.

**Figure 5-7. ICH DMA Controller**



Each DMA channel is hardwired to the compatible settings for DMA device size: channels [3:0] are hardwired to 8-bit, count-by-bytes transfers, and channels [7:5] are hardwired to 16-bit, count-by-words (address shifted) transfers.

The ICH provides 24-bit addressing in compliance with the ISA-Compatible specification. Each channel includes a 16-bit ISA-Compatible Current Register which holds the 16 least-significant bits of the 24-bit address, an ISA-Compatible Page Register which contains the eight next most significant bits of address.

The DMA controller also features refresh address generation, and autoinitialization following a DMA termination.

### 5.3.1 Channel Priority

For priority resolution, the DMA consists of two logical channel groups: channels 0–3 and channels 4–7. Each group may be in either fixed or rotate mode, as determined by the DMA Command Register.

DMA I/O slaves normally assert their DREQ line to arbitrate for DMA service. However, a software request for DMA service can be presented through each channel's DMA Request Register. A software request is subject to the same prioritization as any hardware request. Please see the detailed register description for Request Register programming information in the DMA Register description section.

#### Fixed Priority

The initial fixed priority structure is as follows:

High priority.....Low priority	
(0, 1, 2, 3)	(5, 6, 7)

The fixed priority ordering is 0, 1, 2, 3, 5, 6, and 7. In this scheme, Channel 0 has the highest priority, and channel 7 has the lowest priority. Channels [3:0] of DMA-1 assume the priority position of Channel 4 in DMA-2, thus taking priority over channels 5, 6, and 7.

#### Rotating Priority

Rotation allows for "fairness" in priority resolution. The priority chain rotates so that the last channel serviced is assigned the lowest priority in the channel group (0–3, 5–7). Channels 0–3 rotate as a group of 4. They are always placed between Channel 5 and Channel 7 in the priority list. Channel 5–7 rotate as part of a group of 4. That is, channels (5–7) form the first three positions in the rotation, while channel group (0–3) comprises the fourth position in the arbitration.

### 5.3.2 Address Compatibility Mode

Whenever the DMA is operating, the addresses do not increment or decrement through the High and Low Page Registers. Therefore, if a 24 bit address is 01FFFFh and increments, the next address is 010000h, not 020000h. Similarly, if a 24 bit address is 020000h and decrements, the next address is 02FFFFh, not 01FFFFh. This is compatible with the 82C37 and Page Register implementation used in the PC-AT. This mode is set after CPURST is valid.

### 5.3.3 Summary of DMA Transfer Sizes

Table 5-7 lists each of the DMA device transfer sizes. The column labeled "Current Byte/Word Count Register" indicates that the register contents represents either the number of bytes to transfer or the number of 16-bit words to transfer. The column labeled "Current Address Increment/Decrement" indicates the number added to or taken from the Current Address register after each DMA transfer cycle. The DMA Channel Mode Register determines if the Current Address Register is incremented or decremented.

#### Address Shifting When Programmed for 16-Bit I/O Count by Words

**Table 5-7. DMA Transfer Size**

DMA Device Data Size And Word Count	Current Byte/Word Count Register	Current Address Increment/Decrement
8-Bit I/O, Count By Bytes	Bytes	1
16-Bit I/O, Count By Words (Address Shifted)	Words	1

The ICH maintains compatibility with the implementation of the DMA in the PC AT which used the 82C37. The DMA shifts the addresses for transfers to/from a 16-bit device count-by-words. Note that the least significant bit of the Low Page Register is dropped in 16-bit shifted mode. When programming the Current Address Register (when the DMA channel is in this mode), the Current Address must be programmed to an even address with the address value shifted right by one bit. The address shifting is shown in Table 5-8.

**Table 5-8. Address Shifting in 16-bit I/O DMA Transfers**

Output Address	8-Bit I/O Programmed Address (Ch 0-3)	16-Bit I/O Programmed Address (Ch 5-7) (Shifted)
A0 A[16:1] A[23:17]	A0 A[16:1] A[23:17]	0 A[15:0] A[23:17]

**NOTE:** The least significant bit of the Page Register is dropped in 16-bit shifted mode.

### 5.3.4 Autoinitialize

By programming a bit in the DMA Channel Mode Register, a channel may be set up as an autoinitialize channel. When a channel undergoes autoinitialization, the original values of the Current Page, Current Address and Current Byte/Word Count Registers are automatically restored from the Base Page, Address, and Byte/Word Count Registers of that channel following TC. The Base Registers are loaded simultaneously with the Current Registers by the microprocessor when the DMA channel is programmed and remain unchanged throughout the DMA service. The mask bit is not set when the channel is in autoinitialize. Following autoinitialize, the channel is ready to perform another DMA service, without processor intervention, as soon as a valid DREQ is detected.

### 5.3.5 Software Commands

There are three additional special software commands that the DMA controller can execute. The three software commands are:

1. Clear Byte Pointer Flip-Flop
2. Master Clear
3. Clear Mask Register

They do not depend on any specific bit pattern on the data bus.

#### Clear Byte Pointer Flip-Flop

This command is executed prior to writing or reading new address or word count information to/from the DMA controller. This initializes the flip-flop to a known state so that subsequent accesses to register contents by the microprocessor addresses upper and lower bytes in the correct sequence.

When the Host processor is reading or writing DMA registers, two Byte Pointer flip-flops are used; one for channels 0–3 and one for channels 4–7. Both of these act independently. There are separate software commands for clearing each of them (0Ch for channels 0–3, 0D8h for channels 4–7).

#### DMA Master Clear

This software instruction has the same effect as the hardware reset. The Command, Status, Request, and Internal First/Last Flip-Flop Registers are cleared and the Mask Register is set. The DMA controller enters the idle cycle.

There are two independent master clear commands:

- 0Dh which acts on channels 0–3
- 0DAh which acts on channels 4–7.

#### Clear Mask Register

This command clears the mask bits of all four channels, enabling them to accept DMA requests. I/O port 00Eh is used for channels 0–3 and I/O port 0DCh is used for channels 4–7.

## 5.4 PCI DMA

The ICH provides support for the PC/PCI DMA protocol. PC/PCI DMA uses dedicated REQUEST and GRANT signals to permit PCI devices to request transfers associated with specific DMA channels. Upon receiving a request and getting control of the PCI bus, ICH performs a two-cycle transfer. For example, if data is to be moved from the peripheral to main memory, ICH first reads data from the peripheral and then write it to main memory. The location in main memory is the Current Address Registers in the 8237. ICH supports up to 2 PC/PCI REQ/GNT pairs, REQ[A:B]# and GNT[A:B]#.

A 16-bit register is included in the ICH Function 0 configuration space at offset 90h. It is divided into seven 2-bit fields that are used to configure the 7 DMA channels. Each DMA channel can be configured to one of two options:

- LPC DMA
- PC/PCI style DMA using the REQ/GNT signals

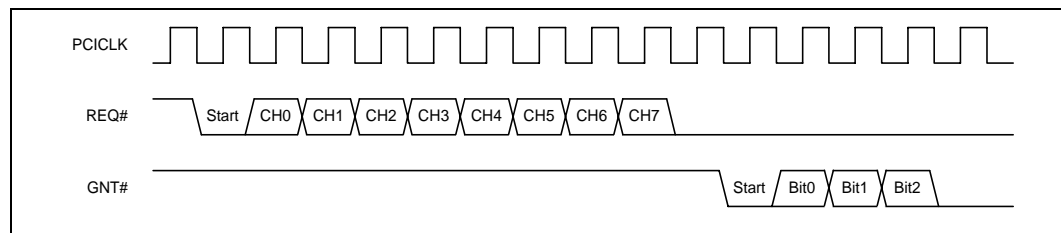
It is not possible for a particular DMA channel to be configured for more than one style of DMA; however, the seven channels can be programmed independently. For example, channel 3 could be set up for PC/PCI and channel 5 set up for LPC DMA.

The ICH REQ[A:B]# and GNT[A:B]# can be configured for support of a PC/PCI DMA Expansion agent. The PCI DMA Expansion agent can then provide DMA service or ISA Bus Master service using the ICH DMA controller. The REQ#/GNT# pair must follow the PC/PCI serial protocol described below.

### 5.4.1 PCI DMA Expansion Protocol

The PCI expansion agent must support the PCI expansion Channel Passing Protocol defined in Figure 5-8 for both the REQ# and GNT# pins.

Figure 5-8. DMA Serial Channel Passing Protocol



The requesting device must encode the channel request information as shown above, where CH0–CH7 are one clock active high states representing DMA channel requests 0–7.

The ICH encodes the granted channel on the GNT# line as shown above, where the bits have the same meaning as shown in Figure 5-8. For example, the sequence [start, bit 0, bit 1, bit 2]=[0,1,0,0] grants DMA channel 1 to the requesting device, and the sequence [start, bit 0, bit 1, bit 2]=[0,0,1,1] grants DMA channel 6 to the requesting device.

All PCI DMA expansion agents must use the channel passing protocol described above. They must also work as follows:

1. If a PCI DMA expansion agent has more than one request active, it must resend the request serial protocol after one of the requests has been granted the bus and it has completed its transfer. The expansion device should drive its REQ# inactive for two clocks and then transmit the serial channel passing protocol again, even if there are no new requests from the PCI expansion agent to ICH. For example: If a PCI expansion agent had active requests for DMA Channel 1 and Channel 5, it would pass this information to the ICH through the expansion channel passing protocol. If after receiving GNT# (assume for CH5) and having the device finish its transfer (device stops driving request to PCI expansion agent) it would then need to re-transmit the expansion channel passing protocol to inform ICH that DMA channel 1 was still requesting the bus, even if that was the only request the expansion device had pending.
2. If a PCI DMA expansion agent has a request go inactive before ICH asserts GNT#, it must resend the expansion channel passing protocol to update ICH with this new request information. For example: If a PCI expansion agent has DMA channel 1 and 2 requests pending, it sends them serially to ICH using the expansion channel passing protocol. If, however, DMA channel 1 goes inactive into the expansion agent before the expansion agent receives a GNT# from ICH, the expansion agent MUST pull its REQ# line high for ONE clock and resend the expansion channel passing information with only DMA channel 2 active. Note that ICH does not do anything special to catch this case because a DREQ going inactive before a DACK# is received is not allowed in the ISA DMA protocol and, therefore, does not need to work properly in this protocol either. This requirement is needed to be able to support Plug-n-Play ISA devices that toggle DREQ# lines to determine if those lines are free in the system.
3. If a PCI expansion agent has sent its serial request information and receives a new DMA request before receiving GNT# the agent must resend the serial request with the new request active. For example, if a PCI expansion agent has already passed requests for DMA channel 1 and 2 and sees DREQ 3 active before a GNT is received, the device must pull its REQ# line high for one clock and resend the expansion channel passing information with all three channels active.

The three cases above require the following functionality in the PCI DMA expansion device:

1. Drive REQ# inactive for one clock to signal new request information.
2. Drive REQ# inactive for two clocks to signal that a request that had been granted the bus has gone inactive.
3. The REQ# and GNT# state machines must run independently and concurrently (i.e., a GNT# could be received while in the middle of sending a serial REQ# or a GNT# could be active while REQ# is inactive).

## 5.4.2 PCI DMA Expansion Cycles

The ICH's support of the PC/PCI DMA Protocol currently consists of four types of cycles: Memory to I/O, I/O to Memory, Verify, and ISA Master cycles. ISA Masters are supported through the use of a DMA channel that has been programmed for cascade mode.

The DMA controller does a two cycle transfer (a load followed by a store) as opposed to the ISA "fly-by" cycle for PC/PCI DMA agents. The memory portion of the cycle generates a PCI memory read or memory write bus cycle, its address representing the selected memory.

The I/O portion of the DMA cycle generates a PCI I/O cycle to one of four I/O addresses (Table 5-9). Note that these cycles must be qualified by an active GNT# signal to the requesting device.



**Table 5-9. DMA Cycle vs. I/O Address**

DMA Cycle Type	DMA I/O Address	PCI Cycle Type
Normal	00h	I/O Read/Write
Normal TC	04h	I/O Read/Write
Verify	0C0h	I/O Read
Verify TC	0C4h	I/O Read

### 5.4.3 DMA Addresses

The memory portion of the cycle generates a PCI memory read or memory write bus cycle, its address representing the selected memory. The I/O portion of the DMA cycle generates a PCI I/O cycle to one of the four I/O addresses listed in [Table 5-9](#).

### 5.4.4 DMA Data Generation

The data generated by PC/PCI devices on I/O reads when they have an active GNT# is on the lower two bytes of the PCI AD bus. [Table 5-10](#) lists the PCI pins that the data appears on for 8 and 16 bit channels. Each I/O read results in one memory write, and each memory read results in one I/O write. If the I/O device is 8 bit, the ICH performs an 8 bit memory write. The ICH does not assemble the I/O read into a DWord for writing to memory. Similarly, the ICH does not disassemble a DWord read from memory to the I/O device.

**Table 5-10. PCI Data Bus vs. DMA I/O port size**

PCI DMA I/O Port Size	PCI Data Bus Connection
Byte	AD[7:0]
Word	AD[15:0]

### 5.4.5 DMA Byte Enable Generation

The byte enables generated by the ICH on I/O reads and writes must correspond to the size of the I/O device. [Table 5-11](#) defines the byte enables asserted for 8 and 16 bit DMA cycles.

**Table 5-11. DMA I/O Cycle Width vs. BE[3:0]#**

BE[3:0]#	Description
1110b	8-bit DMA I/O Cycle: Channels 0-3
1100b	16-bit DMA I/O Cycle: Channels 5-7

**NOTE:** For verify cycles the value of the Byte Enables (BEs) is a “don’t care”.

### 5.4.6 DMA Cycle Termination

DMA cycles are terminated when a terminal count is reached in the DMA controller and the channel is not in autoinitialize mode, or when the PC/PCI device deasserts its request. The PC/PCI device must follow explicit rules when deasserting its request, or the ICH may not see it in time and run an extra I/O and memory cycle.

The PC/PCI device must deassert its request 7 PCICLKs before it generates TRDY# on the I/O read or write cycle, or the ICH is allowed to generate another DMA cycle. For transfers to memory, this means that the memory portion of the cycle is run without an asserted PC/PCI REQ#.

## 5.5 LPC DMA

DMA on LPC is handled through the use of the LDRQ# lines from peripherals and special encodings on LAD[3:0] from the host. Single, Demand, Verify, and Increment modes are supported on the LPC interface. Channel's 0 - 3 are 8 bit channels. Channel's 5 - 7 are 16 bit channels. Channel 4 is reserved as a generic bus master request.

### 5.5.1 Asserting DMA Requests

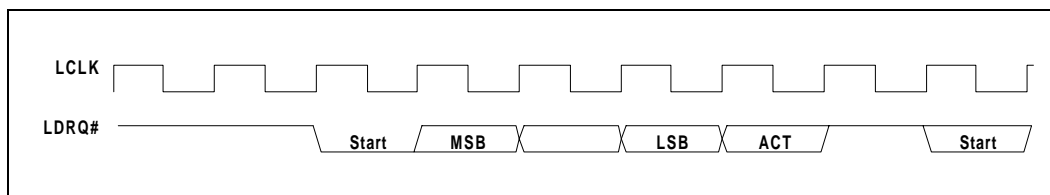
Peripherals that need DMA service encode their requested channel number on the LDRQ# signal. To simplify the protocol, each peripheral on the LPC Interface has its own dedicated LDRQ# signal (they may not be shared between two separate peripherals). The ICH has two LDRQ# inputs, allowing at least two devices to support DMA or bus mastering.

LDRQ# is synchronous with LCLK (PCI clock). As shown in Figure 5-9 the peripheral uses the following serial encoding sequence:

- Peripheral starts the sequence by asserting LDRQ# low (start bit). LDRQ# is high during idle conditions.
- The next 3 bits contain the encoded DMA channel number (MSB first).
- The next bit (ACT) indicates whether the request for the indicated DMA channel is active or inactive. The ACT bit is a 1 (high) to indicate if it is active and 0 (low) if it is inactive. The case where ACT is low is rare, and is only used to indicate that a previous request for that channel is being abandoned.
- After the active/inactive indication, the LDRQ# signal must go high for at least 1 clock. After that one clock, LDRQ# signal can be brought low to the next encoding sequence.

If another DMA channel also needs to request a transfer, another sequence can be sent on LDRQ#. For example, if an encoded request is sent for channel 2, and then channel 3 needs a transfer before the cycle for channel 2 is run on the interface, the peripheral can send the encoded request for channel 3. This allows multiple DMA agents behind an I/O device to request use of the LPC interface, and the I/O device does not need to self-arbitrate before sending the message.

Figure 5-9. DMA Request Assertion Through LDRQ#



## 5.5.2 Abandoning DMA Requests

DMA Requests can be deasserted in two fashions: on error conditions by sending an LDRQ# message with the 'ACT' bit set to '0', or normally through a SYNC field during the DMA transfer. This section describes boundary conditions where the DMA request needs to be removed prior to a data transfer.

There may be some special cases where the peripheral desires to abandon a DMA transfer. The most likely case of this occurring is due to a floppy disk controller which has overrun or underrun its FIFO, or software stopping a device prematurely.

In these cases, the peripheral wishes to stop further DMA activity. It may do so by sending an LDRQ# message with the ACT bit as '0'. However, since the DMA request was seen by the ICH, there is no guarantee that the cycle has not been granted and will shortly run on LPC. Therefore, peripherals must take into account that a DMA cycle may still occur. The peripheral can choose not to respond to this cycle, in which case the host aborts it, or it can choose to complete the cycle normally with any random data.

This method of DMA deassertion should be prevented whenever possible, to limit boundary conditions both on the ICH and the peripheral.

## 5.5.3 General Flow of DMA Transfers

Arbitration for DMA channels is performed through the 8237 within the host. Once the host has won arbitration on behalf of a DMA channel assigned to LPC, it asserts LFRAME# on the LPC Interface and begins the DMA transfer. The general flow for a basic DMA transfer is as follows:

1. ICH starts transfer by asserting '0000b' on LAD[3:0] with LFRAME# asserted.
2. ICH asserts 'cycle type' of DMA, direction based on DMA transfer direction.
3. ICH asserts channel number and, if applicable, terminal count.
4. ICH indicates the size of the transfer: 8 or 16 bits.
5. If a DMA read...
  - The ICH drives the first 8 bits of data and turns the bus around.
  - The peripheral acknowledges the data with a valid SYNC.
  - If a 16 bit transfer, the process is repeated for the next 8 bits.
6. If a DMA write...
  - The ICH turns the bus around and waits for data.
  - The peripheral indicates data ready through SYNC and transfers the first byte.
  - If a 16 bit transfer, the peripheral indicates data ready and transfers the next byte.
7. The peripheral turns around the bus.

## 5.5.4 Terminal Count

Terminal count is communicated through LAD[3] on the same clock that DMA channel is communicated on LAD[2:0]. This field is the CHANNEL field. Terminal count indicates the last byte of transfer, based upon the size of the transfer.

For example, on an 8 bit transfer size (SIZE field is '00b'), if the TC bit is set, then this is the last byte. On a 16 bit transfer (SIZE field is '01b'), if the TC bit is set, then the second byte is the last byte. The peripheral, therefore, must internalize the TC bit when the CHANNEL field is communicated, and only signal TC when the last byte of that transfer size has been transferred.

## 5.5.5 Verify Mode

Verify mode is supported on the LPC interface. A verify transfer to the peripheral is similar to a DMA write, where the peripheral is transferring data to main memory. The indication from the host is the same as a DMA write, so the peripheral will be driving data onto the LPC interface. However, the host does not transfer this data into main memory.

## 5.5.6 DMA Request Deassertion

An end of transfer is communicated to the ICH through a special SYNC field transmitted by the peripheral. An LPC device must not attempt to signal the end of a transfer by deasserting LDREQ#. If a DMA transfer is several bytes, such as a transfer from a demand mode device, the ICH needs to know when to deassert the DMA request based on the data currently being transferred.

The DMA agent uses a SYNC encoding on each byte of data being transferred, which indicates to the ICH whether this is the last byte of transfer or if more bytes are requested. To indicate the last byte of transfer, the peripheral uses a SYNC value of '0000b' (ready with no error), or '1010b' (ready with error). These encodings tell the ICH that this is the last piece of data transferred on a DMA read (ICH to peripheral), or the byte which follows is the last piece of data transferred on a DMA write (peripheral to ICH).

When the ICH sees one of these two encodings, it ends the DMA transfer after this byte and deasserts the DMA request to the 8237. Therefore, if the ICH indicated a 16 bit transfer, the peripheral can end the transfer after one byte by indicating a SYNC value of '0000b' or '1010b'. The ICH does not attempt to transfer the second byte, and deasserts the DMA request internally.

If the peripheral indicates a '0000b' or '1010b' SYNC pattern on the last byte of the indicated size, then the ICH only deasserts the DMA request to the 8237 since it does not need to end the transfer.

If the peripheral wishes to keep the DMA request active, then it uses a SYNC value of '1001b' (ready plus more data). This tells the 8237 that more data bytes are requested after the current byte has been transferred, so the ICH keeps the DMA request active to the 8237. Therefore, on an 8 bit transfer size, if the peripheral indicates a SYNC value of '1001b' to the ICH, the data is transferred and the DMA request remains active to the 8237. At a later time, the ICH then comes back with another START - CYCTYPE - CHANNEL - SIZE etc. combination to initiate another transfer to the peripheral.

The peripheral must not assume that the next START indication from the ICH is another grant to the peripheral if it had indicated a SYNC value of '1001b'. On a single mode DMA device, the 8237 re-arbitrates after every transfer. Only demand mode DMA devices can be guaranteed that they receive the next START indication from the ICH.

**Note:** Indicating a '0000b' or '1010b' encoding on the SYNC field of an odd byte of a 16 bit channel (first byte of a 16 bit transfer) is an error condition.

**Note:** The host stops the transfer on the LPC bus as indicated, fills the upper byte with random data on DMA writes (peripheral to memory), and indicates to the 8237 that the DMA transfer occurred, incrementing the 8237's address and decrementing its byte count.

### 5.5.7 SYNC Field / LDRQ# Rules

Since DMA transfers on LPC are requested through an LDRQ# assertion message, and are ended through a SYNC field during the DMA transfer, the peripheral must obey the following rule when initiating back-to-back transfers from a DMA channel.

The peripheral must not assert another message for 8 LCLKs after a deassertion is indicated through the SYNC field. This is needed to allow the 8237, which typically runs off a much slower internal clock, to see a message deasserted before it is re-asserted so that it can arbitrate to the next agent.

Under default operation, the host only performs 8 bit transfers on 8 bit channels and 16 bit transfers on 16 bit channels.

The method by which this communication between host and peripheral through system BIOS is performed is beyond the scope of this specification. Since the LPC host and LPC peripheral are motherboard devices, no "plug-n-play" registry is required.

The peripheral must not assume that the host is able to perform transfer sizes that are larger than the size allowed for the DMA channel, and is willing to accept a SIZE field that is smaller than what it may currently have buffered.

To that end, it is recommended that future devices which may appear on the LPC bus, which require higher bandwidth than 8 bit or 16 bit DMA allow, do so with a bus mastering interface and not rely on the 8237.

## 5.6 8254 Timers (D31:F0)

The ICH contains three counters which have fixed uses. All registers and functions associated with the 8254 timers are in the Core well. The 8254 unit is clocked by a 14.31818 MHz clock.

### Counter 0, System Timer

This counter functions as the system timer by controlling the state of IRQ0 and is typically programmed for Mode 3 operation. The counter produces a square wave with a period equal to the product of the counter period (838 ns) and the initial count value. The counter loads the initial count value one counter period after software writes the count value to the counter I/O address. The counter initially asserts IRQ0 and decrements the count value by two each counter period. The counter negates IRQ0 when the count value reaches 0. It then reloads the initial count value and again decrements the initial count value by two each counter period. The counter then asserts IRQ0 when the count value reaches 0, reloads the initial count value, and repeats the cycle, alternately asserting and negating IRQ0.

### Counter 1, Refresh Request Signal

This counter provides the refresh request signal and is typically programmed for Mode 2 operation. The counter negates refresh request for one counter period (838 ns) during each count cycle. The initial count value is loaded one counter period after being written to the counter I/O address. The counter initially asserts refresh request, and negates it for 1 counter period when the count value reaches 1. The counter then asserts refresh request and continues counting from the initial count value.

### Counter 2, Speaker Tone

This counter provides the speaker tone and is typically programmed for Mode 3 operation. The counter provides a speaker frequency equal to the counter clock frequency (1.193 MHz) divided by the initial count value. The speaker must be enabled by a write to port 061h (see NMI Status and Control ports).

### 5.6.1 Timer Programming

The counter/timers are programmed in the following fashion:

1. Write a control word to select a counter
2. Write an initial count for that counter.
3. Load the least and/or most significant bytes (as required by Control Word bits 5, 4) of the 16-bit counter.
4. Repeat with other counters

Only two conventions need to be observed when programming the counters. First, for each counter, the control word must be written before the initial count is written. Second, the initial count must follow the count format specified in the control word (least significant byte only, most significant byte only, or least significant byte and then most significant byte).

A new initial count may be written to a counter at any time without affecting the counter's programmed mode. Counting is affected as described in the mode definitions. The new count must follow the programmed count format.

If a counter is programmed to read/write two-byte counts, the following precaution applies: A program must not transfer control between writing the first and second byte to another routine which also writes into that same counter. Otherwise, the counter is loaded with an incorrect count.

The Control Word Register at port 43h controls the operation of all three counters. Several commands are available:

- **Control Word Command.** Specifies which counter to read or write, the operating mode, and the count format (binary or BCD).
- **Counter Latch Command.** Latches the current count so that it can be read by the system. The countdown process continues.
- **Read Back Command.** Reads the count value, programmed mode, the current state of the OUT pins, and the state of the Null Count Flag of the selected counter.

Table 5-12 lists the six operating modes for the interval counters.

**Table 5-12. Counter Operating Modes**

Mode	Function	Description
0	Out signal on end of count (=0)	Output is '0'. When count goes to 0, output goes to '1' and stays at '1' until counter is reprogrammed.
1	Hardware retriggerable one-shot	Output is '0'. When count goes to 0, output goes to '1' for one clock time.
2	Rate generator (divide by n counter)	Output is '1'. Output goes to '0' for one clock time, then back to '1' and counter is reloaded.
3	Square wave output	Output is '1'. Output goes to '0' when counter rolls over, and counter is reloaded. Output goes to '1' when counter rolls over, and counter is reloaded, etc.
4	Software triggered strobe	Output is '1'. Output goes to '0' when count expires for one clock time.
5	Hardware triggered strobe	Output is '1'. Output goes to '0' when count expires for one clock time.

## 5.6.2 Reading from the Interval Timer

It is often desirable to read the value of a counter without disturbing the count in progress. There are three methods for reading the counters: a simple read operation, counter Latch Command, and the Read-Back Command. Each is explained below.

With the simple read and counter latch command methods, the count must be read according to the programmed format; specifically, if the counter is programmed for two byte counts, two bytes must be read. The two bytes do not have to be read one right after the other. Read, write, or programming operations for other counters may be inserted between them.

### Simple Read

The first method is to perform a simple read operation. The counter is selected through port 40h (counter 0), 41h (counter 1), or 42h (counter 2).

**Note:** Performing a direct read from the counter does not return a determinate value, because the counting process is asynchronous to read operations. However, in the case of counter 2, the count can be stopped by writing to the GATE bit in port 61h.

### Counter Latch Command

The Counter Latch Command, written to port 43h, latches the count of a specific counter at the time the command is received. This command is used to ensure that the count read from the counter is accurate, particularly when reading a two-byte count. The count value is then read from each counter's Count Register as was programmed by the Control Register.

The count is held in the latch until it is read or the counter is reprogrammed. The count is then unlatched. This allows reading the contents of the counters on the fly without affecting counting in progress. Multiple Counter Latch Commands may be used to latch more than one counter. Counter Latch Commands do not affect the programmed mode of the counter in any way.

If a Counter is latched and then, some time later, latched again before the count is read, the second Counter Latch Command is ignored. The count read is the count at the time the first Counter Latch Command was issued.

### Read Back Command

The Read Back Command, written to port 43h, latches the count value, programmed mode, and current states of the OUT pin and Null Count flag of the selected counter or counters. The value of the counter and its status may then be read by I/O access to the counter address.

The Read Back Command may be used to latch multiple counter outputs at one time. This single command is functionally equivalent to several counter latch commands, one for each counter latched. Each counter's latched count is held until it is read or reprogrammed. Once read, a counter is unlatched. The other counters remain latched until they are read. If multiple count Read Back Commands are issued to the same counter without reading the count, all but the first are ignored.

The Read Back Command may additionally be used to latch status information of selected counters. The status of a counter is accessed by a read from that counter's I/O port address. If multiple counter status latch operations are performed without reading the status, all but the first are ignored.

Both count and status of the selected counters may be latched simultaneously. This is functionally the same as issuing two consecutive, separate Read Back Commands. If multiple count and/or status Read Back Commands are issued to the same counters without any intervening reads, all but the first are ignored.

If both count and status of a counter are latched, the first read operation from that counter returns the latched status, regardless of which was latched first. The next one or two reads, depending on whether the counter is programmed for one or two type counts, return the latched count. Subsequent reads return unlatched count.



## 5.7 8259 Interrupt Controllers (PIC) (D31:F0)

The ICH incorporates the functionality of two 8259 interrupt controllers that provide system interrupts for the ISA compatible interrupts. These interrupts are: system timer, keyboard controller, serial ports, parallel ports, floppy disk, IDE, mouse, and DMA channels. In addition, this interrupt controller can support the PCI based interrupts, by mapping the PCI interrupt onto the compatible ISA interrupt line. Each 8259 core supports 8 interrupts, numbered 0 - 7. [Table 5-13](#) shows how the cores are connected

**Table 5-13. Interrupt Controller Core Connections**

8259	8259 Input	Typical Interrupt Source	Connected Pin / Function
Master	0	Internal	Internal Timer / Counter 0 output
	1	Keyboard	IRQ1 via SERIRQ
	2	Internal	Slave Controller INTR output
	3	Serial Port A	IRQ3 via SERIRQ
	4	Serial Port B	IRQ4 via SERIRQ
	5	Parallel Port / Generic	IRQ5 via SERIRQ
	6	Floppy Disk	IRQ6 via SERIRQ
	7	Parallel Port / Generic	IRQ7 via SERIRQ
Slave	0	Internal Real Time Clock	Internal RTC
	1	Generic	IRQ9 via SERIRQ
	2	Generic	IRQ10 via SERIRQ
	3	Generic	IRQ11 via SERIRQ
	4	PS/2 Mouse	IRQ12 via SERIRQ
	5	Internal	State Machine output based on processor FERR# assertion.
	6	Primary IDE cable	IRQ14 from input signal or via SERIRQ
	7	Secondary IDE Cable	IRQ15 from input signal or via SERIRQ

The ICH cascades the slave controller onto the master controller through master controller interrupt input 2. This means there are only 15 possible interrupts for the ICH PIC. Interrupts can individually be programmed to be edge or level, except for IRQ0, IRQ2, IRQ8#, and IRQ13.

**Note:** Previous devices internally latched IRQ12 and IRQ1 and required a port 60h read to clear the latch. The ICH can be programmed to latch IRQ12 or IRQ1 (see bit 11 and bit 12 in General Control Register, [Section 8.1.21](#)).

### 5.7.1 Interrupt Handling

#### Generating Interrupts

The PIC interrupt sequence involves three bits, from the IRR, ISR, and IMR, for each interrupt level. These bits are used to determine the interrupt vector returned, and status of any other pending interrupts. [Table 5-14](#) defines the IRR, ISR and IMR.

**Table 5-14. Interrupt Status Registers**

Bit	Description
IRR	<b>Interrupt Request Register.</b> This bit is set on a low to high transition of the interrupt line in edge mode, and by an active high level in level mode. This bit is set whether or not the interrupt is masked. However, a masked interrupt does not generate INTR.
ISR	<b>Interrupt Service Register.</b> This bit is set, and the corresponding IRR bit cleared, when an interrupt acknowledge cycle is seen, and the vector returned is for that interrupt.
IMR	<b>Interrupt Mask Register.</b> This bit determines whether an interrupt is masked. Masked interrupts do not generate INTR.

### Acknowledging Interrupts

The processor generates an interrupt acknowledge cycle which is translated by the host bridge into a PCI Interrupt Acknowledge Cycle to the ICH. The PIC translates this command into two internal INTA# pulses expected by the 8259 cores. The PIC uses the first internal INTA# pulse to freeze the state of the interrupts for priority resolution. On the second INTA# pulse, the master or slave sends the interrupt vector to the processor with the acknowledged interrupt code. This code is based upon bits [7:3] of the corresponding ICW2 register, combined with three bits representing the interrupt within that controller.

**Table 5-15. Content of Interrupt Vector Byte**

Master,Slave Interrupt	Bits [7:3]	Bits [2:0]
IRQ7,15	ICW2[7:3]	111
IRQ6,14		110
IRQ5,13		101
IRQ4,12		100
IRQ3,11		011
IRQ2,10		010
IRQ1,9		001
IRQ0,8		000

### Hardware/Software Interrupt Sequence

1. One or more of the Interrupt Request lines (IRQ) are raised high in edge mode, or seen high in level mode, setting the corresponding IRR bit.
2. The PIC sends INTR active (low) to the processor if an asserted interrupt is not masked.
3. The processor acknowledges the INTR and responds with an interrupt acknowledge cycle. The cycle is translated into a PCI interrupt acknowledge cycle by the host bridge. This command is broadcast over PCI by the ICH.
4. Upon observing its own interrupt acknowledge cycle on PCI, the ICH converts it into the two cycles that the internal 8259 pair can respond to. Each cycle appears as an interrupt acknowledge pulse on the internal INTA# pin of the cascaded interrupt controllers.
5. Upon receiving the first internally generated INTA# pulse, the highest priority ISR bit is set and the corresponding IRR bit is reset. On the trailing edge of the first pulse, a slave identification code is broadcast by the master to the slave on a private, internal three bit wide bus. The slave controller uses these bits to determine if it must respond with an interrupt vector during the second INTA# pulse.
6. Upon receiving the second internally generated INTA# pulse, the PIC returns the interrupt vector. If no interrupt request is present because the request was too short in duration, the PIC returns vector 7 from the master controller.
7. This completes the interrupt cycle. In AEIOI mode the ISR bit is reset at the end of the second INTA# pulse. Otherwise, the ISR bit remains set until an appropriate EOI command is issued at the end of the interrupt subroutine.

## 5.7.2 Initialization Command Words (ICWx)

Before operation can begin, each 8259 must be initialized. In the ICH, this is a four byte sequence. The four initialization command words are referred to by their acronyms: ICW1, ICW2, ICW3, and ICW4.

The base address for each 8259 initialization command word is a fixed location in the I/O memory space: 20h for the master controller, and A0h for the slave controller.

### ICW1

An I/O write to the master or slave controller base address with data bit 4 equal to 1 is interpreted as a write to ICW1. Upon sensing this write, the ICH PIC expects three more byte writes to 21h for the master controller, or A1h for the slave controller, to complete the ICW sequence.

A write to ICW1 starts the initialization sequence during which the following automatically occur:

1. Following initialization, an interrupt request (IRQ) input must make a low-to-high transition to generate an interrupt.
2. The Interrupt Mask Register is cleared.
3. IRQ7 input is assigned priority 7.
4. The slave mode address is set to 7.
5. Special Mask Mode is cleared and Status Read is set to IRR.

## ICW2

The second write in the sequence, ICW2, is programmed to provide bits [7:3] of the interrupt vector that is released during an interrupt acknowledge. A different base is selected for each interrupt controller.

## ICW3

The third write in the sequence, ICW3, has a different meaning for each controller.

- For the master controller, ICW3 is used to indicate which IRQ input line is used to cascade the slave controller. Within the ICH, IRQ2 is used. Therefore, bit 2 of ICW3 on the master controller is set to a 1, and the other bits are set to 0's.
- For the slave controller, ICW3 is the slave identification code used during an interrupt acknowledge cycle. On interrupt acknowledge cycles, the master controller broadcasts a code to the slave controller if the cascaded interrupt won arbitration on the master controller. The slave controller compares this identification code to the value stored in its ICW3, and if it matches, the slave controller assumes responsibility for broadcasting the interrupt vector.

## ICW4

The final write in the sequence, ICW4, must be programmed both controllers. At the very least, bit 0 must be set to a 1 to indicate that the controllers are operating in an Intel Architecture-based system.

### 5.7.3 Operation Command Words (OCW)

These command words reprogram the Interrupt Controller to operate in various interrupt modes.

- OCW1 masks and unmasks interrupt lines.
- OCW2 controls the rotation of interrupt priorities when in rotating priority mode, and controls the EOI function.
- OCW3 is sets up ISR/IRR reads, enables/disables the Special Mask Mode SMM, and enables/disables polled interrupt mode.

### 5.7.4 Modes of Operation

#### Fully Nested Mode

In this mode, interrupt requests are ordered in priority from 0 through 7, with 0 being the highest. When an interrupt is acknowledged, the highest priority request is determined and its vector placed on the bus. Additionally, the ISR for the interrupt is set. This ISR bit remains set until: the processor issues an EOI command immediately before returning from the service routine; or if in AEOI mode, on the trailing edge of the second INTA#. While the ISR bit is set, all further interrupts of the same or lower priority are inhibited, while higher levels generate another interrupt.

Interrupt priorities can be changed in the rotating priority mode.

### Special Fully Nested Mode

This mode is used in the case of a system where cascading is used, and the priority has to be conserved within each slave. In this case, the special fully nested mode is programmed to the master controller. This mode is similar to the fully nested mode with the following exceptions:

- When an interrupt request from a certain slave is in service, this slave is not locked out from the master's priority logic and further interrupt requests from higher priority interrupts within the slave is recognized by the master and initiates interrupts to the processor. In the normal nested mode, a slave is masked out when its request is in service.
- When exiting the Interrupt Service routine, software has to check whether the interrupt serviced was the only one from that slave. This is done by sending a Non-Specific EOI command to the slave and then reading its ISR. If it is 0, a non-specific EOI can also be sent to the master.

### Automatic Rotation Mode (Equal Priority Devices)

In some applications, there are a number of interrupting devices of equal priority. Automatic rotation mode provides for a sequential 8-way rotation. In this mode, a device receives the lowest priority after being serviced. In the worst case, a device requesting an interrupt has to wait until each of seven other devices are serviced at most once.

There are two ways to accomplish automatic rotation using OCW2; the Rotation on Non-Specific EOI Command (R=1, SL=0, EOI=1) and the Rotate in Automatic EOI Mode which is set by (R=1, SL=0, EOI=0).

### Specific Rotation Mode (Specific Priority)

Software can change interrupt priorities by programming the bottom priority. For example, if IRQ5 is programmed as the bottom priority device, then IRQ6 is the highest priority device. The Set Priority Command is issued in OCW2 to accomplish this, where: R=1, SL=1, and LO-L2 is the binary priority level code of the bottom priority device.

In this mode, internal status is updated by software control during OCW2. However, it is independent of the EOI command. Priority changes can be executed during an EOI command by using the Rotate on Specific EOI Command in OCW2 (R=1, SL=1, EOI=1 and LO-L2=IRQ level to receive bottom priority).

### Poll Mode

Poll Mode can be used to conserve space in the interrupt vector table. Multiple interrupts that can be serviced by one interrupt service routine do not need separate vectors if the service routine uses the poll command. Polled Mode can also be used to expand the number of interrupts. The polling interrupt service routine can call the appropriate service routine, instead of providing the interrupt vectors in the vector table. In this mode, the INTR output is not used and the microprocessor internal Interrupt Enable flip-flop is reset, disabling its interrupt input. Service to devices is achieved by software using a Poll Command.

The Poll command is issued by setting P=1 in OCW3. The PIC treats its next I/O read as an interrupt acknowledge, sets the appropriate ISR bit if there is a request, and reads the priority level. Interrupts are frozen from the OCW3 write to the I/O read. The byte returned during the I/O read contains a '1' in bit 7 if there is an interrupt, and the binary code of the highest priority level in bits 2:0.

### Cascade Mode

The PIC in the ICH has one master 8259 and one slave 8259 cascaded onto the master through IRQ2. This configuration can handle up to 15 separate priority levels. The master controls the slaves through a three bit internal bus. In the ICH, when the master drives 010b on this bus, the slave controller takes responsibility for returning the interrupt vector. An EOI Command must be issued twice: once for the master and once for the slave.

### Edge and Level Triggered Mode

In ISA systems this mode is programmed using bit 3 in ICW1, which sets level or edge for the entire controller. In the ICH, this bit is disabled and a new register for edge and level triggered mode selection, per interrupt input, is included. This is the Edge/Level control Registers ELCR1 and ELCR2.

If an ELCR bit is '0', an interrupt request is recognized by a low to high transition on the corresponding IRQ input. The IRQ input can remain high without generating another interrupt. If an ELCR bit is '1', an interrupt request is recognized by a high level on the corresponding IRQ input and there is no need for an edge detection. The interrupt request must be removed before the EOI command is issued to prevent a second interrupt from occurring.

In both the edge and level triggered modes, the IRQ inputs must remain active until after the falling edge of the first internal INTA#. If the IRQ input goes inactive before this time, a default IRQ7 vector is returned.

### End of Interrupt Operations

An EOI can occur in one of two fashions: by a command word write issued to the PIC before returning from a service routine, the EOI command; or automatically when AEOI bit in ICW1 is set to 1.

### Normal End of Interrupt

In Normal EOI, software writes an EOI command before leaving the interrupt service routine to mark the interrupt as completed. There are two forms of EOI commands: Specific and Non-Specific. When a Non-Specific EOI command is issued, the PIC clears the highest ISR bit of those that are set to 1. Non-Specific EOI is the normal mode of operation of the PIC within the ICH, as the interrupt being serviced currently is the interrupt entered with the interrupt acknowledge. When the PIC is operated in modes which preserve the fully nested structure, software can determine which ISR bit to clear by issuing a Specific EOI. An ISR bit that is masked is not be cleared by a Non-Specific EOI if the PIC is in the Special Mask Mode. An EOI command must be issued for both the master and slave controller.

### Automatic End of Interrupt Mode

In this mode, the PIC automatically performs a Non-Specific EOI operation at the trailing edge of the last interrupt acknowledge pulse. From a system standpoint, this mode should be used only when a nested multi-level interrupt structure is not required within a single PIC. The AEOI mode can only be used in the master controller and not the slave controller.

## 5.7.5 Masking Interrupts

### Masking on an Individual Interrupt Request

Each interrupt request can be masked individually by the Interrupt Mask Register (IMR). This register is programmed through OCW1. Each bit in the IMR masks one interrupt channel. Masking IRQ2 on the master controller masks all requests for service from the slave controller.

### Special Mask Mode

Some applications may require an interrupt service routine to dynamically alter the system priority structure during its execution under software control. For example, the routine may wish to inhibit lower priority requests for a portion of its execution but enable some of them for another portion.

The Special Mask Mode enables all interrupts not masked by a bit set in the Mask Register. Normally, when an interrupt service routine acknowledges an interrupt without issuing an EOI to clear the ISR bit, the interrupt controller inhibits all lower priority requests. In the Special Mask Mode, any interrupts may be selectively enabled by loading the Mask Register with the appropriate pattern. The special Mask Mode is set by OCW3 where: SSMM=1, SMM=1, and cleared where SSMM=1, SMM=0.

## 5.7.6 Steering PCI Interrupts

The ICH can be programmed to allow PIRQA#-PIRQD# to be internally routed to interrupts 3-7, 9-12, 14 or 15. The assignment is programmable through the PIRQx Route Control registers, located at 60-63h in function 0. One or more PIRQx# lines can be routed to the same IRQx input. If interrupt steering is not required, the Route Registers can be programmed to disable steering.

The PIRQx# lines are defined as active low, level sensitive to allow multiple interrupts on a PCI Board to share a single line across the connector. When a PIRQx# is routed to specified IRQ line, software must change the IRQ's corresponding ELCR bit to level sensitive mode. The ICH internally inverts the PIRQx# line to send an active high level to the PIC. When a PCI interrupt is routed onto the PIC, the selected IRQ can no longer be used by an ISA device (through SERIRQ). However, active low non-ISA interrupts can share their interrupt with PCI interrupts.

## 5.8 Advanced Interrupt Controller (APIC) (D31:F0)

In addition to the standard ISA compatible interrupt controller (PIC) described in the previous chapter, the ICH incorporates the Advanced Programmable Interrupt Controller (APIC). While the standard interrupt controller is intended for use in a uni-processor system, APIC can be used in either a uni-processor or multi-processor system.

### 5.8.1 Interrupt Handling

The I/O APIC handles interrupts very differently than the 8259. Briefly, these differences are:

- **Method of Interrupt Transmission.** The I/O APIC transmits interrupts through a three wire bus, and interrupts are handled without the need for the processor to run an interrupt acknowledge cycle.
- **Interrupt Priority.** The priority of interrupts in the I/O APIC is independent of the interrupt number. For example, interrupt 10 can be given a higher priority than interrupt 3.
- **More Interrupts.** The I/O APIC in the ICH supports a total of 24 interrupts.
- **Multiple Interrupt Controllers.** The I/O APIC interrupt transmission protocol has an arbitration phase, which allows for multiple I/O APICs in the system with their own interrupt vectors. The ICH I/O APIC must arbitrate for the APIC bus before transmitting its interrupt message.

### 5.8.2 Interrupt Mapping

The I/O APIC within the ICH supports 24 APIC interrupts. Each interrupt has its own unique vector assigned by software. The interrupt vectors are mapped as shown in [Table 5-16](#).

**Table 5-16. APIC interrupt Mapping**

I/O APIC Input	Interrupt	Comment
Interrupt 0	8259 INTR	
Interrupt 1	ISA Interrupt 1	
Interrupt 2	ISA Interrupt 0	Counter 0 output of 8254
Interrupts 3 - 12	ISA IRQ3-7,IRQ8#,IRQ9-12	IRQ8# is inverted internally
Interrupt 13	ISA interrupt 13	Internally generated off of FERR#
Interrupt 14 - 15	ISA Interrupt 14-15	Comes from IRQ[14:15] input signals or from SERIRQ
Interrupt 16	PCI Interrupt A	Comes from PIRQA input signal or SERIRQ
Interrupt 17	PCI Interrupt B	Comes from PIRQB input signal or SERIRQ
Interrupt 18	PCI Interrupt C	Comes from PIRQC input signal or SERIRQ
Interrupt 19	PCI Interrupt D	Comes from PIRQD input signal or SERIRQ
Interrupt 20	IRQ20	Can come from internal modules
Interrupt 21	IRQ21	Can come from internal modules
Interrupt 22	IRQ22	Can come from internal modules
Interrupt 23	IRQ23	Can come from internal modules



## 5.8.3 APIC Bus Functional Description

### 5.8.3.1 Physical Characteristics of APIC

The APIC bus is a 3-wire synchronous bus connecting all I/O and local APICs. Two of these wires are used for data transmission, and one wire is a clock. For bus arbitration, the APIC uses only one of the data wires. The bus is logically a wire-OR and electrically an open-drain connection providing for both bus use arbitration and arbitration for lowest priority. The APIC bus speed can run from 16.67 MHz to 33 MHz.

### 5.8.3.2 APIC Bus Arbitration

The I/O APIC uses one wire arbitration to win bus ownership. A rotating priority scheme is used for APIC bus arbitration. The winner of the arbitration becomes the lowest priority agent and assumes an arbitration ID of 0. All other agents, except the agent whose arbitration ID is 15, increment their Arbitration IDs by one. The agent whose ID was 15 takes the winner's arbitration ID and increments it by one. Arbitration IDs are changed only for messages that are transmitted successfully (except for the Low Priority messages). A message is transmitted successfully if no CS error or acceptance error was reported for that message.

An APIC agent can use two different priority schemes: Normal or EOI. EOI has the highest priority. EOI priority is used to send EOI messages for level interrupts from a local APIC to an I/O APIC. When an agent requests the bus with EOI priority, all other agents requesting the bus with normal priorities will back off.

When the ICH detects a bus idle condition on the APIC Bus, and it has an interrupt to send over the APIC bus, it drives a start cycle to begin arbitration, by driving bit 0 to a '0' on an APICCLK rising edge. It then samples bit 1. If Bit 1 was a 0, then a local APIC started arbitration for an EOI message on the same clock edge that the ICH started arbitration. The ICH has, thus, lost arbitration and stops driving the APIC bus.

If the ICH did not see an EOI message start, it starts transferring its arbitration ID, located in bits [27:24] of its Arbitration ID register (ARBID). Starting in Cycle 2, through Cycle 5, it tri-states bit 0, and drives bit 1 to a '0' if ARBID[27] is a '1'. If ARBID[27] is a '0', it also tri-states bit 1. At the end of each cycle, the ICH samples the state of Bit 1 on the APIC bus. If the ICH did not drive Bit 1 (ARBID[27] = '0'), and it samples a '0', then another APIC agent started arbitration for the APIC bus at the same time as the ICH, and it has higher priority. The ICH stops driving the APIC bus.

[Table 5-17](#) describes the arbitration cycles.

**Table 5-17. Arbitration Cycles**

Cycle	Bit 1	Bit 0	Comment
1	EOI	0	Bit 1 = 1: Normal, Bit 1 = 0: EOI
2	NOT (ARBID[27])	1	Arbitration ID. If ICH samples a different value than it sent, it lost arbitration.
3	NOT (ARBID[26])	1	
4	NOT (ARBID[25])	1	
5	NOT (ARBID[24])	1	

### 5.8.3.3 Bus Message Formats

After bus arbitration, the winner is granted exclusive use of the bus and drives its message. APIC messages come in four formats, determined by the delivery mode bits. These four messages are of different length, and are known by all APICs on the bus through the transmission of the Delivery Mode bits.

**Table 5-18. APIC Message Formats**

Message	# of Cycles	Delivery Mode Bits	Comments
EOI	14	xxx	End of Interrupt transmission from Local APIC to I/O APIC on Level interrupts. EOI is known by the EOI bit at the start of arbitration.
Short	21	001, 010, 100, 101, 111	I/O APIC delivery on Fixed, NMI, SMI, Reset, ExtINT, and Lowest Priority with focus processor messages.
Lowest Priority	33	001	Transmission of Lowest Priority interrupts when the status field indicates that the processor does not have focus.
Remote Read	39	011	Message from one Local APIC to another to read registers.

#### EOI Message For Level Triggered Interrupts

EOI messages are used by local APICs to send an EOI cycle occurring for a level triggered interrupt to an I/O APIC. This message is needed so that the I/O APIC can differentiate between a new interrupt on the interrupt line versus the same interrupt on the interrupt line. The target of the EOI is given by the local APIC through the transmission of the priority vector (V7 through V0) of the interrupt. Upon receiving this message, the I/O APIC resets the Remote IRR bit for that interrupt. If the interrupt signal is still active after the IRR bit is reset, the I/O APIC treats it as a new interrupt.

**Table 5-19. EOI Message**

Cycle	Bit 1	Bit 0	Comments
1	0	0	EOI message
2 - 5	ARBID	1	Arbitration ID
6	NOT(V7)	NOT(V6)	Interrupt vector bits V7 - V0 from redirection table register
7	NOT(V5)	NOT(V4)	
8	NOT(V3)	NOT(V2)	
9	NOT(V1)	NOT(V0)	
10	NOT(C1)	NOT(C0)	Check Sum from Cycles 6 - 9
11	1	1	Postamble
12	NOT(A)	NOT(A)	Status Cycle 0
13	NOT(A1)	NOT(A1)	Status Cycle 1
14	1	1	Idle

## Short Message

Short messages are used for the delivery of Fixed, NMI, SMI, Reset, ExtINT and Lowest Priority with Focus processor interrupts. The delivery mode bits (M2-M0) specify the message. All short messages take 21 cycles including the idle cycle.

**Table 5-20. Short Message**

Cycle	Bit 1	Bit 0	Comments
1	1	0	Normal Arbitration
2 - 5	ARBID	1	Arbitration ID
6	NOT(DM)	NOT(M2)	DM <sup>1</sup> = Destination Mode from bit 11 of the redirection table register
7	NOT(M1)	NOT(M0)	M2-M0 = Delivery Mode from bits 10:8 of the redirection table register
8	NOT(L)	NOT(TM)	L = Level, TM = Trigger Mode
9	NOT(V7)	NOT(V6)	Interrupt vector bits V7 - V0 from redirection table register
10	NOT(V5)	NOT(V4)	
11	NOT(V3)	NOT(V2)	
12	NOT(V1)	NOT(V0)	
13	NOT(D7)	NOT(D6)	Destination field from bits 63:56 of redirection table register <sup>1</sup>
14	NOT(D5)	NOT(D4)	
15	NOT(D3)	NOT(D2)	
16	NOT(D1)	NOT(D0)	
17	NOT(C1)	NOT(C0)	Checksum for Cycles 6 - 16 <sup>2</sup>
18	1	1	Postamble <sup>3</sup>
19	NOT(A)	NOT(A)	Status Cycle 0. See <a href="#">Table 5-21</a> .
20	NOT(A1)	NOT(A1)	Status Cycle 1. See <a href="#">Table 5-21</a> .
21	1	1	Idle

**NOTES:**

1. If DM is 0 (physical mode), then cycles 15 and 16 are the APIC ID and cycles 13 and 14 are sent as '1'. If DM is 1 (logical mode), then cycles 13 through 16 are the 8-bit Destination field. The interpretation of the logical mode 8-bit Destination field is performed by the local units using the Destination Format Register. Shorthand's of "all-incl-self" and "all-excl-self" both use Physical Destination mode and a destination field containing APIC ID value of all ones. The sending APIC knows whether it should (incl) or should not (excl) respond to its own message.
2. The checksum field is the cumulative add (mod 4) of all data bits (DM, M0-3, L, TM, V0-7, D0-7). The APIC driving the message provides this checksum. This, in essence, is the lower two bits of an adder at the end of the message.
3. This cycle allows all APICs to perform various internal computations based on the information contained in the received message. One of the computations takes the checksum of the data received in cycles 6 through 16 and compares it with the value in cycle 18. If any APIC computes a different checksum than the one passed in cycle 17, then that APIC signals an error on the APIC bus ("00") in cycle 19. If this happens, all APICs assume the message was never sent and the sender must try sending the message again. This includes re-arbitrating for the APIC bus. In lowest priority delivery when the interrupt has a focus processor, the focus processor signals this by driving a "01" during cycle 19. This instructs all the other APICs that the interrupt has been accepted, the arbitration is preempted, and short message format is used. Cycle 19 and 20 indicates the status of the message (i.e., accepted, check sum error, retry or error). [Table 5-21](#) shows the status signal combinations and their meanings for all delivery modes.

**Table 5-21. APIC Bus Status Cycle Definition**

Delivery Mode	A	Comments	A1	Comments
Fixed, EOI	11	Checksum OK	1x	Error
			01	Accepted
			00	Retry
	10	Error	xx	
	01	Error	xx	
	00	Checksum Error	xx	
NMI, SMM, Reset, ExtINT	11	Checksum OK	1x	Error
			01	Accepted
			00	Error
	10	Error	xx	
	01	Error	xx	
	00	Checksum Error	xx	
Lowest Priority	11	Checksum OK: No Focus Processor	1x	Error
			01	End and Retry
			00	Go for Low Priority Arbitration
	10	Error	xx	
	01	Checksum OK: Focus Processor	xx	
	00	Checksum Error	xx	
Remote Read	11	Checksum OK	xx	
	10	Error	xx	
	01	Error	xx	
	00	Checksum Error	xx	

### Lowest Priority without Focus Processor (FP) Message

This message format is used to deliver an interrupt in the lowest priority mode in which it does not have a Focus Process. Cycles 1 through 21 for this message is same as for the short message discussed above. Status cycle 19 identifies if there is a Focus processor (10) and a status value of 11 in cycle 20 indicates the need for lowest priority arbitration.

**Table 5-22. Lowest Priority Message (Without Focus Processor)**

Cycle	Bit 1	Bit 0	Comments
1	1	0	Normal Arbitration
2 - 5	ARBID	1	Arbitration ID
6	NOT(DM)	NOT(M2)	DM = Destination Mode from bit 11 of the redirection table register
7	NOT(M1)	NOT(M0)	M2-M0 = Delivery Mode from bits 10:8 of the redirection table register
8	NOT(L)	NOT(TM)	L = Level, TM = Trigger Mode
9	NOT(V7)	NOT(V6)	Interrupt vector bits V7 - V0 from redirection table register
10	NOT(V5)	NOT(V4)	
11	NOT(V3)	NOT(V2)	
12	NOT(V1)	NOT(V0)	
13	NOT(D7)	NOT(D6)	Destination field from bits 63:56 of redirection table register
14	NOT(D5)	NOT(D4)	
15	NOT(D3)	NOT(D2)	
16	NOT(D1)	NOT(D0)	
17	NOT(C1)	NOT(C0)	Checksum for Cycles 6 - 16
18	1	1	Postamble
19	NOT(A)	NOT(A)	Status Cycle 0.
20	NOT(A1)	NOT(A1)	Status Cycle 1.
21	P7	1	Inverted Processor Priority P7 - P0
22	P6	1	
23	P5	1	
24	P4	1	
25	P3	1	
26	P2	1	
27	P1	1	
28	P0	1	
29	ArbID3	1	
30	ArbID2	1	
31	ArbID1	1	
32	ArbID0	1	
33	S	S	Status
34	1	1	Idle

**NOTES:**

1. Cycle 21 through 28 are used to arbitrate for the lowest priority processor. The processor that takes part in the arbitration drives the processor priority on the bus. Only the local APICs that have "free interrupt slots" participates in the lowest priority arbitration.
2. Cycles 29 through 32 are used to break tie in case two more processors have lowest priority. The bus arbitration ID's are used to break the tie.

## Remote Read Message

Remote read message is used when a local APIC wishes to read the register in another local APIC. The message format is same as short message for the first 21 cycles.

**Table 5-23. Remote Read Message**

Cycle	Bit 1	Bit 0	Comments
1	1	0	Normal Arbitration
2 - 5	ARBID	1	Arbitration ID
6	NOT(DM)	NOT(M2)	DM = Destination Mode from bit 11 of the redirection table register
7	NOT(M1)	NOT(M0)	M2-M0 = Delivery Mode from bits 10:8 of the redirection table register
8	NOT(L)	NOT(TM)	L = Level, TM = Trigger Mode
9	NOT(V7)	NOT(V6)	Interrupt vector bits V7 - V0 from redirection table register
10	NOT(V5)	NOT(V4)	
11	NOT(V3)	NOT(V2)	
12	NOT(V1)	NOT(V0)	
13	NOT(D7)	NOT(D6)	Destination field from bits 63:56 of redirection table register
14	NOT(D5)	NOT(D4)	
15	NOT(D3)	NOT(D2)	
16	NOT(D1)	NOT(D0)	
17	NOT(C1)	NOT(C0)	Checksum for Cycles 6 - 16
18	1	1	Postamble
19	NOT(A)	NOT(A)	Status Cycle 0.
20	NOT(A1)	NOT(A1)	Status Cycle 1.
21	d31	d30	Remote register data 31-0
22	d29	d28	
23	d27	d26	
24	d25	d24	
25	d23	d22	
26	d21	d20	
27	d19	d18	
28	d17	d16	
29	d15	d14	
30	d13	d12	
31	d11	d10	
32	d09	d08	
33	d07	d06	
34	d05	d04	
35	d03	d02	
36	d01	d00	
37	S	S	Data Status: 00 = valid, 11 = invalid
38	C	C	Check Sum for data d31-d00
39	1	1	Idle

**NOTE:** Cycle 21 through 36 contain the remote register data. The status information in cycle 37 specifies if the data is good or not. Remote read cycle is always successful (although the data may be valid or invalid) in that it is never retried. The reason for this is that Remote Read is a debug feature, and a "hung" remote APIC that is unable to respond should not cause the debugger to hang.

## 5.9 Serial Interrupt (D31:F0)

The ICH supports a serial IRQ scheme. This allows a single signal to be used to report interrupt requests. The signal used to transmit this information is shared between the host, the ICH, and all peripherals that support serial interrupts. The signal line, SERIRQ, is synchronous to PCI clock, and follows the sustained tri-state protocol that is used by all PCI signals. This means that if a device has driven SERIRQ low, it first drives it high synchronous to PCI clock and releases it the following PCI clock. The serial IRQ protocol defines this sustained tri-state signaling in the following fashion:

- **S - Sample Phase.** Signal driven low
- **R - Recovery Phase.** Signal driven high
- **T - Turn-around Phase.** Signal released

The ICH supports a message for 21 serial interrupts. These represent the 15 ISA interrupts (IRQ[0,1, 2:15]), the four PCI interrupts, and the control signals SMI# and IOCHK#. The serial IRQ protocol does not support the additional APIC interrupts (20:23).

### 5.9.1 Start Frame

The serial IRQ protocol has two modes of operation which affect the start frame. These two modes are: Continuous, where the ICH is solely responsible for generating the start frame; and Quiet, where a serial IRQ peripheral is responsible for beginning the start frame.

The mode that must first be entered when enabling the serial IRQ protocol is continuous mode. In this mode, the ICH asserts the start frame. This start frame is 4, 6, or 8 PCI clocks wide based upon the Serial IRQ Control Register, bits 1:0 at 64h in Device 31:Function 0 configuration space. This is a polling mode.

When the serial IRQ stream enters quiet mode (signaled in the Stop Frame), the SERIRQ line remains inactive and pulled up between the Stop and Start Frame until a peripheral drives the SERIRQ signal low. The ICH senses the line low and continues to drive it low for the remainder of the Start Frame. Since the first PCI clock of the start frame was driven by the peripheral in this mode, the ICH drives the SERIRQ line low for 1 PCI clock less than in continuous mode. This mode of operation allows for a quiet, and therefore lower power, operation.

### 5.9.2 Data Frames

Once the Start frame has been initiated, all of the SERIRQ peripherals must start counting frames based on the rising edge of SERIRQ. Each of the IRQ/DATA frames has exactly 3 phases of 1 clock each:

- **Sample Phase.** During this phase, the SERIRQ device drives SERIRQ low if the corresponding interrupt signal is low. If the corresponding interrupt is high, then the SERIRQ devices tri-state the SERIRQ signal. The SERIRQ line remains high due to pull-up resistors.
- **Recovery Phase.** During this phase, the device drives the SERIRQ line high if in the Sample Phase it was driven low. If it was not driven in the sample phase, it is tri-stated in this phase.
- **Turn-around Phase.** The device tri-states the SERIRQ line

### 5.9.3 Stop Frame

After all data frames, a Stop Frame is driven by the ICH. The SERIRQ signal is driven low by the ICH for 2 or 3 PCI clocks. The number of clocks is determined by the SERIRQ configuration register. The number of clocks determines the next mode:

**Table 5-24. Stop Frame Explanation**

Stop Frame Width	Next Mode
2 PCI clocks	<b>Quiet Mode.</b> Any SERIRQ device may initiate a Start Frame
3 PCI clocks	<b>Continuous Mode.</b> Only the host (ICH) may initiate a Start Frame

### 5.9.4 Specific Interrupts not Supported via SERIRQ

There are three interrupts seen through the serial stream which are not supported by the ICH. These interrupts are generated internally, and are not sharable with other devices within the system. These interrupts are:

- IRQ0. Heartbeat interrupt generated off of the internal 8254 counter 0.
- IRQ8#. RTC interrupt can only be generated internally.
- IRQ13. Floating point error interrupt generated off of the processor assertion of FERR#.

The ICH ignores the state of these interrupts in the serial stream, and does not adjust their level based on the level seen in the serial stream. In addition, the interrupts IRQ14 and IRQ15 from the serial stream are treated differently than their ISA counterparts. These two frames are not passed to the Bus Master IDE logic. The Bus Master IDE logic expects IDE to be behind the ICH.



## 5.9.5 Data Frame Format

Table 5-25 shows the format of the data frames. For the PCI interrupts (A-D), the output from the ICH is ANDed with the PCI input signal. This way, the interrupt can be signaled via both the PCI interrupt input signal and via the SERIRQ signal (they are shared).

**Table 5-25. Data Frame Format**

Data Frame #	Interrupt	Clocks Past Start Frame	Comment
1	IRQ0	2	Ignored. IRQ0 can only be generated via the internal 8524
2	IRQ1	5	
3	SMI#	8	Causes SMI# if low. Sets SERIRQ_SMI_STS status bit.
4	IRQ3	11	
5	IRQ4	14	
6	IRQ5	17	
7	IRQ6	20	
8	IRQ7	23	
9	IRQ8	26	Ignored. IRQ8# can only be generated internally or on ISA.
10	IRQ9	29	
11	IRQ10	32	
12	IRQ11	35	
13	IRQ12	38	
14	IRQ13	41	Ignored. IRQ13 can only be generated from FERR#
15	IRQ14	44	Do not include in BM IDE interrupt logic
16	IRQ15	47	Do not include in BM IDE interrupt logic
17	IOCHCK#	50	Same as ISA IOCHCK# going active.
18	PCI INTA#	53	Drive PIRQA#
19	PCI INTB#	56	Drive PIRQB#
20	PCI INTC#	59	Drive PIRQC#
21	PCI INTD#	62	Drive PIRQD#

## 5.10 Real Time Clock (D31:F0)

The Real Time Clock (RTC) module provides a battery backed-up date and time keeping device with two banks of static RAM with 128 bytes each, although the first bank has 114 bytes for general purpose usage. Three interrupt features are available: time of day alarm with once a second to once a month range, periodic rates of 122us to 500ms, and end of update cycle notification. Seconds, minutes, hours, days, day of week, month, and year are counted. Daylight savings compensation is optional. The hour is represented in twelve or twenty-four hour format, and data can be represented in BCD or binary format. The design is meant to be functionally compatible with the Motorola MS146818B. The time keeping comes from a 32.768 kHz oscillating source, which is divided to achieve an update every second. The lower 14 bytes on the lower RAM block has very specific functions. The first ten are for time and date information. The next four (0Ah to 0Dh) are registers, which configure and report RTC functions.

The time and calendar data should match the data mode (BCD or binary) and hour mode (12 or 24 hour) as selected in register B. It is up to the programmer to make sure that data stored in these locations is within the reasonable values ranges and represents a possible date and time. The exception to these ranges is to store a value of C0 - FF in the Alarm bytes to indicate a don't care situation. All Alarm conditions must match to trigger an Alarm Flag, which could trigger an Alarm Interrupt if enabled. The SET bit of register B should be one while programming these locations to avoid clashes with an update cycle. Access to time and date information is done through the RAM locations. If a RAM read from the ten time and date bytes is attempted during an update cycle, the value read does not necessarily represent the true contents of those locations. Any RAM writes under the same conditions are ignored.

**Note:** The ICH supports the ability to generate an SMI# based on Year 2000 rollover. See [Section 5.10.4](#) for more information on the century rollover.

The ICH does not implement month/year alarms.

### 5.10.1 Update Cycles

An update cycle occurs once a second, if the SET bit of register B is not asserted and the divide chain is properly configured. During this procedure, the stored time and date are incremented, overflow checked, a matching alarm condition checked, and the time and date rewritten to the RAM locations. To maintain compatibility with the Motorola MS146818B, the update cycle starts at least 244 us after the UIP bit of register A is asserted, and the entire cycle does not take more than 1984 us to complete. The time and date RAM locations (0-9) will be disconnected from the external bus during this time.

To avoid update and data corruption conditions, external RAM access to these locations can safely occur at two times. When a updated-ended interrupt is detected, almost 999 ms is available to read and write the valid time and date data. If the UIP bit of Register A is detected to be low, there is at least 244 us before the update cycle begins.

**Warning:** The overflow conditions for leap years and daylight savings adjustments are based on more than one date or time item. To ensure proper operation when adjusting the time, the new time and data values should be set at least two seconds before one of these conditions (leap year, daylight savings time adjustments) occurs.

## 5.10.2 Interrupts

The real-time clock interrupt is internally routed within the ICH both to the I/O APIC and the 8259. It is mapped to interrupt vector 8. This interrupt does not leave the ICH, nor is it shared with any other interrupt. IRQ8# from the SERIRQ stream is ignored.

## 5.10.3 Lockable RAM Ranges

The RTC's battery-backed RAM supports two 8-byte ranges that can be locked via the configuration space. If the locking bits are set, the corresponding range in the RAM is not readable or writable. A write cycle to those locations have no effect. A read cycle to those locations does not return the location's actual value (may be all 0's or all 1's).

Once a range is locked, the range can be unlocked only by a hard reset, which invokes the BIOS and allows it to relock the RAM range.

## 5.10.4 Century Rollover

The ICH detects a rollover when the Year byte (RTC I/O space, index offset 09h) transitions from 99 to 00. Upon detecting the rollover, the ICH sets the NEWCENTURY\_STS bit (TCOBASE + 04h, bit 7). If the system is in an S0 state, this causes an SMI#. The SMI# handler can update registers in the RTC RAM that are associated with century value. If the system is in a sleep state (S1-S5) when the century rollover occurs, the ICH also sets the NEWCENTURY\_STS bit, but no SMI# is generated. When the system resumes from the sleep state, BIOS should check the NEWCENTURY\_STS bit and update the century value in the RTC RAM.

## 5.10.5 Clearing Battery-Backed RTC RAM

Clearing CMOS RAM in an ICH-based platform can be done by using a jumper on RTCRST# or GPI, or using SAFEMODE strap. Implementations should not attempt to clear CMOS by using a jumper to pull VccRTC low.

### Using RTCRST# to clear CMOS

A jumper on RTCRST# can be used to clear CMOS values, as well as reset to default, the state of those configuration bits that reside in the RTC power well. When the RTCRST# is strapped to ground, the RTC\_PWR\_STS bit (D31:F0:A4h bit 2) is set and those configuration bits in the RTC power well are set to their default state. BIOS can monitor the state of this bit, and manually clear the RTC CMOS array once the system is booted. The normal position would cause RTCRST# to be pulled up through a weak pull-up resistor. The following table shows which bits are set to their default state when RTCRST# is asserted

**Table 5-26. Configuration Bits Reset By RTCRST# Assertion**

Bit Name	Default State	Register	Location	Bit(s)
CPU_BIST_EN (ICH 82801AA only)	0	General Status	D31:F0:D7-D4	12
FREQ_STRAP[3:0]	0Fh	General Status	D31:F0:D7-D4	11:8
	undefined	RTC Register A	I/O space	ALL
PIE, UIE, SQWE	0, 0, 0	RTC Register B	I/O space	6,4,3
IRQF, PF, AF, UF	0, 0, undef, 0	RTC Register C	I/O space	7,6,5,4
VRT, Date Alarm	1, undefined	RTC Register D	I/O space	7, 5:0
RTC_PWR_STS	0	General PM Configuration 3	D31:F0:A4	2
PWR_FLR	0	General PM Configuration 3	D31:F0:A4	1
AFTERG3_EN	0	General PM Configuration 3	D31:F0:A4	0
PRBTNOR_STS	0	Power Management 1 Status	D31:F0 PMBase+0h	11
PME_EN, RI_STS	0, 0	General Purpose Event 0 Enable	D31:F0 PMBase+2Ah	11,8
NEW_CENTURY_STS	0	TCO1 Status	D31:F0 TCOBase+04h	7
INTRD_DET	0	TCO2 Status	D31:F0 TCOBase+06h	0

### Using a GPI to Clear CMOS

A jumper on a GPI can also be used to clear CMOS values. BIOS would detect the setting of this GPI on system boot-up, and manually clear the CMOS array.

### Using the SAFEMODE Strap to Clear CMOS

A jumper on AC\_SDOOUT (SAFEMODE strap) can also be used to clear CMOS values. BIOS would detect the setting of the SAFE\_MODE status bit (D31:F0: Offset D4h bit 2) on system boot-up, and manually clear the CMOS array.

**Note:** Both the GPI & SAFEMODE strap techniques to clear CMOS require multiple steps to implement. The system is booted with the jumper in new position, then powered back down. The jumper is replaced back to the normal position, then the system is rebooted again. The RTCRST# jumper technique allows the jumper to be moved and then replaced, all while the system is powered off. Then, once booted, the RTC\_PWR\_STS can be detected in the set state.

**Note:** Clearing CMOS, using a jumper on VCCRTC, must NOT be implemented.

## 5.11 Processor Interface (D31:F0)

The ICH has the following outputs to the processor:

- A20M#, SMI#, NMI, INIT#, INTR, STPCLK#, IGNNE#, CPUSLP#

The ICH outputs to the processor use open drain buffers, which are pulled up at the system level to the processor CMOS I/O buffer voltage. The ICH contains one input from the processor, FERR#, which has special buffer requirements for the different voltage levels. The  $V_{il}$  threshold needs to be compatible with processors that do not drive the signal above 1.8V.

The ICH also handles the speed setting for the processor by holding specific signals at certain states just prior to CPURST going inactive. This avoids the glue often required with other PCIsets. The ICH does not attempt to support the processor's FRC mode, as this changes the behavior of many signals.

### 5.11.1 Processor Interface Signals

This section describes each of the signals that interface between the ICH and the processor bus. Note that the behavior of some signals may vary during processor reset, as the signals are used for frequency strapping.

#### A20M#

The A20M# signal is active (low) when both of the following conditions are true:

- The ALT\_A20\_GATE bit (Bit 1 of PORT92 register) is a '0'
- The A20GATE input signal is a '0'

The A20GATE input signal is expected to be generated by the external microcontroller (KBC).

#### INIT#

The INIT# signal is active (driven low) based on any one of several events described in [Table 5-27](#). When any of these events occur, INIT# is driven low for 16 PCI clocks, then released (and pulled high by external pull-up resistor).

**Note:** The 16-clock counter for INIT# assertion halts while STPCLK# is active. Therefore, if INIT# is supposed to go active while STPCLK# is asserted, it actually goes active after STPCLK# goes inactive.

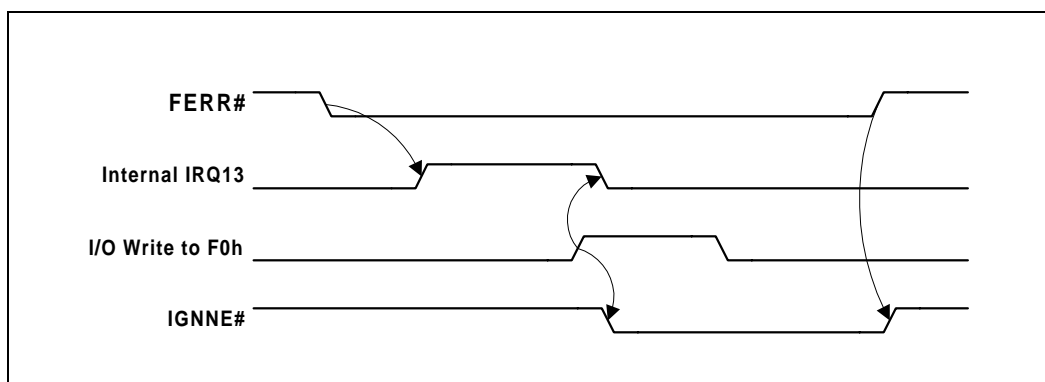
**Table 5-27. INIT# Going Active**

Cause of INIT# Going Active	Comment
Shutdown special cycle from processor.	
PORT92 write, where INIT_NOW (bit 0) transitions from a 0 to a 1.	
PORTCF9 write, where RST_CPU (bit 2) was a 0 and SYS_RST(bit 1) transitions from 0 to 1.	
RCIN# input signal goes low. RCIN# is expected to be driven by the external microcontroller (KBC).	0 to 1 transition on RCIN# must occur before the ICH arms INIT# to be generated again.
Processor BIST (ICH: 82801AA only)	To enter BIST, the software sets CPU_BIST_EN bit and then does a full processor reset using the CF9 register.

**FERR#/IGNNE# (Coprocessor Error)**

The ICH supports the coprocessor error function with the FERR#/IGNNE# pins. The function is enabled via the COPROC\_ERR\_EN bit (Device 31:Function 0, Offset D0, bit 13). FERR# is tied directly to the Coprocessor Error signal of the processor. If FERR# is driven active by the processor, IRQ13 goes active (internally). When it detects a write to the COPROC\_ERR register, the ICH negates the internal IRQ13 and drives IGNNE# active. IGNNE# remains active until FERR# is driven inactive. IGNNE# is never driven active unless FERR# is active.

**Figure 5-10. Coprocessor Error Timing Diagram**



If COPROC\_ERR\_EN is not set, then the assertion of FERR# will have not generate an internal IRQ13, nor will the write to F0h generate IGNNE#.

**NMI**

Non-Maskable Interrupts (NMIs) can be generated by several sources.

**Table 5-28. NMI Sources**

Cause of NMI	Comment
SERR# goes active (either internally, externally via SERR# signal, or via message from the host controller)	Can instead be routed to generate an SCI, through the NMI2SCI_EN bit (Device 31:Function 0, offset 4E, bit 11).
IOCHK# goes active via SERIRQ# stream (ISA system Error)	Can instead be routed to generate an SCI, through the NMI2SCI_EN bit (Device 31:Function 0, offset 4E, bit 11).

## STPCLK# and CPUSLP# Signals

The ICH power management logic controls these active-low open-drain signals. Refer to Section 5.12 for more information on the functionality of these signals.

## 5.11.2 Dual Processor Issues (ICH: 82801AA only)

### 5.11.2.1 Signal Differences (ICH: 82801AA only)

In dual processor designs, some of the processor signals are unused or used differently than for uniprocessor designs.

**Table 5-29. DP Signal Differences**

Signal	Difference
A20M# / A20GATE	Generally not used, but still supported by ICH.
STPCLK#	Used for S1 State as well as preparation for entry to S3-S5 Also allows for THERM# based throttling (not via ACPI control methods). Should be connected to both processors.
FERR# / IGNNE#	Generally not used, but still supported by ICH.

### 5.11.2.2 Power Management (ICH: 82801AA only)

Attempting clock control with more than one processor is not feasible, because the MCH does not provide any indication as to which processor is executing a particular Stop-Grant cycle. Without this information, there is no way for the 82801AA ICH to know when it is safe to deassert STPCLK#.

Because the S1 state will have the STPCLK# signal active, the STPCLK# signal can be connected to both processors. However, for ACPI implementations, the ICH will not support the C2 state for both processors, since there are not two processor control blocks. The BIOS must indicate that the ICH only supports the C1 state for dual processor designs. However, the THRM# signal can be used for overheat conditions to activate thermal throttling.

When entering S1, the ICH asserts STPCLK# to both processors. The ICH will then wait 8 PCI clocks after receipt of the first Stop-Grant Acknowledge cycle before asserting CPUSLP# (if the SLP\_EN bit is set to 1).

Both processors must immediately respond to the STPCLK# assertion with stop grant acknowledge cycles before the ICH asserts CPUSLP# in order to meet the processor setup time for CPUSLP#. Meeting the processor setup time for CPUSLP# is not an issue if both processors are idle when the system is entering S1. If you cannot guarantee that both processors will be idle, do not enable the SLP\_EN bit. Note that setting SLP\_EN to 1 is not required to support S1 in a dual processor configuration.

S2 is not supported for single or dual processor desktop designs.

In going to the S3, S4, or S5 states, the system will appear to pass through the S1 state, and thus STPCLK# and SLP# are also used.

During the S3, S4, and S5 states, both processors will lose power. Upon exit from those states, the processors will have their power restored.

### 5.11.3 Speed Strapping for Processor

The ICH directly sets the speed straps for the processor, saving the external logic that has been needed with prior PCIsets. Refer to processor specification for speed strapping definition.

The ICH performs the following to set the speed straps for the processor:

1. While PCIRST# is active, the ICH drives A20M#, IGNNE#, NMI, and INTR high.
2. As soon as PWROK goes active, the ICH reads the `FREQ_STRAP` field contents.
3. The next step depends on the power state being exited as described in [Table 5-30](#).

**Table 5-30. Frequency Strap Behavior Based on Exit State**

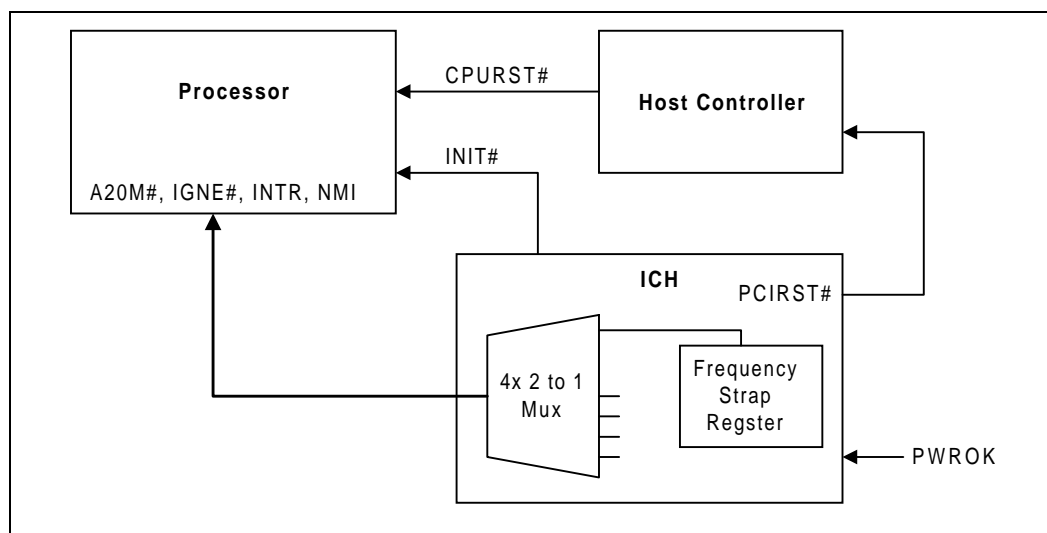
State Exiting	ICH
S1	There is no processor reset; Thus, there is no frequency strap logic is used.
S3, S4, S5, or G3	Based on PWROK going active, the ICH deasserts PCIRST#, and based on the value of the <code>FREQ_STRAP</code> field (D31:F0, Offset D4), the ICH drives the intended core frequency values on A20M#, IGNNE#, NMI, and INTR. The ICH holds these signals for 120ns after CPURST# is deasserted by the host controller.

**Table 5-31. Frequency Strap Bit Mapping**

FREQ_STRAP bits [3:0]	Sets High/Low level for corresponding signal
3	NMI
2	INTR
1	IGNNE#
0	A20M#

**NOTE:** The `FREQ_STRAP` register is in the RTC well. The value in the register can be forced to 1111h via a pinstrap (`AC_SDOUT` signal), or the ICH can automatically force the speed strapping to 1111h if the processor fails to boot.

**Figure 5-11. ICH Signal Strapping**





## 5.12 Power Management (D31:F0)

### 5.12.1 ICH and System Power States

Table 5-32 shows the power states defined for ICH-based platforms. The state names generally match the corresponding ACPI states.

**Table 5-32. General Power States for Systems using ICH**

State/ Substates	Legacy Name / Description
G0/S0/C0	<b>Full On:</b> Processor operating. Individual devices may be shut down to save power. The different processor operating levels are defined by Cx states, as shown in Table 5-33. Within the C0 state, the ICH can throttle the STPCLK# signal to reduce power consumption. The throttling can be initiated by software or by the THRM# input signal.
G0/S0/C1	<b>Auto-Halt:</b> Processor has executed a AutoHalt instruction and is not executing code. The processor snoops the bus and maintains cache coherency.
G0/S0/C2	<b>Stop-Grant:</b> The STPCLK# signal goes active to the processor. The processor performs a Stop-Grant cycle, halts its instruction stream, and remain in that state until the STPCLK# signal goes inactive. In the Stop-Grant state, the processor snoops the bus and maintains cache coherency.
G1/S1	<b>Stop-Grant:</b> Similar to G0/S0/C2 state. ICH also has the option to assert the processor SLP# signal to further reduce processor power consumption.
G1/S3	<b>Suspend-To-RAM (STR):</b> The system context is maintained in system DRAM, but power is shut off to non-critical circuits. Memory is retained, and refreshes continue. All clocks stop except RTC clock.
G1/S4	<b>Suspend-To-Disk (STD):</b> The context of the system is maintained on the disk. All power is then shut off to the system except for the logic required to resume. Externally appears same as S5, but may have different wake events.
G2/S5	<b>Soft Off (SOFF):</b> System context is not maintained. All power is shut off except for the logic required to restart. A full boot is required when waking.
G3	<b>Mechanical OFF (MOFF):</b> System context not maintained. All power is shut off except for the RTC. No "Wake" events are possible, because the system does not have any power. This state occurs if the user removes the batteries, turns off a mechanical switch, or if the system power supply is at a level that is insufficient to power the "waking" logic. When system power returns, transition depends on the state just prior to the entry to G3 and the AFTERG3 bit in the GEN_PMCN3 register (D31:F0, offset A4). Refer to Table 5-41 for more details.

Table 5-33 shows the transitions rules among the various states. Note that transitions among the various states may appear to temporarily transition through intermediate states. For example, in going from S0 to S1, it may appear to pass through the G0/S0/C2 states. These intermediate transitions and states are not listed in the table.

Table 5-33. State Transition Rules for ICH

Present State	Transition Trigger	Next State
G0/S0/C0	<ul style="list-style-type: none"> <li>Processor halt instruction</li> <li>Level 2 Read</li> <li>SLP_EN bit set</li> <li>Power Button Override</li> <li>Mechanical Off/Power Failure</li> </ul>	<ul style="list-style-type: none"> <li>G0/S0/C1</li> <li>G0/S0/C2</li> <li>G1/Sx or G2/S5state</li> <li>G2/S5</li> <li>G3</li> </ul>
G0/S0/C1	<ul style="list-style-type: none"> <li>Any Enabled Break Event</li> <li>STPCLK# goes active</li> <li>Power Button Override</li> <li>Power Failure</li> </ul>	<ul style="list-style-type: none"> <li>G0/S0/C0</li> <li>G0/S0/C2</li> <li>G2/S5</li> <li>G3</li> </ul>
G0/S0/C2	<ul style="list-style-type: none"> <li>Any Enabled Break Event</li> <li>STPCLK# goes inactive and previously in C1</li> <li>Power Button Override</li> <li>Power Failure</li> </ul>	<ul style="list-style-type: none"> <li>G0/S0/C0</li> <li>G0/S0/C1</li> <li>G2/S5</li> <li>G3</li> </ul>
G1/S1, G1/S3, or G1/S4	<ul style="list-style-type: none"> <li>Any Enabled Wake Event</li> <li>Power Button Override</li> <li>Power Failure</li> </ul>	<ul style="list-style-type: none"> <li>G0/S0/C0</li> <li>G2/S5</li> <li>G3</li> </ul>
G2/S5	<ul style="list-style-type: none"> <li>Any Enabled Wake Event</li> <li>Power Failure</li> </ul>	<ul style="list-style-type: none"> <li>G0/S0/C0</li> <li>G3</li> </ul>
G3	<ul style="list-style-type: none"> <li>Power Returns</li> </ul>	<ul style="list-style-type: none"> <li>Optional to go to S0/C0 (reboot) or G2/S5 (stay off until power button pressed). (See Note 1)</li> </ul>

**NOTE:** Some wake events can be preserved through power failure.

## 5.12.2 System Power Planes

The system has several independent power planes, as described in Table 5-34. Note that when a particular power plane is shut off, it should go to a 0V level.

Table 5-34. System Power Plane

Plane	Controlled By	Description
MAIN	SLP_S3# signal	When SLP_S3# goes active, power can be shut off to any circuit not required to wake the system from the S3 state. Since the S3 state requires that the memory context be preserved, power must be retained to the main memory. Devices on the PCI bus, LPC interface downstream Hub Interface (and AGP for the ICH 82801AA) is, typically, shut off when the Main power plane is shut; there may be small subsections powered.
MEMORY	SLP_S5# signal	When the SLP_S5# goes active, power can be shut off to any circuit not required to wake the system from the S4 or S5 state. Since the memory context does not need to be preserved in the S5 state, the power to the memory can also be shut down.
DEVICE[n]	GPIO	Individual subsystems may have their own power plane. For example, GPIO signals may be used to control the power to disk drives, audio amplifiers, or the display screen.

### 5.12.3 SMI#/SCI Generation

Upon any SMI# event taking place, the ICH asserts SMI# to the processor, which causes it to enter SMM space. SMI# remains active until the EOS bit is set. When the EOS bit is set, SMI# goes inactive for a minimum of 4 PCICLK. If another SMI event occurs, SMI# is driven active again.

The SCI is a level-mode interrupt that is typically handled by an ACPI-aware operating system. In non-APIC systems (which is the default), the SCI IRQ is routed to one of the 8259 interrupts (IRQ 9, 10, or 11). The 8259 interrupt controller must be programmed to level mode for that interrupt.

In systems using the APIC, the SCI can still be routed to IRQ 9, 10, or 11, or it can be instead routed to one of the APIC interrupts 20:23. In either case, the interrupt generated internally is active low level. The interrupt remains low until all SCI sources are removed.

Table 5-35 shows which events can cause an SMI# and SCI. Note that some events can be programmed to cause either an SMI# or SCI. The usage of the event for SCI (instead of SMI#) is typically associated with an ACPI-based system. Each SMI# or SCI source has a corresponding enable and status bit.

**Table 5-35. Causes of SMI# and/or SCI**

Event	SCI	SMI#	Comment
Setting of the BIOS_STS bit		X	ACPI code in OS sets GBL_RLS bit to cause BIOS_STS bit active, which causes SMI#.
Setting of the LEGACY_USB_STS bit		X	Bit set based on address decode or incoming USB IRQ.
Write access to APM control register		X	OS or BIOS writes to the APMC register. SMM handler clears.
SW SMI# Timer reaches 0		X	Allows SMM handler to exit temporarily. Another SMI# occurs about 64 ms later.
Device Trap		X	Indicates that subsystems may need to be powered back on.
TCO Event (Includes SERR#)	X	X	Can also cause IRQ (other than SCI).
Setting bits in GPE Status Register with corresponding Enable bit set.	X	X	Bits in GPE Status Register include SMBus, TCO, AC97, RI, PME, USB, THRM and GPIO[n].
Setting of the GBL_STS bit	X		This bit is set when the BIOS sets the BIOS_RLS bit. The ACPI handler will clear the bit.
Setting any bit in the PM1_STS register with corresponding _EN bit set in the PM1_EN bit.	X	X	The SCI/SMI# should be generated, even if waking.
GPIO[n]	X	X	If GPIO programmed as input and individually enabled, Can be Wake event.
Overflow of Power Management Timer	X	X	Time-out every 2.34 seconds. If the timer is enabled, will cause a) an SCI, if SCI_EN is set, or b) an SMI#, if SCI_EN is not set.
THRM# signal	X	X	The THRM# can cause an SMI# or SCI on either the rising or falling edge. Causes SCI, if SCI_EN is set; causes SMI#, if SCI_EN not set.
PWRBTN signal	X	X	Can also cause Wake Event
PCI PME# signal	X	X	Can also cause Wake Event
Year 2000 Rollover		X	Does not cause a Wake Event

## 5.12.4 Dynamic System Clock Control

The ICH has extensive control for dynamically starting and stopping system clocks. The clock control is used for transitions among the various S0/Cx states, and processor throttling. Each dynamic clock control method is described in this section. The various Sleep states may also perform types of non-dynamic clock control.

The ICH supports the ACPI C0, C1, C2 states. The Dynamic Clock control is handled using the STPCLK# to halt processor instruction stream. A C2 state ends due to a Break event. Based on the break event, the ICH returns the system to C0 state. [Table 5-36](#) lists the possible break events.

**Table 5-36. Break Events**

Event	Comment
Any unmasked interrupt goes active	IRQ[0:15] when using the 8259s, IRQ[0:23] for I/O APIC. Since SCL is an interrupt, any SCL is also a break event.
Any internal event that causes an NMI or SMI#	Many possible sources
Any internal event that causes INIT# to go active	Could be indicated by the keyboard controller via the RCIN input signal.

### 5.12.4.1 Entering/Exiting the C1 State

Causes of C1 Entry:

- **From C0 State:** Processor performs an Autohalt instruction.
- **From C2 State:** STPCLK# goes inactive and the processor had done an Autohalt instruction prior to STPCLK# going active, and no break event has occurred. The C1 state persists until an interrupt (regular interrupt, NMI, SMI#, or INIT#) occurs. This C1 state persists only for a few clocks, since the cause of STPCLK# going inactive is some type of interrupt.

Causes of Exit from C1

- **To C0 state:** When an enabled interrupt (regular interrupt, NMI, SMI#, or INIT#) occurs.
- **To C2 state:** STPCLK# goes active. This causes a transition to the C2 state. This case can only occur if the processor reads the Level 2 register (forcing a transition to C2 state) and the processor does an autohalt instruction before it recognizes STPCLK# active.

### 5.12.4.2 Entering/Exiting the C2 State

Causes of S0/C2 Entry:

- **From C0 state:** Software reads the Level 2 Register
- **From C1 state:** STPCLK# goes active. This can only occur if the processor does an autohalt instruction just after reading the Level 2 register (so that the autohalt instruction completes prior to the processor recognizing the STPCLK#).

Note that in going to some of the lower power states, the system may appear to pass through the C2 state.

Causes of S0/C2 Exit:

- **To C0 state:** A Break event occurs. The transition back to the C0 state is qualified by the Stop-Grant cycle being observed by the ICH. If the break event occurs prior to the Stop-Grant cycle (associated with the prior assertion of STPCLK#), STPCLK# stays active until the Stop-Grant cycle is observed.
- **To C1 state:** If STPCLK# goes inactive. The C1 state persists until an interrupt (regular interrupt, NMI, SMI#, or INIT#) occurs.

### 5.12.4.3 Throttling Using STPCLK#

Throttling is used to lower power consumption or reduce heat. The ICH asserts STPCLK# to throttle the processor clock and the processor appears to temporarily enter a C2 state. After a programmable time, the ICH deasserts STPCLK# and the processor appears to return to the C0 state. This allows the processor to operate at reduced average power, with a corresponding decrease in performance. Two methods are included to start throttling:

1. Software enables a timer with a programmable duty cycle. The duty cycle is set by the THTL\_DTY field and the throttling is enabled using the THTL\_EN field. This is known as Manual Throttling. The period is fixed to be in the non-audible range, due to the nature of switching power supplies.
2. A Thermal Override condition (THRM# signal active for >2 seconds) occurs that unconditionally forces throttling, independent of the THTL\_EN bit. The throttling due to Thermal Override has a separate duty cycle (THRM\_DTY) which may vary by field and system. The Thermal Override condition ends when THRM# goes inactive.

Throttling due to the THRM# signal has higher priority than the software initiated throttling. Throttling does not occur when the system is in C2 state, even if Thermal override occurs.

#### 5.12.4.4 Transition Rules Among S0/Cx and Throttling States

The following priority rules and assumptions apply among the various S0/Cx and throttling states:

- Entry to any S0/Cx state is mutually exclusive with entry to any S1-S5 state. This is because the processor can only perform one register access at a time and Sleep states have higher priority than thermal throttling.
- When the SLP\_EN bit is set (system going to a sleep state (S1-S5), the THTL\_EN bit can be internally treated as being disabled (no throttling while going to sleep state). Note that thermal throttling (based on THRM# signal) cannot be disabled in an S0 state. However, once the SLP\_EN bit is set, the thermal throttling is shut off (since STPCLK# is active in S1-S5 states).
- If the THTL\_EN bit is set, and a Level 2 read then occurs, the system should immediately go and stay in a C2 state until a break event occurs. A Level 2 read has higher priority than the software initiated throttling or thermal throttling. If Thermal Override is causing throttling, and a Level 2 read then occurs, the system stays in a C2 state until a break event occurs. A Level 2 read has higher priority than the Thermal Override. However, if THRM# is still active after a break event occurs, the system goes back to the C0 state and STPCLK# throttles (due to the THRM# signal).
- After an exit from a C2 state (due to a Break event), and if the THTL\_EN bit is still set, or if a Thermal Override is still occurring, the system continues to throttle STPCLK#. Depending on the time of break event, the first transition on STPCLK# active can be delayed by up to one period.
- If in the C2 state after C1 (Halt), a break event returns the system to C1 state. If a break event was an interrupt, then the INTR is sent to the processor and system transitions from C1 to C0 state.

### 5.12.5 Sleep States

#### 5.12.5.1 Sleep State Overview

The ICH directly supports different sleep states (S1-S5), which are entered by setting the SLP\_EN bit, or due to a Power Button Override. The entry to the Sleep states are based on several assumptions:

- Entry to a Cx state is mutually exclusive with entry to a Sleep state. This is because the processor can only perform one register access at a time. A request to Sleep always has higher priority than throttling.
- Prior to setting the SLP\_EN bit, the software turns off processor-controlled throttling. Note that thermal throttling cannot be disabled, but setting the SLP\_EN bit disables thermal throttling (since S1-S5 sleep state has higher priority).
- Upon exit from the ICH-controlled Sleep states, the WAK\_STS bit is set to 1.

#### 5.12.5.2 Initiating Sleep State

Sleep states (S1-S5) are initiated by:

- Setting the desired type in the SLP\_TYP field and setting the SLP\_EN bit.
- Pressing the PWRBTN# Signal for more than 4 seconds to cause a Power Button Override event.

In case of the PWRBTN# override event, the transition to the S5 is less graceful, since there are no dependencies on observing Stop-Grant cycles from the processor or on clocks other than the RTC clock.

Depending on the type of Sleep state desired, the next step the hardware takes is shown in [Table 5-37](#).

**Table 5-37. Sleep Types**

Sleep Type	Comment
S1	ICH asserts the processor SLP# signal. This lowers the processor's power consumption. No snooping is possible in this state.
S2	Not supported.
S3	ICH asserts SLP_S3#. The SLP_S3# signal controls the power to non-critical circuits. Power is only retained to devices needed to wake from this sleeping state, as well as to the memory.
S4	ICH asserts SLP_S3# and SLP_S5#. The SLP_S5# shuts off the power to the memory subsystem. Only devices needed to wake from this state should be powered.
S5	Same as S4. ICH asserts SLP_S3# and SLP_S5#. The SLP_S5# signal shuts off the power to the memory subsystem. Only devices needed to wake from this state should be powered.

### 5.12.5.3 Exiting Sleep States

Sleep states (S1-S5) are exited based on Wake events. The Wake events force the system to a full on state (S0), although some non-critical subsystems will still be shut off and have to be brought back manually. For example, the hard disk may be shut off during a sleep state and have to be enabled via a GPIO pin before it can be used.

To enable Wake Events, the possible causes of wake events (and their restrictions) are shown in [Table 5-38](#).

**Table 5-38. Causes of Wake Events**

Cause	States Can Wake From	How Enabled
RTC Alarm	S1 - S5 (Note 2)	Set RTC_EN bit in PM1_EN Register
Power Button	S1 - S5 (Note 1)	Always enabled as Wake event
GPIO[0:n]	S1 - S5 (Note 2)	GPE1_EN register
USB	S1 - S4	Set USB_EN bit in GPE0_EN Register
RI#	S1 - S5 (Note 2)	Set RI_EN bit in GPE0_EN Register
AC97	S1 - S4	Set AC97_EN bit in GPE0_EN Register
PME#	S1 - S5 (Note 2)	Set PME_EN bit in GPE0_EN Register.
SMBALERT#	S1-S4	SMB_WAK_EN in the GPE0 Register

**NOTES:**

1. If in the S5 state due to a powerbutton override, the only wake event is power button.
2. This is a wake event from S5 only if the sleep state was entered by setting the SLP\_EN and SLP\_TYP bits via software.

It is important to understand that the various GPIs have different levels of functionality when used as wake events. The GPIs that reside in the core power well can only generate wake events from an S1 state. Also only certain GPIs are “ACPI Compliant,” meaning that their Status and Enable bits reside in ACPI I/O space. [Table 5-39](#) summarizes the use of GPIs as wake events.

**Table 5-39. GPI Wake Events**

GPI	Power Well	Wake From	Notes
GPI[1:0], GPI[7:5]	Core	S1	
GPI[13:8]	Resume	S1-S5	ACPI Compliant
GPIO[28:27]	Resume	S1-S5	

The latency to exit the various Sleep states varies greatly and is heavily dependent on power supply design. Approximations are shown in [Table 5-40](#). The time indicates from when the Wake event occurs (signal transition) to when the processor is allowed to start its first cycle (CPURST# goes inactive). There are very large additional delays for the processor to execute sufficient amounts of BIOS to invoke the OS (such as coming out of S1-S3) or spinning up the hard drive (such as coming out of S4 or S5).

**Table 5-40. Sleep State Exit Latencies**

State	Latency
S1	<1 ms. Based on wake event to STPCLK# high + re-enumeration of PCI bus, USB, CardBus, etc. Must also add PLL spin-up times
S3	Power Supply ramp + 20 ms
S4	Power Supply ramp + 20 ms
S5	Power Supply ramp + 20 ms

#### 5.12.5.4 Sx-G3-Sx, Handling Power Failures

Power failures can occur if the AC power is cut (a real power failure) or if the system is unplugged. Depending on when the power failure occurs and how the system is designed, different transitions could occur due to a power failure.

The AFTER\_G3 bit provides the ability to program whether or not the system should boot once power returns after a power loss event. If the policy is to not boot, the system remains in an S5 state (unless previously in S4). There are only three possible events that wake the system after a power failure.

1. PWRBTN#: PWRBTN# is always enabled as a wake event. When RSMRST# is low (G3 state), the PWRBTN\_STS bit is reset. When the ICH exits G3 after power returns (RSMRST# goes high), the PWRBTN# signal is already high (because Vcc-standby goes high before RSMRST# goes high) and the PWRBTN\_STS bit is 0.
2. RI#: RI# does not have an internal pull-up. This signal should be pulled-up to the suspend well supply. After recovery from a power failure, the ICH samples RI# after RSMRST# is sampled deasserted. At that time, RI# will be high (deasserted). The bit that enables RI# as a wake event is preserved across power failures in the RTC Well supply.
3. RTC Alarm. The RTC\_EN bit is in the RTC well and is preserved after a power loss. Like PWRBTN\_STS the RTC\_STS bit is cleared when RSMRST# goes low.



The ICH monitors both PWROK and RSMRST# to detect for power failures. If PWROK goes low, the PWROK\_FLR bit is set. If RSMRST# goes low, PWR\_FLR is set.

**Note:** Although PME\_EN is in the RTC well, this signal cannot wake the system after a power loss. PME\_EN and PME\_STS bits are cleared by RSMRST#

**Table 5-41. Transitions Due To Power Failure**

State at Power Failure	AFTERG3_EN bit	Transition When Power Returns
S0	1	S5
	0	S0
S1	1	S5
	0	S0
S3	1	S5
	0	S0
S4	1	S4
	0	S0
S5	1	S5
	0	S0

## 5.12.6 Thermal Management

The ICH has mechanisms to assist with managing thermal problems in the system.

### 5.12.6.1 THRM# Signal

The THRM# signal is used as a status input for a thermal sensor. Based on the THRM# signal going active, the ICH generates an SMI# or SCI (depending on SCI\_EN).

If the THRM\_POL bit is cleared to “0”, when the THRM# signal goes low, the THRM\_STS bit is set to “1”. This is an indicator that the thermal threshold has been exceeded. If the THRM\_EN bit is set, then when THRM\_STS goes active, either an SMI# or SCI is generated (depending on the SCI\_EN bit being set).

The power management software (BIOS or ACPI) can then take measures to start reducing the temperature. Examples include shutting off unwanted subsystems, or halting the processor.

By setting the THRM\_POL bit to high, another SMI# or SCI can optionally be generated when the THRM# signal goes back low. This allows the software (BIOS or ACPI) to turn off the cooling methods.

### 5.12.6.2 THRM# Initiated Passive Cooling

If the THRM# signal remains active for some time greater than 2 seconds and the ICH is in the S0/G0/C0 state, then the ICH enters an auto-throttling mode, in which it provides a duty cycle on the STPCLK# signal. This reduces the overall power consumption by the system, and should cool the system. The intended result of the cooling is that the THRM# signal should go back inactive.

For all programmed values (001 - 111), THRM# going active results in STPCLK# active for a minimum time of 12.5% and a maximum of 87.5%. The period is 1024 PCI clocks. Thus, the STPCLK# signal can be active for as little as 128 PCI clocks or as much as 896 PCI clocks. The

actual slowdown (and cooling) of the processor depends on the instruction stream, because the processor is allowed to finish the current instruction. Furthermore, the ICH waits for the STOP-GRANT cycle before starting the count of the time the STPCLK# signal is active.

When THRM# goes inactive, the throttling stops. However, there is a small window where the ICH may assert STPCLK# for one more throttling period after THERM# goes inactive.

In case that the ICH is already attempting throttling because the THTL\_EN bit is set, the duty cycle associated with the THRM# signal will have higher priority.

If the ICH is in the C2 or S1-S5 states, then no throttling will be caused by the THRM# signal being active.

### 5.12.6.3 Processor Initiated Passive Cooling (Via Programmed Duty Cycle on STPCLK#)

Using the THTL\_EN and THTL\_DTY bits, the ICH can force a programmed duty cycle on the STPCLK# signal. This reduces the effective instruction rate of the processor and cut its power consumption and heat generation.

### 5.12.6.4 Active Cooling

Active cooling involves fans. The GPIO signals from the ICH can be used to turn on/off a fan.

## 5.12.7 Event Input Signals and Their Usage

The ICH has various input signals that trigger specific events. This section describes these signals and how they should be used.

### 5.12.7.1 PWRBTN#—Power Button

The ICH PWRBTN# signal operates as a “Fixed Power Button” as described in the ACPI specification. PWRBTN# signal has a 16 ms debounce on the input. The state transition descriptions are included in [Table 5-42](#).

**Note:** The transitions start as soon as the PWRBTN# is pressed (but after the debounce logic) and does not depend on when the Power Button is released.

**Table 5-42. Transitions Due to Power Button**

Present State	Event	Transition/Action	Comment
S0/Cx	PWRBTN# goes low	SMI# or SCI generated (depending on SCI_EN)	Software will typically initiate a Sleep state.
S1-S5	PWRBTN# goes low	Wake Event. Transitions to S0 state.	Standard wakeup
G3	PWRBTN# pressed	None	No effect since no power. Not latched nor detected.
S0-S4	PWRBTN# held low for at least 4 consecutive seconds	Unconditional transition to S5 state.	No dependence on processor (such as Stop-Grant cycles) or any other subsystem.

**Power Button Override:** If PWRBTN# is observed active for at least 4 consecutive seconds, then the state machine unconditionally transitions to the G2/S5 state, regardless of present state (S0-S4). In this case, the transition to the G2/S5 state does not depend on any particular response from the processor (such as a Stop-Grant cycle), nor any similar dependency from any other subsystem.

The PWRBTN# status is readable to check if the button is currently being pressed or has been released. The status is taken after the debounce, and is readable via the PWRBTN\_LVL bit.

**Note:** The 4-second PWRBTN# assertion should only be used if a system lock-up has occurred. The 4-second timer starts counting when the ICH is in a S0 state. If the PWRBTN# signal is asserted and held active when the system is in a suspend state (S1-S5), the assertion causes a wake event. Once the system has resumed to the S0 state, the 4-second timer starts.

**Sleep Button:** The ACPI specification defines an optional Sleep button. It differs from the power button in that it only is a request to go from S0 to S1-S4 (not S5). Also, in an S5 state, the Power Button can wake the system, but the Sleep Button cannot.

Although the ICH does not include a specific signal designated as a Sleep Button, one of the GPIO signals can be used to create a “Control Method” Sleep Button. This requires some AML code to be developed. Example code is provided in the ACPI specification.

### 5.12.7.2 RI#—Ring Indicate

The Ring Indicator can cause a wake event (if enabled) from the S1-S5 states. [Table 5-43](#) shows when the wake event is generated or ignored in different states. If in the G0/S0/Cx states, the UART is configured to cause an interrupt based on RI# active, and the interrupt will be set up as a break event.

**Table 5-43. Transitions Due to RI# Signal**

Present State	Event	RI_EN	Event
S0	RI# Active	X	Ignored
S1-S5	RI# Active	0	Ignored
		1	Wake Event

Filtering/Debounce on RI# is not be done in ICH. This can be in the modem or external.

### 5.12.7.3 PME#—PCI Power Management Event

The PME# signal comes from a PCI device to request that the system be restarted. The PME# signal can generate an SMI#, SCI, or optionally a Wake event. The event occurs when the PME# signal goes from high to low. No event is caused when PME# goes from low to high.

## 5.12.8 Alt Access Mode

Before entering a low power state, several registers from powered down parts may need to be saved. In the majority of cases, this is not an issue, as registers have read and write paths. However, several of the ISA compatible registers are either read only or write only. To get data out of write-only registers, and to restore data into read-only registers, the ICH implements an alternate access mode.

### 5.12.8.1 Write Only Registers with Read Paths in Alternate Access Mode

The registers described in Table 5-44 have read paths in alternate access mode. The access number field in the table indicates which register will be returned per access to that port.

**Table 5-44. Write Only Registers with Read Paths in Alternate Access Mode (Sheet 1 of 2)**

I/O	# of	Restore Data		I/O	# of	Restore Data	
Addr	Rds	Access	Data	Addr	Rds	Access	Data
00h	2	1	DMA Chan 0 base address low byte	40h	7	1	Timer Counter 0 status, bits [5:0]
		2	DMA Chan 0 base address high byte			2	Timer Counter 0 base count low byte
01h	2	1	DMA Chan 0 base count low byte			3	Timer Counter 0 base count high byte
		2	DMA Chan 0 base count high byte			4	Timer Counter 1 base count low byte
02h	2	1	DMA Chan 1 base address low byte			5	Timer Counter 1 base count high byte
		2	DMA Chan 1 base address high byte			6	Timer Counter 2 base count low byte
03h	2	1	DMA Chan 1 base count low byte			7	Timer Counter 2 base count high byte
		2	DMA Chan 1 base count high byte	41h	1		Timer Counter 1 status, bits [5:0]
04h	2	1	DMA Chan 2 base address low byte	42h	1		Timer Counter 2 status, bits [5:0]
		2	DMA Chan 2 base address high byte	70h	1		Bit 7 = NMI Enable, Bits [6:0] = RTC Address
05h	2	1	DMA Chan 2 base count low byte	C4h	2	1	DMA Chan 5 base address low byte
		2	DMA Chan 2 base count high byte			2	DMA Chan 5 base address high byte
06h	2	1	DMA Chan 3 base address low byte	C6h	2	1	DMA Chan 5 base count low byte
		2	DMA Chan 3 base address high byte			2	DMA Chan 5 base count high byte
07h	2	1	DMA Chan 3 base count low byte	C8h	2	1	DMA Chan 6 base address low byte
		2	DMA Chan 3 base count high byte			2	DMA Chan 6 base address high byte
08h	6	1	DMA Chan 0-3 Command <sup>2</sup>	CAh	2	1	DMA Chan 6 base count low byte
		2	DMA Chan 0-3 Request			2	DMA Chan 6 base count high byte
		3	DMA Chan 0 Mode: Bits(1:0) = "00"	CCh	2	1	DMA Chan 7 base address low byte
		4	DMA Chan 1 Mode: Bits(1:0) = "01"			2	DMA Chan 7 base address high byte
		5	DMA Chan 2 Mode: Bits(1:0) = "10"	CEh	2	1	DMA Chan 7 base count low byte
		6	DMA Chan 3 Mode: Bits(1:0) = "11"			2	DMA Chan 7 base count high byte
20h	12	1	PIC ICW2 of Master controller	D0h	6	1	DMA Chan 4-7 Command <sup>2</sup>
		2	PIC ICW3 of Master controller			2	DMA Chan 4-7 Request

**Table 5-44. Write Only Registers with Read Paths in Alternate Access Mode (Sheet 2 of 2)**

I/O	# of	Restore Data		I/O	# of	Restore Data	
Addr	Rds	Access	Data	Addr	Rds	Access	Data
		3	PIC ICW4 of Master controller			3	DMA Chan 4 Mode: Bits(1:0) = "00"
		4	PIC OCW1 of Master controller <sup>1</sup>			4	DMA Chan 5 Mode: Bits(1:0) = "01"
		5	PIC OCW2 of Master controller			5	DMA Chan 6 Mode: Bits(1:0) = "10"
		6	PIC OCW3 of Master controller			6	DMA Chan 7 Mode: Bits(1:0) = "11".
		7	PIC ICW2 of Slave controller				
		8	PIC ICW3 of Slave controller				
		9	PIC ICW4 of Slave controller				
		10	PIC OCW1 of Slave controller <sup>1</sup>				
		11	PIC OCW2 of Slave controller				
		12	PIC OCW3 of Slave controller				

**NOTE:**

1. The OCW1 register must be read before entering Alternate Access Mode.
2. Bits 5, 3, 1, and 0 return 0.

### 5.12.8.2 PIC Reserved Bits

Many bits within the PIC are reserved, and must have certain values written for the PIC to operate properly. Therefore, there is no need to return these values in alternate access mode. When reading PIC registers from 20h and A0h, the reserved bits return the values listed in [Table 5-45](#).

**Table 5-45. PIC Reserved Bits Return Values**

PIC Reserved Bits	Value Returned
ICW2(2:0)	000
ICW4(7:5)	000
ICW4(3:2)	00
ICW4(0)	0
OCW2(4:3)	00
OCW3(7)	0
OCW3(5)	Reflects bit 6
OCW3(4:3)	01

### 5.12.8.3 Read Only Registers with Write Paths in Alternate Access Mode

The registers described in Table 5-46 have write paths to them in alternate access mode. Software restores these values after returning from a powered down state. These registers must be handled special by software. When in normal mode, writing to the base address/count register also writes to the current address/count register. Therefore, the base address/count must be written first, then the part is put into alternate access mode and the current address/count register is written.

**Table 5-46. Register Write Accesses in Alternate Access Mode**

I/O Address	Register Write Value
08h	DMA Status Register for channel's 0-3.
D0h	DMA Status Register for channel's 4-7.

## 5.12.9 System Power Supplies, Planes, and Signals

### Power Plane Control with SLP\_S3# and SLP\_S5#

The SLP\_S3# output signal can be used to cut power to the system core supply, since it only goes active for the STR state (typically mapped to ACPI S3). Power must be maintained to the ICH Resume Well, and to any other circuits that need to generate Wake signals from the STR state.

Cutting power to the core may be done via the power supply, or by external FETs to the motherboard. The SLP\_S5# output signal can be used to cut power to the system core supply, as well as power to the system memory, since the context of the system is saved on the disk. Cutting power to the memory may be done via the power supply, or by external FETs to the motherboard.

### PWROK Signal

The PWROK input should go active based on the core supply voltages becoming valid. PWROK should go high at least 16 ms after the power is guaranteed valid.

**Note:** Traditional designs have a reset button logically AND'd with the PWROK signal from the power supply and the processor's voltage regulator module. If this is done with the ICH, the PWROK\_FLR bit is set. The ICH treats this internally as if the RSMRST# signal had gone active. However, it is not treated as a full power failure. If PWROK goes inactive and then active (but RSMRST# stays high), the ICH will reboot (regardless of the state of the AFTERG3 bit). If the RSMRST# signal also goes low before PWROK goes high, this is a full power failure, and the reboot policy is controlled by the AFTERG3 bit.

## Controlling Leakage and Power Consumption During Low-Power States

To control leakage in the system, various signals tri-state or go low during some low-power states.

General principles:

- All signals going to powered down planes (either internally or externally) must be either tri-stated or driven low.
- Signals with pull-up resistors should not be low during low-power states. This is to avoid the power consumed in the pull-up resistor.
- Buses should be halted (and held) in a known state to avoid a floating input. (perhaps to some other device) Floating inputs can cause extra power consumption.

Based on the above principles, the following measures are taken:

- During C2 or S3state, the processor signals that have pull-ups are tri-stated.
- During S3, all signals attached to powered down planes are tri-stated or driven low.

### 5.12.10 Clock Generators

The clock generator is expected to provide the frequencies shown in [Table 5-47](#).

**Table 5-47. ICH Input Clocks**

Clock Name	Frequency	Event
CLK48	48.00000 MHz	This should be running in C0, C1, C2. Stops based on SLP_S3# being active.
CLK14	14.31818 MHz	This should be running in C0, C1, C2. Stop based on SLP_S3# being active.
CLK66	66.66667 MHz	This should be running in C0, C1, C2. Stops based on SLP_S3# being active.
APIC_CLK	16.67 MHz	This should be running in C0, C1, C2. Stops based on SLP_S3# being active.
PCICLK	33.33333 MHz	The PCI clock starts/ stops based on the S3, S4, or S5 states. The PCI clock is assumed always to be running in S0-S1 states.

### 5.12.11 Legacy Power Management Theory of Operation

Instead of relying on ACPI software, legacy power management uses BIOS and various hardware mechanisms. The ICH has a greatly simplified method for legacy power management compared with previous generations.

The scheme relies on the concept of detecting when individual subsystems are idle, detecting when the whole system is idle, and detecting accesses are attempted to idle subsystems.

However, the OS is assumed to be at least APM enabled. Without APM calls, there is no quick way to know when the system is idle between keystrokes. The ICH does not support the burst modes found in previous components.

#### APM Power Management

The ICH has a timer that, when enabled by the 1MIN\_EN bit in the SMI Control and Enable register, generates an SMI# once per minute. The SMI handler can check for system activity by reading the DEVACT\_STS register. If none of the system bits are set, the SMI handler can increment a software counter. When the counter reaches a sufficient number of consecutive minutes with no activity, the SMI handler can then put the system into a lower power state.

If there is activity, various bits in the DEVACT\_STS register are set to a 1. Software clears the bits to 0 by writing a 1 to the bit position.

The DEVACT\_STS register allows for monitoring various internal devices, or Super I/O devices (SP, PP, FDC) on LPC or PCI, keyboard controller accesses, or audio functions on LPC or PCI. Other PCI activity can be monitored by checking the PCI interrupts.

## 5.13 System Management (D31:F0)

### 5.13.1 Overview of System Management Functions

The ICH provides various functions to make a system easier to manage and to lower the Total Cost of Ownership (TCO) of the system. Features and functions can be augmented via external A/D converters and GPIO, as well as an external microcontroller.

The following features and functions are supported by the ICH:

- Processor present detection.
  - Detects if the processor fails to fetch the first instruction after reset.
- Various Error detection, reported by the host controller
  - Can generate SMI#, SCI, SERR, NMI, or TCO interrupt
- Intruder Detect input
  - Can generate TCO interrupt or SMI# when the system cover is removed.
- Alert On LAN (ICH: 82801AA only)
  - Sends hardcoded SMBus message over ALERTCLK and ALERTDATA pins to LAN controller.

**Note:** Voltage ID from the processor can be read via GPI signals.

### 5.13.2 Theory of Operation

The System Management functions are designed to allow the system to diagnose failing subsystems. The intent of this logic is that some of the system management functionality will be provided without the aid of an external microcontroller.

#### Detecting a System Lockup

When the processor is reset, it is expected to fetch its first instruction. If the processor fails to fetch the first instruction after reset, the TCO timer times out twice and the ICH asserts PCIRST#.

#### Handling an Intruder

The ICH's INTRUDER# input signal can be attached to a switch that is activated by the system's case being open. This input has a 2 RTC clock debounce. If INTRUDER# goes active (after the debouncer), this sets the INTRD\_DET bit in the TCO2\_STS register. The INTRD\_SEL bits in the TCO2\_CNT register can enable the ICH to cause an SMI# or interrupt. The BIOS or interrupt handler can then cause a transition to the S5 state by writing to the SLP\_EN bit.



The software can also directly read the status of the INTRUDER# signal (high or low) by clearing and then reading the INTRD\_DET bit. This allows the signal to be used as a GPI if the intruder function is not required.

### 5.13.2.1 Handling an ECC Error or Other Memory Error

The host controller provides a message to indicate that it would like to cause an SMI#, SCI, SERR#, or NMI. The software must check the host controller as to the exact cause of the error.

### 5.13.3 Alert on LAN\* (ICH: 82801AA only)

ICH can interface directly with an Alert On LAN enabled LAN controller to report messages to a network management console without the aid of the system processor. This is crucial in cases where the processor is malfunctioning or cannot function due to being in a low-power state.

The basic scheme is for the ICH to send specific messages via the SMBus Interface to the LAN controller. Upon receiving the SMBus message, the network controller has a prepared Ethernet message that it can send to a network management console. The prepared message is typically stored in a non-volatile memory connected directly to the network controller.

Messages are sent by the ICH over the SMBus either because a specific event has occurred or they are sent periodically (also known as a heartbeat). The event and heartbeat messages have the exact same format. The event messages are sent based on events occurring. The heartbeat messages are sent every 30 to 32 seconds. When an event occurs, the ICH sends a new message and increments the SEQ[3:0] field. For heartbeat messages the sequence number does not increment.

If the policy is for the ICH to reboot the system after a hardware lockup, the ICH will not send an Alert On LAN message. Instead, the BIOS detects the lockup and sends the appropriate message.

If the policy is for the ICH not to reboot after a hardware lockup, the ICH sends an Alert On LAN message with the Watchdog (WD) Event Status bit set. This message is sent as soon as the lockup is detected. The message is sent with the next incremented sequence number. Until the locked system is suspended (via a power button override) the ICH continues to send Alert On LAN messages every heartbeat period (30-32 seconds). If another event occurs prior to a power button override, the ICH sends another Alert On LAN message with the next incremented sequence number and appropriate status bit set.

If a boot is unsuccessful (processor does not fetch the first instruction), the ICH sends an Alert On LAN message with the processor event status bit set and the next incremented sequence number. This message is sent as soon as the lockup is detected (2 TCO timer timeouts).

Since some SMBus devices are not powered during some low power states, a separate SMBus interface is provided to connect the ICH to the Alert On LAN network controller. The signals that comprise this interface (referred to as ALERTCLK and ALERTDATA) are multiplexed with GPIO[27:28]. At reset, these signals default to ALERTCLK and ALERTDATA. Note that Alert on LAN messages are broadcast *only* over this separate interface, and the ICH looks for an ACK from the LAN controller on the ALERTDATA signal.

If a unified SMBus architecture is desired, the SMBDATA and ALERTDATA (and SMBCLK and ALERTCLK) signals can be “ORed” together since they are both open drain driven signals. However, the ICH does not check to see if the SMBus is busy before broadcasting an Alert on LAN message using the ALERTCLK and ALERTDATA signals. If the two interfaces are tied together, it is important that there be no SMBus masters other than the ICH in the system. It is also necessary to provide any necessary logic to isolate devices powered by standby from devices powered by core power.

If the system is in a G1 (S1-S4) state, the ICH sends a heartbeat message every 30-32 seconds. If an event occurs prior to the system being shutdown, the ICH immediately sends an event message with the next incremented sequence number. After the event message, the ICH resumes sending heartbeat messages.

Note that, for all message fields more than 1 bit, the most significant bit (MSB) is transferred first. The most significant bit is on the left. For example, for 100000 the “1” is the MSB.

All Alert On LAN messages are broadcast over the ALERTCLK and ALERTDATA pins that are multiplexed with GPIO[27] and GPIO[28]. There are two types of Alert On LAN messages; heartbeat messages and event messages. Heartbeat messages occur every 32 seconds. When coming out of G3, the first heartbeat message could occur anytime within the first 32 seconds. The second heartbeat message occurs 32 seconds after the first. However, event messages occur right after certain events occur. One such event is the act of entering into the pre-boot state.

Coming out of a G3 state ALERTCLK/GPIO[27] and ALERTDATA/GPIO[28] default to ALERTCLK and ALERTDATA. These signals can be programmed as GPIOs. However, before the BIOS has a chance to program these signals to GPIOs, the pre-boot event message and possibly a heartbeat message could be driven onto ALERTCLK and ALERTDATA.

If ALERTCLK and ALERTDATA are left floating, the SMBus state machine could get stuck in a busy state indefinitely when an Alert On LAN message goes out. To prevent this condition, the ICH requires external pull-ups to 3.3V standby on ALERTCLK and ALERTDATA.

If ALERTCLK and ALERTDATA are to be used as GPIOs, they need to be pulled up to 3.3V standby to avoid the SMBus from getting stuck. Also, when coming out of a G3 state, the devices that are connected to the GPIOs must be able to withstand the ICH driving Alert On LAN messages on these pins until the BIOS has a chance to program these pins as GPIOs. Examples of devices that would not be affected by this behavior include LEDs.

**Table 5-48. Alert On LAN Message (ICH: 82801AA only)**

Field	Comment
Cover Tamper Status	1 = This bit is set if the intruder detect bit is set (INTRD_DET).
Temp Event Status	1 = This bit is set if the ICH THERM# input signal is asserted.
Processor Missing Event Status	<p>1 = This bit is set if the processor failed to fetch the first instruction. If the NO-REBOOT bit (D31:F0, Offset D4h, bit 1) is set and the SECOND_TO_STS bit (TCO I/O offset 06h, bit 1) is set, and the BOOT_STS bit (TCO I/O offset 06h, bit 2) is set, then the ICH sets the processor Missing Event Status bit in the Alert On LAN message.</p> <p>If the NO-REBOOT bit is not set, and the SECOND_TO_STS bit is set, the ICH attempts to reboot. After the reboot, the SECOND_TO_STS bit is still set. If the processor fails to fetch the first instruction, the BOOT_STS bit gets set. When the TCO timer times out again, the ICH sets the processor Missing Event Status bit in the Alert On LAN message.</p>
TCO Timer Event Status	1 = This bit is set when the TCO timer expires.
Software Event Status	1 = This bit is set when software writes a 1 to the SEND_NOW bit.
GPIO Status	<p>1 = This bit is set when GPIO[11] signal is low.</p> <p>0 = This bit is cleared when GPIO[11] signal is high.</p> <p>An event message is triggered on an transition of GPIO[11].</p>
SEQ[3:0]	This is a sequence number. It is initially 0, and increments each time the ICH sends a new message. When 1111 is reached, the sequence number rolls over to 0000. MSB (SEQ3) sent first.
System Power State	00 = G0, 01 = G1, 10 = G2, 11 = Pre-Boot. MSB sent first See <a href="#">Table 5-49</a> for a definition for each of these states.
MESSAGE1	Same as the MESSAGE1 Register. MSB sent first.
MESSAGE2	Same as the MESSAGE2 Register. MSB sent first.
WDSTATUS	Same as the WDSTATUS Register. MSB sent first.

Table 5-49. System Power State Definition (ICH: 82801AA only)

State	Enter State	Exit State
Pre-Boot	ICH has left G1 or G2 by deasserting SLP_S3#	CPURST# deasserted or powerbutton override
G0	CPURST# deasserted	Write to SLP_EN register or powerbutton override
G1	Write to SLP_EN register with SLP_TYP for S1-S4	ICH deasserts SLP_S3# after a wake event or powerbutton override
G2	Write to SLP_EN register with SLP_TYP for S5 or powerbutton override	ICH deasserts SLP_S3# after a wake event

## 5.14 IDE Controller (D31:F1)

The IDE interface of the ICH can support several types of data transfers:

- **Programmed I/O (PIO):** Processor is in control of the data transfer.
- **8237 style DMA:** DMA protocol that resembles the DMA on the ISA bus, although it does not use the 8237 in the ICH. This protocol off loads the processor from moving data. This allows higher transfer rate of up to 16 MB/s.
- **Ultra ATA/33:** DMA protocol that redefines signals on the IDE cable to allow both host and target throttling of data and transfer rates of up to 33 MB/s.

**Note:** The ICH0 (82801AB) does not support Ultra ATA/66. If software attempts to program an IDE drive to run ATA/66 timings, the ICH0 will see short strobes (from ATA/33 perspective) and will throttle the performance. This will result in transfer rates that are slower than if the drive were programmed for ATA/33 mode.

- **Ultra ATA/66 (ICH: 82801AA only):** DMA protocol that redefines signals on the IDE cable to allow both host and target throttling of data and transfer rates of up to 66 MB/s.

The ICH has integrated termination series resistors on the data and control lines as listed in Table 5-50.

Table 5-50. IDE Integrated Series Termination Resistors

Signal	Integrated Series Termination Resistor Value	Notes
PDD[15:0], SDD[15:0]	approximately 33 ohms	1
PDIOW#, SDIOW#, PDIOR#, PDIOW#, PDREQ, SDREQ, PDDACK#, SDDACK#, PIORDY, SIORDY, PDA[2:0], SDA[2:0], PDCS1#, SDCS1#, PDCS3#, SDCS3#, IRQ14, IRQ15	approximately 22 ohms	2

### NOTES:

1. Simulation data indicates that these integrated series termination resistors are a nominal 33 ohms but can range from 28 ohms to 46 ohms.
2. Simulation data indicates that these integrated series termination resistors are a nominal 22 ohms but can range from 19 ohms to 29 ohms.

## 5.14.1 PIO Transfers

The ICH IDE controller includes both compatible and fast timing modes. The fast timing modes can be enabled only for the IDE data ports. All other transactions to the IDE registers are run in single transaction mode with compatible timings. The ICH IDE signals are controlled with the granularity of the PCI clock.

Up to 2 IDE devices may be attached per IDE connector (drive 0 and drive 1). The IDETIM and SIDETIM Registers permit different timing modes to be programmed for drive 0 and drive 1 of the same connector.

The Ultra ATA/33 synchronous DMA timing modes can also be applied to each drive by programming the SDMACTL and SDMATIM registers. When a drive is enabled for synchronous DMA mode operation, the DMA transfers are executed with the synchronous DMA timings. The PIO transfers are executed using compatible timings or fast timings if also enabled.

### 5.14.1.1 PIO IDE Timing Modes

IDE data port transaction latency consists of startup latency, cycle latency, and shutdown latency.

Startup latency is incurred when a PCI master cycle targeting the IDE data port is decoded and the DA[2:0] and CSxx# lines are not set up. Startup latency provides the setup time for the DA[2:0] and CSxx# lines prior to assertion of the read and write strobes (DIOR# and DIOW#).

Cycle latency consists of the I/O command strobe assertion length and recovery time. Recovery time is provided so that transactions may occur back-to-back on the IDE interface (without incurring startup and shutdown latency) without violating minimum cycle periods for the IDE interface. The command strobe assertion width for the enhanced timing mode is selected by the IDETIM Register and may be set to 2, 3, 4, or 5 PCI clocks. The recovery time is selected by the IDETIM Register and may be set to 1, 2, 3, or 4 PCI clocks.

If IORDY is asserted when the initial sample point is reached, no wait states are added to the command strobe assertion length. If IORDY is negated when the initial sample point is reached, additional wait states are added. Since the rising edge of IORDY must be synchronized, at least two additional PCI clocks are added.

Shutdown latency is incurred after outstanding scheduled IDE data port transactions (either a non-empty write post buffer or an outstanding read prefetch cycles) have completed and before other transactions can proceed. It provides hold time on the DA[2:0] and CSxx# lines with respect to the read and write strobes (DIOR# and DIOW#). Shutdown latency is 2 PCI clocks in duration. The IDE timings for various transaction types are shown in [Table 5-51](#).

Note that bit 2 (16 bit I/O recovery enable) of the ISA I/O Recovery Timer Register does not add wait states to IDE data port read accesses when any of the fast timing modes are enabled.

**Table 5-51. IDE Transaction Timings (PCI Clocks)**

IDE Transaction Type	Startup Latency	IORDY Sample Point (ISP)	Recovery Time (RCT)	Shutdown Latency
Non-Data Port Compatible	4	11	22	2
Data Port Compatible	3	6	14	2
Fast Timing Mode	2	2 - 5	1 - 4	2

### 5.14.1.2 IORDY Masking

The IORDY signal can be ignored and assumed asserted at the first IORDY Sample Point (ISP) on a drive by drive basis via the IDETIM Register.

### 5.14.1.3 PIO 32 Bit IDE Data Port Accesses

A 32-bit PCI transaction run to the IDE data address (01F0h primary, 0170h secondary) results in two back to back 16-bit transactions to the IDE data port. The 32-bit data port feature is enabled for all timings, not just enhanced timing. For compatible timings, a shutdown and startup latency is incurred between the two 16-bit halves of the IDE transaction. This guarantees that the chip selects will be deasserted for at least 2 PCI clocks between the 2 cycles.

### 5.14.1.4 PIO IDE Data Port Prefetching and Posting

The ICH can be programmed via the IDETIM registers to allow data to be posted to and prefetched from the IDE data ports.

Data prefetching is initiated when a data port read occurs. The read prefetch eliminates latency to the IDE data ports and allows them to be performed back to back for the highest possible PIO data transfer rates. The first data port read of a sector is called the demand read. Subsequent data port reads from the sector are called prefetch reads. The demand read and all prefetch reads must be of the same size (16 or 32 bits).

Data posting is performed for writes to the IDE data ports. The transaction is completed on the PCI bus after the data is received by the ICH. The ICH will then run the IDE cycle to transfer the data to the drive. If the ICH write buffer is non-empty and an unrelated (non-data or opposite channel) IDE transaction occurs, that transaction will be stalled until all current data in the write buffer is transferred to the drive.

## 5.14.2 Bus Master Function

The ICH can act as a PCI Bus master on behalf of an IDE slave device. Two PCI Bus master channels are provided, one channel for each IDE connector (primary and secondary). By performing the IDE data transfer as a PCI Bus master, the ICH off-loads the processor and improves system performance in multitasking environments. Both devices attached to a connector can be programmed for bus master transfers, but only one device per connector can be active at a time.

### 5.14.2.1 Physical Region Descriptor Format

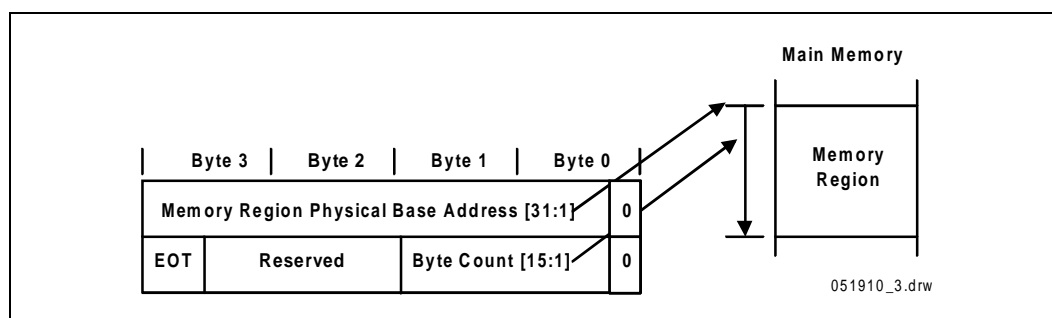
The physical memory region to be transferred is described by a Physical Region Descriptor (PRD). The PRDs are stored sequentially in a Descriptor Table in memory. The data transfer proceeds until all regions described by the PRDs in the table have been transferred. Note that the ICH bus master IDE function does not support memory regions or Descriptor tables located on ISA.

Descriptor Tables must be aligned on 64 Kbyte boundaries. Each PRD entry in the table is 8 bytes in length. The first 4 bytes specify the byte address of a physical memory region. This memory region must be DWord-aligned and must not cross a 64 KByte boundary. The next two bytes specify the size or transfer count of the region in bytes (64 KByte limit per region). A value of zero in these two bytes indicates 64 Kbytes (thus the minimum transfer count is 1). If bit 7 (EOT) of the last byte is a 1, it indicates that this is the final PRD in the Descriptor table. Bus master operation terminates when the last descriptor has been retired.

When the Bus Master IDE controller is reading data from the memory regions, bit 1 of the Base Address is masked and byte enables are asserted for all read transfers. The controller reads to a boundary of 64 bytes, regardless of byte count field of the PRD. Only the byte count value is transferred to the drive however. When writing data, bit 1 of the Base Address is not masked and if set, causes the lower Word byte enables to be deasserted for the first DWord transfer. The write to PCI typically consists of a 32-byte cache line. If valid data ends prior to end of the cache line, the byte enables are deasserted for invalid data.

The total sum of the byte counts in every PRD of the descriptor table must be equal to or greater than the size of the disk transfer request. If greater than the disk transfer request, the driver must terminate the bus master transaction (by setting bit 0 in the Bus Master IDE Command Register to 0) when the drive issues an interrupt to signal transfer completion.

Figure 5-12. Physical Region Descriptor Table Entry



### 5.14.2.2 Line Buffer

A single line buffer exists for the ICH Bus master IDE interface. This buffer is not shared with any other function. The buffer is maintained in either the read state or the write state. Memory writes are typically 4-DWord bursts and invalid DWords have C/BE[3:0]#=0Fh. The line buffer allows burst data transfers to proceed at peak transfer rates.

The Bus Master IDE Active bit in Bus Master IDE Status register is reset automatically when the controller has transferred all data associated with a Descriptor Table (as determined by EOT bit in last PRD). The IDE Interrupt Status bit is set when the IDE device generates an interrupt. These events may occur prior to line buffer emptying for memory writes. If either of these conditions exist, all PCI Master non-memory read accesses to ICH are retried until all data in the line buffers has been transferred to memory.

### 5.14.2.3 Bus Master IDE Timings

The timing modes used for Bus Master IDE transfers are identical to those for PIO transfers. The DMA Timing Enable Only bits in IDE Timing register can be used to program fast timing mode for DMA transactions only. This is useful for IDE devices whose DMA transfer timings are faster than its PIO transfer timings. The IDE device DMA request signal is sampled on the same PCI clock that DIOR# or DIOW# is deasserted. If inactive, the DMA Acknowledge signal is deasserted on the next PCI clock and no more transfers take place until DMA request is asserted again.

#### 5.14.2.4 Interrupts

The ICH is connected to IRQ14 for the primary interrupt and IRQ15 for the secondary interrupt. This connection is done from the ISA pin, before any mask registers. This implies the following:

- Bus Master IDE is operating under an interrupt based driver. Therefore, it will not operate under environments where the IDE device drives an interrupt but the interrupt is masked in the system.
- Bus Master IDE devices are connected directly off of ICH. IDE interrupts cannot be communicated through PCI devices or the serial stream.

#### 5.14.2.5 Bus Master IDE Operation

To initiate a bus master transfer between memory and an IDE device, the following steps are required:

1. Software prepares a PRD Table in system memory. The PRD Table must be DWord-aligned and must not cross a 64K byte boundary.
2. Software provides the starting address of the PRD Table by loading the PRD Table Pointer Register. The direction of the data transfer is specified by setting the Read/Write Control bit. The interrupt bit and Error bit in the Status register are cleared.
3. Software issues the appropriate DMA transfer command to the disk device.
4. The bus master function is engaged by software writing a '1' to the Start bit in the Command Register. The first entry in the PRD table is fetched and loaded into two registers which are not visible by software, the Current Base and Current Count registers. These registers hold the current value of the address and byte count loaded from the PRD table. The value in these registers is only valid when there is an active command to an IDE device.
5. Once the PRD is loaded internally, the IDE device will receive a DMA acknowledge.
6. The controller transfers data to/from memory responding to DMA requests from the IDE device. The IDE device and the host controller may or may not throttle the transfer several times. When the last data transfer for a region has been completed on the IDE interface, the next descriptor is fetched from the table. The descriptor contents are loaded into the Current Base and Current Count registers.
7. At the end of the transfer the IDE device signals an interrupt.
8. In response to the interrupt, software resets the Start/Stop bit in the command register. It then reads the controller status followed by the drive status to determine if the transfer completed successfully.

The last PRD in a table has the End of List (EOL) bit set. The PCI bus master data transfers terminate when the physical region described by the last PRD in the table has been completely transferred. The active bit in the Status Register is reset and the DDRQ signal is masked.

The 64 byte buffer is flushed (when in the write state) or invalidated (when in the read state) when a terminal count condition exists; that is, the current region descriptor has the EOL bit set and that region has been exhausted. The buffer is also flushed (write state) or invalidated (read state) when the Interrupt bit in the Bus Master IDE Status register is set. Software that reads the status register and finds the Error bit reset, and either the Active bit reset or the Interrupt bit set, can be assured that all data destined for system memory has been transferred and that data is valid in system memory. [Table 5-52](#) describes how to interpret the Interrupt and Active bits in the Status Register after a DMA transfer has started.

During concurrent DMA or Ultra-DMA transfers, the ICH IDE interface arbitrates between the primary and secondary IDE cables when a PRD (Physical Region Descriptor) entry expires.



**Table 5-52. Interrupt/Active Bit Interaction Definition**

Interrupt	Active	Description
0	1	DMA transfer is in progress. No interrupt has been generated by the IDE device.
1	0	The IDE device generated an interrupt. The controller exhausted the Physical Region Descriptors. This is the normal completion case where the size of the physical memory regions was equal to the IDE device transfer size.
1	1	The IDE device generated an interrupt. The controller has not reached the end of the physical memory regions. This is a valid completion case where the size of the physical memory regions was larger than the IDE device transfer size.
0	0	This bit combination signals an error condition. If the Error bit in the status register is set, then the controller has some problem transferring data to/from memory. Specifics of the error have to be determined using bus-specific information. If the Error bit is not set, then the PRD's specified a smaller size than the IDE transfer size.

### 5.14.2.6 Error Conditions

IDE devices are sector based mass storage devices. The drivers handle errors on a sector basis; either a sector is transferred successfully or it is not. A sector is 512 bytes.

If the IDE device does not complete the transfer due to a hardware or software error, the command is eventually stopped by the driver setting Command Start bit to 0, when the driver times out the disk transaction. Information in the IDE device registers help isolate the cause of the problem.

If the controller encounters an error while doing the bus master transfers, it stops the transfer (i.e., resets the Active bit in the Command register) and sets the Error bit in the Bus Master IDE Status register. The controller does not generate an interrupt when this happens. The device driver can use device specific information (PCI Configuration Space Status register and IDE Drive Register) to determine what caused the error.

When a requested transfer does not complete properly, information in the IDE device registers (Sector Count) can be used to determine how much of the transfer was completed and to construct a new PRD table to complete the requested operation. In most cases the existing PRD table can be used to complete the operation.

### 5.14.2.7 8237 Like Protocol

The 8237 mode DMA is similar in form to DMA used on the ISA bus. This mode uses pins familiar to the ISA bus, namely a DMA Request, a DMA Acknowledge, and I/O read/write strobes. These pins have similar characteristics to their ISA counterparts in terms of when data is valid relative to strobe edges, and the polarity of the strobes; however, the ICH does not use the 8237 for this mode.

### 5.14.3 Ultra ATA/33 Protocol

Ultra ATA/33 is enabled through configuration register 48h in Device 31:Function 1 for each IDE device. The IDE signal protocols are significantly different under this mode than for the 8237 mode.

Ultra ATA/33 is a physical protocol used to transfer data between a Ultra ATA/33 capable IDE controller such as the ICH and one or more Ultra ATA/33 capable IDE devices. It utilizes the standard Bus Master IDE functionality and interface to initiate and control the transfer. Ultra ATA/33 utilizes a “source synchronous” signaling protocol to transfer data at rates up to 33 Mbytes/sec. The Ultra ATA/33 definition also incorporates a Cyclic Redundancy Checking (CRC-16) error checking protocol.

#### 5.14.3.1 Signal Descriptions

The Ultra ATA/33 protocol requires no extra signal pins on the IDE connector. It does redefine a number of the standard IDE control signals when in Ultra ATA/33 mode. These redefinitions are shown in [Table 5-53](#). Read cycles are defined as transferring data from the IDE device to the ICH. Write cycles are defined as transferring data from ICH to IDE device.

**Table 5-53. Ultra ATA/33 Control Signal Redefinitions**

Standard IDE Signal Definition	Ultra ATA/33 Read Cycle Definition	Ultra ATA/33 Write Cycle Definition	ICH Primary Channel Signal	ICH Secondary Channel Signal
DIOW#	STOP	STOP	PDIOW#	SDIOW#
DIOR#	DMARDY#	STROBE	PDIOR#	SDIOR#
IORDY	STROBE	DMARDY#	PIORDY	SIORDY

The DIOW# signal is redefined as STOP for both read and write transfers. This is always driven by the ICH and is used to request that a transfer be stopped or as an acknowledgment to stop a request from the IDE device.

The DIOR# signal is redefined as DMARDY# for transferring data from the IDE device to the ICH (read). It is used by the ICH to signal when it is ready to transfer data and to add wait states to the current transaction. The DIOR# signal is redefined as STROBE for transferring data from the ICH to the IDE device (write). It is the data strobe signal driven by the ICH on which data is transferred during each rising and falling edge transition.

The IORDY signal is redefined as STROBE for transferring data from the IDE device to the ICH (read). It is the data strobe signal driven by the IDE device on which data is transferred during each rising and falling edge transition. The IORDY signal is redefined as DMARDY# for transferring data from the ICH to the IDE device (write). It is used by the IDE device to signal when it is ready to transfer data and to add wait states to the current transaction.

All other signals on the IDE connector retain their functional definitions during Ultra ATA/33 operation.

### 5.14.3.2 Operation

Initial setup programming consists of enabling and performing the proper configuration of ICH and the IDE device for Ultra ATA/33 operation. For the ICH, this consists of enabling Synchronous DMA mode and setting up appropriate Synchronous DMA timings.

When ready to transfer data to or from an IDE device, the Bus Master IDE programming model is followed. Once programmed, the drive and ICH control the transfer of data via the Ultra ATA/33 protocol. The actual data transfer consists of three phases, a start-up phase, a data transfer phase, and a burst termination phase.

The IDE device begins the start-up phase by asserting DMARQ signal. When ready to begin the transfer, the ICH asserts the DMACK# signal. When DMACK# is asserted, the host controller drives CS0# and CS1# inactive, DA0-DA2 low and the IDE device drives IOCS16# inactive. For write cycles, the ICH deasserts STOP, waits for the IDE device to assert DMARDY#, and then drives the first data word and STROBE signal. For read cycles, the ICH tri-states the DD lines, deasserts STOP, and asserts DMARDY#. The IDE device then sends the first data word and STROBE.

The data transfer phase continues the burst transfers with the data transmitter (ICH - writes, IDE device - reads) providing data and toggling STROBE. Data is transferred (latched by receiver) on each rising and falling edge of STROBE. The transmitter can pause the burst by holding STROBE high or low, resuming the burst by again toggling STROBE. The receiver can pause the burst by deasserting DMARDY# and resumes the transfers by asserting DMARDY#. The ICH will pause a burst transaction to prevent an internal line buffer over or under flow condition; resuming once the condition has cleared. It may also pause a transaction if the current PRD byte count has expired; resuming once it has fetched the next PRD.

The current burst can be terminated by either the transmitter or receiver. A burst termination consists of a Stop Request, Stop Acknowledge and transfer of CRC data. The ICH can stop a burst by asserting STOP, with the IDE device acknowledging by deasserting DMARQ. The IDE device stops a burst by deasserting DMARQ and the ICH acknowledges by asserting STOP. The transmitter then drives the STROBE signal to high. The ICH will then drive the CRC value onto the DD lines and deassert DMACK#. The IDE device latches the CRC value on the rising edge of DMACK#. The ICH terminates a burst transfer if it needs to service the opposite IDE channel, if a Programmed I/O (PIO) cycle is executed to the IDE channel currently running the burst, or upon transferring the last data from the final PRD.

### 5.14.3.3 CRC Calculation

Cyclic Redundancy Checking (CRC-16) is used for error checking on Ultra ATA/33 transfers. The CRC value is calculated for all data by both the ICH and the IDE device over the duration of the Ultra ATA/33 burst transfer segment. This segment is defined as all data transferred with a valid STROBE edge from DDACK# assertion to DDACK# deassertion. At the end of the transfer burst segment, the ICH will drive the CRC value onto the DD[15:0] signals. It is then latched by the IDE device on deassertion of DDACK#. The IDE device compares the ICH CRC value to its own and reports an error if there is a mismatch.

### 5.14.3.4 Synchronous DMA Timings

The timings for Ultra ATA/33 are programmed into the Synchronous DMA Timing Register. The programmable timings include Cycle Time (CT) and Ready to Pause (RP) time. The Cycle Time represents the minimum pulse width of active data strobe (STROBE) signal. The Ready to Pause time represents the number of PCI clocks the ICH will wait from deassertion of DMARDY# to the assertion of STOP when it desires to stop a burst read transaction.

### 5.14.3.5 Ultra ATA/66 (ICH: 82801AA only)

The ICH (82801AA) supports both the Ultra ATA/33 and Ultra ATA/66 protocols. Ultra ATA/66 is similar to the Ultra ATA/33 scheme and is intended to be device driver compatible. The Ultra ATA/66 logic clocks at 66 MHz instead of 33 MHz, and can move 16 bits of data every 2 clocks (for a maximum of 66 MBytes/sec).

To achieve the higher data rate, the timings are shortened and the quality of the cable is improved to reduce reflections, noise, and inductive coupling. Note that the improved cable is required and still plug into the standard IDE connector.

The Ultra ATA/66 protocol also has a 44 Mbytes/sec mode where it uses three 66 MHz clocks. The Ultra ATA/66 protocol is enabled via config bits 3:0 at offset 54h.

## 5.15 USB Controller (Device 31:Function 2)

The ICH contains one USB Host Controller. The Host Controller includes the root hub with two separate USB ports. The ICH Host Controller supports the standard Universal Host Controller Interface (UHCI) Rev 1.0. Overcurrent detection on two USB ports is supported. The overcurrent signals can be used as GPIO if not needed. The ICH's USB controller is arbitrated as differently than standard PCI devices to improve arbitration latency.

**Note:** Poor performing PCI devices that cause long latencies (numerous retries) to CPU-to-PCI locked cycles may starve isochronous transfers between USB or AC'97 devices and memory. This will result in overrun or underrun, causing reduced quality of the isochronous data (e.g., audio).

## 5.15.1 Data Structures in Main memory

This section describes the details of the data structures used to communicate control, status, and data between software and the ICH: Frame Lists, Transfer Descriptors, and Queue Heads. Frame Lists are aligned on 4-Kbyte boundaries. Transfer Descriptors and Queue Heads are aligned on 16-byte boundaries.

### 5.15.1.1 Frame List Pointer

The frame list pointer contains a link pointer to the first data object to be processed in the frame, as well as the control bits defined in [Table 5-54](#).

**Table 5-54. Frame List Pointer Bit Description**

Bit	Description
31:4	<b>Frame List Pointer (FLP)</b> . This field contains the address of the first data object to be processed in the frame and corresponds to memory address signals [31:4], respectively.
3:2	Reserved. These bits must be written as 0.
1	<b>QH/TD Select (Q)</b> . This bit indicates to the hardware whether the item referenced by the link pointer is a TD (Transfer Descriptor) or a QH (Queue Head). This allows the ICH to perform the proper type of processing on the item after it is fetched. 1 = QH 0 = TD
0	<b>Terminate (T)</b> . This bit indicates to the ICH whether the schedule for this frame has valid entries in it. 1 = Empty Frame (pointer is invalid). 0 = Pointer is valid (points to a QH or TD).

### 5.15.1.2 Transfer Descriptor (TD)

Transfer Descriptors (TDs) express the characteristics of the transaction requested on USB by a client. TDs are always aligned on 16-byte boundaries, and the elements of the TD are shown in Figure 5-13. The 4 different USB transfer types are supported by a small number of control bits in the descriptor that the ICH interprets during operation. All Transfer Descriptors have the same basic, 32-byte structure. During operation, the ICH hardware performs consistency checks on some fields of the TD. If a consistency check fails, the ICH halts immediately and issues an interrupt to the system. This interrupt cannot be masked within the ICH.

Figure 5-13. Transfer Descriptor

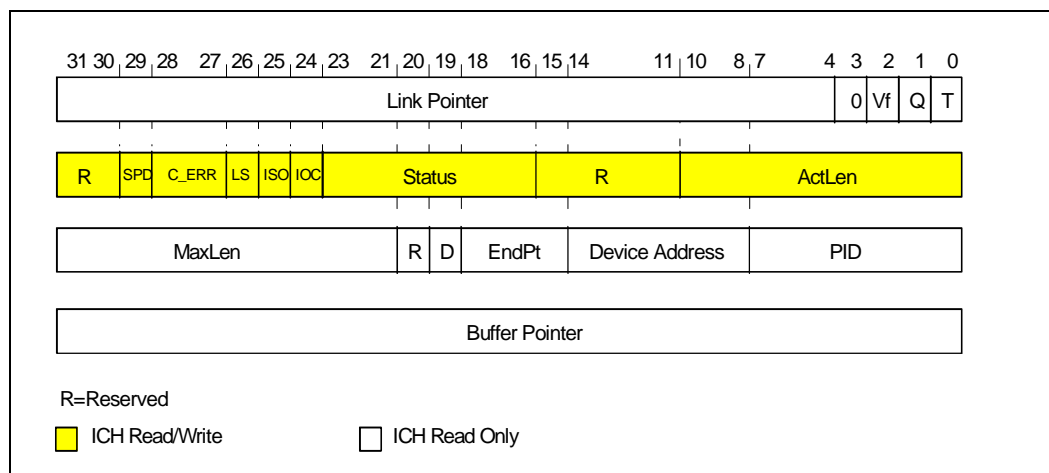


Table 5-55. TD Link Pointer

Bit	Description
31:4	<b>Link Pointer (LP).</b> Bits [31:4] Correspond to memory address signals [31:4], respectively. This field points to another TD or QH.
3	Reserved. Must be 0 when writing this field.
2	<b>Depth/Breadth Select (VF).</b> This bit is only valid for queued TDs and indicates to the hardware whether it should process in a depth first or breadth first fashion. When set to depth first, it informs the ICH to process the next transaction in the queue rather than starting a new queue. 1 = Depth first. 0 = Breadth first.
1	<b>QH/TD Select (Q).</b> This bit informs the ICH whether the item referenced by the link pointer is another TD or a QH. This allows the ICH to perform the proper type of processing on the item after it is fetched 1 = QH. 0 = TD.
0	<b>Terminate (T).</b> This bit informs the ICH that the link pointer in this TD does not point to another valid entry. When encountered in a queue context, this bit indicates to the ICH that there are no more valid entries in the queue. A TD encountered outside of a queue context with the T bit set informs the ICH that this is the last TD in the frame. 1 = Link Pointer field not valid. 0 = Link Pointer field is valid.

Table 5-56. TD Control and Status (Sheet 1 of 2)

Bit	Description																														
31:30	Reserved.																														
29	<p><b>Short Packet Detect (SPD).</b> When a packet has this bit set to 1 and the packet is an input packet, is in a queue; and successfully completes with an actual length less than the maximum length then the TD is marked inactive, the Queue Header is not updated and the USBINT status bit (Status Register) is set at the end of the frame. In addition, if the interrupt is enabled, the interrupt is sent at the end of the frame.</p> <p>Note that any error (e.g., babble or FIFO error) prevents the short packet from being reported. The behavior is undefined when this bit is set with output packets or packets outside of queues.</p> <p>1 = Enable. 0 = Disable.</p>																														
28:27	<p><b>Error Counter (C_ERR).</b> This field is a 2-bit down counter that keeps track of the number of Errors detected while executing this TD. If this field is programmed with a non zero value during setup, the ICH decrements the count and writes it back to the TD if the transaction fails. If the counter counts from one to zero, the ICH marks the TD inactive, sets the “STALLED” and error status bit for the error that caused the transition to zero in the TD. An interrupt is generated to Host Controller Driver (HCD) if the decrement to zero was caused by Data Buffer error, Bit stuff error, or if enabled, a CRC or Timeout error. If HCD programs this field to zero during setup, the ICH does not count errors for this TD and there is no limit on the retries of this TD.</p> <table border="0"> <thead> <tr> <th>Bits[28:27]</th> <th>Interrupt After</th> </tr> </thead> <tbody> <tr> <td>00</td> <td>No Error Limit</td> </tr> <tr> <td>01</td> <td>1 Error</td> </tr> <tr> <td>10</td> <td>2 Errors</td> </tr> <tr> <td>11</td> <td>3 Errors</td> </tr> </tbody> </table> <table border="0"> <thead> <tr> <th>Error</th> <th>Decrement Counter</th> <th>Error</th> <th>Decrement Counter</th> </tr> </thead> <tbody> <tr> <td>CRC Error</td> <td>Yes</td> <td>Data Buffer Error</td> <td>Yes</td> </tr> <tr> <td>Timeout Error</td> <td>Yes</td> <td>Stalled</td> <td>No*</td> </tr> <tr> <td>NAK Received</td> <td>No</td> <td>Bit stuff Error</td> <td>Yes</td> </tr> <tr> <td>Babble Detected</td> <td>No*</td> <td></td> <td></td> </tr> </tbody> </table> <p>* Detection of Babble or Stall automatically deactivates the TD. Thus, count is not decremented.</p>	Bits[28:27]	Interrupt After	00	No Error Limit	01	1 Error	10	2 Errors	11	3 Errors	Error	Decrement Counter	Error	Decrement Counter	CRC Error	Yes	Data Buffer Error	Yes	Timeout Error	Yes	Stalled	No*	NAK Received	No	Bit stuff Error	Yes	Babble Detected	No*		
Bits[28:27]	Interrupt After																														
00	No Error Limit																														
01	1 Error																														
10	2 Errors																														
11	3 Errors																														
Error	Decrement Counter	Error	Decrement Counter																												
CRC Error	Yes	Data Buffer Error	Yes																												
Timeout Error	Yes	Stalled	No*																												
NAK Received	No	Bit stuff Error	Yes																												
Babble Detected	No*																														
26	<p><b>Low Speed Device (LS).</b> This bit indicates that the target device (USB data source or sink) is a low speed device, running at 1.5 Mb/s, instead of at full speed (12 Mb/sec). There are special restrictions on schedule placement for low speed TDs. If an ICH root hub port is connected to a full speed device and this bit is set to a 1 for a low speed transaction, the ICH sends out a low speed preamble on that port before sending the PID. No preamble is sent if a ICH root hub port is connected to a low speed device.</p> <p>1 = Low Speed Device 0 = Full Speed Device</p>																														
25	<p><b>Isochronous Select (IOS).</b> The field specifies the type of the data structure. If this bit is set to a 1, then the TD is an isochronous transfer. Isochronous TDs are always marked inactive by the hardware after execution, regardless of the results of the transaction.</p> <p>1 = Isochronous Transfer Descriptor 0 = Non-isochronous Transfer Descriptor</p>																														
24	<p><b>Interrupt on Complete (IOC).</b> This specifies that the ICH should issue an interrupt on completion of the frame in which this Transfer Descriptor is executed. Even if the Active bit in the TD is already cleared when the TD is fetched (no transaction will occur on USB), an IOC interrupt is generated at the end of the frame.</p> <p>1 = Issue IOC</p>																														
23	<p><b>Active.</b> For ICH schedule execution operations, see the Data Transfers To/From Main Memory section.</p> <p>1 = Set to 1 by software to enable the execution of a message transaction by the ICH. 0 = When the transaction associated with this descriptor is completed, the ICH sets this bit to 0 indicating that the descriptor should not be executed when it is next encountered in the schedule. The Active bit is also set to 0 if a stall handshake is received from the endpoint.</p>																														

**Table 5-56. TD Control and Status (Sheet 2 of 2)**

Bit	Description
22	<p><b>Stalled.</b></p> <p>1 = Set to a 1 by the ICH during status updates to indicate that a serious error has occurred at the device/endpoint addressed by this TD. This can be caused by babble, the error counter counting down to zero, or reception of the STALL handshake from the device during the transaction. Any time that a transaction results in the Stalled bit being set, the Active bit is also cleared (set to 0). If a STALL handshake is received from a SETUP transaction, a Time Out Error will also be reported.</p>
21	<p><b>Data Buffer Error (DBE).</b></p> <p>1 = Set to a 1 by the ICH during status update to indicate that the ICH is unable to keep up with the reception of incoming data (overrun) or is unable to supply data fast enough during transmission (underrun). When this occurs, the actual length and Max Length field of the TD will not match. In the case of an underrun, the ICH transmits an incorrect CRC (thus, invalidating the data at the endpoint) and leaves the TD active (unless error count reached zero). If an overrun condition occurs, the ICH forces a timeout condition on the USB, invalidating the transaction at the source.</p>
20	<p><b>Babble Detected (BABD).</b></p> <p>1 = Set to a 1 by the ICH during status update when "babble" is detected during the transaction generated by this descriptor. Babble is unexpected bus activity for more than a preset amount of time. In addition to setting this bit, the ICH also sets the "STALLED" bit (bit 22) to a 1. Since "babble" is considered a fatal error for that transfer, setting the "STALLED" bit to a 1 insures that no more transactions occur as a result of this descriptor. Detection of babble causes immediate termination of the current frame. No further TDs in the frame are executed. Execution resumes with the next frame list index.</p>
19	<p><b>Negative Acknowledgment (NAK) Received (NAKR).</b></p> <p>1 = Set to a 1 by the ICH during status update when the ICH receives a "NAK" packet during the transaction generated by this descriptor. If a NAK handshake is received from a SETUP transaction, a Time Out Error is also reported.</p>
18	<p><b>CRC/Time Out Error (CRC_TOUT).</b></p> <p>1 = Set to a 1 by the ICH as follows:</p> <ul style="list-style-type: none"> <li>• During a status update in the case that no response is received from the target device/endpoint within the time specified by the protocol chapter of the USB specification.</li> <li>• During a status update when a Cyclical Redundancy Check (CRC) error is detected during the transaction associated with this transfer descriptor.</li> <li>• In the transmit case (OUT or SETUP Command), this is in response to the ICH detecting a timeout from the target device/endpoint.</li> <li>• In the receive case (IN Command), this is in response to the ICH's CRC checker circuitry detecting an error on the data received from the device/endpoint or a NAK or STALL handshake being received in response to a SETUP transaction.</li> </ul>
17	<p><b>Bit stuff Error (BSE).</b></p> <p>1 = This bit is set to a 1 by the ICH during status update to indicate that the receive data stream contained a sequence of more than 6 ones in a row.</p>
16	<p><b>Bus Turn Around Time-out (BTTO).</b></p> <p>1 = This bit is set to a 1 by the ICH during status updates to indicate that a bus time-out condition was detected for this USB transaction. This time-out is specially defined as not detecting an IDLE-to 'K' state Start of Packet (SOP) transition from 16 to 18 bit times after the SE0-to IDE transition of previous End of Packet (EOP).</p>
15:11	Reserved
10:0	<p><b>Actual Length (ACTLEN).</b> The Actual Length field is written by the ICH at the conclusion of a USB transaction to indicate the actual number of bytes that were transferred. It can be used by the software to maintain data integrity. The value programmed in this register is encoded as n-1 (see Maximum Length field description in the TD Token).</p>



**Table 5-57. TD Token**

Bit	Description
31:21	<p><b>Maximum Length (MAXLEN).</b> The Maximum Length field specifies the maximum number of data bytes allowed for the transfer. The Maximum Length value does not include protocol bytes, such as Packet ID (PID) and CRC. The maximum data packet is 1280 bytes. The 1280 packet length is the longest packet theoretically guaranteed to fit into a frame. Actual packet maximum lengths are set by HCD according to the type and speed of the transfer. Note that the maximum length allowed by the USB specification is 1023 bytes. The valid encodings for this field are:</p> <p>0x000 = 1 byte                      0x001 = 2 bytes                      ....                      0x3FE = 1023 bytes                      0x3FF = 1024 bytes                      ....                      0x4FF = 1280 bytes                      0x7FF = 0 bytes (null data packet)</p> <p>Note that values from 500h to 7FEh are illegal and cause a consistency check failure.</p> <p>In the transmit case, the ICH uses this value as a terminal count for the number of bytes it fetches from host memory. In most cases, this is the number of bytes it will actually transmit. In rare cases, the ICH may be unable to access memory (e.g., due to excessive latency) in time to avoid underrunning the transmitter. In this instance the ICH would transmit fewer bytes than specified in the Maximum Length field.</p>
20	Reserved.
19	<p><b>Data Toggle (D).</b> This bit is used to synchronize data transfers between a USB endpoint and the host. This bit determines which data PID is sent or expected (0=DATA0 and 1=DATA1). The Data Toggle bit provides a 1-bit sequence number to check whether the previous packet completed. This bit must always be 0 for Isochronous TDs.</p>
18:15	<p><b>Endpoint (ENDPT).</b> This 4-bit field extends the addressing internal to a particular device by providing 16 endpoints. This permits more flexible addressing of devices in which more than one sub-channel is required.</p>
14:8	<p><b>Device Address.</b> This field identifies the specific device serving as the data source or sink.</p>
7:0	<p><b>Packet Identification (PID).</b> This field contains the Packet ID to be used for this transaction. Only the IN (69h), OUT (E1h), and SETUP (2Dh) tokens are allowed. Any other value in this field causes a consistency check failure resulting in an immediate halt of the ICH. Bits [3:0] are complements of bits [7:4].</p>

**Table 5-58. TD Buffer Pointer**

Bit	Description
31:0	<p><b>Buffer Pointer (BUFF_PNT).</b> Bits [31:0] corresponds to memory address [31:0], respectively. It points to the beginning of the buffer that will be used during this transaction. This buffer must be at least as long as the value in the Maximum Length field described in the TD Token. The data buffer may be byte-aligned.</p>

### 5.15.1.3 Queue Head (QH)

Queue heads are special structures used to support the requirements of Control, Bulk, and Interrupt transfers. Since these TDs are not automatically retired after each use, their maintenance requirements can be reduced by putting them into a queue. Queue Heads must be aligned on a 16-byte boundary, and the elements are shown in [Table 5-59](#).

**Table 5-59. Queue Head Block**

Bytes	Description	Attributes
00-03	Queue Head Link Pointer	RO
04-07	Queue Element Link Pointer	R/W

**Table 5-60. Queue Head Link Pointer**

Bit	Description
31:4	<b>Queue Head Link Pointer (QHLP)</b> . This field contains the address of the next data object to be processed in the horizontal list and corresponds to memory address signals [31:4], respectively.
3:2	Reserved. These bits must be written as 0s.
1	<b>QH/TD Select (Q)</b> . This bit indicates to the hardware whether the item referenced by the link pointer is another TD or a QH. 1=QH 0=TD
0	<b>Terminate (T)</b> . This bit indicates to the ICH that this is the last QH in the schedule. If there are active TDs in this queue, they are the last to be executed in this frame. 1 = Last QH (pointer is invalid). 0 = Pointer is valid (points to a QH or TD).

**Table 5-61. Queue Element Link Pointer**

Bit	Description
31:4	<b>Queue Element Link Pointer (QELP)</b> . This field contains the address of the next TD or QH to be processed in this queue and corresponds to memory address signals [31:4], respectively.
3:2	Reserved.
1	<b>QH/TD Select (Q)</b> . This bit indicates to the hardware whether the item referenced by the link pointer is another TD or a QH. For entries in a queue, this bit is typically set to 0. 1 = QH 0 = TD
0	<b>Terminate (T)</b> . This bit indicates to the ICH that there are no valid TDs in this queue. When HCD has new queue entries it overwrites this value with a new TD pointer to the queue entry. 1 = Terminate (No valid queue entries). 0 = Pointer is valid.

## 5.15.2 Data Transfers To/From Main Memory

The following sections describe the details on how HCD and the ICH communicate via the Schedule data structures. The discussion is organized in a top-down manner, beginning with the basics of walking the Frame List, followed by a description of generic processing steps common to all transfer descriptors, and finally a discussion on Transfer Queuing.

### 5.15.2.1 Executing the Schedule

Software programs the ICH with the starting address of the Frame List and the Frame List index, then causes the ICH to execute the schedule by setting the Run/Stop bit in the Control register to Run. The ICH processes the schedule one entry at a time: the next element in the frame list is not fetched until the current element in the frame list is retired.

Schedule execution proceeds in the following fashion:

- The ICH first fetches an entry from the Frame List. This entry has three fields. Bit 0 indicates whether the address pointer field is valid. Bit 1 indicates whether the address points to a Transfer Descriptor or to a queue head. The third field is the pointer itself.
- If isochronous traffic is to be moved in a given frame, the Frame List entry points to a Transfer Descriptor. If no isochronous data is to be moved in that frame, the entry points to a queue head or the entry is marked invalid and no transfers are initiated in that frame.
- If the Frame List entry indicates that it points to a Transfer Descriptor, the ICH fetches the entry and begins the operations necessary to initiate a transaction on USB. Each TD contains a link field that points to the next entry, as well as indicating whether it is a TD or a QH.
- If the Frame List entry contains a pointer to a QH, the ICH processes the information from the QH to determine the address of the next data object that it should process.
- The TD/QH process continues until the millisecond allotted to the current frame expires. At this point, the ICH fetches the next entry from the Frame List. If the ICH is not able to process all of the transfer descriptors during a given frame, those descriptors are retired by software without having been executed.

### 5.15.2.2 Processing Transfer Descriptors

The ICH executes a TD using the following generalized algorithm. These basic steps are common across all modes of TDs. Subsequent sections present processing steps unique to each TD mode.

1. ICH Fetches TD or QH from the current Link Pointer.
2. If a QH, go to 1 to fetch from the Queue Element Link Pointer. If inactive, go to 12
3. Build Token, actual bits are in TD Token.
4. If (Host-to-Function) then
  - [*PCI Access*] issue request for data, (referenced through TD.BufferPointer)
  - wait for first chunk data arrival
  - end if
5. [*Begin USB Transaction*] Issue Token (from token built in 2, above) and begin data transfer.
  - if (Host-to-Function) then Go to 6
  - else Go to 7
  - end if
6. Fetch data from memory (via TD BufferPointer) and transfer over USB until TD Max-Length bytes have been read and transferred. [*Concurrent system memory and USB Accesses*].
  - Go to 8.

7. Wait for data to arrive (from USB). Write incoming bytes into memory beginning at TD BufferPointer. Internal HC buffer should signal end of data packet. Number of bytes received must be (TD Max-Length; The length of the memory area referenced by TD BufferPointer must be (TD Max-Length. [*Concurrent system memory and USB Accesses*]).
8. Issue handshake based on status of data received (Ack or Time-out). Go to 10.
9. Wait for handshake, if required [*End of USB Transaction*].
10. Update Status [*PCI Access*] (TD.Status and TD.ActualLength).  
If the TD was an isochronous TD, mark the TD inactive. Go to 12.  
If not an isochronous TD, and the TD completed successfully, mark the TD inactive. Go to 11.  
If not successful, and the error count has not been reached, leave the TD active. If the error count has been reached, mark the TD inactive. Go to 12.
11. Write the link pointer from the current TD into the element pointer field of the QH structure. If the Vf bit is set in the TD link pointer, go to 2.
12. Proceed to next entry.

### 5.15.2.3 Command Register, Status Register, and TD Status Bit Interaction

**Table 5-62. Command Register, Status Register, and TD Status Bit Interaction**

Condition	ICH USB Status Register Actions	TD Status Register Actions
CRC/Time Out Error	<ul style="list-style-type: none"> <li>• Set USB Error Int bit<sup>1</sup>, Clear HC Halted bit</li> </ul>	<ul style="list-style-type: none"> <li>• Clear Active bit<sup>1</sup> and set Stall bit<sup>1</sup></li> </ul>
Illegal PID, PID Error, Max Length (illegal)	<ul style="list-style-type: none"> <li>• Clear Run/Stop bit in command register</li> <li>• Set HC Process Error and HC Halted bits</li> </ul>	
PCI Master/Target Abort	<ul style="list-style-type: none"> <li>• Clear Run/Stop bit in command register</li> <li>• Set Host System Error and HC Halted bits</li> </ul>	
Suspend Mode	<ul style="list-style-type: none"> <li>• Clear Run/Stop bit in command register<sup>2</sup></li> <li>• Set HC Halted bit</li> </ul>	
Resume Received and Suspend Mode = 1	<ul style="list-style-type: none"> <li>• Set Resume received bit</li> </ul>	
Run/Stop = 0	<ul style="list-style-type: none"> <li>• Clear Run/Stop bit in command register</li> <li>• Set HC Halted bit</li> </ul>	
Config Flag Set	<ul style="list-style-type: none"> <li>• Set Config Flag in command register</li> </ul>	
HC Reset/Global Reset	<ul style="list-style-type: none"> <li>• Clear Run/Stop and Config Flag in command register</li> <li>• Clear USB Int, USB Error Int, Resume received, Host System Error, HC Process Error, and HC Halted bits</li> </ul>	
IOC = 1 in TD Status	<ul style="list-style-type: none"> <li>• Set USB Int bit</li> </ul>	
Stall	<ul style="list-style-type: none"> <li>• Set USB Error Int bit</li> </ul>	<ul style="list-style-type: none"> <li>• Clear Active bit<sup>1</sup> and set Stall bit</li> </ul>
Bit Stuff/Data Buffer Error	<ul style="list-style-type: none"> <li>• Set USB Error Int bit<sup>1</sup></li> </ul>	<ul style="list-style-type: none"> <li>• Clear Active bit<sup>1</sup> and set Stall bit<sup>1</sup></li> </ul>
Short Packet Detect	<ul style="list-style-type: none"> <li>• Set USB Int bit</li> </ul>	<ul style="list-style-type: none"> <li>• Clear Active bit</li> </ul>

**NOTES:**

1. Only If error counter counted down from 1 to 0
2. Suspend mode can be entered only when Run/Stop bit is 0

**Note:** If a NAK or STALL response is received from a SETUP transaction, a Time Out Error is reported. This causes the Error counter to decrement and the CRC/Time-out Error status bit to be set within the TD Control and Status DWord during write back. If the Error counter changes from 1 to 0, the Active bit is reset to 0 and Stalled bit to 1 as normal.

### 5.15.2.4 Transfer Queuing

Transfer Queues are used to implement a guaranteed data delivery stream to a USB Endpoint. Transfer Queues are composed of two parts: a Queue Header (QH) and a linked list. The linked list of TDs and QHs has an indeterminate length (0 to n).

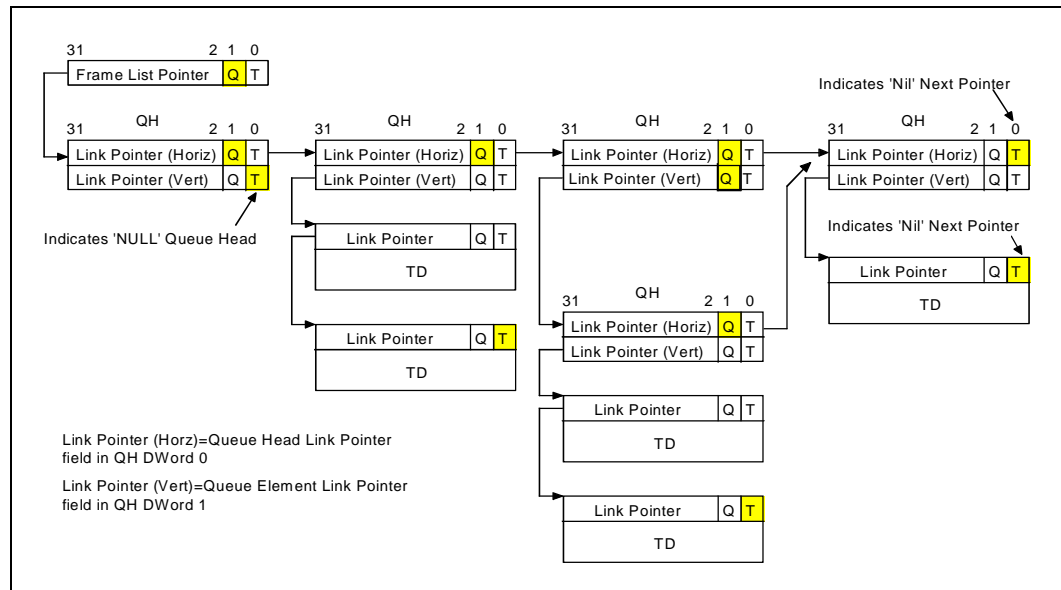
The QH contains two link pointers and is organized as two contiguous DWords. The first DWord is a horizontal pointer (Queue Head Link Pointer), used to link a single transfer queue with either another transfer queue, or a TD (target data structure depends on Q bit). If the T bit is set, this QH represents the last data structure in the current Frame. The T bit informs the ICH that no further processing is required until the beginning of the next frame. The second DWord is a vertical pointer (Queue Element Link Pointer) to the first data structure (TD or QH) being managed by this QH. If the T bit is set, the queue is empty. This pointer may reference a TD or another QH.

Figure 5-14 illustrates four example queue conditions. The first QH (on far left) is an example of an “empty” queue; the termination bit (T Bit), in the vertical link pointer field, is set to 1. The horizontal link pointer references another QH. The next queue is the expected typical configuration. The horizontal link pointer references another QH, and the vertical link pointer references a valid TD.

Typically, the vertical pointer in a QH points to a TD. However, as shown in Figure 5-14 (third example from left side of figure) the vertical pointer could point to another QH. When this occurs, a new Q Context is entered and the Q Context just exited is NULL (ICH will not update the vertical pointer field).

The far right QH is an example of a frame ‘termination’ node. Since its horizontal link pointer has its termination bit set, the ICH assumes there is no more work to complete for the current Frame.

Figure 5-14. Example Queue Conditions



Transfer Queues are based on the following characteristics:

- A QH’s vertical link pointer (Queue Element Link Pointer) references the ‘Top’ queue member. A QH’s horizontal link pointer (Queue Head Link Pointer) references the “next” work element in the Frame.
- Each queue member’s link pointer references the next element within the queue.

In the simplest model, the ICH follows vertical link point to a queue element, then executes the element. If the completion status of the TD satisfies the advance criteria as shown in [Table 5-63](#), the ICH advances the queue by writing the just-executed TD’s link pointer back into the QH’s Queue Element link pointer. The next time the queue head is traversed, the next queue element will be the Top element.

The traversal has two options: Breadth first, or Depth first. A flag bit in each TD (Vf - Vertical Traversal Flag) controls whether traversal is Breadth or Depth first. The default mode of traversal is Breadth-First. For Breadth-First, the ICH only executes the top element from each queue. The execution path is shown below:

1. QH (Queue Element Link Pointer)
2. TD
3. Write-Back to QH (Queue Element Link Pointer)
4. QH (Queue Head Link pointer).

Breadth-First is also performed for every transaction execution that fails the advance criteria. This means that if a queued TD fails, the queue does not advance, and the ICH traverses the QH’s Queue Head Link Pointer.

In a Depth-first traversal, the top queue element must complete successfully to satisfy the *advance criteria* for the queue. If the ICH is currently processing a queue, and the advance criteria are met, and the Vf bit is set, the ICH follows the TD’s link pointer to the next schedule work item.

Note that regardless of traversal model, when the advance criteria are met, the successful TD’s link pointer is written back to the QH’s Queue Element link pointer.

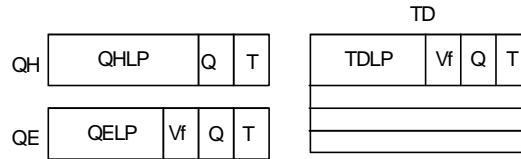
When the ICH encounters a QH, it caches the QH internally, and sets internal state to indicate it is in a Q-context. It needs this state to update the correct QH (for auto advancement) and also to make the correct decisions on how to traverse the Frame List.

Restricting the advancement of queues to advancement criteria implements a guaranteed data delivery stream. A queue is **never** advanced on an error completion status (even in the event the error count was exhausted). [Table 5-63](#) lists the general queue advance criteria, which are based on the execution status of the TD at the ‘Top’ of a currently ‘active’ queue.

**Table 5-63. Queue Advance Criteria**

Function-to-Host (IN)			Host-to-Function (OUT)		
Non-NULL	NULL	Error/NAK	Non-NULL	NULL	Error/NAK
Advance Q	Advance Q	Retry Q Element	Advance Q	Advance Q	Retry Q Element

Table 5-63 is a decision table illustrating the valid combinations of link pointer bits and the valid actions taken when advancement criteria for a queued transfer descriptor are met. The column headings for the link pointer fields are encoded, based on the following list:



Legends:

QH.LP = Queue Head Link Pointer (or Horizontal Link Pointer)  
 QE.LP = Queue Element Link Pointer (or Vertical Link Pointer)  
 TD.LP = TD Link Pointer  
 QH.Q = Q bit in QH  
 QH.T = T bit in QH

QE.Q = Q bit in QE  
 QE.T = T bit in QE  
 TD.Vf = Vf bit in TD  
 TD.Q = Q bit in TD  
 TD.T = T bit in TD

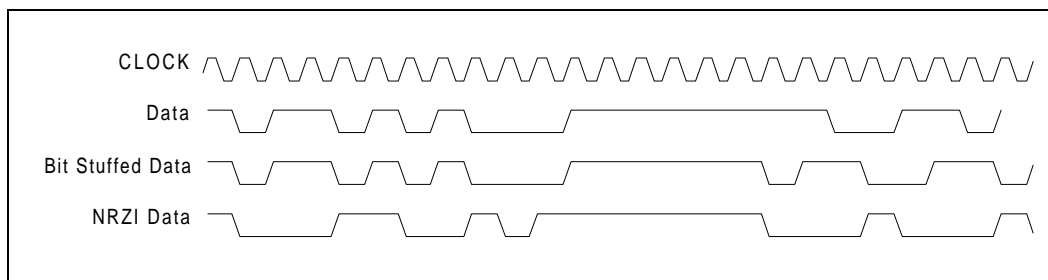
**Table 5-64. USB Schedule List Traversal Decision Table**

Q Context	QH.Q	QH.T	QE.Q	QE.T	TD.Vf	TD.Q	TD.T	Description
0	-	-	-	-	x	0	0	Not in Queue - execute TD. Use TD.LP to get next TD
0	-	-	-	-	x	x	1	Not in Queue - execute TD. End of Frame
0	-	-	-	-	x	1	0	Not in Queue - execute TD. Use TD.LP to get next (QH+QE). Set Q Context to 1.
1	0	0	0	0	0	x	x	In Queue. Use QE.LP to get TD. execute TD. Update QE.LP with TD.LP. Use QH.LP to get next TD.
1	x	x	0	0	1	0	0	In Queue. Use QE.LP to get TD. execute TD. Update QE.LP with TD.LP. Use TD.LP to get next TD.
1	x	x	0	0	1	1	0	In Queue. Use QE.LP to get TD. execute TD. Update QE.LP with TD.LP. Use TD.LP to get next (QH+QE).
1	0	0	x	1	x	x	x	In Queue. Empty queue. Use QH.LP to get next TD
1	x	x	1	0	-	-	-	In Queue. Use QE.LP to get (QH+QE)
1	x	1	0	0	0	x	x	In Queue. Use QE.LP to get TD. execute TD. Update QE.LP with TD.LP. End of Frame
1	x	1	x	1	x	x	x	In Queue. Empty queue. End of Frame
1	1	0	0	0	0	x	x	In Queue. Use QE.LP to get TD. execute TD. Update QE.LP with TD.LP. Use QH.LP to get next (QH+QE).
1	1	0	x	1	x	x	x	In Queue. Empty queue. Use QH.LP to get next (QH+QE)

### 5.15.3 Data Encoding and Bit Stuffing

The USB employs NRZI data encoding (Non-Return to Zero Inverted) when transmitting packets. In NRZI encoding, a 1 is represented by no change in level and a 0 is represented by a change in level. A string of zeros causes the NRZI data to toggle each bit time. A string of ones causes long periods with no transitions in the data. To ensure adequate signal transitions, bit stuffing is employed by the transmitting device when sending a packet on the USB. A 0 is inserted after every six consecutive 1's in the data stream before the data is NRZI encoded to force a transition in the NRZI data stream. This gives the receiver logic a data transition at least once every seven bit times to guarantee the data and clock lock. A waveform of the data encoding is shown in Figure 5-15.

Figure 5-15. USB Data Encoding



Bit stuffing is enabled beginning with the Sync Pattern and throughout the entire transmission. The data “one” that ends the Sync Pattern is counted as the first one in a sequence. Bit stuffing is always enforced, without exception. If required by the bit stuffing rules, a zero bit is inserted, even if it is the last bit before the end-of-packet (EOP) signal.

### 5.15.4 Bus Protocol

#### 5.15.4.1 Bit Ordering

Bits are sent out onto the bus least significant bit (LSb) first, followed by next LSb, through to the most significant bit (MSb) last.

#### 5.15.4.2 SYNC Field

All packets begin with a synchronization (SYNC) field, which is a coded sequence that generates a maximum edge transition density. The SYNC field appears on the bus as IDLE followed by the binary string “KJKJKJKK,” in its NRZI encoding. It is used by the input circuitry to align incoming data with the local clock and is defined to be eight bits in length. SYNC serves only as a synchronization mechanism and is not shown in the following packet diagrams. The last two bits in the SYNC field are a marker that is used to identify the first bit of the PID. All subsequent bits in the packet must be indexed from this point.



### 5.15.4.3 Packet Field Formats

Field formats for the token, data, and handshake packets are described in the following section. The effects of NRZI coding and bit stuffing have been removed for the sake of clarity. All packets have distinct start and end of packet delimiters.

**Table 5-65. PID Format**

Bit	Data Sent		Bit	Data Sent
0	PID 0		4	NOT(PID 0)
1	PID 1		5	NOT(PID 1)
2	PID 2		6	NOT(PID 2)
3	PID 3		7	NOT(PID 3)

#### Packet Identifier Field

A packet identifier (PID) immediately follows the SYNC field of every USB packet. A PID consists of a four bit packet type field followed by a four-bit check field as shown in [Table 5-65](#). The PID indicates the type of packet and, by inference, the format of the packet and the type of error detection applied to the packet. The four-bit check field of the PID insures reliable decoding of the PID so that the remainder of the packet is interpreted correctly. The PID check field is generated by performing a ones complement of the packet type field.

Any PID received with a failed check field or which decodes to a non-defined value is assumed to be corrupted and the remainder of the packet is assumed to be corrupted and is ignored by the receiver. PID types, codes, and descriptions are listed in [Table 5-66](#).

**Table 5-66. PID Types**

PID Type	PID Name	PID[3:0]	Description
Token	OUT	b0001	Address + endpoint number in host -> function transaction
	IN	b1001	Address + endpoint number in function -> host transaction
	SOF	b0101	Start of frame marker and frame number
Data	SETUP	b1101	Address + endpoint number in host -> function transaction for setup to a control endpoint
	DATA0	b0011	Data packet PID even
	DATA1	b1011	Data packet PID odd
Handshake	ACK	b0010	Receiver accepts error free data packet
	NAK	b1010	Rx device cannot accept data or Tx device cannot send data
	STALL	b1110	Endpoint is stalled
Special	PRE	b1100	Host-issued preamble. Enables downstream bus traffic to low speed devices.

PIDs are divided into four coding groups: token, data, handshake, and special, with the first two transmitted PID bits (PID[1:0]) indicating which group. This accounts for the distribution of PID codes.

#### 5.15.4.4 Address Fields

Function endpoints are addressed using two fields: the function address field and the endpoint field.

**Table 5-67. Address Field**

Bit	Data Sent	Bit	Data Sent
0	ADDR 0	4	ADDR 4
1	ADDR 1	5	ADDR 5
2	ADDR 2	6	ADDR 6
3	ADDR 3		

##### Address Field

The function address (ADDR) field specifies the function, via its address, that is either the source or destination of a data packet, depending on the value of the token PID. As shown in [Table 5-67](#), a total of 128 addresses are specified as ADDR[6:0]. The ADDR field is specified for IN, SETUP, and OUT tokens.

##### Endpoint Field

An additional four-bit endpoint (ENDP) field, shown in [Table 5-68](#), permits more flexible addressing of functions in which more than one sub-channel is required. Endpoint numbers are function specific. The endpoint field is defined for IN, SETUP, and OUT token PIDs only.

**Table 5-68. Endpoint Field**

Bit	Data Sent
0	ENDP 0
1	ENDP 1
2	ENDP 2
3	ENDP 3

#### 5.15.4.5 Frame Number Field

The frame number field is an 11-bit field that is incremented by the host on a per frame basis. The frame number field rolls over upon reaching its maximum value of x7FF, and is sent only for SOF tokens at the start of each frame.

#### 5.15.4.6 Data Field

The data field may range from 0 to 1023 bytes and must be an integral numbers of bytes. Data bits within each byte are shifted out LSB first.

#### 5.15.4.7 Cyclic Redundancy Check (CRC)

CRC is used to protect the all non-PID fields in token and data packets. In this context, these fields are considered to be protected fields. The PID is not included in the CRC check of a packet containing CRC. All CRCs are generated over their respective fields in the transmitter before bit stuffing is performed. Similarly, CRCs are decoded in the receiver after stuffed bits have been removed. Token and data packet CRCs provide 100% coverage for all single and double bit errors. A failed CRC is considered to indicate that one or more of the protected fields is corrupted and causes the receiver to ignore those fields, and, in most cases, the entire packet.

## 5.15.5 Packet Formats

### 5.15.5.1 Token Packets

Table 5-69 shows the field formats for a token packet. A token consists of a PID, specifying either IN, OUT, or SETUP packet type, and ADDR and ENDP fields. For OUT and SETUP transactions, the address and endpoint fields uniquely identify the endpoint that receives the subsequent data packet. For IN transactions, these fields uniquely identify which endpoint should transmit a data packet. Only the ICH can issue token packets. IN PIDs define a data transaction from a function to the ICH. OUT and SETUP PIDs define data transactions from the ICH to a function.

Token packets have a five-bit CRC which covers the address and endpoint fields as shown above. The CRC does not cover the PID, which has its own check field. Token and SOF packets are delimited by an EOP after three bytes of packet field data. If a packet decodes as an otherwise valid token or SOF but does not terminate with an EOP after three bytes, it must be considered invalid and ignored by the receiver.

**Table 5-69. Token Format**

Packet	Width
PID	8 bits
ADDR	7 bits
ENDP	4 bits
CRC5	5 bits

### 5.15.5.2 Start of Frame Packets

Table 5-70 shows a start of frame (SOF) packet. SOF packets are issued by the host at a nominal rate of once every 1.00 ms 0.05. SOF packets consist of a PID indicating packet type followed by an 11-bit frame number field.

The SOF token comprises the token-only transaction that distributes a start of frame marker and accompanying frame number at precisely timed intervals corresponding to the start of each frame. All full speed functions, including hubs, must receive and decode the SOF packet. The SOF token does not cause any receiving function to generate a return packet; therefore, SOF delivery to any given function cannot be guaranteed. The SOF packet delivers two pieces of timing information. A function is informed that a start of frame has occurred when it detects the SOF PID. Frame timing sensitive functions, which do not need to keep track of frame number, need only decode the SOF PID; they can ignore the frame number and its CRC. If a function needs to track frame number, it must comprehend both the PID and the time stamp.

**Table 5-70. SOF Packet**

Packet	Width
PID	8 bits
Frame Number	11 bits
CRC5	5 bits

### 5.15.5.3 Data Packets

A data packet consists of a PID, a data field, and a CRC as shown in [Table 5-71](#). There are two types of data packets, identified by differing PIDs: DATA0 and DATA1. Two data packet PIDs are defined to support data toggle synchronization.

Data must always be sent in integral numbers of bytes. The data CRC is computed over only the data field in the packet and does not include the PID, which has its own check field.

**Table 5-71. Data Packet Format**

Packet	Width
PID	8 bits
DATA	0-1023 bytes
CRC16	16 bits

### 5.15.5.4 Handshake Packets

Handshake packets consist of only a PID. Handshake packets are used to report the status of a data transaction and can return values indicating successful reception of data, flow control, and stall conditions. Only transaction types that support flow control can return handshakes. Handshakes are always returned in the handshake phase of a transaction and may be returned, instead of data, in the data phase. Handshake packets are delimited by an EOP after one byte of packet field. If a packet is decoded as an otherwise valid handshake but does not terminate with an EOP after one byte, it must be considered invalid and ignored by the receiver.

There are three types of handshake packets:

- **ACK** indicates that the data packet was received without bit stuff or CRC errors over the data field and that the data PID was received correctly. An ACK handshake is applicable only in transactions in which data has been transmitted and where a handshake is expected. ACK can be returned by the host for IN transactions and by a function for OUT transactions.
- **NAK** indicates that a function was unable to accept data from the host (OUT) or that a function has no data to transmit to the host (IN). NAK can only be returned by functions in the data phase of IN transactions or the handshake phase of OUT transactions. The host can never issue a NAK. NAK is used for flow control purposes to indicate that a function is temporarily unable to transmit or receive data, but will eventually be able to do so without need of host intervention. NAK is also used by interrupt endpoints to indicate that no interrupt is pending.
- **STALL** is returned by a function in response to an IN token or after the data phase of an OUT. STALL indicates that a function is unable to transmit or receive data, and that the condition requires host intervention to remove the stall. Once a function's endpoint is stalled, the function must continue returning STALL until the condition causing the stall has been cleared through host intervention. The host is not permitted to return a STALL under any condition.

### 5.15.5.5 Handshake Responses

#### IN Transaction

A function may respond to an IN transaction with a STALL or NAK. If the token received was corrupted, the function issues no response. If the function can transmit data, it issues the data packet. The ICH, as the USB host, can return only one type of handshake on an IN transaction, an ACK. If it receives a corrupted data, or cannot accept data due to a condition such as an internal buffer overrun, it discards the data and issues no response.

### OUT Transaction

A function may respond to an OUT transaction with a STALL, ACK, or NAK. If the transaction contained corrupted data, it issues no response.

### SETUP Transaction

Setup defines a special type of host to function data transaction which permits the host to initialize an endpoint's synchronization bits to those of the host. Upon receiving a Setup transaction, a function must accept the data. Setup transactions cannot be STALLED or NAKed and the receiving function must accept the Setup transfer's data. If a non-control endpoint receives a SETUP PID, it must ignore the transaction and return no response.

## 5.15.6 USB Interrupts

There are two general groups of USB interrupt sources, those resulting from execution of transactions in the schedule, and those resulting from an ICH operation error. All transaction-based sources can be masked by software through the ICH's Interrupt Enable register. Additionally, individual transfer descriptors can be marked to generate an interrupt on completion.

When the ICH drives an interrupt for USB, it drives the PIRQD# pin active for interrupts occurring due to ports 0 and 1 until all sources of the interrupt are cleared.

### 5.15.6.1 Transaction Based Interrupts

These interrupts are not signaled until after the status for the last complete transaction in the frame has been written back to host memory. This guarantees that software can safely process through (Frame List Current Index -1) when it is servicing an interrupt.

#### CRC Error / Time-out

A CRC/Time-out error occurs when a packet transmitted from the ICH to a USB device or a packet transmitted from a USB device to the ICH generates a CRC error. The ICH is informed of this event by a time-out from the USB device or by the ICH's CRC checker generating an error on reception of the packet. Additionally, a USB bus time-out occurs when USB devices do not respond to a transaction phase within 19 bit times of an EOP. Either of these conditions cause the C\_ERR field of the TD to decrement.

When the C\_ERR field decrements to zero, the following occurs:

- The Active bit in the TD is cleared
- The Stalled bit in the TD is set
- The CRC/Time-out bit in the TD is set.
- At the end of the frame, the USB Error Interrupt bit is set in the HC status register.

If the CRC/Time out interrupt is enabled in the Interrupt Enable register, a hardware interrupt is signaled to the system.

### Interrupt on Completion

Transfer Descriptors contain a bit that can be set to cause an interrupt on their completion. The completion of the transaction associated with that block causes the USB Interrupt bit in the HC Status Register to be set at the end of the frame in which the transfer completed. When a TD is encountered with the IOC bit set to 1, the IOC bit in the HC Status register is set to 1 at the end of the frame if the active bit in the TD is set to 0 (even if it was set to zero when initially read).

If the IOC Enable bit of Interrupt Enable register (bit 2 of I/O offset 04h) is set, a hardware interrupt is signaled to the system. The USB Interrupt bit in the HC status register is set either when the TD completes successfully or because of errors. If the completion is because of errors, the USB Error bit in the HC status register is also set.

### Short Packet Detect

A transfer set is a collection of data which requires more than 1 USB transaction to completely move the data across the USB. An example might be a large print file which requires numerous TDs in multiple frames to completely transfer the data. Reception of a data packet that is less than the endpoint's Max Packet size during Control, Bulk or Interrupt transfers signals the completion of the transfer set, even if there are active TDs remaining for this transfer set. Setting the SPD bit in a TD indicates to the HC to set the USB Interrupt bit in the HC status register at the end of the frame in which this event occurs. This feature streamlines the processing of input on these transfer types. If the Short Packet Interrupt Enable bit in the Interrupt Enable register is set, a hardware interrupt is signaled to the system at the end of the frame where the event occurred.

### Serial Bus Babble

When a device transmits on the USB for a time greater than its assigned Max Length, it is said to be babbling. Since isochrony can be destroyed by a babbling device, this error results in the Active bit in the TD being cleared to 0 and the Stalled and Babble bits being set to one. The C\_ERR field is not decremented for a babble. The USB Error Interrupt bit in the HC Status register is set to 1 at the end of the frame. A hardware interrupt is signaled to the system.

If an EOF babble was caused by the ICH (due to incorrect schedule for instance), the ICH forces a bit stuff error followed by an EOP and the start of the next frame.

### Stalled

This event indicates that a device/endpoint returned a STALL handshake during a transaction or that the transaction ended in an error condition. The TDs Stalled bit is set and the Active bit is cleared. Reception of a STALL does not decrement the error counter. A hardware interrupt is signaled to the system.

### Data Buffer Error

This event indicates that an overrun of incoming data or a under-run of outgoing data has occurred for this transaction. This would generally be caused by the ICH not being able to access required data buffers in memory within necessary latency requirements. Either of these conditions cause the C\_ERR field of the TD to be decremented.

When C\_ERR decrements to zero, the Active bit in the TD is cleared, the Stalled bit is set, the USB Error Interrupt bit in the HC Status register is set to 1 at the end of the frame and a hardware interrupt is signaled to the system.

### Bit Stuff Error

A bit stuff error results from the detection of a sequence of more than 6 ones in a row within the incoming data stream. This causes the C\_ERR field of the TD to be decremented. When the C\_ERR field decrements to zero, the Active bit in the TD is cleared to 0, the Stalled bit is set to 1, the USB Error Interrupt bit in the HC Status register is set to 1 at the end of the frame, and a hardware interrupt is signaled to the system.

## 5.15.6.2 Non-Transaction Based Interrupts

If an ICH process error or system error occur, the ICH halts and immediately issues a hardware interrupt to the system.

### Resume Received

This event indicates that the ICH received a RESUME signal from a device on the USB bus during a global suspend. If this interrupt is enabled in the Interrupt Enable register, a hardware interrupt is signaled to the system allowing the USB to be brought out of the suspend state and returned to normal operation.

### ICH Process Error

The HC monitors certain critical fields during operation to ensure that it does not process corrupted data structures. These include checking for a valid PID and verifying that the MaxLength field is less than 1280. If it detects a condition that would indicate that it is processing corrupted data structures, it immediately halts processing, sets the HC Process Error bit in the HC Status register, and signals a hardware interrupt to the system.

This interrupt cannot be disabled through the Interrupt Enable register.

### Host System Error

The ICH sets this bit to 1 when a PCI Parity error, PCI Master Abort, or PCI Target Abort occur. When this error occurs, the ICH clears the Run/Stop bit in the Command register to prevent further execution of the scheduled TDs. This interrupt cannot be disabled through the Interrupt Enable register.

## 5.15.7 USB Power Management

The Host Controller can be put into a suspended state and its power can be removed. This requires that certain bits of information are retained in the resume power plane of the ICH so that a device on a port may wake the system. Such a device may be a fax-modem, which wakes up the machine to receive a fax or take a voice message. The following bits in I/O space are to be maintained when the ICH enters a low power state:

**Table 5-72. Bits to be Maintained in Low Power States**

Register	Offset	Bit	Description
Command	00h	3	Enter Global Suspend Mode (EGSM)
Status	02h	2	Resume Detect
Port Status and Control	10h & 12h	2	Port Enabled/Disabled
		6	Resume Detect
		8	Low Speed Device Attached
		12	Suspend

When the ICH detects a resume event on any of its ports, it sets the USB\_STS bit in ACPI space. If USB is enabled as a wake/break event, the system wakes up and an SCI is generated.

## 5.15.8 USB Legacy Keyboard Operation

When a USB keyboard is plugged into the system and a standard keyboard is not plugged in, the system may not boot, and DOS legacy software will not run, because the keyboard will not be identified. The ICH implements a series of trapping operations which will snoop accesses that go to the keyboard controller and put the expected data from the USB keyboard into the keyboard controller.

**Note:** The scheme described below assumes that the keyboard controller (8042 or equivalent) is on the LPC bus.

This legacy operation is performed through SMM space.

Figure 5-16 shows the Enable and Status path. The latched SMI source (60R, 60W, 64R, 64W) is available in the Status Register. Because the enable is after the latch, it is possible to check for other events that didn't necessarily cause an SMI. It is the software's responsibility to logically AND the value with the appropriate enable bits.

Note also that the SMI is generated before the PCI cycle completes (e.g., before TRDY# goes active) to ensure that the processor does not complete the cycle before the SMI is observed.

The logic will also need to block the accesses to the 8042. If there is an external 8042, this is accomplished by not activating the 8042 CS. This is done by logically ANDing the 4 enables (60R, 60W, 64R, 64W) with the 4 types of accesses to determine if 8042CS should go active. An additional term is required for the "Pass-through" case. The state table for the diagram is shown in Table 5-73.



Figure 5-16. USB Legacy Keyboard Flow Diagram

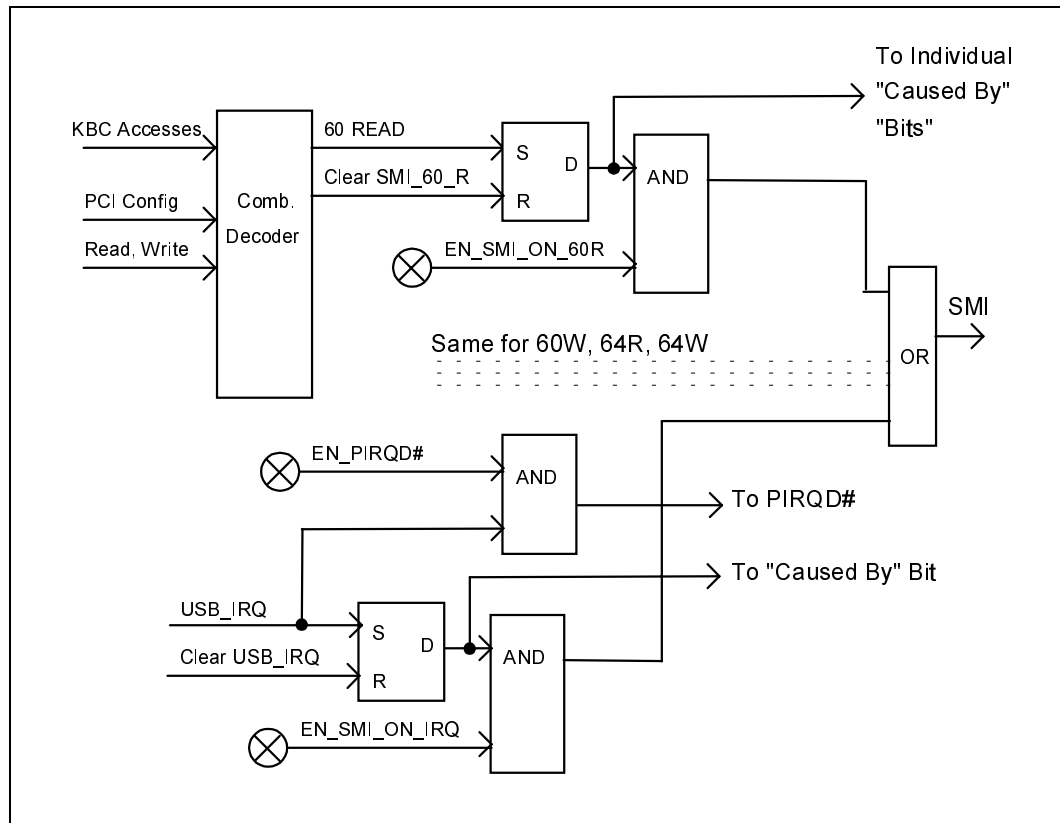


Table 5-73. USB Legacy Keyboard State Transitions

Current State	Action	Data Value	Next State	Comment
IDLE	64h / Write	D1h	GateState1	Standard D1 command. Cycle passed through to 8042. SMI# does not go active. PSTATE goes to 1.
IDLE	64h / Write	Not D1h	IDLE	USB_LEGKEY[bit 3] determines if cycle passed through to 8042 and if SMI# is generated.
IDLE	64h / Read	N/A	IDLE	USB_LEGKEY[bit 2] determines if cycle passed through to 8042 and if SMI# is generated.
IDLE	60h / Write	Don't Care	IDLE	USB_LEGKEY[bit 1] determines if cycle passed through to 8042 and if SMI# is generated.
IDLE	60h / Read	N/A	IDLE	USB_LEGKEY[bit 0] determines if cycle passed through to 8042 and if SMI# is generated.
GateState1	60h / Write	XXh	GateState2	Cycle passed through to 8042, even if trap enabled in USB_LEGKEY[bit 1]. No SMI# is generated. PSTATE remains 1. If data value is not DFh or DDh, the 8042 may chose to ignore it.
GateState1	64h / Write	D1h	GateState1	Cycle passed through to 8042, even if trap enabled via USB_LEGKEY[bit 3]. No SMI# generated. PSTATE remains 1. Stay in GateState1 because this is part of the double-trigger sequence.
GateState1	64h / Write	Not D1h	IDLE	USB_LEGKEY[bit 3] determines if cycle passed through to 8042 and if SMI# generated. PSTATE goes to 0. If USB_LEGKEY[bit 7] is set, then SMI# should be generated.
GateState1	60h / Read	N/A	IDLE	This is an invalid sequence. USB_LEGKEY[bit 0] determines if cycle passed through to 8042 and if SMI# generated. PSTATE goes to 0. If USB_LEGKEY[bit 7] is set, then SMI# should be generated.
GateState1	64h / Read	N/A	GateState1	Just stay in same state. Generate an SMI# if enabled in USB_LEGKEY[bit 2]. PSTATE remains 1.
GateState2	64 / Write	FFh	IDLE	Standard end of sequence. Cycle passed through to 8042. PSTATE goes to 0. USB_LEGKEY[bit 7] determines if SMI# should be generated.
GateState2	64h / Write	Not FFh	IDLE	Improper end of sequence. USB_LEGKEY[bit 3] determines if cycle passed through to 8042 and if SMI# generated. PSTATE goes to 0. If USB_LEGKEY[bit 7] is set, then SMI# should be generated.
GateState2	64h / Read	N/A	GateState2	Just stay in same state. Generate an SMI# if enabled in USB_LEGKEY[bit 2]. PSTATE remains 1.
GateState2	60h / Write	XXh	IDLE	Improper end of sequence. USB_LEGKEY[bit 1] determines if cycle passed through to 8042 and if SMI# generated. PSTATE goes to 0. If USB_LEGKEY[bit 7] is set, then SMI# should be generated.
GateState2	60h / Read	N/A	IDLE	Improper end of sequence. USB_LEGKEY[bit 0] determines if cycle passed through to 8042 and if SMI# generated. PSTATE goes to 0. If USB_LEGKEY[bit 7] is set, then SMI# should be generated.

## 5.16 SMBus Controller Functional Description (D31:F3)

The ICH provides an SMBus host controller including an SMBus Master interface. The host controller provides a mechanism for the processor to initiate communications with SMBus peripherals (slaves). The ICH also can operate in a mode in which it can communicate with I<sup>2</sup>C compatible devices.

The ICH SMBus logic exists in Device 31:Function 3 PCI configuration space, and consists of a transmit data path and host controller. The transmit data path provides the data flow logic needed to implement the seven different SMBus command protocols and is controlled by the host controller. The ICH SMBus controller logic is clocked by RTC clock.

The programming model of the host controller is combined into two portions: a PCI configuration portion, and a system I/O mapped portion. All static configuration (e.g., the I/O base address) is via the PCI configuration space. Real-time programming of the Host interface is accomplished in system I/O space.

### 5.16.1 Host Controller

The SMBus Host Controller is used to send commands to other SMBus slave devices. Software sets up the host controller with an address, command, and, for writes, data, and then instructs the controller to start. When the controller has finished transmitting data on writes, or receiving data on reads, it generates an SMI# or interrupt, if enabled.

The host controller supports 7 command protocols of the SMBus interface (see System Management Bus Specifications, Rev 1.0): Quick Command, Send Byte, Receive Byte, Write Byte/Word, Read Byte/Word, Process Call, and Block Read/Write.

The SMBus Host Controller requires that the various data and command fields be setup for the type of command to be sent. When software sets the START bit, the SMBus Host Controller performs the requested transaction, and interrupts the processor (or generate an SMI#) when the transaction is completed. Once a START command has been issued, the values of the “active registers” (Host Control, Host Command, Transmit Slave Address, Data 0, Data 1) should not be changed or read until the interrupt status bit (INTR) has been set (indicating the completion of the command). Any register values needed for computation purposes should be saved prior to issuing of a new command, as the SMBus Host Controller will update all registers while completing the new command.

#### 5.16.1.1 Command Protocols

In all of the following commands, the Host Status Register (offset 00h) is used to determine the progress of the command. While the command is in operation, the HOST\_BUSY bit is set. If the command completes successfully and the INTREN bit is set to 1 in the Host Control Register, the INTR bit is set in the Host Status Register. If the device does not respond with an acknowledge, and the transaction times out, the DEV\_ERR bit is set to 1. If software sets the KILL bit to 1 in the Host Control Register while the command is running, the transaction stops and the FAILED bit is set.

### Quick Command

When programmed for a Quick Command, the Transmit Slave Address Register is sent. The format of the protocol is shown in [Table 5-74](#).

**Table 5-74. Quick Protocol**

Bit	Description
1	Start Condition
2:8	Slave Address - 7 bits
9	Read / Write Direction
10	Acknowledge from slave
11	Stop

### Send Byte / Receive Byte

For the Send Byte command, the Transmit Slave Address and Device Command Registers are sent. For the Receive Byte command, the Transmit Slave Address Register is sent. The data received is stored in the DATA0 register.

The Receive Byte is similar to a Send Byte, the only difference is the direction of data transfer. The format of the protocol is shown in [Table 5-75](#).

**Table 5-75. Send / Receive Byte Protocol**

Send Byte Protocol		Receive Byte Protocol	
Bit	Description	Bit	Description
1	Start	1	Start
2:8	Slave Address - 7 bits	2:8	Slave Address - 7 bits
9	Write	9	Read
10	Acknowledge from slave	10	Acknowledge from slave
11:18	Command code - 8 bits	11:18	Data byte from slave
19	Acknowledge from slave	19	NOT Acknowledge
20	Stop	20	Stop

### Write Byte/Word

The first byte of a Write Byte/Word access is the command code. The next 1 or 2 bytes are the data to be written. When programmed for a write byte/word command, the Transmit Slave Address, Device Command, and Data0 Registers are sent. In addition, the Data1 Register is sent on a write word command. The format of the protocol is shown in [Table 5-76](#).

**Table 5-76. Write Byte/Word Protocol**

Write Byte Protocol		Write Word Protocol	
Bit	Description	Bit	Description
1	Start	1	Start
2-8	Slave Address - 7 bits	2:8	Slave Address - 7 bits
9	Write	9	Write
10	Acknowledge from slave	10	Acknowledge from slave
11:18	Command code - 8 bits	11:18	Command code - 8 bits
19	Acknowledge from slave	19	Acknowledge from slave
20:27	Data Byte - 8 bits	20:27	Data Byte Low - 8 bits
28	Acknowledge from Slave	28	Acknowledge from Slave
29	Stop	29:36	Data Byte High - 8 bits
		37	Acknowledge from slave
		38	Stop

### Read Byte/Word

Reading data is slightly more complicated than writing data. First the ICH writes a command to the slave device. Then it follows that command with a repeated start condition to denote a read from that device's address. The slave then returns 1 or 2 bytes of data.

When programmed for the read byte/word command, the Transmit Slave Address and Device Command Registers are sent. Data is received into the DATA0 on the read byte, and the DAT0 and DATA1 registers on the read word. The format of the protocol is shown in [Table 5-77](#).

**Table 5-77. Read Byte/Word Protocol**

Read Byte Protocol		Read Word Protocol	
Bit	Description	Bit	Description
1	Start	1	Start
2:8	Slave Address - 7 bits	2:8	Slave Address - 7 bits
9	Write	9	Write
10	Acknowledge from slave	10	Acknowledge from slave
11:18	Command code - 8 bits	11:18	Command code - 8 bits
19	Acknowledge from slave	19	Acknowledge from slave
20	Repeated Start	20	Repeated Start
21:27	Slave Address - 7 bits	21:27	Slave Address - 7 bits
28	Read	28	Read
29	Acknowledge from slave	29	Acknowledge from slave
30:37	Data from slave - 8 bits	30:37	Data Byte Low from slave - 8 bits
38	NOT acknowledge	38	Acknowledge
39	Stop	39:46	Data Byte High from slave - 8 bits
		47	NOT acknowledge
		48	Stop

## Process Call

The process call is so named because a command sends data and waits for the slave to return a value dependent on that data. The protocol is simply a Write Word followed by a Read Word, but without a second command or stop condition.

When programmed for the Process Call command, the ICH transmits the Transmit Slave Address, Host Command, DATA0 and DATA1 registers. Data received from the device is stored in the DATA0 and DATA1 registers. The format of the protocol is shown in [Table 5-78](#).

**Note:** For process call command, the value written into bit 0 of the Transmit Slave Address Register (SMB I/O register, offset 04h) needs to be 0.

**Table 5-78. Process Call Protocol**

Bit	Description
1	Start
2:8	Slave Address - 7 bits
9	Write
10	Acknowledge from Slave
11:18	Command code - 8 bits
19	Acknowledge from slave
20:27	Data byte Low - 8 bits
28	Acknowledge from slave
29:36	Data Byte High - 8 bits
37	Acknowledge from slave
38	Repeated Start
39:45	Slave Address - 7 bits
46	Read
47	Acknowledge from slave
48:55	Data Byte Low from slave - 8 bits
56	Acknowledge
57:64	Data Byte High from slave - 8 bits
65	NOT acknowledge
66	Stop

## Block Read/Write

The Block Write begins with a slave address and a write condition. After the command code, the ICH issues a byte count that describes how many more bytes will follow in the message. If a slave had 20 bytes to send, the first byte would be the number 20 (14h), followed by the 20 bytes of data. The byte count may not be 0.

Instead of a 32-byte buffer for Block Read/Write command, the ICH implements the Block Data Byte register (D31:F3, I/O offset 07h) for Block Read/Write command.

When programmed for a block write command, the Transmit Slave Address, Host Command, and Data0 (count) registers are sent. Data is then sent from the Block Data Byte register. After the byte has been sent, the ICH sets the BYTE\_DONE\_STS bit to 1 in the Host Status register. If there are more bytes to send, the software will write the next byte to the Block Data Byte register and will also clear the BYTE\_DONE\_STS bit. The ICH will then send the next byte.

On block read commands, after the byte count is stored in the DATA 0 register, the first data byte goes in the Block Data Byte register; the ICH then sets the BYTE\_DONE\_STS bit to 1 and generates an SMI# or interrupt. The SMI# or interrupt handler reads the byte and then clears the BYTE\_DONE\_STS bit to allow the next byte to be read into the Block Data Byte register. Note that after receiving data byte N-1 of the block, the software needs to set the LAST\_BYTE bit in the Host Control Register; this allows the ICH to send a NOT ACK (instead of an ACK) after receiving the last data byte (byte N) of the block.

After each byte of a block message, the ICH sets the BYTE\_DONE\_STS bit and generates an interrupt or SMI#. Software clears the BYTE\_DONE\_STS bit before the next transfer occurs. When the interrupt handler clears the BYTE\_DONE\_STS bit after the last byte has been transferred, the ICH sets the INTR bit and generates another interrupt to signal the end of the block transfer. Thus, for a block message of n bytes, the ICH generates n+1 interrupts. The interrupt handler needs to be implemented to handle all of these interrupts.

The format of the Block Read/Write protocol is shown in [Table 5-79](#).

**Note:** For Block Write, if the I<sup>2</sup>C\_EN bit is set, the format of the command changes slightly. The ICH still sends the number of bytes indicated in the DATA0 register. However, it does not send the contents of the Data 0 register as part of the message.



**Table 5-79. Block Read/Write Protocol**

Block Write Protocol		Block Read Protocol	
Bit	Description	Bit	Description
1	Start	1	Start
2:8	Slave Address - 7 bits	2:8	Slave Address - 7 bits
9	Write	9	Write
10	Acknowledge from slave	10	Acknowledge from slave
11:18	Command code - 8 bits	11:18	Command code - 8 bits
19	Acknowledge from slave	19	Acknowledge from slave
20:27	Byte Count - 8 bits (Skip this step if I <sup>2</sup> C_En bit set)	20	Repeated Start
28	Acknowledge from Slave (Skip this step if I2C_EN bit set)	21:27	Slave Address - 7 bits
29:36	Data Byte 1 - 8 bits	28	Read
37	Acknowledge from Slave	29	Acknowledge from slave
38:45	Data Byte 2 - 8 bits	30:37	Byte Count from slave - 8 bits
46	Acknowledge from slave	38	Acknowledge
...	Data Bytes / Slave Acknowledges...	39:46	Data Byte 1 from slave - 8 bits
...	Data Byte N - 8 bits	47	Acknowledge
...	Acknowledge from Slave	48:55	Data Byte 2 from slave - 8 bits
...	Stop	56	Acknowledge
		...	Data Bytes from slave/Acknowledge
		...	Data Byte N from slave - 8 bits
		...	NOT Acknowledge
		...	Stop

### I<sup>2</sup>C Read

This command allows the ICH to perform block reads to certain I<sup>2</sup>C devices (e.g., serial E<sup>2</sup>PROMs). The SMBus Block Read sends both the 7-bit address, as well as the Command field. This command field could be used as the extended 10-bit address for accessing I<sup>2</sup>C devices that use 10-bit addressing.

However, this does not allow access to devices using the I<sup>2</sup>C “Combined Format” that has data bytes after the address. Typically, these data bytes correspond to an offset (address) within the serial memory chips.

**Note:** This new command is supported independent of the setting of the I2C\_EN bit.

For I<sup>2</sup>C Read command, the value written into bit 0 of the Transmit Slave Address Register (SMB I/O register, offset 04h) needs to be 0. The format that is used for the new command is shown in [Table 5-80](#):

Table 5-80. I<sup>2</sup>C Block Read

Bit	Description
1	Start
2:8	Slave Address - 7 bits
9	Write
10	Acknowledge from slave
11:18	Command code - 8 bits
19	Acknowledge from slave
20:27	Send DATA0 register
28	Acknowledge from slave
29:36	Send DATA1 register
37	Acknowledge from slave
38	Repeated start
39:45	Slave Address - 7 bits
46	Read
47	Acknowledge from slave
48:55	Data byte from slave
56	Acknowledge
57:64	Data byte 2 from slave - 8 bits
65	Acknowledge
-	Data bytes from slave / Acknowledge
-	Data byte N from slave - 8 bits
-	NOT Acknowledge
-	Stop

The ICH continues reading data from the peripheral until the NAK is received.

### 5.16.1.2 I<sup>2</sup>C Behavior

When the I<sup>2</sup>C\_EN bit is set to 1, the ICH SMBus logic will instead be set to communicate with I<sup>2</sup>C devices. This forces the following changes:

1. The Process Call command skips the Command code (and its associated acknowledge)
2. The Block Write command skips sending the Byte Count (DATA0)

In addition, the ICH supports the new I<sup>2</sup>C Read command. This is independent of the I<sup>2</sup>C\_EN bit.

## 5.16.2 Bus Arbitration

Several masters may attempt to get on the bus at the same time by driving the SMBDATA line low to signal a start condition. The ICH must continuously monitor the SMBDATA line. When the ICH is attempting to drive the bus to a '1' by letting go of the SMBDATA line, and it samples SMBDATA low, then some other master is driving the bus and the ICH must stop transferring data.

If the ICH loses arbitration, the condition is called a collision. The ICH sets the BUS\_ERR bit to 1 in the Host Status Register, and if enabled, generates an interrupt or SMI#. The processor is responsible for restarting the transaction.

When the ICH is a SMBus master, it drives the clock. When the ICH is sending address or command as an SMBus master, or data bytes as a master on writes, it drives data relative to the clock it is also driving. It does not start toggling the clock until the start or stop condition meets proper setup and hold time. The ICH also guarantees minimum time between SMBus transactions as a master.

### Clock Stretching

Some devices may not be able to handle clock toggling at the rate that the ICH, as an SMBus master, would like. The devices have the capability of stretching the low time of the clock. When the ICH attempts to release the clock (allowing the clock to go high), the clock remains low for an extended period of time.

The ICH monitors the SMBus clock line after it releases the bus to determine whether to enable the counter for the high time of the clock. While the bus is still low, the high time counter must not be enabled. Similarly, the low period of the clock can be stretched by an SMBus master, if it is not ready to send or receive data.

The ICH never stretches the low period of the clock. It will always have the data to transfer on writes and it should always have a spot for the data on reads.

### Bus Time Out (ICH as SMBus Master)

If there is an error in the transaction, such that an SMBus device does not signal an acknowledge, or holds the clock lower than the allowed time-out time, the transaction times out. The ICH discards the cycle, and sets the DEV\_ERR bit to 1. The time-out minimum is 25 ms. The time-out counter inside the ICH starts after the first bit of data is transferred by the ICH and it is waiting for a response. The 25 ms is a count of 800 RTC clocks. The time-out counter does not count when the BYTE\_DONE\_STS bit (SMBus I/O offset 00h, bit 7) is set to 1 and the SECOND\_TO\_STS bit (TCO I/O offset 06h, bit 1) is not set to 1.

## 5.16.3 Interrupts / SMI#

The ICH SMBus controller uses PIRQB# as its interrupt pin. However, the system can alternatively be set up to generate SMI# instead of an interrupt, by setting the SMBUS\_SMI\_EN bit.

## 5.16.4 SMBALERT#

SMBALERT# is multiplexed with GPIO[11]. When enabled and the signal is asserted, the ICH can generate an interrupt, an SMI#, or a wake event from S1-S4.

## 5.17 ICH AC'97 2.1 Functional Description

This section describes the AC-link interface including an overview of the AC-link implementation in the ICH and a detailed feature list of what is supported. Also included in this section is a recommended feature list for AC'97 codecs. These are features that Intel recommends for a codec designed for the ICH AC'97 controller.

For further information on the operation of the AC-link protocol, refer to the AC'97 specification. References to AC'97 in this document refer to the AC'97 2.1 specification.

**Note:** Poor performing PCI devices that cause long latencies (numerous retries) to CPU-to-PCI locked cycles may starve isochronous transfers between USB or AC'97 devices and memory. This will result in overrun or underrun, causing reduced quality of the isochronous data (e.g., audio).

The ICH supports the following features:

- Independent PCI functions for audio and modem
- Independent channels for PCM in and PCM out, microphone in
- Left and right audio channels
- Single modem line
- 16 bit sample resolution
- Multiple sample rates
- 16 GPIOs
- Dual codec configuration with two SDIN pins

Table 5-81 shows a detailed list of features supported by the ICH AC'97 digital controller.

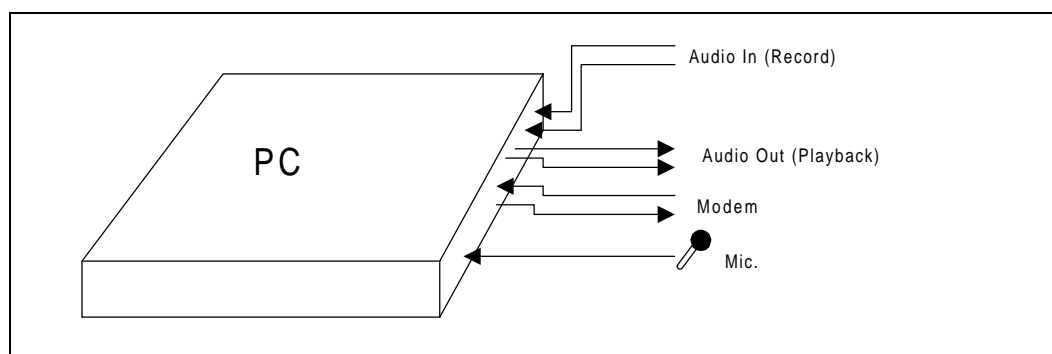
**Table 5-81. Featured Supported by ICH**

Feature	Description
System Interface	<ul style="list-style-type: none"> <li>• Isochronous low latency bus master memory interface</li> <li>• Scatter/gather support for word-aligned buffers in memory (all mono or stereo 16-bit data types are supported, no 8-bit data types are supported)</li> <li>• Data buffer size in system memory from 3 to 65535 samples per input</li> <li>• Data buffer size in system memory from 0 to 65535 samples per output</li> <li>• Independent PCI audio and modem functions with configuration and IO spaces</li> <li>• AC'97 codec registers are shadowed in system memory via driver (not PCI IO space)</li> <li>• AC'97 codec register accesses are serialized via semaphore bit in PCI IO space (new accesses are not allowed while a prior access is still in progress)</li> </ul>
Power Management	<ul style="list-style-type: none"> <li>• Power management via ACPI control methods Support for audio states: <i>D0, D2, D3hot, D3cold</i> Support for modem states: <i>D0, D3hot, D3cold</i></li> <li>• SCI event generation for PCI modem function with wake-up from <i>D3cold</i></li> <li>• Independent codec D3 w/ Link down event, synchronized via two bit semaphore (in PCI IO Space)</li> </ul>

**Table 5-81. Featured Supported by ICH**

Feature	Description
PCI Audio Function	<ul style="list-style-type: none"> <li>• Read/write access to audio codec registers 00h-3Ah and vendor registers 5Ah-7Eh</li> <li>• 16-bit stereo PCM output, up to 48 kHz (L,R channels on slots 3,4)</li> <li>• 16-bit stereo PCM input, up to 48 kHz (L,R channels on slots 3,4)</li> <li>• 16-bit mono mic in w/ or w/o mono mix, up to 48 kHz (L,R channel, slots 3,4) (mono mix supports mono hardware AEC reference for speakerphone)</li> <li>• 16-bit mono PCM input, up to 48 kHz from dedicated mic ADC (slot 6) (supports speech recognition or stereo hardware AEC ref for speakerphone)</li> <li>• During cold reset AC_RST# is held low until after POST and software deassertion of AC_RST# (supports passive PC_BEEP to speaker connection during POST)</li> </ul>
PCI Modem function	<ul style="list-style-type: none"> <li>• Read/write access to modem codec registers 3Ch-58h and vendor registers 5Ah-7Eh</li> <li>• 16-bit mono modem line1 output and input, up to 48 kHz (slot 5)</li> <li>• Low latency GPIO[15:0] via hardwired update between slot 12 and PCI IO register</li> <li>• Programmable PCI interrupt on modem GPIO input changes via slot 12 GPIO_INT</li> <li>• SCI event generation on primary or secondary SDIN wake-up signal</li> </ul>
AC-link	<ul style="list-style-type: none"> <li>• AC'97 2.1 compliant AC-link interface</li> <li>• Variable sample rate output support via AC'97 SLOTREQ protocol (slots 3,4,5)</li> <li>• Variable sample rate input support via monitoring of slot valid tag bits (slots 3,4,5,6)</li> <li>• 3.3 V digital operation meets AC'97 2.1 DC switching levels</li> <li>• AC-Link IO driver capability meets AC'97 2.1 dual codec specifications</li> <li>• Codec register status reads must be returned with data in the next AC-link frame, per AC'97 2.1 spec.</li> </ul>
Multiple Codec	<ul style="list-style-type: none"> <li>• Dual codec addressing: All AC'97 codec register accesses are addressable to codec ID 00 (primary) or codec ID 01 (secondary)</li> <li>• Dual codec receive capability via primary and secondary SDIN pins (primary, secondary SDIN frames are internally validated, synch'd, and OR'd)</li> </ul>

Note that throughout this document, references to D31:F5 indicate that the audio function exists in PCI device 31, function 5. References to D31:F6 indicate that the modem function exists in PCI device 31, function 5.

**Figure 5-17. ICH Based AC'97 2.1**


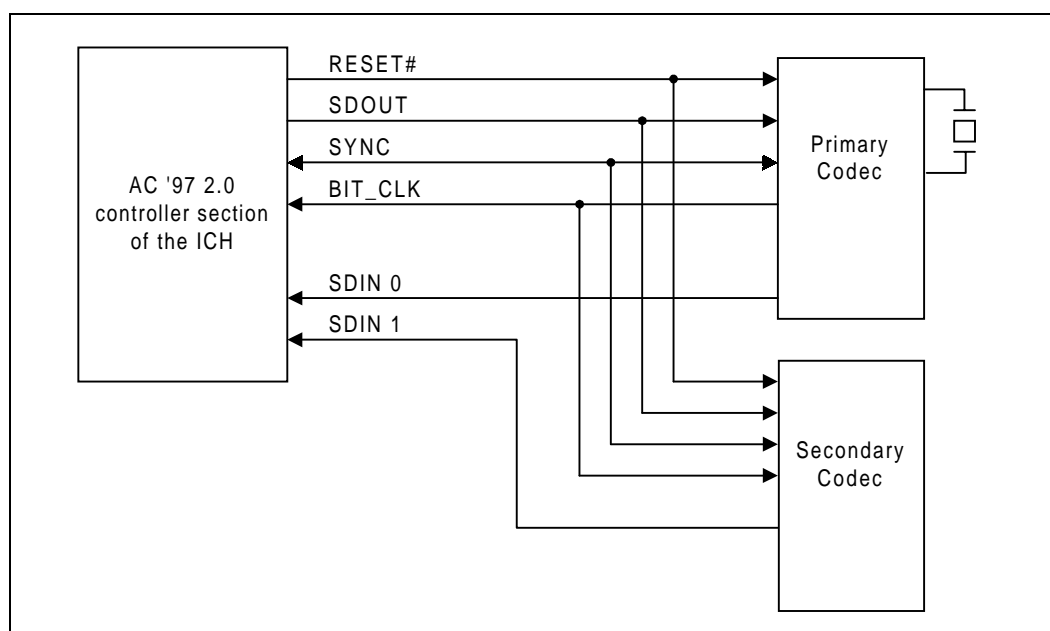
### 5.17.1 AC-link Overview

The ICH is an AC'97 2.1 compliant controller that communicates with companion codecs via a digital serial link called the AC-link. All digital audio/modem streams and command/status information is communicated over the AC-link.

The AC-link is a bi-directional, serial PCM digital stream. It handles multiple input and output data streams, as well as control register accesses, employing a time division multiplexed (TDM) scheme. The AC-link architecture provides for data transfer through individual frames transmitted in a serial fashion. Each frame is divided into 12 outgoing and 12 incoming data streams, or slots. The architecture of the ICH AC-link allows a maximum of two codecs to be connected.

Figure 5-18 shows a two codec topology of the AC-link for the ICH in a serial fashion.

Figure 5-18. AC'97 2.1 Controller-Codec Connection



The AC-link consists of a five signal interface between the controller and codec. Table 5-82 indicates the AC-link signal pins on the ICH and their associated power wells.

Table 5-82. AC'97 Signals

Signal Name	Type	Power Well*	Description
AC_RESET#	Output	Resume	Master hardware reset
AC_SYNC	Output	Core	48 kHz fixed rate sample sync
AC_BIT_CLK	Input	Core	12.288 MHz Serial data clock
AC_SDOUT	Output	Core	Serial output data
AC_SDIN 0	Input	Resume	Serial input data
AC_SDIN 1	Input	Resume	Serial input data

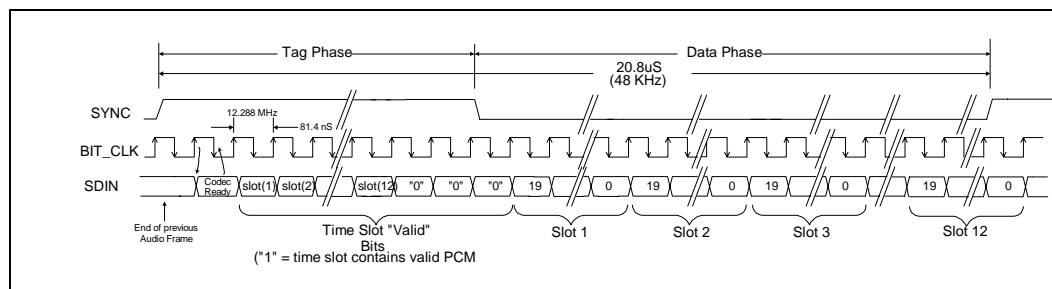
**NOTE:** Power well voltage levels are 3.3V

ICH core well outputs may be used as strapping options for the ICH, sampled during system reset. These signals may have weak pullups/pulldowns; however, this will not interfere with link operation. ICH inputs integrate weak pulldowns to prevent floating traces when a secondary codec is not attached. When the Shut Off bit in the control register is set, all buffers will be turned off and the pins will be held in a steady state, based on these pullups/pulldowns.

BIT\_CLK is fixed at 12.288 MHz and is sourced by the primary codec. It provides the necessary clocking to support the twelve 20-bit time slots. AC-link serial data is transitioned on each rising edge of BIT\_CLK. The receiver of AC-link data samples each serial bit on the falling edge of BIT\_CLK.

Synchronization of all AC-link data transactions is signaled by the AC'97 controller via the AC\_SYNC signal, as shown in Figure 5-19. The primary codec drives the serial bit clock onto the AC-link, which the AC'97 controller then qualifies with the AC\_SYNC signal to construct data frames. AC\_SYNC, fixed at 48 KHz, is derived by dividing down BIT\_CLK. AC\_SYNC remains high for a total duration of 16 BIT\_CLKs at the beginning of each frame. The portion of the frame where AC\_SYNC is high is defined as the tag phase. The remainder of the frame where AC\_SYNC is low is defined as the data phase. Each data bit is sampled on the falling edge of BIT\_CLK.

**Figure 5-19. AC-link Protocol**



The ICH has two SDIN pins allowing a single or dual codec configuration. When two codecs are connected, the primary and secondary codecs can be connected to either SDIN line; however, it is recommended that the primary codec be attached to SDIN [0]. The ICH does not distinguish between primary and secondary codecs on its SDIN[1:0] pins; however, the registers do distinguish between SDIN[0] and SDIN[1] for wake events, etc. The primary codec can be an AC (audio codec), MC (modem codec), or AMC (audio/modem codec) device. The secondary codec can only be an MC device.

Valid codec configurations include the following:

- AC (Primary)
- MC (Primary)
- AC (Primary) + MC (Secondary)
- AMC (Primary)

The ICH does not support optional test modes as outlined in the AC'97 specification.

## 5.17.2 AC-link Output Frame (SDOUT)

A new audio output frame begins with a low to high transition of AC\_SYNC. AC\_SYNC is synchronous to the rising edge of BIT\_CLK. On the immediately following falling edge of BIT\_CLK, the codec samples the assertion of AC\_SYNC. This falling edge marks the time when both sides of AC-link are aware of the start of a new frame. On the next rising edge of BIT\_CLK, the ICH transitions SDOUT into the first bit position of slot 0, or the valid frame bit. Each new bit position is presented to the AC-link on a rising edge of BIT\_CLK and subsequently sampled by the codec on the following falling edge of BIT\_CLK. This sequence ensures that data transitions and subsequent sample points for both incoming and outgoing data streams are time aligned.

The output frame data phase corresponds to the multiplexed bundles of all digital output data targeting codec DAC inputs and control registers. Each output frame supports up to twelve outgoing data time slots. The ICH generates 16-bit samples and, in compliance with the AC'97 specification, pads the 4 least significant bits of valid slots with zeros.

The output data stream is sent with the most significant bit first and all invalid slots are stuffed with zeros. When mono audio sample streams are output from the ICH, software must ensure both left and right sample stream time slots are filled with the same data.

### Output Slot 0: Tag Phase

Slot 0 is considered the tag phase. The tag phase is a special 16 bit time slot where each bit conveys a valid tag for its corresponding time slot within the current frame. A one in a given bit position of slot 0 indicates that the corresponding time slot within the current frame has been assigned to a data stream and contains valid data. If a slot is tagged invalid with a zero in the corresponding bit position of slot 0, the ICH stuffs the corresponding slot with zeros during that slot's active time.

Within slot 0, the first bit is a valid frame bit (slot 0, bit 15) that flags the validity of the entire frame. If the valid frame bit is set to one, this indicates that the current frame contains at least one slot with valid data. When there is no transaction in progress, the ICH deasserts the frame valid bit. Note that after a write to slot 12, that slot will always stay valid, and therefore the frame valid bit will remain set.

The next 12 bit positions of slot 0 (bits [14:3]) indicate which of the corresponding twelve time slots contain valid data. Bits [1:0] of slot 0 are used as codec ID bits to distinguish between separate codecs on the link.

Using the valid bits in the tag phase allows data streams of differing sample rates to be transmitted across the link at its fixed 48 kHz frame rate. The codec can control the output sample rate of the ICH using the SLOTREQ bits as described in the AC'97 specification.

### Output Slot 1: Command Address Port

The command port is used to control features and monitor status of AC'97 functions including, but not limited to, mixer settings and power management. The control interface architecture supports up to 64 16-bit read/write registers, addressable on even byte boundaries. Only the even registers (00h, 02h, etc.) are valid. Output frame slot 1 communicates control register address, and write/read command information.

In the case of the split codec implementation, accesses to the codecs are differentiated by the driver using address offsets 00h - 7Fh for the primary codec and address offsets 80h-FEh for the secondary codec. The differentiation on the link, however, is done via the codec ID bits. See [Section 5.17.4](#) for further details.



### Output Slot 2: Command Data Port

The command data port is used to deliver 16-bit control register write data in the event that the current command port operation is a write cycle as indicated in slot 1, bit 19. If the current command port operation is a read, then the entire slot time is stuffed with 0's by the ICH. Bits [19:4] contain the write data. Bits [3:0] are reserved and are stuffed with zeros.

### Output Slot 3: PCM Playback Left Channel

Output frame slot 3 is the composite digital audio left playback stream. Typically, this slot is composed of standard PCM (.wav) output samples digitally mixed by the host processor. The ICH transmits sample streams of 16 bits and stuffs the remaining bits with zeros.

Data in output slots 3 and 4 from the ICH should be duplicated by software, if there is only a single channel out.

### Output Slot 4: PCM Playback Right Channel

Output frame slot 4 is the composite digital audio right playback stream. Typically, this slot is composed of standard PCM (.wav) output samples digitally mixed by the host processor. The ICH transmits sample streams of 16 bits and stuffs the remaining bits with zeros.

Data in output slots 3 and 4 from the ICH should be duplicated by software if there is only a single channel out.

### Output Slot 5: Modem Codec

Output frame slot 5 contains modem DAC data. The modem DAC output supports 16 bit resolution. At boot time, if the modem codec is supported, the AC'97 controller driver determines the DAC resolution. During normal runtime operation the ICH stuffs trailing bit positions within this time slot with zeros.

### Output Slots 6-11: Reserved

Output frame slots 6-11 are reserved and are always stuffed with 0's by the ICH AC'97 controller.

### Output Slot 12: I/O Control

16 bits of DAA and GPIO control (output) and status (input) have been directly assigned to bits on slot 12 to minimize latency of access to changing conditions.

The value of the bits in this slot are the values written to the GPIO control register at offset 54h and D4h (in the case of a secondary codec) in the modem codec I/O space. The following rules govern the usage of slot 12.

1. Slot 12 is marked invalid by default on coming out of AC-link reset, and will remain invalid until a register write to 54h/D4h.
2. A write to offset 54h/D4h in codec I/O space will cause the write data to be transmitted on slot 12 in the next frame, with slot 12 marked valid, and the address/data information to also be transmitted on slots 1 and 2.
3. After the first write to offset 54h/D4h, slot 12 remains valid for all following frames. The data transmitted on slot 12 is the data last written to offset 54h/D4h. Any subsequent write to the register will cause the new data to be sent out on the next frame.
4. Slot 12 gets invalidated after the following events: PCI reset, AC'97 cold reset, warm reset, and hence a wake from S3, S4, or S5. Slot 12 remains invalid until the next write to offset 54h/D4h.

### 5.17.3 AC-link Input Frame (SDIN)

There are two SDIN lines on the ICH for use with a primary and secondary codec. Each SDIN pin can have a codec attached. Depending upon which codec (AC, MC, or AMC) is attached, various slots will be valid or invalid. The data slots on the two inputs must be completely orthogonal (except for the tag slot 0); that is, no two data slots at the same location will be valid on both lines. This precludes the use of two similar codecs (e.g., two ACs or MCs) that use the same time slots.

The input frame data streams correspond to the multiplexed bundles of all digital input data targeting the AC'97 controller. As in the case for the output frame, each AC-link input frame consists of twelve time slots.

A new audio input frame begins with a low to high transition of AC\_SYNC. AC\_SYNC is synchronous to the rising edge of BIT\_CLK. On the immediately following falling edge of BIT\_CLK, the receiver samples the assertion of AC\_SYNC. This falling edge marks the time when both sides of AC-link are aware of the start of a new audio frame. On the next rising edge of BIT\_CLK, the codec transitions SDIN into the first bit position of slot 0 (codec ready bit). Each new bit position is presented to AC-link on a rising edge of BIT\_CLK, and subsequently sampled by the ICH on the following falling edge of BIT\_CLK. This sequence ensures that data transitions and subsequent sample points for both incoming and outgoing data streams are time aligned.

SDIN data stream must follow the AC'97 specification and be MSB justified with all non-valid bit positions (for assigned and/or unassigned time slots) stuffed with zeros. SDIN data is sampled by the ICH on the falling edge of BIT\_CLK.

#### Input Slot 0: Tag Phase

Input slot 0 consists of a codec ready bit (bit 15), and slot valid bits for each subsequent slot in the frame (bits [14:3]).

The codec ready bit within slot 0 (bit 15) indicates whether the codec on the AC-link is ready for operation. If the codec ready bit in slot 0 is a zero, the codec is not ready for normal operation. When the AC-link codec ready bit is a 1, it indicates that the AC-link and codec control and status registers are in a fully operational state. The codec ready bits are visible through the Global Status register of the ICH. Software must further probe the Powerdown Control/Status register in the codec to determine exactly which subsections, if any, are ready.

Bits [14:3] in slot 0 indicate which slots of the input stream to the ICH contain valid data, just as in the output frame. The remaining bits in this slot are stuffed with zeros.

#### Input Slot 1: Status Address Port / Slot Request Bits

The status port is used to monitor status of codec functions including, but not limited to, mixer settings and power management.

Slot 1 must echo the control register index, for historical reference, for the data to be returned in slot 2, assuming that slots 1 and 2 had been tagged valid by the codec in slot 0.

For multiple sample rate output, the codec examines its sample rate control registers, the state of its FIFOs, and the incoming SDOUT tag bits at the beginning of each audio output frame to determine which SLOTREQ bits to set active (low). SLOTREQ bits asserted during the current audio input frame signal which output slots require data from the controller in the next audio output frame. For fixed 48 kHz operation, the SLOTREQ bits are always set active (low) and a sample is transferred each frame.

For multiple sample rate input, the tag bit for each input slot indicates whether valid data is present or not.

**Table 5-83. Input Slot 1 Bit Definitions**

Bit	Description
19	Reserved (Set to zero)
18:12	Control Register Index (Stuffed with zeros if tagged invalid)
11	Slot 3 Request: PCM Left Channel*
10	Slot 4 Request: PCM Right Channel*
9	Slot 5 Request: Modem Line 1
8:2	Slot Request 6-12: Not Implemented
1:0	Reserved (Stuffed with zeros)

**NOTE:** \*Slot 3 Request and Slot 4 Request bits must be the same value (i.e., set or cleared in tandem).

As shown in [Table 5-83](#), slot 1 delivers codec control register read address and multiple sample rate slot request flags for all output slots of the controller. When a slot request bit is set by the codec, the controller returns data in that slot in the next output frame. Slot request bits for slots 3 and 4 are always set or cleared in tandem (i.e., both are set or cleared).

When set to 1, the input slot 1 tag bit only pertains to Status Address Port data from a previous read. SLOTREQ bits are always valid independent of the slot 1 tag bit.

#### Input Slot 2: Status Data Port

The status data port receives 16-bit control register read data.

Bit [19:4]: Control Register Read Data

Bit [3:0]: Reserved.

#### Input Slot 3: PCM Record Left Channel

Input slot 3 is the left channel input of the codec. The ICH supports 16-bit sample resolution. Samples transmitted to the ICH must be in left/right channel order.

#### Input Slot 4: PCM Record Right Channel

Input slot 4 is the right channel input of the codec. The ICH supports 16-bit sample resolution. Samples transmitted to the ICH must be in left/right channel order.

#### Input Slot 5: Modem Line

Input slot 5 contains MSB justified modem data. The ICH supports 16-bit sample resolution.

#### Input Slot 6: Optional Dedicated Microphone Record Data

Input slot 6 is a third PCM system input channel available for dedicated use by a microphone. This input channel supplements a true stereo output that enables a more precise echo cancellation algorithm for speakerphone applications. The ICH supports 16-bit resolution for slot 6 input.

### Input Slots 7-11: Reserved

Input frame slots 7-11 are reserved for future use and should be stuffed with zeros by the codec, per the AC'97 specification.

### Input Slot 12: I/O status

The status of the GPIOs configured as inputs are to be returned on this slot in every frame. The data returned on the latest frame is accessible to software by reading the register at offset 54h/D4h in the codec I/O space. Only the 16 MSBs are used to return GPI status. Bit 0 of this slot indicates the GPI status. When a GPI changes state, this bit gets set for one frame by the codec. This bit can cause an interrupt to the processor if enabled via the Global Control register.

Reads from 54h/D4h will not be transmitted across the link in slot 1 and 2. The data from the most recent slot 12 is returned on reads from offset 54h/D4h.

## 5.17.4 Register Access

In the ICH implementation of the AC-link, up to two codecs can be connected to the SDOOUT pin. The following mechanism is used to address the primary and secondary codecs individually.

The primary device uses bit 19 of slot 1 as the direction bit to specify read or write. Bits [18:12] of slot 1 are used for the register index. To access the primary codec, the valid bits [14:13] for slots 1 and 2 must be set in slot 0, as shown in Table 5-84. Slot 1 is used to transmit the register address and slot 2 is used to transmit data.

The secondary codec registers are accessed using slots 1 and 2 as described above; however, the slot valid bits for slots 1 and 2 are marked invalid in slot 0 and the codec ID bit 0 (bit 0 of slot 0) is set to 1. This allows the secondary codec to monitor the slot valid bits of slots 1 and 2, and bit 0 of slot 0 to determine if the access is directed to the secondary codec. If the register access is targeted to the secondary codec, slot 1 and 2 will contain the address and data for the register access. Since slots 1 and 2 are marked invalid, the primary codec will ignore these accesses.

**Table 5-84. Output Tag Slot 0**

Bit	Primary Access Example	Secondary Access Example	Description
15	1	1	Frame Valid
14	1	0	Slot 1 Valid, Command Address bit (Primary codec only)
13	1	0	Slot 2 Valid, Command Data bit (Primary codec only)
12:3	X	X	Slot 3-12 Valid
2	0	0	Reserved
1:0	00	01	Codec ID (00 reserved for primary; 01 indicate secondary)

When accessing the codec registers, only one I/O cycle can be pending across the AC-link at any time. The ICH implements write posting on I/O writes across the AC-link (i.e., writes across the link are indicated as complete before they are actually sent across the link). To prevent a second I/O write from occurring before the first one is complete, software must monitor the CAS bit in the Codec Access Semaphore register that indicates that a codec access is pending. Once the CAS bit is cleared, another codec access (read or write) can go through. The exception to this being reads to offset 54h/D4h (slot 12) that are returned immediately with the most recently received slot 12 data.

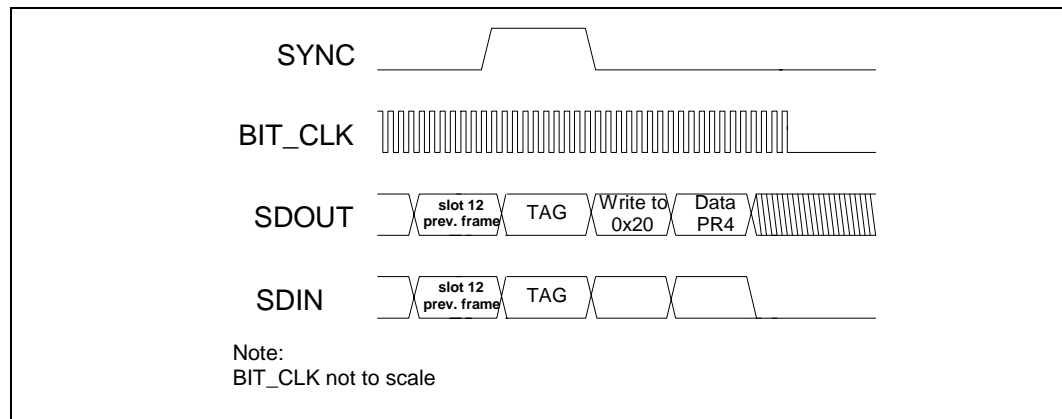
Writes to offset 54h and D4h (primary and secondary codecs) get transmitted across the AC-link in slots 1 and 2 as a normal register access. Slot 12 is also updated immediately to reflect the data being written.

The controller does not issue back to back reads. It must get a response to the first read before issuing a second. In addition, codec reads and writes are only executed once across the link and are not repeated.

## 5.18 AC-Link Low Power Mode

The AC-link signals can be placed in a low power mode. When the AC'97 Powerdown Register (26h) is programmed to the appropriate value, both BIT\_CLK and SDIN will be brought to and held at a logic low voltage level.

Figure 5-20. AC-link Powerdown Timing



BIT\_CLK and SDIN transition low immediately following a write to the Powerdown Register (26h) with PR4. When the AC'97 controller driver is at the point where it is ready to program the AC-link into its low power mode, slots 1 and 2 are assumed to be the only valid stream in the audio output frame.

The AC'97 controller also drives AC\_SYNC, and SDOUT low after programming AC'97 to this low power, halted mode

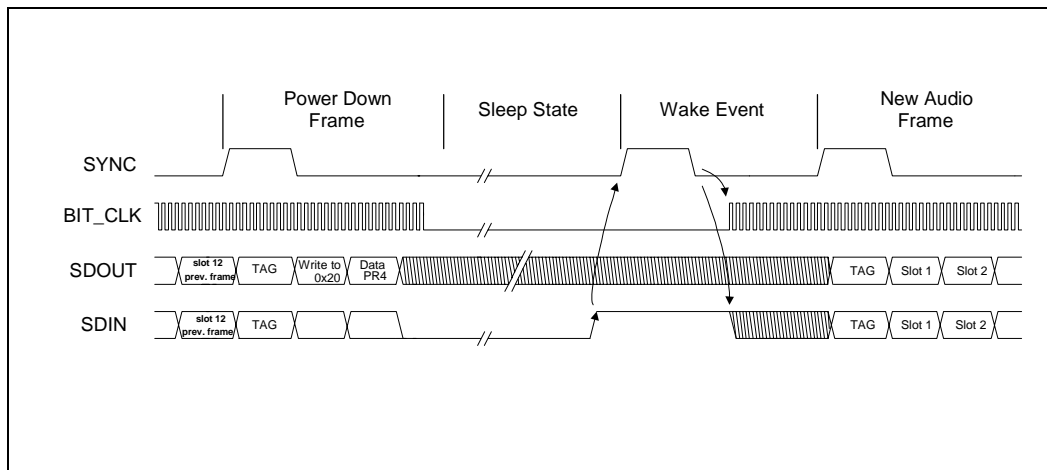
Once the codec has been instructed to halt BIT\_CLK, a special wake up protocol must be used to bring the AC-link to the active mode since normal output and input frames can not be communicated in the absence of BIT\_CLK. Once in a low power mode, the ICH provides three methods for waking up the AC-link; external wake event, cold reset, and warm reset

**Note:** Before entering any low power mode where the link interface to the codec is expected to be powered down while the rest of the system is awake, the software must set the "Shut Off" bit to 1 in the control register.

### 5.18.1 External Wake Event

Codecs can signal the controller to wake the AC-link, and wake the system using SDIN.

Figure 5-21. SDIN Wake Signaling



The minimum SDIN wake up pulse width is 1 us. The rising edge of SDIN[0] or SDIN[1] causes the ICH to sequence through an AC-link warm reset and set the AC97\_STS bit to 1 in the GPE0\_STS register to wake the system. The primary codec must wait to sample AC\_SYNC high and low before restarting BIT\_CLK as diagrammed in Figure 5-21. The codec that signaled the wake event must keep its SDIN high until it has sampled AC\_SYNC having gone high and then low.

The AC-link protocol provides for a cold reset and a warm reset. The type of reset used depends on the system’s current power down state. Unless a cold or register reset (a write to the Reset register in the codec) is performed, wherein the AC’97 codec registers are initialized to their default values, registers are required to keep state during all power down modes.

Once powered down, activation of the AC-link via re-assertion of the AC\_SYNC signal must not occur for a minimum of 4 audio frame times following the frame in which the power down was triggered. When AC-link powers up, it indicates readiness via the codec ready bit.

### 5.18.2 AC’97 Cold Reset

A cold reset is achieved by asserting AC\_RST# for 1 us. By driving AC\_RST# low, BIT\_CLK, and SDOUT will be activated and all codec registers will be initialized to their default power on reset values. AC\_RST# is an asynchronous AC’97 input to the codec.

### 5.18.3 AC’97 Warm Reset

A warm reset re-activates the AC-link without altering the current codec register values. A warm reset is signaled by driving AC\_SYNC high for a minimum of 1 us in the absence of BIT\_CLK.

Within normal frames, AC\_SYNC is a synchronous AC’97 input to the codec. However, in the absence of BIT\_CLK, AC\_SYNC is treated as an asynchronous input to the codec used in the generation of a warm reset.

The codec must not respond with the activation of BIT\_CLK until AC\_SYNC has been sampled low again by the codec. This prevents the false detection of a new frame.

**Note:** On receipt of wake up signalling from the codec, the digital controller issues an interrupt, if enabled. Software then has to issue a warm or cold reset to the codec by setting the appropriate bit in the Global Control Register.

## 5.18.4 System Reset

Table 5-85 indicates the states of the link during various system reset and sleep conditions.

**Table 5-85. AC-link state during PCIRST#**

Signal	Power Plane	I/O	During PCIRST#	After PCIRST#	S1	S3	S4/S5
AC_RST#	Resume <sup>3</sup>	Output	Low	Low	Cold Reset bit (Hi)	Low	Low
AC_SDOOUT	Core <sup>1</sup>	Output	Low	Running	Low	Low	Low
AC_SYNC	Core <sup>1</sup>	Output	Low	Running	Low	Low	Low
BIT_CLK	Core	Input	Driven by codec	Running	Low <sup>2</sup>	Low <sup>2</sup>	Low <sup>2</sup>
SDIN[1:0]	Resume	Input	Driven by codec	Running	Low <sup>2,4</sup>	Low <sup>2,4</sup>	Low <sup>2,4</sup>

**NOTE:**

1. ICH core well outputs are used as strapping options for the ICH sampled during system reset. These signals may have weak pullups/pulldowns on them. The ICH outputs will be driven to the appropriate level prior to AC\_RST# being deasserted, preventing a codec from entering test mode. Straps are tied to the core well to prevent leakage during a suspend state.
2. The pull-down resistors on these signals are only enabled when the AC-Link Shut Off bit in the AC'97 Global Control Register is set to 1. All other times, the pull-down resistor is disabled.
3. AC\_RST# is held low during S3-S5. It cannot be programmed high during a suspend state.
4. SDIN[1:0] are driven low by codecs during normal states. If the codec is powered in suspend states, it will hold SDIN[1:0] low. However, if the codec is not present or not powered in suspend, external pull-downs are required.

The transition of AC\_RST# to the deasserted state only occurs under driver control. In the S1 sleep state, the state of the AC\_RST# signal is controlled by the AC'97 Cold Reset# bit (bit 1) in the Global Control register. AC\_RST# is asserted (low) by the ICH under the following conditions:

- RSMRST# (system reset, including the a reset of the resume well and PCIRST#)
- Mechanical power up (causes PCIRST#)
- Write to CF9h hard reset (causes PCIRST#)
- Transition to S3/S4/S5 sleep states (causes PCIRST#)
- Write to AC'97 Cold Reset# bit in the Global Control Register.

Hardware never deasserts AC\_RST# (i.e., never deasserts the Cold Reset# bit) automatically. Only software can deassert the Cold Reset# bit and, hence, the AC\_RST# signal. This bit, while it resides in the core well, remains cleared upon return from S3/S4/S5 sleep states. The AC\_RST# pin remains actively driven from the resume well as indicated.





# Register and Memory Mapping

# 6

The ICH contains registers that are located in the processor's I/O space and memory space and sets of PCI configuration registers that are located in PCI configuration space. This chapter describes the ICH I/O and memory maps at the register-set level. Register access is also described. Register-level address maps and Individual register bit descriptions are provided in the following chapters. The following notations and definitions are used in the register/instruction description chapters.

RO	Read Only. In some cases, If a register is read only, writes to this register location have no effect. However, in other cases, two separate registers are located at the same location where a read accesses one of the registers and a write accesses the other register. See the I/O and memory map tables for details.
WO	Write Only. In some cases, If a register is write only, reads to this register location have no effect. However, in other cases, two separate registers are located at the same location where a read accesses one of the registers and a write accesses the other register. See the I/O and memory map tables for details.
R/W	Read/Write. A register with this attribute can be read and written.
R/WC	Read/Write Clear. A register bit with this attribute can be read and written. However, a write of 1 clears (sets to 0) the corresponding bit and a write of 0 has no effect.
Default	When ICH is reset, it sets its registers to predetermined default states. The default state represents the minimum functionality feature set required to successfully bring up the system. Hence, it does not represent the optimal system configuration. It is the responsibility of the system initialization software to determine configuration, operating parameters, and optional system features that are applicable, and to program the ICH registers accordingly.
Bold	Register bits with bit names highlighted in bold text indicate that the bit is implemented in the ICH. Register bits that are not implemented or are hardwired have bit names in plain (non-bold) text.

## 6.1 PCI Devices and Functions

The ICH incorporates a variety of PCI functions as shown in [Table 6-1](#). These functions are divided into two logical devices (30, and 31). Device 30 is the Hub Interface-To-PCI bridge. Device 31 contains all the other PCI functions.

If for some reason, the particular system platform does not want to support any one of the Functions 1-6, they can individually be disabled. When a function is disabled, it does not appear at all to the software. A disabled function will not respond to any register reads or writes. This is intended to prevent software from thinking that a function is present (and reporting it to the end-user).

**Table 6-1. PCI Devices and Functions**

Device:Function	Function Description
Device 30:Function 0	Hub Interface to PCI Bridge
Device 31:Function 0	PCI to LPC Bridge (includes: DMA, Timers, compatible interrupt controller, APIC, RTC, processor interface control, power management control, System Management control, and GPIO control)
Device 31:Function 1	IDE Controller
Device 31:Function 2	USB Controller
Device 31:Function 3	SMBus Controller
Device 31:Function 4	Reserved
Device 31:Function 5	AC'97 Audio Controller
Device 31:Function 6	AC'97 Modem Controller

### 6.1.1 PCI Configuration Map

Each PCI function on the ICH has a set of PCI configuration registers. The register address map tables for these register sets are included at the beginning of the chapter for the particular function. Refer to [Table A-1](#) for a complete list of all PCI Configuration Registers.

Configuration Space registers are accessed through configuration cycles on the PCI bus by the Host bridge using configuration mechanism #1 detailed in the *PCI 2.1 Specification*.

Some of the PCI registers contain reserved bits. Software must deal correctly with fields that are reserved. On reads, software must use appropriate masks to extract the defined bits and not rely on reserved bits being any particular value. On writes, software must ensure that the values of reserved bit positions are preserved. That is, the values of reserved bit positions must first be read, merged with the new values for other bit positions and then written back. Note the software does not need to perform read, merge, write operation for the configuration address register.

In addition to reserved bits within a register, the configuration space contains reserved locations. Software should not write to reserved PCI configuration locations in the device-specific region (above address offset 3Fh).

## 6.1.2 Standard PCI Bus Configuration Mechanism

The PCI Bus defines a slot based “configuration space” that allows each device to contain up to 8 functions with each function containing up to 256 8-bit configuration registers. The PCI specification defines two bus cycles to access the PCI configuration space: Configuration Read and Configuration Write. Memory and I/O spaces are supported directly by the processor. Configuration space is supported by a mapping mechanism implemented within the ICH. The PCI specification defines two mechanisms to access configuration space, Mechanism #1 and Mechanism #2. The ICH only supports Mechanism #1.

Configuration cycles for PCI Bus #0 devices #2 through #31, and for PCI Bus numbers greater than 0 will be sent towards the ICH from the host controller. The ICH compares the non-zero Bus Number with the Secondary Bus Number and Subordinate Bus number registers of its P2P bridge to determine if the configuration cycle is meant for Primary PCI or a downstream PCI bus.

**Type 0 to Type 0 Forwarding:** When a Type 0 configuration cycle is received on hub link, the ICH forwards these cycles to PCI and then reclaims them. The ICH uses address bits AD[15:14] to communicate the ICH device numbers in Type 0 configuration cycles. If the Type 0 cycle on hub link specifies any device number other than 30 or 31, the ICH will not set any address bits in the range AD[31:11] during the corresponding transaction on PCI. Table 6-2 shows the device number translation.

**Table 6-2. Device Number Translation**

Device # In Hub link Type 0 Cycle	AD[31:11] During Address Phase of Type 0 Cycle on PCI
0 through 29	0000000000000000_00000b
30	0000000000000000_01000b
31	0000000000000000_10000b

The ICH logic will generate single DWord configuration read and write cycles on the PCI bus. The ICH will generate a Type 0 configuration cycle for configurations to the bus number matching the PCI bus. Type 1 configuration cycles will be converted to Type 0 cycles in this case. If the cycle is targeting a device behind an external bridge, the ICH runs a Type 1 cycle on the PCI bus.

**Type 1 to Type 0 Conversion:** When the bus number for the Type 1 configuration cycle matches the PCI (Secondary) bus number, the ICH converts the address as follows:

1. For device numbers 0 through 15, only one bit of the PCI address [31:16] will be set. If the device number is 0, AD[16] is set; if the device number is 1, AD[17] is set; etc.
2. The ICH will always drive 0’s on bits AD[15:11] when converting Type 1 configurations cycles to Type 0 configuration cycles on PCI.
3. Address bits AD[10:1] are also passed unchanged to PCI.
4. Address bit AD0 is changed to ‘0’.

## 6.2 I/O Map

The I/O map is divided into Fixed and Variable address ranges. Fixed ranges cannot be moved, but in some cases can be disabled. Variable ranges can be moved and can also be disabled.

### 6.2.1 Fixed I/O Address Ranges

Table 6-3 shows the Fixed I/O decode ranges from the processor perspective. Note that for each I/O range, there may be separate behavior for reads and writes. The hub interface cycles that go to target ranges that are marked as “Reserved” will not be decoded by the ICH, and will be passed to PCI. If a PCI master targets one of the fixed I/O target ranges, it will be positively decoded by the ICH in Medium speed.

Refer to Table A-2 for a complete list of all fixed I/O registers. Address ranges that are not listed or marked “Reserved” are NOT decoded by the ICH (unless assigned to one of the variable ranges).

**Table 6-3. Fixed I/O Ranges Decoded by ICH (Sheet 1 of 2)**

I/O Address	Read Target	Write Target	Internal Unit
00h–08h	DMA Controller	DMA Controller	DMA
09h–0Eh	Reserved	DMA Controller	DMA
0Fh	DMA Controller	DMA Controller	DMA
10h–18h	DMA Controller	DMA Controller	DMA
19h–1Eh	Reserved	DMA Controller	DMA
1Fh	DMA Controller	DMA Controller	DMA
20h–21h	Interrupt Controller	Interrupt Controller	Interrupt
24h–25h	Interrupt Controller	Interrupt Controller	Interrupt
28h–29h	Interrupt Controller	Interrupt Controller	Interrupt
2Ch–2Dh	Interrupt Controller	Interrupt Controller	Interrupt
30h–31h	Interrupt Controller	Interrupt Controller	Interrupt
34h–35h	Interrupt Controller	Interrupt Controller	Interrupt
38h–39h	Interrupt Controller	Interrupt Controller	Interrupt
3Ch–3Dh	Interrupt Controller	Interrupt Controller	Interrupt
40h–42h	Timer/Counter	Timer/Counter	PIT (8254)
43h	Reserved	Timer/Counter	PIT
50h–52h	Timer/Counter	Timer/Counter	PIT
53h	Reserved	Timer/Counter	PIT
61h	NMI Controller	NMI Controller	Processor Interface
70h	Reserved	NMI and RTC Controller	RTC
71h	RTC Controller	RTC Controller	RTC
72h	RTC Controller	NMI and RTC Controller	RTC
73h	RTC Controller	RTC Controller	RTC
74h	RTC Controller	NMI and RTC Controller	RTC
75h	RTC Controller	RTC Controller	RTC
76h	RTC Controller	NMI and RTC Controller	RTC

**Table 6-3. Fixed I/O Ranges Decoded by ICH (Sheet 2 of 2)**

I/O Address	Read Target	Write Target	Internal Unit
77h	RTC Controller	RTC Controller	RTC
80h	DMA Controller	DMA Controller and LPC or PCI	DMA
81h–83h	DMA Controller	DMA Controller	DMA
84h–86h	DMA Controller	DMA Controller and LPC or PCI	DMA
87h	DMA Controller	DMA Controller	DMA
88h	DMA Controller	DMA Controller and LPC or PCI	DMA
89h–8Bh	DMA Controller	DMA Controller	DMA
8Ch–8Eh	DMA Controller	DMA Controller and LPC or PCI	DMA
08Fh	DMA Controller	DMA Controller	DMA
92h	Reset Generator	Reset Generator	Processor Interface
A0h–A1h	Interrupt Controller	Interrupt Controller	Interrupt
A4h–A5h	Interrupt Controller	Interrupt Controller	Interrupt
A8h–A9h	Interrupt Controller	Interrupt Controller	Interrupt
ACh–ADh	Interrupt Controller	Interrupt Controller	Interrupt
B0h–B1h	Interrupt Controller	Interrupt Controller	Interrupt
B2h–B3h	Power Management	Power Management	TBD
B4h–B5h	Interrupt Controller	Interrupt Controller	Interrupt
B8h–B9h	Interrupt Controller	Interrupt Controller	Interrupt
BCh–BDh	Interrupt Controller	Interrupt Controller	Interrupt
C0h–D1h	DMA Controller	DMA Controller	DMA
D2h–DDh	Reserved	DMA Controller	DMA
DEh–DFh	DMA Controller	DMA Controller	DMA
F0h	See Note 3	FERR#/IGNNE#/ Interrupt Controller	Processor Interface
170h–177h	IDE Controller <sup>1</sup>	IDE Controller <sup>1</sup>	IDE
1F0h–1F7h	IDE Controller <sup>2</sup>	IDE Controller <sup>2</sup>	IDE
376h	IDE Controller <sup>1</sup>	IDE Controller <sup>1</sup>	IDE
3F6h	IDE Controller <sup>2</sup>	IDE Controller <sup>2</sup>	IDE
4D0h–4D1h	Interrupt Controller	Interrupt Controller	IDE
CF9h	Reset Generator	Reset Generator	Processor Interface

**NOTES:**

1. Only if IDE Standard I/O space is enabled for Primary Drive. Otherwise, the target is PCI.
2. Only if IDE Standard I/O space is enabled for Secondary Drive. Otherwise, the target is PCI.
3. If POS\_DEC\_EN bit is enabled, reads from F0h will not be decoded by the ICH. If POS\_DEC\_EN is not enabled, reads from F0h will forward to LPC.

## 6.2.2 Variable I/O Decode Ranges

Table 6-4 shows the Variable I/O Decode Ranges. They are set using Base Address Registers (BARs) or other configuration bits in the various PCI configuration spaces. The PNP software (PCI or ACPI) can use their configuration mechanisms to set and adjust these values.

When a cycle is detected on hub interface, the ICH will positively decode the cycle. If the response is on the behalf of an LPC device, ICH forwards the cycle to the LPC interface.

Refer to Table A-3 for a complete list of all variable I/O registers.

**Warning:** The Variable I/O Ranges should not be set to conflict with the Fixed I/O Ranges. Unpredictable results if the configuration software allows conflicts to occur. The ICH does not perform any checks for conflicts.

**Table 6-4. Variable I/O Decode Ranges**

Range Name	Mappable	Size (Bytes)	Target
ACPI	Anywhere in 64K I/O Space	64	Power Management
IDE	Anywhere in 64K I/O Space	16	IDE Unit
USB	Anywhere in 64K I/O Space	32	USB Unit
SMBus	Anywhere in 64K I/O Space	16	SMB Unit
AC'97 Audio Mixer	Anywhere in 64K I/O Space	256	AC'97 Unit
AC'97 Bus Master	Anywhere in 64K I/O Space	64	AC'97 Unit
AC'97 Modem Mixer	Anywhere in 64K I/O Space	256	AC'97 Unit
TCO	96 Bytes above ACPI Base	32	TCO Unit
GPIO	Anywhere in 64K I/O Space	64	GPIO Unit
Parallel Port	3 ranges in 64K I/O Space	8	LPC Peripheral
Serial Port 1	8 Ranges in 64K I/O Space	8	LPC Peripheral
Serial Port 2	8 Ranges in 64K I/O Space	8	LPC Peripheral
Floppy Disk Controller	2 Ranges in 64K I/O Space	8	LPC Peripheral
MIDI	4 Ranges in 64K I/O Space	2	LPC Peripheral
MSS	4 Ranges in 64K I/O Space	8	LPC Peripheral
SoundBlaster	2 Ranges in 64K I/O Space	32	LPC Peripheral
AdLib	2 Ranges in 64K I/O Space	2	LPC Peripheral
LPC Generic 1	Anywhere in 64K I/O Space	128 bytes (with mask)	LPC Peripheral
LPC Generic 2	Anywhere in 64K I/O Space	16 bytes (with mask)	LPC Peripheral

## 6.3 Memory Map

Table 6-5 shows (from the processor perspective) the memory ranges that the ICH will decode. Cycles that arrive from the host controller will first be driven out on PCI. The ICH may then claim the cycle for it to be forwarded to LPC or claimed by the internal APIC. If subtractive decode is enabled, the cycle can be forwarded to LPC.

PCI cycles generated by an external PCI master will be positively decoded unless it falls in the PCI-PCI bridge forwarding range (those addresses are reserved for PCI peer-to-peer traffic). If the cycle is not in the I/O APIC or LPC ranges, it will be forwarded up the hub interface to the host controller.

**Table 6-5. Memory Decode Ranges from Processor Perspective**

Memory Range	Target
00000000h–000DFFFFh 00100000h –TOM (Top of Memory)	Main Memory
000E0000h–000FFFFFFh	FWH
FEC00000h–FEC00100h	I/O APIC inside ICH
FF800000h–FFF80000h	FWH Refer to <a href="#">Section 8.1.31</a> for more details.
FFF80000h–FFFFFFFFh	FWH
All Other	PCI





# Hub Interface-to-PCI Bridge Registers (D30:F0) 7

The hub interface to PCI Bridge resides in PCI Device 30, Function 0 on bus #0. This portion of the ICH implements the buffering and control logic between PCI and the hub interface. The arbitration for the PCI bus is handled by this PCI device. The PCI decoder in this device must decode the ranges for the hub interface. All register contents will be lost when core well power is removed.

## 7.1 PCI Configuration Registers (D30:F0)

**Note:** Reserved registers are read only and are not shown. Reads to unlisted reserved registers should return all 0's

**Table 7-1. PCI Configuration Map (HUB-PCI—D30:F0) (Sheet 1 of 2)**

Offset	Mnemonic	Register Name/Function	Default	Type
00–01h	VID	Vendor ID	8086h	RO
02–03h	DID	Device ID	2418h (ICH: 82801AA) 2428h (ICH0: 82801AB)	RO
04–05h	CMD	PCI Device Command Register	0001h	R/W
06–07h	PD_STS	PCI Device Status Register	0080h	R/W
08h	RID	Revision ID	Note 1	RO
0Ah	SCC	Sub Class Code	04h	RO
0Bh	BCC	Base Class Code	06h	RO
0Dh	PMLT	Primary Master Latency Timer	00h	RO
0Eh	HEADTYP	Header Type	01h	RO
18h	PBUS_NUM	Primary Bus Number	00h	R/W
19h	SBUS_NUM	Secondary Bus Number	00h	R/W
1Ah	SUB_BUS_NUM	Subordinate Bus Number	00h	R/W
1Bh	SMLT	Secondary Master Latency Timer	00h	R/W
1Ch	IOBASE	IO Base Register	F0h	R/W
1Dh	IOLIM	IO Limit Register	00h	R/W
1E–1Fh	SECSTS	Secondary Status Register	0280h	R/W
20–21h	MEMBASE	Memory Base	FFF0h	R/W
22–23h	MEMLIM	Memory Limit	0000h	R/W
24–25h	PREF_MEM_BASE	Prefetchable Memory Base	0000h	R/W
26–27h	PREF_MEM_MLT	Prefetchable Memory Limit	0000h	R/W
30–31h	IOBASE_HI	I/O Base Upper 16 Bits	0000h	RO
32–33h	IOLIMIT_HI	I/O Limit Upper 16 Bits	0000h	RO

Table 7-1. PCI Configuration Map (HUB-PCI—D30:F0) (Sheet 2 of 2)

Offset	Mnemonic	Register Name/Function	Default	Type
3Ch	INT_LINE	Interrupt Line	00h	RO
3E–3Fh	BRIDGE_CNT	Bridge Control	0000h	R/W
50–51h	CNF	ICH Configuration Register	0000h	R/W
70h	MTT	Multi-Transaction Timer	00h	R/W
82h	PCI_MAST_STS	PCI Master Status	00h	R/W
90h	ERR_CMD	Error Command Register	00h	R/W
92h	ERR_STS	Error Status Register	00h	R/W

**NOTES:**

1. Refer to ICH Specification Updates for the value of the Revision ID.
2. Addresses that are not listed in the above table are reserved and read only.

### 7.1.1 VID—Vendor ID Register (HUB-PCI—D30:F0)

Offset Address: 00–01h                      Attribute: RO  
 Default Value: 8086h                      Size: 16 bits

Bit	Description
15:0	<b>Vendor Identification Number.</b> This is a 16-bit value assigned to Intel. Intel VID = 8086h.

### 7.1.2 DID—Device ID Register (HUB-PCI—D30:F0)

Offset Address: 02–03h                      Attribute: RO  
 Size: 16 bits  
 Default Value: 2418h (ICH: 82801AA)  
 2428h (ICH: 82801AB)

Bit	Description
15:0	<b>Device Identification Number.</b> This is a 16 bit value assigned to the ICH hub interface to PCI bridge (i.e. Device #2). See default above for value in this register.

### 7.1.3 CMD—Command Register (HUB-PCI—D30:F0)

Offset Address:	04–05h	Attribute:	R/W
Default Value:	0001h	Size:	16 bits

Bit	Description
15:10	Reserved.
9	<b>Fast Back to Back Enable (FBE)—RO.</b> This bit indicates whether the ICH is allowed to run cycles originating from hub interface #1 in fast back to back mode. The ICH does not support this capability.
8	<b>SERR# Enable (SERR_EN) —R/W.</b> Software sets this bit to enable the ICH to generate an NMI (or SMI# if NMI routed to SMI#) when the D30:F0 SSE bit (offset 06h, bit 14) is set.
7	Wait Cycle Control—RO. Hardwired to '0'
6	<b>ICH (82801AA): Parity Error Response—R/W</b> 1 = the ICH is allowed to report parity errors on the hub interface. 0 = the ICH will ignore parity errors on the hub interface. <b>ICH0 (82801AB): Parity Error Response—RO.</b> Hardwired to '0'
5	VGA Palette Snoop—RO. Hardwired to '0'.
4	Postable Memory Write Enable (PMWE) —RO. Hardwired to '0'.
3	Special Cycle Enable (SCE) —RO. Hardwired to '0' by P2P Bridge spec.
2	<b>Bus Master Enable (BME) —R/W.</b> 1 = Allows the hub interface to PCI bridge to accept cycles from PCI to run on the hub interface. <b>NOTE:</b> This bit does not affect the CF8h and CFCh I/O accesses.
1	<b>Memory Space Enable (MSE) —R/W.</b> The ICH provides this bit as read/writable for software only. However, the ICH ignores the programming of this bit and runs hub interface memory cycles.
0	<b>I/O Space Enable (IOE) —R/W.</b> Hardwired to '1'. The ICH provides this bit as read/writable for software only. However, the ICH ignores the programming of this bit and runs hub interface I/O cycles to PCI that are not intended for USB, IDE, or AC'97.

## 7.1.4 PD\_STS—Primary Device Status Register (HUB-PCI—D30:F0)

Offset Address: 06–07h                      Attribute: R/W  
 Default Value: 0080h                      Size: 16 bits

For the writable bits in this register, writing a ‘1’ will clear the bit. Writing a ‘0’ to the bit will have no effect.

Bit	Description
15	<p><b>ICH (82801AA):</b>  <b>Detected Parity Error (DPE) —R/WC.</b>            1 =This bit indicates that the ICH detected a parity error on the hub interface 1. This bit gets set even if the Parity Error Response bit (bit 6 of offset 04) is not set.            0 = This bit is cleared by writing a ‘1’ to this location.</p> <p><b>ICH0 (82801AB):</b>            Detected Parity Error—RO. Hardwired to ‘0’</p>
14	<p><b>ICH (82801AA):</b>  <b>Received System Error (SSE) — R/W.</b>            1 =The ICH sets this bit when an address, or command parity error, or special cycles data parity error is detected on the PCI bus, and the Parity Error Response bit (D30:F0, Offset 04h, bit 6) is set.            Note that if this bit is set because of parity error and the D30:F0 SERR_EN bit (Offset 04h, bit 8) is also set, the ICH will generate an NMI (or SMI# if NMI routed to SMI#)            0 =This bit is cleared by software writing a 1.</p> <p><b>ICH0 (82801AB):</b>  <b>Received System Error (SSE) — R/W.</b>            1 =The ICH0 sets this bit when a system error occurs. Refer to <a href="#">Section 5.1.4, “SERR#/PERR#/NMI# Functionality” on page 5-2</a> for additional information.            0 =This bit is cleared by software writing a 1.</p>
13	<p><b>Received Master Abort (RMA) —R/WC.</b>            1 = ICH received a master abort from the hub interface device (host controller).            0 = This bit is cleared by software writing a 1.</p>
12	<p><b>Received Target Abort (RTA) —R/WC.</b>            1 = ICH received a target abort from the hub interface device (host controller). The TCO logic can cause an SMI#, NMI, or interrupt based on this bit getting set.            0 = This bit is cleared by software writing a 1.</p>
11	<p><b>Signaled Target Abort (STA) —R/W.</b>            1 = ICH signals a target abort condition on the hub interface. Note: an implementation simplification is to set this bit along with the PCI (secondary) bus Received Target Abort bit during a “completion required” access.            0 = This bit is cleared by software writing a 1.</p>
10:9	<p>DEVSEL# Timing Status—RO.            00h = Fast timing. This register applies to the hub interface; therefore, this field does not matter.</p>
8	<p><b>ICH (82801AA):</b>  <b>Data Parity Error Detected (DPD) —R/W.</b> With the PERR signal removed from the hub interface, the ICH must interpret this bit differently than it is in the PCI spec.            1 = ICH (82801AA) detects a parity error on the hub interface and the Parity Error Response bit in the Command Register (offset 04h, bit 6) is set.            0 = This bit is cleared by software writing a 1.</p> <p><b>ICH0 (82801AB):</b>            Data Parity Error Detected—RO. Hardwired to ‘0’.</p>

Bit	Description
7	Fast Back to Back—RO. This bit is hardwired to '1'.
6	User Definable Features (UDF) —RO. Hardwired to '0'.
5	66 MHz Capable—RO. Hardwired to '0'.
4:0	Reserved.

### 7.1.5 RID—Revision ID Register (HUB-PCI—D30:F0)

Offset Address: 08h Attribute: RO  
 Default Value: See ICH Spec. Updates Size: 8 bits

Bit	Description
7:0	<b>Revision Identification Number.</b> 8-bit value that indicates the revision number for the ICH hub interface to PCI bridge. Refer to ICH Specification Updates for this value.

### 7.1.6 SCC—Sub-Class Code Register (HUB-PCI—D30:F0)

Offset Address: 0Ah Attribute: RO  
 Default Value: 04h Size: 8 bits

Bit	Description
7:0	<b>Sub-Class Code.</b> 8-bit value that indicates the category of bridge for the ICH hub interface to PCI bridge. The code is 04h indicating a PCI-to-PCI bridge.

### 7.1.7 BCC—Base-Class Code Register (HUB-PCI—D30:F0)

Offset Address: 0Bh Attribute: RO  
 Default Value: 06h Size: 8 bits

Bit	Description
7:0	<b>Base Class Code.</b> 8-bit value that indicates the type of device for the ICH hub interface to PCI bridge. The code is 06h indicating a bridge device.

### 7.1.8 PMLT—Primary Master Latency Timer Register (HUB-PCI—D30:F0)

Offset Address: 0Dh Attribute: RO  
 Default Value: 00h Size: 8 bits

This register does not apply to hub interface.

Bit	Description
7:3	Master Latency Count. Not implemented.
2:0	Reserved.

### 7.1.9 HEADTYP—Header Type Register (HUB-PCI—D30:F0)

Offset Address: 0Eh    Attribute: RO  
 Default Value: 01h     Size: 8 bits

Bit	Description
7	<b>Multi-function Device.</b> This bit is '0' to indicate a single function device.
6:0	<b>Header Type.</b> 8-bit field identifies the header layout of the configuration space, which is a PCI-to-PCI bridge in this case.

### 7.1.10 PBUS\_NUM—Primary Bus Number Register (HUB-PCI—D30:F0)

Offset Address: 18h     Attribute: R/W  
 Default Value: 00h     Size: 8 bits

Bit	Description
7:0	<b>Primary Bus Number.</b> This field indicates the bus number of the hub interface and is hardwired to 00h.

### 7.1.11 SBUS\_NUM—Secondary Bus Number Register (HUB-PCI—D30:F0)

Offset Address: 19h     Attribute: R/W  
 Default Value: 00h     Size: 8 bits

Bit	Description
7:0	<b>Secondary Bus Number.</b> This field indicates the bus number of PCI. Note: when this number is equal to the primary bus number (i.e. bus #0), the ICH will run hub interface configuration cycles to this bus number as Type 1 configurations on PCI.

### 7.1.12 SUB\_BUS\_NUM—Subordinate Bus Number Register (HUB-PCI—D30:F0)

Offset Address: 1A    Attribute: R/W  
 Default Value: 00h     Size: 8 bits

Bit	Description
7:0	<b>Subordinate Bus Number.</b> This field specifies the highest PCI bus number below the hub interface to PCI bridge. If a Type 1 configuration cycle from the hub interface does not fall in the Secondary-to-Subordinate Bus ranges of Device 30, the ICH must indicate a master abort back to the hub interface (with all 1's, in the case of reads).

### 7.1.13 SMLT—Secondary Master Latency Timer Register (HUB-PCI—D30:F0)

Offset Address: 1Bh Attribute: R/W  
 Default Value: 00h Size: 8 bits

This Master Latency Timer (MLT) controls the amount of time that the ICH will continue to burst data as a master on the PCI bus. When the ICH starts the cycle after being granted the bus, the counter is loaded and starts counting down from the assertion of FRAME#. If the internal grant to this device is removed, then the expiration of the MLT counter will result in the deassertion of FRAME#. If the internal grant has not been removed, then the ICH can continue to own the bus.

Bit	Description
7:3	<b>Master Latency Count.</b> 5-bit value that indicates the number of PCI clocks, in 8-clock increments, that the ICH will remain as master of the bus.
2:0	Reserved.

### 7.1.14 IOBASE—I/O Base Register (HUB-PCI—D30:F0)

Offset Address: 1Ch Attribute: R/W  
 Default Value: F0h Size: 8 bits

Bit	Description
7:4	<b>I/O Address Base bits [15:12]—R/W.</b> I/O Base bits corresponding to address lines 15:12 for 4 KB alignment. Bits 11:0 are assumed to be padded to 000h.
3:0	<b>I/O Addressing Capability—RO.</b> This is hardwired to 0h, indicating that the hub interface to PCI bridge does not support 32-bit I/O addressing. This means that the I/O base & limit upper address registers must be read only.

### 7.1.15 IOLIM—I/O Limit Register (HUB-PCI—D30:F0)

Offset Address: 1Dh Attribute: R/W  
 Default Value: 00h Size: 8 bits

Bit	Description
7:4	<b>I/O Address Limit bits [15:12]—R/W.</b> I/O Base bits corresponding to address lines 15:12 for 4 KB alignment. Bits 11:0 are assumed to be padded to FFFh.
3:0	<b>I/O Addressing Capability—RO.</b> This is hardwired to 0h, indicating that the hub interface to PCI bridge does not support 32-bit I/O addressing. This means that the I/O base & limit upper address registers must be read only.

## 7.1.16 SECSTS—Secondary Status Register (HUB-PCI—D30:F0)

Offset Address: 1E–1Fh                      Attribute: R/W  
 Default Value: 0280h                      Size: 16 bits

For the writable bits in this register, writing a ‘1’ will clear the bit. Writing a ‘0’ to the bit will have no effect.

Bit	Description
15	<b>ICH (82801AA):</b> <b>Detected Parity Error (DPE) —R/WC.</b> 1 = ICH (82801AA) detected a parity error on the PCI bus. 0 = This bit is cleared by software writing a 1. <b>ICH0 (82801AB):</b> Detected Parity Error—RO. Hardwired to ‘0’.
14	<b>Received System Error (SSE) —R/WC.</b> 1 = SERR# assertion is received on PCI. 0 = This bit is cleared by software writing a 1.
13	<b>Received Master Abort (RMA) —R/WC.</b> 1 = hub interface to PCI cycle is master-aborted on PCI. 0 = This bit is cleared by software writing a 1.
12	<b>Received Target Abort (RTA) —R/WC.</b> 1 = hub interface to PCI cycle is target-aborted on PCI. For “completion required” cycles from the hub interface, this event should also set the Signaled Target Abort in the Primary Status Register in this device, and the ICH must send the “target abort” status back to the hub interface. 0 = This bit is cleared by software writing a 1.
11	Signaled Target Abort (STA) —RO. The ICH does not generate target aborts and does not forward the target abort response from the hub interface to the PCI interface.
10:9	DEVSEL# Timing Status—RO. 01h = Medium timing.
8	<b>ICH (82801AA):</b> <b>Data Parity Error Detected—R/WC</b> 1 = The ICH (82801AA) sets this bit when all of the following three conditions are met: <ul style="list-style-type: none"> <li>- The Parity Error Response Enable bit in the Bridge Control Register (bit 0, offset 3Eh) is set</li> <li>- USB, AC’97 or IDE is a Master</li> <li>- PERR# asserts during a write cycle <b>OR</b> a parity error is detected internally during a read cycle</li> </ul> 0 = This bit is cleared by software writing a 1. <b>ICH0 (82801AB):</b> Data Parity Error Detected—RO. Hardwired to ‘0’.
7	<b>Fast Back to Back—RO.</b> Hardwired to ‘1’ to indicate that the PCI to hub interface target logic is capable of receiving fast back-to-back cycles.
6	User Definable Features (UDF) —RO. Hardwired to ‘0’.
5	66 MHz Capable—RO. Hardwired to ‘0’.
4:0	Reserved.



### 7.1.17 MEMBASE—Memory Base Register (HUB-PCI—D30:F0)

Offset Address: 20–21h                      Attribute: R/W  
 Default Value: FFF0h                      Size: 16 bits

This register defines the base of the hub interface to PCI non-prefetchable memory range. Since the ICH will forward all hub interface memory accesses to PCI, the ICH will only use this information for determining when not to accept cycles as a target.

This register must be initialized by the configuration software. For the purpose of address decode, address bits A[19:0] are assumed to be 0. Thus, the bottom of the defined memory address range will be aligned to a 1 MB boundary.

Bit	Description
15:4	<b>Memory Address Base.</b> Defines the base of the memory range for PCI. These 12 bits correspond to address bits 31:20.
3:0	Reserved.

### 7.1.18 MEMLIM—Memory Limit Register (HUB-PCI—D30:F0)

Offset Address: 22–23h                      Attribute: R/W  
 Default Value: 0000h                      Size: 16 bits

This register defines the upper limit of the hub interface to PCI non-prefetchable memory range. Since the ICH will forward all hub interface memory accesses to PCI, the ICH will only use this information for determining when not to accept cycles as a target.

This register must be initialized by the configuration software. For the purpose of address decode, address bits A[19:0] are assumed to be FFFFh. Thus, the top of the defined memory address range will be aligned to a 1 MB boundary.

Bit	Description
15:4	<b>Memory Address Limit.</b> Defines the top of the memory range for PCI. These 12 bits correspond to address bits 31:20.
3:0	Reserved.

### 7.1.19 PREF\_MEM\_BASE—Prefetchable Memory Base Register (HUB-PCI—D30:F0)

Offset Address: 24h–25h                      Attribute: R/W  
 Default Value: 0000FFF0h                      Size: 16-bit

Bit	Description
15:4	<b>Prefetchable Memory Address Base — R/W.</b> Defines the base address of the prefetchable memory address range for PCI. These 12 bits correspond to address bits 31:20.
3:0	Reserved. RO.

### 7.1.20 PREF\_MEM\_MLT—Prefetchable Memory Limit Register (HUB-PCI—D30:F0)

Offset Address: 26h–27h                      Attribute: R/W  
 Default Value: 00000000h                      Size: 16-bit

Bit	Description
15:4	<b>Prefetchable Memory Address Limit—RW.</b> Defines the limit address of the prefetchable memory address range for PCI. These 12 bits correspond to address bits 31:20.
3:0	Reserved. RO

### 7.1.21 IOBASE\_HI—I/O Base Upper 16 Bits Register (HUB-PCI—D30:F0)

Offset Address: 30–31h                      Attribute: RO  
 Default Value: 0000h                      Size: 16 bits

Bit	Description
15:0	I/O Address Base Upper 16 bits [31:16]. Not supported; hardwired to 0.

### 7.1.22 IOLIM\_HI—I/O Limit Upper 16 Bits Register (HUB-PCI—D30:F0)

Offset Address: 32–33h                      Attribute: RO  
 Default Value: 0000h                      Size: 16 bits

Bit	Description
15:0	I/O Address Limit Upper 16 bits [31:16]. Not supported; hardwired to 0.

### 7.1.23 INT\_LINE—Interrupt Line Register (HUB-PCI—D30:F0)

Offset Address: 3Ch                      Attribute: RO  
 Default Value: 00h                      Size: 8 bits

Bit	Description
7:0	Interrupt Line Routing. Hardwired to 00h. The bridge does not generate interrupts, and interrupts from downstream devices are routed around the bridge.

### 7.1.24 BRIDGE\_CNT—Bridge Control Register (HUB-PCI—D30:F0)

Offset Address: 3E–3Fh Attribute: R/W  
 Default Value: 0000h Size: 16 bits

Bit	Description
15:8	Reserved.
7	Fast Back to Back Enable—RO. Hardwired to '0'. The PCI logic will not generate fast back-to-back cycles on the PCI bus.
6	Secondary Bus Reset—RO. hardwired to '0'. The ICH does not follow the P2P bridge reset scheme; Software-controlled resets are implemented in the PCI-LPC device.
5	<b>Master Abort Mode—R/W.</b> The ICH ignores this bit. However, this bit is read/write for software compatibility. The ICH must handle master aborts as if this bit is reset to 0.
4	Reserved.
3	<b>VGA Enable—R/W.</b> 1 =Enable. Indicates that the VGA device is on PCI. Therefore, the PCI to hub interface decoder will not accept memory cycles in the range A0000h–BFFFFh. Note that the ICH will never take I/O cycles in the VGA range from PCI. 0 =Disable
2	<b>ISA Enable—R/W.</b> The ICH ignores this bit. However, this bit is read/write for software compatibility. Since the ICH forwards all I/O cycles that are not in the USB, AC'97, or IDE ranges to PCI, this bit would have no effect.
1	<b>SERR# Enable—R/W.</b> 1 =Enable. If this bit is set AND bit 8 in CMD register (D30:F0 Offset 04h) is also set, the ICH will set the SSE bit in PD_STS register (D30:F0, offset 06h, bit 14) AND also generate an NMI (or SMI# if NMI routed to SMI) when the SERR# signal is asserted. 0 =Disable
0	<b>ICH (82801AA):</b> <b>Parity Error Response Enable—R/W.</b> 1 = Enable the hub interface to PCI bridge for parity error detection and reporting on the PCI bus. Parity errors on PCI will cause an NMI, if NMI's are enabled. 0 = Disable Note: If parity error checking is enabled (either with this bit or D31:F0, PCICMD[bit 6]), then parity errors on PCI will cause an NMI, if NMI's are enabled. Some operating systems will not attempt to recover from this NMI, since it considers the detection of a PCI error as a catastrophic event. <b>ICH0 (82801AB):</b> Parity Error Response Enable—RO. Hardwired to '0'.

## 7.1.25 CNF—ICH Configuration Register (HUB-PCI—D30:F0)

Offset Address: 50–51h                      Attribute: R/W  
 Default Value: 0000h                      Size: 16 bits

Bit	Description
15:10	Reserved.
9	<b>HP_PCI_EN:</b> High Priority PCI Enable. 1 =Software sets this bit to 1 to enable the mode where the REQ[0]#/GNT[0]# signal pair has a higher priority. 0 = Disable
8	<b>Hole Enable (15 MB–16 MB).</b> This bit enables the 15 MB to 16 MB hole in the DRAM. 1 = Enable 0 = Disable
7:2	Reserved.
1	<b>32-Clock Retry Enable.</b> When a PCI device is running a locked memory read cycle, while all other bus masters are waiting to run locked cycles, concurrent with a LPC DMA transfer, this bit, when set allows the ICH to retry the locked memory read cycle. If this bit is not set, under the same circumstance, the bus will not be released, since all other masters see the lock in use. System BIOS must set this bit for PCI compliance. 1 = Enable 0 = Disable
0	Reserved.

### 7.1.26 MTT—Multi-Transaction Timer Register (HUB-PCI—D30:F0)

Offset Address: 70h Attribute: R/W  
 Default Value: 00h Size: 8 bits

MTT is an 8-bit register that controls the amount of time that the ICH's arbiter allows a PCI initiator to perform multiple back-to-back transactions on the PCI bus. The ICH's MTT mechanism is used to guarantee a fair share of the Primary PCI bandwidth to an initiator that performs multiple back-to-back transactions to fragmented memory ranges (and as a consequence it can not use long burst transfers).

The number of clocks programmed in the MTT represents the guaranteed time slice (measured in PCI clocks) allotted to the current agent, after which the arbiter will grant another agent that is requesting the bus. The default value of MTT is 00h and disables this function, which could starve some masters from using the PCI bus. Programming of the MTT to anything less than 16 clocks will not allow the Grant-to-FRAME# latency to be 16 clocks. The MTT timer will timeout before the Grant-to-FRAME# trigger causing a re-arbitration.

Bit	Description
7:3	<b>Multi-Transaction Timer Count Value.</b> This field specifies the amount of time that grant will remain asserted to a master continuously asserting its request for multiple transfers. This field specifies the count in an 8-clock (PCI clock) granularity.
2:0	Reserved.

### 7.1.27 PCI\_MAST\_STS—PCI Master Status Register (HUB-PCI—D30:F0)

Offset Address: 82h Attribute: R/W  
 Default Value: 00h Size: 8 bits

Bit	Description
7:6	Reserved.
5:0	<b>PCI Master Request Status (PCI_MREQ_STS).</b> Allows software to see if a particular bus master has requested use of the PCI bus. This bit is only cleared by writing a 1 to the bit position.

### 7.1.28 ERR\_CMD—Error Command Register (HUB-PCI—D30:F0)

Offset Address:	90h	Attribute:	R/W
Default Value:	00h	Size:	8 bits
Lockable:	No	Power Well:	Core

This register configures the ICH's Device 30 responses to various system errors. The actual assertion of the internal SERR# (routed to cause NMI# or SMI#) is enabled via the PCI Command register.

Bit	Description
7:3	Reserved.
2	<b>SERR# enable on receiving target abort (SERR_RTA_EN).</b> 1 = Enable. When SERR_EN is set, the ICH will report SERR# when SERR_RTA is set. 0 = Disable
1	<b>SERR# enable on Delayed Transaction Timeout (SERR_DTT_EN).</b> 1 = Enable. When SERR_EN is set, the ICH will report SERR# when SERR_DTT is set. 0 = Disable.
0	Reserved.

### 7.1.29 ERR\_STS—Error Status Register (HUB-PCI—D30:F0)

Offset Address:	92h	Attribute:	Read-Write
Default Value:	00h	Size:	8 bits
Lockable:	No	Power Well:	Core

This register records the cause of system errors in Device 30. The actual assertion of SERR# is enabled via the PCI Command register.

Bit	Description
7:3	Reserved.
2	<b>SERR# Due to Received Target Abort (SERR_RTA).</b> 1 = The ICH sets this bit when the ICH receives a target abort. If SERR_EN, the ICH will also generate an SERR# when SERR_RTA is set. 0 = This bit is cleared by writing a 1.
1	<b>SERR# Due to Delayed Transaction Timeout (SERR_DTT).</b> 1 = When a PCI master does not return for the data within 1 ms of the cycle's completion, the ICH clears the delayed transaction, and sets this bit. If both SERR_DTT_EN and SERR_EN are set, then ICH will also generate an SERR# when SERR_DTT is set. 0 = This bit is cleared by writing a 1.
0	Reserved.

# LPC Interface Bridge Registers (D31:F0)

# 8

The LPC Bridge function of the ICH resides in PCI Device 31:Function 0. This function contains many other functional units, such as DMA and Interrupt Controllers, Timers, Power Management, System Management., GPIO, RTC, and LPC Configuration Registers.

In this chapter, registers and functions associated with other functional units (power management, GPIO, USB, IDE, etc.) are described in their respective section

## 8.1 PCI Configuration Registers (D31:F0)

**Note:** Reserved registers are read only and are not shown. Reads to unlisted reserved registers should return all 0's

**Table 8-1. PCI Configuration Map (LPC Interface—D31:F0) (Sheet 1 of 2)**

Offset	Mnemonic	Register Name	Default	Type
00h–01h	VID	Vendor ID	8086h	RO
02h–03h	DID	Device ID	2410h (ICH: 82801AA) 2420h (ICH0: 82801AB)	RO
04h–05h	PCICMD	PCI Command Register	000Fh	R/W
06h–07h	PCISTA	PCI Device Status Register	0280h	R/W
08h	RID	Revision ID	Note 1	RO
09h	PI	Programming Interface	00h	RO
0Ah	SCC	Sub Class Code	01h	RO
0Bh	BCC	Base Class Code	06h	RO
0Eh	HEADT	Header Type	80h	RO
40h–43h	PMBASE	ACPI Base Address Register	00000001h	R/W
44h	ACPI_CNTL	ACPI Control	00h	R/W
4Eh–4Fh	BIOS_CNTL	BIOS Control Register	0000h	R/W
54h	TCO_CNTL	TCO Control	00h	R/W
58h–5Bh	GPIO_BASE	GPIO Base Address Register	00000001h	R/W
5Ch	GPIO_CNTL	GPIO Control Register	00h	R/W
60h–63h	PIRQ_ROUT	PIRQ[A-D] Routing Control	80h	R/W
64h	SIRQ_CNTL	Serial IRQ Control Register	10h	R/W
88h	D31_ERR_CFG	Device 31 Error Configuration Register	00h	R/W
8Ah	D31_ERR_STS	Device 31 Error Status Register	00h	R/W
90h–91h	PCI_DMA_C	PCI DMA Configuration Registers	0000h	R/W

Table 8-1. PCI Configuration Map (LPC Interface—D31:F0) (Sheet 2 of 2)

Offset	Mnemonic	Register Name	Default	Type
A0h–CFh		Power Management Registers See Section 8.8.1		
D0h–D3h	GEN_CNTL	General Control	00000000h (ICH: 82801AA) 02000000h (ICH0: 82801AB)	R/W
D4h–D7h	GEN_STA	General Status	00000F00h	R/W
D8h	RTC_CONF	Real Time Clock Configuration	00h	R/W
E0h	COM_DEC	LPC I/F COM Port Decode Ranges	00h	R/W
E1h	LPCFDD_DEC	LPC I/F FDD & LPT Decode Ranges	00h	R/W
E2h	SND_DEC	LPC I/F Sound Decode Ranges	00h	R/W
E3h	FWH_DEC_EN	FWH Decode Enable	80h	R/W
E4h–E5h	GEN1_DEC	LPC I/F General 1 Decode Range	0000h	R/W
ECh–EDh	GEN2_DEC	LPC I/F General 2 Decode Range	0000h	R/W
E8h	FWH_SEL	FWH Select	00112233h	R/W
E6h–E7h	LPC_EN	LPC I/F Enables	00h	R/W
F2h–F3h	FUNC_DIS	Function Disable Register	0000h	R/W

**NOTES:**

1. Refer to ICH Specification Updates for the value of the Revision ID.
2. Addresses that are not listed in the above table are reserved and read only.

### 8.1.1 VID—Vendor ID Register (LPC I/F—D31:F0)

Offset Address: 00h–01h                      Attribute: RO  
 Default Value: 8086h                        Size: 16 bits  
 Lockable: No                                  Power Well: Core

Bit	Description
15:0	<b>Vendor ID Value.</b> This is a 16 bit value assigned to Intel. Intel VID = 8086h

### 8.1.2 DID—Device ID Register (LPC I/F—D31:F0)

Offset Address: 02h–03h                      Attribute: RO  
 Lockable: No                                  Size: 16 bits  
 Power Well: Core  
 Default Value: 2410h (ICH: 82801AA)  
 2420h (ICH0: 82801AB)

Bit	Description
15:0	<b>Device ID Value.</b> This is a 16 bit value assigned to the ICH LPC Bridge.



### 8.1.3 PCICMD—PCI COMMAND Register (LPC I/F—D31:F0)

Offset Address:	04–05h	Attribute:	R/W
Default Value:	000Fh	Size:	16 bits
Lockable:	No	Power Well:	Core

Bit	Description
15:10	Reserved.
9	Fast Back to Back Enable (FBE)— RO. Hardwired to '0'.
8	<b>SERR_EN</b> (SERR# Enable)— R/W. 1 = Enable. Allow SERR# to be generated. 0 = Disable.
7	Wait Cycle Control (WCC)— RO. Hardwired to '0'.
6	<b>ICH (82801AA):</b> <b>Parity Error Response (PER)— R/W.</b> 1 = The 82801AA takes normal action when a parity error is detected. Parity errors on PCI will cause an NMI, if NMI's are enabled. 0 = No action is taken when detecting a parity error. Note: If parity error checking is enabled (either with this bit or D30:F0, BRIDGE_CNT[bit 0]), then parity errors on PCI will cause an NMI, if NMI's are enabled. Some operating systems will not attempt to recover from this NMI, since it considers the detection of a PCI error as a catastrophic event. <b>ICH0 (82801AB):</b> Parity Error Response (PER)—RO. Hardwired to '0'.
5	VGA Palette Snoop (VPS)— RO. Hardwired to '0'
4	Postable Memory Write Enable (PMWE)— RO. Hardwired to '0'
3	Special Cycle Enable (SCE)—RO. Hardwired to '1'.
2	Bus Master Enable (BME)— RO. Hardwired to '1' to indicate that bus mastering can not be disabled for function 0 (DMA/ISA Master)
1	Memory Space Enable (MSE)— RO. Hardwired to '1' to indicate that memory space can not be disabled for Function 0 (LPC I/F)
0	I/O Space Enable (IOE)— RO. Hardwired to '1' to indicate that the I/O space cannot be disabled for function 0 (LPC I/F)

## 8.1.4 PCISTA—PCI Device Status (LPC I/F—D31:F0)

Offset Address:	06–07h	Attribute:	R/W
Default Value:	0280h	Size:	16 bits
Lockable:	No	Power Well:	Core

Bit	Description
15	<p><b>ICH (82801AA):</b>  <b>Detected Parity Error (DPE)— R/W.</b>            1 = PERR# signal goes active. Set even if the PER bit is 0. This bit is cleared by writing a 1 to this bit position.</p> <p><b>ICH0 (82801AB):</b>            Detected Parity Error (DPE)—RO. Hardwired to '0'.</p>
14	<p><b>Signaled System Error (SSE)— R/W.</b>            1 = This bit is set by the ICH if the SERR_EN bit is set and the ICH generates an SERR# on function 0. The ERR_STS register can be read to determine the cause of the SERR#. The SERR# can be routed to cause SMI#, NMI, or interrupt.</p>
13	<p><b>Master Abort Status (RMA)— R/W.</b>            1 = ICH generated a master abort on PCI due to LPC I/F master or DMA cycles.            0 = This bit is cleared by writing a 1 to the bit position.</p>
12	<p><b>Received Target Abort (RTA)— R/W.</b>            1 = ICH received a target abort during LPC I/F master or DMA cycles to PCI.            0 = This bit is cleared by writing a 1 to the bit position.</p>
11	<p><b>Signaled Target Abort (STA)— R/W.</b>            1 = ICH generated a target abort condition on PCI cycles claimed by the ICH for ICH internal registers or for going to LPC I/F.            0 = This bit is cleared by writing a 1 to the bit position.</p>
10:9	<p><b>DEVSEL# Timing Status (DEV_STS)— RO.</b>            01 = Medium Timing.</p>
8	<p><b>ICH (82801AA):</b>  <b>Data Parity Error Detected (DPED):</b>            1 = This bit is set when the following conditions occur:</p> <ol style="list-style-type: none"> <li>1. The ICH is the initiator of the cycle,</li> <li>2. The ICH asserted PERR# (for reads) or observed PERR# (for writes), and</li> <li>3. The PER bit is set.</li> </ol> <p>0 = This bit is reset by writing a 1.</p> <p><b>ICH0 (82801AB):</b>  <b>Data Parity Error Detected (DPED)—RO. Hardwired to '0'.</b></p>
7	<p><b>Fast Back to Back (FB2B)— RO. Always 1. Indicates ICH as a target can accept fast back-to-back transactions.</b></p>
6	<p><b>User Definable Features (UDF). Hardwired to '0'</b></p>
5	<p><b>66 MHz Capable (66MHZ_CAP)— RO. Hardwired to '0'</b></p>
4:0	<p>Reserved.</p>

### 8.1.5 RID—Revision ID Register (LPC I/F—D31:F0)

Offset Address: 08h   Attribute:                    RO  
 Default Value: See ICH Spec. Updates                   Size:                         8 bits

Bit	Description
7:0	<b>Revision Identification Number.</b> 8-bit value that indicates the revision number for the LPC bridge. Refer to ICH Specification Updates for this value.

### 8.1.6 PI—Programming Interface (LPC I/F—D31:F0)

Address Offset: 09h   Attribute:                    RO  
 Default Value: 00h   Size:                         8 bits

Bit	Description
7:0	<b>Programming Interface Value.</b>

### 8.1.7 SCC—Sub-Class Code Register (LPC I/F—D31:F0)

Offset Address: 0Ah   Attribute:                    RO  
 Default Value: 01h   Size:                         8 bits

Bit	Description
7:0	<b>Sub-Class Code.</b> 8-bit value that indicates the category of bridge for the LPC PCI bridge.

### 8.1.8 BCC—Base-Class Code Register (LPC I/F—D31:F0)

Offset Address: 0Bh   Attribute:                    RO  
 Default Value: 06h   Size:                         8 bits

Bit	Description
7:0	<b>Base Class Code.</b> 8-bit value that indicates the type of device for the LPC bridge. The code is 06h indicating a bridge device.

### 8.1.9 HEADTYP—Header Type Register (LPC I/F—D31:F0)

Offset Address: 0Eh   Attribute:                    RO  
 Default Value: 80h   Size:                         8 bits

Bit	Description
7	<b>Multi-function Device.</b> This bit is '1' to indicate a multi-function device.
6:0	<b>Header Type.</b> 8-bit field identifies the header layout of the configuration space.

### 8.1.10 PMBASE—ACPI Base Address (LPC I/F—D31:F0)

Offset Address:	40–43h	Attribute:	R/W
Default Value:	00000001h	Size:	32 bits
Lockable:	No	Usage:	ACPI, Legacy
		Power Well:	Core

Sets base address for ACPI I/O registers, GPIO registers and TCO I/O registers. Can be mapped anywhere in the 64K I/O space on 128-byte boundaries.

Bit	Description
31:16	Reserved.
15:7	<b>Base Address.</b> Provides 128 bytes of I/O space for ACPI, and TCO logic. This is placed on a 128-byte boundary.
6:1	Reserved.
0	<b>Resource Indicator:</b> RO. Tied to 1 to indicate I/O space.

### 8.1.11 ACPI\_CNTL—ACPI Control (LPC I/F — D31:F0)

Offset Address:	44h	Attribute:	R/W
Default Value:	00h	Size:	8 bits
Lockable:	No	Usage:	ACPI, Legacy
		Power Well:	Core

Bit	Description																		
7:5	Reserved.																		
4	<b>ACPI Enable (ACPI_EN).</b> 1 = Enable. Decode of the I/O range pointed to by the ACPI base register is enabled, and the ACPI power management function is enabled. Note that the APM power management ranges (B2/B3h) are always enabled and are not affected by this bit. 0 = Disable.																		
3	Reserved.																		
2:0	<b>SCI IRQ Select (SCI_IRQ_SEL).</b> Specifies on which IRQ the SCI will internally appear. If not using the APIC, the SCI must be routed to IRQ[9:11], and that interrupt is not sharable with the SERIRQ stream, but is shareable with other PCI interrupts. If using the APIC, the SCI can also be mapped to IRQ[20:23], and can be shared with other interrupts.  <table> <thead> <tr> <th>Bits</th> <th>SCI Map</th> </tr> </thead> <tbody> <tr> <td>000</td> <td>IRQ9</td> </tr> <tr> <td>001</td> <td>IRQ10</td> </tr> <tr> <td>010</td> <td>IRQ11</td> </tr> <tr> <td>011</td> <td>Reserved</td> </tr> <tr> <td>100</td> <td>IRQ20 (Only available if APIC enabled)</td> </tr> <tr> <td>101</td> <td>IRQ21 (Only available if APIC enabled)</td> </tr> <tr> <td>110</td> <td>IRQ22 (Only available if APIC enabled)</td> </tr> <tr> <td>111</td> <td>IRQ23 (Only available if APIC enabled)</td> </tr> </tbody> </table>	Bits	SCI Map	000	IRQ9	001	IRQ10	010	IRQ11	011	Reserved	100	IRQ20 (Only available if APIC enabled)	101	IRQ21 (Only available if APIC enabled)	110	IRQ22 (Only available if APIC enabled)	111	IRQ23 (Only available if APIC enabled)
Bits	SCI Map																		
000	IRQ9																		
001	IRQ10																		
010	IRQ11																		
011	Reserved																		
100	IRQ20 (Only available if APIC enabled)																		
101	IRQ21 (Only available if APIC enabled)																		
110	IRQ22 (Only available if APIC enabled)																		
111	IRQ23 (Only available if APIC enabled)																		

### 8.1.12 BIOS\_CNTL (LPC I/F—D31:F0)

Offset Address:	4E–4Fh	Attribute:	R/W
Default Value:	0000h	Size:	16 bits
Lockable:	No	Power Well:	Core

Bit	Description
15:2	Reserved.
1	<b>BIOS Lock Enable (BLE).</b> Once set, this bit can only be cleared by a PCIRST#. 1 = Setting the BIOSWE bit will cause SMIs. 0 = Setting the BIOSWE will not cause SMIs.
0	<b>BIOS Write Enable (BIOSWE).</b> When this bit is written from a '0' to a '1' and BIOS lock Enable (BLE) is also set, an SMI# is generated. This ensures that only SMM code can update BIOS. 1 = Access to the BIOS space is enabled for both read and write cycles. 0 = Only read cycles result in LPC I/F cycles.

### 8.1.13 TCO\_CNTL — TCO Control (LPC I/F — D31:F0)

Offset Address:	54h	Attribute:	R/W
Default Value:	00h	Size:	8 bits
Lockable:	No	Power Well:	Core

Bit	Description
7:4	Reserved.
3	<b>TCO Interrupt Enable (TCO_INT_EN).</b> This bit enables/disables the TCO interrupt. 1 = Enables TCO Interrupt, as selected by the TCO_INT_SEL field. 0 = Disables TCO interrupt.
2:0	<b>TCO Interrupt Select (TCO_INT_SEL).</b> Specifies on which IRQ the TCO will internally appear. If not using the APIC, the TCO interrupt must be routed to IRQ[9:11], and that interrupt is not sharable with the SERIRQ stream, but is shareable with other PCI interrupts. If using the APIC, the TCO interrupt can also be mapped to IRQ[20:23], and can be shared with other interrupt. Note that if the TCOSCI_EN bit is set (bit 6 in this register), then the TCO interrupt will be sent to the same interrupt as the SCI, and the TCO_INT_SEL bits will have no meaning. <b>Bits            SCI Map</b> 000            IRQ9 001            IRQ10 010            IRQ11 011            Reserved 100            IRQ20 (Only available if APIC enabled) 101            IRQ21 (Only available if APIC enabled) 110            IRQ22 (Only available if APIC enabled) 111            IRQ23 (Only available if APIC enabled)

### 8.1.14 GPIOBASE—GPIO Base Address (LPC I/F—D31:F0)

Offset Address: 58h–5Bh                      Attribute: R/W  
 Default Value: 00000001h                  Size: 32 bits  
 Lockable: No                                  Power Well: Core

Bit	Description
31:16	Reserved.
15:6	<b>Base Address.</b> Provides the 64 bytes of I/O space for GPIO.
5:1	Reserved.
0	<b>Resource Indicator.</b> Tied to 1 to indicate I/O space.

### 8.1.15 GPIO\_CNTL—GPIO Control (LPC I/F—D31:F0)

Offset Address: 5Ch                              Attribute: R/W  
 Default Value: 00h                              Size: 8 bits  
 Lockable: No                                      Power Well: Core

Bit	Description
7:5	Reserved.
4	<b>GPIO Enable (GPIO_EN).</b> This bit enables/disables decode of the I/O range pointed to by the GPIO base register and enables/disables the GPIO function. 1 = Enable 0 = Disable
3:0	Reserved.

### 8.1.16 PIRQ[n]\_ROUT—PIRQ[A,B,C,D] Routing Control (LPC I/F—D31:F0)

Offset Address:	PIRQA–60h, PIRQB–61h, PIRQC–62h, PIRQD–63h	Attribute:	R/W
Default Value:	80h	Size:	8 bits
Lockable:	No	Power Well:	Core

Bit	Description
7	<b>Interrupt Routing Enable (IRQEN).</b> 0 = The corresponding PIRQ is routed to one of the ISA-compatible interrupts specified in bits[3:0]. 1 = The PIRQ is not routed to the 8259.  Note: If the PIRQ is intended to cause an interrupt to the ICH's integrated I/O APIC, then this bit should be set to 0 and the APIC_EN bit should be set to 1. The IRQEN must be set to 0 and the PIRQ routed to an 8259 interrupt via the IRQ Routing field (bits[3:0]). The corresponding 8259 interrupt must be masked via the appropriated bit in the 8259's OCW1 (Interrupt Mask) register. The IOAPIC must then be enabled by setting the APIC_EN bit in the GEN_CNTL register.
6:4	Reserved.
3:0	<b>IRQ Routing.</b> (ISA compatible). 0000 = Reserved      1000 = Reserved 0001 = Reserved      1001 = IRQ9 0010 = Reserved      1010 = IRQ10 0011 = IRQ3            1011 = IRQ11 0100 = IRQ4            1100 = IRQ12 0101 = IRQ5            1101 = Reserved 0110 = IRQ6            1110 = IRQ14 0111 = IRQ7            1111 = IRQ15

### 8.1.17 SERIRQ\_CNTL—Serial IRQ Control (LPC I/F—D31:F0)

Offset Address:	64h	Attribute:	R/W
Default Value:	10h	Size:	8 bits
Lockable:	No	Power Well:	Core

Bit	Description
7	<b>Serial IRQ Enable (SIRQEN).</b> 1 = Serial IRQs are recognized. The SERIRQ pin is configured as SERIRQ. 0 = The buffer is input only and internally SERIRQ will be a '1'.
6	<b>Serial IRQ Mode Select (SIRQMD).</b> For systems using Quiet Mode, this bit should be set to 1 (Continuous Mode) for at least one frame after coming out of reset before switching back to Quiet Mode. Failure to do so will result in the ICH not recognizing SERIRQ interrupts. 1 = The serial IRQ machine will be in continuous mode. 0 = The serial IRQ machine will be in quiet mode.
5:2	<b>Serial IRQ Frame Size (SIRQSZ).</b> Fixed field that indicates the size of the SERIRQ frame. In the ICH, this field needs to be programmed to 21 frames (0100). This is an offset from a base of 17 which is the smallest data frame size.
1:0	<b>Start Frame Pulse Width (SFPW).</b> This is the number of PCI clocks that the SERIRQ pin will be driven low by the serial IRQ machine to signal a start frame. In continuous mode, the ICH will drive the start frame for the number of clocks specified. In quiet mode, the ICH will drive the start frame for the number of clocks specified minus one, as the first clock was driven by the peripheral. 00 = 4 clocks 01 = 6 clocks 10 = 8 clocks 11 = Reserved

### 8.1.18 D31\_ERR\_CFG—Device 31 Error Configuration Register (LPC I/F—D31:F0)

Offset Address:	88h	Attribute:	R/W
Default Value:	00h	Size:	8 bits
Lockable:	No	Power Well:	Core

This register configures the ICH's Device 31 responses to various system errors. The actual assertion of SERR# is enabled via the PCI Command register

Bit	Description
7:3	Reserved.
2	<b>SERR_RTA_EN.</b> Enable for SERR# on receiving target abort. 1 = When this bit is 1 and SERR_EN is set, the ICH will generate SERR# when SERR_RTA is set.
1	<b>SERR_DTT_EN.</b> Enable for SERR# on Delayed Transaction Timeout. 1 = When this bit is set and the SERR_EN is set, the ICH will generate SERR# when SERR_DTT bit is set.
0	Reserved

### 8.1.19 D31\_ERR\_STS—Device 31 Error Status Register (LPC I/F—D31:F0)

Offset Address:	8Ah	Attribute:	Read-Write
Default Value:	00h	Size:	8 bits
Lockable:	No	Power Well:	Core

This register configures the ICH's Device 31 responses to various system errors. The actual assertion of SERR# is enabled via the PCI Command register.

Bit	Description
7:3	Reserved.
2	<b>SERR_RTA.</b> SERR# Due to Received Target Abort. 1 = The ICH sets this bit when it receives a target abort. If SERR_EN, the ICH will also generate an SERR# when SERR_RTA is set. This bit is cleared by writing a 1 back to this bit.
1	<b>SERR_DTT.</b> SERR# Due to Delayed Transaction Timeout. 1 = When a PCI master does not return for the data within 1 ms of the cycle's completion, the ICH clears the delayed transaction and sets this bit. If both SERR_DTT_EN and SERR_EN are set, then ICH will also generate an SERR# when SERR_DTT is set. This bit is cleared by writing a 1 back to this bit.
0	Reserved.



### 8.1.20 PCI\_DMA\_CFG—PCI DMA Configuration (LPC I/F—D31:F0)

Offset Address:	90h–91h	Attribute:	R/W
Default Value:	0000h	Size:	16 bits
Lockable:	No	Power Well:	Core

Bit	Description
15:14	<b>Channel 7 Select.</b> 00 = Reserved 01 = PC/PCI DMA 10 = Reserved 11 = LPC I/F DMA
13:12	<b>Channel 6 Select.</b> Same bit decode as for Channel 7
11:10	<b>Channel 5 Select.</b> Same bit decode as for Channel 7
9:8	Reserved.
7:6	<b>Channel 3 Select.</b> Same bit decode as for Channel 7
5:4	<b>Channel 2 Select.</b> Same bit decode as for Channel 7
3:2	<b>Channel 1 Select.</b> Same bit decode as for Channel 7
1:0	<b>Channel 0 Select.</b> Same bit decode as for Channel 7

### 8.1.21 GEN\_CNTL — General Control Register (LPC I/F — D31:F0)

Offset Address:	D0h–D3h	Attribute:	R/W
Lockable:	No	Size:	32 bits
		Power Well:	Core

Default Value: 00000000h (ICH: 82801AA)  
02000000h (ICH0; 82901AB)

Bit	Description
31:26	Reserved.
25	<b>ICH (82801AA):</b> <b>PCPCIB_SEL.</b> 1 = The PCI REQ[5]#/GNT[5]# pair will, instead, be used for PC/PCI REQ[B]#/GNT[B]#. The corresponding bits in the GPIO USE_SEL register must also be set to 0. If the corresponding bits in the GPIO USE_SEL register are set to 1, then the signals will be used as a GPI and GPO <b>ICH0 (82801AB):</b> Reserved
24	<b>HIDE_MISA.</b> 1 = Software sets this bit to 1 to disable configuration cycle from being claimed by the 82380AB PCI-TO-ISA Bridge (MISA). This will prevent the OS PCI PnP from getting confused by seeing two ISA bridges. It is required for the ICH PCI address line AD22 to connect to the MISA IDSEL. When this bit is set, the ICH does not assert AD22 during configuration cycles to the MISA. 0 = The ICH does not prevent AD22 from asserting during configuration cycles to the MISA.
23:14	Reserved.

Bit	Description
13	<b>Coprocessor Error Enable (COPR_ERR_EN).</b> 1 = When FERR# is low, ICH generates IRQ13 internally and holds it until an I/O write to port F0h. It will also drive IGNNE# active. 0 = FERR# will not generate IRQ13 nor IGNNE#.
12	<b>Keyboard IRQ1 Latch Enable (IRQ1LEN).</b> 1 = The active edge of IRQ1 will be latched and held until a port 60h read. 0 = IRQ1 will bypass the latch.
11	<b>Mouse IRQ12 Latch Enable (IRQ12LEN).</b> 1 = The active edge of IRQ12 will be latched and held until a port 60h read. 0 = IRQ12 will bypass the latch.
10:9	Reserved
8	<b>APIC Enable (APIC_EN).</b> 1 = Enables the internal I/O APIC and its address decode. 0 = Disables internal I/O APIC.
7	Reserved.
6	<b>Alternate Access Mode Enable (ALTACC_EN).</b> 1 = Alt Access Mode Enable 0 = Alt Access Mode Disabled (default). Alt Access Mode allows reads to otherwise unreadable registers and writes otherwise unwriteable registers.
5:3	Reserved.
2	<b>DMA Collection Buffer Enable (DCB_EN).</b> 1 = Enables DMA Collection Buffer (DCB) for LPC I/F and PC/PCI DMA. 0 = DCB disabled.
1	<b>Delayed Transaction Enable (DTE).</b> 1 = ICH enables delayed transactions for internal register, FWH and LPC I/F accesses. 0 = delayed transactions disabled.
0	<b>Positive Decode Enable (POS_DEC_EN).</b> 1 = Enables ICH to only perform positive decode on the PCI bus. 0 = The ICH will perform subtractive decode on the PCI bus and forward the cycles to LPC I/F if not to an internal register or other known target on LPC I/F. Accesses to internal registers and to known LPC I/F devices will still be positively decoded.

## 8.1.22 GEN\_STA—General Status (LPC I/F—D31:F0)

Offset Address:	D4h–D7h	Attribute:	R/W
Default Value:	0000F0Xh	Size:	32 bits
Lockable:	No	Power Well:	Core(0:7), RTC (8:15)

Bit	Description
31:13	Reserved.
12	<p><b>ICH (82801AA):</b>  <b>Enables Processor BIST (CPU_BIST_EN)—R/W.</b>                      1 = Enable. If this bit is set, then the INIT# signal will be driven active when CPURST# is active. INIT# will go inactive with the same timings as the other processor interface signals (Hold Time after CPURST# inactive). Note that CPURST# is generated by the host controller, but the ICH has a hub interface special cycle that allows the ICH to control the assertion/deassertion of CPURST#.</p> <p>0 = Disable</p> <p><b>ICH0 (82801AB):</b>                      Reserved</p>
11:8	<p><b>FREQ_STRAP[3:0]—R/W:</b> These bits determine the internal frequency multiplier of the processor. These bits can be reset to 1111 based on an external pin strap or via the RTCRST# input signal. Software must program this field based on the processor's specified frequency. These bits are in the RTC well.</p>
7:3	Reserved
2	<p><b>SAFE_MODE—RO.</b>                      1 = ICH sampled AC_SDOUT high on the rising edge of PWROK. ICH will force FREQ_STRAP[3:0] bits to all 1's (safe mode multiplier).                      0 = ICH sampled AC_SDOUT low on the rising edge of PWROK.</p>
1	<p><b>NO_REBOOT—R/W.</b>                      1 = ICH will disable the TCO Timer system reboot feature. This bit is set either by hardware when SPKR is sampled low on the rising edge of PWROK, or by software writing a 1 to the bit.</p>
0	Reserved



### 8.1.25 FDD/LPT\_DEC—LPC I/F FDD & LPT Decode Ranges (LPC I/F—D31:F0)

Offset:	E1h	Attribute:	Read/Write
Default Value:	00h	Size:	8 bits
Lockable:	No	Power Well:	Core

Bit	Description
7:5	Reserved
4	<b>FDD Decode Range.</b> The following list describes which range to decode for the FDD Port. 0 = 3F0h–3F5h, 3F7h (Primary) 1 = 370h–2FFh (Secondary)
3:2	Reserved
1:0	<b>LPT Decode Range.</b> The following list describes which range to decode for the LPT Port. 00 = 378h–37Fh and 778h–77Fh 01 = 278h–27Fh (port 279h is read only) and 678h–67Fh 10 = 3BCh–3BEh and 7BCh–7BEh 11 = Reserved

### 8.1.26 SND\_DEC—LPC I/F Sound Decode Ranges (LPC I/F—D31:F0)

Offset:	E2h	Attribute:	Read/Write
Default Value:	00h	Size:	8 bits
Lockable:	No	Power Well:	Core

Bit	Description
7:6	Reserved
5:4	<b>MSS Decode Range.</b> The following list describes which range to decode for the Microsoft® Sound System (MSS). 00 = 530h–537h 01 = 604h–60Bh 10 = E80h–E87h 11 = F40h–F47h
3	<b>MIDI Decode Range.</b> The following list describes which range to decode for the Midi Port. 0 = 330h–331h 1 = 300h–301h
2	Reserved
1:0	<b>SB16 Decode Range.</b> The following list describes which range to decode for the Sound Blaster 16 (SB16) Port. 00 = 220h–233h 01 = 240h–253h 10 = 260h–273h 11 = 280h–293h

### 8.1.27 GEN1\_DEC—LPC I/F Generic Decode Range 1 (LPC I/F—D31:F0)

Offset: E4h–E5h Attribute: Read/Write  
 Default Value: 00h Size: 16 bits  
 Lockable: Yes Power Well: Core

Bit	Description
15:7	<b>GEN1_BASE.</b> Base address for this generic I/O decode range. This address is aligned on a 128-byte boundary and must have address lines 31:16 as 0. Note that this generic decode is for I/O addresses only, not memory addresses.
6:1	Reserved. Read as 0
0	<b>GEN1_EN.</b> 1 = Enable. Enables the GEN1 I/O range to be forwarded to the LPC I/F. 0 = Disable

### 8.1.28 GEN2\_DEC—LPC I/F Generic Decode Range 2 (LPC I/F—D31:F0)

Offset: ECh–EDh Attribute: Read/Write  
 Default Value: 00h Size: 16 bits  
 Lockable: Yes Power Well: Core

Bit	Description
15:4	<b>GEN2_BASE.</b> Base address for this generic I/O decode range. This address is aligned on a 16-byte boundary, and must have address lines 31:16 as 0. Note that this generic decode is for I/O addresses only, not memory addresses.
3:1	Reserved. Read as 0
0	<b>GEN2_EN.</b> 1 = Enable. Enables the GEN2 I/O range to be forwarded to the LPC I/F. 0 = Disable.

## 8.1.29 LPC\_EN—LPC I/F Enables (LPC I/F—D31:F0)

Offset:	E6h–E7h	Attribute:	Read/Write
Default Value:	00h	Size:	16 bits
Lockable:	Yes	Power Well:	Core

For the bits in this register 1 = Enable and 0 = Disable.

Bit	Description
15:14	Reserved
13	<b>CNF2_LPC_EN.</b> This bit enables the decoding of the I/O locations 4Eh and 4Fh to the LPC interface. This range is used for a microcontroller.
12	<b>CNF1_LPC_EN.</b> This bit enables the decoding of the I/O locations 2Eh and 2Fh to the LPC interface. This range is used for Super I/O devices.
11	<b>MC_LPC_EN:</b> This bit enables the decoding of the I/O locations 62h and 66h to the LPC interface. This range is used for a MicroController.
10	<b>KBC_LPC_EN:</b> This bit enables the decoding of the I/O locations 60h and 64h to the LPC interface. This range is used for a microcontroller.
9	<b>GAMEH_LPC_EN:</b> This bit enables the decoding of the I/O locations 208h to 20Fh to the LPC interface. This range is used for a game port.
8	<b>GAMEL_LPC_EN:</b> This bit enables the decoding of the I/O locations 200h to 207h to the LPC interface. This range is used for a game port.
7	<b>ADLIB_LPC_EN:</b> This bit enables the decoding of the I/O locations 388h–38Bh to the LPC interface.
6	<b>MSS_LPC_EN:</b> This bit enables the decoding of the MSS range to the LPC interface. This range is selected in the LPC_Sound Decode Range Register.
5	<b>MIDI_LPC_EN:</b> This bit enables the decoding of the MIDI range to the LPC interface. This range is selected in the LPC_Sound Decode Range Register.
4	<b>SB16_LPC_EN:</b> This bit enables the decoding of the SB16 range to the LPC interface. This range is selected in the LPC_Sound Decode Range Register.
3	<b>FDD_LPC_EN:</b> This bit enables the decoding of the FDD range to the LPC interface. This range is selected in the LPC_FDD/LPT Decode Range Register.
2	<b>LPT_LPC_EN:</b> This bit enables the decoding of the LPT range to the LPC interface. This range is selected in the LPC_FDD/LPT Decode Range Register.
1	<b>COMB_LPC_EN:</b> This bit enables the decoding of the COMB range to the LPC interface. This range is selected in the LPC_COM Decode Range Register.
0	<b>COMA_LPC_EN:</b> This bit enables the decoding of the COMA range to the LPC interface. This range is selected in the LPC_COM Decode Range Register.

### 8.1.30 FWH\_DEC\_EN—FWH Decode Enable Register (LPC I/F—D31:F0)

Offset Address: E3h Attribute: R/W  
 Default Value: 80h Size: 8 bits

Bit	Description
7	<p><b>FWH_F8_EN:</b> (Hardwired to 1) Enables decoding two 512 KB FWH memory ranges, and one 128 KB memory range.</p> <p>1 = Enable the following ranges for the FWH            FFF80000h–FFFFFFFFh            FFB80000h–FFBFFFFFFh            000E0000h–000FFFFFFh</p>
6	<p><b>FWH_F0_EN:</b> Enables decoding two 512 KB FWH memory ranges.</p> <p>1 = Enable the following ranges for the FWH            FFF00000h–FFF7FFFFh            FFB00000h–FFB7FFFFh</p> <p>0 = Disable</p>
5	<p><b>FWH_E8_EN:</b> Enables decoding two 512 KB FWH memory ranges.</p> <p>1 = Enable the following ranges for the FWH            FFE80000h–FFEFFFFFFh            FFA80000h–FFAFFFFFFh</p> <p>0 = Disable</p>
4	<p><b>FWH_E0_EN:</b> Enables decoding two 512 KB FWH memory ranges.</p> <p>1 = Enable the following ranges for the FWH            FFE00000h–FFE7FFFFh            FFA00000h–FFA7FFFFh</p> <p>0 = Disable</p>
3	<p><b>FWH_D8_EN:</b> Enables decoding two 512 KB FWH memory ranges.</p> <p>1 = Enable the following ranges for the FWH            FFD80000h–FFDFFFFFFh            FF980000h–FF9FFFFFFh</p> <p>0 = Disable</p>
2	<p><b>FWH_D0_EN:</b> Enables decoding two 512 KB FWH memory ranges.</p> <p>1 = Enable the following ranges for the FWH            FFD00000h–FFD7FFFFh            FF900000h–FF97FFFFh</p> <p>0 = Disable</p>
1	<p><b>FWH_C8_EN:</b> Enables decoding two 512 KB FWH memory ranges.</p> <p>1 = Enable the following ranges for the FWH            FFC80000h–FFCFFFFFFh            FF880000h–FF8FFFFFFh</p> <p>0 = Disable</p>
0	<p><b>FWH_C0_EN:</b> Enables decoding two 512 KB FWH memory ranges.</p> <p>1 = Enable the following ranges for the FWH            FFC00000h–FFC7FFFFh            FF800000h–FF87FFFFh</p> <p>0 = Disable</p>



### 8.1.31 FWH\_SEL—FWH Select Register (LPC I/F—D31:F0)

Offset Address: E8h   Attribute:                                   R/W  
 Default Value: 00112233h                                  Size:                                     32 bits

Bit	Description
31:28	<b>FWH_F8_IDSEL:</b> IDSEL for two 512 KB FWH memory ranges and one 128KB memory range. This field is fixed at 0000. The IDSEL value programmed in this field addresses the following memory ranges: FFF80000h–FFFFFFFFh FFB80000h–FFBFFFFFFh 000E0000h–000FFFFFFh
27:24	<b>FWH_F0_IDSEL:</b> IDSEL for two 512 KB FWH memory ranges. The IDSEL value programmed in this field addresses the following memory ranges: FFF00000h–FFF7FFFFh FFB00000h–FFB7FFFFh
23:20	<b>FWH_E8_IDSEL:</b> IDSEL for two 512 KB FWH memory ranges. The IDSEL value programmed in this field addresses the following memory ranges: FFE80000h–FFEFFFFFFh FFA80000h–FFAFFFFFFh
19:16	<b>FWH_E0_IDSEL:</b> IDSEL for two 512 KB FWH memory ranges. The IDSEL value programmed in this field addresses the following memory ranges: FFE00000h–FFE7FFFFh FFA00000h–FFA7FFFFh
15:12	<b>FWH_D8_IDSEL:</b> IDSEL for two 512 KB FWH memory ranges. The IDSEL value programmed in this field addresses the following memory ranges: FFD80000h–FFDFFFFFFh FF980000h–FF97FFFFh
11:8	<b>FWH_D0_IDSEL:</b> IDSEL for two 512 KB FWH memory ranges. The IDSEL programmed in this field addresses the following memory ranges: FFD00000h–FFD7FFFFh FF900000h–FF97FFFFh
7:4	<b>FWH_C8_IDSEL:</b> IDSEL for two 512KB FWH memory ranges. The IDSEL programmed in this field addresses the following memory ranges: FFC80000h–FFCFFFFFFh FF880000h–FF87FFFFh
3:0	<b>FWH_C0_IDSEL:</b> IDSEL for two 512 KB FWH memory ranges. The IDSEL value programmed in this field addresses the following memory ranges: FFC00000h–FFC7FFFFh FF800000h–FF87FFFFh

### 8.1.32 FUNC\_DIS—Function Disable Register (LPC I/F—D31:F0)

Offset: F2h–F3h Attribute: Read/Write  
 Default Value: 0000h Size: 16 bits  
 Lockable: No Power Well: Core

Bit	Description
15:9	Reserved
8	<p><b>SMB_FOR_BIOS:</b> This bit is used in conjunction with bit 3 in this register.</p> <p>1 = 'Allows the SMBus I/O space to be accessible by software when bit 3 in this register is set. The PCI configuration space is hidden in this case.            Note that if bit 3 is set alone, the decode of both SMBus PCI configuration and I/O space will be disabled.</p> <p>0 = No effect.</p>
7	Reserved
6	<p><b>F6_Disable:</b> Software sets this bit to disable the AC'97 modem controller function. When disabled, the ICH does not decode the PCI configuration space registers, I/O ranges, or memory ranges associated with the AC'97 modem controller. When this bit is set, the AC'97 modem controller will not cause any interrupts or power management events.</p> <p>0 = AC'97 Modem is enabled            1 = AC'97 Modem is disabled</p>
5	<p><b>F5_Disable:</b> Software sets this bit to disable the AC'97 audio controller function. When disabled, the ICH does not decode the PCI configuration space registers, I/O ranges, or memory ranges associated with the AC'97 audio controller. When this bit is set, the AC'97 audio controller will not cause any interrupts or power management events.</p> <p>0 = AC'97 audio controller is enabled            1 = AC'97 audio controller is disabled</p>
4	Reserved.
3	<p><b>F3_Disable:</b> Software sets this bit to disable the SMBus Host Controller function. When disabled, the ICH does not decode the PCI configuration space registers, I/O ranges, or memory ranges associated with the SMBus controller. When this bit is set, the SMBus controller will not cause any interrupts or power management events.</p> <p>0 = SMBus controller is enabled            1 = SMBus controller is disabled</p>
2	<p><b>F2_Disable:</b> Software sets this bit to disable the USB controller function. When disabled, the ICH does not decode the PCI configuration space registers, I/O ranges, or memory ranges associated with the USB controller. When this bit is set, the USB controller will not cause any interrupts or power management events.</p> <p>0 = USB controller is enabled            1 = USB controller is disabled</p>
1	<p><b>F1_Disable:</b> Software sets this bit to disable the IDE controller function. When disabled, the ICH does not decode the PCI configuration space registers, I/O ranges, or memory ranges associated with the IDE controller. When this bit is set, the IDE controller will not cause any interrupts or power management events.</p> <p>0 = IDE controller is enabled            1 = IDE controller is disabled</p>
0	Reserved.

## 8.2 DMA I/O Registers

Table 8-2. DMA Registers (Sheet 1 of 2)

Port	Alias	Register Name/Function	Default	Type
00h	10h	Channel 0 DMA Base & Current Address Register	Undefined	R/W
01h	11h	Channel 0 DMA Base & Current Count Register	Undefined	R/W
02h	12h	Channel 1 DMA Base & Current Address Register	Undefined	R/W
03h	13h	Channel 1 DMA Base & Current Count Register	Undefined	R/W
04h	14h	Channel 2 DMA Base & Current Address Register	Undefined	R/W
05h	15h	Channel 2 DMA Base & Current Count Register	Undefined	R/W
06h	16h	Channel 3 DMA Base & Current Address Register	Undefined	R/W
07h	17h	Channel 3 DMA Base & Current Count Register	Undefined	R/W
08h	18h	Channel 0–3 DMA Command Register	Undefined	WO
		Channel 0–3 DMA Status Register	Undefined	RO
0Ah	1Ah	Channel 0–3 DMA Write Single Mask Register	00001XXb	WO
0Bh	1Bh	Channel 0–3 DMA Channel Mode Register	00000XXb	WO
0Ch	1Ch	Channel 0–3 DMA Clear Byte Pointer Register	Undefined	WO
0Dh	1Dh	Channel 0–3 DMA Master Clear Register	Undefined	WO
0Eh	1Eh	Channel 0–3 DMA Clear Mask Register	Undefined	WO
0Fh	1Fh	Channel 0–3 DMA Write All Mask Register	0Fh	R/W
80h	90h	Reserved Page Register	Undefined	R/W
81h	91h	Channel 2 DMA Memory Low Page Register	Undefined	R/W
82h	-	Channel 3 DMA Memory Low Page Register	Undefined	R/W
83h	93h	Channel 1 DMA Memory Low Page Register	Undefined	R/W
84h–86h	94h–96h	Reserved Page Registers	Undefined	R/W
87h	98h	Channel 0 DMA Memory Low Page Register	Undefined	R/W
88h	98h	Reserved Page Register	Undefined	R/W
89h	99h	Channel 6 DMA Memory Low Page Register	Undefined	R/W
8Ah	9Ah	Channel 7 DMA Memory Low Page Register	Undefined	R/W
8Bh	9Bh	Channel 5 DMA Memory Low Page Register	Undefined	R/W
8Ch–8Eh	9Ch–9Eh	Reserved Page Registers	Undefined	R/W
8Fh	9Fh	Refresh Low Page Register	Undefined	R/W
C0h	C1h	Channel 4 DMA Base & Current Address Register	Undefined	R/W
C2h	C3h	Channel 4 DMA Base & Current Count Register	Undefined	R/W
C4h	C5h	Channel 5 DMA Base & Current Address Register	Undefined	R/W
C6h	C7h	Channel 5 DMA Base & Current Count Register	Undefined	R/W
C8h	C9h	Channel 6 DMA Base & Current Address Register	Undefined	R/W
CAh	CBh	Channel 6 DMA Base & Current Count Register	Undefined	R/W
CCh	CDh	Channel 7 DMA Base & Current Address Register	Undefined	R/W

Table 8-2. DMA Registers (Sheet 2 of 2)

Port	Alias	Register Name/Function	Default	Type
CEh	CFh	Channel 7 DMA Base & Current Count Register	Undefined	R/W
D0h	D1h	Channel 4–7 DMA Command Register	Undefined	WO
		Channel 4–7 DMA Status Register	Undefined	RO
D4h	D5h	Channel 4–7 DMA Write Single Mask Register	000001XXb	WO
D6h	D7h	Channel 4–7 DMA Channel Mode Register	000000XXb	WO
D8h	D9h	Channel 4–7 DMA Clear Byte Pointer Register	Undefined	WO
DAh	DBh	Channel 4–7 DMA Master Clear Register	Undefined	WO
DCh	DDh	Channel 4–7 DMA Clear Mask Register	Undefined	WO
DEh	DFh	Channel 4–7 DMA Write All Mask Register	0Fh	R/W

### 8.2.1 DMABASE\_CA—DMA Base and Current Address Registers

I/O Address:	Ch. #0 = 00h; Ch. #1 = 02h Ch. #2 = 04h; Ch. #3 = 06h Ch. #5 = C4h; Ch. #6 = C8h Ch. #7 = CCh;	Attribute:	RO
Default Value:	Undef	Size:	16 bits (per channel), but accessed in two 8 bits quantities
Lockable:	No	Power Well:	Core

Bit	Description
15:0	<p><b>Base and Current Address.</b> This register determines the address for the transfers to be performed. The address specified points to two separate registers. On writes, the value is stored in the <i>Base Address</i> register and copied to the <i>Current Address</i> register. On reads, the value is returned from the <i>Current Address</i> register.</p> <p>The address increments/decrements in the Current Address register after each transfer, depending on the mode of the transfer. If the channel is in auto-initialize mode, the Current Address register will be reloaded from the Base Address register after a terminal count is generated.</p> <p>For transfers to/from a 16-bit slave (channel's 5-7), the address is shifted left one bit location. Bit 15 will be shifted out. Therefore, if bit 15 was a '1', it will be lost.</p> <p>The register is accessed in 8 bit quantities. The byte is pointed to by the current byte pointer flip/flop. Before accessing an address register, the byte pointer flip/flop should be cleared to ensure that the low byte is accessed first</p>

## 8.2.2 DMABASE\_CC—DMA Base and Current Count Registers

I/O Address:	Ch. #0: = 01h; Ch. #1 = 03h Ch. #2: = 05h; Ch. #3 = 07h Ch. #5 = C6h; Ch. #6 = CAh Ch. #7 = CEh;	Attribute: Size:	R/W 16 bits (per channel), but accessed in two 8 bits quantities
Default Value:	Undefined	Power Well:	Core
Lockable:	No		

Bit	Description
15:0	<p><b>Base and Current Count.</b> This register determines the number of transfers to be performed. The address specified points to two separate registers. On writes, the value is stored in the <i>Base Count</i> register and copied to the <i>Current Count</i> register. On reads, the value is returned from the <i>Current Count</i> register.</p> <p>The actual number of transfers is one more than the number programmed in the Base Count Register (i.e., programming a count of 4h results in 5 transfers). The count is decrements in the Current Count register after each transfer. When the value in the register rolls from zero to FFFFh, a terminal count is generated. If the channel is in auto-initialize mode, the Current Count register will be reloaded from the Base Count register after a terminal count is generated.</p> <p>For transfers to/from an 8-bit slave (channel's 0–3), the count register indicates the number of bytes to be transferred. For transfers to/from a 16-bit slave (channel's 5–7), the count register indicates the number of words to be transferred.</p> <p>The register is accessed in 8 bit quantities. The byte is pointed to by the current byte pointer flip/flop. Before accessing a count register, the byte pointer flip/flop should be cleared to ensure that the low byte is accessed first.</p>

## 8.2.3 DMAMEM\_LP—DMA Memory Low Page Registers

I/O Address:	Ch. #0 = 87h; Ch. #1 = 83h Ch. #2 = 81h; Ch. #3 = 82h Ch. #5 = 8Bh; Ch. #6 = 89h Ch. #7 = 8Ah;	Attribute: Size:	R/W 8 bits
Default Value:	Undefined	Power Well:	Core
Lockable:	No		

Bit	Description
7:0	<p><b>DMA Low Page (ISA Address bits [23:16]).</b> This register works in conjunction with the DMA controller's Current Address Register to define the complete 24-bit address for the DMA channel. This register remains static throughout the DMA transfer.</p>

## 8.2.4 DMACMD—DMA Command Register

I/O Address: Ch. #0–3 = 08h;  
Ch. #4–7 = D0h Attribute: WO  
Default Value: Undefined Size: 8 bits  
Lockable: No Power Well: Core

Bit	Description
7:5	Reserved. Must be 0.
4	<b>DMA Group Arbitration Priority.</b> Each channel group is individually assigned either fixed or rotating arbitration priority. At part reset, each group is initialized in fixed priority. 0 = Fixed priority to the channel group 1 = Rotating priority to the group.
3	Reserved. Must be 0
2	<b>DMA Channel Group Enable.</b> Both channel groups are enabled following part reset. 1 = Disable. Disabling channel group 4–7 also disables channel group 0–3, which is cascaded through channel 4. 0 = Enable the DMA channel group.
1:0	Reserved. Must be 0.

## 8.2.5 DMASTA—DMA Status Register

I/O Address: Ch. #0–3 = 08h;  
Ch. #4–7 = D0h Attribute: RO  
Default Value: Undefined Size: 8 bits  
Lockable: No Power Well: Core

Bit	Description
7:4	<b>Channel Request Status.</b> When a valid DMA request is pending for a channel, the corresponding bit is set to 1. When a DMA request is not pending for a particular channel, the corresponding bit is set to 0. The source of the DREQ may be hardware or a software request. Note that channel 4 is the cascade channel, so the request status of channel 4 is a logical OR of the request status for channels 0 through 3. 4 = Channel 0 5 = Channel 1 (5) 6 = Channel 2 (6) 7 = Channel 3 (7)
3:0	<b>Channel Terminal Count Status.</b> When a channel reaches terminal count (TC), its status bit is set to 1. If TC has not been reached, the status bit is set to 0. Channel 4 is programmed for cascade, so the TC bit response for channel 4 is irrelevant: 0 = Channel 0 1 = Channel 1 (5) 2 = Channel 2 (6) 3 = Channel 3 (7)

## 8.2.6 DMA\_WRSMSK—DMA Write Single Mask Register

I/O Address:	Ch. #0–3 = 0Ah; Ch. #4–7 = D4h	Attribute:	WO
Default Value:	0000 01xx	Size:	8 bits
Lockable:	No	Power Well:	Core

Bit	Description
7:3	Reserved. Must be 0.
2	<b>Channel Mask Select.</b> 1 = Disable DREQ for the selected channel. 0 = Enable DREQ for the selected channel. The channel is selected through bits [1:0]. Therefore, only one channel can be masked / unmasked at a time.
1:0	<b>DMA Channel Select.</b> These bits select the DMA Channel Mode Register to program. 00 = Channel 0 (4) 01 = Channel 1 (5) 10 = Channel 2 (6) 11 = Channel 3 (7)

## 8.2.7 DMACH\_MODE—DMA Channel Mode Register

I/O Address:	Ch. #0–3 = 0Bh; Ch. #4–7 = D6h	Attribute:	WO
Default Value:	0000 00xx	Size:	8 bits
Lockable:	No	Power Well:	Core

Bit	Description
7:6	<b>DMA Transfer Mode.</b> Each DMA channel can be programmed in one of four different modes: 00 = Demand mode 01 = Single mode 10 = Reserved 11 = Cascade mode
5	<b>Address Increment/Decrement Select.</b> This bit controls address increment/decrement during DMA transfers. 0 = Address increment. (default after part reset or Master Clear) 1 = address decrement.
4	<b>Autoinitialize Enable.</b> 1 = DMA restores the Base Address and Count registers to the current registers following a terminal count (TC). 0 = Autoinitialize feature is disabled and DMA transfers terminate on a terminal count. A part reset or Master Clear disables autoinitialization.
3:2	<b>DMA Transfer Type.</b> These bits represent the direction of the DMA transfer. When the channel is programmed for cascade mode, (bits[7:6] = "11") the transfer type is irrelevant. 00 = Verify—No I/O or memory strobes generated 01 = Write—Data transferred from the I/O devices to memory 10 = Read—Data transferred from memory to the I/O device 11 = Illegal
1:0	<b>DMA Channel Select.</b> These bits select the DMA Channel Mode Register that will be written by bits [7:2]. 00 = Channel 0 (4) 01 = Channel 1 (5) 10 = Channel 2 (6) 11 = Channel 3 (7)

## 8.2.8 DMA Clear Byte Pointer Register

I/O Address: Ch. #0–3 = 0Ch;  
Ch. #4–7 = D8h      Attribute: WO  
Default Value: xxxx xxxx      Size: 8 bits  
Lockable: No      Power Well: Core

Bit	Description
7:0	<b>Clear Byte Pointer.</b> No specific pattern. Command enabled with a write to the I/O port address. Writing to this register initializes the byte pointer flip/flop to a known state. It clears the internal latch used to address the upper or lower byte of the 16-bit Address and Word Count Registers. The latch is also cleared by part reset and by the Master Clear command. This command precedes the first access to a 16 bit DMA controller register. The first access to a 16 bit register will then access the significant byte, and the second access automatically accesses the most significant byte.

## 8.2.9 DMA Master Clear Register

I/O Address: Ch. #0–3 = 0Dh;  
Ch. #4–7 = DAh      Attribute: WO  
Default Value: xxxx xxxx      Size: 8 bits

Bit	Description
7:0	<b>Master Clear.</b> No specific pattern. Enabled with a write to the port. This has the same effect as the hardware Reset. The Command, Status, Request, and Byte Pointer flip/flop registers are cleared and the Mask Register is set.

## 8.2.10 DMA\_CLMSK—DMA Clear Mask Register

I/O Address: Ch. #0–3 = 0Eh;  
Ch. #4–7 = DCh      Attribute: WO  
Default Value: xxxx xxxx      Size: 8 bits  
Lockable: No      Power Well: Core

Bit	Description
7:0	<b>Clear Mask Register.</b> No specific pattern. Command enabled with a write to the port.



## 8.2.11 DMA\_WRMSK—DMA Write All Mask Register

I/O Address:	Ch. #0–3 = 0Fh; Ch. #4–7 = DEh	Attribute:	R/W
Default Value:	0000 1111	Size:	8 bits
Lockable:	No	Power Well:	Core

Bit	Description
7:4	Reserved. Must be 0.
3:0	<p><b>Channel Mask Bits.</b> This register permits all four channels to be simultaneously enabled/disabled instead of enabling/disabling each channel individually, as is the case with the Mask Register - Write Single Mask Bit. In addition, this register has a read path to allow the status of the channel mask bits to be read. A channel's mask bit is automatically set to 1 when the Current Byte/Word Count Register reaches terminal count (unless the channel is in auto-initialization mode).</p> <p>Setting the bit(s) to a 1 disables the corresponding DREQ(s). Setting the bit(s) to a 0 enables the corresponding DREQ(s). Bits [3:0] are set to 1 upon part reset or Master Clear. When read, bits [3:0] indicate the DMA channel [3:0] ([7:4]) mask status.</p> <p>Bit 0 = Channel 0 (4)    1 = Masked, 0 = Not Masked                      Bit 1 = Channel 1 (5)    1 = Masked, 0 = Not Masked                      Bit 2 = Channel 2 (6)    1 = Masked, 0 = Not Masked                      Bit 3 = Channel 3 (7)    1 = Masked, 0 = Not Masked</p> <p><b>NOTE:</b> Disabling channel 4 also disables channels 0–3 due to the cascade of channel's 0–3 through channel 4.</p>

## 8.3 Timer I/O Registers

Port	Aliases	Register Name/Function	Default Value	Type
40h	50h	Counter 0 Interval Time Status Byte Format	0XXXXXXXb	RO
		Counter 0 Counter Access Port Register	Undefined	R/W
41h	51h	Counter 1 Interval Time Status Byte Format	0XXXXXXXb	RO
		Counter 1 Counter Access Port Register	Undefined	R/W
42h	52h	Counter 2 Interval Time Status Byte Format	0XXXXXXXb	RO
		Counter 2 Counter Access Port Register	Undefined	R/W
43h	53h	Timer Control Word Register	Undefined	WO
		Timer Control Word Register Read Back	XXXXXXXX0b	WO
		Counter Latch Command	X0h	WO

### 8.3.1 TCW—Timer Control Word Register

I/O Address: 43h                      Default Value: All bits undefined  
 Attribute: WO                        Size: 8 bits

This register is programmed prior to any counter being accessed to specify counter modes. Following part reset, the control words for each register are undefined and each counter output is 0. Each timer must be programmed to bring it into a known state.

Bit	Description
7:6	<b>Counter Select.</b> The Counter Selection bits select the counter the control word acts upon as shown below. The Read Back Command is selected when bits[7:6] are both 1. 00 = Counter 0 select 01 = Counter 1 select 10 = Counter 2 select 11 = Read Back Command
5:4	<b>Read/Write Select.</b> These bits are the read/write control bits. The actual counter programming is done through the counter port (40h for counter 0, 41h for counter 1, and 42h for counter 2). 00 = Counter Latch Command 01 = Read/Write Least Significant Byte (LSB) 10 = Read/Write Most Significant Byte (MSB) 11 = Read/Write LSB then MSB
3:1	<b>Counter Mode Selection.</b> These bits select one of six possible modes of operation for the selected counter. 000 = Mode 0 Out signal on end of count (=0) 001 = Mode 1 Hardware retriggerable one-shot x10 = Mode 2 Rate generator (divide by n counter) x11 = Mode 3 Square wave output 100 = Mode 4 Software triggered strobe 101 = Mode 5 Hardware triggered strobe
0	<b>Binary/BCD Countdown Select.</b> 0 = Binary countdown is used. The largest possible binary count is $2^{16}$ 1 = Binary coded decimal (BCD) count is used. The largest possible BCD count is $10^4$

There are two special commands that can be issued to the counters through this register, the Read Back Command and the Counter Latch Command. When these commands are chosen, several bits within this register are redefined. These register formats are described below.

### 8.3.1.1 RDBK\_CMD—Read Back Command

The Read Back Command is used to determine the count value, programmed mode, and current states of the OUT pin and Null count flag of the selected counter or counters. Status and/or count may be latched in any or all of the counters by selecting the counter during the register write. The count and status remain latched until read, and further latch commands are ignored until the count is read. Both count and status of the selected counters may be latched simultaneously by setting both bit 5 and bit 4 to 0. If both are latched, the first read operation from that counter returns the latched status. The next one or two reads, depending on whether the counter is programmed for one or two byte counts, returns the latched count. Subsequent reads return an unlatched count.

Bit	Description
7:6	<b>Read Back Command.</b> Must be “11” to select the Read Back Command
5	<b>Latch Count of Selected Counters.</b> 0 = Current count value of the selected counters will be latched 1 = Current count will not be latched
4	<b>Latch Status of Selected Counters.</b> 0 = Status of the selected counters will be latched 1 = Status will not be latched
3	<b>Counter 2 Select.</b> 1 = Counter 2 count and/or status will be latched
2	<b>Counter 1 Select.</b> 1 = Counter 1 count and/or status will be latched
1	<b>Counter 0 Select.</b> 1 = Counter 0 count and/or status will be latched.
0	Reserved. Must be 0.

### 8.3.1.2 LTCH\_CMD—Counter Latch Command

The Counter Latch Command latches the current count value. This command is used to insure that the count read from the counter is accurate. The count value is then read from each counter's count register through the Counter Ports Access Ports Register (40h for counter 0, 41h for counter 1, and 42h for counter 2). The count must be read according to the programmed format, i.e. if the counter is programmed for two byte counts, two bytes must be read. The two bytes do not have to be read one right after the other (read, write, or programming operations for other counters may be inserted between the reads). If a counter is latched once and then latched again before the count is read, the second Counter Latch Command is ignored.

Bit	Description
7:6	<b>Counter Selection.</b> These bits select the counter for latching. If "11" is written, then the write is interpreted as a read back command. 00 = Counter 0 01 = Counter 1 10 = Counter 2
5:4	<b>Counter Latch Command.</b> 00 = Selects the Counter Latch Command.
3:0	Reserved. Must be 0.

### 8.3.2 SBYTE\_FMT—Interval Timer Status Byte Format Register

I/O Address: Counter 0 = 40h,  
Counter 1 = 41h, Attribute: RO  
Counter 2 = 42h Size: 8 bits per counter  
Default Value: Bits[6:0] undefined, Bit 7=0

Each counter's status byte can be read following a Read Back Command. If latch status is chosen (bit 4=0, Read Back Command) as a read back option for a given counter, the next read from the counter's Counter Access Ports Register (40h for counter 0, 41h for counter 1, and 42h for counter 2) returns the status byte. The status byte returns the following:

Bit	Description
7	<b>Counter OUT Pin State.</b> 1 =OUT pin of the counter is also a 1. 0 =OUT pin of the counter is also a 0.
6	<b>Count Register Status.</b> This bit indicates when the last count written to the Count Register (CR) has been loaded into the counting element (CE). The exact time this happens depends on the counter mode, but until the count is loaded into the counting element (CE), the count value will be incorrect. 0 = Count has been transferred from CR to CE and is available for reading. 1 = Null Count. Count has not been transferred from CR to CE and is not yet available for reading.
5:4	<b>Read/Write Selection Status.</b> These reflect the read/write selection made through bits[5:4] of the control register. The binary codes returned during the status read match the codes used to program the counter read/write selection. 00 = Counter Latch Command 01 = Read/Write Least Significant Byte (LSB) 10 = Read/Write Most Significant Byte (MSB) 11 = Read/Write LSB then MSB

Bit	Description
3:1	<b>Mode Selection Status.</b> These bits return the counter mode programming. The binary code returned matches the code used to program the counter mode, as listed under the bit function above. 000 = Mode 0    Out signal on end of count (=0) 001 = Mode 1    Hardware retriggerable one-shot x10 = Mode 2    Rate generator (divide by n counter) x11 = Mode 3    Square wave output 100 = Mode 4    Software triggered strobe 101 = Mode 5    Hardware triggered strobe
0	<b>Countdown Type Status.</b> This bit reflects the current countdown type; ether 0 for binary countdown or a 1 for binary coded decimal (BCD) countdown.

### 8.3.3 Counter Access Ports Register

I/O Address:	Counter 0–40h, Counter 1–41h, Counter 2–42h	Attribute:	R/W
Default Value:	All bits undefined	Size:	8 bit

Bit	Description
7:0	<b>Counter Port.</b> Each counter port address is used to program the 16-bit Count Register. The order of programming, either LSB only, MSB only, or LSB then MSB, is defined with the Interval Counter Control Register at port 43h. The counter port is also used to read the current count from the Count Register, and return the status of the counter programming following a Read Back Command.

## 8.4 8259 Interrupt Controller (PIC) Registers

### 8.4.1 Interrupt Controller I/O MAP

The interrupt controller registers are located at 20h and 21h for the master controller (IRQ0:7), and at A0h and A1h for the slave controller (IRQ8:13). These registers have multiple functions, depending upon the data written to them. Below is a description of the different register possibilities for each address.

**Table 8-3. PIC Registers**

Port	Aliases	Register Name/Function	Default Value	Type
20h	24h, 28h, 2Ch, 30h, 34h, 38h, 3Ch	Master PIC ICW1 Init. Cmd Word 1 Register	Undefined	WO
		Master PIC OCW2 Op Ctrl Word 2 Register	001XXXXXb	WO
		Master PIC OCW3 Op Ctrl Word 3 Register	X01XXX10b	R/W
21h	25h, 29h, 2Dh, 31h, 35h, 39h, 3Dh	Master PIC ICW2 Init. Cmd Word 2 Register	Undefined	WO
		Master PIC ICW3 Init. Cmd Word 3 Register	Undefined	WO
		Master PIC ICW4 Init. Cmd Word 4 Register	01h	WO
		Master PIC OCW1 Op Ctrl Word 1 Register	00h	R/W
A0h	A4h, A8h, ACh, B0h, B4h, B8h, BCh	Slave PIC ICW1 Init. Cmd Word 1 Register	Undefined	WO
		Slave PIC OCW2 Op Ctrl Word 2 Register	001XXXXXb	WO
		Slave PIC OCW3 Op Ctrl Word 3 Register	X01XXX10b	R/W
A1h	A5h, A9h, ADh, B1h, B5h, B9h, BDh	Slave PIC ICW2 Init. Cmd Word 2 Register	Undefined	WO
		Slave PIC ICW3 Init. Cmd Word 3 Register	Undefined	WO
		Slave PIC ICW4 Init. Cmd Word 4 Register	01h	WO
		Slave PIC OCW1 Op Ctrl Word 1 Register	00h	R/W
4D0h	-	Master PIC Edge/Level Triggered Register	00h	R/W
4D1h	-	Slave PIC Edge/Level Triggered Register	00h	R/W

## 8.4.2 ICW1—Initialization Command Word 1 Register

Offset Address:	Master Controller–020h Slave Controller–0A0h	Attribute:	WO
Default Value:	All bits undefined	Size:	8 bit /controller

A write to Initialization Command Word 1 starts the interrupt controller initialization sequence, during which the following occurs:

1. The Interrupt Mask register is cleared.
2. IRQ7 input is assigned priority 7.
3. The slave mode address is set to 7.
4. Special Mask Mode is cleared and Status Read is set to IRR.

Once this write occurs, the controller expects writes to ICW2, ICW3, and ICW4 to complete the initialization sequence.

Bit	Description
7:5	<b>ICW/OCW select.</b> These bits are MCS-85 specific, and not needed. 000 = Should be programmed to “000”
4	<b>ICW/OCW select.</b> 1 = This bit must be a 1 to select ICW1 and enable the ICW2, ICW3, and ICW4 sequence.
3	<b>Edge/Level Bank Select (LTIM).</b> Disabled. Replaced by the edge/level triggered control registers (ELCR).
2	ADI. 0 = Ignored for the ICH. Should be programmed to ‘0’.
1	<b>Single or Cascade (SNGL).</b> 0 = Must be programmed to a 0 to indicate two controllers operating in cascade mode.
0	<b>ICW4 Write Required (IC4).</b> 1 = This bit must be programmed to a 1 to indicate that ICW4 needs to be programmed.

### 8.4.3 ICW2—Initialization Command Word 2 Register

Offset Address: Master Controller—021h      Attribute: WO  
 Slave Controller—0A1h      Size: 8 bit /controller  
 Default Value: All bits undefined

ICW2 is used to initialize the interrupt controller with the five most significant bits of the interrupt vector address. The value programmed for bits[7:3] is used by the processor to define the base address in the interrupt vector table for the interrupt routines associated with each IRQ on the controller. Typical ISA ICW2 values are 08h for the master controller and 70h for the slave controller.

Bit	Description																											
7:3	<b>Interrupt Vector Base Address.</b> Bits [7:3] define the base address in the interrupt vector table for the interrupt routines associated with each interrupt request level input.																											
2:0	<p><b>Interrupt Request Level.</b> When writing ICW2, these bits should all be 0. During an interrupt acknowledge cycle, these bits are programmed by the interrupt controller with the interrupt to be serviced. This is combined with bits [7:3] to form the interrupt vector driven onto the data bus during the second INTA# cycle. The code is a three bit binary code:</p> <table border="1"> <thead> <tr> <th>Code</th> <th>Master Interrupt</th> <th>Slave Interrupt</th> </tr> </thead> <tbody> <tr> <td>000</td> <td>IRQ0</td> <td>IRQ8</td> </tr> <tr> <td>001</td> <td>IRQ1</td> <td>IRQ9</td> </tr> <tr> <td>010</td> <td>IRQ2</td> <td>IRQ10</td> </tr> <tr> <td>011</td> <td>IRQ3</td> <td>IRQ11</td> </tr> <tr> <td>100</td> <td>IRQ4</td> <td>IRQ12</td> </tr> <tr> <td>101</td> <td>IRQ5</td> <td>IRQ13</td> </tr> <tr> <td>110</td> <td>IRQ6</td> <td>IRQ14</td> </tr> <tr> <td>111</td> <td>IRQ7</td> <td>IRQ15</td> </tr> </tbody> </table>	Code	Master Interrupt	Slave Interrupt	000	IRQ0	IRQ8	001	IRQ1	IRQ9	010	IRQ2	IRQ10	011	IRQ3	IRQ11	100	IRQ4	IRQ12	101	IRQ5	IRQ13	110	IRQ6	IRQ14	111	IRQ7	IRQ15
Code	Master Interrupt	Slave Interrupt																										
000	IRQ0	IRQ8																										
001	IRQ1	IRQ9																										
010	IRQ2	IRQ10																										
011	IRQ3	IRQ11																										
100	IRQ4	IRQ12																										
101	IRQ5	IRQ13																										
110	IRQ6	IRQ14																										
111	IRQ7	IRQ15																										

### 8.4.4 ICW3—Master Controller Initialization Command Word 3 Register

Offset Address: 21h      Attribute: WO  
 Default Value: All bits undefined      Size: 8 bits

Bit	Description
7:3	0 = These bits must be programmed to zero.
2	<p><b>Cascaded Interrupt Controller IRQ Connection.</b> This bit indicates that the slave controller is cascaded on IRQ2. When IRQ8#–IRQ15 is asserted, it goes through the slave controller's priority resolver. The slave controller's INTR output onto IRQ2. IRQ2 then goes through the master controller's priority solver. If it wins, the INTR signal is asserted to the processor, and the returning interrupt acknowledge returns the interrupt vector for the slave controller.</p> <p>1 = This bit must always be programmed to a 1.</p>
1:0	0 = These bits must be programmed to zero.



### 8.4.5 ICW3—Slave Controller Initialization Command Word 3 Register

Offset Address: A1h Attribute: WO  
 Default Value: All bits undefined Size: 8 bits

Bit	Description
7:3	Reserved. Must be 0.
2:0	<b>Slave Identification Code.</b> These bits are compared against the slave identification code broadcast by the master controller from the trailing edge of the first internal INTA# pulse to the trailing edge of the second internal INTA# pulse. These bits must be programmed to 02h to match the code broadcast by the master controller. When 02h is broadcast by the master controller during the INTA# sequence, the slave controller assumes responsibility for broadcasting the interrupt vector.

### 8.4.6 ICW4—Initialization Command Word 4 Register

Offset Address: Master Controller–021h Attribute: WO  
 Slave Controller–0A1h Size: 8 bits

Bit	Description
7:5	Reserved. Must be 0.
4	<b>Special Fully Nested Mode (SFNM).</b> Should normally be disabled by writing a 0 to this bit. If SFNM=1, the special fully nested mode is programmed.
3	<b>Buffered Mode (BUF).</b> Must be programmed to 0 for the ICH. This is non-buffered mode.
2	<b>Master/Slave in Buffered Mode.</b> Not used. Should always be programmed to 0.
1	<b>Automatic End of Interrupt (AEOI).</b> This bit should normally be programmed to 0. This is the normal end of interrupt. If this bit is 1, the automatic end of interrupt mode is programmed. AEOI is discussed in Section 16.10.2.
0	<b>Microprocessor Mode.</b> This bit must be programmed to 1 to indicate that the controller is operating in an Intel Architecture-based system. Programming this bit to 0 results in improper controller operation.

### 8.4.7 OCW1—Operational Control Word 1 (Interrupt Mask) Register

Offset Address: Master Controller–021h Attribute: R/W  
 Slave Controller–0A1h Size: 8 bits  
 Default Value: 00h

Bit	Description
7:0	<b>Interrupt Request Mask.</b> When a 1 is written to any bit in this register, the corresponding IRQ line is masked. When a 0 is written to any bit in this register, the corresponding IRQ mask bit is cleared, and interrupt requests are again accepted by the controller. Masking IRQ2 on the master controller also masks the interrupt requests from the slave controller.

## 8.4.8 OCW2—Operational Control Word 2 Register

Offset Address: Master Controller–020h      Attribute: WO  
 Slave Controller–0A0h      Size: 8 bits  
 Default Value: Bit[4:0]=undefined, Bit[7:5]=001

Following a part reset or ICW initialization, the controller enters the fully nested mode of operation. Non-specific EOI without rotation is the default. Both rotation mode and specific EOI mode are disabled following initialization.

Bit	Description																				
7:5	<p><b>Rotate and EOI Codes (R, SL, EOI).</b> These three bits control the Rotate and End of Interrupt modes and combinations of the two. A chart of these combinations is listed above under the bit definition.</p> <p>000 = Rotate in Auto EOI Mode (Clear)            001 = Non-specific EOI command            010 = No Operation            011 = Specific EOI Command            100 = Rotate in Auto EOI Mode (Set)            101 = Rotate on Non-Specific EOI Command            110 = *Set Priority Command            111 = *Rotate on Specific EOI Command            *L0–L2 Are Used</p>																				
4:3	<p><b>OCW2 Select.</b> When selecting OCW2, bits 4:3 = "00"</p>																				
2:0	<p><b>Interrupt Level Select (L2, L1, L0).</b> L2, L1, and L0 determine the interrupt level acted upon when the SL bit is active. A simple binary code, outlined above, selects the channel for the command to act upon. When the SL bit is inactive, these bits do not have a defined function; programming L2, L1 and L0 to 0 is sufficient in this case.</p> <table border="1"> <thead> <tr> <th>Bits</th> <th>Interrupt Level</th> <th>Bits</th> <th>Interrupt Level</th> </tr> </thead> <tbody> <tr> <td>000</td> <td>IRQ0/8</td> <td>100</td> <td>IRQ4/12</td> </tr> <tr> <td>001</td> <td>IRQ1/9</td> <td>101</td> <td>IRQ5/13</td> </tr> <tr> <td>010</td> <td>IRQ2/10</td> <td>110</td> <td>IRQ6/14</td> </tr> <tr> <td>011</td> <td>IRQ3/11</td> <td>111</td> <td>IRQ7/15</td> </tr> </tbody> </table>	Bits	Interrupt Level	Bits	Interrupt Level	000	IRQ0/8	100	IRQ4/12	001	IRQ1/9	101	IRQ5/13	010	IRQ2/10	110	IRQ6/14	011	IRQ3/11	111	IRQ7/15
Bits	Interrupt Level	Bits	Interrupt Level																		
000	IRQ0/8	100	IRQ4/12																		
001	IRQ1/9	101	IRQ5/13																		
010	IRQ2/10	110	IRQ6/14																		
011	IRQ3/11	111	IRQ7/15																		

## 8.4.9 OCW3—Operational Control Word 3 Register

Offset Address: Master Controller–020h      Attribute: WO  
                   Slave Controller–0A0h      Size: 8 bits  
 Default Value: Bit[6,0]=0, Bit[7,4:2]=undefined,  
                   Bit[5,1]=1

Bit	Description
7	Reserved. Must be 0.
6	<b>Special Mask Mode (SMM).</b> 1 = The Special Mask Mode can be used by an interrupt service routine to dynamically alter the system priority structure while the routine is executing, through selective enabling/disabling of the other channel's mask bits. Bit 6, the ESMM bit, must be set for this bit to have any meaning.
5	<b>Enable Special Mask Mode (ESMM).</b> 1 = Enable the SMM bit to set or reset the Special Mask Mode. 0 = the SMM bit becomes a "don't care".
4:3	<b>OCW3 Select.</b> When selecting OCW3, bits 4:3 = "01"
2	<b>Poll Mode Command.</b> 0 = Disable. Poll Command is not issued. 1 = Enable. The next I/O read to the interrupt controller is treated as an interrupt acknowledge cycle. An encoded byte is driven onto the data bus, representing the highest priority level requesting service.
1:0	<b>Register Read Command.</b> These bits provide control for reading the In-Service Register (ISR) and the Interrupt Request Register (IRR). When bit 1=0, bit 0 will not affect the register read selection. When bit 1=1, bit 0 selects the register status returned following an OCW3 read. If bit 0=0, the IRR will be read. If bit 0=1, the ISR will be read. Following ICW initialization, the default OCW3 port address read will be "read IRR". To retain the current selection (read ISR or read IRR), always write a 0 to bit 1 when programming this register. The selected register can be read repeatedly without reprogramming OCW3. To select a new status register, OCW3 must be reprogrammed prior to attempting the read. 00 = No Action 01 = No Action 10 = Read IRQ Register 11 = Read IS Register



## 8.5 Advanced Interrupt Controller (APIC)

### 8.5.1 APIC Register Map

The APIC is accessed via an indirect addressing scheme. Two registers are visible by software for manipulation of most of the APIC registers. These registers are mapped into memory space. The registers are shown in [Table 8-4](#).

**Table 8-4. APIC Direct Registers**

Address	Register	Size	Type
FECO_0000h	Index Register	8 bits	R/W
FECO_0010h	Data Register	32 bits	R/W
FECO_0020h	IRQ Pin Assertion Register	8 bits	WO
FECO_0040h	EOI Register	8 bits	WO

[Table 8-5](#) lists the registers which can be accessed within the APIC via the Index Register. When accessing these registers, accesses must be done a DWord at a time. For example, software should never access byte 2 from the Data register before accessing bytes 0 and 1. The hardware will not attempt to recover from a bad programming model in this case.

**Table 8-5. APIC Indirect Registers**

Index	Register	Size	Type
00h	ID	32 bits	R/W
01h	Version	32 bits	RO
02h	Arbitration ID	32 bits	RO
03h–0Fh	Reserved		RO
10h–11h	Redirection Table 0	64 bits	R/W
12h–13h	Redirection Table 1	64 bits	R/W
3Eh–3Fh	Redirection Table 23	64 bits	R/W
40h–FFh	Reserved		RO

### 8.5.2 IND—Index Register

Memory Address: FEC0\_0000h      Attribute: R/W  
 Default Value: 00h                  Size: 8 bits

The Index Register selects which APIC indirect register to be manipulated by software. The selector values for the indirect registers are listed in [Table 8-5](#). Software programs this register to select the desired APIC internal register

Bit	Description
7:0	<b>APIC Index.</b> This is an 8 bit pointer into the I/O APIC register table.

### 8.5.3 DAT—Data Register

Memory Address    FEC0\_0010h                      Attribute:            R/W  
 Default Value:    00000000h                      Size:                 32 bits

This is a 32 bit register specifying the data to be read or written to the register pointed to by the Index register. This register can be accessed in byte quantities.

Bit	Description
7:0	<b>APIC Data.</b> This is an 32 bit register for the data to be read or written to the APIC indirect register pointed to by the Index register.

### 8.5.4 ID—Identification Register

Index Offset:        00h                                      Attribute:            R/W  
 Default Value:       00000000h                      Size:                 32 bits

The APIC ID serves as a physical name of the APIC. The APIC bus arbitration ID for the APIC is derived from its I/O APIC ID. This register is reset to zero on power up reset

Bit	Description
31:28	Reserved.
27:24	<b>APIC ID.</b> Software must program this value before using the APIC.
23:0	Reserved.

### 8.5.5 VER—Version Register

Index Offset:        01h                                      Attribute:            RO  
 Default Value:       00170011h                      Size:                 32 bits

Each I/O APIC contains a hardwired Version Register that identifies different implementation of APIC and their versions. The maximum redirection entry information also is in this register, to let software know how many interrupt are supported by this APIC.

Bit	Description
31:24	Reserved.
23:16	<b>Maximum Redirection Entries.</b> This is the entry number (0 being the lowest entry) of the highest entry in the redirection table. It is equal to the number of interrupt input pins minus one and is in the range 0 through 239. This field is hardwired and is read-only. In the ICH this field is hardwired to 17h to indicate 24 interrupts.
15	<b>PRQ.</b> This bit is set to 1 to indicate that this version of the I/O APIC implements the IRQ Assertion register and allows PCI devices to write to it to cause interrupts.
14 :8	Reserved.
7:0	<b>Version.</b> This is a version number that identifies the implementation version. This field is hardwired and is read only.

## 8.5.6 ARBID—Arbitration ID Register

Index Offset: 02h Attribute: RO  
 Default Value: 00000000h Size: 32 bits

This register contains the bus arbitration priority for the APIC. This register is loaded whenever the APIC ID register is loaded. A rotating priority scheme is used for APIC bus arbitration. The winner of the arbitration becomes the lowest priority agent and assumes an arbitration ID of 0.

Bit	Description
31:28	Reserved.
27:24	<b>I/O APIC Identification.</b> This 4 bit field contains the I/O APIC Arbitration ID.
23:0	Reserved.

## 8.5.7 Redirection Table

Index Offset: 10h–11h (vector 0) through 3E–3Fh (vector 23) Attribute: R/W  
 Default Value: Bit 16='1', Bits[15:12]='0'. All other bits undefined Size: 64 bits each, (accessed as two 32 bit quantities)

The Redirection Table has a dedicated entry for each interrupt input pin. The information in the Redirection Table is used to translate the interrupt manifestation on the corresponding interrupt pin into an APIC message.

The APIC will respond to an edge triggered interrupt as long as the interrupt is held until after the acknowledge cycle has begun. Once the interrupt is detected, a delivery status bit internally to the I/O APIC is set. The state machine steps ahead and waits for an acknowledgment from the APIC bus unit that the interrupt message was sent over the APIC bus. Only then is the I/O APIC able to recognize a new edge on that interrupt pin. That new edge only results in a new invocation of the handler if its acceptance by the destination APIC causes the Interrupt Request Register bit to go from 0 to 1. (In other words, if the interrupt was not already pending at the destination.)

Bit	Description
63:56	<b>Destination.</b> If bit 11 of this entry is 0 [Physical], then bits [59:56] specifies an APIC ID. If bit 11 of this entry is 1 [Logical], then bits [63:56] specify the logical destination address of a set of processors.
55:17	Reserved.
16	<b>Mask.</b> 0 = Not masked: An edge or level on this interrupt pin results in the delivery of the interrupt to the destination. 1 = Masked: Interrupts are not delivered nor held pending. Setting this bit after the interrupt is accepted by a local APIC has no effect on that interrupt. This behavior is identical to the device withdrawing the interrupt before it is posted to the processor. It is software's responsibility to deal with the case where the mask bit is set after the interrupt message has been accepted by a local APIC unit but before the interrupt is dispensed to the processor.
15	<b>Trigger Mode.</b> This field indicates the type of signal on the interrupt pin that triggers an interrupt. 0 = Indicates edge sensitive 1 = Indicates level sensitive.

Bit	Description
14	<p><b>Remote IRR.</b> This bit is used for level triggered interrupts; its meaning is undefined for edge triggered interrupts.</p> <p>1 = For level triggered interrupts, this bit is set when Local APIC/s accept the level interrupt sent by the I/O APIC.</p> <p>0 = Remote IRR bit is reset when an EOI message is received from a local APIC.</p>
13	<p><b>Interrupt Input Pin Polarity.</b> This bit specifies the polarity of each interrupt signal connected to the interrupt pins. A value of 0 means the signal is active high. A value of 1 means the signal is active low.</p>
12	<p><b>Delivery Status—RO.</b> This field contains the current status of the delivery of this interrupt. Writes to this bit have no effect.</p> <p>0 = Idle. No activity for this interrupt</p> <p>1 = Pending. Interrupt has been injected, but delivery is held up due to the APIC bus being busy or the inability of the receiving APIC unit to accept the interrupt at this time.</p>
11	<p><b>Destination Mode.</b> This field determines the interpretation of the Destination field.</p> <p>0 = Physical. Destination APIC ID is identified by bits [59:56].</p> <p>1 = Logical. Destinations are identified by matching bit [63:56] with the Logical Destination in the Destination Format Register and Logical Destination Register in each Local APIC.</p>
10:8	<p><b>Delivery Mode.</b> This field specifies how the APICs listed in the destination field should act upon reception of this signal. Certain Delivery Modes will only operate as intended when used in conjunction with a specific trigger mode. These encodings are:</p> <p>000 = Fixed. Deliver the signal on the INTR signal of all processor cores listed in the destination. Trigger Mode can be edge or level.</p> <p>001 = Lowest Priority. Deliver the signal on the INTR signal of the processor core that is executing at the lowest priority among all the processors listed in the specified destination. Trigger Mode can be edge or level.</p> <p>010 = SMI (System Management Interrupt). Requires the interrupt to be programmed as edge triggered. The vector information is ignored but must be programmed to all zeroes for future compatibility.</p> <p>011 = Reserved</p> <p>100 = NMI. Deliver the signal on the NMI signal of all processor cores listed in the destination. Vector information is ignored. NMI is treated as an edge triggered interrupt even if it is programmed as level triggered. For proper operation this redirection table entry must be programmed to edge triggered. The NMI delivery mode does not set the RIRR bit. Once the interrupt is detected, it will be sent over the APIC bus.</p> <p>If the redirection table is incorrectly set to level, the loop count will continue counting through the redirection table addresses. Once the count for the NMI pin is reached again, the interrupt will be sent over the APIC bus again.</p> <p>101 = INIT. Deliver the signal to all processor cores listed in the destination by asserting the INIT</p>
7:0	<p><b>Vector.</b> This field contains the interrupt vector for this interrupt. Values range between 10h and FEh.</p>



## 8.5.8 IRQPA—IRQ Pin Assertion Register

Memory Address	FEC0_0020h	Attribute:	WO
Default Value:	N/A	Size:	32 bits

The IRQ Pin Assertion Register is present to provide a mechanism to scale the number of interrupt inputs into the I/O APIC without increasing the number of dedicated input pins. When a device that supports this interrupt assertion protocol requires interrupt service, that device issues a write to this register. Bits 4:0 written to this register contain the IRQ number for this interrupt. The only valid values are 0–23. Bits 31:5 are ignored. See [Section 8.5.9](#) for more details on how PCI devices use this field.

To provide for future expansion, peripherals should always write a value of 0 for Bits 31:5.

Bit	Description
31:5	Reserved. Bits 31:5 are ignored.
4:0	<b>IRQ Number.</b> Bits 4:0 written to this register contain the IRQ number for this interrupt. The only valid values are 0–23.

## 8.5.9 EOIR—EOI Register

Memory Address	FEC0_0040h	Attribute:	WO
Default Value:	N/A	Size:	32 bits

The EOI register is present to provide a mechanism to maintain the level triggered semantics for level-triggered interrupts issued on the parallel bus.

When a write is issued to this register, the I/O APIC will check the lower 8 bits written to this register, and compare it with the vector field for each entry in the I/O Redirection Table. When a match is found, the Remote\_IRR bit for that I/O Redirection Entry will be cleared.

Note: This is similar to what already occurs when the APIC sees the EIO message on the serial bus. Note that if multiple I/O Redirection entries, for any reason, assign the same vector for more than one interrupt input, each of those entries will have the Remote\_IRR bit reset to '0'. The interrupt which was prematurely reset will not be lost because if its input remained active when the Remote\_IRR bit is cleared, the interrupt will be reissued and serviced at a later time. Note: Only bits 7:0 are actually used. Bits 31:8 are ignored by the ICH.

**Note:** To provide for future expansion, the processor should always write a value of 0 to Bits 31:8.

Bit	Description
31:8	Reserved. To provide for future expansion, the processor should always write a value of 0 to Bits 31:8.
7:0	<b>Redirection Entry Clear.</b> When a write is issued to this register, the I/O APIC will check this field, and compare it with the vector field for each entry in the I/O Redirection Table. When a match is found, the Remote_IRR bit for that I/O Redirection Entry will be cleared.

## 8.6 Real Time Clock Registers

### 8.6.1 I/O Register Address Map

The RTC internal registers and RAM are organized as two banks of 128 bytes each, called the standard and extended banks. The first 14 bytes of the standard bank contain the RTC time and date information along with four registers (A–D) that are used for configuration of the RTC. The extended bank contains a full 128 bytes of battery backed SRAM, and will be accessible even when the RTC module is disabled (via the RTC configuration register). Registers A–D do not physically exist in the RAM.

All data movement between the host processor and the real-time clock is done through registers mapped to the standard I/O space. The register map appears in [Table 8-6](#).

**Table 8-6. RTC I/O Registers**

I/O Locations	If U128E bit = 0	Function
70h and 74h	Also alias to 72h and 76h	Real-Time Clock (Standard RAM) Index Register
71h and 75h	Also alias to 73h and 77h	Real-Time Clock (Standard RAM) Target Register
72h and 76h		Extended RAM Index Register (if enabled)
73h and 77h		Extended RAM Target Register (if enabled)

**NOTES:**

1. I/O locations 70h and 71h are the standard ISA location for the real-time clock. The map for this bank is shown in [Table 8-7](#). Locations 72h and 73h are for accessing the extended RAM. The extended RAM bank is also accessed using an indexed scheme. I/O address 72h is used as the address pointer and I/O address 73h is used as the data register. Index addresses above 127h are not valid. If the extended RAM is not needed, it may be disabled.
2. Software must preserve the value of bit 7 at I/O addresses 70h and 74h. When writing to these addresses, software must first read the value, and then write the same value for bit 7 during the sequential address write.

## 8.6.2 Indexed Registers

The RTC contains two sets of indexed registers that are accessed using the two separate Index and Target registers (70/71h or 72/73h), as shown in [Table 8-7](#).

**Table 8-7. RTC (Standard) RAM Bank**

Index	Name
00h	Seconds
01h	Seconds Alarm.
02h	Minutes
03h	Minutes Alarm
04h	Hours
05h	Hours Alarm
06h	Day of Week
07h	Day of Month
08h	Month
09h	Year
0Ah	Register A
0Bh	Register B
0Ch	Register C
0Dh	Register D
0Eh–7Fh	114 Bytes of User RAM

### 8.6.2.1 RTC\_REGA—Register A

RTC Index:	0A	Attribute:	R/W
Default Value:	Undefined	Size:	8 bits
Lockable:	No	Power Well:	RTC

This register is used for general configuration of the RTC functions. None of the bits are affected by RSMRST# or any other ICH reset signal.

Bit	Description
7	<p><b>Update In Progress (UIP).</b> This bit may be monitored as a status flag.</p> <p>1 = The update is soon to occur or is in progress.</p> <p>0 = The update cycle will not start for at least 244us. The time, calendar, and alarm information in RAM is always available when the UIP bit is 0.</p>
6:4	<p><b>Division Chain Select (DV[2:0]).</b> These three bits control the divider chain for the oscillator, and are not affected by RSMRST# or any other reset signal. DV[2] corresponds to bit 6.</p> <p>010 = Normal Operation</p> <p>11X = Divider Reset</p> <p>101 = Bypass 15 stages (test mode only)</p> <p>100 = Bypass 10 stages (test mode only)</p> <p>011 = Bypass 5 stages (test mode only)</p> <p>001 = Invalid</p> <p>000 = Invalid</p>
3:0	<p><b>Rate Select (RS[3:0]).</b> Selects one of 13 taps of the 15 stage divider chain. The selected tap can generate a periodic interrupt if the PIE bit is set in Register B. Otherwise this tap will set the PF flag of Register C. If the periodic interrupt is not to be used, these bits should all be set to zero. RS3 corresponds to bit 3.</p> <p>0000 = Interrupt never toggles</p> <p>0001 = 3.90625 ms</p> <p>0010 = 7.8125 ms</p> <p>0011 = 122.070 us</p> <p>0100 = 244.141 us</p> <p>0101 = 488.281 us</p> <p>0110 = 976.5625 us</p> <p>0111 = 1.953125 ms</p> <p>1000 = 3.90625 ms</p> <p>1001 = 7.8125 ms</p> <p>1010 = 15.625 ms</p> <p>1011 = 31.25 ms</p> <p>1100 = 62.5 ms</p> <p>1101 = 125 ms</p> <p>1110 = 250 ms</p> <p>1111 = 500 ms</p>

### 8.6.2.2 RTC\_REGB—Register B (General Configuration)

RTC Index:	0Bh	Attribute:	R/W
Default Value:	U0U00UUU (U: Undefined)	Size:	8 bits
Lockable:	No	Power Well:	RTC

Bit	Description
7	<p><b>Update Cycle Inhibit (SET).</b> Enables/Inhibits the update cycles. This bit is not affected by RSMRST# nor any other reset signal.</p> <p>0 = Update cycle occurs normally once each second.</p> <p>1 = A current update cycle will abort and subsequent update cycles will not occur until SET is returned to zero. When set is one, the BIOS may initialize time and calendar bytes safely.</p>
6	<p><b>Periodic Interrupt Enable (PIE).</b></p> <p>1 = The Periodic Interrupt Enable (PIE) bit allows an interrupt to occur with a time base set with the RS bits of register A. This bit is cleared by RSMRST#, but not on any other reset</p>
5	<p><b>Alarm Interrupt Enable (AIE).</b></p> <p>1 = The Alarm Interrupt Enable (AIE) bit allows an interrupt to occur when the AF is one as set from an alarm match from the update cycle. An alarm can occur once a second, one an hour, once a day, or one a month. This bit is cleared by RTCRST#, but not on any other reset</p>
4	<p><b>Update-ended Interrupt Enable (UIE).</b></p> <p>1 = The Update-ended Interrupt Enable (UIE) bit allows an interrupt to occur when the update cycle ends. This bit is cleared by RSMRST#, but not on any other reset</p>
3	<p><b>Square Wave Enable (SQWE).</b> The Square Wave Enable bit serves no function in this device, yet is left in this register bank to provide compatibility with the Motorola* 146818B. There is not SQW pin on this device. This bit is cleared by RSMRST#, but not on any other reset.</p>
2	<p><b>Data Mode (DM).</b> The Data Mode (DM) bit specifies either binary or BCD data representation. This bit is not affected by RSMRST# nor any other reset signal.</p> <p>1 = Binary</p> <p>0 = BCD.</p>
1	<p><b>Hour Format (HOURFORM).</b> This bit indicates the hour byte format. This bit is not affected by RSMRST# nor any other reset signal.</p> <p>1 = twenty-four hour mode.</p> <p>0 = twelve-hour mode. In twelve hour mode, the seventh bit represents AM as zero and PM as one.</p>
0	<p><b>Daylight Savings Enable (DSE).</b> The Daylight Savings Enable bit triggers two special hour updates per year when set to one.</p> <p>1 = a) Update on the first Sunday in April, where time increments from 1:59:59 AM to 3:00:00 AM.                      b) Update on the last Sunday in October when the time first reaches 1:59:59 AM, it is changed to 1:00:00 AM. The time must increment normally for at least two update cycles (seconds) previous to these conditions for the time change to occur properly.</p> <p>0 = These special update conditions do not occur when the DSE bit is set to zero. The days for the hour adjustment are those specified in United States federal law as of 1987, which is different than previous years. This bit is not affected by RSMRST# nor any other reset signal.</p>

### 8.6.2.3 RTC\_REGC—Register C (Flag Register)

RTC Index:	0Ch	Attribute:	RO
Default Value:	00U00000 (U: Undefined)	Size:	8 bits
Lockable:	No	Power Well:	RTC

Writes to Register C have no effect.

Bit	Description
7	<b>Interrupt Request Flag (IRQF).</b> Interrupt Request Flag = PF * PIE + AF * AIE + UF * UFE. This also causes the CH_IRQ_B signal to be asserted. This bit is cleared upon RSMRST# or a read of Register C.
6	<b>Periodic Interrupt Flag (PF).</b> This bit is cleared upon RSMRST# or a read of Register C. 1 = Periodic interrupt Flag will be one when the tap as specified by the RS bits of register A is one. 0 = If no taps are specified, this flag bit will remain at zero.
5	<b>Alarm Flag (AF).</b> Alarm Flag will be high after all Alarm values match the current time. This bit is cleared upon RTCRST# or a read of Register C.
4	<b>Update-ended Flag (UF).</b> Updated-ended flag will be high immediately following an update cycle for each second. The bit is cleared upon RSMRST# or a read of Register C.
3:0	Reserved. Will always report 0.

### 8.6.2.4 RTC\_REGD—Register D (Flag Register)

RTC Index:	0Dh	Attribute:	R/W
Default Value:	10UUUUUU (U: Undefined)	Size:	8 bits
Lockable:	No	Power Well:	RTC

Bit	Description
7	<b>Valid RAM and Time Bit (VRT).</b> 1 = The Valid Ram and Time bit is set to one when the PWRGD (power good) signal provided is high. This feature is not typically used. 0 = This bit should always be written as a 0 for write cycle, however it will return a 1 for read cycles.
6	Reserved. This bit always returns a 0 and should be set to 0 for write cycles.
5:0	<b>Date Alarm.</b> These bits store the date of month alarm value. If set to 000000, then a don't care state is assumed. The host must configure the date alarm for these bits to do anything, yet they can be written at any time. If the date alarm is not enabled, these bits will return zeros to mimic the functionality of the Motorola 146818B. These bits are not affected by RESET.

## 8.7 Processor Interface Registers

### 8.7.1 NMI\_SC—NMI Status and Control Register

I/O Address:	61h	Attribute:	R/W (some bits RO)
Default Value:	00h	Size:	8 bits
Lockable:	No	Power Well:	Core

Bit	Description
7	<b>SERR# NMI Source Status (SERR#_NMI_STS)—RO.</b> 1 = PCI agent detected a system error and pulses the PCI SERR# line. This interrupt source is enabled by setting bit 2 to 0. To reset the interrupt, set bit 2 to 1 and then set it to 0. When writing to port 61h, this bit must be 0.
6	<b>IOCHK# NMI Source Status (IOCHK#_NMI_STS) —RO.</b> 1 = An ISA agent (via SERIRQ) asserted IOCHK# on the ISA bus. This interrupt source is enabled by setting bit 3 to 0. To reset the interrupt, set bit 3 to 0 and then set it to 1. When writing to port 61h, this bit must be a 0.
5	<b>Timer Counter 2 OUT Status (TMR2_OUT_STS) —RO.</b> This bit reflects the current state of the 8254 counter 2 output. Counter 2 must be programmed following any PCI reset for this bit to have a determinate value. When writing to port 61h, this bit must be a 0.
4	<b>Refresh Cycle Toggle (REF_TOGGLE) —RO.</b> This signal toggles from either 0 to 1 or 1 to 0 at a rate that is equivalent to when refresh cycles would occur. When writing to port 61h, this bit must be a 0.
3	<b>IOCHK# NMI Enable (IOCHK_NMI_EN) —R/W.</b> 1 = Disabled and cleared. 0 = Enabled.
2	<b>PCI SERR# Enable (PCI_SERR_EN) —R/W.</b> 1 = SERR# NMIs are disabled and cleared. 0 = SERR# NMIs are enabled.
1	<b>Speaker Data Enable (SPKR_DAT_EN) —R/W.</b> 0 = SPKR output is a 0. 1 = SPKR output is equivalent to the Counter 2 OUT signal value.
0	<b>Timer Counter 2 Enable (TIM_CNT2_EN) —R/W.</b> 0 = Disable 1 = Enable

## 8.7.2 NMI\_EN—NMI Enable (and Real Time Clock Index)

I/O Address:	70h	Attribute:	R/W (Special)
Default Value:	80h	Size:	8 bits
Lockable:	No	Power Well:	Core

**Note:** The RTC Index field is write-only for normal operation. This field can only be read in Alt-Access Mode. Note, however that this register is aliased to Port 74h (documented in Table 19-2), and all bits are readable at that address.

Bits	Description
7	<b>NMI Enable (NMI_EN).</b> 1 = Disable All NMI sources. 0 = Enable NMI sources.
6:0	<b>Real Time Clock Index Address (RTC_INDX).</b> This data goes to the RTC to select which register or CMOS RAM address is being accessed.

## 8.7.3 PORT92—Fast A20 and Init Register

I/O Address:	92h	Attribute:	R/W
Default Value:	00h	Size:	8 bits
Lockable:	No	Power Well:	Core

Bit	Description
7:2	Reserved.
1	<b>Alternate A20 Gate (ALT_A20_GATE).</b> This bit is OR'd with the A20GATE input signal to generate A20M# to the processor. 1 = This bit is set when INIT# goes active. 0 = A20M# signal can potentially go active.
0	<b>INIT_NOW.</b> When this bit transitions from a 0 to a 1, the ICH will force INIT# active for 16 PCI clocks.

## 8.7.4 COPROC\_ERR—Coprocessor Error Register

I/O Address:	F0h	Attribute:	WO
Default Value:	00h	Size:	8 bits
Lockable:	No	Power Well:	Core

Bits	Description
7:0	<b>COPROC_ERR.</b> Any value written to this register will cause IGNNE# to go active, if FERR# had generated an internal IRQ13. For FERR# to generate an internal IRQ13, the COPROC_ERR_EN bit (Device 31:Function 0, Offset D0, Bit 13) must be 1.



## 8.7.5 RST\_CNT—Reset Control Register

I/O Address:	CF9h	Attribute:	R/W
Default Value:	00h	Size:	8 bits
Lockable:	No	Power Well:	Core

Bit	Description
7:4	Reserved.
3	<p><b>Full Reset (FULL_RST).</b> This bit is used to determine the states of SLP_S3# and SLP_S5# after a CF9 hard reset (SYS_RST =1 and RST_CPU is set to 1), after PWROK going low (with RSMRST# high), or after two TCO timeouts.</p> <p>1 = ICH drives SLP_S3# and SLP_S5# low for 3–5 seconds.</p> <p>0 = ICH keeps SLP_S3# and SLP_S5# high.</p>
2	<p><b>Reset CPU (RST_CPU).</b> When this bit transitions from a '0' to a '1', it initiates a hard or soft reset, as determined by the SYS_RST bit (bit 1 of this register).</p>
1	<p><b>System Reset (SYS_RST).</b> This bit is used to determine a hard or soft reset to the processor.</p> <p>1 = When RST_CPU bit goes from 0 to 1, the ICH performs a hard reset by activating PCIRST# for 1 millisecond.</p> <p>0 = When RST_CPU bit goes from 0 to 1, the ICH performs a soft reset by activating INIT# for 16 PCI clocks.</p>
0	Reserved.

## 8.8 Power Management Registers (D31:F0)

The power management registers are distributed within the PCI Device 31: Function 0 space, as well as a separate I/O range. Each register is described below. Unless otherwise indicate, bits are in the main (core) power well.

Bits not explicitly defined in each register are assumed to be reserved. When writing to a reserved bit, the value should always be 0. Software should not attempt to use the value read from a reserved bit, as it may not be consistently 1 or 0.

### 8.8.1 Power Management PCI Configuration Registers (D31:F0)

Table 8-8 shows a small part of the configuration space for PCI Device 31: Function 0. It includes only those registers dedicated for power management. Some of the registers are only used for Legacy Power management schemes.

**Table 8-8. PCI Configuration Map (PM—D31:F0)**

Offset	Mnemonic	Register Name/Function	Default	Type
40h–43h	PMBASE	ACPI Base Address (PMBASE)	00000000h	R/W
44h	ACPI_CNTL	ACPI Control	00h	R/W
A0h	GEN_PMCON_1	General Power Management Configuration 1	0000h	R/W
A2h	GEN_PMCON_2	General Power Management Configuration 2	0000h	R/W
A4h	GEN_PMCON_3	General Power Management Configuration 3	00h	R/W
B8–BBh	GPI_ROUT	GPI_ROUT	00000000h	R/W
C4h	IO_MON_RNG1	I/O Monitor Range 1	0000h	R/W
C6h	IO_MON_RNG2	I/O Monitor Range 2	0000h	R/W
CCh	IO_MON_MSK	I/O Monitor Range Mask	0000h	R/W

#### 8.8.1.1 GEN\_PMCON\_1—General PM Configuration 1 Register (PM—D31:F0)

Offset:	A0h	Attribute:	R/W
Default Value:	00h	Size:	16 bits
Lockable:	No	Usage:	ACPI, Legacy
		Power Well:	Core

Bit	Description
15:10	Reserved.
9	<b>PWRBTN_LVL</b> — RO. This read-only bit indicates the current state of the PWRBTN# signal. 1 = High 0 = Low.
8:6	Reserved.
5	<b>CPUSLP_EN</b> (CPU SLP# Enable). Enables the CPUSLP# signal to go active in the S1 state. This reduces the processor power. ICH (82801AA): For dual processor designs, there will be significant power reduction.
4:0	Reserved.

### 8.8.1.2 GEN\_PMCON\_2—General PM Configuration 2 Register (PM—D31:F0)

Offset:	A2h	Attribute:	R/W
Default Value:	00h	Size:	16 bits
Lockable:	No	Usage:	ACPI, Legacy
		Power Well:	Resume

Bit	Description
7:1	Reserved.
0	<p><b>PWROK_FLR.</b> This bit will be set any time PWROK goes low, when the system was in S0, or S1 state. The bit will be cleared only by software by writing a 1 to this bit or when the system goes to a G3 state.</p> <p><b>NOTE:</b> Traditional designs have a reset button logically AND'd with the PWROK signal from the power supply and the processor's voltage regulator module. If this is done with the ICH, the PWROK_FLR bit will be set. The ICH treats this internally as if the RSMRST# signal had gone active. However, it is not treated as a full power failure. If PWROK goes inactive and then active (but RSMRST# stays high), then the ICH will reboot (regardless of the state of the AFTERG3 bit). If the RSMRST# signal also goes low before PWROK goes high, then this is a full power failure, and the reboot policy is controlled by the AFTERG3 bit.</p>

### 8.8.1.3 GEN\_PMCON\_3—General PM Configuration 3 Register (PM—D31:F0)

Offset:	A4h	Attribute:	R/W
Default Value:	00h	Size:	8 bits
Lockable:	No	Usage:	ACPI, Legacy
		Power Well:	RTC

Bit	Description
7:3	Reserved.
2	<p><b>RTC_PWR_STS.</b></p> <p>1 = Indicates that the RTC battery was removed or failed. This bit is set when RTCRST# signal is low.</p> <p>0 = Software clears this bit by writing a 0 to the bit position.</p> <p><b>NOTE:</b> Clearing CMOS in an ICH-based platform can be done by using a jumper on RTCRST# or GPI, or using SAFEMODE strap. Implementations should not attempt to clear CMOS by using a jumper to pull VccRTC low.</p>
1	<p><b>PWR_FLR.</b></p> <p>1 = Indicates that the trickle current (from the main battery or trickle supply) was removed or failed. The RSMRST# signal goes active.</p> <p>0 = Indicates that the trickle current has not failed since the last time the bit was cleared. Write 1 to this bit to clear it. This bit is in the RTC well, and is not cleared by any type of reset except RTCRST#.</p> <p><b>NOTE:</b> Clearing CMOS in an ICH-based platform can be done by using a jumper on RTCRST# or GPI, or using SAFEMODE strap. Implementations should not attempt to clear CMOS by using a jumper to pull VccRTC low.</p>
0	<p><b>AFTERG3_EN.</b> Determines what state to go to when power is re-applied after a power failure (G3 state). In the S5 state, the only enabled wake event is the Power Button or any enabled wake event that was preserved through the power failure. This bit is in the RTC well and is not cleared by any type of reset except writes to CF9h or RTCRST#.</p> <p>0 = System will return to S0 state (boot) after power is re-applied.</p> <p>1 = System will return to the S5 state (except if it was in S4, in which case it will return to S4).</p>

### 8.8.1.4 GPI\_ROUT—GPI Routing Control Register (PM—D31:F0)

Offset:	B8h–BBh	Attribute:	R/W
Default Value:	0000h	Size:	32 bits
Lockable:	No	Power Well:	Resume

Bit	Description
31:30	GPI[15] Route. Reserved. (Not Implemented)
29:28	GPI[14] Route. Reserved. (Not Implemented)
27:26	<b>GPI[13] Route.</b> See bits 1:0 for description.
25:24	<b>GPI[12] Route.</b> See bits 1:0 for description.
23:22	<b>GPI[11] Route.</b> See bits 1:0 for description.
21:20	GPI[10] Route. Reserved. (Not Implemented)
19:18	<b>GPI[9] Route.</b> See bits 1:0 for description.
17:16	<b>GPI[8] Route.</b> See bits 1:0 for description.
15:14	<b>GPI[7] Route.</b> See bits 1:0 for description.
13:12	<b>GPI[6] Route.</b> See bits 1:0 for description.
11:10	<b>GPI[5] Route.</b> See bits 1:0 for description.
9:8	GPI[4] Route. Reserved. (Not Implemented)
7:6	GPI[3] Route. Reserved. (Not Implemented)
5:4	GPI[2] Route. Reserved. (Not Implemented)
3:2	<b>GPI[1] Route.</b> See bits 1:0 for description.
1:0	<p><b>GPI[0] Route.</b> GPIO[15:0] can be routed to cause an SMI or SCI when the GPI[n]_STS bit is set. If the GPIO is not set to an input, this field has no effect.</p> <p>If the system is in an S1-S5 state and if the GPE1_EN bit is also set, the GPI can cause a Wake event, even if the GPI is NOT routed to cause an SMI# or SCI.</p> <p>00 = No effect.            01 = SMI# (if corresponding GPE1_EN bit is also set)            10 = SCI (if corresponding GPE1_EN bit is also set)            11 = Reserved</p>

**Note:** GPIOs that are not implemented will not have the corresponding bits implemented in this register.

### 8.8.1.5 IO\_MON\_RNG1—IO Monitor Range 1 Register (PM—D31:F0)

Offset:	C4h	Attribute:	R/W
Default Value:	00h	Size:	16 bits
Lockable:	No	Usage:	Legacy Only
Power Well:	Core		

Bit	Description
15:0	<b>Used to set the base of I/O range 1 for SMI#.</b> The range can be mapped anywhere in the processor I/O space (0–64 KB). Any access to the range will generate an SMI# if enabled by IOMON1_EN bit in the IOMON_STS_EN register (PMBASE +40h). Note that access to this range will not cause the ICH to trap the cycle

### 8.8.1.6 IO\_MON\_RNG2—IO Monitor Range 2 Register (PM—D31:F0)

Offset:	C6h	Attribute:	R/W
Default Value:	00h	Size:	16 bits
Lockable:	No	Usage:	Legacy Only
Power Well:	Core		

Bit	Description
15:0	<b>Used to set the base of I/O range 2 for SMI#.</b> The range can be mapped anywhere in the processor I/O space (0–64 KB). Any access to the range will generate an SMI# if enabled by IOMON2_EN bit in the IOMON_STS_EN register (PMBASE +40h). Note that access to this range will not cause the ICH to trap the cycle

### 8.8.1.7 IO\_MON\_MSK—IO Monitor Range Mask Register (PM—D31:F0)

Offset:	CCh	Attribute:	R/W
Default Value:	00h	Size:	16 bits
Lockable:	No	Usage:	Legacy Only
Power Well:	Core		

Bit	Description
15:8	Reserved.
7:4	<b>IOMON_RNG2_MSK.</b> Selects the low 4-bit mask for the I/O Monitor Range 2. When a mask bit is set to a 1, the corresponding bit in the base I/O selection will not be decoded. (See bit 3:0 for example).
3:0	<b>IOMON_RNG1_MSK.</b> Selects the low 4-bit mask for the I/O Monitor Range 1. When a mask bit is set to a 1, the corresponding bit in the base I/O selection will not be decoded. For example, if IO_MON_RNG1 = 1230h, and IOMON_RNG1_MSK = 0011b, the ICH decodes 1230h, 1231h, 1232h, and 1233h for I/O Monitor Range 1.

## 8.8.2 APM I/O Decode

Table 8-9 shows the I/O registers associated with APM support. This register space is enabled in the PCI Device 31: Function 0 space (APMDEC\_EN), and cannot be moved (fixed I/O location).

**Table 8-9. APM Register Map**

Address	Register Name/Function	Default	Type
B2h	Advanced Power Management Control Port	00h	R/W
B3h	Advanced Power Management Status Port	00h	R/W

### 8.8.2.1 APM\_CNT—Advanced Power Management Control Port Register

I/O Address:	B2h	Attribute:	R/W
Default Value:	00h	Size:	8 bits
Lockable:	No	Usage:	Legacy Only
Power Well:	Core		

Bit	Description
7:0	<b>Used to pass an APM command between the OS and the SMI handler.</b> Writes to this port not only store data in the APMC register, but also generates an SMI# when the APMC_EN bit is set.

### 8.8.2.2 APM\_STS—Advanced Power Management Status Port Register

I/O Address:	B3h	Attribute:	R/W
Default Value:	00h	Size:	8 bits
Lockable:	No	Usage:	Legacy Only
Power Well:	Core		

Bit	Description
7:0	<b>Used to pass data between the OS and the SMI handler.</b> Basically, this is a scratchpad register and is not effected by any other register or function (other than a PCI reset).

### 8.8.3 Power Management I/O Registers

Table 8-10 shows the registers associated with ACPI and Legacy power management support. These registers are enabled in the PCI Device 31: Function 0 space (PM\_IO\_EN), and can be moved to any I/O location (128-byte aligned). The registers are defined to be compliant with the ACPI 1.0 specification, and use the same bit names.

**Note:** All reserved bits and registers will always return 0 when read, and will have no effect when written.

**Table 8-10. ACPI and Legacy I/O Register Map**

PMBASE+ Offset	Register Name/Function	Default	Attributes
00–01h	PM1 Status, ACPI Pointer: PM1a_EVT_BLK	0000h	R/W
02–03h	PM1 Enable, ACPI Pointer: PM1a_EVT_BLK+2	0000h	R/W
04–07h	PM1 Control, ACPI Pointer: PM1a_CNT_BLK	00000000h	R/W
08–0Bh	PM1 Timer, ACPI Pointer: PMTMR_BLK	00000000h	RO
0Ch–0Fh	Reserved		
10h–13h	Processor Control, ACPI Pointer: P_BLK	00000000h	R/W
14h	Level 2 Register, ACPI Pointer: P_BLK+4	00h	RO
16–20h	Reserved		
28–29h	General Purpose Event 0 Status, ACPI Pointer: GPE0_BLK	0000h	R/W
2A–2Bh	General Purpose Event 0 Enables, ACPI Pointer: GPE0_BLK+2	0000h	R/W
2C–2D	General Purpose Event 1 Status, ACPI Pointer: GPE1_BLK	0000h	R/W
2E–2F	General Purpose Event 1 Enables, ACPI Pointer: GPE1_BLK+2	0000h	R/W
30–31h	SMI# Control and Enable	0000h	R/W
34–35h	SMI Status Register	0000h	R/W
40h	I/O Monitor Status and Enable	0000h	R/W
44h	Device Activity Status	0000h	R/W
4Ch–4Dh	Bus Address Tracker	Last Cycle	Read-Only
4Eh	Bus Cycle Tracker	Last Cycle	Read-Only
50–5F	Reserved.	00h	R/W
61–7Bh	Reserved for Legacy Power Management.	00h	Read-Only
7Ch–7Fh	Reserved	00h	Read-Only

### 8.8.3.1 PM1\_STS—Power Management 1 Status Register

I/O Address:	PMBASE + 00h (ACPI PM1a_EVT_BLK)	Attribute:	R/W
Default Value:	0000h	Size:	16 bits
Lockable:	No	Usage:	ACPI or Legacy
Power Well:	Bits 0:7: Core, Bits 8:15: Resume, Bit 11 still in RTC		

If bit 10 or 8 in this register is set, and the corresponding \_EN bit is set in the PM1\_EN register, then the ICH will generate a Wake Event. Once back in an S0 state (or if already in an S0 state when the event occurs), the ICH will also generate an SCI if the SCI\_EN bit is set, or an SMI# if the SCI\_EN bit is not set.

**Note:** Bit 5 does not cause an SMI# or a wake event. Bit 0 does not cause a wake event but can cause an SMI# or SCI.

Bit	Description
15	<p><b>WAK_STS.</b></p> <p>1 = This bit is set when the system is in one of the sleep states (via the SLP_EN bit) and an enabled wake event occurs. Upon setting this bit, the ICH will transition the system to the ON state. This bit is only set by hardware.</p> <p>0 = Cleared by writing a one to this bit. This bit is not affected by hard resets caused by a CF9 write, but is reset by RSMRST#.</p> <p><b>NOTE:</b> If a power failure occurs (such as removed batteries) without the SLP_EN bit set, the WAK_STS bit will not be set when power returns.</p>
14:12	Reserved
11	<p><b>PRBTNOR_STS.</b></p> <p>1 = This bit is set by hardware anytime a Power Button Override Event occurs, which occurs when the power button is pressed for at least 4 consecutive seconds. The power button override causes an unconditional transition to the S5 state, as well as set the AFTERG3 bit.</p> <p>0 = The BIOS or SCI handler can clear this bit by writing a 1 to it.</p> <p><b>NOTE:</b> This bit is not affected by hard resets caused by a CF9 write, and will be preserved through a power failure.</p>
10	<p><b>RTC_STS.</b></p> <p>1 = This bit is set by hardware when the RTC generates an alarm (assertion of the IRQ8# signal). Additionally, if the RTC_EN bit is set, the setting of the RTC_STS bit will generate a wake event.</p> <p>0 = Cleared by writing a 1 to this bit position.</p> <p><b>NOTE:</b> This bit is not affected by hard resets caused by a CF9 write, but is reset by RSMRST#.</p>
9	Reserved
8	<p><b>PWRBTN_STS.</b> This bit is set by hardware when the PWRBTN# signal is asserted Low, independent of any other enable bit. This bit is not affected by hard resets caused by a CF9 write. In the S0 state, while PWRBTN_EN and PWRBTN_STS are both set, an SCI (or SMI# if SCI_EN is not set) will be generated.</p> <p>In any sleeping state S1-S5, while PWRBTN_EN and PWRBTN_STS are both set, a wake event is generated.</p> <p>If the PWRBTN# signal is held low for more than 4 seconds, the hardware clears the PWRBTN_STS bit, sets the PWRBTNOR_STS bit, the system transitions to the S5 state, and only PWRBTN# is enabled as a wake event.</p> <p>This bit can be cleared by software by writing a one to this bit position.</p>
7:6	Reserved



Bit	Description
5	<b>GBL_STS.</b> 1 = This bit is set when an SCI is generated due to BIOS wanting the attention of the SCI handler. BIOS has a corresponding bit, BIOS_RLS, which will cause an SCI and set this bit. 0 = The SCI handler should then clear this bit by writing a 1 to it.
4:1	Reserved
0	<b>TMROF_STS.</b> This is the timer overflow status bit. 1 = This bit gets set anytime the 22 <sup>nd</sup> bit of the 24 bit timer goes high (bits are counted from 0 to 23). This will occur every 2.3435 seconds. When the TMROF_EN bit is set, then the setting of the TMROF_STS bit will additionally generate an SCI or SMI# (depending on the SCI_EN). 0 = The SCI or SMI# handler clears this bit by writing a 1 to this bit.

### 8.8.3.2 PM1\_EN—Power Management 1 Enables Register

I/O Address:	PMBASE + 02h (ACPI PM1a_EVT_BLK + 2)	Attribute:	R/W
Default Value:	0000h	Size:	16 bits
Lockable:	No	Usage:	ACPI or Legacy
Power Well:	Bits 0:7: Core, Bits 8:15: Resume		

Bit	Description												
15:11	Reserved.												
10	<b>RTC_EN.</b> 1 = Enable. An SCI (or SMI#) or wake event will occur when this bit is set and the RTC_STS bit goes active. If this bit is not set, then setting the RTC_STS bit does not cause an SCI (or SMI#) or wake event. 0 = This bit is not cleared by any reset other than RTCRST# and a power button override event. <b>NOTE:</b> This bit is in the RTC well to allow an RTC event to wake after a power failure.												
9	Reserved												
8	<b>PWRBTN_EN.</b> This bit is used to enable the setting of the PWRBTN_STS bit to generate a power management event (SMI#, SCI). PWRBTN_EN has no effect on the PWRBTN_STS bit being set by the assertion of the power button. The Power Button is always enabled as a Wake event. 1 = Enable 0 = Disable												
7:6	Reserved.												
5	<b>GBL_EN.</b> The Global Enable bit. When both the GBL_EN and the GBL_STS are set, an SCI is raised. 1 = Enable 0 = Disable												
4:1	Reserved.												
0	<b>TMROF_EN.</b> This is the timer overflow interrupt enable bit and works in conjunction with the SCI_EN bit: <table border="1" style="margin-left: 20px;"> <thead> <tr> <th>TMROF_EN</th> <th>SCI_EN</th> <th>Effect when TMROF_STS is set</th> </tr> </thead> <tbody> <tr> <td>0</td> <td>x</td> <td>No SMI# or SCI</td> </tr> <tr> <td>1</td> <td>0</td> <td>SMI#</td> </tr> <tr> <td>1</td> <td>1</td> <td>SCI</td> </tr> </tbody> </table>	TMROF_EN	SCI_EN	Effect when TMROF_STS is set	0	x	No SMI# or SCI	1	0	SMI#	1	1	SCI
TMROF_EN	SCI_EN	Effect when TMROF_STS is set											
0	x	No SMI# or SCI											
1	0	SMI#											
1	1	SCI											

**8.8.3.3 PM1\_CNT—Power Management 1 Control**

I/O Address: PMBASE + 04h  
(*ACPI PM1a\_CNT\_BLK*)      Attribute: R/W

Default Value: 0000h      Size: 32 bits

Lockable: No      Usage: ACPI or Legacy

Power Well: Bits 0:7: Core,  
Bits 8:15: Resume

Bit	Description
13	<b>SLP_EN — WO.</b> This is a write-only bit and reads to it always return a zero. 1 = Setting this bit causes the system to sequence into the Sleep state defined by the SLP_TYP field.
12:10	<b>SLP_TYP.</b> This 3-bit field defines the type of Sleep the system should enter when the SLP_EN bit is set to 1. 000 = ON 001 = Just assert STPCLK#. Puts processor in Stop-Grant state. Also assert CPUSLP#, to put processor in sleep state. 010 = Reserved 011 = Reserved 100 = Reserved 101 = Suspend-To-RAM. Assert SLP_S3#. 110 = Suspend-To-Disk. Assert SLP_S3# and , SLP_S5#. 111 = Soft Off. Assert SLP_S3#, and SLP_S5#
2	<b>GBL_RLS.</b> This bit is used by the ACPI software to raise an event to the BIOS. BIOS software has a corresponding enable and status bits to control its ability to receive ACPI events. This bit always reads as 0.
1	Reserved
0	<b>SCI_EN.</b> Selects the SCI interrupt or the SMI interrupt for various events including the bits in the PM1_STS register (bit 10, 8, 0), and bits in GPE0_STS. 1 = These events will generate an SCI interrupt. 0 = These events will generate an SMI#.

**8.8.3.4 PM1\_TMR—Power Management 1 Timer Register**

I/O Address: PMBASE + 08h  
(*ACPI PMTMR\_BLK*)      Attribute: RO

Default Value: xx000000h      Size: 32 bits

Lockable: No      Usage: ACPI

Power Well: Core

Bit	Description
31:24	Reserved
23:0	<b>TMR_VAL.</b> This read-only field returns the running count of the PM timer. This counter runs off a 3.579545 MHz clock (14.31818 MHz divided by 4). It is reset to zero during a PCI reset, and then continues counting as long as the system is in the S0 state. Anytime the 22 <sup>nd</sup> bit of the timer goes HIGH to LOW (bits referenced from 0 to 23), the TMROF_STS bit is set. The High-to-Low transition will occur every 2.3435 seconds. If the TMROF_EN bit is set, an SCI interrupt is also generated. Writes to this register have no effect.

### 8.8.3.5 PROC\_CNT—Processor Control Register

I/O Address:	PMBASE + 10h ( <i>ACPI_P_BLK</i> )	Attribute:	R/W
Default Value:	00000000h	Size:	32 bits
Lockable:	No (bits 8:6 are write once)	Usage:	ACPI or Legacy
Power Well:	Core		

Bit	Description																											
31:18	Reserved.																											
17	<p><b>THTL_STS—RO.</b> This bit indicates if the clock state machine is in a low power state. 1 = Indicates that the clock state machine is in some type of low power state (where the processor is not running at its maximum performance): thermal throttling or hardware throttling.</p>																											
7:5	<p><b>THRM_DTY.</b> This write-once 3-bit field determines the duty cycle of the throttling when the thermal override condition occurs. The duty cycle indicates the approximate percentage of time the STPCLK# signal is asserted while in the throttle mode. The STPCLK# throttle period is 1024 PCICLKs. Note that the throttling only occurs if the system is in the C0 state. If in the C2 state, no throttling occurs.</p> <p>There is no enable bit for thermal throttling, because it should not be disabled. Once the THRM_DTY field is written, any subsequent writes will have no effect until PCIRST# goes active.</p> <table border="1"> <thead> <tr> <th>THRM_DTY</th> <th>Throttle Mode</th> <th>PCI Clocks</th> </tr> </thead> <tbody> <tr> <td>000</td> <td>RESERVED (Default) (Will be 50%)</td> <td>512</td> </tr> <tr> <td>001</td> <td>87.5%</td> <td>896</td> </tr> <tr> <td>010</td> <td>75.0%</td> <td>768</td> </tr> <tr> <td>011</td> <td>62.5%</td> <td>640</td> </tr> <tr> <td>100</td> <td>50%</td> <td>512</td> </tr> <tr> <td>101</td> <td>37.5%</td> <td>384</td> </tr> <tr> <td>110</td> <td>25%</td> <td>256</td> </tr> <tr> <td>111</td> <td>12.5%</td> <td>128</td> </tr> </tbody> </table>	THRM_DTY	Throttle Mode	PCI Clocks	000	RESERVED (Default) (Will be 50%)	512	001	87.5%	896	010	75.0%	768	011	62.5%	640	100	50%	512	101	37.5%	384	110	25%	256	111	12.5%	128
THRM_DTY	Throttle Mode	PCI Clocks																										
000	RESERVED (Default) (Will be 50%)	512																										
001	87.5%	896																										
010	75.0%	768																										
011	62.5%	640																										
100	50%	512																										
101	37.5%	384																										
110	25%	256																										
111	12.5%	128																										
4	<p><b>THTT_EN.</b> When set and the system is in a C0 state, it enables a processor-controlled STPCLK# throttling. The duty cycle is selected in the THTL_DTY field. 1 = Enable 0 = Disable</p>																											
3:1	<p><b>THTL_DTY.</b> This 3-bit field determines the duty cycle of the throttling when the THTL_EN bit is set. The duty cycle indicates the approximate percentage of time the STPCLK# signal is asserted (low) while in the throttle mode. The STPCLK# throttle period is 1024 PCICLKs.</p> <table border="1"> <thead> <tr> <th>THTL_DTY</th> <th>Throttle Mode</th> <th>PCI Clocks</th> </tr> </thead> <tbody> <tr> <td>000</td> <td>RESERVED (Default) (Will be 50%)</td> <td>512</td> </tr> <tr> <td>001</td> <td>87.5%</td> <td>896</td> </tr> <tr> <td>010</td> <td>75.0%</td> <td>768</td> </tr> <tr> <td>011</td> <td>62.5%</td> <td>640</td> </tr> <tr> <td>100</td> <td>50%</td> <td>512</td> </tr> <tr> <td>101</td> <td>37.5%</td> <td>384</td> </tr> <tr> <td>110</td> <td>25%</td> <td>256</td> </tr> <tr> <td>111</td> <td>12.5%</td> <td>128</td> </tr> </tbody> </table>	THTL_DTY	Throttle Mode	PCI Clocks	000	RESERVED (Default) (Will be 50%)	512	001	87.5%	896	010	75.0%	768	011	62.5%	640	100	50%	512	101	37.5%	384	110	25%	256	111	12.5%	128
THTL_DTY	Throttle Mode	PCI Clocks																										
000	RESERVED (Default) (Will be 50%)	512																										
001	87.5%	896																										
010	75.0%	768																										
011	62.5%	640																										
100	50%	512																										
101	37.5%	384																										
110	25%	256																										
111	12.5%	128																										
0	Reserved																											

### 8.8.3.6 LV2 — Level 2 Register

I/O Address:	PMBASE + 14h ( <i>ACPI P_BLK+4</i> )	Attribute:	RO
Default Value:	00h	Size:	8 bits
Lockable:	No	Usage:	ACPI or Legacy
Power Well:	Core		

Bit	Description
7:0	Reads to this register return all zeros, writes to this register have no effect. Reads to this register generate a “enter a level 2 power state” (C2) to the clock control logic. This will cause the STPCLK# signal to go active, and stay active until a break event occurs. Throttling (due either to THTL_EN or THRM# override) will be ignored.

### 8.8.3.7 GPE0\_STS—General Purpose Event 0 Status Register

I/O Address:	PMBASE + 28h ( <i>ACPI GPE0_BLK</i> )	Attribute:	R/W
Default Value:	0000h	Size:	16 bits
Lockable:	No	Usage:	ACPI
Power Well:	Resume		

**Note:** This register is symmetrical to the General Purpose Event 0 Enable Register. If the corresponding \_EN bit is set, then when the \_STS bit get set, the ICH generates a Wake Event. Once back in an S0 state (or if already in an S0 state when the event occurs), the ICH will also generate an SCI if the SCI\_EN bit is set, or an SMI# if the SCI\_EN bit is not set. No SCI/SMI# or wake event on THRMOR\_STS since no corresponding \_EN bit. None of these bits should be reset by CF9h write. All should be reset by RSMRST#, except for RI\_STS.

Bit	Description
15:12	Reserved.
11	<p><b>PME_STS.</b></p> <p>1 = This bit is set to 1 by hardware when the PME# signal goes active. Additionally, if the PME_EN bit is set, and the system is in an S0 state, then the setting of the PME_STS bit generates an SCI or SMI# (if SCI_EN is not set). If the PME_EN bit is set, and the system is in an S1-S4 state (or S5 state due to setting SLP_TYP and SLP_EN), then the setting of the PME_STS bit generates a wake event, and an SCI is generated. If the system is in an S5 state due to power button override or a power failure, then PME_STS does not cause a wake event or SCI.</p>
10:9	Reserved.
8	<p><b>RI_STS.</b></p> <p>1 = This bit is set to 1 by hardware when the RI# input signal goes active. The value of this bit must be maintained, even through a G3 state.</p> <p>0 = This bit can be reset by writing a one to this bit position.</p> <p><b>NOTE:</b> This bit is not effected by a hard reset caused by a CF9h write.</p>
7	<p><b>SMB_WAK_STS.</b></p> <p>1 = This bit is set to 1 by hardware to indicate that the wake event was caused by the ICH's SMBus logic.</p> <p>0 = This bit is cleared by writing back a 1 to this bit position.</p> <p>The SMBus controller will independently cause an SMI# or SCI, so this bit does not need to do so (unlike the other bits in this register). This bit is in resume well.</p>
6	<p><b>TCOSCI_STS.</b></p> <p>1 = This bit will be set to 1 by hardware when the TCO logic causes an SCI.</p> <p>0 = This bit can be reset by writing a one to this bit position.</p>

Bit	Description
5	<b>AC97_STS.</b> 1 = This bit will be set to 1 by hardware when the codecs are attempting to wake the system. The value of this bit must be maintained, even through a G3 state. The AC97_STS bit gets set only from the following two cases: 1.ACSDIN[1] or ACSDIN[0] is high and BITCLK is not oscillating, or 2.The GSCI bit is set (section 13.2.9, NAMBAR +30h, bit 0) 0 = This bit can be reset by writing a one to this bit position. This bit is not effected by a hard reset caused by a CF9h write.
4	Reserved.
3	<b>USB_STS.</b> 1 = This bit is set when USB controller needs to cause a wake. Additionally if the USB_EN bit is set, the setting of the USB_STS bit will generate a wake event. This bit is set only by hardware 0 = Reset by writing a one to this position or a resume-well reset.
2	Reserved.
1	<b>THRMOR_STS.</b> This is the thermal interrupt over-ride status. 1 = This bit is set by hardware anytime a thermal over-ride condition occurs and starts throttling the processor's clock at the THRM_DTY ratio. 0 = This bit is cleared by writing a one to this bit position or a resume-well reset. This does not cause an SMI#, SCI, or wake event.
0	<b>THRM_STS.</b> This is the thermal interrupt status bit. 1 = This bit is set by hardware anytime the THRM# signal is driven active as defined by the THRM_POL bit. Additionally if the THRM_EN bit is set, then the setting of the THRM_STS bit will additionally generate a power management event (SCI or SMI#). 0 = This bit is cleared by software by writing a one to this bit position or a resume-well reset.

### 8.8.3.8 GPE0\_EN—General Purpose Event 0 Enables Register

I/O Address:	PMBASE + 2Ah (ACPI GPE0_BLK + 2)	Attribute:	R/W
Default Value:	0000h	Size:	16 bits
Lockable:	No	Usage:	ACPI
Power Well:	Bits 0:7 Resume, Bits 8:15 RTC		

**Note:** This register is symmetrical to the General Purpose Event 0 Status Register. All the bits in this register should be cleared to 0 based on a Power Button Override. The resume well bits are all cleared by RSMRST#.

Bit	Description
15:12	Reserved.
11	<b>PME_EN.</b> Enables the setting of the PME_STS to generate a wake event and/or an SCI. PME# can be a wake event from the S1–S4 state or from S5 (if entered via SLP_EN, but not power button override). 1 = Enable 0 = Disable. This bit is only cleared by software, RTCRST#, or RSMRST#.
10:9	Reserved
8	<b>RI_EN.</b> When both RI_EN and RI_STS are set, a Wake event will occur. If RI_EN is not set, then when RI_STS is set, no Wake event will occur. This bit is only cleared by software or RTCRST#.

Bit	Description
7	<b>SMB_WAK_EN.</b> This bit enables the ICH's SMBus controller to generate a wake event. This bit is in the resume well. 1 = Enable 0 = Disable
6	<b>TCOSCI_EN.</b> When TCOSCI_EN and TCOSCI_STS are both set, an SCI will be generated. This bit is in the resume well. 1 = Enable 0 = Disable
5	<b>AC97_EN.</b> When both AC97_EN and AC97_STS bits are set, a Wake event will occur. If AC97_EN is not set, then when AC97_STS is set, no Wake event will occur. 0 = Disable
4	Reserved
3	<b>USB_EN.</b> This bit is used to enable the setting of the USB_STS bit to generate a wake event. The USB_STS bit is set anytime USB signals a wake event. Break events are handled via the interrupt. 1 = Enable 0 = Disable
2	<b>THRM#_POL.</b> This bit controls the polarity of the THRM# pin needed to set the THRM_STS bit. 1 = HIGH value on the THRM# signal will set the THRM_STS bit. 0 = Low value on the THRM# signal will set the THRM_STS bit.
1	Reserved.
0	<b>THRM_EN.</b> This is the thermal enable bit. When this bit is set an active assertion of the THRM# signal (as defined by the THRM_POL bit) will set the THRM_STS bit and generate a power management event (an SCI or SMI). 1 = Enable 0 = Disable

### 8.8.3.9 GPE1\_STS—General Purpose Event 1 Status Register

I/O Address:	PMBASE + 2Ch ( <i>ACPI GPE1_BLK</i> )	Attribute:	R/W
Default Value:	0000h	Size:	16 bits
Lockable:	No	Usage:	ACPI
Power Well:	Resume		

This register is symmetrical to the General Purpose Event 1 Enable Register. GPIOs that are not implemented do not have the corresponding bits implemented in this register.

Bit	Description
15:0	<b>GPI[n]_STS.</b> 1 = These bits are set any time the corresponding GPIO is set up as an input and the corresponding GPIO signal is low (or high if the corresponding GP_INV bit is set). If the corresponding GPI[n]_EN bit is set in the GPE1_EN register, and the GPI[n]_STS bit is set, then: <ul style="list-style-type: none"> <li>If the system is in an S1_S5 state, the event will also wake the system.</li> <li>If the system is in an S0 state (or upon waking back to an S0 state), an SMI# or SCI will be caused, depending on the GPI_ROUT bits for the corresponding GPI.</li> </ul> 0 = Each bit is cleared by writing a 1 to the bit position when the corresponding GPIO signal is not active. (The status bit will not be cleared if writing a 1 to the bit position while the signal is still active).

### 8.8.3.10 GPE1\_EN—General Purpose Event 1 Enable Register

I/O Address:	PMBASE + 2Eh (ACPI GPE1_BLK + 2)	Attribute:	R/W
Default Value:	0000h	Size:	16 bits
Lockable:	No	Usage:	ACPI
Power Well:	Resume		

**Note:** This register is symmetrical to the General Purpose Event 1 Status Register. GPIOs that are not implemented do not have the corresponding bits implemented in this register.

Bit	Description
15:0	<b>GPI[n]_EN.</b> These bits enable the corresponding GPI[n]_STS bits being set to cause an SMI#, SCI, and/or wake event.

### 8.8.3.11 SMI\_EN—SMI Control and Enable Register

I/O Address:	PMBASE + 30h	Attribute:	R/W
Default Value:	0000h	Size:	16 bit
Lockable:	No	Usage:	ACPI or Legacy
Power Well:	Core		

Bit	Description
15	Reserved
14	<b>1MIN_EN.</b> 1 = Enables the ICH to generate an SMI# when the 1MIN_STS bit is set in the SMI_STS register.
13	<b>TCO_EN.</b> 1 = Enables the TCO logic to generate SMI#. 0 = Disables TCO logic generating an SMI#.  <b>NOTE:</b> If the NMI2SMI_EN bit is set, SMIs that are caused by re-routed NMIs will not be gated by the TCO_EN bit. Even if the TCO_EN bit is 0, NMIs will still be routed to cause SMIs.
12:8	Reserved
7	<b>BIOS_RLS.</b> 1 = Enables the generation of an SCI interrupt for ACPI software when a one is written to this bit position by BIOS software. This bit always reads a zero.
6	<b>SWSMI_TMR_EN.</b> 1 = Starts Software SMI# Timer. When the 64 ms timer expires ( $\pm 4$ ms), it will generate an SMI# and set the SWSMI_TMR_STS bit. The SWSMI_TMR_EN bit will remain at 1 until software sets it back to 0. 0 = Disable. Clearing the SWSMI_TMR_EN bit before the timer expires will reset the timer and the SMI# will not be generated. The default for this bit is 0.
5	<b>APMC_EN.</b> 1 = Enables writes to the APMC register to cause an SMI#
4	<b>SLP_SMI_EN.</b> 1 = When this bit is set, any write of a 1 to the SLP_EN bit (bit 13 in PM1_CNT register) generates an SMI#, and the system does not transition to the sleep state based on that write to the SLP_EN bit. 0 = Disables the generation of SMI# on SLP_EN.  <b>NOTE:</b> This bit must be 0 before the software attempts to transition the system into a sleep state by writing a 1 to the SLP_EN bit.

Bit	Description
3	<b>LEGACY_USB_EN.</b> 1 = Enables legacy USB circuit to cause SMI#.
2	<b>BIOS_EN.</b> 1 = Enables the generation of SMI# when ACPI software writes a 1 to the GBL_RLS bit.
1	<b>EOS (End of SMI).</b> This bit controls the arbitration of the SMI signal to the processor. This bit must be set for the ICH to assert SMI# low to the processor. When this bit is set, SMI# signal is deasserted for 4 PCI clocks before its assertion. Once the ICH asserts SMI# low, the EOS bit is automatically cleared. In the SMI handler, the processor should clear all pending SMIs (by servicing them and then clearing their respective status bits), set the EOS bit, and exit SMM. This allows the SMI arbiter to re-assert SMI upon detection of an SMI event and the setting of a SMI status bit.
0	<b>GBL_SMI_EN.</b> 1 = Enables the generation of SMIs in the system upon any enabled SMI event. 0 = This bit is reset by a PCI reset event. If this bit is not set, no SMI# will be generated.

### 8.8.3.12 SMI\_STS—SMI Status Register

I/O Address:	PMBASE + 34h	Attribute:	R/W
Default Value:	0000h	Size:	16 bits
Lockable:	No	Usage:	ACPI or Legacy
Power Well:	Core		

**Note:** If the corresponding \_EN bit is set when the \_STS bit is set, the ICH causes an SMI# (except bits 8-10 and 12, which do not need enable bits since they are logic ORs of other registers that have enable bits).

Bit	Description
15	<b>SERIRQ_SMI_STS.</b> 1 = Indicates that the SMI# was caused by the SERIRQ decoder. 0 = SMI# was not caused by SERIRQ decoder. This is not a sticky bit.
14	<b>1MIN_STS.</b> 1 = This is set once per minute ( $\pm 4$ seconds). If the 1MIN_EN bit is also set, the ICH generates an SMI#. 0 = This bit is cleared by writing a 1 to its bit position.
13	<b>TCO_STS.</b> 1 = Indicates the SMI# was caused by the TCO logic. 0 = SMI# not caused by TCO logic.
12	<b>DEVMON_STS.</b> This bit is a logical OR of bit 12 and 13 in IOMON_STS_EN and DEVACT_STS registers and is not a sticky bit. 1 = Indicates that the device monitoring logic to generate SMI#. The specific cause of the SMI# is indicated in the IOMON_STS_EN register and DEVACT_STS register.
11	Reserved
10	<b>GPE1_STS.</b> This bit is a logical OR of the bits in the GPE1_STS register that are also set up to cause an SMI# (as indicated by the GPI_ROUT registers) and have the corresponding bit set in the GPE1_EN register. Bits that are not routed to cause an SMI# have no effect on the GPE1_STS bit. This is not a sticky bit
9	<b>GPE0_STS.</b> This bit is a logical OR of the bits in the GPE0_STS register that also have the corresponding bit set in the GPE0_EN register. This bit is NOT sticky.
8	<b>PM1_STS_REG.</b> This is an OR of the bits (except bit 5) in the ACPI PM1 Status Reg. (offset PMBASE+00h). Not sticky.
7	Reserved.



Bit	Description
6	<b>SWSMI_TMR_STS.</b> 1 = Set by the hardware when the Software SMI# Timer expires. 0 = This bit will remain 1 until the software writes a 1 to this bit.
5	<b>APM_STS.</b> SMI# was generated by a write access to the APM control register and if the APMC_EN bit is set. 0 = Cleared by writing a 1 to its bit position.
4	<b>SLP_SMI_STS.</b> 1 = Indicates an SMI# was caused by a write of 1 to SLP_EN bit when SLP_SMI_EN bit is also set. 0 = Cleared by software writing a 1 to the bit position.
3	<b>LEGACY_USB_STS.</b> This non-sticky bit is a logical OR of each of the SMI status bits in the USB Legacy key board Register ANDed with the corresponding enable bits. This bit will not be active if the enable bits are not set.
2	<b>BIOS_STS.</b> SMI# was generated due to ACPI software requesting attention (writing a 1 to the GBL_RLS bit with the BIOS_EN bit set). This bit is set by hardware and cleared by software writing a 1 to its bit position.
1:0	Reserved.

### 8.8.3.13 IOMON\_STS\_EN — I/O Monitor Status and Enable Register

I/O Address:	PMBASE +40h	Attribute:	R/W
Default Value:	0000h	Size:	16 bits
Lockable:	No	Usage:	Legacy Only
Power Well:	Core		

Bit	Description
15:14	Reserved
13	<b>IOMON2_STS.</b> 1 = Indicates that the SMI# was caused by an access to the I/O monitor range set in the I/O Monitor Range 2 Register. 0 = Cleared by writing a 1 to the bit position.
12	<b>IOMON1_STS.</b> 1 = Indicates that the SMI# was caused by an access to the I/O monitor range set in the I/O Monitor Range 1 Register 0 = Cleared by writing a 1 to the bit position.
11:10	Reserved
9	<b>IOMON2_EN.</b> 1 = Enables the generation of an SMI# upon an access to the I/O monitor range set in the I/O Monitor Range 2 Register 0 = Disable.
8	<b>IOMON1_EN.</b> 1 = Enables the generation of an SMI# upon an access to the I/O monitor range set in the I/O Monitor Range 1 Register 0 = Disable
7:0	Reserved

**8.8.3.14 DEVACT\_STS — Device Activity Status Register**

I/O Address:	PMBASE +44h	Attribute:	R/W
Default Value:	0000h	Size:	16 bits
Lockable:	No	Usage:	Legacy Only
Power Well:	Core		

A set bit, except for bits 6:9, indicates an access has been performed to the corresponding device's I/O range; for bits 6:9, a set bit indicates the corresponding PCI interrupt is active. Write 1 to the same bit position to clear it. This register is used in conjunction with the 1 minute SMI# timer to detect any system activity for legacy desktop power management.

Bit	Description
13	<b>ADLIB_ACT_STA.</b> Ad-Lib. 1 = Enable. 0 = Disable.
12	<b>KBC_ACT_STS.</b> KBC (60/64h). 1 = Enable. 0 = Disable.
11	<b>MIDI_ACT_STS.</b> MIDI. 1 = Enable. 0 = Disable.
10	<b>AUDIO_ACT_STS.</b> Audio (Sound Blaster "OR'd" with MSS). 1 = Enable. 0 = Disable.
9	<b>PIRQD_ACT_STS.</b> PIRQ[D]#. 1 = Enable. 0 = Disable.
8	<b>PIRQC_ACT_STS.</b> PIRQ[C]#. 1 = Enable. 0 = Disable.
7	<b>PIRQB_ACT_STS.</b> PIRQ[B]#. 1 = Enable. 0 = Disable.
6	<b>PIRQA_ACT_STS.</b> PIRQ[A]#. 1 = Enable. 0 = Disable.
5	<b>LEG_ACT_STS.</b> Paraller Port, Serial Port 1, Serial Port 2, Floppy Disk Controller.
4	Reserved.
3	<b>IDES1_ACT_STS.</b> IDE Secondary Drive 1. 1 = Enable. 0 = Disable.
2	<b>IDES0_ACT_STS.</b> IDE Secondary Drive 0. 1 = Enable. 0 = Disable.
1	<b>IDEP1_ACT_STS.</b> IDE Primary Drive 1. 1 = Enable. 0 = Disable.
0	<b>IDEP0_ACT_STS.</b> IDE Primary Drive 0. 1 = Enable. 0 = Disable.

### 8.8.3.15 **BUS\_ADDR\_TRACK— Bus Address Tracker**

I/O Address:	PMBASE +4Ch	Attribute:	RO
Lockable:	No	Size:	16 bits
Power Well:	Core	Usage:	Legacy Only

This register could be used by the SMI# handler to assist in determining what was the last cycle from the processor.

Bit	Description
15:0	Corresponds to the low 16 bits of the last I/O cycle, as would be defined by the PCI AD[15:0] signals on the PCI bus (even though it may not be a real PCI cycle). The value is latched based on SMI# active. This functionality is useful for figuring out which I/O was last being accessed.

### 8.8.3.16 **BUS\_CYC\_TRACK— Bus Cycle Tracker**

I/O Address:	PMBASE +4Eh	Attribute:	RO
Lockable:	No	Size:	8 bits
Power Well:	Core	Usage:	Legacy Only

This register could be used by the SMM handler to assist in determining what was the last cycle from the processor.

Bit	Description
7:4	Corresponds to the byte enables, as would be defined by the PCI C/BE# signals on the PCI bus (even though it may not be a real PCI cycle). The value is latched based on SMI# going active.
3:0	Corresponds to the cycle type, as would be defined by the PCI C/BE# signals on the PCI bus (even though it may not be a real PCI cycle). The value is latched based on SMI# going active.

## 8.9 System Management TCO Registers (D31:F0)

The TCO logic is accessed via registers mapped to the PCI configuration space (Device 31:Function 0) and the system I/O space. For TCO PCI Configuration registers, see LPC Device 31:Function 0 PCI Configuration registers.

### 8.9.1 TCO Register I/O Map

The TCO I/O registers reside in a 32-byte range pointed to by a TCOBASE value, which is, ACPIBASE + 60h in the PCI config space. Table 8-11 shows the mapping of the registers within that 32-byte range. Each register is described in the following sections.

**Table 8-11. TCO I/O Register Map**

Offset	Read/Write	Register Name
00h	R/W	TCO_RLD: TCO Timer Reload and Current Value
01h	R/W	TCO_TMR: TCO Timer Initial Value
02h	R/W	TCO_DAT_IN: TCO Data In
03h	R/W	TCO_DAT_OUT: TCO Data Out
04h–05h	R/W	TCO1_STS : TCO Status
06h–07h	R/W	TCO2_STS : TCO Status
08h–09h	R/W	TCO1_CNT: TCO Control
0Ah–0Bh	R/W	TCO2_CNT: TCO Control

**NOTE:**

1. Reserved registers are read only and are not shown.

### 8.9.2 TCO1\_RLD—TCO Timer Reload and Current Value

I/O Address: TCOBASE +00h      Attribute: R/W  
 Default Value: 0000h      Size: 8 bits  
 Lockable: No      Power Well: Core

Bit	Description
7:0	Reading this register returns the current count of the TCO timer. Writing any value to this register reloads the timer to prevent the timeout. Bits 7:6 are always be 0.

### 8.9.3 TCO1\_TMR—TCO Timer Initial Value

I/O Address: TCOBASE +01h      Attribute: R/W  
 Default Value: 0004h      Size: 8 bits  
 Lockable: No      Power Well: Core

Bit	Description
7:6	Reserved
5:0	Value that is loaded into the timer each time the TCO_RLD register is written. Values of 0h–3h are ignored and should not be attempted. The timer is clocked at approximately 0.6 seconds, and this allows timeouts ranging from 2.4 seconds to 38 seconds.

### 8.9.4 TCO1\_DAT\_IN—TCO Data In Register

I/O Address:	TCOBASE +02h	Attribute:	R/W
Default Value:	0000h	Size:	8 bits
Lockable:	No	Power Well:	Core

Bit	Description
7:0	Data Register for passing commands from the OS to the SMI handler. Writes to this register cause an SMI and sets the OS_TCO_SMI bit in the TCO_STS register.

### 8.9.5 TCO1\_DAT\_OUT—TCO Data Out Register

I/O Address:	TCOBASE +03h	Attribute:	R/W
Default Value:	0000h	Size:	8 bits
Lockable:	No	Power Well:	Core

Bit	Description
7:0	Data Register for passing commands from the SMI handler to the OS. Writes to this register set the TCO_INT_STS bit in the TCO_STS register. It also causes an interrupt, as selected by the TCO_INT_SEL bits.

### 8.9.6 TCO1\_STS—TCO1 Status Register

I/O Address:	TCOBASE +04h	Attribute:	R/W
Default Value:	0000h	Size:	16 bits
Lockable:	No	Power Well:	Core (Except bit 7, in RTC)

Unless otherwise indicated, these bits are all “sticky” and are cleared by writing a 1 to the corresponding bit position.

Bit	Description
15:13	Reserved
12	<b>Host Controller SERR Status (HCSERR_STS).</b> 1 = Host Controller indicates that it wants to cause an SERR#. The software must read the Host Controller to find out the reason for the Host Controller to generate the SERR#. 0 = Cleared by writing a 1 to its bit position.
11	<b>Host Controller NMI Status (HCNMI_STS).</b> 1 = Host Controller indicates that it wants to cause an NMI. The software must read the Host Controller to find out the reason for the Host Controller to generate the NMI. 0 = Cleared by writing a 1 to its bit position.
10	<b>Host Controller SMI Status (HCSMI_STS).</b> 1 = Host Controller indicates that it wants to cause an SMI. The software must read the Host Controller to find out why it wanted the SMI. 0 = Cleared by writing a 1 to its bit position.
9	<b>Host Controller SCI Status (HCSCI_STS).</b> 1 = This bit is set to 1 if the Host Controller indicates that it wants to cause an SCI. The software must read the Host Controller to find out why it wanted the SCI. 0 = Cleared by writing a 1 to its bit position.

Bit	Description
8	<p><b>BIOSWR_STS.</b> 1 = ICH sets this bit and generates an SMI# to indicate an illegal attempt to write to the BIOS. This occurs when either: a) The BIOSWE bit is changed from 0 to 1 and the BLD bit is also set, or b) any write is attempted to the BIOS and the BIOSWE bit is also set.</p> <p><b>NOTE:</b> On write cycles attempted to the 4 MB lower alias to the BIOS space, the BIOSWR_STS is not set.</p>
7	<p><b>NEWCENTURY_STS.</b> This bit is in the RTC well. 1 = This bit is set to 1 when the Year byte (RTC I/O space, index offset 09h) rolls over from 99 to 00. Setting this bit causes an SMI# (but not a wake event). 0 = Cleared by writing a 1 to the bit position or by RTCRST# going active.</p>
6:4	Reserved
3	<b>TIMEOUT.</b> Bit set to 1 by ICH to indicate that the SMI was caused by the TCO timer reaching 0.
2	<b>TCO_INT_STS.</b> 1 = SMI handler caused the interrupt by writing to the TCO_DAT_OUT register.
1	<b>SW_TCO_SMI.</b> 1 = Software caused an SMI# by writing to the TCO_DAT_IN register.
0	<b>NMI2SMI_STS.</b> 1 = Set by the ICH when an SMI# occurs because an event occurred that would otherwise have caused an NMI. 0 = Cleared by writing a 1 to this bit position.

### 8.9.7 TCO2\_STS—TCO2 Status Register

I/O Address:	TCOBASE +06h	Attribute:	R/W
Default Value:	0000h	Size:	16 bits
Lockable:	No	Power Well:	Resume (Except Bit 0, in RTC)

Bit	Description
15:3	Reserved
2	<p><b>BOOT_STS.</b> 1 = Set to 1 when the SECOND_TO_STS bit goes from 0 to 1 and the processor has not fetched the first instruction. 0 = Cleared by ICH based on RSMRST# or by software writing a 1 to this bit. Note that software should first clear the SECOND_TO_STS bit before writing a 1 to clear the BOOT_STS bit.</p> <p><b>NOTE:</b> If rebooting due to a second TCO timer timeout, and if the BOOT_STS bit is set, the ICH will reboot using the 'safe' multiplier (1111). This allows the system to recover from a processor frequency multiplier that is too high, and allows the BIOS to check the BOOT_STS bit at boot. If the bit is set and the frequency multiplier is 1111, then the BIOS knows that the processor has been programmed to an illegal multiplier.</p>
1	<p><b>SECOND_TO_STS.</b> 1 = The ICH sets this bit to a 1 to indicate that the TCO timer timed out a second time (probably due to system lock). If this bit is set the ICH will reboot the system after the second timeout. The reboot is done by asserting PCIRST#. 0 = This bit is cleared by writing a 1 to the bit position or by a RSMRST#.</p>
0	<p><b>Intruder Detect (INTRD_DET).</b> This bit is in the RTC well. 1 = Set by ICH to indicate that an intrusion was detected. This bit is set even if the system is in G3 state. 0 = This bit is only cleared by writing a 1 to the bit position or by RTCRST#.</p>

## 8.9.8 TCO1\_CNT—TCO1 Control Register

I/O Address:	TCOBASE +08h	Attribute:	R/W
Default Value:	0000h	Size:	16 bits
Lockable:	No	Power Well:	Core

Bit	Description
15:12	Reserved
11	<p><b>TCO Timer Halt.</b></p> <p>1 = The TCO Timer will halt. It will not count, and thus cannot reach a value that will cause an SMI# or set the SECOND_TO_STS bit. For the ICH (82801AA), when set, this bit will prevent rebooting and prevent Alert On LAN event messages (but not Alert On LAN heartbeat messages).</p> <p>0 = The TCO Timer is enabled to count.</p>
10	<p><b>ICH (82801AA):</b></p> <p><b>SENDNOW.</b></p> <p>1 = Writing a 1 to this bit will cause the ICH to send an Alert On LAN Event message with the Software Event bit set.</p> <p>0 = The ICH will clear this bit to 0 when it has completed sending the message. Software must not set this bit to 1 again until the ICH has set it back to 0.</p> <p><b>ICH0 (82801AB):</b></p> <p>Reserved.</p>
9	<p><b>NMI2SMI_EN.</b> Setting this bit to 1 while both NMI_EN bit and SMI_EN bit are set will force all NMI's to instead cause an SMI#. This is reported in the TCO1_STS register. The SMI# handler can cause an NMI by writing a 1 to the NMI_NOW bit.</p> <p>When this bit is set to 1, no NMI will be generated. If this bit is set to 1, but the NMI_EN bit is not set, then no NMI or SMI# based on NMI events will be generated.</p>
8	<p><b>NMI_NOW.</b> Writing a 1 to this bit causes an NMI. This allows the BIOS or SMI handler to force an entry to the NMI handler. The NMI handler is expected to clear this bit. Another NMI is not generated until the bit is cleared by writing back a 1.</p>
7:0	Reserved

## 8.9.9 TCO2\_CNT—TCO2 Control Register

I/O Address:	TCOBASE +0Ah	Attribute:	R/W
Default Value:	0000h	Size:	16 bits
Lockable:	No	Power Well:	Resume

Bit	Description
15:3	Reserved.
2:1	<p><b>INTRD_SEL.</b> Selects the action to take if the INTRUDER# signal goes active.</p> <p>00 = Reserved</p> <p>01 = Interrupt (as selected by TCO_INT_SEL).</p> <p>10 = SMI</p> <p>11 = Reserved</p>
0	Reserved.

### 8.9.10 TCO\_MESSAGE1 and TCO\_MESSAGE2 Registers (ICH 82801AA only)

I/O Address:	TCOBASE +0Ch (Message 1) TCOBASE +0Dh (Message 2)	Attribute:	R/W
Default Value:	00h	Size:	8 bits
Lockable:	No	Power Well:	Resume

Unless otherwise indicated, these bits are all “sticky” and are cleared by writing a 1 to the corresponding bit position.

Bit	Description
7:0	The value written into this register will be sent out in the MESSAGE field of the Alert On LAN message. BIOS can write to this register to indicate its boot progress which can be monitored externally

### 8.9.11 TCO\_WDSTATUS—TCO2 Control Register (ICH 82801AA only)

Offset Address:	TCOBASE + 0Eh	Attribute:	R/W
Default Value:	0000h	Size:	8 bits
Power Well:	Resume		

Bit	Description
7:0	<b>WDSTATUS.</b> The value written to this register will be sent in the Alert On LAN message. It can be used by the BIOS or system management software to indicate more details on the boot progress.



## 8.10 General Purpose I/O Registers (D31:F0)

The control for the general purpose I/O signals is handled through a separate 64-byte I/O space. The base offset for this space is selected by the GPIO\_BAR register. Table 8-12 summarizes the ICH GPIO implementation.

**Table 8-12. Summary of GPIO Implementation (Sheet 1 of 3)**

GPIO	Type	Alternate Function (1)	Power Well	Notes
GPIO[0]	Input Only	REQ[A]#	Core	<ul style="list-style-type: none"> <li>GPIO_USE_SEL bit 0 enables REQ/GNT[A]# pair.</li> <li>Input active status read from GPE1_STS register bit 0.</li> <li>Input active high/low set through GPI_INV register bit 0.</li> </ul>
GPIO[1]	Input Only	REG[B]# or REQ[5]# on ICH (82801AA) REQ[B]# only on ICH0 (82801AB)	Core	<ul style="list-style-type: none"> <li>GPIO_USE_SEL bit 1 enables REQ/GNT[B]# pair.</li> <li>Input active status read from GPE1_STS register bit 1.</li> <li>Input active high/low set through GPI_INV register bit 1.</li> </ul>
GPIO[2]	N/A	N/A	N/A	<ul style="list-style-type: none"> <li>Not Implemented</li> </ul>
GPIO[3]	N/A	N/A	N/A	<ul style="list-style-type: none"> <li>Not Implemented</li> </ul>
GPIO[4]	N/A	N/A	N/A	<ul style="list-style-type: none"> <li>Not Implemented</li> </ul>
GPIO[5]	Input Only	Unmuxed	Core	<ul style="list-style-type: none"> <li>Input active status read from GPE1_STS register bit 5.</li> <li>Input active high/low set through GPI_INV register bit 5.</li> </ul>
GPIO[6]	Input Only	Unmuxed	Core	<ul style="list-style-type: none"> <li>Input active status read from GPE1_STS register bit 6.</li> <li>Input active high/low set through GPI_INV register bit 6.</li> </ul>
GPIO[7]	Input Only	PERR# on ICH (82801AA) Unmuxed on ICH0 (82801AB)	Core	<ul style="list-style-type: none"> <li>Input active status read from GPE1_STS register bit 7.</li> <li>Input active high/low set through GPI_INV register bit 7.</li> </ul>
GPIO[8]	Input Only	LDRQ[1]#	Resume	<ul style="list-style-type: none"> <li>Input active status read from GPE1_STS register bit 8.</li> <li>Input active high/low set through GPI_INV register bit 8.</li> </ul>
GPIO[9]	Input Only	AC_SDIN[1]	Resume	<ul style="list-style-type: none"> <li>Input active status read from GPE1_STS register bit 9.</li> <li>Input active high/low set through GPI_INV register bit 9.</li> </ul>
GPIO[10]	N/A	N/A	N/A	<ul style="list-style-type: none"> <li>Not Implemented</li> </ul>
GPIO[11]	Input Only	SMBALERT#	Resume	<ul style="list-style-type: none"> <li>Input active status read from GPE1_STS register bit 11.</li> <li>Input active high/low set through GPI_INV register bit 11.</li> </ul>

Table 8-12. Summary of GPIO Implementation (Sheet 2 of 3)

GPIO	Type	Alternate Function (1)	Power Well	Notes
GPIO[12]	Input Only	Unmuxed	Resume	<ul style="list-style-type: none"> <li>Input active status read from GPE1_STS register bit 12.</li> <li>Input active high/low set through GPI_INV register bit 12.</li> </ul>
GPIO[13]	Input Only	Unmuxed	Resume	<ul style="list-style-type: none"> <li>Input active status read from GPE1_STS register bit 13.</li> <li>Input active high/low set through GPI_INV register bit 13.</li> </ul>
GPIO[14]	N/A	N/A	N/A	<ul style="list-style-type: none"> <li>Not Implemented</li> </ul>
GPIO[15]	N/A	N/A	N/A	<ul style="list-style-type: none"> <li>Not Implemented</li> </ul>
GPIO[16]	Output Only	GNT[A]#	Core	<ul style="list-style-type: none"> <li>Blink enabled via GPO_BLINK register bit 16.</li> <li>Output controlled via GP_LVL register bit 16.</li> <li>TTL driver output</li> </ul>
GPIO[17]	Output Only	GNT[B]# or GNT[5]# on ICH (82801AA) GNT[B]# only on ICH0 (82801AB)	Core	<ul style="list-style-type: none"> <li>Blink enabled via GPO_BLINK register bit 17.</li> <li>Output controlled via GP_LVL register bit 17.</li> <li>TTL driver output</li> </ul>
GPIO[18]	N/A	N/A	N/A	<ul style="list-style-type: none"> <li>Not Implemented</li> </ul>
GPIO[19]	N/A	N/A	N/A	<ul style="list-style-type: none"> <li>Not Implemented</li> </ul>
GPIO[20]	N/A	N/A	N/A	<ul style="list-style-type: none"> <li>Not Implemented</li> </ul>
GPIO[21]	Output Only	Unmuxed	Core	<ul style="list-style-type: none"> <li>Blink enabled via GPO_BLINK register bit 21.</li> <li>This GPIO defaults high for connection to MISA NOGO input.</li> <li>Output controlled via GP_LVL register bit 21.</li> <li>TTL driver output</li> </ul>
GPIO[22]	Output Only	Unmuxed	Core	<ul style="list-style-type: none"> <li>Blink enabled via GPO_BLINK register bit 22.</li> <li>Output controlled via GP_LVL register bit 22.</li> <li>TTL driver output</li> </ul>
GPIO[23]	Output Only	Unmuxed	Core	<ul style="list-style-type: none"> <li>Blink enabled via GPO_BLINK register bit 23.</li> <li>Output controlled via GP_LVL register bit 23.</li> <li>Open drain driver output</li> </ul>
GPIO[24]	Output Only	SLP_S3#	Resume	<ul style="list-style-type: none"> <li>Blink enabled via GPO_BLINK register bit 24.</li> <li>Output controlled via GP_LVL register bit 24.</li> <li>TTL driver output</li> </ul>
GPIO[25]	Output Only	SUS_STAT#	Resume	<ul style="list-style-type: none"> <li>Blink enabled via GPO_BLINK register bit 25.</li> <li>Output controlled via GP_LVL register bit 25.</li> <li>TTL driver output</li> </ul>
GPIO[26]	Output Only	SUS_CLK on ICH (82801AA) Unmuxed on ICH0 (82801AB)	Resume	<ul style="list-style-type: none"> <li>Output controlled via GP_LVL register bit 26.</li> <li>Input active status read from GP_LVL register bit 26.</li> <li>TTL driver output</li> </ul>

**Table 8-12. Summary of GPIO Implementation (Sheet 3 of 3)**

GPIO	Type	Alternate Function (1)	Power Well	Notes
GPIO[27]	Input / Output	ALERTCLK on ICH (82801AA) Unmuxed on ICH0 (82801AB)	Resume	For the ICH (82801AA), GPIO_USE_SEL bit 27 enables ALERTCLK/ALERTDATA pair. <ul style="list-style-type: none"> <li>• Blink enabled via GPO_BLINK register bit 27.</li> <li>• Output controlled via GP_LVL register bit 27.</li> <li>• Input active status read from GP_LVL register bit 27.</li> <li>• Input active high/low set through GPI_INV register bit 27.</li> <li>• Input / Output select set via GP_IO_SEL register bit 27.</li> <li>• Open drain driver output</li> </ul>
GPIO[28]	Input / Output	ALERTDATA on ICH (82801AA) Unmuxed on ICH0 (82801AB)	Resume	For the ICH (82801AA), GPIO_USE_SEL bit 28 enables ALERTCLK/ALERTDATA pair. <ul style="list-style-type: none"> <li>• Blink enabled via GPO_BLINK register bit 28.</li> <li>• Output controlled via GP_LVL register bit 28.</li> <li>• Input active high/low set through GPI_INV register bit 28.</li> <li>• Input / Output select set via GP_IO_SEL register bit 28.</li> <li>• Open Drain driver output</li> </ul>
GPIO[29]	N/A	N/A	N/A	• Not Implemented
GPIO[30]	N/A	N/A	N/A	• Not Implemented
GPIO[31]	N/A	N/A	N/A	• Not Implemented

**NOTES:**

1. All GPIOs default to their alternate function.
2. All inputs are sticky. The status bit will remain set as long as the input was asserted for 2 clocks. GPIs are sampled on PCI clocks in S0/S1. GPIs are sampled on RTC clocks in S3/S4/S5.
3. All GPIs can be routed to cause an SCI or SMI#

## 8.10.1 GPIO Register I/O Address Map

Table 8-13. Registers to Control GPIO

Offset	Mnemonic	Register Name	Default	Access
<b>General Registers</b>				
00–03h	GPIO_USE_SEL	GPIO Use Select	00E03060h (ICH: 82801AA) 0CE030E0 (ICH0: 82801AB)	R/W
04–07h	GP_IO_SEL	GPIO Input/Output Select	0000FFFFh	R/W
08–0Bh		Reserved	0	RO
0C–0Fh	GP_LVL	GPIO Level for Input or Output	00200000h	R/W
10–13h		Reserved	0	RO
<b>Output Control Registers</b>				
14–17h	GPO_TTL	GPIO TTL Select	06630000h	RO
18–1Bh	GPO_BLINK	GPIO Blink Enable	00000000h	R/W
1C–1Fh		Reserved	0	RO
<b>Input Control Registers</b>				
20–2Bh		Reserved	00000000h	RO
2C–2Fh	GPI_INV	GPIO Signal Invert	00000000h	R/W

## 8.10.2 GPIO\_USE\_SEL—GPIO Use Select Register

Offset Address:	GPIOBASE + 00h	Attribute:	R/W
Lockable:	No	Size:	32 bits
		Power Well:	Resume
Default Value:	00E03060h (ICH: 82801AA) 0CE030E0h (ICH0: 82801AB)		

For GPIOx signal pins that are multiplexed with other functions, the bits in this register select either the GPIOx or alternative function.

Bit	Description
31:28	Reserved (HW =0).
27	<b>ICH (82801AA):</b> <b>GPIO_USE_SEL.</b> 1 = GPIO[28] and GPIO[27]. 0 = ALERTDATA AND ALERTCLK <b>ICH0 (82801AB):</b> Reserved (HW =1).
26	<b>ICH (82801AA):</b> <b>GPIO_USE_SEL.</b> 1 = GPIO[26] 0 = SUS_CLK <b>ICH0 (82801AB):</b> Reserved (HW =1).
25	<b>GPIO_USE_SEL.</b> 1 = GPIO[25] 0 = SUS_STAT#
24	<b>GPIO_USE_SEL.</b> 1 = GPIO[24] 0 = SLP_S3#
23:21	Reserved (HW=1).
20:14	Reserved (HW=0).
13:12	Reserved (HW=1)
11	<b>GPIO_USE_SEL.</b> 1 = GPIO[11] 0 = SMBALERT#
10	Reserved (HW=0).
9	<b>GPIO_USE_SEL.</b> 1 = GPIO[9] 0 = AC_SDIN[1]
8	<b>GPIO_USE_SEL.</b> 1 = GPIO[8] 0 = LDRQ[1]#

Bit	Description
7	<b>ICH (82801AA):</b> <b>GPIO_USE_SEL.</b> 1 = GPIO[7] 0 = PERR# <b>ICH0 (82801AB):</b> Reserved (HW=1)
6:5	Reserved (HW=1)
4:2	Reserved (HW=0)
1	<b>ICH (82801AA):</b> <b>GPIO_USE_SEL.</b> 1 = GPIO[1] and GPIO[17] 0 = GNT[B]#/REQ[B]# or GNT[5]#/REQ[5]# <b>ICH0 (82801AB):</b> <b>GPIO_USE_SEL.</b> 1 = GPIO[1] and GPIO[17] 0 = GNT[B]#/REQ[B]#
0	<b>GPIO_USE_SEL.</b> 1 = GPIO[1] and GPIO[16] 0 = GNT[A]#/REQ[A]#

### 8.10.3 GP\_IO\_SEL—GPIO Input/Output Select Register

Offset	GPIOBASE +04h	Attribute:	R/W
Default Value:	0000FFFFh	Size:	32 bits
Lockable:	No	Power Well:	Resume

For the enabled input/output GPIOx signals (enabled via the GPIO\_USE\_SEL register), the bits in this register select between input and output.

Bit	Description
31:29	Reserved (HW=0).
28	<b>GP_IO_SEL.</b> 1 = Input (GPIO[28]). 0 = Output (GPIO[28]).
27	<b>GP_IO_SEL.</b> 1 = Input (GPIO[27]). 0 = Output (GPIO[27]).
21:26	Reserved (HW=0).
20:18	Reserved.
17:16	Reserved (HW=0).
15:14	Reserved.
13:5	Reserved (HW=1).
4:2	Reserved.
1:0	Reserved (HW=1).

### 8.10.4 GP\_LVL—GPIO Level for Input or Output Register

Offset	GPIOBASE +0Ch	Attribute:	R/W
Default Value:	00200000h	Size:	32 bits
Lockable:	No	Power Well:	Resume

Bit	Description
31:29	Reserved. Will always be 0. Writes have no effect.
28:21	<p><b>GP_LVL.</b> Bits 28:21 correspond to GPIO[28:21], respectively.</p> <p><b>GPIO Programmed as Output.</b> If a GPIO is programmed to be an output (via the corresponding IO_SEL bit), then the corresponding GP_LVL bit can be updated by software to drive a high or low value on the output pin.</p> <p>1 = High (corresponding GPIO signal) 0 = Low (corresponding GPIO signal)</p> <p><b>GPIO Programmed as Input.</b> If a GPIO is programmed as an input, and if the corresponding GPI_INV bit is 0, then the corresponding GP_LVL bit reflects the state of the input signal. Writes to GP_LVL bits for GPIO set up as inputs will have no effect.</p> <p>1 = High (corresponding GPIO signal) 0 = Low (corresponding GPIO signal)</p>
20:18	Reserved. Will always be 0. Writes have no effect.
17:16	<b>GP_LVL.</b> Bits 17:16 correspond to GPIO[17:16], respectively. See Bits [28:21] for functional description.
15:0	Reserved. Will always be 0. Writes have no effect.

**NOTES:**

- For GPI[1:0], [13:5], the active status of a GPI is read from the corresponding bit in GPE1\_STS register.
- Bit 21 defaults to 1 to allow GPIO[21] to be connected to the NOGO signal of the 82380AB PCI-TO-ISA Bridge.

### 8.10.5 GPO\_TTL—GPIO TTL Select Register

Offset	GPIOBASE +14h	Attribute:	RO
Default Value:	06630000h	Size:	32 bits
Lockable:	No	Power Well:	Resume

When a bit is set to 1 and the corresponding GP\_IO\_SEL bit is programmed as an output, the output signal is configured as a standard high/low totem-pole driver. The output is driven high when the corresponding GP\_LVL bit is 1 and driven low when the corresponding GP\_LVL bit is 0.

When a bit is 0 and the corresponding GP\_IO\_SEL bit is programmed as an output, the output signal is an open-drain style driver: tri-state when the corresponding GP\_LVL bit is 1 and driven low with the corresponding GP\_LVL bit is 0.

Bit	Description
31:29	Reserved. Always 0.
28:27	Always '0'. These GPIOs are open-drain outputs. Writes have no effect.
26:24	Always '1'. These GPIOs are TTL outputs. Writes have no effect.
23	Always '0'. These GPIOs are open-drain outputs. Writes have no effect.
22:21	Always '1'. These GPIOs are TTL outputs. Writes have no effect.
20:18	Reserved. Always 0.
17:16	Always '1'. These GPIOs are TTL outputs. Writes have no effect.
15:0	Reserved. Always 0.

## 8.10.6 GPO\_BLINK—GPO Blink Enable Register

Offset: GPIOBASE +18h      Attribute: R/W  
 Default Value: 0000h      Size: 32 bits  
 Lockable: No      Power Well: Resume

Bit	Description
31:29	Reserved
28:27	<b>GP_BLINK.</b> Bits 28:27 correspond to GPIO[28:27], respectively. The setting of this bit has no effect if the corresponding GPIO signal is programmed as an input. 0 = The corresponding GPIO signal will function normally. 1 = When 1, and the corresponding GPIO is programmed as an output, the output signal blinks at a rate of approximately once per second. The high and low times are approximately 50%. The value of the corresponding GP_LVL bit remains unchanged during the blink process and does not effect the blink in any way.
26	Reserved
25:21	<b>GP_BLINK.</b> Bits 25:21 correspond to GPIO[25:21], respectively. See bits [28:27] description.
20:18	Reserved
17:16	<b>GP_BLINK.</b> Bits 17:16 correspond to GPIO[17:16], respectively. See bits [28:27] description.
15:0	Reserved

## 8.10.7 GPI\_INV—GPIO Signal Invert Register

Offset: GPIOBASE +2Ch      Attribute: R/W  
 Default Value: 00000000h      Size: 32 bits  
 Lockable: No      Power Well: Resume

Bit	Description
31:29	Reserved.
28:27	<b>Input Inversion. These bits correspond to GPIO[28:27], respectively.</b> The bit only has effect if the corresponding GPIO is used as an input. For inputs, if the Inversion bit is set, the data value in the GP_LVL bit is inverted. This is used to allow active-low and active-high inputs to cause SMI# or SCI.
26:14	Reserved.
13:5	<b>Input Inversion. These bits correspond to GPIO[13:5], respectively.</b> See Bits [28:27] description.
4:2	Reserved.
1:0	<b>Input Inversion. These bits correspond to GPIO[1:0], respectively.</b> See Bits [28:27] description.



# IDE Controller Registers (D31:F1)

# 9

## 9.1 PCI Configuration Registers (IDE—D31:F1)

**Note:** All of the IDE registers are in the Core well. None can be locked.

**Table 9-1. PCI Configuration Map (IDE-D31:F1)**

Offset	Mnemonic	Register Name/Function	Default	Type
00h–01h	VID	Vendor ID	8086h	RO
02h–03h	DID	Device ID	2411h (ICH: 82801AA) 2421h (ICH0: 82801AB)	RO
04h–05h	CMD	Command Register	00h	R/W
06h–07h	STS	Device Status	0280h	R/W
08h	RID	Revision ID	Note 1	RO
09h	PI	Programming Interface	80h	RO
0Ah	SCC	Sub Class Code	01h	RO
0Bh	BCC	Base Class Code	01h	RO
0Dh	MLT	Master Latency Timer	00	RO
0Eh	HTYPE	Header Type	00h	RO
20h–23h	BAR	Base Address Register	00000001h	R/W
2Ch–2Dh	SVID	Subsystem Vendor ID	8086h	RO
2Eh–2Fh	SID	Subsystem ID	2411h (ICH: 82801AA) 2421h (ICH0: 82801AB)	RO
40h–43h	IDETIMP	Primary IDE Timing	0000h	R/W
44h	SIDETIM	Slave IDE Timing	00h	R/W
48h	SDMAC	Synchronous DMA Control Register	00h	R/W
4Ah–4Bh	SDMATIM	Synchronous DMA Timing Register	0000h	R/W
54h	IDE_CONFIG	IDE I/O Configuration Register	00h	R/W

**NOTES:**

1. Refer to ICH Specification Updates for the value of the Revision ID.
2. Addresses that are not listed in the above table are reserved and read only.
3. The ICH IDE controller is not arbitrated as a PCI device; therefore, it does not need a master latency timer.

### 9.1.1 VID—Vendor ID Register (IDE—D31:F1)

Offset Address: 00–01h                      Attribute: RO  
 Default Value: 8086h                      Size: 16 bits

Bit	Description
15:0	<b>Vendor ID Value.</b> This is a 16 bit value assigned to Intel. Intel VID = 8086h

### 9.1.2 DID—Device ID Register (IDE—D31:F1)

Offset Address: 02–03h                      Attribute: RO  
 Default Value: 2411h (ICH: 82801AA)  
 2421h (ICH0: 82901AB)                      Size: 16 bits

Bit	Description
15:0	<b>Device ID Value.</b> This is a 16 bit value assigned to the ICH IDE Bridge.

### 9.1.3 CMD—Command Register (IDE—D31:F1)

Address Offset: 04h–05h                      Attribute: R/W  
 Default Value: 00h                      Size: 16 bits

Bit	Description
15:10	Reserved.
9	Fast Back to Back Enable (FBE)—RO. Reserved as '0'.
8	SERR# Enable—RO: Reserved as '0'.
7	Wait Cycle Control—RO: Reserved as '0'.
6	Parity Error Response—RO: Reserved as '0'.
5	VGA Palette Snoop—RO: Reserved as '0'.
4	Postable Memory Write Enable (PMWE)—RO: Reserved as '0'.
3	Special Cycle Enable (SCE)—RO: Reserved as '0'.
2	<b>Bus Master Enable (BME)</b> —R/W. Controls the ICH's ability to act as a PCI master for IDE Bus Master transfers. 1 = Enable 0 = Disable
1	Memory Space Enable (MSE)—RO: Reserved as '0'.
0	<b>I/O Space Enable (IOSE).</b> This bit controls access to the I/O space registers. 1 = Enable. Access to the Legacy IDE ports (both Primary and Secondary) and the Bus Master IO registers is enabled. The Base Address register for the Bus Master registers should be programmed before this bit is set. 0 = Disable.  <b>NOTE:</b> Separate bits are provided to independently disable the Primary or Secondary I/O spaces if implemented externally.

## 9.1.4 STA—Device Status Register (IDE—D31:F1)

Address Offset: 06–07h Attribute: R/W  
 Default Value: 0280h Size: 16 bits

Bit	Description
15	Detected Parity Error (DPE)—RO: Reserved as '0'.
14	Signaled System Error (SSE)—RO: Reserved as '0'.
13	<b>Received Master-Abort Status (RMA)</b> —R/W. 1 = Bus Master IDE interface function, as a master, generates a master-abort. 0 = Cleared by writing a 1 to it.
12	Reserved as '0'. Read Only.
11	<b>Signaled Target-Abort Status (STA)</b> —R/W. 1 = ICH IDE interface function is targeted with a transaction that the ICH terminates with a target abort. 0 = Cleared by writing a 1 to it.
10:9	<b>DEVSEL# Timing Status (DEVT)</b> —RO. 01 = Hardwired; however, the ICH does not have a real DEVSEL# signal associated with the IDE unit, so these bits have no effect.
8	Reserved. Read as 0. Read Only
7	Reserved. Read as 1. Read Only
6	Reserved. Read as 0. Read Only
5	Reserved. Read as 0. Read Only
4:0	Reserved

## 9.1.5 RID—Revision ID Register (IDE—D31:F1)

Offset Address: 08h Attribute: RO  
 Default Value: See ICH Spec. Updates Size: 8 bits

Bit	Description
7:0	<b>Revision Identification Number.</b> 8-bit value that indicates the revision number for the ICH IDE Controller. Refer to ICH Specification Updates for this value.

## 9.1.6 PI—Programming Interface (IDE—D31:F1)

Address Offset: 09h Attribute: RO  
 Default Value: 80h Size: 8 bits

Bit	Description
7:0	<b>Programming Interface Value.</b> 80h = The 1b in bit 7 indicates that this IDE controller is capable of bus master operation.



### 9.1.11 **BM\_BASE—Bus Master Base Address Register (IDE—D31:F1)**

Address Offset:	20h–23h	Attribute:	R/W
Default Value:	00000001h	Size:	32 bits

The Bus Master IDE interface function uses Base Address register 5 to request a 16 byte IO space to provide a software interface to the Bus Master functions. Only 12 bytes are actually used (6 bytes for primary, 6 bytes for secondary). Only bits [15:4] are used to decode the address.

Bit	Description
31:16	Reserved.
15:4	<b>Base Address.</b> Base address of the I/O space (16 consecutive I/O locations).
3:1	Reserved.
0	<b>Resource Type Indicator (RTE).</b> This bit is set to one, indicating a request for IO space. Read Only

### 9.1.12 **SVID—Subsystem Vendor ID Register (IDE—D31:F1)**

Address Offset:	2Dh–2Ch	Attribute:	RO
Default Value:	8086h	Size:	16 bits
Lockable:	No	Power Well:	Core

This register allows PCI plug-and-play software to find a non-zero value for the Subsystem Vendor ID fields.

Bit	Description
15:0	<b>Subsystem Vendor ID Value.</b> Hardwired to 8086h

### 9.1.13 **SID—Subsystem ID Register (IDE—D31:F1)**

Address Offset:	2Fh–2Eh	Attribute:	RO
Lockable:	No	Size:	16 bits
		Power Well:	Core

Default Value:	2411h (ICH: 82801AA)
	2421h (ICH0: 82901AB)

This register allows PCI plug-and-play software to find a non-zero value for the Subsystem ID fields.

Bit	Description
15:0	<b>Subsystem ID Value.</b>

### 9.1.14 IDE\_TIM—IDE Timing Register (IDE—D31:F1)

Address Offsets:	Primary: 40–41h	Attribute:	R/W
	Secondary: 42–43h		
Default Value:	0000h	Size:	16 bits

This register controls the timings driven on the IDE cable for PIO and 8237 style DMA transfers. The register also controls operation of the buffer for PIO transfers.

Bit	Description
15	<p><b>IDE Decode Enable (IDE).</b> 1 = Enables the ICH to decode the Command Blocks (1F0–1F7h for primary, 170–177h for secondary) and Control Block (3F6h for primary and 376h for secondary).</p> <p><b>NOTE:</b> Separate configuration bits are provided to individually disable the Primary or Secondary decode (even if the IDE Decode Enable is set).</p>
14	<p><b>Drive 1 Timing Register Enable (SITRE).</b> 0 = Use bits 13:12, 9:8 for both drive 0 and drive 1 1 = Use bits 13:12, 9:8 for drive 0, and use the Slave IDE Timing register for drive 1</p>
13:12	<p><b>IORDY Sample Point (ISP).</b> The setting of these bits determine the number of PCI clocks between IDE IOR#/IOW# assertion and the first IORDY sample point.</p> <p>00 = 5 clocks 01 = 4 clocks 10 = 3 clocks 11 = Reserved</p>
11:10	Reserved.
9:8	<p><b>Recovery Time (RCT).</b> The setting of these bits determines the minimum number of PCI clocks between the last IORDY sample point and the IOR#/IOW# strobe of the next cycle.</p> <p>00 = 4 clocks 01 = 3 clocks 10 = 2 clocks 11 = 1 clock</p>
7	<p><b>Drive 1 DMA Timing Enable (DTE1).</b> 1 = Enable the fast timing mode for DMA transfers only for this drive. PIO transfers to the IDE data port will run in compatible timing. 0 = Disable</p>
6	<p><b>Drive 1 Prefetch/Posting Enable (PPE1).</b> 1 = Enable Prefetch and posting to the IDE data port for this drive. 0 = Disable</p>
5	<p><b>Drive 1 IORDY Sample Point Enable (IE1).</b> 1 = Enable IORDY sampling for this drive. 0 = Disable IORDY sampling for this drive.</p>
4	<p><b>Drive 1 Fast Timing Bank (TIME1).</b> 0 = Accesses to the data port will use compatible timings for this drive. 1 = When set and bit 14 cleared, accesses to the data port will use bits 13:12 for the IORDY sample point, and bits 9:8 for the recovery time. When set and bit 14 set, accesses to the data port use the IORDY sample point and recover time specified in the slave IDE timing register.</p>
3	<p><b>Drive 0 DMA Timing Enable (DTE0).</b> 1 = Enable fast timing mode for DMA transfers only for this drive. PIO transfers to the IDE data port run in compatible timing. 0 = Disable</p>

Bit	Description
2	<b>Drive 0 Prefetch/Posting Enable (PPE0).</b> 1 = Enable prefetch and posting to the IDE data port for this drive. 0 = Disable
1	<b>Drive 0 IORDY Sample Point Enable (IE0).</b> 1 = Enable IORDY sampling for this drive. 0 = Disable IORDY sampling is disabled for this drive.
0	<b>Drive 0 Fast Timing Bank (TIME0).</b> 0 = Accesses to the data port use compatible timings for this drive. 1 = Accesses to the data port use bits 13:12 for the IORDY sample point, and bits 9:8 for the recovery time

### 9.1.15 SLV\_IDETIM—Slave (Drive 1) IDE Timing Register (IDE—D31:F1)

Address Offset: 44h                      Attribute: R/W  
 Default Value: 00h                      Size: 8 bits

Bit	Description
7:6	<b>Secondary Drive 1 IORDY Sample Point (SISP1).</b> The setting of these bits determines the number of PCI clocks between IDE IOR#/IOW# assertion and the first IORDY sample point, if the access is to drive 1 data port and bit 14 of the IDE timing register for secondary is set. 00 = 5 clocks 01 = 4 clocks 10 = 3 clocks 11 = Reserved
5:4	<b>Secondary Drive 1 Recovery Time (SRCT1).</b> The setting of these bits determines the minimum number of PCI clocks between the last IORDY sample point and the IOR#/IOW# strobe of the next cycle, if the access is to drive 1 data port and bit 14 of the IDE timing register for secondary is set. 00 = 4 clocks 01 = 3 clocks 10 = 2 clocks 11 = 1 clocks
3:2	<b>Primary Drive 1 IORDY Sample Point (PISP1).</b> The setting of these bits determines the number of PCI clocks between IOR#/IOW# assertion and the first IORDY sample point, if the access is to drive 1 data port and bit 14 of the IDE timing register for primary is set. 00 = 5 clocks 01 = 4 clocks 10 = 3 clocks 11 = Reserved
1:0	<b>Primary Drive 1 Recovery Time (PRCT1).</b> The setting of these bits determines the minimum number of PCI clocks between the last IORDY sample point and the IOR#/IOW# strobe of the next cycle, if the access is to drive 1 data port and bit 14 of the IDE timing register for primary is set. 00 = 4 clocks 01 = 3 clocks 10 = 2 clocks 11 = 1 clocks

### 9.1.16 SDMA\_CNT—Synchronous DMA Control Register (IDE—D31:F1)

Address Offset: 48h  
Default Value: 00h

Attribute: R/W  
Size: 8 bits

Bit	Description
7:4	Reserved.
3	<b>Secondary Drive 1 Synchronous DMA Mode Enable (SSDE1).</b> 1 = Enable Synchronous DMA mode for secondary channel drive 1 0 = Disable (default)
2	<b>Secondary Drive 0 Synchronous DMA Mode Enable (SSDE0).</b> 1 = Enable Synchronous DMA mode for secondary drive 0 0 = Disable (default).
1	<b>Primary Drive 1 Synchronous DMA Mode Enable (PSDE1).</b> 1 = Enable Synchronous DMA mode for primary channel drive 1 0 = Disable (default)
0	<b>Primary Drive 0 Synchronous DMA Mode Enable (PSDE0).</b> 1 = Enable Synchronous DMA mode for primary channel drive 0 0 = Disable (default)



## 9.1.17 SDMA\_TIM—Synchronous DMA Timing Register (IDE—D31:F1)

Address Offset: 4A–4Bh  
 Default Value: 0000h

Attribute: R/W  
 Size: 16 bits

Bit	Description		
15:14	Reserved.		
13:12	<p><b>Secondary Drive 1 Cycle Time (SCT1).</b> For Sync DMA mode. The setting of these bits determines the minimum write strobe cycle time (CT). The DMARDY#-to-STOP (RP) time is also determined by the setting of these bits.</p> <table border="0"> <tr> <td> <p><b>SCB1 = 0 (33 MHz clock)</b></p> <p>00 = CT 4 clocks, RP 6 clocks                      01 = CT 3 clocks, RP 5 clocks                      10 = CT 2 clocks, RP 4 clocks                      11 = Reserved</p> </td> <td> <p><b>SCB1 = 1 (66 MHz clock) (ICH 82801AA only)</b></p> <p>00 = Reserved                      01 = CT 3 clocks, RP 8 clocks                      10 = CT 2 clocks, RP 8 clocks                      11 = Reserved</p> </td> </tr> </table>	<p><b>SCB1 = 0 (33 MHz clock)</b></p> <p>00 = CT 4 clocks, RP 6 clocks                      01 = CT 3 clocks, RP 5 clocks                      10 = CT 2 clocks, RP 4 clocks                      11 = Reserved</p>	<p><b>SCB1 = 1 (66 MHz clock) (ICH 82801AA only)</b></p> <p>00 = Reserved                      01 = CT 3 clocks, RP 8 clocks                      10 = CT 2 clocks, RP 8 clocks                      11 = Reserved</p>
<p><b>SCB1 = 0 (33 MHz clock)</b></p> <p>00 = CT 4 clocks, RP 6 clocks                      01 = CT 3 clocks, RP 5 clocks                      10 = CT 2 clocks, RP 4 clocks                      11 = Reserved</p>	<p><b>SCB1 = 1 (66 MHz clock) (ICH 82801AA only)</b></p> <p>00 = Reserved                      01 = CT 3 clocks, RP 8 clocks                      10 = CT 2 clocks, RP 8 clocks                      11 = Reserved</p>		
11:10	Reserved.		
9:8	<p><b>Secondary Drive 0 Cycle Time (SCT0).</b> For Sync DMA mode. The setting of these bits determines the minimum write strobe cycle time (CT). The DMARDY#-to-STOP (RP) time is also determined by the setting of these bits.</p> <table border="0"> <tr> <td> <p><b>SCB0 = 0 (33 MHz clock)</b></p> <p>00 = CT 4 clocks, RP 6 clocks                      01 = CT 3 clocks, RP 5 clocks                      10 = CT 2 clocks, RP 4 clocks                      11 = Reserved</p> </td> <td> <p><b>SCB0 = 1 (66 MHz clock) (ICH 82801AA only)</b></p> <p>00 = Reserved                      01 = CT 3 clocks, RP 8 clocks                      10 = CT 2 clocks, RP 8 clocks                      11 = Reserved</p> </td> </tr> </table>	<p><b>SCB0 = 0 (33 MHz clock)</b></p> <p>00 = CT 4 clocks, RP 6 clocks                      01 = CT 3 clocks, RP 5 clocks                      10 = CT 2 clocks, RP 4 clocks                      11 = Reserved</p>	<p><b>SCB0 = 1 (66 MHz clock) (ICH 82801AA only)</b></p> <p>00 = Reserved                      01 = CT 3 clocks, RP 8 clocks                      10 = CT 2 clocks, RP 8 clocks                      11 = Reserved</p>
<p><b>SCB0 = 0 (33 MHz clock)</b></p> <p>00 = CT 4 clocks, RP 6 clocks                      01 = CT 3 clocks, RP 5 clocks                      10 = CT 2 clocks, RP 4 clocks                      11 = Reserved</p>	<p><b>SCB0 = 1 (66 MHz clock) (ICH 82801AA only)</b></p> <p>00 = Reserved                      01 = CT 3 clocks, RP 8 clocks                      10 = CT 2 clocks, RP 8 clocks                      11 = Reserved</p>		
7:6	Reserved.		
5:4	<p><b>Primary Drive 1 Cycle Time (PCT1).</b> For Sync DMA mode, the setting of these bits determines the minimum write strobe cycle time(CT). The DMARDY#-to-STOP (RP) time is also determined by the setting of these bits.</p> <table border="0"> <tr> <td> <p><b>PCB1 = 0 (33 MHz clock)</b></p> <p>00 = CT 4 clocks, RP 6 clocks                      01 = CT 3 clocks, RP 5 clocks                      10 = CT 2 clocks, RP 4 clocks                      11 = Reserved</p> </td> <td> <p><b>PCB1 = 1 (66 MHz clock) (ICH 82801AA only)</b></p> <p>00 = Reserved                      01 = CT 3 clocks, RP 8 clocks                      10 = CT 2 clocks, RP 8 clocks                      11 = Reserved</p> </td> </tr> </table>	<p><b>PCB1 = 0 (33 MHz clock)</b></p> <p>00 = CT 4 clocks, RP 6 clocks                      01 = CT 3 clocks, RP 5 clocks                      10 = CT 2 clocks, RP 4 clocks                      11 = Reserved</p>	<p><b>PCB1 = 1 (66 MHz clock) (ICH 82801AA only)</b></p> <p>00 = Reserved                      01 = CT 3 clocks, RP 8 clocks                      10 = CT 2 clocks, RP 8 clocks                      11 = Reserved</p>
<p><b>PCB1 = 0 (33 MHz clock)</b></p> <p>00 = CT 4 clocks, RP 6 clocks                      01 = CT 3 clocks, RP 5 clocks                      10 = CT 2 clocks, RP 4 clocks                      11 = Reserved</p>	<p><b>PCB1 = 1 (66 MHz clock) (ICH 82801AA only)</b></p> <p>00 = Reserved                      01 = CT 3 clocks, RP 8 clocks                      10 = CT 2 clocks, RP 8 clocks                      11 = Reserved</p>		
3:2	Reserved.		
1:0	<p><b>Primary Drive 0 Cycle Time (PCT0).</b> For Sync DMA mode, the setting of these bits determines the minimum write strobe cycle time (CT). The DMARDY#-to-STOP (RP) time is also determined by the setting of these bits.</p> <table border="0"> <tr> <td> <p><b>PCB0 = 0 (33 MHz clock)</b></p> <p>00 = CT 4 clocks, RP 6 clocks                      01 = CT 3 clocks, RP 5 clocks                      10 = CT 2 clocks, RP 4 clocks                      11 = Reserved</p> </td> <td> <p><b>PCB0 = 1 (66 MHz clock) (ICH 82801AA only)</b></p> <p>00 = Reserved                      01 = CT 3 clocks, RP 8 clocks                      10 = CT 2 clocks, RP 8 clocks                      11 = Reserved</p> </td> </tr> </table>	<p><b>PCB0 = 0 (33 MHz clock)</b></p> <p>00 = CT 4 clocks, RP 6 clocks                      01 = CT 3 clocks, RP 5 clocks                      10 = CT 2 clocks, RP 4 clocks                      11 = Reserved</p>	<p><b>PCB0 = 1 (66 MHz clock) (ICH 82801AA only)</b></p> <p>00 = Reserved                      01 = CT 3 clocks, RP 8 clocks                      10 = CT 2 clocks, RP 8 clocks                      11 = Reserved</p>
<p><b>PCB0 = 0 (33 MHz clock)</b></p> <p>00 = CT 4 clocks, RP 6 clocks                      01 = CT 3 clocks, RP 5 clocks                      10 = CT 2 clocks, RP 4 clocks                      11 = Reserved</p>	<p><b>PCB0 = 1 (66 MHz clock) (ICH 82801AA only)</b></p> <p>00 = Reserved                      01 = CT 3 clocks, RP 8 clocks                      10 = CT 2 clocks, RP 8 clocks                      11 = Reserved</p>		

## 9.1.18 IDE\_CONFIG—IDE I/O Configuration Register

Address Offset: 54h  
Default Value: 00h

Attribute: Read/Write  
Size: MAN\_16 bits

Bit	Description
15:11	Reserved.
10	<b>WR_PingPong_EN.</b> 1 = Enables the write buffer to be used in a split (ping/pong) manner. 0 = Disabled.
9:8	Reserved.
7	<b>ICH (82801AA):</b> <b>Secondary Slave Channel Cable Reporting.</b> This is a read/write bit used by BIOS to tell the IDE driver which cable is plugged into the channel. BIOS should write a "1" to this location if it detects that 80 conductor cable is present. BIOS should write a "0" to this location if it detects that a 40 conductor cable is present. Note that the OEM should design in the ability to detect the primary cable through a GPI. <b>ICH0 (82801AB):</b> Reserved.
6	<b>ICH (82801AA):</b> <b>Secondary Master Channel Cable Reporting.</b> Same description as bit 7. <b>ICH0 (82801AB):</b> Reserved.
5	<b>ICH (82801AA):</b> <b>Primary Slave Channel Cable Reporting.</b> Same description as bit 7. <b>ICH0 (82801AB):</b> Reserved.
4	<b>ICH (82801AA):</b> <b>Primary Master Channel Cable Reporting.</b> Same description as bit 7. <b>ICH0 (82801AB):</b> Reserved.
3	<b>ICH (82801AA):</b> <b>SCB1: Secondary Drive 1 Base Clock</b> 1 = 66 MHz base clock for UDMA timings 0 = 33 MHz base clock for UDMA timings <b>ICH0 (82801AB):</b> Reserved. Always '0'. Writes have no effect.
2	<b>ICH (82801AA):</b> <b>SCBO: Secondary Drive 0 Base Clock</b> 1 = 66 MHz base clock for UDMA timings 0 = 33 MHz base clock for UDMA timings <b>ICH0 (82801AB):</b> Reserved. Always '0'. Writes have no effect.
1	<b>ICH (82801AA):</b> <b>PCB1: Primary Drive 1 Base Clock</b> 1 = 66 MHz base clock for UDMA timings 0 = 33 MHz base clock for UDMA timings <b>ICH0 (82801AB):</b> Reserved. Always '0'. Writes have no effect.

Bit	Description
0	<b>ICH (82801AA):</b> <b>PCB0: Primary Drive 0 Base Clock</b> 1 = 66 MHz base clock for UDMA timings 0 = 33 MHz base clock for UDMA timings <b>ICH0 (82801AB):</b> Reserved. Always '0'. Writes have no effect.

## 9.2 Bus Master IDE I/O Registers (D31:F1)

The bus master IDE function uses 16 bytes of I/O space, allocated via the BMIBA register, located in Device 31:Function 1 Configuration space, offset 20h. All bus master IDE I/O space registers can be accessed as byte, word, or dWord quantities. Reading reserved bits returns an indeterminate, inconsistent value, and writes to reserved bits have no affect (but should not be attempted). The description of the I/O registers is shown below in [Table 9-2](#).

**Table 9-2. Bus Master IDE I/O Registers**

Offset	Mnemonic	Register	Default	Type
00	BMICP	Command Register Primary	00h	R/W
01		Reserved	00h	RO
02	BMISP	Status Register Primary	00h	R/WC
03		Reserved	00h	RO
04–07	BMIDP	Descriptor Table Pointer Primary	xxxxxxxxh	R/W
08	BMICS	Command Register Secondary	00h	R/W
09		Reserved	00h	RO
0A	BMISS	Status Register Secondary	00h	R/WC
0B		Reserved	00h	RO
0C–0F	BMIDS	Descriptor Table Pointer Secondary	xxxxxxxxh	R/W

## 9.2.1 BMIC[P,S]—Bus Master IDE Command Register

Address Offsets: Primary: 00h                      Attribute:                      R/W  
Secondary: 08h  
Default Value: 00h                      Size:                      8 bits

Bit	Description
7:4	Reserved. Must return 0 on reads.
3	<b>Read / Write Control (RWC).</b> This bit sets the direction of the bus master transfer: This bit must NOT be changed when the bus master function is active. 0 = memory reads 1 = memory writes
2:1	Reserved. Must return 0 on reads.
0	<b>Start/Stop Bus Master (START).</b> 1 = Enables bus master operation of the controller. Bus master operation begins when this bit is detected changing from a zero to a one. The controller will transfer data between the IDE device and memory only when this bit is set. Master operation can be halted by writing a '0' to this bit. 0 = All state information is lost when this bit is cleared. Master mode operation cannot be stopped and then resumed. If this bit is reset while bus master operation is still active (i.e., the Bus Master IDE Active bit of the Bus Master IDE Status register for that IDE channel is set) and the drive has not yet finished its data transfer (the Interrupt bit in the Bus Master IDE Status register for that IDE channel is not set), the bus master command is said to be aborted and data transferred from the drive may be discarded instead of being written to system memory. This bit is intended to be reset after the data transfer is completed, as indicated by either the Bus Master IDE Active bit or the Interrupt bit of the Bus Master IDE Status register for that IDE channel being set, or both.





# USB Controller Registers (D31:F2) 10

## 10.1 PCI Configuration Registers (D31:F2)

Table 10-1. PCI Configuration Map (USB—D31:F2)

Offset	Mnemonic	Register Name/Function	Function 2 Default	Type
00–01h	VID	Vendor ID	8086h	RO
02–03h	DID	Device ID	2412h (ICH: 82801AA) 2422h (ICH0: 82801AB)	RO
04–05h	CMD	Command Register	0000h	R/W
06–07h	STA	Device Status	0280h	R/W
08h	RID	Revision ID	Note 1	RO
09h	PI	Programming Interface	00h	RO
0Ah	SCC	Sub Class Code	03h	RO
0Bh	BCC	Base Class Code	0Ch	RO
0Eh	HTYPE	Header Type	00h	RO
20–23h	Base	Base Address Register	00000001h	R/W
2Ch–2Dh	SVID	Subsystem Vendor ID	8086h	RO
2Eh–2Fh	SID	Subsystem ID	2412h (ICH: 82801AA) 2422h (ICH0: 82801AB)	RO
3Ch	INTR_LN	Interrupt Line	00h	R/W
3Dh	INTR_PN	Interrupt Pin	04h	RO
60h	SB_RELNUM	Serial Bus Release Number	10h	RO
C0–C1h	USB_LEGKEY	USB Legacy Keyboard/Mouse Control	2000h	R/W
C4h	USB_RES	USB Resume Enable	00h	R/W

**NOTES:**

1. Refer to *ICH Specification Updates* for the value of the Revision ID.
2. Addresses that are not listed in the above table are reserved and read only.

### 10.1.1 VID—Vendor Identification Register (USB—D31:F2)

Address Offset: 00–01h                      Attribute: RO  
 Default Value: 8086h                      Size: 16 bits

Bit	Description
15:0	<b>Vendor ID Value.</b> This is a 16-bit value assigned to Intel

### 10.1.2 DID—Device Identification Register (USB—D31:F2)

Address Offset: 02–03h                      Attribute: RO  
 Default Value: 2412h (ICH: 82801AA)      Size: 16 bits  
 2422h (ICH0: 82901AB)

Bit	Description
15:0	<b>Device ID Value.</b> This is a 16-bit value assigned to the ICH USB Host Controller

### 10.1.3 CMD—Command Register (USB—D31:F2)

Address Offset: 04–05h                      Attribute: R/W  
 Default Value: 0000h                      Size: 16 bits

Bit	Description
15:10	Reserved.
9	Fast Back to Back Enable (FBE)—RO: Reserved as '0'.
8	SERR# Enable—RO: Reserved as '0'.
7	Wait Cycle Control—RO: Reserved as '0'.
6	Parity Error Response—RO: Reserved as '0'.
5	VGA Palette Snoop—RO: Reserved as '0'.
4	Postable Memory Write Enable (PMWE)—RO: Reserved as '0'.
3	Special Cycle Enable (SCE)—RO: Reserved as '0'.
2	Bus Master Enable (BME)—R/W. When set, the ICH can act as a master on the PCI bus for USB transfers. 1 = Enable 0 = Disable
1	Memory Space Enable (MSE)—RO: Reserved as '0'. Read Only.
0	<b>I/O Space Enable (IOSE)</b> —R/W. This bit controls access to the I/O space registers. 1 = Enable accesses to the USB I/O registers. The Base Address register for USB should be programmed before this bit is set. 0 = Disable



### 10.1.4 STA—Device Status Register (USB—D31:F2)

Address Offset: 06–07h                      Attribute: R/W  
 Default Value: 0280h                      Size: 16 bits

Bit	Description
15	Reserved as '0'. Read Only.
14	Reserved as '0'. Read Only.
13	<b>Received Master-Abort Status (RMA)—R/WC.</b> 1 = USB, as a master, generated a master-abort. 0 = Software sets RMA to 0 by writing a 1 to this bit location.
12	Reserved. Always read as '0'.
11	<b>Signaled Target-Abort Status (STA)—R/WC.</b> 1 = USB function is targeted with a transaction that the ICH terminates with a target abort. 0 = Software resets STA to 0 by writing a 1 to this bit location.
10:9	<b>DEVSEL# Timing Status (DEVT)—RO.</b> This 2-bit field defines the timing for DEVSEL# assertion. These read only bits indicate the ICH's DEVSEL# timing when performing a positive decode. The ICH generates DEVSEL# with medium timing for USB.
8	Data Parity Error Detected—RO: Reserved as '0'.
7	Fast Back-to-Back Capable—RO: Reserved as '1'
6	User Definable Features (UDF)—RO: Reserved as '0'.
5	66 MHz Capable—RO: Reserved as '0'.
4:0	Reserved.

### 10.1.5 RID—Revision Identification Register (USB—D31:F2)

Address Offset: 08h                              Attribute: RO  
 Default Value: See ICH Spec. Updates      Size: 8 bits

Bit	Description
7:0	These bits contain device stepping information and are hardwired to the default value. Refer to the <i>ICH Specification Updates</i> for this value.

### 10.1.6 PI—Programming Interface (USB—D31:F2)

Address Offset: 09h                              Attribute: RO  
 Default Value: 00h                              Size: 8 bits

Bit	Description
7:0	Programming Interface. 00h = No specific register level programming interface defined.



### 10.1.11 SVID—Subsystem Vendor ID Register (USB—D31:F2)

Address Offset:	2Dh–2Ch	Attribute:	RO
Default Value:	8086h	Size:	16 bits
Lockable:	No	Power Well:	Core

This register allows PCI plug-and-play software to find a non-zero value for the Subsystem Vendor ID field.

Bit	Description
15:0	<b>Subsystem Vendor ID Value.</b> Hardwired to 8086h

### 10.1.12 SID—Subsystem ID Register (USB—D31:F2)

Address Offset:	2Fh–2Eh	Attribute:	RO
Lockable:	No	Size:	16 bits
		Power Well:	Core

Default Value: 2411h (ICH: 82801AA)  
2421h (ICH0: 82901AB)

This register allows PCI plug-and-play software to find a non-zero value for the Subsystem ID field.

Bit	Description
15:0	<b>Subsystem ID Value.</b> See default value above.

### 10.1.13 INTR\_LN—Interrupt Line Register (USB—D31:F2)

Address Offset:	3Ch	Attribute:	R/W
Default Value:	00h	Size:	8 bits

Bit	Description
7:0	<b>Interrupt Line.</b> This data is not used by the ICH. It is to communicate to software the interrupt line that the interrupt pin is connected to.

### 10.1.14 INTR\_PN—Interrupt Pin Register (USB—D31:F2)

Address Offset:	3Dh	Attribute:	RO
Default Value:	04h	Size:	8 bits

Bit	Description
7:3	Reserved.
2:0	<b>Interrupt pin.</b> The value of 04h indicates that the ICH will drive PIRQD# as its interrupt line for ports 0 and 1.

### 10.1.15 SB\_RELNUM—Serial Bus Release Number Register (USB—D31:F2)

Address Offset: 60h Attribute: RO  
 Default Value: 10h Size: 8 bits

Bit	Description
7:0	<b>Serial Bus Release Number.</b> 10h = Indicates that the USB controller is compliant with the <i>USB specification release 1.0</i> .

### 10.1.16 USB\_LEGKEY—USB Legacy Keyboard/Mouse Control Register (USB—D31:F2)

Address Offset: C0–C1 Attribute: R/W  
 Default Value: 2000h Size: 16 bits

Bit	Description
15	<b>SMI Caused by End of Pass-through (SMIBYENDPS).</b> Indicates if the event occurred. Note that even if the corresponding enable bit is not set in the Bit 0, then this bit will still be active. It is up to the SMM code to use the enable bit to determine the exact cause of the SMI#. 1 = Event Occurred 0 = Cleared by writing a 1 to it.
14	Reserved.
13	<b>PCI Interrupt Enable (USBPIRQEN).</b> Used to prevent the USB controller from generating an interrupt due to transactions on its ports. Note that it will probably be configured to generate an SMI using bit 4 of this register. Default to 1 for compatibility with older USB software. 1 = Enable 0 = Disable
12	<b>SMI Caused by USB Interrupt (SMIBYUSB).</b> Indicates if the event occurred. Note that even if the corresponding enable bit is not set in the Bit 4, then this bit will still be active. It is up to the SMM code to use the enable bit to determine the exact cause of the SMI#. 1 = Event Occurred 0 = Software should clear the IRQ via the USB controller. Writing a 1 to this bit will have no effect.
11	<b>SMI Caused by Port 64 Write (TRAPBY64W).</b> Indicates if the event occurred. Note that even if the corresponding enable bit is not set in the Bit 3, then this bit will still be active. It is up to the SMM code to use the enable bit to determine the exact cause of the SMI#. 1 = Event Occurred 0 = Cleared by writing a 1 to it.
10	<b>SMI Caused by Port 64 Read (TRAPBY64R).</b> Indicates if the event occurred. Note that even if the corresponding enable bit is not set in the Bit 2, then this bit will still be active. It is up to the SMM code to use the enable bit to determine the exact cause of the SMI#. 1 = Event Occurred 0 = Cleared by writing a 1 to it.
9	<b>SMI Caused by Port 60 Write (TRAPBY60W).</b> Indicates if the event occurred. Note that even if the corresponding enable bit is not set in the Bit 1, then this bit will still be active. It is up to the SMM code to use the enable bit to determine the exact cause of the SMI#. 1 = Event Occurred 0 = Cleared by writing a 1 to it.

Bit	Description
8	<b>SMI Caused by Port 60 Read (TRAPBY60R).</b> Indicates if the event occurred. Note that even if the corresponding enable bit is not set in the Bit 0, then this bit will still be active. It is up to the SMM code to use the enable bit to determine the exact cause of the SMI#. 1 = Event Occurred 0 = Cleared by writing a 1 to it.
7	<b>SMI at End of Pass-through Enable (SMIATENDPS).</b> May need to cause SMI at the end of a pass-through. Can occur if an SMI is generated in the middle of a pass through, and needs to be serviced later.
6	<b>Pass Through State (PSTATE).</b> 1 = Indicates that the state machine is in the middle of an A20GATE pass-through sequence. 0 = If software needs to reset this bit, it should set Bit 5 to 0.
5	<b>A20Gate Pass-Through Enable (A20PASSEN).</b> 1 = Enable. Allows A20GATE sequence Pass-Through function (see details below). SMI# is not generated, even if the various enable bits are set. 0 = Disable.
4	<b>SMI on USB IRQ (USBSMIEN).</b> 1 = USB interrupt cause an SMI event.
3	<b>SMI on Port 64 Writes Enable (64WEN).</b> 1 = Write to port 64h cause an SMI event.
2	<b>SMI on Port 64 Reads Enable (64REN).</b> 1 = Read to port 64h cause an SMI event.
1	<b>SMI on Port 60 Writes Enable (60WEN).</b> 1 = Write to port 60h cause an SMI event.
0	<b>SMI on Port 60 Reads Enable (60REN).</b> 1 = Read to port 60h cause an SMI event.

### 10.1.17 USB\_RES—USB Resume Enable Register (USB—D31:F2)

Address Offset: C4h                      Attribute: R/W  
 Default Value: 00h                      Size: 8 bits

Bit	Description
7:2	Reserved.
1	<b>PORT1EN.</b> Enable port 1 of the USB controller to look at wakeup events. 1 = The USB controller monitors port 1 for remote wakeup and connect/disconnect events. 0 = The USB controller will not look at this port for a wakeup event.
0	<b>PORT0EN.</b> Enable port 0 of the USB controller to look at wakeup events. 1 = the USB controller monitors port 0 for remote wakeup and connect/disconnect events. 0 = The USB controller does not look at this port for a wakeup event.

## 10.2 USB I/O Registers

Some of the read/write register bits which deal with changing the state of the USB hub ports function such that on read back they reflect the current state of the port and not necessarily the state of the last write to the register. This allows the software to poll the state of the port and wait until it is in the proper state before proceeding. A Host Controller Reset, Global Reset, or Port Reset immediately terminates a transfer on the affected ports and disables the port. This affects the USBCMD register, bit [4] and the PORTSC registers, bits [12,6,2]. See individual bit descriptions for more detail.

**Table 10-2. USB I/O Registers**

Offset	Mnemonic	Register	Default	Type
00h–01h	USBCMD	USB Command Register	0000h	R/W
02h–03h	USBSTS	USB Status Register	0000h	R/WC
04h–05h	USBINTR	USB Interrupt Enable	0000h	R/W
06h–07h	FRNUM	USB Frame Number	0000h	R/W*
08h–0Bh	FRBASEADD	USB Frame List Base Address	Undefined	R/W
0Ch	SOFMOD	USB Start of Frame Modify	40h	R/W
0Dh–0Fh	—	Reserved	0	RO
10h–11h	PORTSC0	Port 0 Status/Control	0080h	R/WC <sup>1</sup>
12h–13h	PORTSC1	Port 1 Status/Control	0080h	R/WC <sup>1</sup>
14h–17h	—	Reserved	0	RO
18h	LOOPDATA	Loop Back Test Data	00h	RO

**NOTES:**

1. These registers are WORD writable only. Byte writes to these registers have unpredictable effects.

### 10.2.1 USBCMD—USB Command Register

I/O Offset:                   Base + (00–01h)                   Attribute:                   R/W  
 Default Value:               0000h                               Size:                        16 bits

The Command Register indicates the command to be executed by the serial bus host controller. Writing to the register causes a command to be executed. [Table 10-3](#) provides additional information on the operation of the Run/Stop and Debug bits.

Bit	Description
15:7	Reserved.
8	<b>Loop Back Test Mode.</b> 1 = ICH is in loop back test mode. When both ports are connected together, a write to one port is seen on the other port and the data stored in I/O offset 18h. 0 = Disable loop back test mode.
7	<b>Max Packet (MAXP).</b> This bit selects the maximum packet size that can be used for full speed bandwidth reclamation at the end of a frame. This value is used by the Host Controller to determine whether it should initiate another transaction based on the time remaining in the SOF counter. Use of reclamation packets larger than the programmed size will cause a Babble error if executed during the critical window at frame end. The Babble error results in the offending endpoint being stalled. Software is responsible for ensuring that any packet which could be executed under bandwidth reclamation be within this size limit. 1 = 64 bytes 0 = 32 bytes

Bit	Description
6	<b>Configure Flag (CF).</b> HCD software sets this bit as the last action in its process of configuring the Host Controller. This bit has no effect on the hardware. It is provided only as a semaphore service for software.
5	<b>Software Debug (SWDBG).</b> The SWDBG bit must only be manipulated when the controller is in the stopped state. This can be determined by checking the HCHalted bit in the USBSTS register. 1 = Debug mode. In SW Debug mode, the Host Controller clears the Run/Stop bit after the completion of each USB transaction. The next transaction is executed when software sets the Run/Stop bit back to 1. 0 = Normal Mode.
4	<b>Force Global Resume (FGR).</b> 1 = Host Controller sends the Global Resume signal on the USB. The Host Controller sets this bit to 1 when a resume event (connect, disconnect, or K-state) is detected while in global suspend mode. 0 = Software sets this bit to 0 after 20 ms has elapsed to stop sending the Global Resume signal. At that time all USB devices should be ready for bus activity. Software resets this bit to 0 to end Global Resume signaling. The 1 to 0 transition causes the port to send a low speed EOP signal. This bit will remain a 1 until the EOP has completed.
3	<b>Enter Global Suspend Mode (EGSM).</b> 1 = Host Controller enters the Global Suspend mode. No USB transactions occurs during this time. The Host Controller is able to receive resume signals from USB and interrupt the system. Software must ensure that the Run/Stop bit (bit 0) is cleared prior to setting this bit. 0 = Software resets this bit to 0 to come out of Global Suspend mode. Software writes this bit to 0 at the same time that Force Global Resume (bit 4) is written to 0 or after writing bit 4 to 0.
2	<b>Global Reset (GRESET).</b> 1 = Global Reset. The Host Controller sends the global reset signal on the USB and then resets all its logic, including the internal hub registers. The hub registers are reset to their power on state. Chip Hardware Reset has the same effect as Global Reset (bit 2), except that the Host Controller does not send the Global Reset on USB. 0 = This bit is reset by the software after a minimum of 10 ms has elapsed as specified in Chapter 7 of the <i>USB Specification</i> .
1	<b>Host Controller Reset (HCRESET).</b> The HCRESET effects on Hub registers are slightly different from Chip Hardware Reset and Global USB Reset. The HCRESET affects bits [8,3:0] of the Port Status and Control Register (PORTSC) of each port. HCRESET resets the state machines of the Host Controller including the Connect/Disconnect state machine (one for each port). When the Connect/Disconnect state machine is reset, the output that signals connect/disconnect are negated to 0, effectively signaling a disconnect, even if a device is attached to the port. This virtual disconnect causes the port to be disabled. This disconnect and disabling of the port causes bit 1 (connect status change) and bit 3 (port enable/disable change) of the PORTSC to get set. The disconnect also causes bit 8 of PORTSC to reset. About 64 bit times after HCRESET goes to 0, the connect and low-speed detect will take place and bits 0 and 8 of the PORTSC will change accordingly. 1 = Reset. When this bit is set, the Host Controller module resets its internal timers, counters, state machines, etc. to their initial value. Any transaction currently in progress on USB is immediately terminated. This bit is reset by the Host Controller when the reset process is complete.
0	<b>Run/Stop (RS).</b> When set to 1, the ICH proceeds with execution of the schedule. The ICH continues execution as long as this bit is set. When this bit is cleared, the ICH completes the current transaction on the USB and then halts. The HC Halted bit in the status register indicates when the Host Controller has finished the transaction and has entered the stopped state. The Host Controller clears this bit when the following fatal errors occur: consistency check failure, PCI Bus errors. 1 = Run 0 = Stop

**Table 10-3. Run/Stop, Debug Bit Interaction SWDBG (Bit 5), Run/Stop (Bit 0) Operation**

SWDBG (Bit 5)	Run/Stop (Bit 0)	Description
0	0	If executing a command, the Host Controller completes the command and then stops. The 1.0 ms frame counter is reset and command list execution resumes from start of frame using the frame list pointer selected by the current value in the FRNUM register. (While Run/Stop=0, the FRNUM register can be reprogrammed).
0	1	Execution of the command list resumes from Start Of Frame using the frame list pointer selected by the current value in the FRNUM register. The Host Controller remains running until the Run/Stop bit is cleared (by Software or Hardware).
1	0	If executing a command, the Host Controller completes the command and then stops and the 1.0 ms frame counter is frozen at its current value. All status are preserved. The Host Controller begins execution of the command list from where it left off when the Run/Stop bit is set.
1	1	Execution of the command list resumes from where the previous execution stopped. The Run/Stop bit is set to 0 by the Host Controller when a TD is being fetched. This causes the Host Controller to stop again after the execution of the TD (single step). When the Host Controller has completed execution, the HC Halted bit in the Status Register is set.

When the USB Host Controller is in Software Debug Mode (USBCMD Register bit 5=1), the single stepping software debug operation is as follows:

To Enter Software Debug Mode:

1. HCD puts Host Controller in Stop state by setting the Run/Stop bit to 0.
2. HCD puts Host Controller in Debug Mode by setting the SWDBG bit to 1.
3. HCD sets up the correct command list and Start Of Frame value for starting point in the Frame List Single Step Loop.
4. HCD sets Run/Stop bit to 1.
5. Host Controller executes next active TD, sets Run/Stop bit to 0, and stops.
6. HCD reads the USBCMD register to check if the single step execution is completed (HCHalted=1).
7. HCD checks results of TD execution. Go to step 4 to execute next TD or step 8 to end Software Debug mode.
8. HCD ends Software Debug mode by setting SWDBG bit to 0.
9. HCD sets up normal command list and Frame List table.
10. HCD sets Run/Stop bit to 1 to resume normal schedule execution.

In Software Debug mode, when the Run/Stop bit is set, the Host Controller starts. When a valid TD is found, the Run/Stop bit is reset. When the TD is finished, the HCHalted bit in the USBSTS register (bit 5) is set.

The SW Debug mode skips over inactive TDs and only halts after an active TD has been executed. When the last active TD in a frame has been executed, the Host Controller waits until the next SOF is sent and then fetches the first TD of the next frame before halting.



This HCHalted bit can also be used outside of Software Debug mode to indicate when the Host Controller has detected the Run/Stop bit and has completed the current transaction. Outside of the Software Debug mode, setting the Run/Stop bit to 0 always resets the SOF counter so that when the Run/Stop bit is set the Host Controller starts over again from the frame list location pointed to by the Frame List Index (see FRNUM Register description) rather than continuing where it stopped.

## 10.2.2 USBSTA—USB Status Register

I/O Offset: Base + (02–03h) Attribute: Read/ Write Clear  
 Default Value: 0000h Size: 16 bits

This register indicates pending interrupts and various states of the Host Controller. The status resulting from a transaction on the serial bus is not indicated in this register. Software sets a bit to 0 in this register by writing a 1 to it.

Bit	Description
15:6	Reserved.
5	<b>HCHalted.</b> The Host Controller sets this bit to 1 after it has stopped executing as a result of the Run/Stop bit being set to 0, either by software or by the Host Controller hardware (debug mode or an internal error).
4	<b>Host Controller Process Error.</b> The Host Controller sets this bit to 1 when it detects a fatal error and indicates that the Host Controller suffered a consistency check failure while processing a Transfer Descriptor. An example of a consistency check failure would be finding an illegal PID field while processing the packet header portion of the TD. When this error occurs, the Host Controller clears the Run/Stop bit in the Command register to prevent further schedule execution. A hardware interrupt is generated to the system.
3	<b>Host System Error.</b> The Host Controller sets this bit to 1 when a serious error occurs during a host system access involving the Host Controller module. In a PCI system, conditions that set this bit to 1 include PCI Parity error, PCI Master Abort, and PCI Target Abort. When this error occurs, the Host Controller clears the Run/Stop bit in the Command register to prevent further execution of the scheduled TDs. A hardware interrupt is generated to the system.
2	<b>Resume Detect (RSM_DET).</b> The Host Controller sets this bit to 1 when it receives a “RESUME” signal from a USB device. This is only valid if the Host Controller is in a global suspend state (bit 3 of Command register = 1).
1	<b>USB Error Interrupt.</b> The Host Controller sets this bit to 1 when completion of a USB transaction results in an error condition (e.g., error counter underflow). If the TD on which the error interrupt occurred also had its IOC bit set, both this bit and Bit 0 are set.
0	<b>USB Interrupt (USBINT).</b> The Host Controller sets this bit to 1 when the cause of an interrupt is a completion of a USB transaction whose Transfer Descriptor had its IOC bit set. The Host Controller also sets this bit to 1 when a short packet is detected (actual length field in TD is less than maximum length field in TD), and short packet detection is enabled in that TD.

### 10.2.3 USBINTR—Interrupt Enable Register

I/O Offset: Base + (04–05h) Attribute: R/W  
 Default Value: 0000h Size: 16 bits

This register enables and disables reporting of the corresponding interrupt to the software. When a bit is set and the corresponding interrupt is active, an interrupt is generated to the host. Fatal errors (Host Controller Processor Error-bit 4, USBSTS Register) cannot be disabled by the host controller. Interrupt sources that are disabled in this register still appear in the Status Register to allow the software to poll for events.

Bit	Description
15:4	Reserved.
3	<b>Short Packet Interrupt Enable.</b> 1 = Enabled. 0 = Disabled.
2	<b>Interrupt On Complete (IOC) Enable.</b> 1 = Enabled. 0 = Disabled.
1	<b>Resume Interrupt Enable.</b> 1 = Enabled. 0 = Disabled.
0	<b>Timeout/CRC Interrupt Enable.</b> 1 = Enabled. 0 = Disabled.

### 10.2.4 FRNUM—Frame Number Register

I/O Offset: Base + (06–07h) Attribute: R/W (Writes must be Word Writes)  
 Default Value: 0000h Size: 16 bits

Bits [10:0] of this register contain the current frame number which is included in the frame SOF packet. This register reflects the count value of the internal frame number counter. Bits [9:0] are used to select a particular entry in the Frame List during scheduled execution. This register is updated at the end of each frame time.

This register must be written as a word. Byte writes are not supported. This register cannot be written unless the Host Controller is in the STOPPED state as indicated by the HCHalted bit (USBSTS register). A write to this register while the Run/Stop bit is set (USBCMD register) is ignored.

Bit	Description
15:11	Reserved.
10:0	<b>Frame List Current Index/Frame Number.</b> Bits [10:0] provide the frame number in the SOF Frame. The value in this register increments at the end of each time frame (approximately every 1 ms). In addition, bits [9:0] are used for the Frame List current index and correspond to memory address signals [11:2].

## 10.2.5 FRBASEADD—Frame List Base Address

I/O Offset:	Base + (08–0Bh)	Attribute:	R/W
Default Value:	Undefined	Size:	32 bits

This 32-bit register contains the beginning address of the Frame List in the system memory. HCD loads this register prior to starting the schedule execution by the Host Controller. When written, only the upper 20 bits are used. The lower 12 bits are written as zero (4-Kbyte alignment). The contents of this register are combined with the frame number counter to enable the Host Controller to step through the Frame List in sequence. The two least significant bits are always 00. This requires DWord alignment for all list entries. This configuration supports 1024 Frame List entries.

Bit	Description
31:12	<b>Base Address.</b> These bits correspond to memory address signals [31:12], respectively.
11:0	Reserved.

## 10.2.6 SOFMOD—Start of Frame Modify Register

I/O Offset:	Base + (0Ch)	Attribute:	R/W
Default Value:	40h	Size:	8 bits

This 1-byte register is used to modify the value used in the generation of SOF timing on the USB. Only the 7 least significant bits are used. When a new value is written into these 7 bits, the SOF timing of the next frame will be adjusted. This feature can be used to adjust out any offset from the clock source that generates the clock that drives the SOF counter. This register can also be used to maintain real time synchronization with the rest of the system so that all devices have the same sense of real time. Using this register, the frame length can be adjusted across the full range required by the *USB Specification*. It's initial programmed value is system dependent based on the accuracy of hardware USB clock and is initialized by system BIOS. It may be reprogrammed by USB system software at any time. Its value will take effect from the beginning of the next frame. This register is reset upon a Host Controller Reset or Global Reset. Software must maintain a copy of its value for reprogramming if necessary.

Bit	Description																								
7	Reserved.																								
6:0	<p><b>SOF Timing Value.</b> Guidelines for the modification of frame time are contained in Chapter 7 of the <i>USB Specification</i>. The SOF cycle time (number of SOF counter clock periods to generate a SOF frame length) is equal to 11936 + value in this field. The default value is decimal 64 which gives a SOF cycle time of 12000. For a 12 MHz SOF counter clock input, this produces a 1 ms Frame period. The following table indicates what SOF Timing Value to program into this field for a certain frame period.</p> <table> <thead> <tr> <th>Frame Length (# 12Mhz Clocks) (decimal)</th> <th>SOF Reg. Value (decimal)</th> </tr> </thead> <tbody> <tr><td>11936</td><td>0</td></tr> <tr><td>11937</td><td>1</td></tr> <tr><td>.</td><td>.</td></tr> <tr><td>.</td><td>.</td></tr> <tr><td>11999</td><td>63</td></tr> <tr><td>12000</td><td>64</td></tr> <tr><td>12001</td><td>65</td></tr> <tr><td>.</td><td>.</td></tr> <tr><td>.</td><td>.</td></tr> <tr><td>12062</td><td>126</td></tr> <tr><td>12063</td><td>127</td></tr> </tbody> </table>	Frame Length (# 12Mhz Clocks) (decimal)	SOF Reg. Value (decimal)	11936	0	11937	1	.	.	.	.	11999	63	12000	64	12001	65	.	.	.	.	12062	126	12063	127
Frame Length (# 12Mhz Clocks) (decimal)	SOF Reg. Value (decimal)																								
11936	0																								
11937	1																								
.	.																								
.	.																								
11999	63																								
12000	64																								
12001	65																								
.	.																								
.	.																								
12062	126																								
12063	127																								

## 10.2.7 PORTSC[0,1]—Port Status and Control Register

I/O Offset:	Port 0: Base + (10–11h) Port 1: Base + (12–13h)	Attribute:	R/W (Writes must be a Word write)
Default Value:	0080h	Size:	16 bits

After a Power-up reset, Global reset, or Host Controller reset, the initial conditions of a port are: no device connected, Port disabled, and the bus line status is 00 (single-ended zero).

Bit	Description								
15:13	Reserved— RO.								
12	<p><b>Suspend</b>— R/W. This bit should not be written to a 1 if global suspend is active (bit 3=1 in the USBCMD register). Bit 2 and bit 12 of this register define the hub states as follows:</p> <table> <thead> <tr> <th>Bits [12,2]</th> <th>Hub State</th> </tr> </thead> <tbody> <tr> <td>x,0</td> <td>Disable</td> </tr> <tr> <td>0,1</td> <td>Enable</td> </tr> <tr> <td>1,1</td> <td>Suspend</td> </tr> </tbody> </table> <p>When in suspend state, downstream propagation of data is blocked on this port, except for single-ended 0 resets (global reset and port reset). The blocking occurs at the end of the current transaction, if a transaction was in progress when this bit was written to 1. In the suspend state, the port is sensitive to resume detection. Note that the bit status does not change until the port is suspended and that there may be a delay in suspending a port if there is a transaction currently in progress on the USB.</p> <p>1 = Port in suspend state. 0 = Port not in suspend state.</p> <p>Note: Suspending a port is supposed to stop when the current transaction completes. However, if there is a specific error condition, the ICH may issue a start-of-frame, and then shut down.</p>	Bits [12,2]	Hub State	x,0	Disable	0,1	Enable	1,1	Suspend
Bits [12,2]	Hub State								
x,0	Disable								
0,1	Enable								
1,1	Suspend								
11	<p><b>Overcurrent Indicator</b>— R/WC. Set by hardware</p> <p>1 = Overcurrent pin has gone from inactive to active on this port. 0 = This bit is cleared by software writing a '1'.</p>								
10	<p><b>Overcurrent Active</b>— RO.</p> <p>1 = Set by hardware to indicate that the overcurrent pin is active (low). 0 = Cleared by hardware to indicate that the overcurrent pin is inactive (high).</p>								
9	<p><b>Port Reset</b>— RO. When set, the port is disabled and sends the USB Reset signaling.</p>								
8	<p><b>Low Speed Device Attached (LS)</b> — RO. Writes have no effect.</p> <p>1 = Low speed device is attached to this port. 0 = Full speed device is attached.</p>								
7	Reserved— RO: Always read as 1.								
6	<p><b>Resume Detect (RSM_DET)</b> — R/W. Software sets this bit to a 1 to drive resume signaling. The Host Controller sets this bit to a 1 if a J-to-K transition is detected for at least 32 microseconds while the port is in the Suspend state. The ICH will then reflect the K-state back onto the bus as long as the bit remains a '1', and the port is still in the suspend state (bit 12,2 are '11'). Writing a 0 (from 1) causes the port to send a low speed EOP. This bit will remain a 1 until the EOP has completed.</p> <p>1 = Resume detected/driven on port. 0 = No resume (K-state) detected/driven on port.</p>								
5:4	<p><b>Line Status</b>— RO. These bits reflect the D+ (bit 4) and D- (bit 5) signals lines' logical levels. These bits are used for fault detect and recovery as well as for USB diagnostics. This field is updated at EOF2 time.</p>								
3	<p><b>Port Enable/Disable Change</b>— RW. For the root hub, this bit gets set only when a port is disabled due to disconnect on that port or due to the appropriate conditions existing at the EOF2 point (See Chapter 11 of the <i>USB Specification</i>). Software clears this bit by writing a 1 to it.</p> <p>1 = Port enabled/disabled status has changed. 0 = No change.</p>								

Bit	Description
2	<p><b>Port Enabled/Disabled (PORT_EN)</b> — R/W. Ports can be enabled by host software only. Ports can be disabled by either a fault condition (disconnect event or other fault condition) or by host software. Note that the bit status does not change until the port state actually changes and that there may be a delay in disabling or enabling a port if there is a transaction currently in progress on the USB.</p> <p>1 = Enable. 0 = Disable.</p>
1	<p><b>Connect Status Change</b>— RW. Indicates that a change has occurred in the port's Current Connect Status (see bit 0). The hub device sets this bit for any changes to the port device connect status, even if system software has not cleared a connect status change. If, for example, the insertion status changes twice before system software has cleared the changed condition, hub hardware will be setting an already-set bit (i.e., the bit will remain set). However, the hub transfers the change bit only once when the Host Controller requests a data transfer to the Status Change endpoint. System software is responsible for determining state change history in such a case. Software sets this bit to 0 by writing a 1 to it.</p> <p>1 = Change in Current Connect Status. 0 = No change.</p>
0	<p><b>Current Connect Status</b>— RO. This value reflects the current state of the port, and may not correspond directly to the event that caused the Connect Status Change bit (Bit 1) to be set.</p> <p>1 = Device is present on port. 0 = No device is present.</p>



# SMBus Controller Registers (D31:F3)

# 11

## 11.1 PCI Configuration Registers (SMBUS—D31:F3)

Table 11-1. PCI Configuration Map (SMBUS—D31:F3)

Offset	Mnemonic	Register Name/Function	Default	Type
00–01h	VID	Vendor ID	8086h	RO
02–03h	DID	Device ID	2413h (ICH: 82801AA) 2423h (ICH0: 82801AB)	RO
04–05h	CMD	Command Register	0000h	R/W
06–07h	STA	Device Status	0280h	R/W
08h	RID	Revision ID	Note 1	RO
09h	PI	Programming Interface	00h	RO
0Ah	SCC	Sub Class Code	05h	RO
0Bh	BCC	Base Class Code	0Ch	RO
0Eh	HEADTYP	Header Type	80h	RO
20–23h	SMB_BASE	SMBus Base Address Register	00000001h	R/W
2Ch–2Dh	SVID	Subsystem Vendor ID	8086h	RO
2Eh–2Fh	SID	Subsystem ID	2413h (ICH: 82801AA) 2423h (ICH0: 82801AB)	RO
3Ch	INTR_LN	Interrupt Line	00h	R/W
3Dh	INTR_PN	Interrupt Pin	02h	RO
40h	HOSTC	Host Configuration	00h	R/W

**NOTES:**

1. Refer to the *ICH Specification Updates* for the value of the Revision ID.
2. Addresses that are not listed in the above table are reserved and read only.

### 11.1.1 VID—Vendor Identification Register (SMBUS—D31:F3)

Address: 00–01h Attributes: RO  
 Default Value: 8086h Size: 16 bits

Bit	Description
15:0	<b>Vendor ID Value.</b> This is a 16 bit value assigned to Intel

### 11.1.2 DID—Device Identification Register (SMBUS—D31:F3)

Address: 02–03h Attributes: RO  
 Size: 16 bits

Default Value: 2413h (ICH: 82801AA)  
 2423h (ICH0: 82901AB)

Bit	Description
15:0	<b>Device ID value.</b>

### 11.1.3 CMD—Command Register (SMBUS—D31:F3)

Address: 04–05h Attributes: R/W  
 Default Value: 0000h Size: 16 bits

Bit	Description
15:10	Reserved.
9	Fast Back to Back Enable (FBE)—RO: Reserved as '0'.
8	SERR# Enable (SERREN) —RO: Reserved as '0'.
7	Wait Cycle Control (WCC) —RO: Reserved as '0'.
6	Parity Error Response (PER) —RO: Reserved as '0'.
5	VGA Palette Snoop (VPS) —RO: Reserved as '0'.
4	Postable Memory Write Enable (PMWE) —RO: Reserved as '0'.
3	Special Cycle Enable (SCE) —RO: Reserved as '0'.
2	Bus Master Enable (BME) —RO: Reserved as '0'.
1	Memory Space Enable (MSE) —RO: Reserved as '0'.
0	<b>I/O Space Enable (IOSE).</b> 1 = Enables access to the SM Bus I/O space registers as defined by the Base Address Register.



### 11.1.4 STA—Device Status Register (SMBUS—D31:F3)

Address: 06–07h Attributes: R/W  
 Default Value: 0280h Size: 16 bits

Bit	Description
15	Detected Parity Error (DPE) —RO: Reserved as '0'.
14	Signaled System Error (SSE) —RO: Reserved as '0'.
13	Received Master Abort (RMA) —RO: Reserved as '0'.
12	Received Target Abort (RTA) —RO: Reserved as '0'.
11	<b>Signaled Target-Abort Status—R/WC.</b> This bit is set when the function is targeted with a transaction that the ICH terminates with a target abort. Software resets STA to 0 by writing a 1 to this bit location.
10:9	<b>DEVSEL# Timing Status (DEVT)—RO.</b> This 2-bit field defines the timing for DEVSEL# assertion. These read only bits indicate the ICH's DEVSEL# timing when performing a positive decode. Note: ICH generates DEVSEL# with medium time.
8	Data Parity Error Detected—RO: Reserved as '0'.
7	Fast Back-to-Back Capable—RO: Reserved as '1'.
6	User Definable Features (UDF)—RO: Reserved as '0'.
5	66 MHz Capable—RO: Reserved as '0'.
4:0	Reserved.

### 11.1.5 RID—Revision ID Register (SMBUS—D31:F3)

Offset Address: 08h Attribute: RO  
 Default Value: See ICH Spec. Updates Size: 8 bits

Bit	Description
7:0	<b>Revision Identification Number.</b> 8-bit value that indicates the revision number for the ICH SMBus function. Refer to the <i>ICH Specification Updates</i> for this value.

### 11.1.6 PI—Programming Interface (SMBUS—D31:F3)

Address Offset: 09h Attribute: RO  
 Default Value: 00h Size: 8 bits

Bit	Description
7:0	<b>Programming Interface Value.</b>



### 11.1.11 SVID—Subsystem Vendor ID Register (SMBUS—D31:F3)

Address Offset:	2Dh–2Ch	Attribute:	RO
Default Value:	8086h	Size:	16 bits
Lockable:	No	Power Well:	Core

This register allows PCI plug-and-play software to find a non-zero value for the Subsystem Vendor ID field.

Bit	Description
15:0	<b>Subsystem Vendor ID Value.</b> Hardwired to 8086h

### 11.1.12 SID—Subsystem ID Register (SMBUS—D31:F3)

Address Offset:	2Fh–2Eh	Attribute:	RO
Lockable:	No	Size:	16 bits
		Power Well:	Core

Default Value: 2413h (ICH: 82801AA)  
2423h (ICH0: 82901AB)

This register allows PCI plug-and-play software to find a non-zero value for the Subsystem ID field.

Bit	Description
15:0	<b>Subsystem ID Value.</b>

### 11.1.13 INTR\_LN—Interrupt Line Register (SMBUS—D31:F3)

Address Offset:	3Ch	Attributes:	R/W
Default Value:	00h	Size:	8 bits

Bit	Description
7:0	<b>Interrupt line.</b> This data is not used by the ICH. It is to communicate to software the interrupt line that the interrupt pin is connected to PIRQB#.

### 11.1.14 INTR\_PN—Interrupt Pin Register (SMBUS—D31:F3)

Address Offset:	3Dh	Attributes:	RO
Default Value:	02h	Size:	8 bits

Bit	Description
7:0	<b>Interrupt PIN.</b> 02h = indicates that the ICH will drive PIRQB# as its interrupt line.





## 11.2.2 HST\_CNT—Host Control Register

Register Offset: 02h  
Default Value: 00h

Attribute: R/W  
Size: 8-bits

Bit	Description
7	Reserved.
6	<b>START—WO.</b> This write-only bit is used to initiate the command described in the SMB_CMD field. All registers should be setup prior to writing a '1' to this bit position. This bit always reads zero. The HOST_BUSY bit in the Host Status register (offset 00h) can be used to identify when the ICH has finished the command.
5	<b>LAST_BYTE—WO.</b> This bit is used for Block Read commands. 1 = Software sets this bit to indicate that the next byte will be the last byte to be received for the block. The ICH will send a NOT ACK (instead of an ACK) after receiving the last byte.
4:2	<p><b>SMB_CMD.</b> The bit encoding below indicates which command the ICH is to perform. If enabled, the ICH will generate an interrupt or SMI# when the command has completed. If the value is for a non-supported or reserved command, the ICH will set the device error (DEV_ERR) status bit and generate an interrupt when the START bit is set. The ICH will perform no command, and will not operate until DEV_ERR is cleared.</p> <p><b>000 = Quick:</b> The slave address and read/write value (bit 0) are stored in the transmit slave address register.</p> <p><b>001 = Byte:</b> This command uses the transmit slave address and command registers. Bit 0 of the slave address register determines if this is a read or write command.</p> <p><b>010 = Byte Data:</b> This command uses the transmit slave address, command, and DATA0 registers. Bit 0 of the slave address register determines if this is a read or write command. If it is a read, the DATA0 register will contain the read data.</p> <p><b>011 = Word Data:</b> This command uses the transmit slave address, command, DATA0 and DATA1 registers. Bit 0 of the slave address register determines if this is a read or write command. If it is a read, after the command completes, the DATA0 and DATA1 registers will contain the read data.</p> <p><b>100 = Process Call:</b> This command uses the transmit slave address, command, DATA0 and DATA1 registers. Bit 0 of the slave address register determines if this is a read or write command. After the command completes, the DATA0 and DATA1 registers will contain the read data.</p> <p><b>101 = Block:</b> This command uses the transmit slave address, command, DATA0 registers, and the Block Data Byte register. For block write, the count is stored in the DATA0 register and indicates how many bytes of data will be transferred. For block reads, the count is received and stored in the DATA0 register. Bit 0 of the slave address register selects if this is a read or write command. For writes, data is retrieved from the first n (where n is equal to the specified count) addresses of the SRAM array. For reads, the data is stored in the Block Data Byte register.</p> <p><b>110 = I<sup>2</sup>C Read:</b> This command uses the transmit slave address, command, DATA0, DATA1 registers, and the Block Data Byte register. The read data is stored in the Block Data Byte register. The ICH will continue reading data until the NAK is received.</p> <p><b>111 = Reserved</b></p>
1	<b>KILL.</b> 1 = When set, kills the current host transaction taking place, sets the FAILED status bit, and asserts the interrupt (or SMI#) selected by the SMB_INTRSEL field. 0 = This bit, once set, must be cleared to allow the SMBus Host Controller to function normally.
0	<b>INTREN.</b> Enable the generation of an interrupt or SMI# upon the completion of the command.







# AC'97 Audio Controller Registers (D31:F5)

# 12

## 12.1 AC'97 Audio PCI Configuration Space (D31:F5)

Table 12-1. PCI Configuration Map (Audio—D31:F5)

Offset	Mnemonic	Register	Default	Access
00h–01h	VID	Vendor Identification	8086h	RO
02h–03h	DID	Device Identification	2415h (ICH: 82801AA) 2425h (ICH0: 82801AB)	RO
04h–05h	PCICMD	PCI Command	0000	R/W
06h–07h	PCISTA	PCI Device Status	0280h	R/WC
08h	RID	Revision Identification	Note 1	RO
09h	PI	Programming Interface	00	RO
0Ah	SCC	Sub Class Code	01h	RO
0Bh	BCC	Base Class Code	04h	RO
0Eh	HEDTPY	Header Type	00	RO
10h–13h	NAMBAR	Native Audio Mixer Base Address	00000001h	R/W
14h–17h	NABMBAR	Native Audio Bus Mastering Base Address	00000001h	R/W
18h–1Bh	—	Reserved	00000001h	—
1Ch–2Bh	—	Reserved	—	—
2Ch–2Dh	SVID	Subsystem Vendor ID	0000h	Write-Once
2Eh–2Fh	SID	Subsystem ID	0000h	Write-Once
30h–3Bh	—	Reserved	—	—
3Ch	INTR_LN	Interrupt Line	00h	R/W
3Dh	INTR_PN	Interrupt Pin	02h	RO
3Eh–FFh	—	Reserved	—	—

**NOTES:**

1. Refer to the *ICH Specification Updates* for the value of the Revision ID.
2. Addresses that are not listed in the above table are reserved and read only.

### 12.1.1 VID—Vendor Identification Register (Audio—D31:F5)

Offset:	01h–00h	Attribute:	RO
Default Value:	8086h	Size:	16 Bits
Lockable:	No	Power Well:	Core

Bit	Description
15:0	<b>Vendor ID Value.</b> This is a 16 bit value assigned to Intel

### 12.1.2 DID—Device Identification Register (Audio—D31:F5)

Offset:	03h–02h	Attribute:	RO
Lockable:	No	Size:	16 Bits
Default Value:	2415h (ICH: 82801AA) 2425h (ICH0: 82901AB)	Power Well:	Core

Bit	Description
15:0	<b>Device ID Value.</b>

### 12.1.3 PCICMD—PCI Command Register (Audio—D31:F5)

Address Offset:	05h–04h	Attribute:	R/W
Default Value:	0000h	Size:	16 bits
Lockable:	No	Power Well:	Core

PCICMD is a 16-bit control register. Refer to the PCI 2.1 specification for complete details on each bit.

Bit	Description
15:10	Reserved. <i>Read 0.</i>
9	Fast Back to Back Enable (FBE). Not implemented. Hardwired to "0".
8	SERR# Enable (SEN). Not implemented. Hardwired to "0".
7	Wait Cycle Control (WCC). Not implemented. Hardwired to "0".
6	Parity Error Response (PER). Not implemented. Hardwired to "0".
5	VGA Palette Snoop (VPS). Not implemented. Hardwired to "0".
4	Memory Write and Invalidate Enable (MWI). Not implemented. Hardwired to "0".
3	Special Cycle Enable (SCE). Not implemented. Hardwired to "0".
2	<b>Bus Master Enable (BME)—R/W.</b> Controls standard PCI bus mastering capabilities. 1 = Enable 0 = Disable.
1	Memory Space (MS). Hardwired to "0", AC '97 does not respond to memory accesses
0	<b>IOS (I/O Space).</b> This bit controls access to the I/O space registers. 1 = Enable access to I/O space. The Native PCI Mode Base Address register should be programmed prior to setting this bit. 0 = Disable (Default).

### 12.1.4 PCISTA—PCI Device Status Register (Audio—D31:F5)

Offset:	07h–06h	Attribute:	R/WC
Default Value:	0280h	Size:	16 bits
Lockable:	No	Power Well:	Core

PCISTA is a 16-bit status register. Refer to the PCI 2.1 specification for complete details on each bit.

Bit	Description
15	Detected Parity Error (DPE). Not implemented. Hardwired to "0".
14	SERR# Status (SERRS). Not implemented. Hardwired to "0".
13	<b>Master-Abort Status (MAS).</b> 1 = Bus Master AC '97 2.1 interface function, as a master, generates a master abort. 0 = Software clears this bit by writing a "1" to this bit.
12	Reserved. Will always read as 0.
11	<b>Signaled Target-Abort Status (STA).</b> Not implemented. Hardwired to "0".
10:9	<b>DEVSEL# Timing Status (DEVT)—RO.</b> This 2-bit field reflects the ICH's DEVSEL# timing parameter. These bits indicate the ICH's DEVSEL# timing when performing a positive decode.
8	Data Parity Detected (DPD). Not implemented. Hardwired to "0".
7	Fast Back to back Capable (FBC). Hardwired to "1". This bit indicates that the ICH as a target is capable of fast back-to-back transactions.
6	UDF Supported. Not implemented. Hardwired to "0".
5	66 MHz Capable. Hardwired to "0".
4:0	Reserved. Read as 0's.

### 12.1.5 RID—Revision Identification Register (Audio—D31:F5)

Offset:	08h	Attribute:	RO
Default Value:	See ICH Spec. Updates	Size:	8 Bits
Lockable:	No	Power Well:	Core

Bit	Description
7:0	<b>Revision ID Value.</b> 8-bit value that indicates the revision number for the AC'97 Audio Controller. Refer to ICH Specification Updates for this value.

### 12.1.6 PI—Programming Interface Register (Audio—D31:F5)

Offset:	09h	Attribute:	RO
Default Value:	00h	Size:	8 bits
Lockable:	No	Power Well:	Core

Bit	Description
7:0	<b>Programming Interface.</b>

### 12.1.7 SCC—Sub Class Code Register (Audio—D31:F5)

Address Offset:	0Ah	Attribute:	RO
Default Value:	01h	Size:	8 bits
Lockable:	No	Power Well:	Core

This register indicates that the device is an audio device, in the context of a multimedia device (Base Class Code = 04h).

Bit	Description
7:0	<b>Sub Class Code.</b> 01h = Audio Device

### 12.1.8 BCC—Base Class Code Register (Audio—D31:F5)

Address Offset:	0Bh	Attribute:	RO
Default Value:	04h	Size:	8 bits
Lockable:	No	Power Well:	Core

Bit	Description
7:0	<b>Base Class Code.</b> 04h = Multimedia device

### 12.1.9 HEADTYP—Header Type Register (Audio—D31:F5)

Address Offset:	0Eh	Attribute:	RO
Default Value:	00h	Size:	8 bits
Lockable:	No	Power Well:	Core

Bit	Description
7:0	<b>Header Type Value.</b> This value is always read as zero.

### 12.1.10 NAMBAR—Native Audio Mixer Base Address Register (Audio—D31:F5)

Address Offset:	10h–13h	Attribute:	R/W
Default Value:	00000001h	Size:	32 bits
Lockable:	No	Power Well:	Core

The Native PCI Mode Audio function uses PCI Base Address register #1 to request a contiguous block of I/O space that is to be used for the Native Audio Mixer software interface. The mixer requires 256 bytes of I/O space. Native Audio Mixer and Modem codec I/O registers are located from 00h to 7Fh and reside in the codec. Access to these registers will be decoded by the AC '97 controller and forwarded over the AC-link to the codec. The codec will then respond with the register value.

In the case of the split codec implementation accesses to the different codecs are differentiated by the controller by using address offsets 00h–7Fh for the primary codec and address offsets 80h–FEh for the secondary codec.

For description of these I/O registers, refer to the AC'97 specification.

Bit	Description
31:16	Hardwired to 0's
15:8	<b>Base Address.</b> These bits are used in the I/O space decode of the Native Audio Mixer interface registers. The number of upper bits that a device actually implements depends on how much of the address space the device will respond to. For the AC '97 mixer, the upper 16 bits are hardwired to 0, while bits 15:8 are programmable. This configuration yields a maximum I/O block size of 256 bytes for this base address.
7:1	Reserved. Read as 0's.
0	<b>Resource Type Indicator (RTE).</b> This bit is set to one, indicating a request for I/O space.

### 12.1.11 NABMBAR—Native Audio Bus Mastering Base Address Register (Audio—D31:F5)

Address Offset:	14h–17h	Attribute:	R/W
Default Value:	00000001h	Size:	32 bits
Lockable:	No	Power Well:	Core

The Native PCI Mode Audio function uses PCI Base Address register #1 to request a contiguous block of I/O space that is to be used for the Native Mode Audio software interface.

Bit	Description
31:16	Hardwired to 0's
15:6	<b>Base Address.</b> These bits are used in the I/O space decode of the Native Audio Bus Mastering interface registers. The number of upper bits that a device actually implements depends on how much of the address space the device will respond to. For AC '97 bus mastering, the upper 16 bits are hardwired to 0, while bits 15:6 are programmable. This configuration yields a maximum I/O block size of 64 bytes for this base address.
5:1	Reserved. Read as 0's.
0	<b>Resource Type Indicator (RTE).</b> This bit is set to one, indicating a request for I/O space.

### 12.1.12 SVID—Subsystem Vendor ID Register (Audio—D31:F5)

Address Offset:	2Dh–2Ch	Attribute:	Write-Once
Default Value:	0000h	Size:	16 bits
Lockable:	No	Power Well:	Core

This register should be implemented for any function that could be instantiated more than once in a given system. For example, a system with 2 audio subsystems (one down on the motherboard and the other plugged into a PCI expansion slot) should have the SVID register implemented. The SVID register, in combination with the Subsystem ID register, enable the operating environment to distinguish one audio subsystem from the other(s).

This register is implemented as write-once register. Once a value is written to it, the value can be read back. Any subsequent writes will have no effect.

Bit	Description
15:0	Subsystem Vendor ID Value.

### 12.1.13 SID—Subsystem ID Register (Audio—D31:F5)

Address Offset:	2Fh–2Eh	Attribute:	RO
Default Value:	0000h	Size:	16 bits
Lockable:	No	Power Well:	Core

This register should be implemented for any function that could be instantiated more than once in a given system (for example, a system with 2 audio subsystems, one down on the motherboard and the other plugged into a PCI expansion slot). The SID register, in combination with the Subsystem Vendor ID register make it possible for the operating environment to distinguish one audio subsystem from the other(s).

This register is implemented as write-once register. Once a value is written to it, the value can be read back. Any subsequent writes will have no effect.

Bit	Description
15:0	Subsystem ID Value.

### 12.1.14 INTR\_LN—Interrupt Line Register (Audio—D31:F5)

Address Offset:	3Ch	Attribute:	R/W
Default Value:	00h	Size:	8 bits
Lockable:	No	Power Well:	Core

This register indicates which PCI interrupt line is used for the AC'97 module interrupt.

Bit	Description
7:0	<b>Interrupt Line:</b> This data is not used by the ICH. It is used to communicate to software the interrupt line that the interrupt pin is connected to.

### 12.1.15 INTR\_PN—Interrupt Pin Register (Audio—D31:F5)

Address Offset:	3Dh	Attribute:	RO
Default Value:	02h	Size:	8 bits
Lockable:	No	Power Well:	Core

This register indicates which PCI interrupt pin is used for the AC '97 module interrupt. The AC '97 interrupt is internally OR'ed to the interrupt controller with the PIRQB# signal.

Bit	Description
7:3	Reserved.
2:0	<b>AC '97 Interrupt Routing.</b> Hardwired to 010b to select PIRQB#.

## 12.2 AC'97 Audio I/O Space (D31:F5)

The AC'97 I/O space includes Native Audio Bus Master Registers and Native Mixer Registers. [Table 12-2](#) shows the register addresses for the audio mixer registers.

**Table 12-2. ICH Audio Mixer Register Configuration**

Register	NAMBAR Exposed Registers (D31:F5)
Primary	Name
00h	Reset
02h	Master Volume Mute
04h	Headphone Volume Mute
06h	Master Volume Mono Mute
08h	Master Tone (R & L)
0Ah	PC_BEEP Volume Mute
0Ch	Phone Volume Mute
0Eh	Mic Volume Mute
10h	Line In Volume Mute
12h	CD Volume Mute
14h	Video Volume Mute
16h	Aux Volume Mute
18h	PCM Out Volume Mute
1Ah	Record Select
1Ch	Record Gain Mute
1Eh	Record Gain Mic Mute
20h	General Purpose
22h	3D Control
24h	AC'97 RESERVED
26h	Powerdown Ctrl/Stat
28h	Extended Audio
2Ah	Extended Audio Ctrl/Stat

Table 12-2. ICH Audio Mixer Register Configuration

Register	NAMBAR Exposed Registers (D31:F5)
Primary	Name
2Ch	PCM Front DAC Rate
2Eh	<i>PCM Surround DAC Rate</i>
30h	<i>PCM LFE DAC Rate</i>
32h	PCM LR ADC Rate
34h	MIC ADC Rate
36h	<i>6Ch Vol: C, LFE Mute</i>
38h	<i>6Ch Vol: L, R Surround Mute</i>
3Ah:56h	Intel RESERVED
58h	<b>Vendor Reserved</b>
7Ah	<b>Vendor Reserved</b>
7Ch	<b>Vendor ID1</b>
7Eh	<b>Vendor ID2</b>

**NOTE:**

1. Registers in bold are multiplexed between audio and modem functions
2. Registers in italics are for functions not supported by the ICH. The ICH does not support audio as a secondary codec.
3. Software should not try to access reserved registers

The Bus Master registers are located from offset + 00h to offset + 51h and reside in the AC '97 controller. Accesses to these registers do NOT cause the cycle to be forwarded over the AC-link to the codec.

In the case of the split codec implementation accesses to the different codecs are differentiated by the controller by using address offsets 00h–7Fh for the primary codec and address offsets 80h–FEh for the secondary codec.

The Global Control (GLOB\_CNT) and Global Status (GLOB\_STA) registers are aliased to the same global registers in the audio and modem I/O space. Therefore a read/write to these registers in either audio or modem I/O space affects the same physical register.

Bus Mastering registers exist in I/O space and reside in the AC '97 controller. The three channels, PCM in, PCM out, and Mic in, each have their own set of Bus Mastering registers. The following register descriptions apply to all three channels. The register definition section titles use a generic "x\_" in front of the register to indicate that the register applies to all three channels. The naming prefix convention used in Table 12-3 and in the register description I/O address is as follows:

PI = PCM in channel  
 PO = PCM out channel  
 MC = Mic in channel.



**Table 12-3. Native Audio Bus Master Control Registers**

Offset	Mnemonic	Name	Default	Access
00h	PI_BDBAR	PCM In Buffer Descriptor list Base Address Register	00000000h	R/W
04h	PI_CIV	PCM In Current Index Value	00h	RO
05h	PI_LVI	PCM In Last Valid Index	00h	R/W
06h	PI_SR	PCM In Status Register	0001h	R/W
08h	PI_PICB	PCM In Position In Current Buffer	0000h	RO
0Ah	PI_PIV	PCM In Prefetched Index Value	00h	RO
0Bh	PI_CR	PCM In Control Register	00h	R/W
10h	PO_BDBAR	PCM Out Buffer Descriptor list Base Address Register	00000000h	R/W
14h	PO_CIV	PCM Out Current Index Value	00h	RO
15h	PO_LVI	PCM Out Last Valid Index	00h	R/W
16h	PO_SR	PCM Out Status Register	0001h	R/W
18h	PO_PICB	PCM Out Position In Current Buffer	0000h	RO
1Ah	PO_PIV	PCM Out Prefetched Index Value	00h	RO
1Bh	PO_CR	PCM Out Control Register	00h	R/W
20h	MC_BDBAR	Mic. In Buffer Descriptor list Base Address Register	00000000h	R/W
24h	PM_CIV	Mic. In Current Index Value	00h	RO
25h	MC_LVI	Mic. In Last Valid Index	00h	R/W
26h	MC_SR	Mic. In Status Register	0001h	R/W
28h	MC_PICB	Mic In Position In Current Buffer	0000h	RO
2Ah	MC_PIV	Mic. In Prefetched Index Value	00h	RO
2Bh	MC_CR	Mic. In Control Register	00h	R/W
2Ch	GLOB_CNT	Global Control	00000000h	R/W
30h	GLOB_STA	Global Status	00000000h	RO
34h	ACC_SEMA	Codec Write Semaphore Register	00h	R/W

## 12.2.1 x\_BDBAR—Buffer Descriptor Base Address Register

I/O Address:	NABMBAR + 00h (PIBDBAR), NABMBAR + 10h (POBDBAR), NABMBAR + 20h (MCBDBAR)	Attribute:	R/W
Default Value:	00000000h	Size:	32 bits
Lockable:	No	Power Well:	Core

Bit	Description
31:3	<b>Buffer Descriptor Base address[31:3].</b> These bits represent address bits 31:3. The data should be aligned on 8-byte boundaries. Each buffer descriptor is 8 bytes long and the list can contain a maximum of 32 entries.
2:0	Hardwired to 0.

## 12.2.2 x\_CIV—Current Index Value Register

I/O Address:	NABMBAR + 04h (PICIV), NABMBAR + 14h (POCIV), NABMBAR + 24h (MCCIV)	Attribute:	RO
Default Value:	00h	Size:	8 bits
Lockable:	No	Power Well:	Core

Software can read the registers at offsets 04h, 05h and 06h simultaneously by performing a single 32 bit read from address offset 04h. Software can also read this register individually by doing a single 8 bit read to offset 04h.

Bit	Description
7:5	Hardwired to 0
4:0	<b>Current Index Value[4:0].</b> These bits represent which buffer descriptor within the list of 32 descriptors is currently being processed. As each descriptor is processed, this value is incremented. The value rolls over after it reaches 31.

## 12.2.3 x\_LVI—Last Valid Index Register

I/O Address:	NABMBAR + 05h (PILVI), NABMBAR + 15h (POLVI), NABMBAR + 25h (MCLVI)	Attribute:	R/W
Default Value:	00h	Size:	8 bits
Lockable:	No	Power Well:	Core

Software can read the registers at offsets 04h, 05h and 06h simultaneously by performing a single 32-bit read from address offset 04h. Software can also read this register individually by doing a single 8-bit read to offset 05h.

Bit	Description
7:5	Hardwired to 0.
4:0	<b>Last Valid Index[4:0].</b> This value represents the last valid descriptor in the list. This value is updated by the software each time it prepares a new buffer and adds it to the list.

## 12.2.4 x\_SR—Status Register

I/O Address:	NABMBAR + 06h (PISR), NABMBAR + 16h (POSR), NABMBAR + 26h (MCSR)	Attribute:	R/W
Default Value:	0001h	Size:	16 bits
Lockable:	No	Power Well:	Core

Software can read these 3 registers simultaneously by scheduling a single 32-bit read from address offset 04h. Software can also read this individual register by performing a 16-bit read from 06h.

Bit	Description
15:5	Reserved.
4	<p><b>FIFO error (FIFOE).</b> The ICH will set the FIFOE bit if the under-run or overrun occurs when there are more valid buffers to process.</p> <p>1 = FIFO error occurs. 0 = Cleared by writing a "1" to this bit position.</p> <p><b>NOTES:</b></p> <ol style="list-style-type: none"> <li><b>PISR Register:</b> FIFO error indicates a FIFO overrun. The FIFO pointers do not increment, the incoming data is not written into the FIFO, thus is lost.</li> <li><b>POSR Register:</b> FIFO error indicates a FIFO under-run. The sample transmitted in this case should be the last valid sample.</li> </ol>
3	<p><b>Buffer Completion Interrupt Status (BCIS).</b></p> <p>1 = Set by the hardware after the last sample of a buffer has been processed, AND if the Interrupt on Completion (IOC) bit is set in the command byte of the buffer descriptor. It remains active until cleared by software. 0 = Cleared by writing a "1" to this bit position.</p>
2	<p><b>Last Valid Buffer Completion Interrupt (LVBCI).</b></p> <p>1 = Last valid buffer has been processed. It remains active until cleared by software. This bit indicates the occurrence of the event signified by the last valid buffer being processed. Thus, this is an event status bit that can be cleared by software once this event has been recognized. This event causes an interrupt if the enable bit in the Control Register is set. The interrupt is cleared when the software clears this bit.</p> <p>In the case of <i>Transmits</i> (PCM out, Modem out) this bit is set, after the last valid buffer has been fetched (not after transmitting it). While in the case of <i>Receives</i>, this bit is set after the data for the last buffer has been written to memory.</p> <p>0 = Cleared by writing a "1" to this bit position.</p>
1	<p><b>Current Equals Last Valid (CELV).</b></p> <p>1 = Current Index is equal to the value in the Last Valid Index Register, and the buffer pointed to by the CIV has been processed (i.e., after the last valid buffer has been processed). This bit is very similar to bit 2, except this bit reflects the state rather than the event. This bit reflects the state of the controller and remains set until the controller exits this state.</p> <p>0 = Cleared by hardware when controller exists state (i.e., until a new value is written to the LVI register.)</p>
0	<p><b>DMA Controller Halted (DCH).</b></p> <p>1 = Halted. This could happen because of the Start/Stop bit being cleared or it could happen once the controller has processed the last valid buffer (in which case it sets bit 1 and halts).</p>

## 12.2.5 x\_PICB—Position In Current Buffer Register

I/O Address:	NABMBAR + 08h (PIPICB), NABMBAR + 18h (POPICB), NABMBAR + 28h (MCPICB)	Attribute:	RO
Default Value:	0000h	Size:	16 bits
Lockable:	No	Power Well:	Core

Bit	Description
15:0	<b>Position In Current Buffer[15:0].</b> These bits represent the number of DWords left to be processed in the current buffer. Once again, this means, the number of samples not yet read from memory (in the case of reads from memory) or not yet written to memory (in the case of writes to memory), irrespective of the number of samples that have been transmitted/received across AC-link.

## 12.2.6 x\_PIV—Prefetched Index Value Register

I/O Address:	NABMBAR + 0Ah (PIPIV), NABMBAR + 1Ah (POPIV), NABMBAR + 2Ah (MCPIV)	Attribute:	RO
Default Value:	00h	Size:	8 bits
Lockable:	No	Power Well:	Core

Bit	Description
7:5	Hardwired to 0.
4:0	<b>Prefetched Index Value[4:0].</b> These bits represent which buffer descriptor in the list has been prefetched. The bits in this register are also modulo 32 and roll over after they reach 31.

## 12.2.7 x\_CR—Control Register

I/O Address:	NABMBAR + 0Bh (PICR), NABMBAR + 1Bh (POCR), NABMBAR + 2Bh (MCCR)	Attribute:	R/W
Default Value:	00h	Size:	8 bits
Lockable:	No	Power Well:	Core

Bit	Description
7:5	Reserved.
4	<b>Interrupt On Completion Enable (IOCE).</b> This bit controls whether or not an interrupt occurs when a buffer completes with the IOC bit set in its descriptor.
3	<b>FIFO Error Interrupt Enable (FEIE).</b> This bit controls whether the occurrence of a FIFO error causes an interrupt. 1 = Enable. Interrupt will occur 0 = Disable. Bit 4 in the Status Register will be set, but the interrupt will not occur.
2	<b>Last Valid Buffer Interrupt Enable (LVBIE).</b> This bit controls whether the completion of the last valid buffer causes an interrupt. 1 = Enable. 0 = Disable. Bit 2 in the Status register will still be set, but the interrupt will not occur.
1	<b>Reset Registers (RR).</b> 1 = Contents of all Bus master related registers to be reset, except the interrupt enable bits (bit 4,3,2 of this register). Software needs to set this bit but need not clear it since the bit is self clearing. This bit must be set only when the Run/Pause bit is cleared. Setting it when the Run bit is set caused undefined consequences. 0 = Removes reset condition.
0	<b>Run/Pause Bus master (RPBM).</b> 1 = Run. Bus master operation starts. 0 = Pause bus master operation. This results in all state information being retained (i.e., master mode operation can be stopped and then resumed).

## 12.2.8 GLOB\_CNT—Global Control Register

I/O Address: NABMBAR + 2Ch      Attribute: R/W  
 Default Value: 00000000h      Size: 32 bits  
 Lockable: No      Power Well: Core

Bit	Description
31:6	Reserved.
5	<b>Secondary Resume Interrupt Enable</b> 1 = Enable an interrupt to occur when the secondary codec causes a resume event on the AC-link. 0 = Disable
4	<b>Primary Resume Interrupt Enable</b> 1 = Enable an interrupt to occur when the primary codec causes a resume event on the AC-link. 0 = Disable
3	<b>ACLINK Shut Off</b> 1 = Drive all AC'97 outputs low and turn off all AC'97 input buffer enables.
2	<b>AC'97 Warm Reset.</b> 1 = Writing a "1" to this bit causes a warm reset to occur on the AC-link. The warm reset awakens a suspended codec without clearing its internal registers. If software attempts to perform a warm reset while bit_clk is running, the write is ignored and the bit does not change. This bit is self-clearing (it remains set until the reset completes and bit_clk is seen on the ACLink, after which it clears itself).
1	<b>AC '97 Cold Reset#.</b> 0 = Writing a "0" to this bit causes a cold reset to occur throughout the AC '97 circuitry. All data in the controller and the codec is lost. Software needs to clear this bit no sooner than the minimum number of ms have elapsed. This bit defaults to 0 and hence after reset, the driver needs to set this bit to a 1. The value of this bit is retained after suspends; hence, if this bit is set to a 1 prior to suspending, a cold reset is not generated automatically upon resuming.  <b>NOTE:</b> This bit is in the Resume well, not in the Core well.
0	<b>GPI Interrupt Enable (GIE).</b> This bit controls whether the change in status of any GPI causes an interrupt. 1 = The change on value of a GPI causes an interrupt and sets bit 0 of the Global Status Register. 0 = Bit 0 of the Global Status Register is set, but an interrupt is not generated.

## 12.2.9 GLOB\_STA—Global Status Register

I/O Address: NABMBAR + 30h      Attribute: R/W  
 Default Value: 00000000h      Size: 32 bits  
 Lockable: No      Power Well: Core

Bit	Description
31:18	Reserved.
17	<b>MD3:</b> Power down semaphore for Modem. This bit is used by software in conjunction with the AD3 bit to coordinate the entry of the two codecs into D3 state. This bit resides in the resume well and maintain context across power states.
16	<b>AD3:</b> Power down semaphore for Audio. This bit is used by software in conjunction with the MD3 bit to coordinate the entry of the two codecs into D3 state. This bit resides in the resume well and maintain context across power states.

Bit	Description
15	<b>Read Completion Status:</b> This bit indicates the status of codec read completions. 1 = A codec read results in a time-out. The bit remains set until being cleared by software. 0 = A codec read completes normally.
14	<b>Bit 3 of slot 12:</b> Display bit 3 of the most recent slot 12. This bit is Read Only.
13	<b>Bit 2 of slot 12:</b> Display bit 2 of the most recent slot 12. This bit is Read Only.
12	<b>Bit 1 of slot 12:</b> Display bit 1 of the most recent slot 12. This bit is Read Only.
11	<b>Secondary Resume Interrupt.</b> This bit indicates that a resume event occurred on AC_SDIN[1]. 1 = Resume event occurred 0 = Cleared by writing a 1 to this bit position.
10	<b>Primary Resume Interrupt.</b> This bit indicates that a resume event occurred on AC_SDIN[0]. 1 = Resume event occurred 0 = Cleared by writing a 1 to this bit position.
9	<b>Secondary Codec Ready (SCR).</b> Reflects the state of the codec ready bit in AC_SDIN[1]. Bus masters ignore the condition of the codec ready bits. Software must check this bit before starting the bus masters. Once the codec is "ready", it must never go "not ready" spontaneously.
8	<b>Primary Codec Ready (PCR).</b> Reflects the state of the codec ready bit in AC_SDIN [0]. Bus masters ignore the condition of the codec ready bits. Software must check this bit before starting the bus masters. Once the codec is "ready", it must never go "not ready" spontaneously.
7	<b>Mic In Interrupt (MINT).</b> This bit indicates that one of the Mic in channel interrupts occurred. 1 = Interrupt occurred. 0 = When the specific interrupt is cleared, this bit will be cleared.
6	<b>PCM Out Interrupt (POINT).</b> This bit indicates that one of the PCM out channel interrupts occurred. 1 = Interrupt occurred. 0 = When the specific interrupt is cleared, this bit will be cleared.
5	<b>PCM In Interrupt (PIINT).</b> This bit indicates that one of the PCM in channel interrupts occurred. 1 = Interrupt occurred. 0 = When the specific interrupt is cleared, this bit will be cleared.
4:3	Reserved
2	<b>Modem Out Interrupt (MOINT).</b> This bit indicates that one of the modem out channel interrupts occurred. 1 = Interrupt occurred. 0 = When the specific interrupt is cleared, this bit will be cleared.
1	<b>Modem In Interrupt (MIINT).</b> This bit indicates that one of the modem in channel interrupts occurred. 1 = Interrupt occurred. 0 = When the specific interrupt is cleared, this bit will be cleared.
0	<b>GPI Status Change Interrupt (GSCI).</b> This bit reflects the state of bit 0 in slot 12, and is set whenever bit 0 of slot 12 is set. This happens when the value of any of the GPIOs currently defined as inputs changes. 1 = Input changed. 0 = Cleared by writing a 1 to this bit position.

## 12.2.10 CAS—Codec Access Semaphore Register

I/O Address:	NABMBAR + 34h	Attribute:	R/W
Default Value:	00h	Size:	8 bits
Lockable:	No	Power Well:	Core

Bit	Description
7:1	Reserved.
0	<p><b>Codec Access Semaphore (CAS).</b> This bit is read by software to check whether a codec access is currently in progress.</p> <p>1 = The act of reading this register sets this bit to 1. The driver that read this bit can then perform an I/O access. Once the access is completed, hardware automatically clears this bit.</p> <p>0 = No access in progress.</p>



# AC '97 Modem Controller Registers (D31:F6)

# 13

## 13.1 AC '97 Modem PCI Configuration Space (D31:F6)

Table 13-1. PCI Configuration Map (Modem—D31:F6)

Offset	Mnemonic	Register	Default	Access
00h–01h	VID	Vendor Identification	8086	RO
02h–03h	DID	Device Identification	2416h (ICH: 82801AA) 2426h (ICH0: 82801AB)	RO
04h–05h	PCICMD	PCI Command	0000	R/W
06h–07h	PCISTA	PCI Device Status	0280h	R/WC
08h	RID	Revision Identification	Note 1	RO
09h	PI	Programming Interface	00	RO
0Ah	SCC	Sub Class Code	03h	RO
0Bh	BCC	Base Class Code	07h	RO
0Eh	HEDTYP	Header Type	00	RO
0Fh	—	Reserved	—	—
10h–13h	MMBAR	Modem Mixer Base Address	00000001h	R/W
14h–17h	MBAR	Modem Base Address	00000001h	R/W
18h–1Bh	—	Reserved	00000001h	—
1Ch–2Bh	—	Reserved	—	—
2Ch–2Dh	SVID	Subsystem Vendor ID	0000h	Write-Once
2Eh–2Fh	SID	Subsystem ID	0000h	Write-Once
30h–3Bh	—	Reserved	—	—
3Ch	INTR_LN	Interrupt Line	00h	RO
3Dh	INT_PN	Interrupt Pin	02h	RO

**NOTES:**

1. Refer to the *ICH Specification Updates* for the value of the Revision ID.
2. Addresses that are not listed in the above table are reserved and read only.

### 13.1.1 VID—Vendor Identification Register (Modem—D31:F6)

Address Offset:	01h–00h	Attribute:	RO
Default Value:	8086	Size:	16 Bits
Lockable:	No	Power Well:	Core

Bit	Description
15:0	Vendor ID Value.

### 13.1.2 DID—Device Identification Register (Modem—D31:F6)

Address Offset:	03h–02h	Attribute:	RO
Default Value:		Size:	16 Bits
Lockable:	No	Power Well:	Core
Default Value:	2416h (ICH: 82801AA) 2426h (ICH0: 82901AB)		

Bit	Description
15:0	Device ID Value.

### 13.1.3 PCICMD—PCI Command Register (Modem—D31:F6)

Address Offset:	05h–04h	Attribute:	R/W
Default Value:	0000h	Size:	16 bits
Lockable:	No	Power Well:	Core

PCICMD is a 16-bit control register. Refer to the *PCI 2.1 specification* for complete details on each bit.

Bit	Description
15:10	Reserved. Read 0.
9	Fast Back to Back Enable (FBE). Not implemented. Hardwired to "0".
8	SERR# Enable (SEN). Not implemented. Hardwired to "0".
7	Wait Cycle Control (WCC). Not implemented. Hardwired to "0".
6	Parity Error Response (PER). Not implemented. Hardwired to "0".
5	VGA Palette Snoop (VPS). Not implemented. Hardwired to "0".
4	Memory Write and Invalidate Enable (MWI). Not implemented. Hardwired to "0".
3	Special Cycle Enable (SCE). Not implemented. Hardwired to "0".
2	<b>Bus Master Enable (BME)—R/W.</b> Controls standard PCI bus mastering capabilities. 1 = Enable 0 = Disable.
1	Memory Space (MS). Hardwired to "0". AC '97 does not respond to memory accesses.
0	<b>I/O Space (IOS)—R/W.</b> This bit controls access to the I/O space registers. 1 = Enable access to I/O space. The Native PCI Mode Base Address register should be programmed prior to setting this bit. 0 = Disable access. (default = 0)

### 13.1.4 PCISTA—Device Status Register (Modem—D31:F6)

Address Offset:	07h–06h	Attribute:	R/WC
Default Value:	0280h	Size:	16 bits
Lockable:	No	Power Well:	Core

PCISTA is a 16-bit status register. Refer to the *PCI 2.1 specification* for complete details on each bit.

Bit	Description
15	DPE (Detected Parity Error)—RO. Not implemented. Hardwired to "0".
14	SERRS (SERR# Status) —RO. Not implemented. Hardwired to "0".
13	<b>MAS (Master-Abort Status)</b> —R/WC. 1 = Bus Master AC '97 interface function, as a master, generates a master abort. 0 = Software clears this bit by writing a "1" to this bit.
12	Reserved. Read as "0".
11	STA (Signaled Target-Abort Status) —RO. Not implemented. Hardwired to "0".
10:9	DEVT (DEVSEL# Timing Status)—RO. This 2-bit field reflects the ICH's DEVSEL# timing parameter. These read only bits indicate the ICH's DEVSEL# timing when performing a positive decode.
8	DPD (Data Parity Detected) —RO. Not implemented. Hardwired to "0".
7	FBC (Fast Back to back Capable) —RO. Hardwired to "1". This bit indicates that the ICH as a target is capable of fast back-to-back transactions.
6	UDF Supported—RO. Not implemented. Hardwired to "0".
5	66 MHz Capable—RO. Hardwired to "0".
4:0	Reserved. Read as 0's.

### 13.1.5 RID—Revision Identification Register (Modem—D31:F6)

Address Offset:	08h	Attribute:	RO
Default Value:	See ICH Spec. Updates	Size:	8 Bits
Lockable:	No	Power Well:	Core

Bit	Description
7:0	<b>Revision ID Value.</b> 8-bit value that indicates the revision number for the AC'97 Modem Controller. Refer to the <i>ICH Specification Updates</i> for this value.

### 13.1.6 PI—Programming Interface Register (Modem—D31:F6)

Address Offset:	09h	Attribute:	RO
Default Value:	00h	Size:	8 bits
Lockable:	No	Power Well:	Core

Bit	Description
7:0	<b>Programming Interface Value.</b>

**13.1.7 SCC—Sub Class Code Register (Modem—D31:F6)**

Address Offset:	0Ah	Attribute:	RO
Default Value:	03h	Size:	8 bits
Lockable:	No	Power Well:	Core

Bit	Description
7:0	<b>Sub Class Code Value.</b> 03h = Generic Modem.

**13.1.8 BCC—Base Class Code Register (Modem—D31:F6)**

Address Offset:	0Bh	Attribute:	RO
Default Value:	07h	Size:	8 bits
Lockable:	No	Power Well:	Core

Bit	Description
7:0	<b>Base Class Code Value.</b> 07h = Simple Communications Controller.

**13.1.9 HEDTYP—Header Type Register (Modem—D31:F6)**

Address Offset:	0Eh	Attribute:	RO
Default Value:	00h	Size:	8 bits
Lockable:	No	Power Well:	Core

Bit	Description
7:0	<b>Header Value.</b> Always reads as 0.



### 13.1.12 SVID—Subsystem Vendor ID (Modem—D31:F6)

Address Offset:	2Dh–2Ch	Attribute:	Write-Once
Default Value:	0000h	Size:	16 bits
Lockable:	No	Power Well:	Core

This register should be implemented for any function that could be instantiated more than once in a given system. For example, a system with 2 audio subsystems (one down on the motherboard and the other plugged into a PCI expansion slot) should have the SVID register implemented. The SVID register, in combination with the Subsystem ID register, enable the operating environment to distinguish one audio subsystem from the other(s).

This register is implemented as write-once register. Once a value is written to it, the value can be read back. Any subsequent writes will have no effect.

Bit	Description
15:0	Subsystem Vendor ID Value.

### 13.1.13 SID—Subsystem ID (Modem—D31:F6)

Address Offset:	2Fh–2Eh	Attribute:	Write-Once
Default Value:	0000h	Size:	16 bits
Lockable:	No	Power Well:	Core

This register should be implemented for any function that could be instantiated more than once in a given system (for example, a system with 2 audio subsystems, one down on the motherboard and the other plugged into a PCI expansion slot). The SID register, in combination with the Subsystem Vendor ID register make it possible for the operating environment to distinguish between multiple audio subsystems in a single platform.

This register is implemented as write-once register. Once a value is written to it, the value can be read back. Any subsequent writes will have no effect.

Bit	Description
15:0	Subsystem ID Value.

### 13.1.14 INTR\_LN—Interrupt Line Register (Modem—D31:F6)

Address Offset:	3Ch	Attribute:	R/W
Default Value:	00h	Size:	8 bits
Lockable:	No	Power Well:	Core

This register indicates which PCI interrupt line is used for the AC'97 module interrupt.

Bit	Description
7:0	<b>Interrupt Line:</b> This data is not used by the ICH. It is used to communicate to software the interrupt line that the interrupt pin is connected to.

### 13.1.15 INT\_PIN—Interrupt Pin (Modem—D31:F6)

Address Offset:	3Dh	Attribute:	RO
Default Value:	02h	Size:	8 bits
Lockable:	No	Power Well:	Core

This register indicates which PCI interrupt pin is used for the AC '97 modem interrupt. The AC '97 interrupt is internally ORed to the interrupt controller with the PIRQB# signal.

Bit	Description
7:3	Reserved.
2:0	<b>AC '97 Interrupt Routing.</b> Hardwired to 010b to select PIRQB#.

## 13.2 AC'97 Modem I/O Space (D31:F6)

In the case of the split codec implementation accesses to the modem mixer registers in different codecs are differentiated by the controller by using address offsets 00h–7Fh for the primary codec and address offsets 80h–FEh for the secondary codec. Table 13-2 shows the register addresses for the modem mixer registers.

**Table 13-2. ICH Modem Mixer Register Configuration**

Register		MMBAR Exposed Registers (D31:F6)
Pri.	Sec.	Name
00h:38h	80h:B8h	Intel RESERVED
3Ch	BCh	Extended Modem ID
3Eh	BEh	Extended Modem Stat/Ctrl
40h	C0h	Line 1 DAC/ADC Rate
42h	<i>C2h</i>	<i>Line 2 DAC/ADC Rate</i>
44h	<i>C4h</i>	<i>Handset DAC/ADC Rate</i>
46h	C6h	Line 1 DAC/ADC Level Mute
48h	<i>C8h</i>	<i>Line 2 DAC/ADC Level Mute</i>
4Ah	<i>CAh</i>	<i>Handset DAC/ADC Level Mute</i>
4Ch	CCh	GPIO Pin Config
4Eh	CEh	GPIO Polarity/Type
50h	D0h	GPIO Pin Sticky
52h	D2h	GPIO Pin Wake Up
54h	D4h	GPIO Pin Status
56h	D6h	Misc. Modem AFE Stat/Ctrl
<b>58h</b>	<b>D8h</b>	<b>Vendor Reserved</b>
<b>7Ah</b>	<b>FAh</b>	<b>Vendor Reserved</b>
<b>7Ch</b>	<b>FCh</b>	<b>Vendor ID1</b>
<b>7Eh</b>	<b>FEh</b>	<b>Vendor ID2</b>

**NOTE:**

1. Registers in bold are multiplexed between audio and modem functions
2. Registers in italics are for functions not supported by the ICH
3. Software should not try to access reserved registers
4. The ICH supports a modem codec as either primary or secondary, but does not support two modem codecs.

The Global Control (GLOB\_CNT) and Global Status (GLOB\_STA) registers are aliased to the same global registers in the audio and modem I/O space. Therefore, a read/write to these registers in either audio or modem I/O space affects the same physical register.

These registers exist in I/O space and reside in the AC '97 controller. The two channels (Modem in and Modem out) each have their own set of Bus Mastering registers. The following register descriptions apply to both channels. The naming prefix convention used is as follows:

MI = Modem in channel

MO = Modem out channel



**Table 13-3. Modem Registers**

Offset	Mnemonic	Name	Default	Access
00h	MI_BDBAR	Modem In Buffer Descriptor List Base Address Register	00000000h	R/W
04h	MI_CIV	Modem In Current Index Value Register	00h	R
05h	MI_LVI	Modem In Last Valid Index Register	00h	R/W
06h	MI_SR	Modem In Status Register	0001h	R/W
08h	MI_PICB	Modem In Position In Current Buffer Register	00h	R
0Ah	MI_PIV	Modem In Prefetch Index Value Register	00h	RO
0Bh	MI_CR	Modem In Control Register	00h	R/W
10h	MO_BDBAR	Modem Out Buffer Descriptor List Base Address Register	00000000h	R/W
14h	MO_CIV	Modem Out Current Index Value Register	00h	RO
15h	MO_LVI	Modem Out Last Valid Register	00h	R/W
16h	MO_SR	Modem Out Status Register	0001h	R/W
18h	MI_PICB	Modem In Position In Current Buffer Register	00h	RO
1Ah	MO_PIV	Modem Out Prefetched Index Register	00h	RO
1Bh	MO_CR	Modem Out Control Register	00h	R/W
3Ch	GLOB_CNT	Global Control	00000000h	R/W
40h	GLOB_STA	Global Status	00000000h	RO
44h	ACC_SEMA	Codec Write Semaphore Register	00h	R/W

**NOTE:**

1. MI = Modem in channel; MO = Modem out channel

### 13.2.1 x\_BDBAR—Buffer Descriptor List Base Address Register

I/O Address: MBAR + 00h (MIBDBAR), Attribute: R/W  
 MBAR + 10h (MOBDBAR)  
 Default Value: 00000000h Size: 32 bits  
 Lockable: No Power Well: Core

Bit	Description
31:3	<b>Buffer Descriptor List Base address[31:3].</b> These bits represent address bits 31:3. The entries should be aligned on 8 byte boundaries.
2:0	Hardwired to 0.

### 13.2.2 x\_CIV—Current Index Value Register

I/O Address: MBAR + 04h (MICIV), Attribute: RO  
 MBAR + 14h (MOCIV),  
 Default Value: 00h Size: 8 bits  
 Lockable: No Power Well: Core

Bit	Description
7:5	Hardwired to 0.
4:0	<b>Current Index Value [4:0]</b> These bits represent which buffer descriptor within the list of 16 descriptors is being processed currently. As each descriptor is processed, this value is incremented.

### 13.2.3 x\_LVI—Last Valid Index Register

I/O Address: MBAR + 05h (MILVI), Attribute: R/W  
 MBAR + 15h (MOLVI)  
 Default Value: 00h Size: 8 bits  
 Power Well: Core

Bit	Description
7:5	Hardwired to 0
4:0	<b>Last Valid Index [4:0]</b> These bits indicate the last valid descriptor in the list. This value is updated by the software as it prepares new buffers and adds to the list.

## 13.2.4 x\_SR—Status Register

I/O Address:	MBAR + 06h (MISR), MBAR + 16h (MOSR)	Attribute:	R/W
Default Value:	0001h	Size:	16 bits
Lockable:	No	Power Well:	Core

Bit	Description
15:5	Reserved.
4	<p><b>FIFO error (FIFOE).</b> The ICH will set the FIFOE bit if the under-run or over-run occurs when there are more valid buffers to process.</p> <p>1 = FIFO error occurs. 0 = Cleared by writing a "1" to this bit position.</p> <p><b>NOTES:</b></p> <ol style="list-style-type: none"> <li><b>Modem in:</b> FIFO error indicates a FIFO overrun. The FIFO pointers do not increment, the incoming data is not written into the FIFO and thus, is lost.</li> <li><b>Modem out:</b> FIFO error indicates a FIFO under-run. The sample transmitted in this case should be the last valid sample.</li> </ol>
3	<p><b>Buffer Completion Interrupt Status (BCIS)</b></p> <p>1 = Set by the hardware after the last sample of a buffer has been processed, AND if the Interrupt on Completion (IOC) bit is set in the command byte of the buffer descriptor. Remains active until software clears bit. 0 = Cleared by writing a "1" to this bit position.</p>
2	<p><b>Last Valid Buffer Completion Interrupt (LVBCI)</b></p> <p>1 = Set by hardware when last valid buffer has been processed. It remains active until cleared by software. This bit indicates the occurrence of the event signified by the last valid buffer being processed. Thus, this is an event status bit that can be cleared by software once this event has been recognized. This event will cause an interrupt if the enable bit in the Control Register is set. The interrupt is cleared when the software clears this bit.</p> <p>In the case of transmits (PCM out, Modem out) this bit is set, after the last valid buffer has been fetched (not after transmitting it) While in the case of Receives, this bit is set after the data for the last buffer has been written to memory.</p> <p>0 = cleared by writing a "1" to this bit position</p>
1	<p><b>Current Equals Last Valid (CELV)</b></p> <p>1 = Current Index is equal to the value in the Last Valid Index Register, AND the buffer pointed to by the CIV has been processed (i.e., after the last valid buffer has been processed). This bit is very similar to bit 2, except, this bit reflects the state rather than the event. This bit reflects the state of the controller and remains set until the controller exits this state.</p> <p>0 = Hardware clears when controller exists state (i.e., until a new value is written to the LVI register).</p>
0	<p><b>DMA Controller Halted (DCH)</b></p> <p>1 = DMA controller is halted. This could happen because of the Start/Stop bit being cleared, or it could happen once the controller has processed the last valid buffer (in which case it sets bit 1 and halts).</p>

### 13.2.5 x\_PICB—Position In Current Buffer Register

I/O Address: MBAR + 08h (MIPICB), Attribute: RO  
 MBAR + 18h (MOPICB),  
 Default Value: 0000h Size: 16 bits  
 Lockable: No Power Well: Core

Bit	Description
15:0	<b>Position In Current Buffer[15:0]</b> These bits represent the number of dwords left to be processed in the current buffer.

### 13.2.6 x\_PIV—Prefetch Index Value Register

I/O Address: MBAR + 0Ah (MIPIV), Attribute: RO  
 MBAR + 1Ah (MOPIV)  
 Default Value: 00h Size: 8 bits  
 Lockable: No Power Well: Core

Bit	Description
7:5	Hardwired to 0
4:0	<b>Prefetched Index value [4:0]</b> These bits represent which buffer descriptor in the list has been prefetched.

## 13.2.7 x\_CR—Control Register

I/O Address:	MBAR + 0Bh (MICR), MBAR + 1Bh (MOCR)	Attribute:	R/W
Default Value:	00h	Size:	8 bits
Lockable:	No	Power Well:	Core

Bit	Description
7:5	Reserved.
4	<b>Interrupt On Completion Enable (IOCE).</b> This bit controls whether or not an interrupt occurs when a buffer completes with the IOC bit set in its descriptor.
3	<b>FIFO Error Interrupt Enable (FEIE).</b> This bit controls whether the occurrence of a FIFO error caused an interrupt. 1 = Enable. Interrupt will occur 0 = Disable. Bit 4 in the Status Register will be set, but the interrupt will not occur.
2	<b>Last Valid Buffer Interrupt Enable (LVBIE).</b> This bit controls whether the completion of the last valid buffer causes an interrupt. 1 = Enable. 0 = Disable. Bit 2 in the Status register will still be set, but the interrupt will not occur.
1	<b>Reset Registers(RR).</b> 1 = Contents of all registers to be reset, except the interrupt enable bits (bit 4,3,2 of this register). Software needs to set this bit. It must be set only when the Run/Pause bit is cleared. Setting it when the Run bit is set will cause undefined consequences. This bit is self-clearing (software needs not clear it). 0 = Removes reset condition.
0	<b>Run/Pause Bus master (RPBM).</b> 1=Run. Bus master operation starts. 0 = Pause bus master operation. This results in all state information being retained (i.e., master mode operation can be stopped and then resumed).

## 13.2.8 GLOB\_CNT—Global Control Register

I/O Address:	MBAR + 3Ch	Attribute:	R/W
Default Value:	00000000h	Size:	32 bits
Lockable:	No	Power Well:	Core

Bit	Description
31:6	Reserved.
5	<b>Secondary Resume Interrupt Enable</b> 1 = Enable an interrupt to occur when the secondary codec causes a resume event on the AC-link. 0 = Disable
4	<b>Primary Resume Interrupt Enable</b> 1 = Enable an interrupt to occur when the primary codec causes a resume event on the AC-link. 0 = Disable
3	<b>ACLINK Shut Off</b> 1 = Disable the AC-link signals (drive all AC'97 outputs low and turn off all AC'97 input buffer enables)
2	<b>AC'97 Warm Reset.</b> 1 = Writing a "1" to this bit causes a warm reset to occur on the AC-link. The warm reset awakens a suspended codec without clearing its internal registers. If software attempts to perform a warm reset while BIT_CLK is running, the write is ignored and the bit does not change. A warm reset can only occur in the absence of BIT_CLK. This bit is self-clearing (it clears itself after the reset has occurred and BIT_CLK has started).
1	<b>AC'97 Cold Reset#.</b> 0 = Writing a "0" to this bit causes a cold reset to occur throughout the AC'97 circuitry. All data in the codec is lost. Software needs to clear this bit no sooner than after 1usec has elapsed. This bit reflects the state of the AC_RST# pin. The ICH clears this bit to "0" upon entering S3/S4/S5 sleep states and PCIRST#.
0	<b>GPI Interrupt Enable (GIE).</b> This bit controls whether the change in status of any GPI causes an interrupt. 1 = The change on value of a GPI causes an interrupt and sets bit 0 of the Global Status Register. 0 = Bit 0 of the Global Status Register is set, but an interrupt is not generated.

## 13.2.9 GLOB\_STA—Global Status Register

I/O Address:	MBAR + 40h	Attribute:	R/W
Default Value:	00000000h	Size:	32 bits
Lockable:	No	Power Well:	Core

Bit	Description
31:18	Reserved.
17	<b>MD3:</b> Power down semaphore for Modem. This bit is used by software in conjunction with the AD3 bit to coordinate the entry of the two codecs into D3 state. This bit resides in the resume well and maintains context across power states.
16	<b>AD3:</b> Power down semaphore for Audio. This bit is used by software in conjunction with the MD3 bit to coordinate the entry of the two codecs into D3 state. This bit resides in the resume well and maintains context across power states.
15	<b>Read Completion Status:</b> This bit indicates the status of Codec read completions. 1 = A Codec read results in a time-out. This bit remains set until being cleared by software. 0 = A Codec read completes normally.
14	<b>Bit 3 of slot 12:</b> Display bit 3 of the most recent slot 12
13	<b>Bit 2 of slot 12:</b> Display bit 2 of the most recent slot 12
12	<b>Bit 1 of slot 12:</b> Display bit 1 of the most recent slot 12

Bit	Description
11	<b>Secondary Resume Interrupt.</b> This bit indicates that a resume event occurred on SIDN[1]. 1 = Resume event occurred 0 = Cleared by writing a 1 to this bit position.
10	<b>Primary Resume Interrupt.</b> This bit indicates that a resume event occurred on SDIN[0]. 1 = Resume event occurred 0 = Cleared by writing a 1 to this bit position.
9	<b>Secondary Codec Ready (SCR).</b> Reflects the state of the codec ready bit in SDIN[1]. Bus masters ignore the condition of the codec ready bits. Software must check this bit before starting the bus masters. Once the codec is "ready", it must never go "not ready" spontaneously.
8	<b>Primary Codec Ready (PCR).</b> Reflects the state of the codec ready bit in SDIN[0]. Bus masters ignore the condition of the codec ready bits. Software must check this bit before starting the bus masters. Once the codec is "ready", it must never go "not ready" spontaneously.
7	<b>Mic In Interrupt (MINT).</b> This bit indicates that one of the Mic in channel interrupts occurred. 1 = Interrupt occurred. 0 = When the specific interrupt is cleared, this bit is cleared.
6	<b>PCM Out Interrupt (POINT).</b> This bit indicates that one of the PCM out channel interrupts occurred. 1 = Interrupt occurred. 0 = When the specific interrupt is cleared, this bit is cleared.
5	<b>PCM In Interrupt (PIINT).</b> This bit indicates that one of the PCM in channel interrupts occurred. 1 = Interrupt occurred. 0 = When the specific interrupt is cleared, this bit is cleared.
4:3	Reserved
2	<b>Modem Out Interrupt (MOINT).</b> This bit indicates that one of the modem out channel interrupts occurred. 1 = Interrupt occurred. 0 = When the specific interrupt is cleared, this bit is cleared.
1	<b>Modem In Interrupt (MIINT).</b> This bit indicates that one of the modem in channel interrupts occurred. 1 = Interrupt occurred. 0 = When the specific interrupt is cleared, this is cleared.
0	<b>GPI Status Change Interrupt (GSCI).</b> This bit is set whenever bit 0 of slot 12 is set. This happens when the value of any of the GPIOs currently defined as inputs changes. 1 = Input changed. 0 = Cleared by writing a 1 to this bit position.

**NOTE:** On reads from a codec, the controller will give the codec a maximum of 4 frames to respond. If no response is received, the controller returns a dummy read completion to the processor (with all F's on the data) and also sets the Read Completion Status bit in the Global Status Register.

### 13.2.10 CAS—Codec Access Semaphore Register

I/O Address:	NABMBAR + 44h	Attribute:	R/W
Default Value:	00h	Size:	8 bits
Lockable:	No	Power Well:	Core

Bit	Description
7:1	Reserved.
0	<b>Codec Access Semaphore (CAS):</b> This bit is read by software to check whether a codec access is currently in progress. 1 = The act of reading this register sets this bit to 1. The driver that read this bit can then perform an I/O access. Once the access is completed, hardware automatically clears this bit. 0 = No access in progress.





# Electrical Characteristics

# 14

## 14.1 Absolute Maximum Ratings

Case Temperature under Bias . . . . .	0°C to +100°C
Storage Temperature . . . . .	-55°C to +150°C
Voltage on Any 3.3V Pin with Respect to Ground . . . . .	-0.5V to V <sub>CC</sub> + 0.3V
Voltage on Any 5V Tolerant Pin with Respect to Ground (V <sub>REF</sub> =5V). . . . .	-0.5V to V <sub>REF</sub> + 0.3V
1.8V Supply Voltage with Respect to V <sub>SS</sub> . . . . .	-0.3V to V <sub>REF</sub> + 2.7V
3.3V Supply Voltage with Respect to V <sub>SS</sub> . . . . .	-0.5V to +4.6V
5.0V Supply Voltage (V <sub>ref</sub> ) with Respect to V <sub>SS</sub> . . . . .	-0.5V to +5.5V
Maximum Power Dissipation . . . . .	1.4 W

**Warning:** Stressing the device beyond the "Absolute Maximum Ratings" may cause permanent damage. These are stress ratings only. Operating beyond the "Operating Conditions" is not recommended and extended exposure beyond "Operating Conditions" may affect reliability.

## 14.2 Thermal Characteristics

The ICH is designed for operation at case temperatures between 0°C and 100°C.

## 14.3 D.C. Characteristics

Table 14-1. D.C. Current Characteristics

Functional Operating Range (V <sub>REF</sub> = 5V ±5%, V <sub>CC</sub> = 3.3v ±0.3V, T <sub>CASE</sub> = 0°C to +100°C)					
Symbol	Parameter	Typ	Max	Unit	Notes
I <sub>CC</sub> (1.8V)	Hub Interface Supply Current		55	mA	
I <sub>CC</sub> (3V)	V <sub>CC</sub> Supply Current		300	mA	
I <sub>CC</sub> (SUS)-ON	Suspend Well Supply Current - Full On	30	100	mA	
I <sub>CC</sub> (SUS)-STR	Suspend Well Supply Current - Suspend to RAM	0.8	2	mA	
I <sub>CC</sub> (SUS)-STD/Soft	Suspend Well Supply Current - Suspend to Disk or Soft Off	0.8	2	mA	
I <sub>CC</sub> (RTC)	Battery Standby Current	1.7	3.5	uA	1

**NOTES:**

1. I<sub>CC</sub>(RTC) data is taken with V<sub>CC</sub>(RTC) at 3.0V while the system is in a mechanical off (G3) state at room temperature. As V<sub>CC</sub>(RTC) drops the current will also drop. At 2.5V the typical I<sub>CC</sub>(RTC) is 1.4uA.

Table 14-2. DC Characteristic Input Signal Association

Symbol	Associated Signals
VIH1/VIL1 (5V Tolerant)	<b>ICH (82801AA) and ICH0 (82801AB):</b>
	<b>IDE Signals:</b> PDD[15:0], SDD[15:0], PDDREQ, PIORDY, SDDREQ, SIORDY
	<b>PCI Signals:</b> AD[31:0], C/BE[3:0]#, GPIO1/REQB#, GPIO0/REQA#, REQ[3:0]#, PAR, DEVSEL#, STOP#, TRDY#, SERR#, IRDY#, FRAME#
	<b>Interrupt Signals:</b> IRQ[15:14], SERIRQ, PIRQ[A:D]#
	<b>Legacy Signals:</b> RCIN#, A20GATE
	<b>ICH (82801AA) Only:</b>
	<b>PCI Signals:</b> GPIO1/REQB#/REQ5#, REQ[4]#, GPIO7/PERR#
	<b>ICH0 (82801AB) Only:</b>
	<b>General Purpose Signals:</b> GPIO[7], GPIO1/REQB#
VIH2/VIL2	<b>Processor Signals:</b> FERR#, APICD[1:0]
VIH3/VIL3	<b>PCI Signals:</b> PME#
	<b>Power Signals:</b> PWRBTN#
	<b>LPC Signals:</b> GPIO8/LDRQ1#, LAD[3:0], LDRQ0#
	<b>Power Management Signals:</b> RSMRST#, RTCRST#, RI#, PWROK, THRM#
	<b>SMBus Signals:</b> GPIO11/SMBALERT#
	<b>System Management Signals:</b> GPIO10/INTRUDER#
	<b>USB Signals:</b> OC[1:0]#
<b>General Purpose Signals:</b> GPIO[13:12]	
VIH4/VIL4	<b>AC'97 Signals:</b> GPIO9/AC_SDIN1, AC_SDIN0, AC_BITCLK
VIL5/VIH5	<b>ICH (82801AA) and ICH0 (82801AB):</b>
	<b>SMBus Signals:</b> SMBCLK, SMBDATA
	<b>ICH (82801AA) Only:</b>
	<b>SMBus Signals:</b> GPIO27/ALERTCLK, GPIO28/ALERTDATA
	<b>ICH0 (82801AB) Only:</b>
	<b>General Purpose Signals:</b> GPIO[28:27]
VIL7/VIH7	<b>General Purpose Signals:</b> GPIO[6:5]

**Table 14-3. DC Input Characteristics**

Symbol	Parameter	Min	Max	Unit	Notes
V <sub>IL1</sub>	Input Low Voltage	-0.5	0.8	V	
V <sub>IH1</sub>	Input High Voltage	2	V <sub>cc</sub> +0.5	V	
V <sub>IL2</sub>	Input Low Voltage	-0.5	0.6	V	
V <sub>IH2</sub>	Input High Voltage	1.2	V <sub>cc</sub> +0.5	V	
V <sub>IL3</sub>	Input Low Voltage	-0.5	0.3V <sub>cc</sub>	V	
V <sub>IH3</sub>	Input High Voltage	0.5V <sub>cc</sub>	V <sub>cc</sub> +0.5	V	
V <sub>IL4</sub>	Input Low Voltage	-0.5	0.35V <sub>cc</sub>	V	
V <sub>IH4</sub>	Input High Voltage	0.65V <sub>cc</sub>	V <sub>cc</sub> +0.5	V	
V <sub>IL5</sub>	Input Low Voltage	-0.5	0.6	V	
V <sub>IH5</sub>	Input High Voltage	1.4	V <sub>cc</sub> +0.3	V	
V <sub>IL7</sub>	Input Low Voltage	-0.5	0.8	V	
V <sub>IH7</sub>	Input High Voltage	2	V <sub>cc</sub> +0.5	V	

**Table 14-4. DC Characteristic Output Signal Association (Sheet 1 of 2)**

Symbol	Associated Signals
VOH1/VOL1	<b>IDE Signals:</b> PDD[15:0], PDIOV#, PDIOR#, PDDACK#, PDA[2:0], PDCS1#, PDCS3#, SDD[15:0], SDDACK#, SDIOV#, SDIOR#, SDA[2:0], SDCS1#, SDCS3#
VOH2/VOL2	<b>Processor Signals:</b> SMI#, IGNNE#, INIT#, STPCLK#, INTR, A20M#, NMI, CPUSLP# <b>General Purpose Signals:</b> GPIO[23]
VOH3/VOL3	<b>ICH (82801AA) and ICH0 (82801AB):</b> <b>PCI Signals:</b> GPIO[17]/GNTB#, GPIO[16]/GNTA# <b>LPC Signals:</b> LAD[3:0], LFRAME# <b>AC'97 Signals:</b> AC_RST#, AC_SDOUT, AC_SYNC
	<b>ICH (82801AA) Only:</b> <b>PCI Signals:</b> GPIO17/GNTB#/GNT5#
VOH5/VOL5	<b>ICH (82801AA) and ICH0 (82801AB):</b> <b>PCI Signals:</b> AD[31:0], C/BE[3:0]#, PCIRST#, GNT[4:0]#, PAR, DEVSEL#, PLOCK#, STOP#, TRDY#, IRDY#, FRAME# <b>Interrupt Signals:</b> SERIRQ, PIRQ[A:D]#
	<b>ICH (82801AA) Only:</b> <b>PCI Signals:</b> GPIO[7]/PERR#
	<b>ICH0 (82801AB) Only:</b> <b>General Purpose Signals:</b> GPIO[7]

Table 14-4. DC Characteristic Output Signal Association (Sheet 2 of 2)

Symbol	Associated Signals
VOL6/VOH6	<b>ICH (82801AA) and ICH0 (82801AB):</b> <b>SMBus Signals:</b> SMBCLK, SMBDATA <b>Power Management Signals:</b> GPIO24/SLP_S3#, GPIO25/SUSSTAT#, SLP_S5# <b>General Purpose Signals:</b> GPIO[22:21] <b>Other Signals:</b> SPKR
	<b>ICH (82801AA) Only:</b> <b>SMBus Signals:</b> GPIO27/ALERTCLK, GPIO28/ALERTDATA <b>Power Management Signals:</b> GPIO26/SUSCLK
	<b>ICH0 (82801AB) Only:</b> <b>General Purpose Signals:</b> GPIO[28:26]
VOL7/VOH7	<b>USB Signals:</b> USBPO[P:N], USBP1[P:N]
VOL9/VOH9	<b>Interrupt Signals:</b> APICD[1:0]

Table 14-5. DC Output Characteristics

Symbol	Parameter	Min	Max	Unit	Notes
VOL1	Output Low Voltage	—	0.5	V	IOL1=4 mA
VOH1	Output High Voltage	2.4	—	V	I <sub>OH1</sub> =-1 mA
VOL2	Output Low Voltage	—	0.45	V	IOL2=16 mA
VOH2	Output High Voltage	—	2.625	V	Note 1
VOL3	Output Low Voltage	—	0.1V <sub>cc</sub>	V	IOL3=1.5 mA
VOH3	Output High Voltage	0.9V <sub>cc</sub>	—	V	I <sub>OH3</sub> =-0.5 mA
VOL5	Output Low Voltage	—	0.55	V	IOL5=6 mA
VOH5	Output High Voltage	2.4	—	V	I <sub>OH5</sub> =-2 mA, Note 2
VOL6	Output Low Voltage	—	0.4	V	IOL6=3 mA
VOH6	Output High Voltage	V <sub>cc</sub> - 0.5	—	V	I <sub>OH6</sub> =-2 mA, Note 3
VOL7	Output Low Voltage	—	0.4	V	IOL7=5 mA
VOH7	Output High Voltage	V <sub>cc</sub> - 0.5	—	V	I <sub>OH7</sub> =-2 mA
VOL9	Output Low Voltage	—	.45	V	IOL9=14 mA
VOH9	Output High Voltage	—	2.625	V	Note 1

**NOTES:**

- All output signals associated with VOH2 are open drain drivers, which is why they have no VOH minimum specification. These signals must have external pull up resistors to a voltage no greater than VOH2 maximum
- Interrupt Signals in VOH5 are open drain drivers, and the VOH min spec does not apply. These signals must have external pull up resistors.
- SMBUS Signals in VOH6 are open drain drivers, and the VOH min spec does not apply. These signals must have external pull up resistors.

Table 14-6. Other DC Characteristics

Symbol	Parameter	Min	Max	Unit	Notes
VREF	ICH reference Voltage	4.75	5.25	V	
V <sub>cc</sub>	Core Well Voltage	3.0	3.6	V	
V <sub>cc1.8</sub>	Hub Link Voltage	1.7	1.9	V	
HUBREF	Hub Link Reference Voltage	0.48(V <sub>cc1.8</sub> )	0.52(V <sub>cc1.8</sub> )	V	
V <sub>cc</sub> (RTC)	Battery Voltage	2.0	3.6	V	
V <sub>cc</sub> (SUS)	Suspend Well Voltage	3.0	3.6	V	
V <sub>IT+</sub>	Hysteresis Input Rising Threshold	1.9	—	V	Applied to USBP0[P:N] USBP1[P:N]
V <sub>IT-</sub>	Hysteresis Input Falling Threshold	—	1.3	V	Applied to USBP0[P:N] USBP1[P:N]
V <sub>DI</sub>	Differential Input Sensitivity	0.2	—	V	{(USBP <sub>x+</sub> ,USBP <sub>x-</sub> )
V <sub>CM</sub>	Differential Common Mode Range	0.8	2.5	V	Includes V <sub>DI</sub>
V <sub>CRS</sub>	Output Signal Crossover Voltage	1.3	2.0	V	
V <sub>SE</sub>	Single Ended Rcvr Threshold	0.8	2.0	V	
I <sub>LI1</sub>	Input Leakage Current		±1	uA	
I <sub>LI2</sub>	Hi-Z State Data Line Leakage	-10	+10	uA	(0 V < V <sub>IN</sub> < 3.3V)
C <sub>IN</sub>	Input Capacitance - Hublink Input Capacitance - All Other	—	8 12	pF	F <sub>C</sub> = 1 MHz
C <sub>OUT</sub>	Output Capacitance	—	12	pF	F <sub>C</sub> = 1 MHz
C <sub>I/O</sub>	I/O Capacitance	—	12	pF	F <sub>C</sub> = 1 MHz
C <sub>L</sub>	Crystal Load Capacitance	7.5	15	pF	

## 14.4 A.C. Characteristics

Table 14-7. Clock Timings

Functional Operating Range ( $V_{REF} = 5V \pm 5\%$ , $V_{CC} = 3.3V \pm 0.3V$ , $T_{CASE} = 0^{\circ}C$ to $+100^{\circ}C$ )						
Sym	Parameter	Min	Max	Unit	Notes	Figure
<b>PCI Clock (PCICLK)</b>						
t1	Period	30	33.3	ns		15-2
t2	High Time	12	—	ns		15-2
t3	Low Time	12	—	ns		15-2
t4	Rise Time	—	3	ns		15-2
t5	Fall Time	—	3	ns		15-2
<b>Oscillator Clock (OSC)</b>						
t6	Period	67	70	ns		15-2
t7	High Time	20	—			15-2
t8	Low time	20	—	ns		15-2
<b>USB Clock (USBCLK)</b>						
f <sub>clk48</sub>	Operating Frequency	48	—	MHz		
t9	Frequency Tolerance	—	2500	ppm	1	
t10	High Time	7	—	ns		15-2
t11	Low time	7	—	ns		15-2
t12	Rise Time	—	1.2	ns		15-2
t13	Fall Time	—	1.2	ns		15-2
<b>Suspend Clock (SUSCLK) (ICH 82801AA Only)</b>						
f <sub>susclk</sub>	Operating Frequency	32		KHz	5	
t14	High time	10		us	5	15-2
t15	Low Time	10		us	5	15-2
<b>SMBus Clock (SMBCLK)</b>						
f <sub>smb</sub>	Operating Frequency	10	16	KHz		
t18	High time	4.0	50	us	2	15-17
t19	Low time	4.7	—	us		15-17
t20	Rise time	—	1000	ns		15-17
t21	Fall time	—	300	ns		15-17
<b>I/O APIC Clock (APICCLK)</b>						
f <sub>ioap</sub>	Operating Frequency	14.32	16.67	MHz		
t22	High time	12	36	ns		15-2
t23	Low time	12	36	ns		15-2
t24	Rise time	1.0	5.0	ns		15-2

Table 14-7. Clock Timings

Functional Operating Range (VREF = 5V ±5%, VCC = 3.3V ±0.3V, TCASE = 0°C to +100°C)						
Sym	Parameter	Min	Max	Unit	Notes	Figure
t25	Fall time	1.0	5.0	ns		15-2
<b>AC'97 Clock (BITCLK)</b>						
fac97	Operating Frequency	12.288		MHz		
t26	Output Jitter	—	750	ps		
t27	High time	32.56	48.84	ns		15-2
t28	Low time	32.56	48.84	ns		15-2
t29	Rise time	2.0	6.0	ns	4	15-2
t30	Fall time	2.0	6.0	ns	4	15-2
<b>Hub Interface Clock</b>						
fhI	Operating Frequency	66		MHz		
t31	High time	6.0		ns		15-2
t32	Low time	6.0		ns		15-2
t33	Rise time	0.25	1.2	ns		15-2
t34	Fall time	0.25	1.2	ns		15-2
t35	CLK66 leads PCICLK	1.0	4.5	ns	3	

**NOTES:**

1. The USBCLK is a 48 MHz that expects a 40/60% duty cycle.
2. The maximum high time (t18 Max) provide a simple guaranteed method for devices to detect bus idle conditions.
3. This specification includes pin-to-pin skew from the clock generator as well as board skew.
4. BITCLK Rise and Fall times are measured from 10%VDD and 90%VDD.
5. For the ICH (82801AA) SUSCLK duty cycle can range from 30% minimum to 70% maximum.

Table 14-8. PCI Interface Timing

Functional Operating Range ( $V_{REF} = 5V \pm 5\%$ , $V_{CC} = 3.3v \pm 0.3V$ , $T_{CASE} = 0^{\circ}C$ to $+100^{\circ}C$ )						
Sym	Parameter	Min	Max	Units	Notes	Figure
t40	AD[31:0] Valid Delay	2	11	ns	Min: 0pF Max: 50pF	15-3
t41	AD[31:0] Setup Time to PCICLK Rising	7	—	ns		15-4
t42	AD[31:0] Hold Time from PCICLK Rising	0	—	ns		15-4
t43	C/BE[3:0]#, FRAME#, TRDY#, IRDY#, STOP#, PAR, PERR#, PLOCK#, DEVSEL# Valid Delay from PCICLK Rising Note: PERR# is for the ICH 82801AA Only.	2	11	ns	Min: 0pF Max: 50pF	15-3
t44	C/BE[3:0]#, FRAME#, TRDY#, IRDY#, STOP#, PAR, PERR#, PLOCK#, IDSEL, DEVSEL# Output Enable Delay from PCICLK Rising Note: PERR# is for the ICH 82801AA Only.	2	—	ns		15-7
t45	C/BE[3:0]#, FRAME#, TRDY#, IRDY#, STOP#, PERR#, PLOCK#, DEVSEL#, GNT[A:B]# Float Delay from PCICLK Rising Note: PERR# is for the ICH 82801AA Only.	2	28	ns		15-5
t46	C/BE[3:0]#, FRAME#, TRDY#, IRDY#, STOP#, SERR#, PERR#, DEVSEL#, Setup Time to PCICLK Rising Note: PERR# is for the ICH 82801AA Only.	7	—	ns		15-4
t47	C/BE[3:0]#, FRAME#, TRDY#, IRDY#, STOP#, SERR#, PERR#, DEVSEL#, REQ[A:B]# Hold Time from PCLKIN Rising Note: PERR# is for the ICH 82801AA Only.	0	—	ns		15-4
t48	PCIRST# Low Pulse Width	1	—	ms		15-6
t49	GNT[A:B]#, GNT[5:0]# Valid Delay from PCICLK Rising Note: GNT[5:4]# is for the ICH 82801AA Only.	2	12	ns		
t50	REQ[A:B]#, REQ[5:0]# Setup Timer to PCICLK Rising Note: REQ[5:4]# is for the ICH 82801AA Only.	12		ns		



**Table 14-9. IDE PIO and Multi-word DMA Mode Timing**

Functional Operating Range ( $V_{REF} = 5V \pm 5\%$ , $V_{CC} = 3.3V \pm 0.3V$ , $T_{CASE} = 0^{\circ}C$ to $+100^{\circ}C$ )						
Sym	Parameter	Min	Max	Units	Notes	Figure
t60	PDIOR#/PDIOW#/SDIOR#/SDIOW# Active From CLK66 Rising	2	20	ns		15-8,15-9
t61	PDIOR#/PDIOW#/SDIOR#/SDIOW# Inactive From CLK66 Rising	2	20	ns		15-8,15-9
t62	PDA[2:0]/SDA[2:0] Valid Delay From CLK66 Rising	2	30	ns		15-8
t63	PDCS1#/SDCS1#, PDCS3#/SDCS3# Active From CLK66 Rising	2	30	ns		15-8
t64	PDCS1#/SDCS1#, PDCS3#/SDCS3# Inactive From CLK66 Rising	2	30	ns		15-8
t65	PDDACK#/SDDACK# Active From CLK66 Rising	2	20	ns		15-9
t66	PDDACK#/SDDACK# Inactive From CLK66 Rising	2	20	ns		
t67	PDDREQ/SDDREQ Setup Time to CLK66 Rising	7	—	ns		15-9
t68	PDDREQ/SDDREQ Hold From CLK66 Rising	7	—	ns		15-9
t69	PDD[15:0]/SDD[15:0] Valid Delay From CLK66 Rising	2	30	ns		15-8,15-9
t70	PDD[15:0]/SDD[15:0] Setup Time to CLK66 Rising	10	—	ns		15-8,15-9
t71	PDD[15:0]/SDD[15:0] Hold From CLK66 Rising	7	—	ns		15-8,15-9
t72	PIORDY/SIORDY Setup Time to CLK66 Rising	7	—	ns	1	15-8
t73	PIORDY/SIORDY Hold From CLK66 Rising	7	—	ns	1	15-8
t74	PIORDY/SIORDY Inactive Pulse Width	48	—	ns		15-8
t75	PDIOR#/PDIOW#/SDIOR#/SDIOW# Pulse Width Low	—	—	—	2,3	15-8,15-9
t76	PDIOR#/PDIOW#/SDIOR#/SDIOW# Pulse Width High	—	—	—	3,4	15-8,15-9

**NOTES:**

1. IORDY is internally synchronized. This timing is to guarantee recognition on the next clock.
2. PIORDY sample point from DIOx# assertion and PDIOx# active pulse width is programmable from 2–5 PCI clocks when the drive mode is Mode 2 or greater. Refer to the ISP field in the IDE Timing Register
3. PIORDY sample point from DIOx# assertion, PDIOx# active pulse width and PDIOx# inactive pulse width cycle time is the compatible timing when the drive mode is Mode 0/1. Refer to the TIM0/1 field in the IDE Timing register.
4. PDIOx# inactive pulse width is programmable from 1-4 PCI clocks when the drive mode is Mode 2 or greater. Refer to the RCT field in the IDE Timing Register.

Table 14-10. Ultra DMA Timing (Mode 0, Mode 1, Mode 2)

Functional Operating Range ( $V_{REF} = 5V \pm 5\%$ , $V_{CC} = 3.3V(0.3V)$ $T_{CASE} = 0^{\circ}C$ to $+100^{\circ}C$ )									
Sym	Parameter (1)	Mode 0		Mode 1		Mode 2		Units	Figure
		Min	Max	Min	Max	Min	Max		
t80	Sustained Cycle Time (T2cyc <sub>typ</sub> )	240		160		120		ns	
t81	Cycle Time (T <sub>cyc</sub> )	112	—	73	—	54	—	ns	15-11
t82	Two Cycle Time (T2cyc)	230	—	154	—	115	—	ns	15-11
t83	Data Setup Time (T <sub>ds</sub> )	15	—	10	—	7	—	ns	15-11
t84	Data Hold Time (T <sub>dh</sub> )	5	—	5	—	5	—	ns	15-11
t85	Data Valid Setup Time (T <sub>dvs</sub> )	70	—	48	—	30	—	ns	15-11
t86	Data Valid Hold Time (T <sub>dvh</sub> )	6	—	6	—	6	—	ns	15-11
t87	Limited Interlock Time (T <sub>li</sub> )	0	150	0	150	0	150	ns	15-13
t88	Interlock Time w/ Minimum (T <sub>mli</sub> )	20	—	20	—	20	—	ns	15-13
t89	Envelope Time (T <sub>env</sub> )	20	70	20	70	20	70	ns	15-10
t90	Ready to Pause Time (T <sub>rp</sub> )	160	—	125	—	100	—	ns	15-12
t91	DMACK setup/hold Time (T <sub>ack</sub> )	20	—	20	—	20	—	ns	15-10, 15-13

**NOTE:**

1. The specification symbols in parentheses correspond to the Ultra DMA specification name.

Table 14-11. Ultra DMA Timing (Mode 3, Mode 4) (ICH 82801AA Only)

Functional Operating Range ( $V_{REF} = 5V \pm 5\%$ , $V_{CC} = 3.3V(0.3V)$ $T_{CASE} = 0^{\circ}C$ to $+100^{\circ}C$ )							
Sym	Parameter (1)	Mode 3 (ns)		Mode 4 (ns)		Units	Figure
		Min	Max	Min	Max		
t80	Sustained Cycle Time (T2cyc <sub>typ</sub> )	90		60		ns	
t81	Cycle Time (T <sub>cyc</sub> ) (2)	39	—	25	—	ns	15-11
t82	Two Cycle Time (T2cyc)	86	—	57	—	ns	15-11
t83	Data Setup Time (T <sub>ds</sub> )	7	—	5	—	ns	15-11
t84	Data Hold Time (T <sub>dh</sub> )	5	—	5	—	ns	15-11
t85	Data Valid Setup Time (T <sub>dvs</sub> )	20	—	6	—	ns	15-11
t86	Data Valid Hold Time (T <sub>dvh</sub> )	6	—	6	—	ns	15-11
t87	Limited Interlock Time (T <sub>li</sub> )	0	100	0	100	ns	15-13
t88	Interlock Time w/ Minimum (T <sub>mli</sub> )	20	—	20	—	ns	15-13
t89	Envelope Time (T <sub>env</sub> )	20	55	20	55	ns	15-10
t90	Ready to Pause Time (T <sub>rp</sub> )	100	—	100	—	ns	15-12
t91	DMACK setup/hold Time (T <sub>ack</sub> )	20	—	20	—	ns	15-10, 15-13

Table 14-12. Universal Serial Bus Timing

Functional Operating Range ( $V_{REF} = 5V \pm 5\%$ , $V_{CC} = 3.3V \pm 0.3V$ , $T_{CASE} = 0^{\circ}C$ to $+100^{\circ}C$ )						
Sym	Parameter	Min	Max	Units	Notes	Fig
<b>Full Speed Source (Note 7)</b>						
t100	USBPx+, USBPx- Driver Rise Time	4	20	ns	1, $C_L = 50$ pF	15-14
t101	USBPx+, USBPx- Driver Fall Time	4	20	ns	1, $C_L = 50$ pF	15-14
t102	Source Differential Driver Jitter					
	To Next Transition	-2	2	ns	2, 3	15-15
	For Paired Transitions	-1	1	ns		
t103	Source EOP Width	160	175	ns	4	15-16
t104	Differential to SE0 Transition Skew	-2	5	ns	5	
t105	Receiver Data Jitter Tolerance					
	To Next Transition	-20	20	ns	3	15-15
	For Paired Transitions	-10	10	ns		
t106	EOP Width: Must reject as EOP	40		ns	4	15-16
	EOP Width: Must accept as EOP	85		ns		
t107	Differential to SE0 Transition Skew	-2	5	ns	5	
<b>Low Speed Source (Note 8)</b>						
t108	USBPx+, USBPx- Driver Rise Time	75	300	ns	1, 6 $C_L = 50$ pF $C_L = 350$ pF	15-14
t109	USBPx+, USBPx- Driver Fall Time	75	300	ns	1, 6 $C_L = 50$ pF $C_L = 350$ pF	15-14
t110	Source Differential Driver Jitter					
	To Next Transition	-2	2	ns	2, 3	15-15
	For Paired Transitions	-1	1	ns		
t111	Source EOP Width	160	175	ns	4	15-16
t112	Differential to SE0 Transition Skew	-2	5	ns	5	
t113	Receiver Data Jitter Tolerance					
	To Next Transition	-20	20	ns	3	15-15
	For Paired Transitions	-10	10	ns		
t114	EOP Width: Must reject as EOP	40		ns	4	15-16
	EOP Width: Must accept as EOP	85		ns		
t115	Differential to SE0 Transition Skew	-2	5	ns	5	

**NOTES:**

1. Driver output resistance under steady state drive is specified at 28 ohms at minimum and 43 ohms at maximum
2. Timing difference between the differential data signals
3. Measured at crossover point of differential data signals
4. Measured at 50% swing point of data signals
5. Measured from last crossover point to 50% swing point of data line at leading edge of EOP
6. Measured from 10% to 90% of the data signal
7. Full Speed Data Rate has minimum of 11.97 Mbps and maximum of 12.03 Mbps
8. Low Speed Data Rate has a minimum of 1.48 Mbps and a maximum of 1.52 Mbps

Table 14-13. IOAPIC Bus Timing

Functional Operating Range ( $V_{REF} = 5V \pm 5\%$ , $V_{CC} = 3.3V \pm 0.3V$ $T_{CASE} = 0^{\circ}C$ to $+100^{\circ}C$ )						
Sym	Parameter	Min	Max	Units	Notes	Fig
t120	APICCD[1:0]# Valid Delay from APICCLK Rising	3.0	12.0	ns		15-3
t121	APICCD[1:0]# Setup Time to APICCLK Rising	8.5	—	ns		15-4
t122	APICCD[1:0]# Hold Time from APICCLK Rising	3.0	—	ns		15-4

Table 14-14. SMBus Timing

Functional Operating Range ( $V_{REF} = 5V \pm 5\%$ , $V_{CC} = 3.3V \pm 0.3V$ $T_{CASE} = 0^{\circ}C$ to $+100^{\circ}C$ )						
Sym	Parameter	Min	Max	Units	Notes	Fig
t130	Bus Free Time Between Stop and Start Condition	4.7	—	us		15-17
t131	Hold Time after (repeated) Start Condition. After this period, the first clock is generated.	4.0	—	us		15-17
t132	Repeated Start Condition Setup Time	4.7	—	us		15-17
t133	Stop Condition Setup Time	4.0	—	us		15-17
t134	Data Hold Time	300	—	ns		15-17
t135	Data Setup Time	250	—	ns		15-17
t136	Device Time Out	25	35	ms	1	
t137	Cumulative Clock Low Extend Time (slave device)	—	25	ms	2	15-18
t138	Cumulative Clock Low Extend Time (master device)	—	10	ms	3	15-18

**NOTES:**

1. A device will timeout when any clock low exceeds this value.
2. t137 is the cumulative time a slave device is allowed to extend the clock cycles in one message from the initial start to stop. If a slave device exceeds this time, it is expected to release both its clock and data lines and reset itself.
3. t138 is the cumulative time a master device is allowed to extend its clock cycles within each byte of a message as defined from start-to-ack, ack-to-ack or ack-to-stop.

Table 14-15. AC'97 Timing

Functional Operating Range ( $V_{REF} = 5V \pm 5\%$ , $V_{CC} = 3.3V \pm 0.3V$ $T_{CASE} = 0^{\circ}C$ to $+100^{\circ}C$ )						
Sym	Parameter	Min	Max	Units	Notes	Fig
t140	ACSDIN[0:1] Setup to Falling Edge of BITCLK	15	—	ns		
t141	ACSDIN[0:1] Hold from Falling Edge of BITCLK	5	—	ns		
t142	ACSYNC, ACSDOUT valid delay from rising edge of BITCLK	—	15	ns		15-3

**Table 14-16. LPC Timing**

Functional Operating Range ( $V_{REF} = 5V \pm 5\%$ , $V_{CC} = 3.3V \pm 0.3V$ $T_{CASE} = 0^{\circ}C$ to $+100^{\circ}C$ )						
Sym	Parameter	Min	Max	Units	Notes	Fig
t150	LAD[3:0] Valid Delay from PCICLK Rising	2	11	ns		15-3
t151	LAD[3:0] Output Enable Delay from PCICLK Rising	2	—	ns		15-7
t152	LAD[3:0] Float Delay from PCICLK Rising	—	28	ns		15-5
t153	LAD[3:0] Setup Time to PCICLK Rising	7	—	ns		15-4
t154	LAD[3:0] Hold Time from PCICLK Rising	0	—	ns		15-4
t155	LDRQ[1:0]# Setup Time to PCICLK Rising	12	—	ns		15-4
t156	LDRQ[1:0]# Hold Time from PCICLK Rising	0	—	ns		15-4
t157	LFRAME# Valid Delay from PCICLK Rising	2	12	ns		15-3

**Table 14-17. Miscellaneous Timings**

Functional Operating Range ( $V_{REF} = 5V \pm 5\%$ , $V_{CC} = 3.3V \pm 0.3V$ $T_{CASE} = 0^{\circ}C$ to $+100^{\circ}C$ )						
Sym	Parameter	Min	Max	Units	Notes	Fig
t160	SERIRQ Setup Time to PCICLK Rising	7	—	ns		15-4
t161	SERIRQ Hold Time from PCICLK Rising	0	—	ns		15-4
t162	RI#, EXTSMI#, GPI, USB Resume Pulse Width	2	—	RTCCLK		15-6
t163	SPKR Valid Delay from OSC Rising	—	200	ns		15-3
t164	SERR# Active to NMI Active	—	200	ns		
t165	IGNNE# Inactive from FERR# Inactive	—	230	ns		

**Table 14-18. Reset Timing**

Functional Operating Range ( $V_{REF} = 5V \pm 5\%$ , $V_{CC} = 3.3V \pm 0.3V$ $T_{CASE} = 0^{\circ}C$ to $+100^{\circ}C$ )						
Sym	Parameter	Min	Max	Units	Notes	Fig
t170	PCIRST# Driven Inactive After SUS_STAT# is Driven Inactive	—	1	RTCCLK		
t171	PCIRST# Active Pulse Width (via RC Register)	1	—	ms		
t172	PWROK Rise Time	—	10	ns		
t173	PWROK Active to PCIRST# Inactive	1	—	ms		
t175	AC_RST# Active Low Pulse Width	1	—	us		
t176	AC_RST# Inactive to BIT_CLK Startup Delay	162.8	—	ns		
t177	VccRTC Good to RTCRST# Inactive	10	20	ms		

Table 14-19. Power Management Timing

Functional Operating Range ( $V_{REF} = 5V \pm 5\%$ , $V_{CC} = 3.3V \pm 0.3V$ $T_{CASE} = 0^{\circ}C$ to $+100^{\circ}C$ )						
Sym	Parameter	Min	Max	Units	Notes	Fig
t180	VccSUS Good to SLP_S3#, SLP_S5#, and PCIRST# Active	—	50	ns		15-19
t181	VccSUS Good to RSMRST# Inactive	1	—	ms	6	15-19
t182	RSMRST# Inactive to SLP_S3#, SLP_S5#, SUS_STAT Inactive	1	4	RTCCLK		15-19
t183	VccSUS Good to Vcc3_3 (core) Good	0	—	ns	4	15-19
t184	STPCLK# Active to Stop Grant Acknowledge Cycle	N/A	N/A		2	15-20 15-21 15-22
t185	Stop Grant Acknowledge Cycle to CPUSLP# Active	8	—	PCICLK	4	15-20 15-21 15-22
t186	CPUSLP# Active to SUS_STAT# Active	—	1	RTCCLK	1	15-21 15-22
t187	SUS_STAT# Active to PCIRST# Active and CPUSLP# Invalid	2	3	RTCCLK	1	15-21 15-22
t188	PCIRST# Active to SLP_S3# Active	1	2	RTCCLK	1	15-21 15-22
t189	SLP_S3# Active to SLP_S5# Active	1	2	RTCCLK	1, 7	15-22
t190	SLP_S3# or SLP_S5# Active to PWROK Inactive	0	—	ns	4,5	15-21 15-22
t191	PWROK Inactive to Vcc3_3(core) Not Good	20	—	ns	6	15-21 15-22
t192	Wake Event to SLP_S3#, SLP_S5# Inactive	2	3	RTCCLK	1	15-21 15-22
t193	SLP_S3#, SLP_S5# Inactive to Vcc3_3(core) Good	0	—	ns	4	15-19 15-21 15-22
t194	Vcc3_3(core) Good to STPCLK# Active, CPUSLP# Invalid	—	50	ns		15-19 15-21 15-22
t195	Vcc3_3 (core) Good to PWROK Active	1	—	ms	6	15-19 15-21 15-22
t196	PWROK Active to PCIRST# Inactive	1.0	1.16	ms		15-19 15-21 15-22
t197	PCIRST# Inactive to STPCLK# Inactive	1	4	PCICLK		15-19 15-21 15-22
t198	SUS_STAT# Inactive to PCIRST# Inactive	2	—	RTCCLK	1	15-21 15-22
t199	CPUSLP# Inactive to STPCLK# Inactive	32	36	PCICLK		15-20
t200	Wake Event from S1 to CPUSLP# Inactive	—	4	PCICLK		15-20
t201	For the ICH (82801AA), RSMRST# inactive to SUSCLK Oscillating	1	2	RTCCLK		15-19
t203	VccSUS Removed to RSMRST# Low	—	25	ms		

**NOTES:**

1. These transitions are clocked off the internal RTC. One RTC clock is approximately 32us.
2. The ICH STPCLK# assertion triggers the processor to send a stop grant acknowledge cycle. The timing for this cycle getting to the ICH is dependant on the processor and the memory controller.
3. The ICH waits for the processor's stop grant acknowledge cycle before asserting processor SLP#. Asserting CPUSLP# is optional and is enabled by setting the ICH CPUSLP\_EN bit in the General PM Configuration 1 Register.
4. The ICH has no timing requirement for this transition. This transition depends on external implementation.
5. It is up to the system designer to determine if the SLP\_S3# and SLP\_S5# signals are used to control the power planes.
6. This specification must be guaranteed by external design.
7. If the transition to S5 is due to Power Button Override, SLP\_S3# and SLP\_S5# are asserted together following timing t188 (PCIRST# active to SLP\_S3# and SLP\_S5# active).

## 14.5 Timing Diagrams

Figure 14-1. Clock Timing

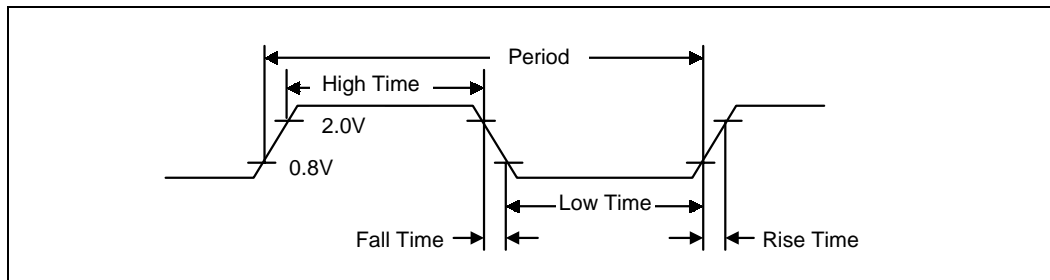


Figure 14-2. Valid Delay From Rising Clock Edge

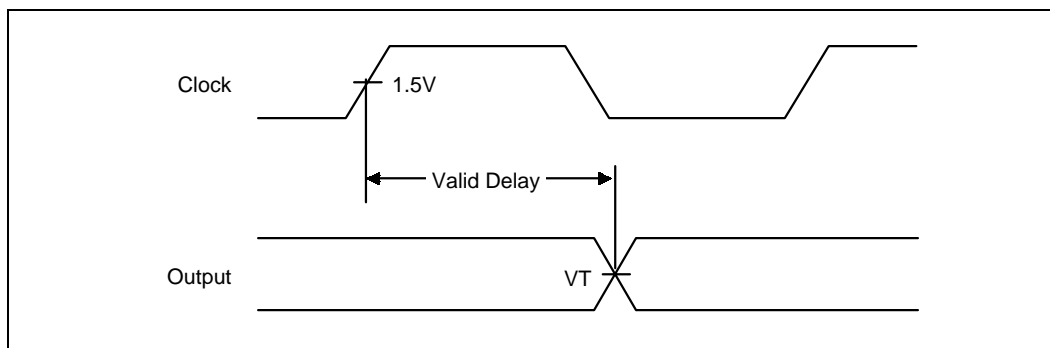


Figure 14-3. Setup And Hold Times

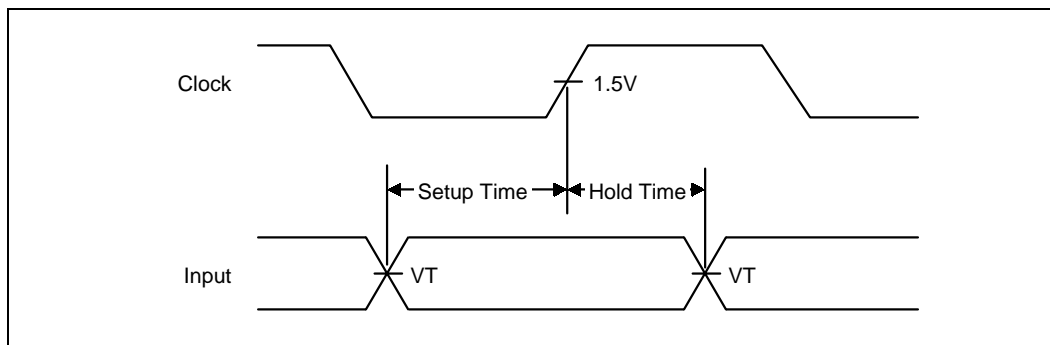


Figure 14-4. Float Delay

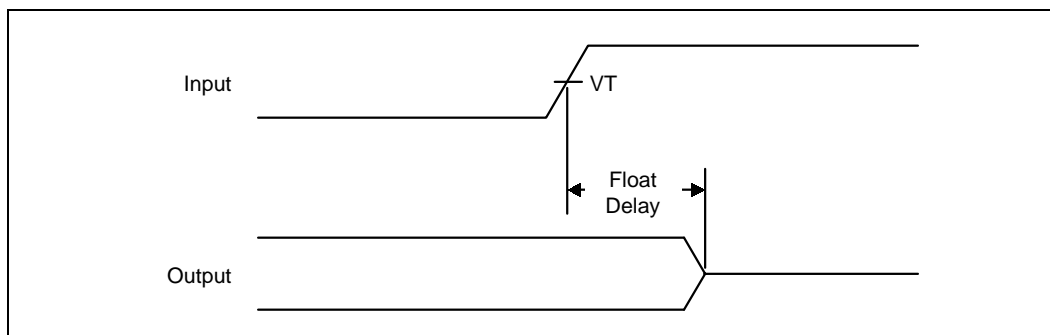




Figure 14-5. Pulse Width

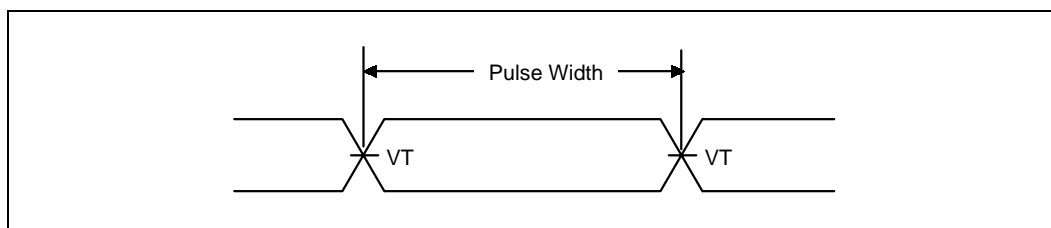


Figure 14-6. Output Enable Delay

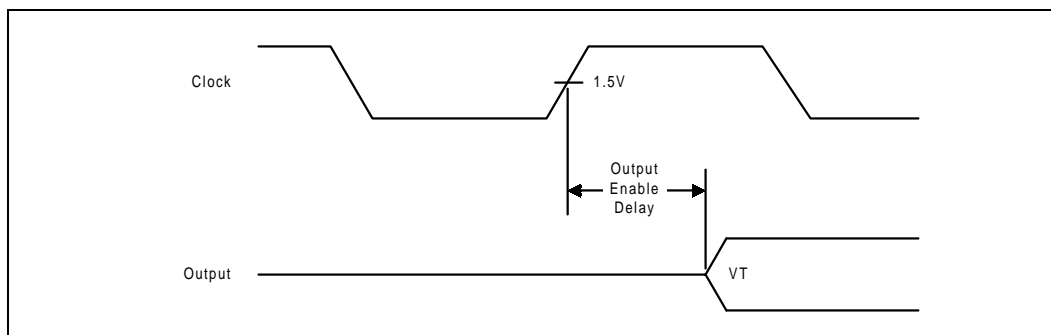


Figure 14-7. IDE PIO Mode

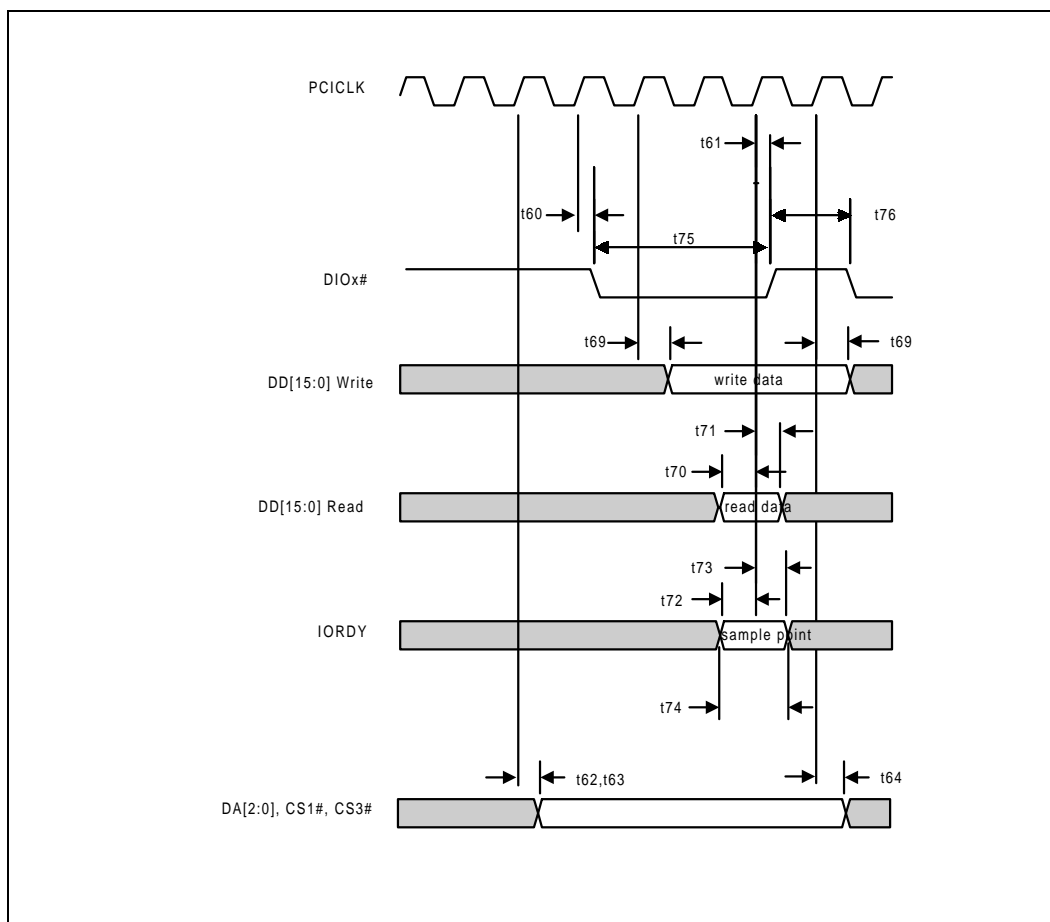


Figure 14-8. IDE Multi-word DMA

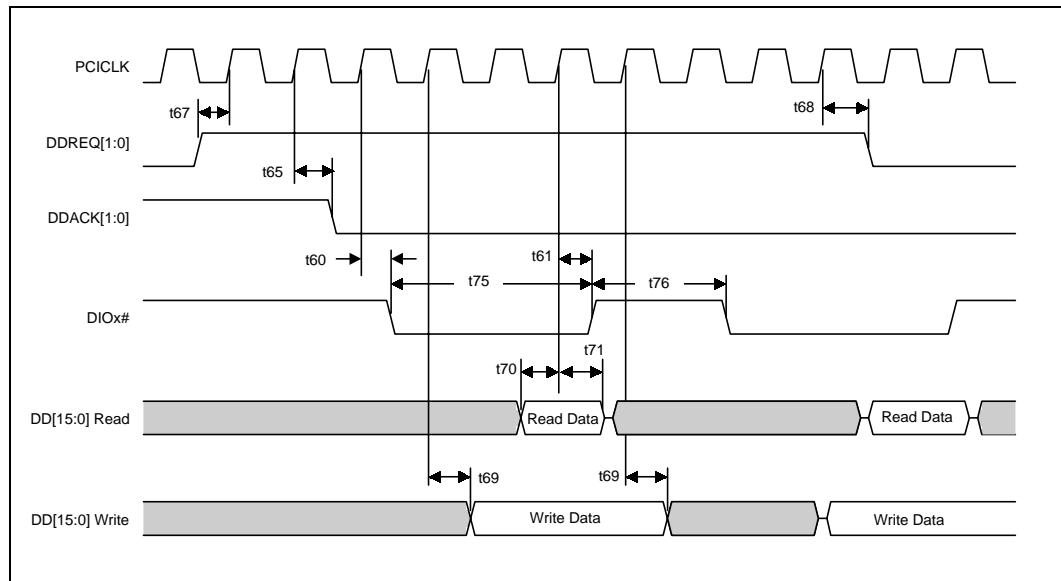
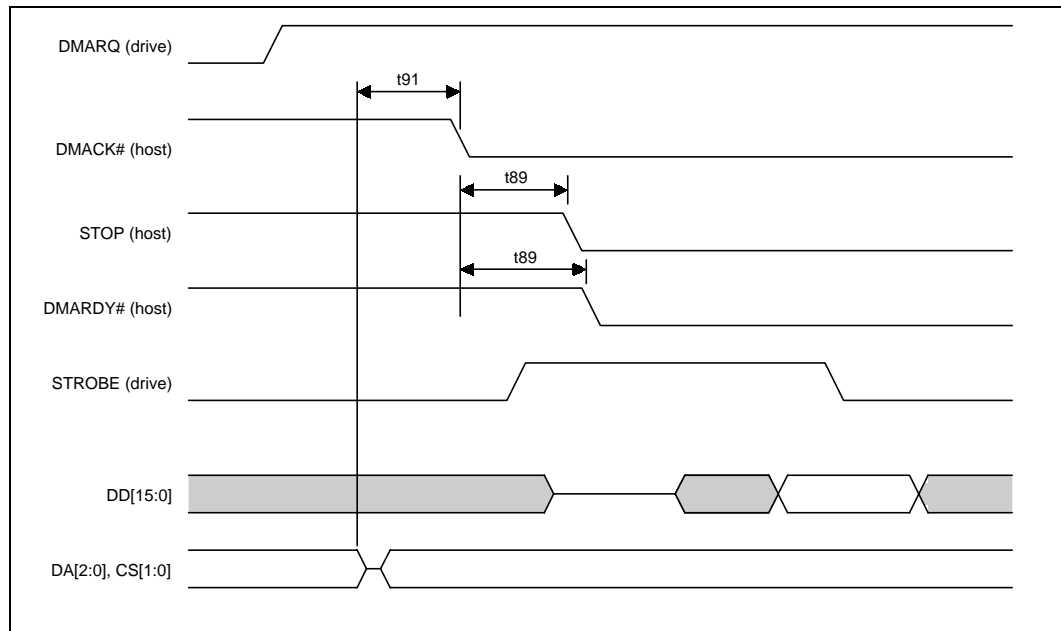
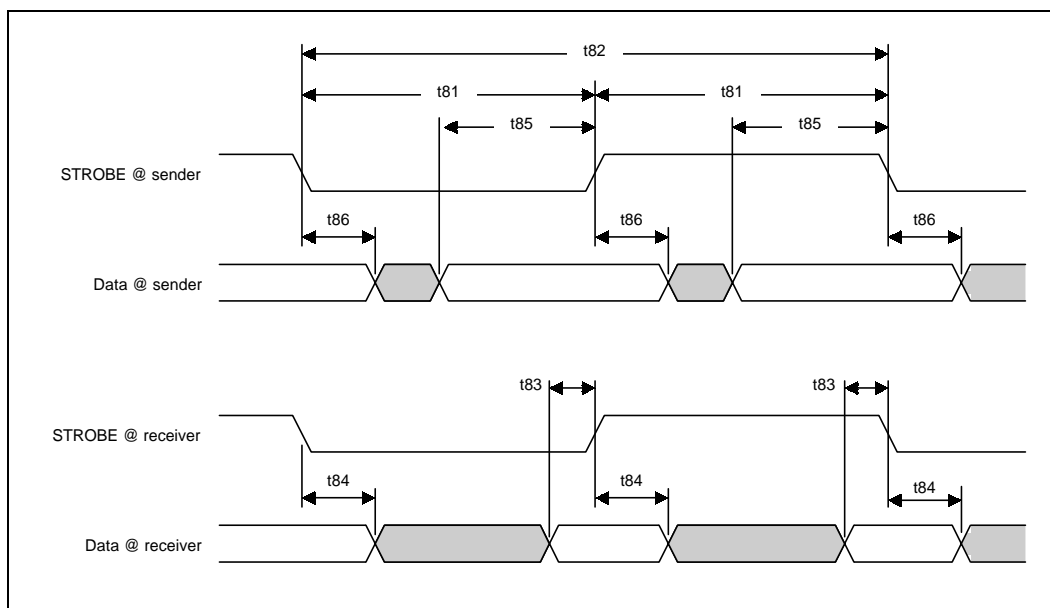


Figure 14-9. Ultra DMA Mode (Drive Initiating a Burst Read)



**Figure 14-10. Ultra DMA Mode (Sustained Burst)**



**Figure 14-11. Ultra DMA Mode (Pausing a DMA Burst)**

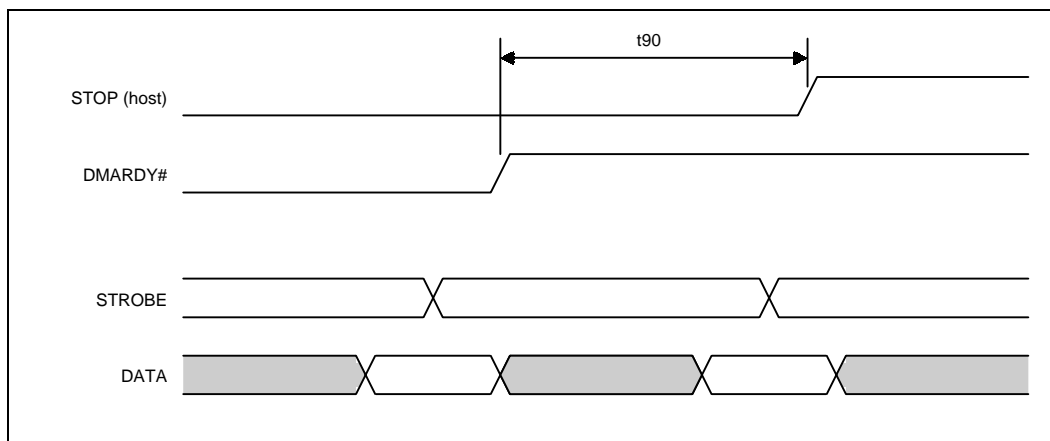


Figure 14-12. Ultra DMA Mode (Terminating a DMA Burst)

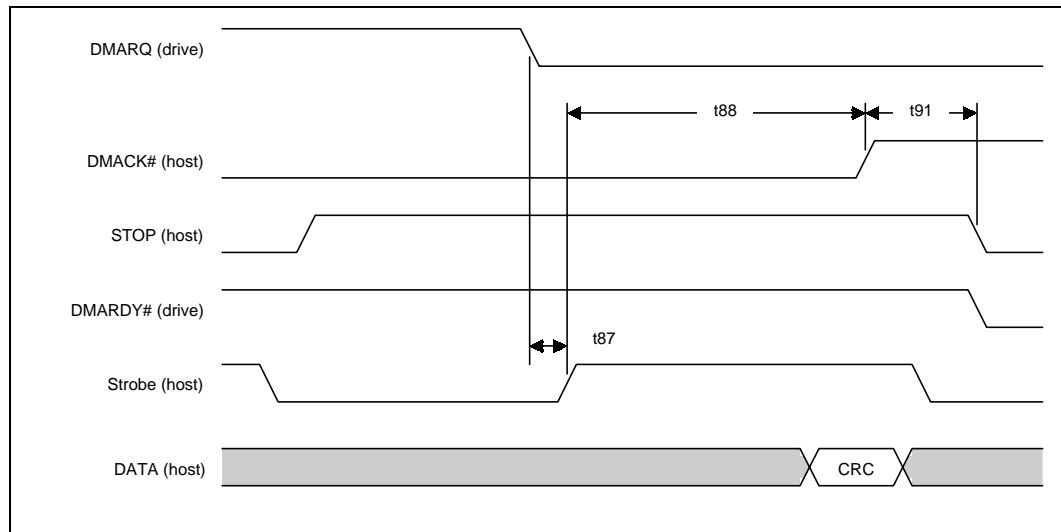


Figure 14-13. USB Rise and Fall Times

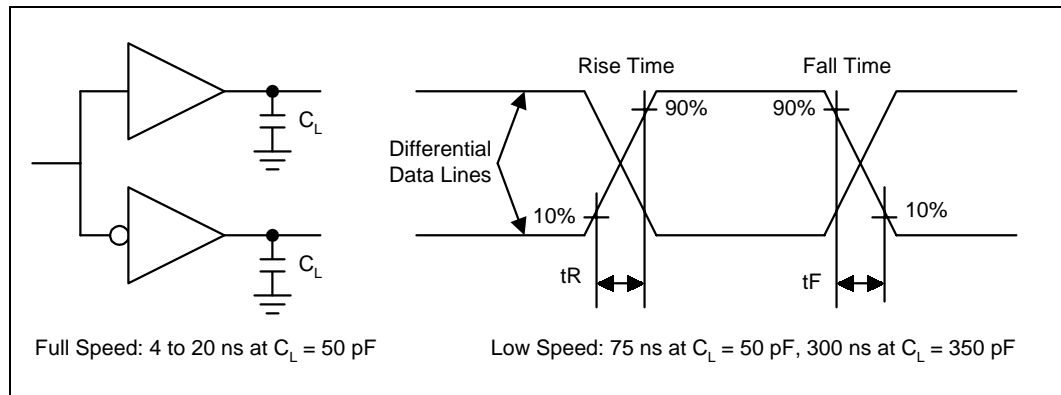


Figure 14-14. USB Jitter

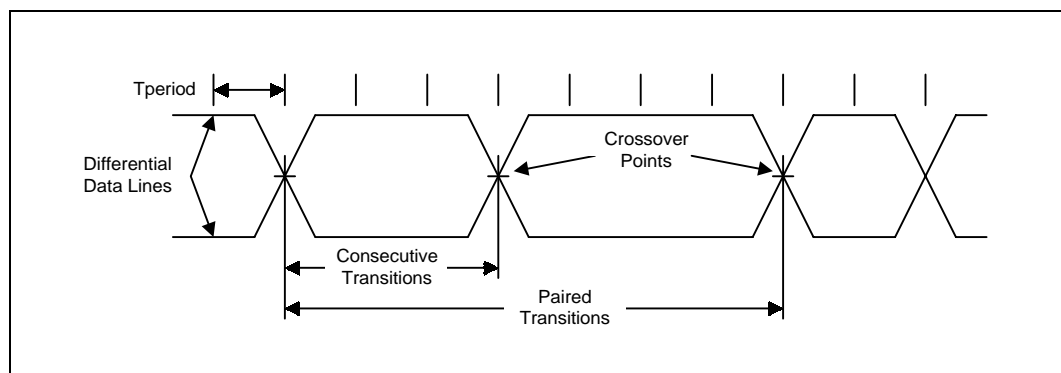


Figure 14-15. USB EOP Width

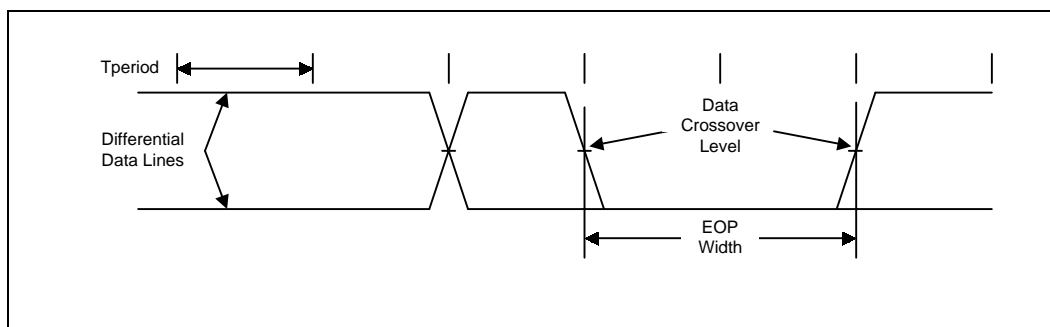


Figure 14-16. SMBus Transaction

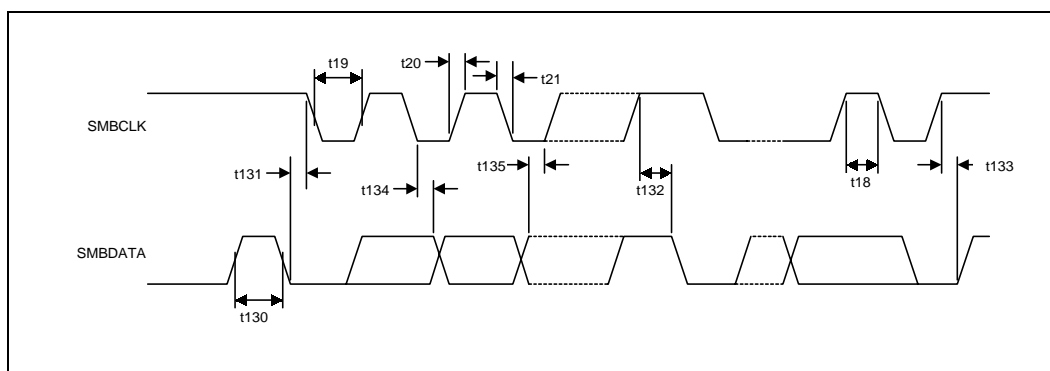


Figure 14-17. SMBus Timeout

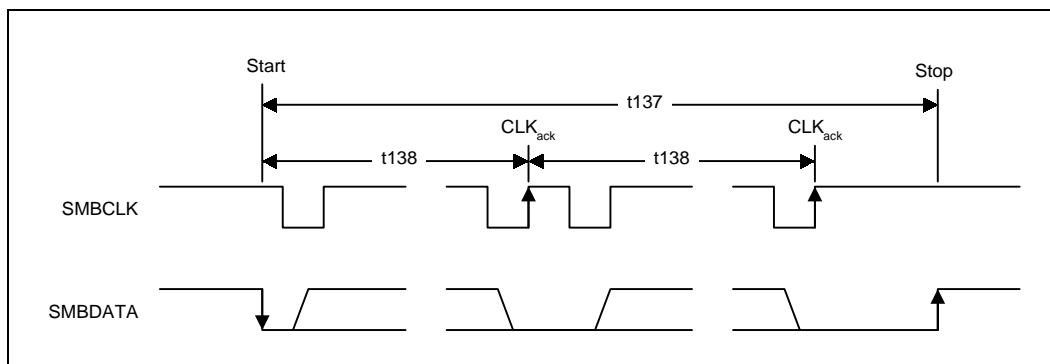


Figure 14-18. G3 (Mechanical Off) to S0 Timings

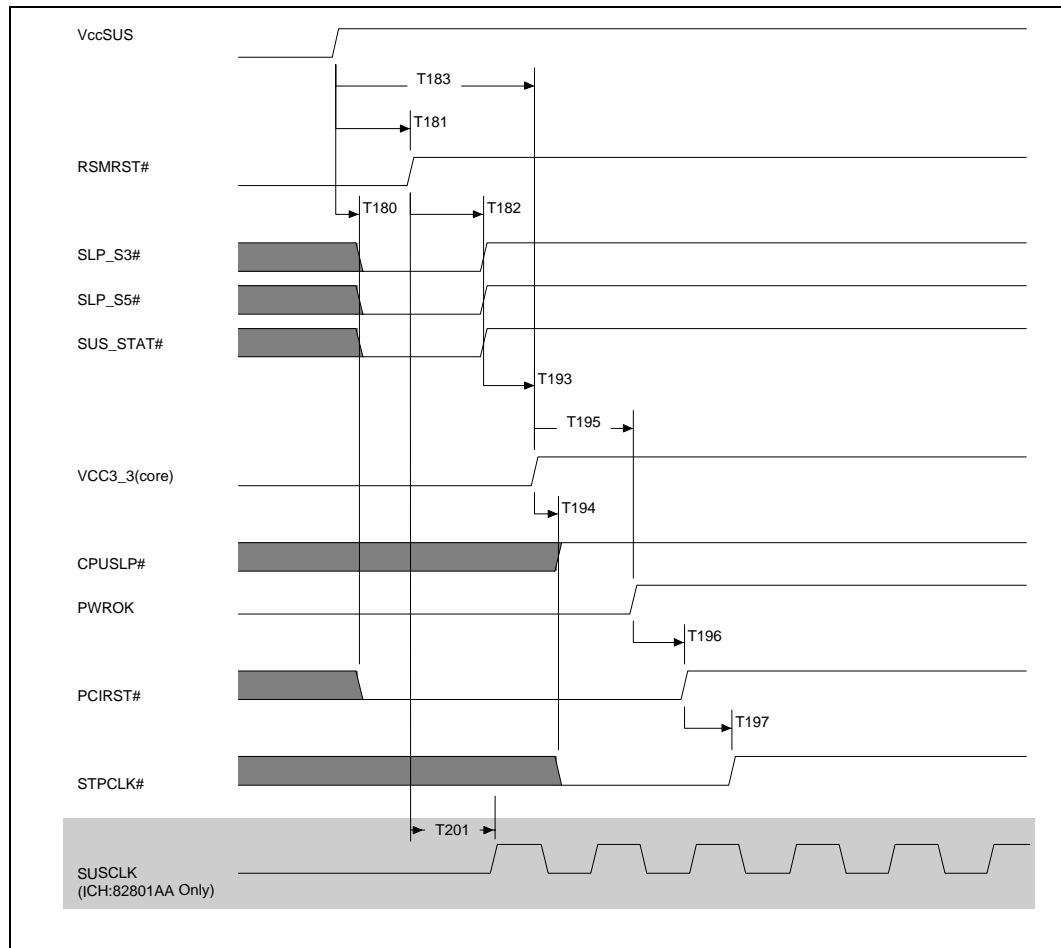


Figure 14-19. S0 to S1 to S0 Timings

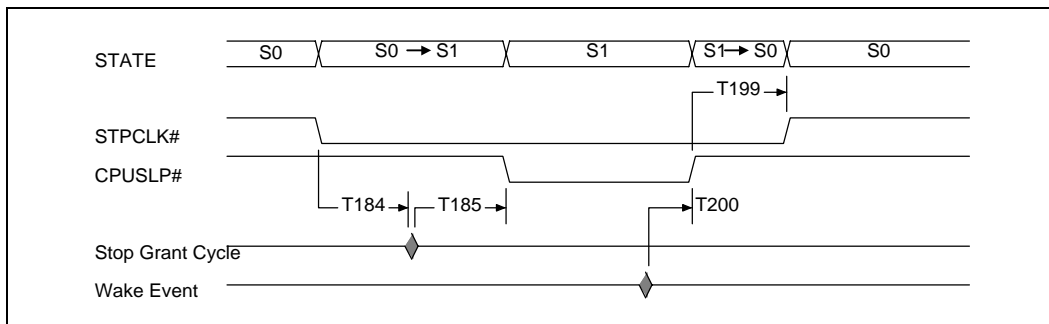


Figure 14-20. S0 to S3 to S0 Timings

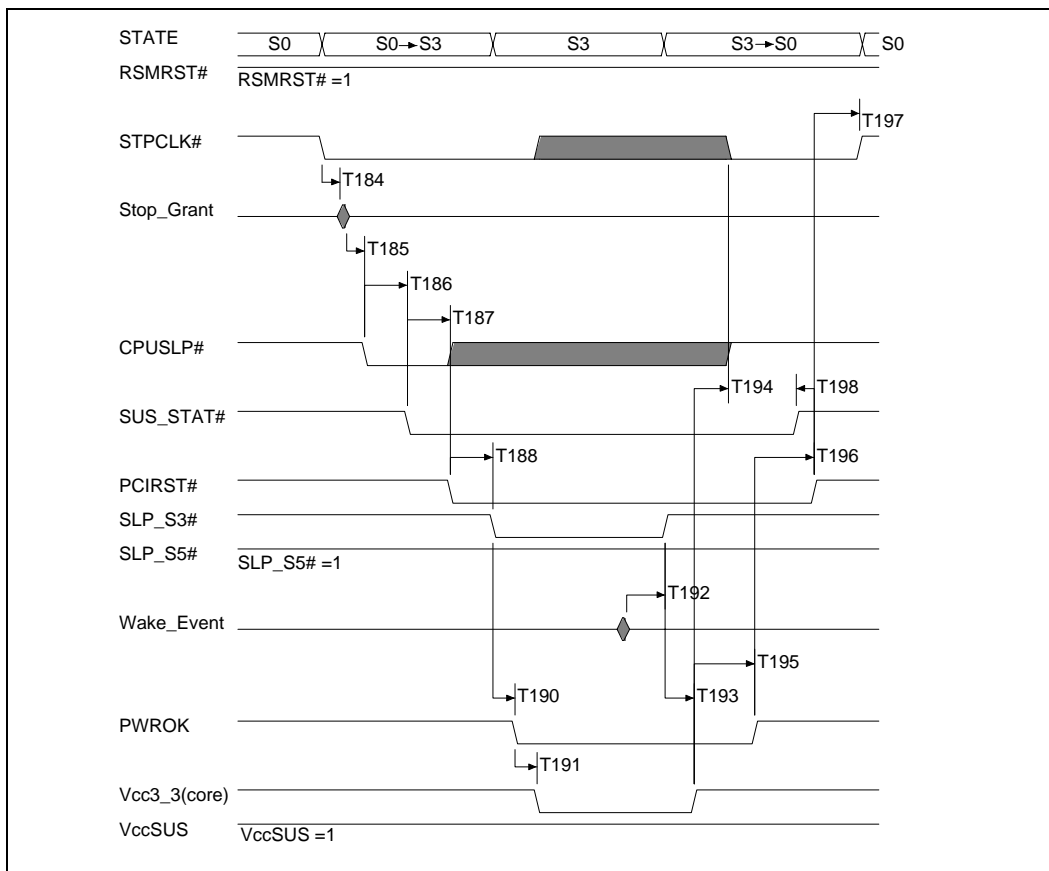
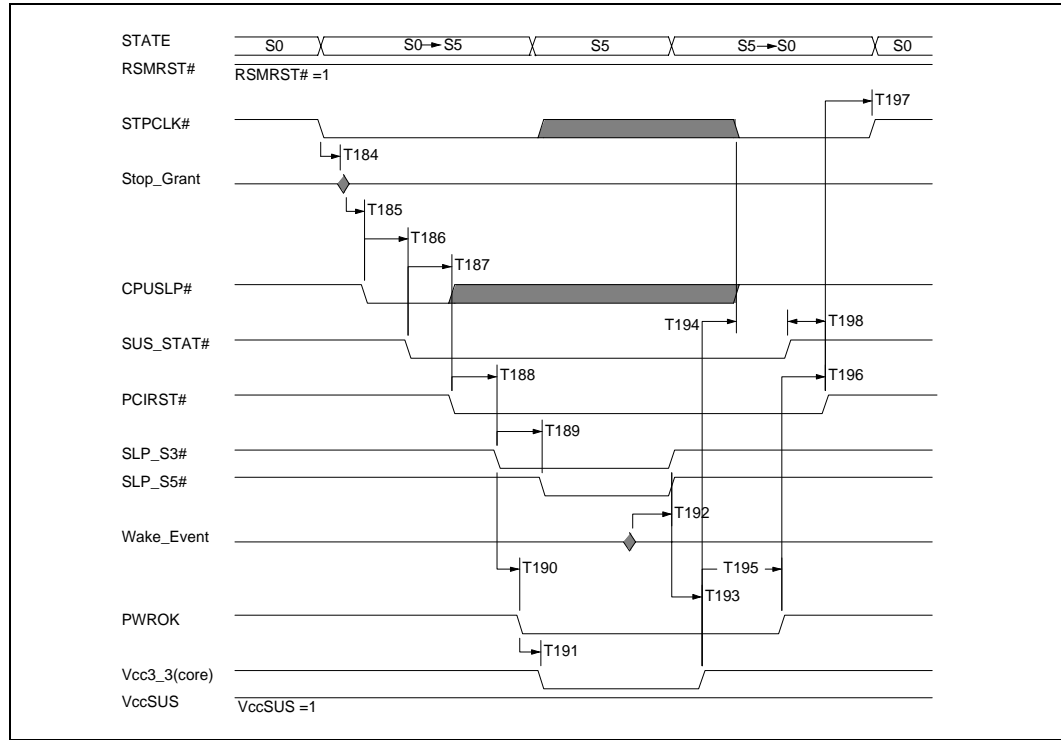




Figure 14-21. S0 to S5 to S0 Timings





# Pinout and Package Information 15

---

## 15.1 Pinout Information

Figure 15-1, Figure 15-2, and Table 15-1 show the ballout for both the ICH (82801AA) and ICH0 (82801AB).

Figure 15-1. ICH (82801AA) and ICH0 (82801AB) Ballout—Top View

	1	2	3	4	5	6	7	8	9
A	SERR#	IRDY#	C/BE2#	AD16	VCC3_3	AD22	AD26	AD27	PAR
B	AD13	C/BE1#	FRAME#	AD17	AD20	AD23	AD28	AD25	PLOCK#
C	AD12	AD11	AD15	TRDY#	AD18	AD19	AD31	VCC3_3	AD29
D	AD8	C/BE0#	AD9	AD14	STOP#	C/BE3#	AD24	AD30	DEVSEL#
E	AD6	AD7	VCC3_3	AD10	VCC3_3	VCC3_3	AD21		PERR# <sup>1</sup> / GPIO[7]
F	RSMRST#	AD2	AD3	AD4	AD5				
G	VCCRTC	AD0	NC	AD1	VCC3_3				
H	RTCRST#	VBIAS	RTCX1	RTCX2				VSS	VSS
J	SMBDATA	SMBCLK	PWROK	GPIO[10]/ INTRUDER#	PCIRST#			VSS	VSS
K	PME#	SLP_S5#	GPIO[24]/ SLP_S3#	SUSCLK <sup>1</sup> / GPIO[26]				VSS	VSS
L	VCCSUS	GPIO[13]	Ri#	GPIO[25]/ SUSSTAT#	GPIO[28]/ ALERTDATA <sup>1</sup>				
M	GPIO[11]/ SMBALERT#	PWRBTN#	OC0#	OC1#	GPIO[27]/ ALERTCLK <sup>1</sup>				
N	VCCSUS	USBP0N	GPIO[8]/ LDRQ1#	GPIO[12]	VCC3_3	GPIO[0]/ REQA#	PDD9		PDD1
P	USBP0P	USBP1N	GPIO[9]/ AC_SDIN1	GPIO[1]/ REQ[B]#/ REQ[5]# <sup>1</sup>	GPIO[16]/ GNT[A]#	VCC3_3	PDD8	PDD11	PDD13
R	USBP1P	VSS	AC_BITCLK	SERIRQ	GPIO[17]/ GNT[B]#/ GNT[5]# <sup>1</sup>	LAD0/ FWH0	PDD6	PDD4	PDD2
T	AC_RST#	AC_SDOUT	AC_SYNC	LAD3/ FWH3	LAD2/ FWH2	LDRQ0#	VCC3_3	PDD10	PDD12
U	AC_SDIN0	CLK48	SPKR	LFRAME#/ FWH4	LAD1/ FWH1	CLK14	PDD7	PDD5	PDD3

**NOTES:**

1. PERR#,REQ4#, REQ5#, GNT4#, GNT5#, SUSCLK, HL[11], ALERTCLK, and ALERTDATA are on the ICH (82801AA only). These signals are not on the ICH0 (82801AB).

The non-multiplexed signals in this group (REQ4#, GNT4#, and HL[11]) are Reserved on ICH0 (No Connect).

Figure 15-2. ICH (82801AA) and ICH0 (82801AB) Ballout—Top View

	10	11	12	13	14	15	16	17	
	PIRQB#	GNT[4]# <sup>1</sup>	GNT[2]#	GNT[0]#	REQ[0]#	RCIN#	CLK66	STPCLK#	A
	PIRQC#	REQ[4]# <sup>1</sup>	REQ[2]#	REQ[1]#	GPIO[21]	A20GATE	NMI	IGNNE#	B
	PIRQD#	VCC3_3	GNT[3]#	GNT[1]#	PCICLK	5VREF	APICCLK	APICD1	C
	PIRQA#	GPIO[5]	REQ[3]#	GPIO[22]	THRM#	GPIO[23]	VCC3_3	HL0	D
		GPIO[6]	CPUSLP#	VCC3_3	INTR	INIT#	APICD0	HL1	E
				A20M#	SMI#	FERR#	HL11 <sup>1</sup>	HL2	F
				VCC1_8	VSS	VCC1_8	HL3	HL_STB	G
VSS					VCC1_8	HL8	VCC1_8	HL_STB#	H
VSS				HUBREF	HL10	HL4	VCC1_8	HL9	J
VSS					VCC1_8	VSS	HL5	HL6	K
				SDA2	SDCS1#	VCC1_8	SDCS3#	HL7	L
				SDDACK#	VCC3_3	SDA1	SDA0	HLCOMP	M
		PIORDY	PDCS1#	VCC3_3	IRQ15	SDIOW#	SDIOR#	SIORDY	N
PDD15	IRQ14	PDA2	SDD6	SDD10	SDD0	SDD15	SDDREQ		P
PDD0	PDIOR#	PDA0	VCC3_3	SDD5	SDD13	SDD1	SDD14		R
PDD14	PDIOW#	PDA1	SDD7	SDD9	SDD11	VCC3_3	SDD2		T
VCC3_3	PDDREQ	PDDACK#	PDCS3#	SDD8	SDD4	SDD3	SDD12		U

**NOTES:**

1. PERR#,REQ4#, REQ5#, GNT4#, GNT5#, SUSCLK, HL[11], ALERTCLK, and ALERTDATA are on the ICH (82801AA only). These signals are not on the ICH0 (82801AB).  
The non-multiplexed signals in this group (REQ4#, GNT4, and HL[11]) are Reserved on ICH0 (No Connect).

**Table 15-1. Ballout list by Interface**

Ball Number	Signal Names
<b>PCI Interface</b>	
G2	AD0
G4	AD1
F2	AD2
F3	AD3
F4	AD4
F5	AD5
E1	AD6
E2	AD7
D1	AD8
D3	AD9
E4	AD10
C2	AD11
C1	AD12
B1	AD13
D4	AD14
C3	AD15
A4	AD16
B4	AD17
C5	AD18
C6	AD19
B5	AD20
E7	AD21
A6	AD22
B6	AD23
D7	AD24
B8	AD25
A7	AD26
A8	AD27
B7	AD28
C9	AD29
D8	AD30

**Table 15-1. Ballout list by Interface**

Ball Number	Signal Names
C7	AD31
D2	C/BE[0]#
B2	C/BE[1]#
A3	C/BE[2]#
D6	C/BE[3]#
D9	DEVSEL#
B3	FRAME#
A2	IRDY#
C4	TRDY#
D5	STOP#
A9	PAR
A14	REQ[0]#
B13	REQ[1]#
B12	REQ[2]#
D12	REQ[3]#
B11	REQ[4]# (ICH only)
P4	REQ[5]#/REQ[B]/GPIO[1] (REQ5# on ICH only)
A13	GNT[0]#
C13	GNT[1]#
A12	GNT[2]#
C12	GNT[3]#
A11	GNT[4]# (ICH only)
R5	GNT[5]#/GNT[B]/GPIO[17] (REQ5# on ICH only)
C14	PCICLK
J5	PCIRST#
B9	PLOCK#
A1	SERR#
E9	PERR# (ICH only)
K1	PME#
N6	REQ[A]#/GPIO[0]
P4	REQ[B]#/GPIO[1]
P5	GNT[A]#/GPIO[16]
R5	GNT[B]#/GPIO[17]

**Table 15-1. Ballout list by Interface**

Ball Number	Signal Names
<b>IDE Interface</b>	
R10	PDD[0]
N9	PDD[1]
R9	PDD[2]
U9	PDD[3]
R8	PDD[4]
U8	PDD[5]
R7	PDD[6]
U7	PDD[7]
P7	PDD[8]
N7	PDD[9]
T8	PDD[10]
P8	PDD[11]
T9	PDD[12]
P9	PDD[13]
T10	PDD[14]
P10	PDD[15]
P15	SDD[0]
R16	SDD[1]
T17	SDD[2]
U16	SDD[3]
U15	SDD[4]
R14	SDD[5]
P13	SDD[6]
T13	SDD[7]
U14	SDD[8]
T14	SDD[9]
P14	SDD[10]
T15	SDD[11]
U17	SDD[12]
R15	SDD[13]
R17	SDD[14]
P16	SDD[15]
N12	PDCS1#
L14	SDCS1#
U13	PDCS3#
L16	SDCS3#
R12	PDA[0]
T12	PDA[1]

**Table 15-1. Ballout list by Interface**

Ball Number	Signal Names
P12	PDA[2]
M16	SDA[0]
M15	SDA[1]
L13	SDA[2]
U11	PDDREQ
P17	SDDREQ
U12	PDDACK#
M13	SDDACK#
R11	PDIOR#
N16	SDIOR#
T11	PDIOW#
N15	SDIOW#
N11	PIORDY
N17	SIORDY
<b>CPU Interface</b>	
F13	A20M#
E12	CPUSLP#
F15	FERR#
B17	IGNNE#
E15	INIT#
E14	INTR
B16	NMI
F14	SMI#
A17	STPCLK#
A15	RCIN#
B15	A20GATE
<b>SMBUS Interface</b>	
J1	SMBDATA
J2	SMBCLK
M1	SMBALERT#/GPIO[11]
<b>System Management Interface</b>	
J4	INTRUDER#/GPIO[10]
M5	ALERTCLK/GPIO[27] (ALERTCLK on ICH only)
L5	ALERTDATA/GPIO[28] (ALERTDATA on ICH only)

Table 15-1. Ballout list by Interface

Ball Number	Signal Names
<b>Interrupt Interface</b>	
R4	SERIRQ
D10	PIRQ[A]#
A10	PIRQ[B]#
B10	PIRQ[C]#
C10	PIRQ[D]#
P11	IRQ[14]
N14	IRQ[15]
E16	APICD[0]
C17	APICD[1]
C16	APICCLK
<b>Real Time Clock Interface</b>	
H3	RTCX1
H4	RTCX2
<b>AC'97 LINK</b>	
T1	AC_RST#
T3	AC_SYNC
R3	AC_BIT_CLK
T2	AC_SDOUT
U1	AC_SDIN[0]
P3	AC_SDIN[1]/GPIO[9]
<b>LPC/FWH Interface</b>	
R6	LAD[0]/FWH[0]
U5	LAD[1]/FWH[1]
T5	LAD[2]/FWH[2]
T4	LAD[3]/FWH[3]
U4	LFRAME#/FWH[4]
T6	LDRQ[0]#
N3	LDRQ[1]#/GPIO[8]
<b>USB Interface</b>	
R1	USB1P
P2	USBP1N
P1	USBP0P
N2	USBP0N
M3	OC[0]#
M4	OC[1]#

Table 15-1. Ballout list by Interface

Ball Number	Signal Names
<b>Power Management</b>	
D14	THRM#
K3	SLP_S3#/GPIO[24]
K2	SLP_S5#
J3	PWROK
M2	PWRBTN#
L3	RI#
F1	RSMRST#
L4	SUS_STAT#/GPIO[25]
K4	SUSCLK/GPIO[26] (SUSCLK is on ICH only)
<b>Other Clocks</b>	
U6	CLK14
U2	CLK48
A16	CLK66
<b>Unmuxed GPIO</b>	
D11	GPIO[5]
E11	GPIO[6]
E9	GPIO[7] (unmuxed on ICH0) (muxed on ICH)
N4	GPIO[12]
L2	GPIO[13]
B14	GPIO[21]
D13	GPIO[22]
D15	GPIO[23]
K4	GPIO[26] (unmuxed on ICH0) (muxed on ICH)
M5	GPIO[27] (unmuxed on ICH0) (muxed on ICH)
L5	GPIO[28] (unmuxed on ICH0) (muxed on ICH)
<b>Miscellaneous Signals</b>	
U3	SPKR
H1	RTCST#



**Table 15-1. Ballout list by Interface**

Ball Number	Signal Names
<b>HUB Interface</b>	
D17	HL[0]
E17	HL[1]
F17	HL[2]
G16	HL[3]
J15	HL[4]
K16	HL[5]
K17	HL[6]
L17	HL[7]
H15	HL[8]
J17	HL[9]
J14	HL[10]
F16	HL[11] (ICH only)
G17	HL_STB
H17	HL_STB#
M17	HLCOMP
<b>Reserved Pins</b>	
G3	Reserved. No Connect
A11	Reserved (ICH0 only) (GNT[4]# on ICH)
B11	Reserved (ICH0 only) (REQ[4]# on ICH)
F16	Reserved (ICH0 only) (HL[11] on ICH)

**Table 15-1. Ballout list by Interface**

Ball Number	Signal Names
<b>Grounds</b>	
G14, H8, H9, H10, J8, J9, J10, K8, K9, K10, K15, R2	Vss
<b>Power Pins</b>	
A5, C8, C11, D16, E13, E6, E5, E3, G5, M14, N5, N13, P6, R13, T7, T16, U10	VCC3_3
G13, G15, H16, H14, J16, K14, L15,	VCC1_8
L1, N1	VCCSUS
G1	VCCRTC
H2	VBIAS
J13	HUBREF
C15	5VREF

**NOTES:**

1. PERR#,REQ4#, REQ5#, GNT4#, GNT5#, SUSCLK, HL[11], ALERTCLK, and ALERTDATA are on the ICH (82801AA only). These signals are not on the ICH0 (82801AB).

The non-multiplexed signals in this group (REQ4#, GNT4, and HL[11]) are Reserved on ICH0 (No Connect).

## 15.2 Package Information

Figure 15-3, Figure 15-4, and Table 15-2 show the package dimensions for the ICH and ICH0 (Intel® 82801AA and Intel® 82801AB).

Figure 15-3. Package Dimensions (241 BGA) – Top and Side Views

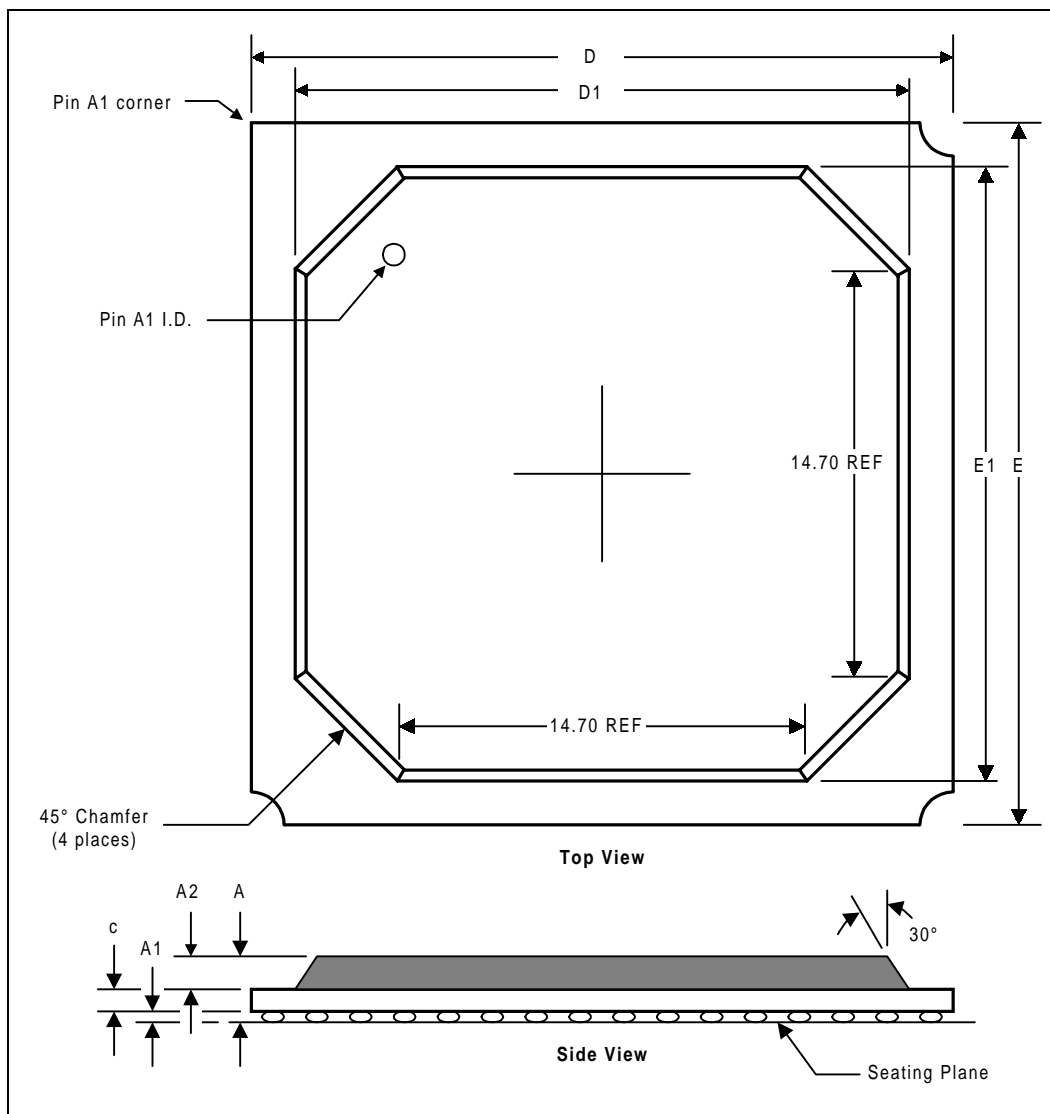


Figure 15-4. ICH Package Dimensions (241 BGA) – Bottom View

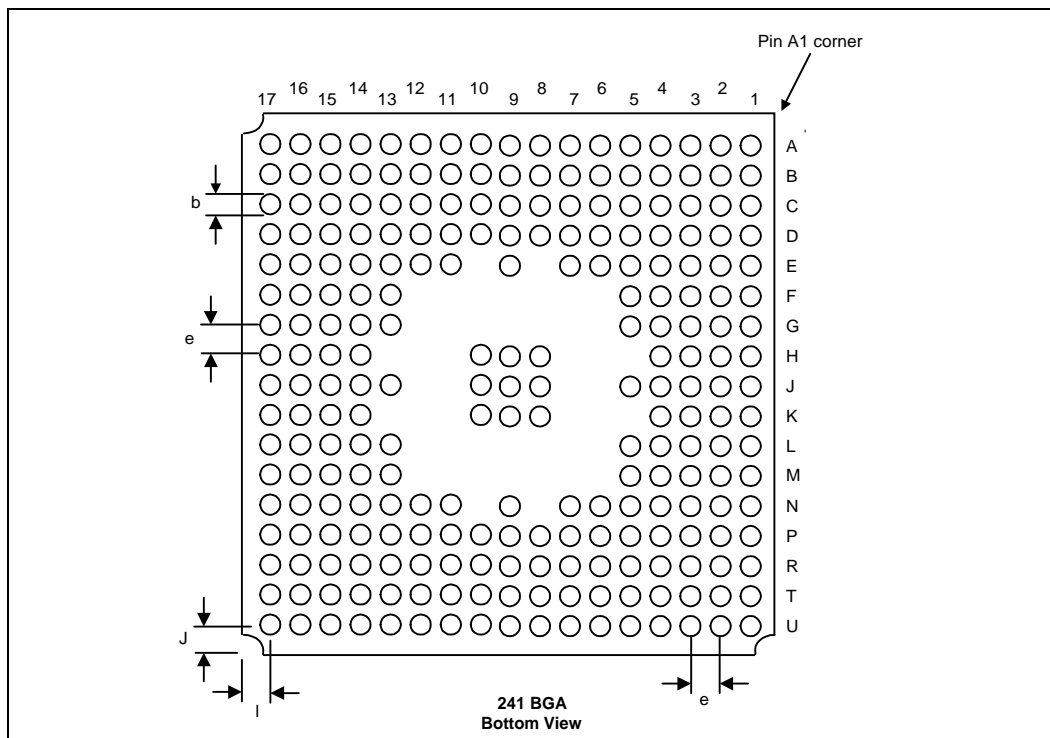


Table 15-2. Package Dimensions (241 BGA)

Symbol	Min	Nominal	Max	Units	Note
A	2.14	2.33	2.52	mm	
A1	0.50	0.60	0.70	mm	
A2	1.12	1.17	1.22	mm	
D	22.90	23.00	24.00	mm	
D1	19.30	19.50	19.70	mm	
E	22.90	23.00	24.00	mm	
E1	19.30	19.50	19.70	mm	
e	1.27 (solder ball pitch)			mm	
I	1.34 REF.			mm	
J	1.34 REF.			mm	
M	17 x 17 Matrix			mm	
b <sup>2</sup>	0.60	0.75	0.90	mm	
c	0.52	0.56	0.60	mm	
e	1.27			mm	

**NOTES:**

1. All dimensions and tolerances conform to ANSI Y14.5-1982
2. Dimension is measured at maximum solder ball diameter parallel to primary datum (-C-)
3. Primary Datum (-C-) and seating plane are defined by the spherical crowns of the solder balls.



# Testability

# 16

The ICH supports two types of test modes (a tri-state test mode and a NAND tree test mode). Driving RTCRST# low for a specific number of PCI clocks while PWROK is high activates a particular test mode as described in Table 16-1.

**Note:** RTCRST# can be driven anytime after PCIRST# is inactive; however, it is better to drive it as soon as PWROK goes high to enter a test mode

**Table 16-1. Test Mode Selection**

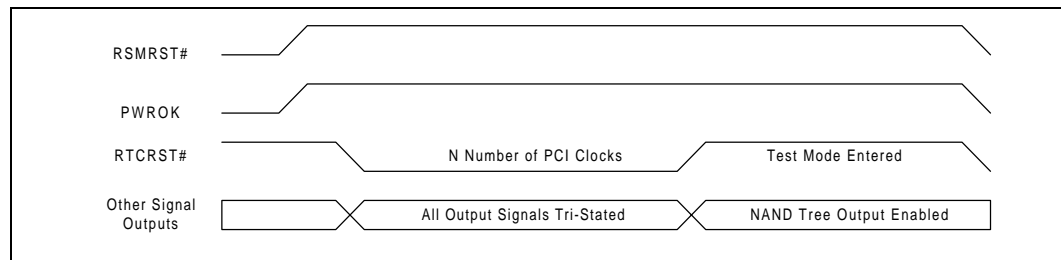
Number of PCI Clocks RTCRST# Driven Low After PWROK Active	Test Mode
<4	No Test Mode Selected
4	NAND Tree 1
5	NAND Tree 2
6	NAND Tree 3
7	NAND Tree 4
8	All "Z"
9	No Test Mode Selected
10 - 24	Reserved. DO NOT ATTEMPT
>24	No Test Mode Selected

Figure 16-1 illustrates the entry into a test mode. A particular test mode is entered by:

1. A PCI clock needs to be toggled before test mode selection while PWROK, RSMRST#, and RTCRST# are all high.
2. The correct number of PCI clock toggles are required to select the test mode as specified in Table 16-1.
3. The PCI clock should be toggled immediately after driving RTCRST# high to enter the test mode.
4. When in the NAND tree test mode, maintain PWROK and RSMRST# high.

To change test modes, the same sequence should be followed again. To restore the ICH to normal operation, execute the sequence with RTCRST# being asserted so that no test mode is selected as specified in Table 16-1.

**Figure 16-1. Test Mode Entry (NAND Tree Example)**



## 16.1 Tri-state Mode

When in the tri-state mode, all outputs and bi-directional pin are tri-stated, including the NAND tree outputs.

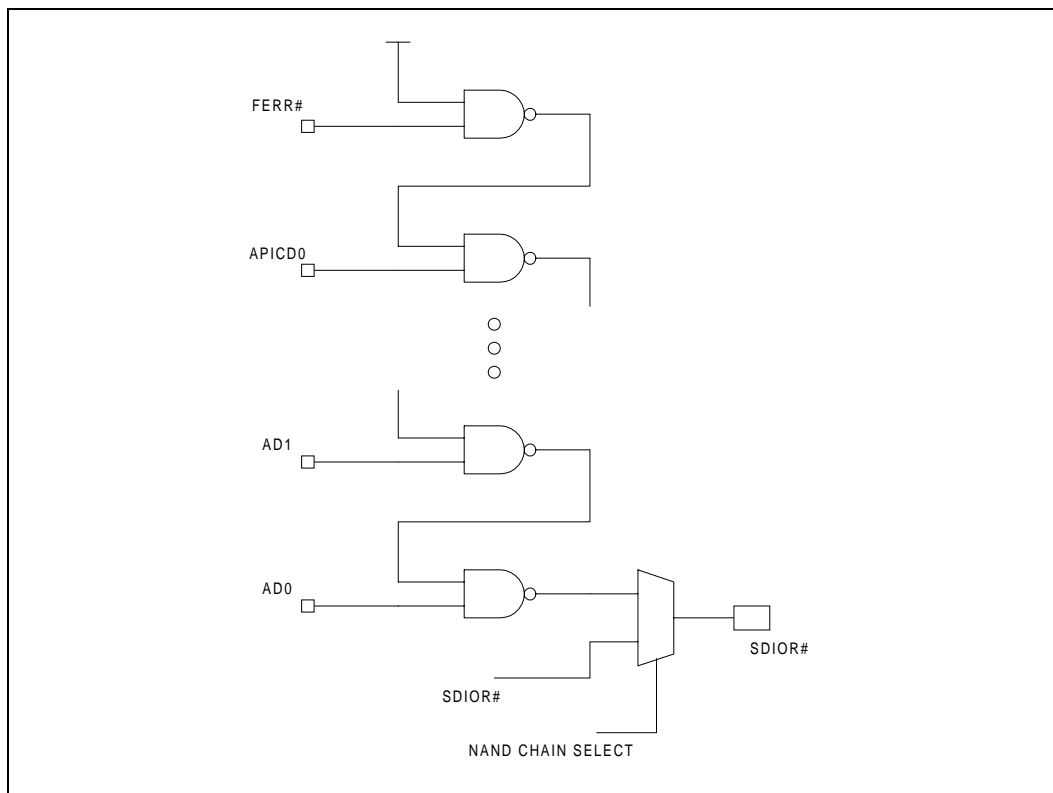
## 16.2 NAND tree Mode

The ICH has four independent NAND trees. Each one can be enabled by itself. When a NAND tree is enabled, all output and bi-directional buffers within that tree are tri-stated, except for the NAND tree output. All output and bi-directional buffers for pins not in the selected NAND tree are tri-stated. Every output signal, except for each NAND tree’s output buffer, is configured as an input and is included in the NAND tree.

Table 16-2 - Table 16-5 list each NAND tree pin ordering, with the first value being the first input and the last value being the NAND tree output. Table 16-6 lists the signal pins not included in any NAND tree.

To perform a NAND tree test, drive all NAND tree input pins to 0; the output of the NAND tree will be a 1. Starting at the last signal in the NAND tree (signal at the bottom of list next to output), drive a 1 to each signal, one at a time. The NAND tree output will toggle on each input signal transitioned from 0 to 1. The input-to-output propagation delay specification is 500 ns. Figure 16-2 is a schematic of a NAND tree circuitry.

Figure 16-2. NAND Tree Circuitry (NAND Tree #1 Example)



**Table 16-2. NAND Tree #1 (RTCRST# asserted for 4 PCI clocks while PWROK active)**

Pin Name	Ball #	Notes	Pin Name	Ball #	Notes
HL_STB	G17	Top of NAND Tree	AD16	A4	
REQ[1]#	B13	2nd signal in NAND	AD18	C5	
GNT[0]#	A13		C/BE[3]#	D6	
GNT[3]#	C12		C/BE[2]#	A3	
GPIO[6]	E11		AD17	B4	
REQ[2]#	B12		STOP#	D5	
GPIO[5]	D11		TRDY#	C4	
GNT[2]#	A12		SERR#	A1	
PIRQA#	D10		IRDY#	A2	
<b>ICH (82801AA):</b> REQ[4]# <b>ICH0 (82801AB):</b> Reserved	B11		AD14	D4	
<b>ICH (82801AA):</b> GNT[4]# <b>ICH0 (82801AB):</b> Reserved	A11		FRAME#	B3	
PIRQC#	B10		AD10	E4	
PIRQD#	C10		AD15	C3	
PIRQB#	A10		AD5	F5	
PAR	A9		AD11	C2	
DEVSEL#	D9		C/BE[1]#	B2	
<b>ICH (82801AA):</b> PERR#/GPIO[7] <b>ICH0 (82801AB):</b> GPIO[7]	E9		AD13	B1	
PLOCK#	B9		AD9	D3	
AD29	C9		C/BE[0]#	D2	
AD27	A8		AD12	C1	
AD25	B8		AD4	F4	
AD26	A7		AD3	F3	
AD28	B7		AD7	E2	
AD30	D8		AD2	F2	
AD31	C7		AD8	D1	
AD24	D7		AD6	E1	
AD23	B6		AD1	G4	
AD21	E7		AD0	G2	Last in NAND Tree
AD22	A6		SDIOR#	N16	NAND TREE #1 OUTPUT
AD20	B5				
AD19	C6	Connected to AD16			

**Table 16-3. NAND TREE #2 (RTCRST# asserted for 5 PCI clocks while PWROK active)**

Pin Name	Ball #	Notes	Pin Name	Ball #	Notes
			USBP0N	N2	
PCIRST#	J5	Top of NAND Tree	OC0#	M3	
SMBCLK	J2	2nd signal in NAND	USBP1P	R1	
SMBDATA	J1		USBP1N	P2	
GPIO24/SLP_S3#	K3		OC1#	M4	
PME#	K1		AC_RST#	T1	
RI#	L3		GPIO9/AC_SDIN1	P3	
SLP_S5#	K2		PWRBTN#	M2	
<b>ICH (82801AA):</b> GPIO26/SUSCLK <b>ICH0 (82801AB):</b> GPIO[26]	K4		GPIO12	N4	
GPIO11/ SMBALERT#	M1		<b>ICH (82801AA):</b> GPIO27/ ALERTCLK <b>ICH0 (82801AB):</b> GPIO[27]	M5	
GPIO25/ SUS_STAT#	L4		AC_SDIN0	U1	
GPIO13	L2		GPIO8/LDRQ1	N3	Last in NAND Tree
<b>ICH (82801AA):</b> GPIO28/ ALERTDATA <b>ICH0 (82801AB):</b> GPIO[28]	L5		PDIOW#	T11	NAND TREE  #2 OUTPUT
USBP0P	P1	Connected to USBP0N			



**Table 16-4. NAND Tree #3 (RTCRST# asserted for 6 PCI clocks while PWROK active)**

Pin Name	Ball #	Notes
HL_STB#	H17	Top of NAND Tree
HL2	F17	2nd signal in NAND
HL3	G16	
HL1	E17	
HL0	D17	
<b>ICH (82801AA):</b> HL11 <b>ICH0 (82801AB):</b> Reserved]	F16	
FERR#	F15	
APICD0	E16	
APICD1	C17	
SMI#	F14	
IGNNE#	B17	
INIT#	E15	
STPCLK#	A17	
INTR	E14	
A20M#	F13	
NMI	B16	
GPIO23	D15	
THRM#	D14	
CPUSLP#	E12	
RC_IN#	A15	
A20GATE	B15	
GPIO22	D13	
GPIO21	B14	Connected to REQ0#

Pin name	Ball #	Notes
REQ[0]#	A14	
REQ[3]#	D12	
GNT[1]#	C13	
SDD15	P16	
SDDREQ	P17	
SDIOR#	N16	
SDA1	M15	
SDA0	M16	
SDA2	L13	
SIORDY	N17	
SDCS1#	L14	
SDCS3#	L16	
HLCOMP	M17	
HL5	K16	
HL7	L17	
HL6	K17	
HL4	J15	
HL10	J14	
HL9	J17	
HL8	H15	Last in NAND Tree
SDIOW#	N15	NAND TREE #3 OUTPUT

Table 16-5. NAND Tree #4 (RTCRST# asserted for 7 PCI clocks while PWROK active)

Pin Name	Ball #	Notes
AC_SDOUT	T2	Top of NAND Tree
AC_BITCLK	R3	2nd signal in NAND
<b>ICH (82801AA):</b> GPIO1/REQ[B]#/REQ[5] <b>ICH0 (82801AB):</b> GPIO1/REQ[B]#	P4	
GPIO16/GNT[A]#	P5	
SERIRQ	R4	
GPIO0/REQ[A]#	N6	
SPKR	U3	
AC_SYNC	T3	
LAD[3]/FWH[3]	T4	
<b>ICH (82801AA):</b> GPIO17/GNT[B]#/GNT[5]# <b>ICH0 (82801AB):</b> GPIO17/GNT[B]#	R5	
LFRAME#/FWH[4]	U4	
LAD[2]/FWH[2]	T5	
LAD[0]/FWH[0]	R6	
LAD[1]/FWH[1]	U5	
LDRQ[0]#	T6	
PDD9	N7	
PDD8	P7	
PDD6	R7	
PDD11	P8	
PDD7	U7	
PDD5	U8	
PDD4	R8	
PDD10	T8	
PDD3	U9	
PDD13	P9	
PDD1	N9	
PDD12	T9	
PDD2	R9	
PDD14	T10	
PDD0	R10	
PDDREQ	U11	Connected to PDIOW#

Pin Name	Ball #	Notes
PDIOW#	T11	
PDD15	P10	
PDDACK#	U12	
IRQ14	P11	
PDA1	T12	
PIORDY	N11	
PDA0	R12	
PDCS3#	U13	
SDD7	T13	
SDD8	U14	
SDD9	T14	
PDA2	P12	
SDD5	R14	
SDD11	T15	
SDD4	U15	
PDCS1#	N12	
SDD13	R15	
SDD3	U16	
SDD6	P13	
SDD1	R16	
SDD12	U17	
SDDACK#	M13	
SDD2	T17	
SDD0	P15	
SDD10	P14	
IRQ15	N14	
SDD14	R17	
SДИOW#	N15	Last in NAND Tree
PDIOR#	R11	NAND TREE #4 OUTPUT

**Table 16-6. Signals Not in NAND Tree**

Pin Name	Ball #	Notes
RSMRST#	F1	
PWROK	J3	
RTCX1	H3	
RTCX2	H4	
VBIAS	H2	
RTCRST#	H1	

Pin Name	Ball #	Notes
CLK14	U6	
CLK48	U2	
CLK66	A16	
APICCLK	C16	
PCICLK	C14	
PDIOR#	R11	



# Register Index

# A

**Table A-1. ICH PCI Configuration Registers (Sheet 1 of 7)**

Register Name	Offset	Datasheet Section and Location
<b>Hub Link to PCI Bridge D30:F0</b>		
Vendor ID	00h–01h	Section 7.1.1, “VID—Vendor ID Register (HUB-PCI—D30:F0)” on page 7-2
Device ID	02h–03h	Section 7.1.2, “DID—Device ID Register (HUB-PCI—D30:F0)” on page 7-2
PCI Device Command Register	04h–05h	Section 7.1.3, “CMD—Command Register (HUB-PCI—D30:F0)” on page 7-3
PCI Device Status Register	06h–07h	Section 7.1.4, “PD_STS—Primary Device Status Register (HUB-PCI—D30:F0)” on page 7-4
Revision ID	08h	Section 7.1.5, “RID—Revision ID Register (HUB-PCI—D30:F0)” on page 7-5
Sub Class Code	0Ah	Section 7.1.6, “SCC—Sub-Class Code Register (HUB-PCI—D30:F0)” on page 7-5
Base Class Code	0Bh	Section 7.1.7, “BCC—Base-Class Code Register (HUB-PCI—D30:F0)” on page 7-5
Primary Master Latency Timer	0Dh	Section 7.1.8, “PMLT—Primary Master Latency Timer Register (HUB-PCI—D30:F0)” on page 7-5
Header Type	0Eh	Section 7.1.9, “HEADTYP—Header Type Register (HUB-PCI—D30:F0)” on page 7-6
Primary Bus Number	18h	Section 7.1.10, “PBUS_NUM—Primary Bus Number Register (HUB-PCI—D30:F0)” on page 7-6
Secondary Bus Number	19h	Section 7.1.11, “SBUS_NUM—Secondary Bus Number Register (HUB-PCI—D30:F0)” on page 7-6
Subordinate Bus Number	1Ah	Section 7.1.12, “SUB_BUS_NUM—Subordinate Bus Number Register (HUB-PCI—D30:F0)” on page 7-6
Secondary Master Latency Timer	1Bh	Section 7.1.13, “SMLT—Secondary Master Latency Timer Register (HUB-PCI—D30:F0)” on page 7-7
IO Base Register	1Ch	Section 7.1.14, “IOBASE—I/O Base Register (HUB-PCI—D30:F0)” on page 7-7
IO Limit Register	1Dh	Section 7.1.15, “IOLIM—I/O Limit Register (HUB-PCI—D30:F0)” on page 7-7
Secondary Status Register	1Eh–1Fh	Section 7.1.16, “SECSTS—Secondary Status Register (HUB-PCI—D30:F0)” on page 7-8
Memory Base	20h–21h	Section 7.1.17, “MEMBASE—Memory Base Register (HUB-PCI—D30:F0)” on page 7-9
Memory Limit	22h–23h	Section 7.1.18, “MEMLIM—Memory Limit Register (HUB-PCI—D30:F0)” on page 7-9
Prefetchable Memory Base	24h–25h	Section 7.1.19, “PREF_MEM_BASE—Prefetchable Memory Base Register (HUB-PCI—D30:F0)” on page 7-9
Prefetchable Memory Limit	26h–27h	Section 7.1.20, “PREF_MEM_MLT—Prefetchable Memory Limit Register (HUB-PCI—D30:F0)” on page 7-10
I/O Base Upper 16 Bits	30h–31h	Section 7.1.21, “IOBASE_HI—I/O Base Upper 16 Bits Register (HUB-PCI—D30:F0)” on page 7-10

Table A-1. ICH PCI Configuration Registers (Sheet 2 of 7)

Register Name	Offset	Datasheet Section and Location
I/O Limit Upper 16 Bits	32h–33h	Section 7.1.22, "IOLIM_HI—I/O Limit Upper 16 Bits Register (HUB-PCI—D30:F0)" on page 7-10
Interrupt Line	3Ch	Section 7.1.23, "INT_LINE—Interrupt Line Register (HUB-PCI—D30:F0)" on page 7-10
Bridge Control	3Eh–3Fh	Section 7.1.24, "BRIDGE_CNT—Bridge Control Register (HUB-PCI—D30:F0)" on page 7-11
ICH Configuration Register	50h–51h	Section 7.1.25, "CNF—ICH Configuration Register (HUB-PCI—D30:F0)" on page 7-12
Multi-Transaction Timer	70h	Section 7.1.26, "MTT—Multi-Transaction Timer Register (HUB-PCI—D30:F0)" on page 7-13
PCI Master Status	82h	Section 7.1.27, "PCI_MAST_STS—PCI Master Status Register (HUB-PCI—D30:F0)" on page 7-13
Error Command Register	90h	Section 7.1.28, "ERR_CMD—Error Command Register (HUB-PCI—D30:F0)" on page 7-14
Error Status Register	92h	Section 7.1.29, "ERR_STS—Error Status Register (HUB-PCI—D30:F0)" on page 7-14
<b>LPC Bridge D31:F0</b>		
Vendor ID	00h–01h	Section 8.1.1, "VID—Vendor ID Register (LPC I/F—D31:F0)" on page 8-2
Device ID	02h–03h	Section 8.1.2, "DID—Device ID Register (LPC I/F—D31:F0)" on page 8-2
PCI Command Register	04h–05h	Section 8.1.3, "PCICMD—PCI COMMAND Register (LPC I/F—D31:F0)" on page 8-3
PCI Device Status Register	06h–07h	Section 8.1.4, "PCISTA—PCI Device Status (LPC I/F—D31:F0)" on page 8-4
Revision ID	08h	Section 8.1.5, "RID—Revision ID Register (LPC I/F—D31:F0)" on page 8-5
Programming Interface	09h	Section 8.1.6, "PI—Programming Interface (LPC I/F—D31:F0)" on page 8-5
Sub Class Code	0Ah	Section 8.1.7, "SCC—Sub-Class Code Register (LPC I/F—D31:F0)" on page 8-5
Base Class Code	0Bh	Section 8.1.8, "BCC—Base-Class Code Register (LPC I/F—D31:F0)" on page 8-5
Header Type	0Eh	Section 8.1.9, "HEADTYP—Header Type Register (LPC I/F—D31:F0)" on page 8-5
ACPI Base Address Register	40h–43h	Section 8.1.10, "PMBASE—ACPI Base Address (LPC I/F—D31:F0)" on page 8-6
ACPI Control	44h	Section 8.1.11, "ACPI_CNTL—ACPI Control (LPC I/F—D31:F0)" on page 8-6
BIOS Control Register	4Eh–4Fh	Section 8.1.12, "BIOS_CNTL (LPC I/F—D31:F0)" on page 8-7
TCO Control	54h	Section 8.1.13, "TCO_CNTL — TCO Control (LPC I/F—D31:F0)" on page 8-7
GPIO Base Address Register	58h–5Bh	Section 8.1.14, "GPIOBASE—GPIO Base Address (LPC I/F—D31:F0)" on page 8-8
GPIO Control Register	5Ch	Section 8.1.15, "GPIO_CNTL—GPIO Control (LPC I/F—D31:F0)" on page 8-8
PIRQ[A-D] Routing Control	60h–63h	Section 8.1.16, "PIRQ[n]_ROUT—PIRQ[A,B,C,D] Routing Control (LPC I/F—D31:F0)" on page 8-9
Serial IRQ Control Register	64h	Section 8.1.17, "SERIRQ_CNTL—Serial IRQ Control (LPC I/F—D31:F0)" on page 8-9
Device 31 Error Config Register	88h	Section 8.1.18, "D31_ERR_CFG—Device 31 Error Config Register (LPC I/F—D31:F0)" on page 8-10

**Table A-1. ICH PCI Configuration Registers (Sheet 3 of 7)**

Register Name	Offset	Datasheet Section and Location
Device 31 Error Status Register	8Ah	Section 8.1.19, "D31_ERR_STS—Device 31 Error Status Register (LPC I/F—D31:F0)" on page 8-10
PCI DMA Configuration Registers	90h–91h	Section 8.1.20, "PCI_DMA_CFG—PCI DMA Configuration (LPC I/F—D31:F0)" on page 8-11
General Power Management Configuration 1	A0h	Section 8.8.1.1, "GEN_PMCON_1—General PM Configuration 1 Register (PM—D31:F0)" on page 8-52
General Power Management Configuration 2	A2h	Section 8.8.1.2, "GEN_PMCON_2—General PM Configuration 2 Register (PM—D31:F0)" on page 8-53
General Power Management Configuration 3	A4h	Section 8.8.1.3, "GEN_PMCON_3—General PM Configuration 3 Register (PM—D31:F0)" on page 8-53
GPI_ROUT	B8h–BBh	Section 8.8.1.4, "GPI_ROUT—GPI Routing Control Register (PM—D31:F0)" on page 8-54
IO_MON_RNG1	C4h	Section 8.8.1.5, "IO_MON_RNG1—IO Monitor Range 1 Register (PM—D31:F0)" on page 8-54
IO_MON_RNG2	C6h	Section 8.8.1.6, "IO_MON_RNG2—IO Monitor Range 2 Register (PM—D31:F0)" on page 8-55
IO_MON_MSK	CCh	Section 8.8.1.7, "IO_MON_MSK—IO Monitor Range Mask Register (PM—D31:F0)" on page 8-55
General Control	D0h–D3h	Section 8.1.21, "GEN_CNTL — General Control Register (LPC I/F — D31:F0)" on page 8-11
General Status	D4h–D7h	Section 8.1.22, "GEN_STA—General Status (LPC I/F—D31:F0)" on page 8-13
Real Time Clock Configuration	D8h	Section 8.1.23, "RTC_CONF—RTC Configuration Register (LPC I/F—D31:F0)" on page 8-14
LPC COM Port Decode Ranges	E0h	Section 8.1.24, "COM_DEC—LPC I/F Communication Port Decode Ranges (LPC I/F—D31:F0)" on page 8-14
LPC FDD & LPT Decode Ranges	E1h	Section 8.1.25, "FDD/LPT_DEC—LPC I/F FDD & LPT Decode Ranges (LPC I/F—D31:F0)" on page 8-15
LPC Sound Decode Ranges	E2h	Section 8.1.26, "SND_DEC—LPC I/F Sound Decode Ranges (LPC I/F—D31:F0)" on page 8-15
LPC General 1 Decode Range	E4h–E5h	Section 8.1.27, "GEN1_DEC—LPC I/F Generic Decode Range 1 (LPC I/F—D31:F0)" on page 8-16
LPC General 2 Decode Range	E6h–E7h	Section 8.1.28, "GEN2_DEC—LPC I/F Generic Decode Range 2 (LPC I/F—D31:F0)" on page 8-16
LPC Enables	ECh–EDh	Section 8.1.29, "LPC_EN—LPC I/F Enables (LPC I/F—D31:F0)" on page 8-17
Function Disable Register	F2h	Section 8.1.32, "FUNC_DIS—Function Disable Register (LPC I/F—D31:F0)" on page 8-20

Table A-1. ICH PCI Configuration Registers (Sheet 4 of 7)

Register Name	Offset	Datasheet Section and Location
<b>IDE Controller (D31:F1)</b>		
Vendor ID	00h–01h	Section 9.1.1, “VID—Vendor ID Register (IDE—D31:F1)” on page 9-2
Device ID	02h–03h	Section 9.1.2, “DID—Device ID Register (IDE—D31:F1)” on page 9-2
Command Register	04h–05h	Section 9.1.3, “CMD—Command Register (IDE—D31:F1)” on page 9-2
Device Status	06h–07h	Section 9.1.4, “STA—Device Status Register (IDE—D31:F1)” on page 9-3
Revision ID	08h	Section 9.1.5, “RID—Revision ID Register (IDE—D31:F1)” on page 9-3
Programming Interface	09h	Section 9.1.6, “PI—Programming Interface (IDE—D31:F1)” on page 9-3
Sub Class Code	0Ah	Section 9.1.7, “SCC—Sub Class Code (IDE—D31:F1)” on page 9-4
Base Class Code	0Bh	Section 9.1.8, “BCC—Base Class Code (IDE—D31:F1)” on page 9-4
Header Type	0Eh	Section 9.1.10, “HEADTYP—Header Type Register (LPC I/F—D31:F0)” on page 9-4
Base Address Register	20h–23h	Section 9.1.11, “BM_BASE—Bus Master Base Address Register (IDE—D31:F1)” on page 9-5
Subsystem Vendor ID	2Ch–2Dh	Section 9.1.12, “SVID—Subsystem Vendor ID Register (IDE—D31:F1)” on page 9-5
Subsystem ID	2Eh–2Fh	Section 9.1.13, “SID—Subsystem ID Register (IDE—D31:F1)” on page 9-5
Primary IDE Timing	40h–43h	Section 9.1.14, “IDE_TIM—IDE Timing Register (IDE—D31:F1)” on page 9-6
Slave IDE Timing	44h	Section 9.1.15, “SLV_IDETIM—Slave (Drive 1) IDE Timing Register (IDE—D31:F1)” on page 9-7
Synchronous DMA Control Register	48h	Section 9.1.16, “SDMA_CNT—Synchronous DMA Control Register (IDE—D31:F1)” on page 9-8
Synchronous DMA Timing Register	4Ah–4Bh	Section 9.1.17, “SDMA_TIM—Synchronous DMA Timing Register (IDE—D31:F1)” on page 9-9
IDE I/O Configuration Register	54h	Section 9.1.18, “IDE_CONFIG—IDE I/O Configuration Register” on page 9-10
<b>USB Controller (D31:F2)</b>		
Vendor ID	00h–01h	Section 10.1.1, “VID—Vendor Identification Register (USB—D31:F2)” on page 10-2
Device ID	02h–03h	Section 10.1.2, “DID—Device Identification Register (USB—D31:F2)” on page 10-2
Command Register	04h–05h	Section 10.1.3, “CMD—Command Register (USB—D31:F2)” on page 10-2
Device Status	06h–07h	Section 10.1.4, “STA—Device Status Register (USB—D31:F2)” on page 10-3
Revision ID	08h	Section 10.1.5, “RID—Revision Identification Register (USB—D31:F2)” on page 10-3
Programming Interface	09h	Section 10.1.6, “PI—Programming Interface (USB—D31:F2)” on page 10-3
Sub Class Code	0Ah	Section 10.1.7, “SCC—Sub Class Code Register (USB—D31:F2)” on page 10-4
Base Class Code	0Bh	Section 10.1.8, “BCC—Base Class Code Register (USB—D31:F2)” on page 10-4



**Table A-1. ICH PCI Configuration Registers (Sheet 5 of 7)**

Register Name	Offset	Datasheet Section and Location
Header Type	0Eh	Section 10.1.9, "HEADTYP—Header Type Register (USB—D31:F2)" on page 10-4
Base Address Register	20h–23h	Section 10.1.10, "BASE—Base Address Register (USB—D31:F2)" on page 10-4
Subsystem Vendor ID	2Ch–2Dh	Section 10.1.11, "SVID—Subsystem Vendor ID Register (USB—D31:F2)" on page 10-5
Subsystem ID	2Eh–2Fh	Section 10.1.12, "SID—Subsystem ID Register (USB—D31:F2)" on page 10-5
Interrupt Line	3Ch	Section 10.1.13, "INTR_LN—Interrupt Line Register (USB—D31:F2)" on page 10-5
Interrupt Pin	3Dh	Section 10.1.14, "INTR_PN—Interrupt Pin Register (USB—D31:F2)" on page 10-5
Serial Bus Release Number	60h	Section 10.1.15, "SB_RELNUM—Serial Bus Release Number Register (USB—D31:F2)" on page 10-6
USB Legacy Keyboard/Mouse Control	C0h–C1h	Section 10.1.16, "USB_LEGKEY—USB Legacy Keyboard/Mouse Control Register (USB—D31:F2)" on page 10-6
USB Resume Enable	C4h	Section 10.1.17, "USB_RES—USB Resume Enable Register (USB—D31:F2)" on page 10-7
<b>SMBus Controller (D31:F3)</b>		
Vendor ID	00h–01h	Section 11.1.1, "VID—Vendor Identification Register (SMBUS—D31:F3)" on page 11-2
Device ID	02h–03h	Section 11.1.2, "DID—Device Identification Register (SMBUS—D31:F3)" on page 11-2
Command Register	04h–05h	Section 11.1.3, "CMD—Command Register (SMBUS—D31:F3)" on page 11-2
Device Status	06h–07h	Section 11.1.4, "STA—Device Status Register (SMBUS—D31:F3)" on page 11-3
Revision ID	08h	Section 11.1.5, "RID—Revision ID Register (SMBUS—D31:F3)" on page 11-3
Programming Interface	09h	Section 11.1.6, "PI—Programming Interface (SMBUS—D31:F3)" on page 11-3
Sub Class Code	0Ah	Section 11.1.7, "SCC—Sub Class Code Register (SMBUS—D31:F3)" on page 11-4
Base Class Code	0Bh	Section 11.1.8, "BCC—Base Class Code Register (SMBUS—D31:F3)" on page 11-4
Header Type	0Eh	Section 11.1.9, "HEADTYP—Header Type Register (SMBUS—D31:F3)" on page 11-4
SMB Base Address Register	20h–23h	Section 11.1.10, "SMB_BASE—SMBus Base Address Register (SMBUS—D31:F3)" on page 11-4
Subsystem Vendor ID	2Ch–2Dh	Section 11.1.11, "SVID—Subsystem Vendor ID Register (SMBUS—D31:F3)" on page 11-5
Subsystem ID	2Eh–2Fh	Section 11.1.12, "SID—Subsystem ID Register (SMBUS—D31:F3)" on page 11-5
Interrupt Line	3Ch	Section 11.1.13, "INTR_LN—Interrupt Line Register (SMBUS—D31:F3)" on page 11-5
Interrupt Pin	3Dh	Section 11.1.14, "INTR_PN—Interrupt Pin Register (SMBUS—D31:F3)" on page 11-5
Host Configuration	40h	Section 11.1.15, "HOSTC—Host Configuration Register (SMBUS—D31:F3)" on page 11-6
<b>AC'97 Audio Controller (D31:F5)</b>		

Table A-1. ICH PCI Configuration Registers (Sheet 6 of 7)

Register Name	Offset	Datasheet Section and Location
Vendor Identification	00h–01h	Section 12.1.1, “VID—Vendor Identification Register (Audio—D31:F5)” on page 12-2
Device Identification	02h–03h	Section 12.1.2, “DID—Device Identification Register (Audio—D31:F5)” on page 12-2
PCI Command	04h–05h	Section 12.1.3, “PCICMD—PCI Command Register (Audio—D31:F5)” on page 12-2
PCI Device Status	06h–07h	Section 12.1.4, “PCISTA—PCI Device Status Register (Audio—D31:F5)” on page 12-3
Revision Identification	08h	Section 12.1.5, “RID—Revision Identification Register (Audio—D31:F5)” on page 12-3
Programming Interface	09h	Section 12.1.6, “PI—Programming Interface Register (Audio—D31:F5)” on page 12-3
Sub Class Code	0Ah	Section 12.1.7, “SCC—Sub Class Code Register (Audio—D31:F5)” on page 12-4
Base Class Code	0Bh	Section 12.1.8, “BCC—Base Class Code Register (Audio—D31:F5)” on page 12-4
Header Type	0Eh	Section 12.1.9, “HEADTYP—Header Type Register (Audio—D31:F5)” on page 12-4
Native Audio Mixer Base Address	10h–13h	Section 12.1.10, “NAMBAR—Native Audio Mixer Base Address Register (Audio—D31:F5)” on page 12-5
Native Audio Bus Mastering Base Address	14h–17h	Section 12.1.11, “NABMBAR—Native Audio Bus Mastering Base Address Register (Audio—D31:F5)” on page 12-5
Subsystem Vendor ID	2Ch–2Dh	Section 12.1.12, “SVID—Subsystem Vendor ID Register (Audio—D31:F5)” on page 12-6
Subsystem ID	2Eh–2Fh	Section 12.1.13, “SID—Subsystem ID Register (Audio—D31:F5)” on page 12-6
Interrupt Line	3Ch	Section 12.1.14, “INTR_LN—Interrupt Line Register (Audio—D31:F5)” on page 12-6
Interrupt Pin	3Dh	Section 12.1.15, “INTR_PN—Interrupt Pin Register (Audio—D31:F5)” on page 12-7
<b>AC'97 Modem Controller (D31:F6)</b>		
Vendor Identification	00h–01h	Section 13.1.1, “VID—Vendor Identification Register (Modem—D31:F6)” on page 13-2
Device Identification	02h–03h	Section 13.1.2, “DID—Device Identification Register (Modem—D31:F6)” on page 13-2
PCI Command	04h–05h	Section 13.1.3, “PCICMD—PCI Command Register (Modem—D31:F6)” on page 13-2
PCI Device Status	06h–07h	Section 13.1.4, “PCISTA—Device Status Register (Modem—D31:F6)” on page 13-3
Revision Identification	08h	Section 13.1.5, “RID—Revision Identification Register (Modem—D31:F6)” on page 13-3
Programming Interface	09h	Section 13.1.6, “PI—Programming Interface Register (Modem—D31:F6)” on page 13-3
Sub Class Code	0Ah	Section 13.1.7, “SCC—Sub Class Code Register (Modem—D31:F6)” on page 13-4
Base Class Code	0Bh	Section 13.1.8, “BCC—Base Class Code Register (Modem—D31:F6)” on page 13-4
Header Type	0Eh	Section 13.1.9, “HEDTYP—Header Type Register (Modem—D31:F6)” on page 13-4
Modem Mixer Base Address	10h–13h	Section 13.1.10, “MMBAR—Modem Mixer Base Address Register (Modem—D31:F6)” on page 13-5

**Table A-1. ICH PCI Configuration Registers (Sheet 7 of 7)**

Register Name	Offset	Datasheet Section and Location
Modem Base Address	14h–17h	Section 13.1.11, “MBAR—Modem Base Address Register (Modem—D31:F6)” on page 13-5
Subsystem Vendor ID	2Ch–2Dh	Section 13.1.12, “SVID—Subsystem Vendor ID (Modem—D31:F6)” on page 13-6
Subsystem ID	2Eh–2Fh	Section 13.1.13, “SID—Subsystem ID (Modem—D31:F6)” on page 13-6
Interrupt Line	3C	Section 13.1.14, “INTR_LN—Interrupt Line Register (Modem—D31:F6)” on page 13-7
Interrupt Pin	3Dh	Section 13.1.15, “INT_PIN—Interrupt Pin (Modem—D31:F6)” on page 13-7

Table A-2. ICH Fixed I/O Registers (Sheet 1 of 4)

Register Name	Port	Datasheet Section and Location
Channel 0 DMA Base & Current Address Register	00h	Section 8.2.1, "DMABASE_CA—DMA Base and Current Address Registers" on page 8-22
Channel 0 DMA Base & Current Count Register	01h	Section 8.2.2, "DMABASE_CC—DMA Base and Current Count Registers" on page 8-23
Channel 1 DMA Base & Current Address Register	02h	Section 8.2.1, "DMABASE_CA—DMA Base and Current Address Registers" on page 8-22
Channel 1 DMA Base & Current Count Register	03h	Section 8.2.2, "DMABASE_CC—DMA Base and Current Count Registers" on page 8-23
Channel 2 DMA Base & Current Address Register	04h	Section 8.2.1, "DMABASE_CA—DMA Base and Current Address Registers" on page 8-22
Channel 2 DMA Base & Current Count Register	05h	Section 8.2.2, "DMABASE_CC—DMA Base and Current Count Registers" on page 8-23
Channel 3 DMA Base & Current Address Register	06h	Section 8.2.1, "DMABASE_CA—DMA Base and Current Address Registers" on page 8-22
Channel 3 DMA Base & Current Count Register	07h	Section 8.2.2, "DMABASE_CC—DMA Base and Current Count Registers" on page 8-23
Channel 0-3 DMA Command Register Channel 0-3 DMA Status Register	08h	Section 8.2.4, "DMACMD—DMA Command Register" on page 8-24 Section 8.2.5, "DMASTA—DMA Status Register" on page 8-24
Channel 0-3 DMA Write Single Mask Register	0Ah	Section 8.2.6, "DMA_WRSMSK—DMA Write Single Mask Register" on page 8-25
Channel 0-3 DMA Channel Mode Register	0Bh	Section 8.2.7, "DMACH_MODE—DMA Channel Mode Register" on page 8-25
Channel 0-3 DMA Clear Byte Pointer Register	0Ch	Section 8.2.8, "DMA Clear Byte Pointer Register" on page 8-26
Channel 0-3 DMA Master Clear Register	0Dh	Section 8.2.9, "DMA Master Clear Register" on page 8-26
Channel 0-3 DMA Clear Mask Register	0Eh	Section 8.2.10, "DMA_CLMSK—DMA Clear Mask Register" on page 8-26
Channel 0-3 DMA Write All Mask Register	0Fh	Section 8.2.11, "DMA_WRMSK—DMA Write All Mask Register" on page 8-27
<b>Aliased at 00h–0Fh</b>	10h–1Fh	
Master PIC ICW1 Init. Cmd Word 1 Register Master PIC OCW2 Op Ctrl Word 2 Register Master PIC OCW3 Op Ctrl Word 3 Register	20h	Section 8.4.2, "ICW1—Initialization Command Word 1 Register" on page 8-33 Section 8.4.8, "OCW2—Operational Control Word 2 Register" on page 8-36 Section 8.4.9, "OCW3—Operational Control Word 3 Register" on page 8-37
Master PIC ICW2 Init. Cmd Word 2 Register Master PIC ICW3 Init. Cmd Word 3 Register Master PIC ICW4 Init. Cmd Word 4 Register Master PIC OCW1 Op Ctrl Word 1 Register	21h	Section 8.4.3, "ICW2—Initialization Command Word 2 Register" on page 8-34 Section 8.4.4, "ICW3—Master Controller Initialization Command Word 3 Register" on page 8-34 Section 8.4.6, "ICW4—Initialization Command Word 4 Register" on page 8-35 Section 8.4.7, "OCW1—Operational Control Word 1 (Interrupt Mask) Register" on page 8-35
<b>Aliased at 20h–21h</b>	24h–25h	
<b>Aliased at 20h–21h</b>	28h–29h	
<b>Aliased at 20h–21h</b>	24h–25h	
<b>Aliased at 20h–21h</b>	2Ch–2Dh	

**Table A-2. ICH Fixed I/O Registers (Sheet 2 of 4)**

Register Name	Port	Datasheet Section and Location
<b>Aliased at 20h–21h</b>	30h–31h	
<b>Aliased at 20h–21h</b>	34h–35h	
<b>Aliased at 20h–21h</b>	38h–39h	
<b>Aliased at 20h–21h</b>	3Ch–3Dh	
Counter 0 Interval Time Status Byte Format Counter 0 Counter Access Port Register	40h	Section 8.3.2, “SBYTE_FMT—Interval Timer Status Byte Format Register” on page 8-30 Section 8.3.3, “Counter Access Ports Register” on page 8-31
Counter 1 Interval Time Status Byte Format Counter 1 Counter Access Port Register	41h	Section 8.3.2, “SBYTE_FMT—Interval Timer Status Byte Format Register” on page 8-30 Section 8.3.3, “Counter Access Ports Register” on page 8-31
Counter 2 Interval Time Status Byte Format Counter 2 Counter Access Port Register	42h	Section 8.3.2, “SBYTE_FMT—Interval Timer Status Byte Format Register” on page 8-30 Section 8.3.3, “Counter Access Ports Register” on page 8-31
Timer Control Word Register  Timer Control Word Register Read Back Counter Latch Command	43h	Section 8.3.1, “TCW—Timer Control Word Register” on page 8-28 Section 8.3.1.1, “RDBK_CMD—Read Back Command” on page 8-29 Section 8.3.1.2, “LTCH_CMD—Counter Latch Command” on page 8-30
<b>Aliased at 40h–43h</b>	50h–53h	
NMI Status and Control Register	61h	Section 8.7.1, “NMI_SC—NMI Status and Control Register” on page 8-49
NMI Enable Register	70h	Section 8.7.2, “NMI_EN—NMI Enable (and Real Time Clock Index)” on page 8-50
Real-Time Clock (Standard RAM) Index Register	70h	Table 8-7 “RTC (Standard) RAM Bank” on page 8-45 Section 8.7.2, “NMI_EN—NMI Enable (and Real Time Clock Index)” on page 8-50
Real-Time Clock (Standard RAM) Target Register	71h	Table 8-7 “RTC (Standard) RAM Bank” on page 8-45
Extended RAM Index Register	72h	
Extended RAM Target Register	73h	
<b>Aliased at 70h–71h</b>	74h–75h	Aliased if U128E bit in RTC Configuration Register is enabled Section 8.1.23, “RTC_CONF—RTC Configuration Register (LPC I/F—D31:F0)” on page 8-14
<b>Aliased at 72h–73h or 70h–71h</b>	76h–77h	Aliased to 70h–71h if U128E bit in RTC Configuration Register is enabled Section 8.1.23, “RTC_CONF—RTC Configuration Register (LPC I/F—D31:F0)” on page 8-14
Channel 2 DMA Memory Low Page Register	81h	Section 8.2.3, “DMAMEM_LP—DMA Memory Low Page Registers” on page 8-23
Channel 3 DMA Memory Low Page Register	82h	Section 8.2.3, “DMAMEM_LP—DMA Memory Low Page Registers” on page 8-23
Channel 1 DMA Memory Low Page Register	83h	Section 8.2.3, “DMAMEM_LP—DMA Memory Low Page Registers” on page 8-23
Reserved Page Registers	84h–86h	
Channel 0 DMA Memory Low Page Register	87h	Section 8.2.3, “DMAMEM_LP—DMA Memory Low Page Registers” on page 8-23
Reserved Page Register	88h	

Table A-2. ICH Fixed I/O Registers (Sheet 3 of 4)

Register Name	Port	Datasheet Section and Location
Channel 6 DMA Memory Low Page Register	89h	Section 8.2.3, "DMAMEM_LP—DMA Memory Low Page Registers" on page 8-23
Channel 7 DMA Memory Low Page Register	8Ah	Section 8.2.3, "DMAMEM_LP—DMA Memory Low Page Registers" on page 8-23
Channel 5 DMA Memory Low Page Register	8Bh	Section 8.2.3, "DMAMEM_LP—DMA Memory Low Page Registers" on page 8-23
Reserved Page Registers	8Ch–8Eh	
Refresh Low Page Register	8Fh	
<b>Aliased at 81h–8Fh</b>	91h–9Fh (except 92h)	
Fast A20 and INIT Register	92h	Section 8.7.3, "PORT92—Fast A20 and Init Register" on page 8-50
Slave PIC ICW1 Init. Cmd Word 1 Register	A0h	Section 8.4.2, "ICW1—Initialization Command Word 1 Register" on page 8-33
Slave PIC OCW2 Op Ctrl Word 2 Register		Section 8.4.8, "OCW2—Operational Control Word 2 Register" on page 8-36
Slave PIC OCW3 Op Ctrl Word 3 Register		Section 8.4.9, "OCW3—Operational Control Word 3 Register" on page 8-37
Slave PIC ICW2 Init. Cmd Word 2 Register	A1	Section 8.4.3, "ICW2—Initialization Command Word 2 Register" on page 8-34
Slave PIC ICW3 Init. Cmd Word 3 Register		Section 8.4.5, "ICW3—Slave Controller Initialization Command Word 3 Register" on page 8-35
Slave PIC ICW4 Init. Cmd Word 4 Register		Section 8.4.6, "ICW4—Initialization Command Word 4 Register" on page 8-35
Slave PIC OCW1 Op Ctrl Word 1 Register		Section 8.4.7, "OCW1—Operational Control Word 1 (Interrupt Mask) Register" on page 8-35
<b>Aliased at A0h–A1h</b>	A4h–A5h	
<b>Aliased at A0h–A1h</b>	A8h–A9h	
<b>Aliased at A0h–A1h</b>	ACh–ADh	
<b>Aliased at A0h–A1h</b>	B0h–B1h	
Advanced Power Management Control Port Register	B2h	Section 8.8.2.1, "APM_CNT—Advanced Power Management Control Port Register" on page 8-56
Advanced Power Management Status Port Register	B3h	Section 8.8.2.2, "APM_STS—Advanced Power Management Status Port Register" on page 8-56
<b>Aliased at A0h–A1h</b>	B4h–B5h	
<b>Aliased at A0h–A1h</b>	B8h–B9h	
<b>Aliased at A0h–A1h</b>	BCh–BDh	
Channel 4 DMA Base & Current Address Register	C0h	Section 8.2.1, "DMABASE_CA—DMA Base and Current Address Registers" on page 8-22
<b>Aliased at C0h</b>	C1h	
Channel 4 DMA Base & Current Count Register	C2h	Section 8.2.2, "DMABASE_CC—DMA Base and Current Count Registers" on page 8-23
<b>Aliased at C2h</b>	C3h	
Channel 5 DMA Base & Current Address Register	C4h	Section 8.2.1, "DMABASE_CA—DMA Base and Current Address Registers" on page 8-22
<b>Aliased at C4h</b>	C5h	
Channel 5 DMA Base & Current Count Register	C6h	Section 8.2.2, "DMABASE_CC—DMA Base and Current Count Registers" on page 8-23
<b>Aliased at C6h</b>	C7h	
Channel 6 DMA Base & Current Address Register	C8h	Section 8.2.1, "DMABASE_CA—DMA Base and Current Address Registers" on page 8-22

**Table A-2. ICH Fixed I/O Registers (Sheet 4 of 4)**

Register Name	Port	Datasheet Section and Location
<b>Aliased at C8h</b>	C9h	
Channel 6 DMA Base & Current Count Register	CAh	Section 8.2.2, "DMABASE_CC—DMA Base and Current Count Registers" on page 8-23
<b>Aliased at CAh</b>	CBh	
Channel 7 DMA Base & Current Address Register	CCh	Section 8.2.1, "DMABASE_CA—DMA Base and Current Address Registers" on page 8-22
<b>Aliased at CCh</b>	CDh	
Channel 7 DMA Base & Current Count Register	CEh	Section 8.2.2, "DMABASE_CC—DMA Base and Current Count Registers" on page 8-23
<b>Aliased at CEh</b>	CFh	
Channel 4-7 DMA Command Register Channel 4-7 DMA Status Register	D0h	Section 8.2.4, "DMACMD—DMA Command Register" on page 8-24 Section 8.2.5, "DMASTA—DMA Status Register" on page 8-24
<b>Aliased at D0h</b>	D1h	
Channel 4-7 DMA Write Single Mask Register	D4h	Section 8.2.6, "DMA_WRSMSK—DMA Write Single Mask Register" on page 8-25
<b>Aliased at D4h</b>	D5h	
Channel 4-7 DMA Channel Mode Register	D6h	Section 8.2.7, "DMACH_MODE—DMA Channel Mode Register" on page 8-25
<b>Aliased at D6h</b>	D7h	
Channel 4-7 DMA Clear Byte Pointer Register	D8h	Section 8.2.8, "DMA Clear Byte Pointer Register" on page 8-26
<b>Aliased at D8h</b>	D9h	
Channel 4-7 DMA Master Clear Register	DAh	Section 8.2.9, "DMA Master Clear Register" on page 8-26
<b>Aliased at DAh</b>	DBh	
Channel 4-7 DMA Clear Mask Register	DCh	Section 8.2.10, "DMA_CLMSK—DMA Clear Mask Register" on page 8-26
<b>Aliased at DCh</b>	DEh	
Channel 4-7 DMA Write All Mask Register	DEh	Section 8.2.11, "DMA_WRMSK—DMA Write All Mask Register" on page 8-27
<b>Aliased at DEh</b>	DFh	
Coprocessor Error Register	F0h	Section 8.7.4, "COPROC_ERR—Coprocessor Error Register" on page 8-50
PIO Mode Command Block Offset for Secondary Drive	170h–177h	See ATA Specification for detailed register description
PIO Mode Command Block Offset for Primary Drive	1F0h–1F7h	See ATA Specification for detailed register description
PIO Mode Control Block Offset for Secondary Drive	376h	See ATA Specification for detailed register description
PIO Mode Control Block Offset for Primary Drive	3F6h	See ATA Specification for detailed register description
Master PIC Edge/Level Triggered Register	4D0h	Section 8.4.10, "ELCR1—Master Controller Edge/Level Triggered Register" on page 8-38
Slave PIC Edge/Level Triggered Register	4D1h	Section 8.4.11, "ELCR2—Slave Controller Edge/Level Triggered Register" on page 8-38
Reset Control Register	CF9h	Section 8.7.5, "RST_CNT—Reset Control Register" on page 8-51

**NOTE:** When the POS\_DEC\_EN bit is set, additional I/O ports get positively decoded by the ICH. Refer to Section 8.1.24 through Section 8.1.29 for a listing of these ranges.

Table A-3. ICH Variable I/O Registers (Sheet 1 of 5)

Register Name	Offset	Datasheet Section and Location
<b>Power Management I/O Registers at PMBASE+Offset</b> <b>PMBASE set in Section 8.1.10, "PMBASE—ACPI Base Address (LPC I/F—D31:F0)" on page 8-6</b>		
PM1 Status	00h–01h	Section 8.8.3.1, "PM1_STS—Power Management 1 Status Register" on page 8-58
PM1 Enable	02h–03h	Section 8.8.3.2, "PM1_EN—Power Management 1 Enables Register" on page 8-59
PM1 Control	04h–07h	Section 8.8.3.3, "PM1_CNT—Power Management 1 Control" on page 8-60
PM1 Timer	08h–0Bh	Section 8.8.3.4, "PM1_TMR—Power Management 1 Timer Register" on page 8-60
Processor Control	10h–13h	Section 8.8.3.5, "PROC_CNT—Processor Control Register" on page 8-61
Level 2 Register	14h	Section 8.8.3.6, "LV2 — Level 2 Register" on page 8-62
General Purpose Event 0 Status	28h–29h	Section 8.8.3.7, "GPE0_STS—General Purpose Event 0 Status Register" on page 8-62
General Purpose Event 0 Enables	2Ah–2Bh	Section 8.8.3.8, "GPE0_EN—General Purpose Event 0 Enables Register" on page 8-63
General Purpose Event 1 Status	2Ch–2Dh	Section 8.8.3.9, "GPE1_STS—General Purpose Event 1 Status Register" on page 8-64
General Purpose Event 1 Enables	2Eh–2Fh	Section 8.8.3.10, "GPE1_EN—General Purpose Event 1 Enable Register" on page 8-65
SMI# Control and Enable	30h–31h	Section 8.8.3.11, "SMI_EN—SMI Control and Enable Register" on page 8-65
SMI Status Register	34h–35h	Section 8.8.3.12, "SMI_STS—SMI Status Register" on page 8-66
Monitor SMI Status	40h	Section 8.8.3.13, "IOMON_STS_EN — I/O Monitor Status and Enable Register" on page 8-67
Device Activity Status	44h	Section 8.8.3.14, "DEFACT_STS — Device Activity Status Register" on page 8-68
Bus Address Tracker	4Ch	Section 8.8.3.15, "BUS_ADDR_TRACK— Bus Address Tracker" on page 8-69
Bus Cycle Tracker	4Eh	Section 8.8.3.16, "BUS_CYC_TRACK— Bus Cycle Tracker" on page 8-69



**Table A-3. ICH Variable I/O Registers (Sheet 2 of 5)**

Register Name	Offset	Datasheet Section and Location
<b>TCO I/O Registers at TCOBASE + Offset</b> TCOBASE = PMBASE + 60h <b>PMBASE is set in Section 8.1.10, "PMBASE—ACPI Base Address (LPC I/F—D31:F0)" on page 8-6</b>		
TCO_RLD: TCO Timer Reload and Current Value	00h	Section 8.9.2, "TCO1_RLD—TCO Timer Reload and Current Value" on page 8-70
TCO_TMR: TCO Timer Initial Value	01h	Section 8.9.3, "TCO1_TMR—TCO Timer Initial Value" on page 8-70
TCO_DAT_IN: TCO Data In	02h	Section 8.9.4, "TCO1_DAT_IN—TCO Data In Register" on page 8-71
TCO_DAT_OUT: TCO Data Out	03h	Section 8.9.5, "TCO1_DAT_OUT—TCO Data Out Register" on page 8-71
TCO1_STS : TCO Status	04h–05h	Section 8.9.6, "TCO1_STS—TCO1 Status Register" on page 8-71
TCO2_STS : TCO Status	06h–07h	Section 8.9.7, "TCO2_STS—TCO2 Status Register" on page 8-72
TCO1_CNT: TCO Control	08h–09h	Section 8.9.8, "TCO1_CNT—TCO1 Control Register" on page 8-73
TCO2_CNT: TCO Control	0Ah–0Bh	Section 8.9.9, "TCO2_CNT—TCO2 Control Register" on page 8-73
<b>GPIO I/O Registers at GPIOBASE + Offset</b> <b>GPIOBASE is set in Section 8.1.14, "GPIOBASE—GPIO Base Address (LPC I/F—D31:F0)" on page 8-8</b>		
GPIO Use Select	00h–03h	Section 8.10.2, "GPIO_USE_SEL—GPIO Use Select Register" on page 8-79
GPIO Input/Output Select	04h–07h	Section 8.10.3, "GP_IO_SEL—GPIO Input/Output Select Register" on page 8-80
GPIO Level for Input or Output	0Ch–0Fh	Section 8.10.4, "GP_LVL—GPIO Level for Input or Output Register" on page 8-81
GPIO TTL Select	14h–17h	Section 8.10.5, "GPO_TTL—GPIO TTL Select Register" on page 8-81
GPIO Blink Enable	18h–1Bh	Section 8.10.6, "GPO_BLINK—GPO Blink Enable Register" on page 8-82
GPIO Signal Invert	2Ch–2Fh	Section 8.10.7, "GPI_INV—GPIO Signal Invert Register" on page 8-82
<b>BMIDE I/O Registers at BM_BASE + Offset</b> <b>BM_BASE is set at Section 9.1.11, "BM_BASE—Bus Master Base Address Register (IDE—D31:F1)" on page 9-5</b>		
Command Register Primary	00h	Section 9.2.1, "BMIC[P,S]—Bus Master IDE Command Register" on page 9-12
Status Register Primary	02h	Section 9.2.2, "BMIS[P,S]—Bus Master IDE Status Register" on page 9-13
Descriptor Table Pointer Primary	04h–07h	Section 9.2.3, "BMID[P,S]—Bus Master IDE Descriptor Table Pointer Register" on page 9-13
Command Register Secondary	08h	Section 9.2.1, "BMIC[P,S]—Bus Master IDE Command Register" on page 9-12
Status Register Secondary	0Ah	Section 9.2.2, "BMIS[P,S]—Bus Master IDE Status Register" on page 9-13
Descriptor Table Pointer Secondary	0Ch–0Fh	Section 9.2.3, "BMID[P,S]—Bus Master IDE Descriptor Table Pointer Register" on page 9-13

Table A-3. ICH Variable I/O Registers (Sheet 3 of 5)

Register Name	Offset	Datasheet Section and Location
<b>USB I/O Registers at Base Address + Offset</b> <b>USB Base Address is set at Section 10.1.10, "BASE—Base Address Register (USB—D31:F2)" on page 10-4</b>		
USB Command Register	00h–01h	Section 10.2.1, "USBCMD—USB Command Register" on page 10-8
USB Status Register	02h–03h	Section 10.2.2, "USBSTA—USB Status Register" on page 10-11
USB Interrupt Enable	04h–05h	Section 10.2.3, "USBINTR—Interrupt Enable Register" on page 10-12
USB Frame Number	06h–07h	Section 10.2.4, "FRNUM—Frame Number Register" on page 10-12
USB Frame List Base Address	08h–0Bh	Section 10.2.5, "FRBASEADD—Frame List Base Address" on page 10-13
USB Start of Frame Modify	0Ch	Section 10.2.6, "SOFMOD—Start of Frame Modify Register" on page 10-13
Port 0 Status/Control	10h–11h	Section 10.2.7, "PORTSC[0,1]—Port Status and Control Register" on page 10-14
Port 1 Status/Control	12h–13h	Section 10.2.7, "PORTSC[0,1]—Port Status and Control Register" on page 10-14
Loop Back Test Data	18h	
<b>SMBus I/O Registers at SMB_BASE + Offset</b> <b>SMB_BASE is set at Section 11.1.10, "SMB_BASE—SMBus Base Address Register (SMBUS—D31:F3)" on page 11-4</b>		
Host Status	00h	Section 11.2.1, "HST_STA—Host Status Register" on page 11-7
Host Control	02h	Section 11.2.2, "HST_CNT—Host Control Register" on page 11-8
Host Command	03h	Section 11.2.3, "HST_CMD—Host Command Register" on page 11-9
Transmit Slave Address	04h	Section 11.2.4, "XMIT_SLVA—Transmit Slave Address Register" on page 11-9
Host Data 0	05h	Section 11.2.5, "D0—Data 0 Register" on page 11-9
Host Data 1	06h	Section 11.2.6, "D1—Data 1 Register" on page 11-9
Block Data Byte	07h	Section 11.2.7, "BLOCK_DB—Block Data Byte Register" on page 11-10
<b>AC'97 Audio I/O Registers at NAMBAR + Offset</b> <b>NAMBAR is set at Section 12.1.10, "NAMBAR—Native Audio Mixer Base Address Register (Audio—D31:F5)" on page 12-5</b>		
PCM In Buffer Descriptor list Base Address Register	00h	Section 12.2.1, "x_BDBAR—Buffer Descriptor Base Address Register" on page 12-10
PCM In Current Index Value	04h	Section 12.2.2, "x_CIV—Current Index Value Register" on page 12-10
PCM In Last Valid Index	05h	Section 12.2.3, "x_LVI—Last Valid Index Register" on page 12-10
PCM In Status Register	06h	Section 12.2.4, "x_SR—Status Register" on page 12-11

**Table A-3. ICH Variable I/O Registers (Sheet 4 of 5)**

Register Name	Offset	Datasheet Section and Location
PCM In Position In Current Buffer	08h	Section 12.2.5, "x_PICB—Position In Current Buffer Register" on page 12-12
PCM In Prefetched Index Value	0Ah	Section 12.2.6, "x_PIV—Prefetched Index Value Register" on page 12-12
PCM In Control Register	0Bh	Section 12.2.7, "x_CR—Control Register" on page 12-13
PCM Out Buffer Descriptor list Base Address Register	10h	Section 12.2.1, "x_BDBAR—Buffer Descriptor Base Address Register" on page 12-10
PCM Out Current Index Value	14h	Section 12.2.2, "x_CIV—Current Index Value Register" on page 12-10
PCM Out Last Valid Index	15h	Section 12.2.3, "x_LVI—Last Valid Index Register" on page 12-10
PCM Out Status Register	16h	Section 12.2.4, "x_SR—Status Register" on page 12-11
PCM Out Position In Current Buffer	18h	Section 12.2.5, "x_PICB—Position In Current Buffer Register" on page 12-12
PCM Out Prefetched Index Value	1Ah	Section 12.2.6, "x_PIV—Prefetched Index Value Register" on page 12-12
PCM Out Control Register	1Bh	Section 12.2.7, "x_CR—Control Register" on page 12-13
Mic. In Buffer Descriptor list Base Address Register	20h	Section 12.2.1, "x_BDBAR—Buffer Descriptor Base Address Register" on page 12-10
Mic. In Current Index Value	24h	Section 12.2.2, "x_CIV—Current Index Value Register" on page 12-10
Mic. In Last Valid Index	25h	Section 12.2.3, "x_LVI—Last Valid Index Register" on page 12-10
Mic. In Status Register	26h	Section 12.2.4, "x_SR—Status Register" on page 12-11
Mic In Position In Current Buffer	28h	Section 12.2.5, "x_PICB—Position In Current Buffer Register" on page 12-12
Mic. In Prefetched Index Value	2Ah	Section 12.2.6, "x_PIV—Prefetched Index Value Register" on page 12-12
Mic. In Control Register	2Bh	Section 12.2.7, "x_CR—Control Register" on page 12-13
Global Control	2Ch	Section 12.2.8, "GLOB_CNT—Global Control Register" on page 12-14
Global Status	30h	Section 12.2.9, "GLOB_STA—Global Status Register" on page 12-14
Codec Access Semaphore Register	34h	Section 12.2.10, "CAS—Codec Access Semaphore Register" on page 12-16

Table A-3. ICH Variable I/O Registers (Sheet 5 of 5)

Register Name	Offset	Datasheet Section and Location
<b>AC'97 Modem I/O Registers at MBAR + Offset</b> <b>MBAR is set in Section 13.1.11, "MBAR—Modem Base Address Register (Modem—D31:F6)" on page 13-5</b>		
Modem In Buffer Descriptor List Base Address Register	00h	Section 13.2.1, "x_BDBAR—Buffer Descriptor List Base Address Register" on page 13-10
Modem In Current Index Value Register	04h	Section 13.2.2, "x_CIV—Current Index Value Register" on page 13-10
Modem In Last Valid Index Register	05h	Section 13.2.3, "x_LVI—Last Valid Index Register" on page 13-10
Modem In Status Register	06h	Section 13.2.4, "x_SR—Status Register" on page 13-11
Modem In Position In Current Buffer Register	08h	Section 13.2.5, "x_PICB—Position In Current Buffer Register" on page 13-12
Modem In Prefetch Index Value Register	0Ah	Section 13.2.6, "x_PIV—Prefetch Index Value Register" on page 13-12
Modem In Control Register	0Bh	Section 13.2.7, "x_CR—Control Register" on page 13-13
Modem Out Buffer Descriptor List Base Address Register	10h	Section 13.2.1, "x_BDBAR—Buffer Descriptor List Base Address Register" on page 13-10
Modem Out Current Index Value Register	14h	Section 13.2.2, "x_CIV—Current Index Value Register" on page 13-10
Modem Out Last Valid Register	15h	Section 13.2.3, "x_LVI—Last Valid Index Register" on page 13-10
Modem Out Status Register	16h	Section 13.2.4, "x_SR—Status Register" on page 13-11
Modem In Position In Current Buffer Register	18h	Section 13.2.5, "x_PICB—Position In Current Buffer Register" on page 13-12
Modem Out Prefetched Index Register	1Ah	Section 13.2.6, "x_PIV—Prefetch Index Value Register" on page 13-12
Modem Out Control Register	1Bh	Section 13.2.7, "x_CR—Control Register" on page 13-13
Global Control	3Ch	Section 13.2.8, "GLOB_CNT—Global Control Register" on page 13-14
Global Status	40h	Section 13.2.9, "GLOB_STA—Global Status Register" on page 13-14
Codec Access Semaphore Register	44h	Section 13.2.10, "CAS—Codec Access Semaphore Register" on page 13-15

## A

AC '97 Cold Reset# 13-13  
 AC '97 Interrupt Routing 14-6  
 AC '97 Interrupt Routing 13-7  
 AC'97 Cold Reset# 14-12  
 AC'97 Warm Reset 13-13, 14-12  
 AC97\_EN 9-58  
 AC97\_STS 9-58  
 ACLINK Shut Off 13-13, 14-11  
 ACPI\_EN 9-5  
 ADDRESS 12-7  
 Address Increment/Decrement Select  
     9-23  
 ADLIB\_LPC\_EN 9-15  
 AFTERG3\_EN 9-49  
 Alarm Flag (AF) 9-44  
 Alarm Interrupt Enable (AIE) 9-43  
 ALTACC\_EN 9-11  
 Alternate A20 Gate  
     (ALT\_A20\_GATE) 9-46  
 APIC ID 9-37  
 APIC Index 9-37  
 APIC\_EN 9-11  
 APM\_STS 9-61  
 APMC\_EN 9-60  
 Autoinitialize Enable 9-23  
 Automatic End of Interrupt (AEOI)  
     9-32

## B

Base Address 9-5, 9-7, 10-4, 11-4,  
     11-12, 12-3, 13-5, 14-4, 14-5  
 Base address of Descriptor table  
     (BADDR) 10-10  
 Base and Current Address 9-21  
 Base and Current Count 9-21  
 Base Class Code 9-4, 10-3, 11-4, 12-3,  
     13-4  
 Base Class Code Value 14-4  
 Base Class Code. 8-4

Binary/BCD Countdown Select 9-26  
 BIOS\_EN 9-60  
 BIOS\_RLS 9-60  
 BIOS\_STS 9-61  
 BIOSWP 9-6  
 BIOSWR\_STS 9-66  
 Bit 1 of slot 12 13-14, 14-12  
 Bit 2 of slot 12 13-14, 14-12  
 Bit 3 of slot 12 13-14, 14-12  
 BLE 9-6  
 BOOT\_STS 9-67  
 Buffer Completion Interrupt Status  
     (BCIS) 13-11, 14-9  
 Buffered Mode (BUF) 9-32  
 Bus Master Enable (BME) 8-2, 10-2,  
     13-2, 14-2  
 Bus Master IDE Active (ACT) 10-10  
 BUS\_ERR 12-5

## C

Cascaded Interrupt Controller IRQ  
     Connection 9-31  
 Channel 0 Select 9-10  
 Channel 1 Select 9-10  
 Channel 2 Select. 9-10  
 Channel 3 Select 9-10  
 Channel 5 Select 9-10  
 Channel 6 Select 9-10  
 Channel 7 Select 9-10  
 Channel Mask Bits 9-25  
 Channel Mask Select 9-23  
 Channel Request Status 9-22  
 Channel Terminal Count Status 9-23  
 Clear Byte Pointer 9-24  
 Clear Mask Register 9-24  
 CNF1\_LPC\_EN 9-15  
 CNF2\_LPC\_EN 9-15  
 Codec Write In Progress (CWIP) 13-15  
 COMA Decode Range 9-13  
 COMA\_LPC\_EN 9-15

COMB Decode Range 9-12  
 COMB\_LPC\_EN 9-15  
 Configure Flag (CF) 11-8  
 Connect Status Change 11-14  
 COPR\_ERR\_EN 9-10  
 COPROC\_ERR 9-46  
 Count Register Status 9-27  
 Countdown Type Status 9-28  
 Counter 0 Select 9-27  
 Counter 1 Select 9-27  
 Counter 2 Select 9-27  
 Counter Latch Command 9-27  
 Counter Mode Selection 9-26  
 Counter OUT Pin State 9-27  
 Counter Port 9-29  
 Counter Select 9-26  
 Counter Selection 9-27  
 CPUSLP\_EN  
     9-48  
 Current Connect Status 11-14  
 Current Equals Last Valid (CELV)  
     13-11, 14-10  
**D**  
 D0\_TRP\_STS 9-63  
 D1\_TRP\_STS 9-63  
 D10\_TRP\_STS 9-62  
 D11\_TRP\_STS 9-62  
 D12\_TRP\_STS 9-62  
 D13\_TRP\_STS 9-62, 9-64  
 D2\_TRP\_STS 9-63  
 D3\_TRP\_STS 9-63  
 D6\_TRP\_STS 9-62  
 D7\_TRP\_STS 9-62  
 D8\_TRP\_STS 9-62  
 D9\_TRP\_STS 9-62  
 DATA 12-8  
 Data Mode (DM) 9-43  
 Data Parity Error Detected 8-7  
 Data Parity Error Detected (DPD) 8-3  
 DATA0/COUNT 12-7  
 DATA1 12-7  
 Date Alarm 9-44  
 Daylight Savings Enable (DSE) 9-44  
 DCB\_EN 9-11  
 Delivery Mode 9-39  
 Delivery Status 9-39  
 Destination 9-38  
 Destination Mode 9-39  
 Detected Parity Error (DPE) 8-3  
 DEV\_ERR 12-5  
 DEV\_STS 9-3  
 Device ID Value 9-2, 11-2, 13-2, 14-2  
 Device ID value 12-1  
 Device Identification Number 8-2  
 DEVMON\_STS 9-61  
 DEVn\_TMR\_STS 9-62  
 DEVSEL# Timing Status (DEVT)  
     10-2, 11-3, 12-2, 13-3  
 DEVT (DEVSEL# Timing Status) 14-3  
 DMA Channel Group Enable 9-22  
 DMA Channel Select 9-23, 9-24  
 DMA Controller Halted (DCH) 13-11,  
     14-10  
 DMA Group Arbitration Priority 9-22  
 DMA Transfer Mode 9-23  
 DMA Transfer Type 9-24  
 DPE 9-3  
 DPED 9-3  
 Drive 0 DMA Capable 10-9  
 Drive 0 DMA Timing Enable (DTE0)  
     10-5  
 Drive 0 Fast Timing Bank (TIME0)  
     10-5  
 Drive 0 IORDY Sample Point Enable  
     (IE0) 10-5  
 Drive 0 Prefetch/Posting Enable  
     (PPE0) 10-5  
 Drive 1 DMA Capable 10-9  
 Drive 1 DMA Timing Enable (DTE1)  
     10-5  
 Drive 1 Fast Timing Bank (TIME1)  
     10-5  
 Drive 1 IORDY Sample Point Enable  
     (IE1) 10-5  
 Drive 1 Prefetch/Posting Enable  
     (PPE1) 10-5

- Drive 1 Timing Register Enable (SITRE) 10-4
- DTE 9-11
- DUALP 9-11
- E**
- Edge/Level Bank Select (LTIM) 9-30
- Enable Special Mask Mode (ESMM) 9-33
- Enter Global Suspend Mode (EGSM) 11-8
- EOS 9-60
- Error 10-9
- F**
- F1\_Disable 9-18
- F2\_Disable 9-18
- F3\_Disable 9-18
- F6\_Disable 9-18
- FAILED 12-5
- Fast Back to Back 8-7
- Fast Back to back Capable (FBC) 13-3
- Fast Back to Back Enable (FBE) 8-2
- FBC (Fast Back to back Capable) 14-3
- FDD Decode Range 9-13
- FDD\_LPC\_EN 9-15
- FIFO error (FIFOE) 13-11, 14-9
- FIFO Error Interrupt Enable (FEIE) 13-12, 14-11
- Force Global Resume (FGR) 11-8
- Frame List Current Index/Frame Number 11-11
- G**
- GAMEH\_LPC\_EN 9-15
- GAMEL\_LPC\_EN 9-15
- GBL\_STS 9-53
- GBL\_EN 9-54
- GBL\_RLS 9-55
- GBL\_SMI\_EN 9-60
- GEN1\_BASE 9-14
- GEN1\_EN 9-14
- GEN2\_BASE 9-14
- GEN2\_EN 9-14
- Global Reset (GRESET) 11-8
- GP\_BLINK 9-74
- GP\_IO\_SEL 9-72
- GP\_LVL 9-73
- GPE0\_STS 9-61
- GPE1\_STS 9-61
- GPI Interrupt Enable (GIE) 13-13, 14-12
- GPI Status Change Interrupt (GSCI) 13-14, 14-13
- GPIO\_EN 9-7
- GPIO\_USE\_SEL 9-72
- GST\_STS 9-61
- H**
- HCHalted 11-10
- Header Type 9-4
- Header Type Value 13-4
- Header Type. 8-5
- Header Value 14-4
- Hole Enable (15MB-16MB). 8-10
- Host Controller Process Error 11-10
- Host Controller Reset (HCRESET) 11-8
- Host System Error 11-10
- HOST\_BUSY 12-5
- Hour Format (HOURFORM) 9-44
- HST\_EN 12-4
- I**
- I/O Addressing Capability 8-6
- I/O APIC Identification 9-38
- I/O Space (IOS) 14-2
- I/O Space Enable (IOE) 8-3
- I/O Space Enable (IOSE) 11-2, 12-2
- I2C\_EN 12-4
- ICW/OCW select 9-30
- ICW4 Write Required (IC4) 9-30
- IDE Decode Enable (IDE) 10-4
- INIT\_NOW 9-46
- Input Inversion 9-74
- Interrupt 10-9
- Interrupt Input Pin Polarity 9-39
- Interrupt Level Select (L2, L1, L0) 9-33
- Interrupt Line 11-4, 13-6, 14-6
- Interrupt line 12-3

Interrupt On Complete (IOC) Enable  
     11-11  
 Interrupt On Completion Enable  
     (IOCE) 13-12, 14-11  
 Interrupt PIN 12-4  
 Interrupt pin 11-4  
 Interrupt Request Flag (IRQF) 9-44  
 Interrupt Request Level 9-31  
 Interrupt Request Mask 9-32  
 Interrupt Vector Base Address 9-30  
 INTR 12-5  
 INTRD\_SEL 9-68  
 INTREN 12-6  
 Intruder Detect (INTRD\_DET) 9-67  
 IO Space Indicator 12-3  
 IOCHK# NMI Enable  
     (IOCHK\_NMI\_EN) 9-45  
 IOCHK# NMI Source Status  
     (IOCHK\_NMI\_STS) 9-45  
 IORDY Sample Point (ISP) 10-4  
 IOS (I/O Space) 13-2  
 IOSE - I/O Space Enable (IOSE) 10-2  
 IRQ Number 9-40  
 IRQ Routing 9-8  
 IRQ10 ECL 9-35  
 IRQ11 ECL 9-35  
 IRQ12 ECL 9-34  
 IRQ13 ECL 9-34  
 IRQ14 ECL 9-34  
 IRQ15 ECL 9-34  
 IRQ3 ECL 9-34  
 IRQ4 ECL 9-34  
 IRQ5 ECL 9-34  
 IRQ6 ECL 9-34  
 IRQ7 ECL 9-34  
 IRQ9 ECL 9-35  
 IRQEN 9-7  
 ISA Enable 8-9  
  
**K**  
 KBC\_LPC\_EN 9-15  
 KILL 12-6

**L**  
 L128LOCK 9-12  
 Last Valid Buffer Completion Interrupt  
     (LVBCI) 13-11, 14-10  
 Last Valid Buffer Interrupt Enable  
     (LVBIE) 13-12, 14-11  
 Latch Count of Selected Counters 9-26  
 Latch Status of Selected Counters 9-26  
 LEGACY\_USB\_EN 9-60  
 LEGACY\_USB\_STS 9-61  
 Line Status 11-14  
 Loop Back Test Mode 11-7  
 Low Speed Device Attached (LS)  
     11-14  
 Low Speed PreSOF Disable 11-5  
 LPT Decode Range 9-13  
 LPT\_LPC\_EN 9-15  
  
**M**  
 MAS (Master-Abort Status) 14-3  
 Mask 9-39  
 Master Abort Mode 8-9  
 Master Clear 9-24  
 Master Latency Count. 8-6  
 Master/Slave in Buffered Mode 9-32  
 Master-Abort Status (MAS) 13-3  
 Max Packet (MAXP) 11-8  
 Maximum Redirection Entries 9-37  
 MC\_LPC\_EN 9-15  
 MCHNMI\_STS 9-66  
 MCHSCI\_STS 9-66  
 MCHSERR\_STS 9-66  
 MCHSMI\_STS 9-66  
 Memory Address Base. 8-7  
 Memory Address Limit. 8-7  
 Memory Space Enable (MSE) 8-3  
 Mic In Interrupt (MINT) 13-14, 14-12  
 Microprocessor Mode 9-32  
 MIDI Decode Range 9-14  
 MIDI\_LPC\_EN 9-15  
 Mode Selection Status 9-28  
 Modem In Interrupt (MIINT) 13-14,  
     14-13



- Modem Out Interrupt (MOINT) 13-14, 14-13
- MSS Decode Range 9-14
- MSS\_LPC\_EN 9-15
- Multi-function Device 9-4
- Multi-function Device. 8-4
- Multi-Transaction Timer Count Value. 8-10
  
- N**
- GPI 9-59
- NMI Enable (NMI\_EN) 9-45
- NMI\_NOW 9-67
- NMI2SMI\_EN 9-67
  
- O**
- OCW2 Select 9-33
- OCW3 Select 9-33
- Overcurrent Active 11-13
- Overcurrent Indicator 11-13
  
- P**
- Parity Error Response 8-2
- Parity Error Response Enable 8-9
- Pass Through State (PSTATE) 11-6
- PCI Interrupt Enable (USBPIRQEN) 11-5
- PCI Master Request Status (PCI\_MREQ\_STS). 8-10
- PCI SERR# Enable (PCI\_SERR\_EN) 9-45
- PCM In Interrupt (PIINT) 14-13
- PCM Out Interrupt (POINT) 13-14, 14-13
- Periodic Interrupt Enable (PIE) 9-43
- Periodic Interrupt Flag (PF) 9-44
- PM1\_STS\_REG 9-61
- PME\_EN 9-58
- PME\_STS 9-57
- Poll Mode Command 9-34
- Port Enable/Disable Change 11-14
- Port Enabled/Disabled (PORT\_EN) 11-14
- Port Reset 11-13
- PORT0EN 11-6
- PORT1EN 11-6
- POS\_DEC\_EN 9-11
- PRBTNOR\_STS 9-53
- Primary Resume Interrupt Enable 13-13, 14-11
- Primary Bus Number. 8-5
- Primary Codec Ready (PCR) 13-14, 14-12
- Primary Drive 0 Cycle Time (PCT0) 10-7
- Primary Drive 0 Synchronous DMA Mode Enable (PSDE0) 10-6
- Primary Drive 1 Cycle Time (PCT1) 10-7
- Primary Drive 1 IORDY Sample Point (PISP1) 10-6
- Primary Drive 1 Recovery Time (PRCT1) 10-6
- Primary Drive 1 Synchronous DMA Mode Enable (PSDE1) 10-6
- Primary Resume Interrupt 13-14, 14-12
- Programming Interface 13-3
- Programming Interface Value 9-4, 10-3, 14-3
- PRQ 9-38
- PWR\_FLR 9-49
- PWRBTN\_\_STS 9-53
- PWRBTN\_EN 9-54
- PWRBTN\_LVL 9-48
- PWROK\_FLR 9-49
  
- R**
- Read / Write Control (RWC) 10-9
- Read Back Command 9-26
- Read/Write Select 9-26
- Read/Write Selection Status 9-28
- Real Time Clock Index Address (RTC\_INDX) 9-46
- Received Master Abort (RMA) 8-3, 8-6
- Received Master-Abort Status (RMA) 10-2, 11-2
- Received System Error (SSE) 8-6
- Received Target Abort (RTA) 8-3, 8-7

- Received Target-Abort Status (RTA) 11-2, 13-3
- Recovery Time (RCT) 10-4
- Redirection Entry Clear 9-40
- Refresh Cycle Toggle (REF\_TOGGLE) 9-45
- Register Read Command 9-34
- Remote IRR 9-39
- Reset CPU (RST\_CPU) 9-47
- Reset Registers(RR) 14-11
- Reset Registers(RR). 13-12
- Resource Indicator 9-5, 9-7
- Resource Type Indicator (RTE) 10-4, 11-4, 13-5, 13-6, 14-4, 14-5
- Resume Detect (RSM\_DET) 11-10, 11-14
- Resume Interrupt Enable 11-11
- Revision ID Value 13-3, 14-3
- Revision Identification Number 9-4
- Revision Identification Number. 8-4
- RI\_EN 9-58
- RI\_STS 9-57
- RMA 9-3
- Rotate and EOI Codes (R, SL, EOI) 9-33
- Route 9-50
- RTA 9-3
- RTA (Received Target-Abort Status) 14-3
- RTC\_EN 9-54
- RTC\_STS 9-53
- Run/Pause Bus master (RPBM) 13-12, 14-11
- Run/Stop (RS) 11-9
- RW 12-7
- S**
- SB16 Decode Range 9-14
- SB16\_LPC\_EN 9-15
- SCI\_EN 9-55
- SCI\_IRQ\_SEL 9-5
- SECOND\_TO\_STS 9-67
- Secondary Bus Number. 8-5
- Secondary Codec Ready (SCR) 13-14, 14-12
- Secondary Drive 0 Cycle Time (SCT0) 10-7
- Secondary Drive 0 Synchronous DMA Mode Enable (SSDE0) 10-6
- Secondary Drive 1 Cycle Time (SCT1) 10-7
- Secondary Drive 1 IORDY Sample Point (SISP1) 10-5
- Secondary Drive 1 Recovery Time (SRCT1) 10-6
- Secondary Drive 1 Synchronous DMA Mode Enable (SSDE1) 10-6
- Secondary Resume Interrupt 13-14, 14-12
- Secondary Resume Interrupt Enable 13-13, 14-11
- Serial Bus Release Number 11-5
- SERIRQ\_SMI\_STS 9-61
- SERR# Due to Delayed Transaction Timeout (SERR\_DTT). 8-11
- SERR# Due to Received Target Abort (SERR\_RTA). 8-11
- SERR# Enable 8-9
- SERR# Enable (SERR\_EN) 8-2
- SERR# enable on Delayed Transaction Timeout (SERR\_DTT\_EN). 8-11
- SERR# enable on receiving target abort (SERR\_RTA\_EN). 8-11
- SERR# NMI Source Status (SERR#\_NMI\_STS) 9-45
- SERR\_DTT 9-9
- SERR\_DTT\_EN 9-9
- SERR\_EN 9-2
- SERR\_RTA 9-9
- SERR\_RTA\_EN 9-9
- SFPW 9-8
- Short Packet Interrupt Enable 11-11
- Signaled Target Abort (STA) 8-3
- Signaled Target-Abort Status 12-2
- Signaled Target-Abort Status (STA) 10-2, 11-3, 13-3

- Single or Cascade (SNGL) 9-30
  - SIRQEN 9-8
  - SIRQMD 9-8
  - SIRQSZ 9-8
  - Slave Identification Code 9-31
  - SLP\_EN 9-55
  - SLP\_TYP 9-55
  - SMB\_CMD 12-6
  - SMB\_SMI\_EN 12-4
  - SMB\_WAK\_EN 9-58
  - SMB\_WAK\_STS 9-58
  - SMBALERT\_STS 12-5
  - SMI at End of Pass-through Enable  
(SMIATENDPS) 11-6
  - SMI Caused by End of Pass-through  
(SMIBYENDPS) 11-5
  - SMI Caused by Port 60 Read  
(TRAPBY60R) 11-6
  - SMI Caused by Port 60 Write  
(TRAPBY60W) 11-6
  - SMI Caused by Port 64 Read  
(TRAPBY64R) 11-6
  - SMI Caused by Port 64 Write  
(TRAPBY64W) 11-6
  - SMI Caused by USB Interrupt  
(SMIBYUSB) 11-5
  - SMI on Port 60 Reads Enable (60REN)  
11-6
  - SMI on Port 60 Writes Enable  
(60WEN) 11-6
  - SMI on Port 64 Reads Enable (64REN)  
11-6
  - SMI on Port 64 Writes Enable  
(64WEN) 11-6
  - SMI on USB IRQ (USBSMIEN) 11-6
  - SOF Timing Value 11-13
  - Software Debug (SWDBG) 11-8
  - Speaker Data Enable  
(SPKR\_DAT\_EN) 9-45
  - Special Fully Nested Mode (SFNM)  
9-32
  - Special Mask Mode (SMM) 9-33
  - Square Wave Enable (SQWE) 9-43
  - SSE 9-3
  - STA 9-3
  - STA (Signaled Target-Abort Status)  
14-3
  - START 12-6
  - Start/Stop Bus Master (START) 10-9
  - Sub Class Code 10-3, 11-3, 12-3, 13-4
  - Sub Class Code Value 14-4
  - Sub-Class Code 9-4
  - Sub-Class Code. 8-4
  - Subordinate Bus Number. 8-5
  - Subsystem ID Value 13-6, 14-6
  - Subsystem Vendor ID Value 13-6, 14-5
  - Suspend 11-13
  - SW\_TCO\_SMI 9-67
  - SWSMI\_TMR\_EN 9-60
  - SWSMI\_TMR\_STS 9-61
  - System Reset (SYS\_RST) 9-46
- T**
- TCO\_EN 9-60
  - TCO\_INT\_STS 9-67
  - TCO\_IRQ\_EN 9-6
  - TCO\_IRQ\_SEL 9-6
  - TCO\_STS 9-61
  - TCOSCI\_EN 9-58
  - TCOSCI\_STS 9-58
  - THRM#\_POL 9-59
  - THRM\_DTY 9-56
  - THRM\_EN 9-59
  - THRM\_STS 9-58
  - THRMOR\_STS 9-58
  - THT\_EN 9-56
  - THTL\_DTY 9-56
  - THTL\_STS 9-56
  - TIMEOUT 9-66
  - Timeout/CRC Interrupt Enable 11-11
  - Timer Counter 2 Enable  
(TIM\_CNT2\_EN) 9-45
  - Timer Counter 2 OUT Status  
(TMR2\_OUT\_STS) 9-45
  - TMR\_VAL 9-55
  - TMROF\_EN 9-54
  - TMROF\_STS 9-54
  - Trigger Mode 9-39

**U**

U128E 9-12  
U128LOCK 9-12  
Update Cycle Inhibit (SET) 9-43  
Update In Progress (UIP) 9-42  
Update-ended Flag (UF) 9-44  
Update-ended Interrupt Enable (UIE)  
9-43  
USB Error Interrupt 11-10  
USB Interrupt (USBINT) 11-10  
USB\_EN 9-59  
USB\_STS 9-58

**V**

Valid RAM and Time Bit (VRT) 9-44

Vendor ID Value 9-2, 11-1, 12-1, 13-2,  
14-2  
Vendor Identification Number 8-2  
Version 9-38  
VGA Enable 8-9

**W**

WAK\_STS 9-53  
WR\_PingPong\_EN 10-8



## **Intel around the world**

### **United States and Canada**

Intel Corporation  
Robert Noyce Building  
2200 Mission College Boulevard  
P.O. Box 58119  
Santa Clara, CA 95052-8119  
USA  
Phone: (800) 628-8686

### **Europe**

Intel Corporation (U.K.) Ltd.  
Pipers Way  
Swindon  
Wiltshire SN3 1RJ  
UK

Phone:

England	(44) 1793 403 000
Germany	(49) 89 99143 0
France	(33) 1 4571 7171
Italy	(39) 2 575 441
Israel	(972) 2 589 7111
Netherlands	(31) 10 286 6111
Sweden	(46) 8 705 5600

### **Asia Pacific**

Intel Semiconductor Ltd.  
32/F Two Pacific Place  
88 Queensway, Central  
Hong Kong, SAR  
Phone: (852) 2844 4555

### **Japan**

Intel Kabushiki Kaisha  
P.O. Box 115 Tsukuba-gakuen  
5-6 Tokodai, Tsukuba-shi  
Ibaraki-ken 305  
Japan  
Phone: (81) 298 47 8522

### **South America**

Intel Semicondutores do Brazil  
Rua Florida 1703-2 and CJ22  
CEP 04565-001 Sao Paulo-SP  
Brazil  
Phone: (55) 11 5505 2296

### **For More Information**

To learn more about Intel Corporation, visit our site  
on the World Wide Web at [www.intel.com](http://www.intel.com)

