

## STEERING DIODE ARRAY

## APPLICATIONS

- ✓ Notebook & Desktop Computers
- ✓ Set Top Box Interface
- ✓ Video Port Protection
- ✓ Handheld Electronics
- ✓ Personal Digital Assistant (PDA)
- ✓ Sensor Interface

## IEC COMPATIBILITY (EN61000-4)

- ✓ 61000-4-2 (ESD): Air - 15kV, Contact - 8kV
- ✓ 61000-4-4 (EFT): 40A - 5/50ns

## FEATURES

- ✓ ESD Protection > 40 kilovolts
- ✓ 350mW Continuous Power Dissipation
- ✓ Provides Six (6) Lines of Protection
- ✓ Low Leakage Current < 1.0 $\mu$ A
- ✓ Ultra Low Capacitance: 3pF Typical
- ✓ RoHS Compliant

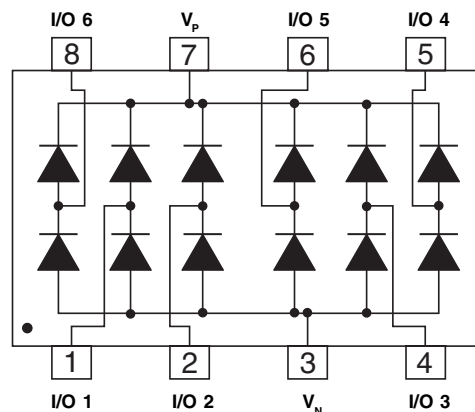
## MECHANICAL CHARACTERISTICS

- ✓ Molded JEDEC SO-8
- ✓ Weight 70 milligrams (Approximate)
- ✓ Available in Lead-Free Pure-Tin Plating(Annealed)
- ✓ Solder Reflow Temperature:  
Pure-Tin - Sn, 100: 260-270°C
- ✓ Consult Factory for Leaded Device Availability
- ✓ Flammability Rating UL 94V-0
- ✓ 12mm Tape and Reel Per EIA Standard 481
- ✓ Marking: Part Number, Logo, Date Code & Pin One Defined By Dot on Top of Package



SO-8

## PIN CONFIGURATION



## DEVICE CHARACTERISTICS

### MAXIMUM RATINGS @ 25°C Unless Otherwise Specified

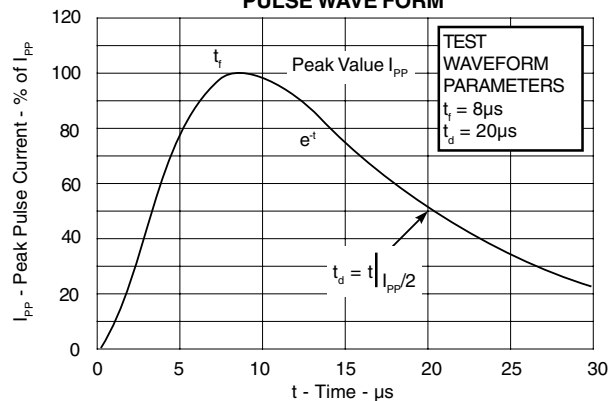
PARAMETER	SYMBOL	VALUE	UNITS
Operating Temperature	$T_A$	-55 to 150	°C
Storage Temperature	$T_{STG}$	-55 to 150	°C
Continuous Power Dissipation	$P_{PC}$	350	mW

### ELECTRICAL CHARACTERISTICS PER LINE @ 25°C Unless Otherwise Specified

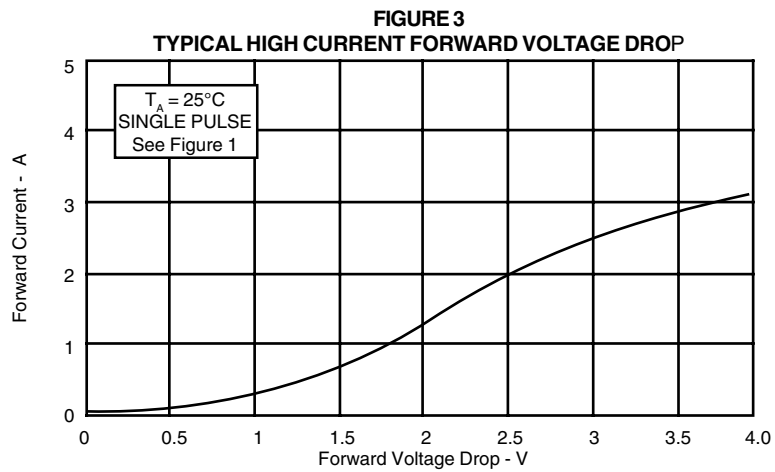
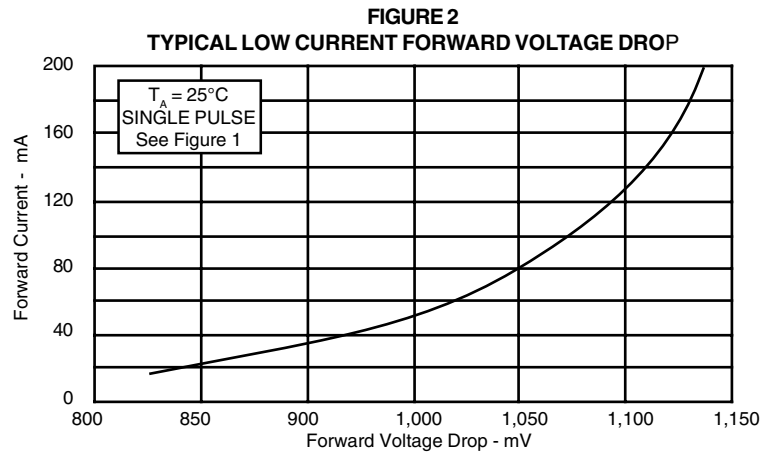
PART NUMBER	DEVICE MARKING CODE	REPETITIVE PEAK REVERSE VOLTAGE (See Note 1) $V_{RRM}$ VOLTS	MAXIMUM FORWARD VOLTAGE @ 20mA $V_F$ VOLTS	MAXIMUM PEAK PULSE FORWARD CURRENT (See Fig. 1) @ 8/20µs $I_{FM}$ AMPS	MAXIMUM REVERSE LEAKAGE CURRENT $V_{RRM}$ @ 5.5V $I_R$ µA	TYPICAL CAPACITANCE @ 0V, 1 MHz $C_j$ pF
IO6LC	IO6LC	30	0.95	3.5	0.1	3

**Note 1:**  $V_{RRM}$  is  $+V_{CC}$  to pin 7,  $-V_{EE}$  to pin 3.

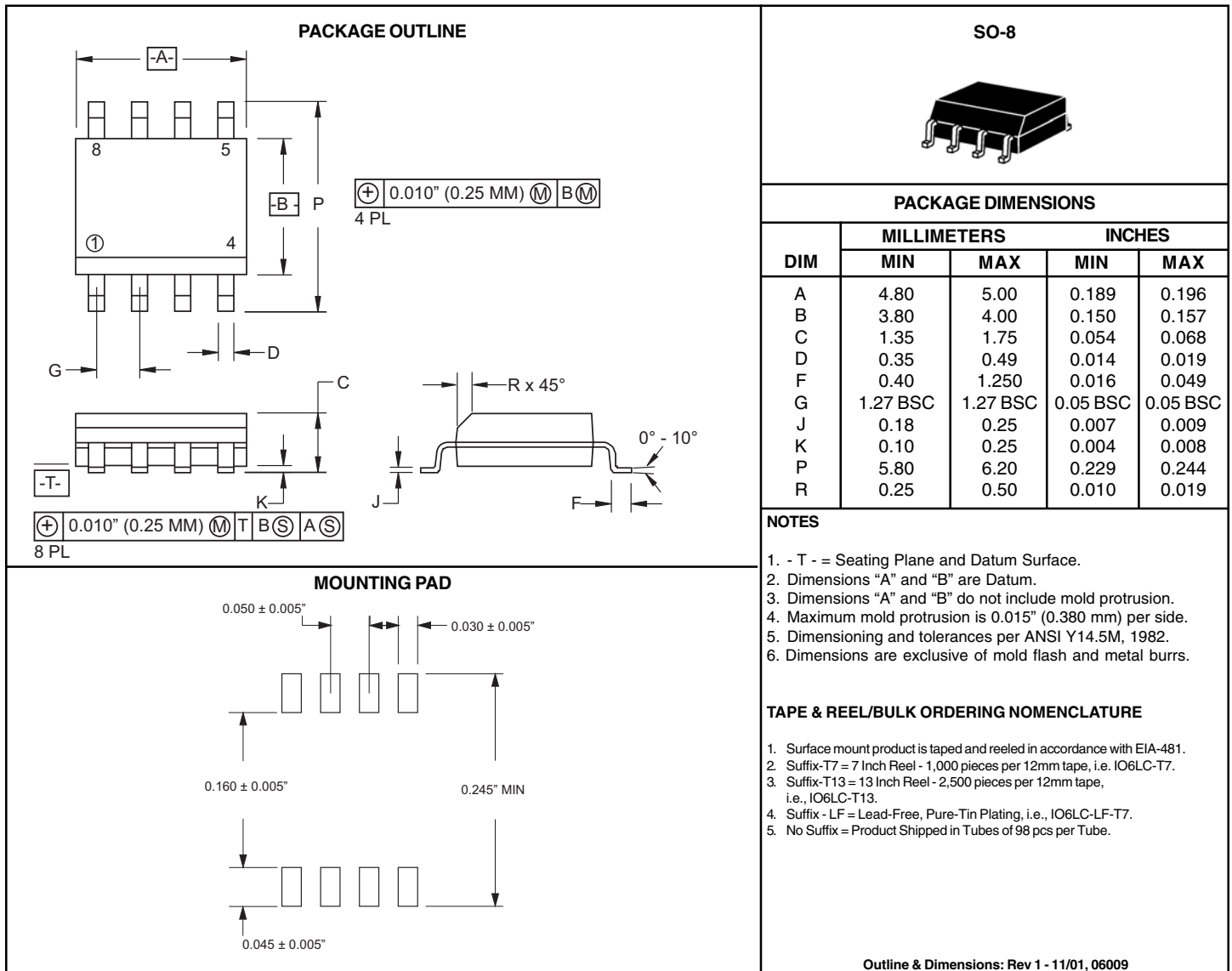
**FIGURE 1  
PULSE WAVE FORM**



## GRAPHS



## SO-8 PACKAGE OUTLINE & DIMENSIONS



**COPYRIGHT © ProTek Devices 2007**

SPECIFICATIONS: ProTek reserves the right to change the electrical and or mechanical characteristics described herein without notice (except JEDEC).

DESIGN CHANGES: ProTek reserves the right to discontinue product lines without notice, and that the final judgement concerning selection and specifications is the buyer's and that in furnishing engineering and technical assistance, ProTek assumes no responsibility with respect to the selection or specifications of such products.

**ProTek Devices**  
 2929 South Fair Lane, Tempe, AZ 85282  
 Tel: 602-431-8101 Fax: 602-431-2288  
 E-Mail: [sales@protekdevices.com](mailto:sales@protekdevices.com)  
 Web Site: [www.protekdevices.com](http://www.protekdevices.com)