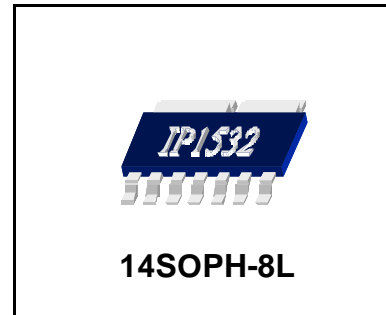


**DESCRIPTION**

The IP1532 is a triple output voltage series regulator which can provide up to 500mA of output current. The IP1532 consists of 1-fixed 3.3V, 1-fixed 2.55V and 1-fixed 1.65V regulators.



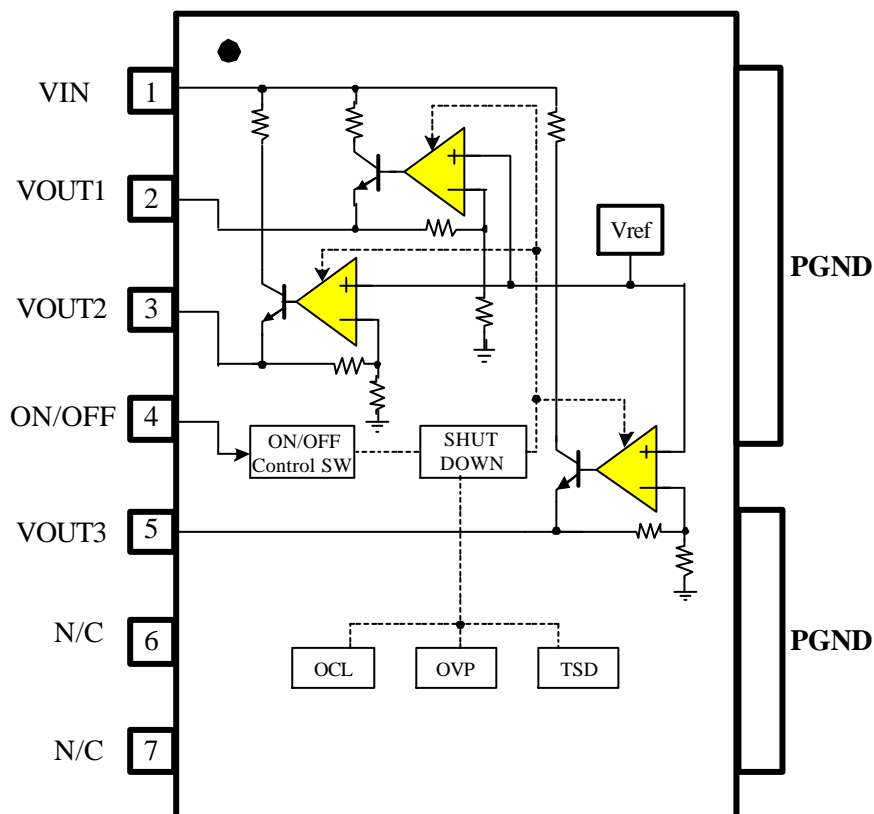
**FEATURES**

- 1-Fixed 3.3V Regulator with Internal NPN TR.
- 1-Fixed 2.55V Regulator with Internal NPN TR.
- 1-Fixed 1.65V Regulator with Internal NPN TR.
- Built-in TSD circuit.
- Built-in Current Limit Circuit.
- Built-in ON/OFF Control Circuit.
- Built-in Over Voltage Protection Circuit.
- Output Trimmed to +/-3% Tolerance

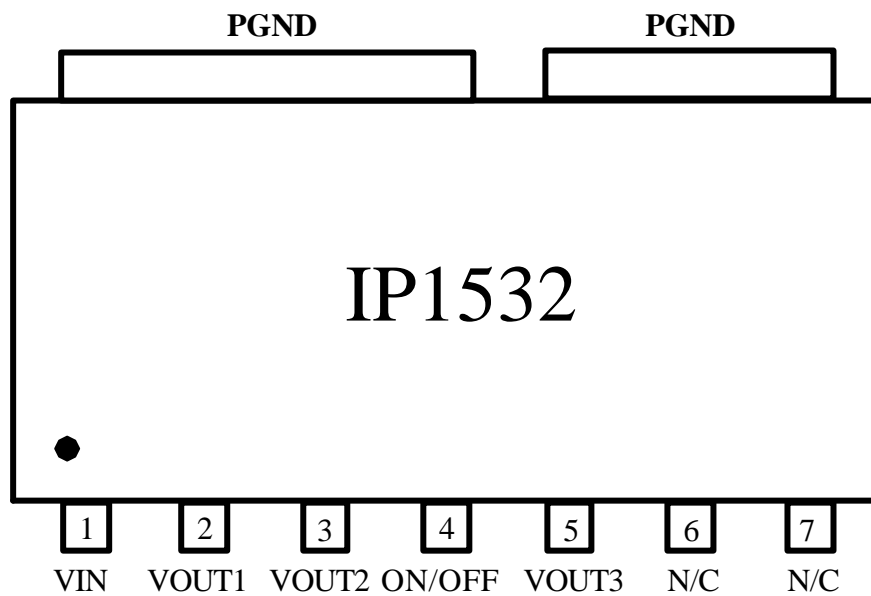
**ORDERING INFORMATION**

Device	Package	Operating Temp
IP1532	14SOPH-8L	-35°C ~ +85°C

**BLOCK DIAGRAM**



**PIN CONNECTIONS**



**PIN DESCRIPTIONS**

NO	SYMBOL	I/O	DESCRIPTION
1	VIN	I	Input Supply Voltage
2	VOUT1	O	Reg +3.3V Output
3	VOUT2	O	Reg +1.65V Output
4	ON/OFF	I	ON/OFF Control
5	VOUT3	O	Reg +2.55V Output
6	N/C	-	No Connection
7	N/C	-	No Connection
8	PGND	-	Power Ground

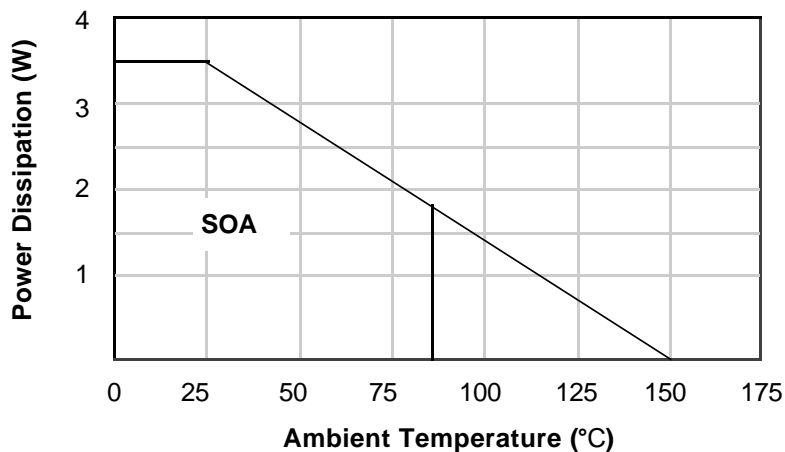
**ABSOLUTE MAXIMUM RATINGS(TA=25°C)**

CHARACTERISTICS	SYMBOL	VALUE	UNIT
Maximum supply voltage	Vinmax	10	V
ON/OFF voltage	Vonoff	10	V
Power dissipation	Pd	3.5*	W
Operating temperature	Topr	-35 ~ +85	°C
Storage temperature	Tstr	-55 ~ +150	°C
Maximum output current	Iomax	700	mA

Note>

1. When mounted on 100mm X 100mm X 1mm PCB (Phenolic resin material).
2. Power dissipation reduces 28mW/°C for using above Ta=25°C
3. Do not exceed Pd and SOA.

**POWER DISSIPATION CURVE**



**RECOMMENDED OPERATING CONDITIONS**

CHARACTERISTICS	SYMBOL	VALUE	UNIT
Supply voltage	Vcc	4.5 ~ 6.0	V
Input voltage	Vin	4.5 ~ 6.0	V

**ELECTRICAL CHARACTERISTICS**

( Vin= 5.25V, Co=10uF, Ta = 25°C, unless otherwise specified.)

Characteristics	Symbol	Condition	Min.	Typ.	Max.	Units
Quiescent current	Icc	Vcc=5.25V, No-Load	-	9	14	mA
OVP Detecting Voltage	Vovp	Vcc=Variable	6.5	-	-	V
<b>3.3V REGULATOR PART</b>						
Output Voltage	Vout1	Io=10mA	3.2	3.3	3.4	V
Line Regulation	dVline1	Vin=4.5~6V, Io=10mA	-	0.035	0.2	%
Load Regulation	dVload 1	Vin=5.25V, 10mA < Io < 500mA	-	0.4	0.8	%
Dropout voltage	Vdrop1	Io=500mA	-	1.1	1.3	V
Ripple rejection	RR1	F=120Hz, Co=10uF Tantalum (Vin-Vout)=3V, Io=200mA	60	70	-	dB
Current limit *Note	Ilimit1	Vin-Vout=2.5V	550	-	-	mA
Temperature stability	Temp1	-	-	0.5	-	%
Output noise voltage 1	Vn1	Io=300mA	-	100	-	uV
<b>1.65V REGULATOR PART</b>						
Output Voltage	Vout2	Io=10mA	1.6	1.65	1.7	V
Line Regulation	dVline2	Vin=4.5~6V, Io=10mA	-	0.035	0.2	%
Load Regulation	dVload2	Vin=5.25V, 10mA < Io < 100mA	-	0.4	0.8	%
Dropout voltage	Vdrop2	Io=100mA	-	2.5	2.8	V
Ripple rejection	RR2	F=120Hz, Co=10uF Tantalum (Vin-Vout)=3V, Io=50mA	60	70	-	dB
Current limit *Note	Ilimit2	Vin-Vout=4V	120	-	-	mA
Temperature stability	Temp2	-	-	0.5	-	%
Output noise voltage 2	Vn2	Io=60mA	-	100	-	uV

**ELECTRICAL CHARACTERISTICS (Continued)**

( Vin= 5.25V, Co=10uF, Ta = 25°C, unless otherwise specified.)

Parameter	Symbol	Condition	Min.	Typ.	Max.	Units
<b>2.55V REGULATOR PART</b>						
Output Voltage	Vout3	Io=10mA	2.473	2.55	2.626	V
Line Regulation	dVline3	Vin=4.5~6V, Io=10mA	-	0.035	0.2	%
Load Regulation	dVload3	Vin=5.25V, 10mA < Io < 300mA	-	0.4	0.8	%
Dropout voltage	Vdrop3	Io=300mA		1.7	2.1	V
Ripple rejection	RR3	F=120Hz, Co=10uF Tantalum (Vin-Vout)=3V, Io=100mA	60	70		dB
Current limit *Note	Ilimit3	Vin-Vout=3.0V	500	-	-	mA
Temperature stability	Temp3	-	-	0.5	-	%
Output noise voltage 3	Vn3	Io=150mA	-	100	-	uV
<b>ON/OFF CONTROL PART</b>						
On voltage	Von	Vout=Enabled	-	-	0.8	V
Off voltage	Voff	Vout=Disabled	2.0	-	-	V

\* Note

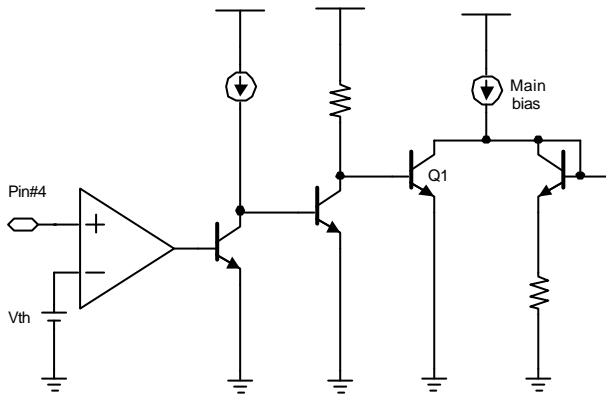
Don't exceed following current limit.

( Iout1 : 550 mA, Iout2 : 120 mA, Iout3 : 500 mA )

**APPLICATION SUMMARY**

**- ON / OFF**

When you want to control output of the IP1532, use pin #4 as follows

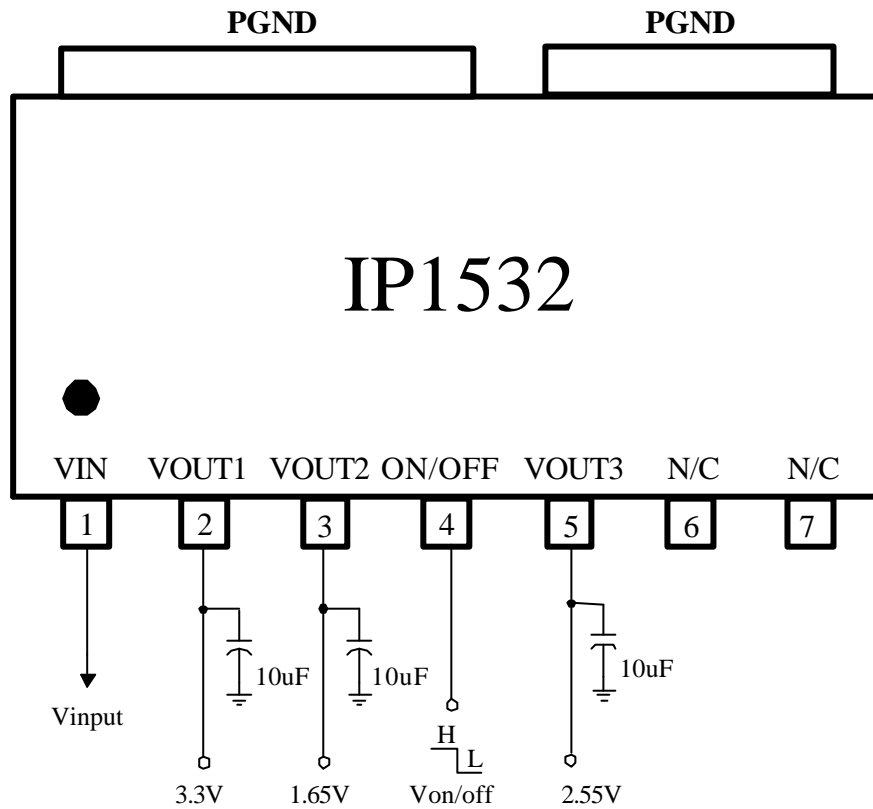


on/off function

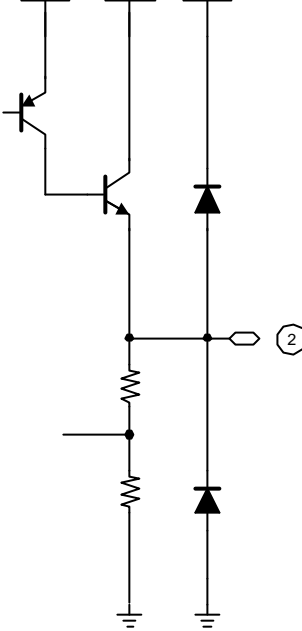
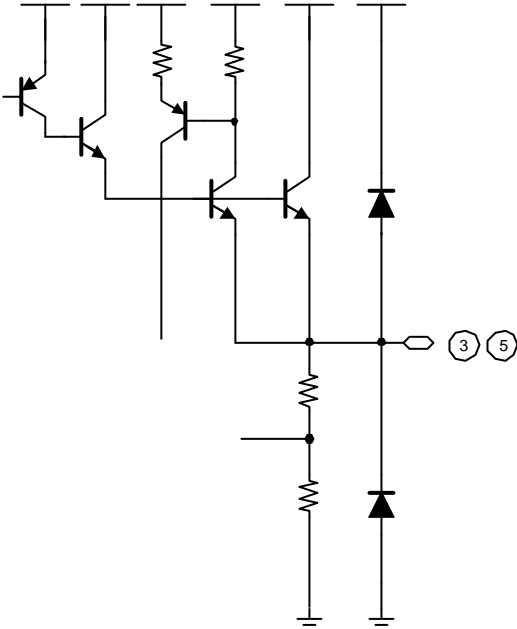
Pin#4	IP1532
HIGH	off
LOW	on

As shown in figure Pin#4 is positive input of the comparator, and the other Input is threshold voltage. If the voltage of the pin#4 rises above threshold voltage, then TR Q1 will be saturated and the main bias current will be shut down.

**TYPICAL APPLICATION CIRCUIT**

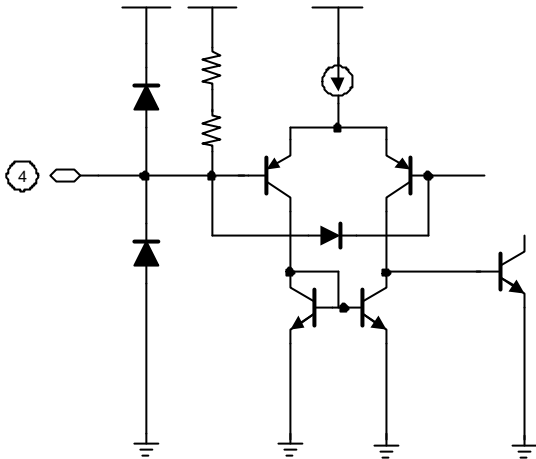


**INTERNAL CIRCUIT**

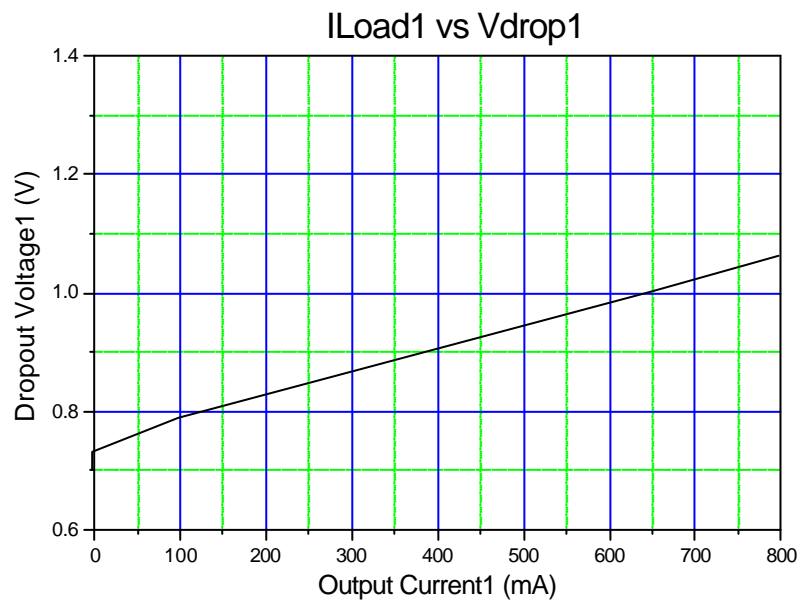
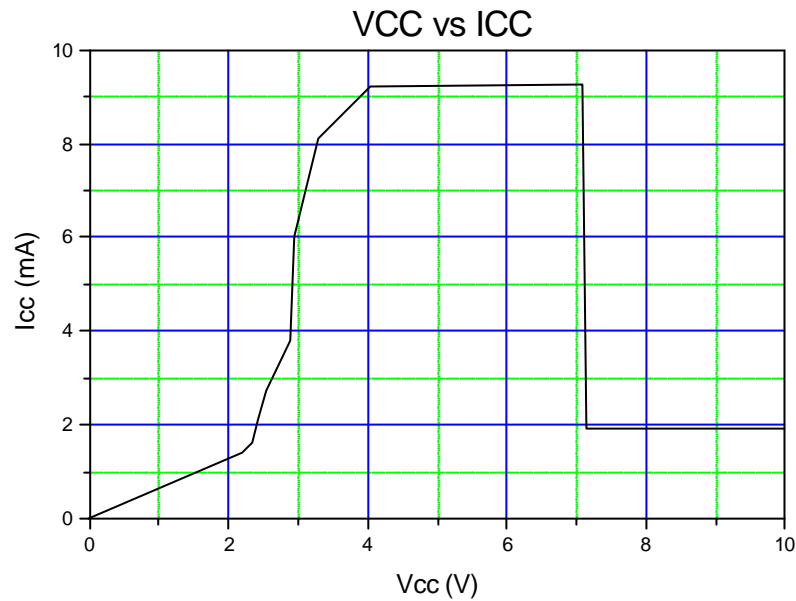
Pin no	Pin name	Internal circuit
2	Regulator output1	
3,5	Regulator Output2,3	



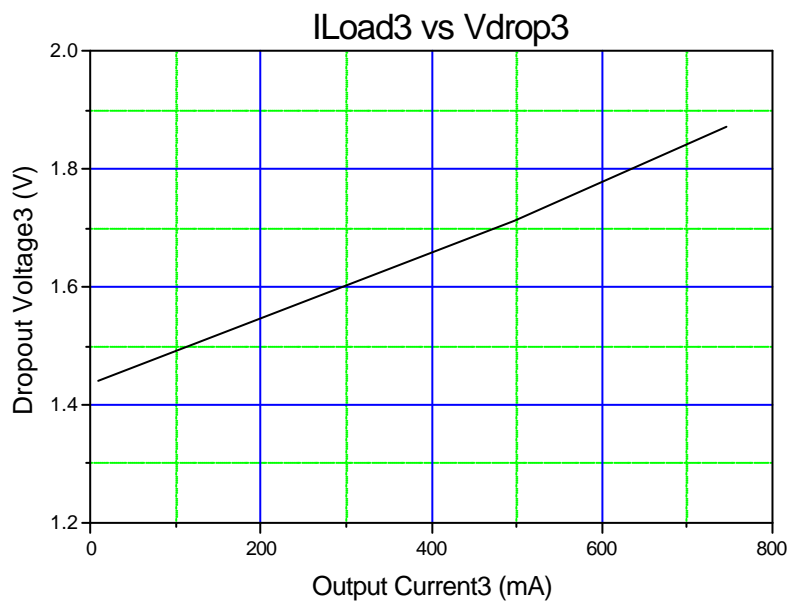
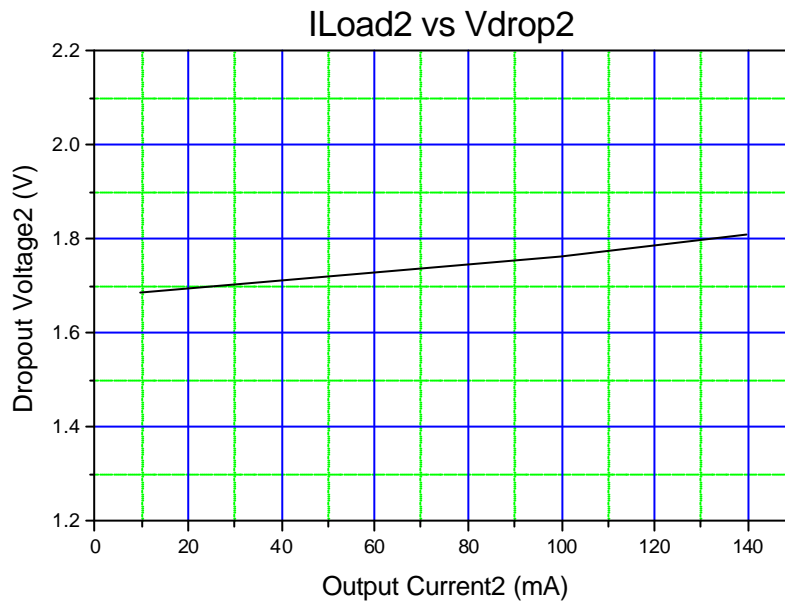
**INTERNAL CIRCUIT (Continued)**

Pin no	Pin name	Internal circuit
4	ON / OFF	

**ELECTRICAL CHARACTERISTICS CURVES**

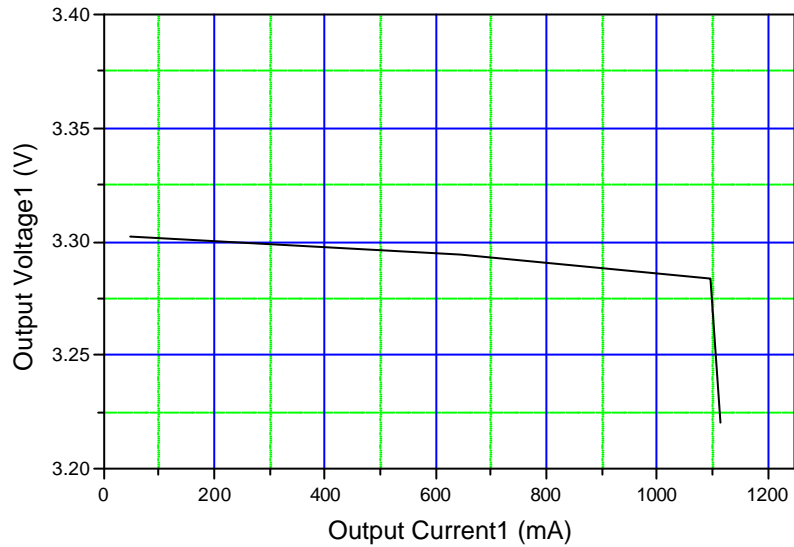


**ELECTRICAL CHARACTERISTICS CURVES (Continued)**

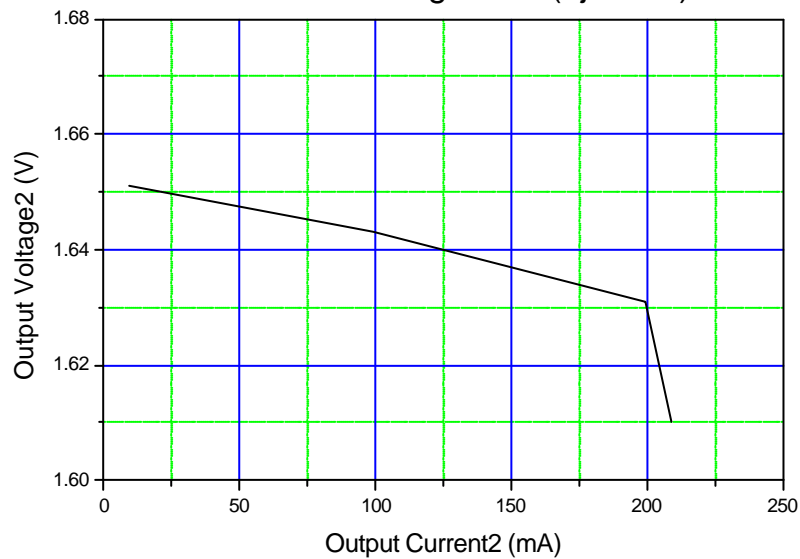


**ELECTRICAL CHARACTERISTICS CURVES (Continued)**

**VOUT1 Load Regulation ( $T_j=25^\circ\text{C}$ )**

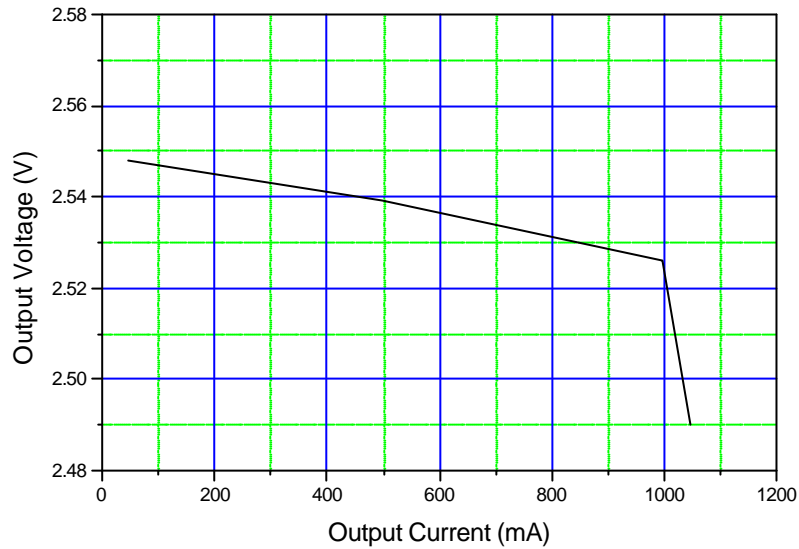


**VOUT2 Load Regulation ( $T_j=25^\circ\text{C}$ )**

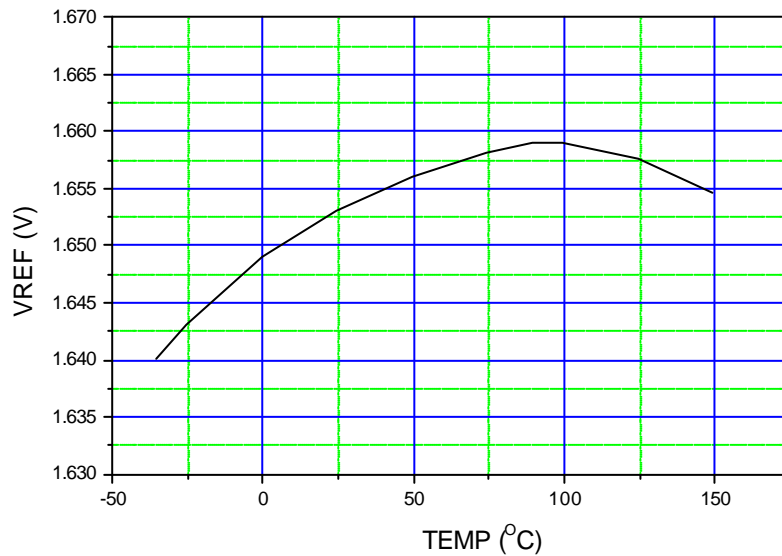


**ELECTRICAL CHARACTERISTICS CURVES (Continued)**

**VOUT3 Load Regulation ( $T_j=25^{\circ}\text{C}$ )**

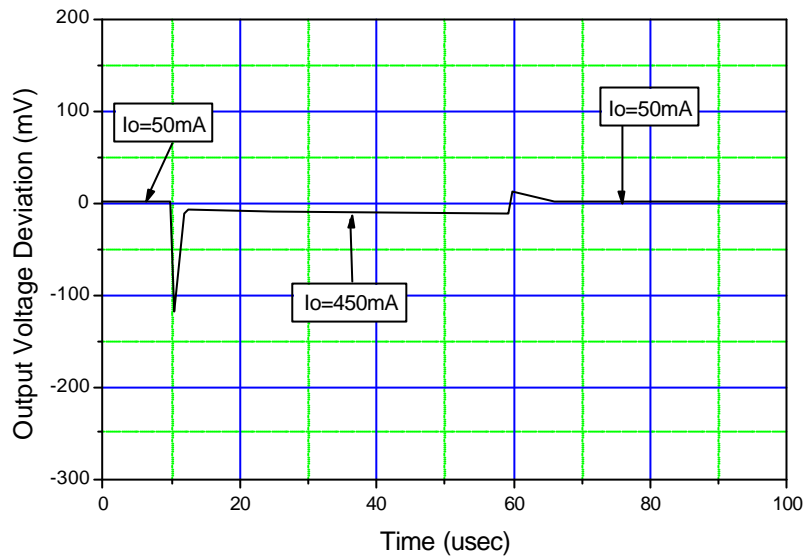


**VREF TEMPERATURE STABILITY**

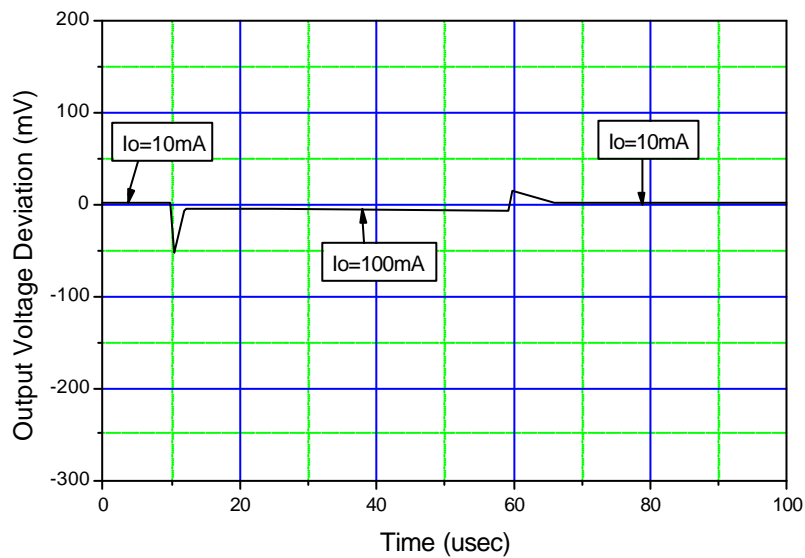


ELECTRICAL CHARACTERISTICS CURVES (Continued)

VOUT1 Load Transient Response

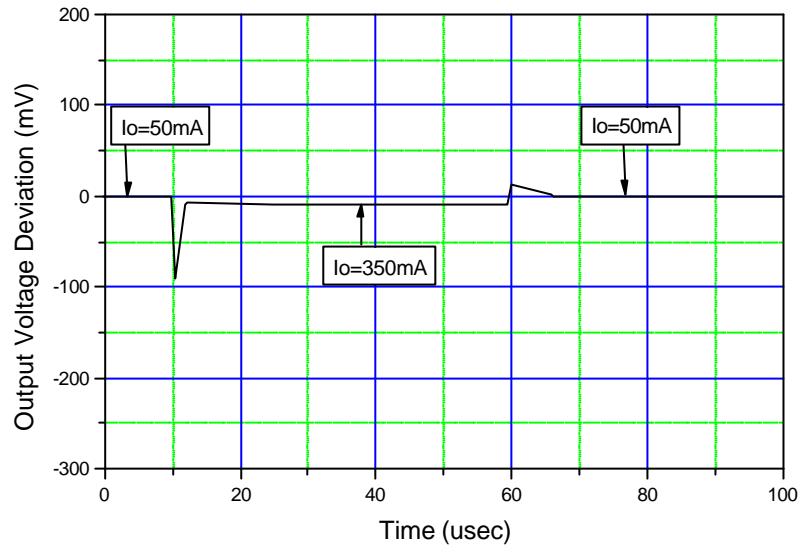


VOUT2 Load Transient Response



ELECTRICAL CHARACTERISTICS CURVES (Continued)

VOUT3 Load Transient Response



**PACKAGE DIMENSION**

**14SOPH-8L**

