

# IR3Y48A1

## CCD Signal Process & Digital Interface IC

### DESCRIPTION

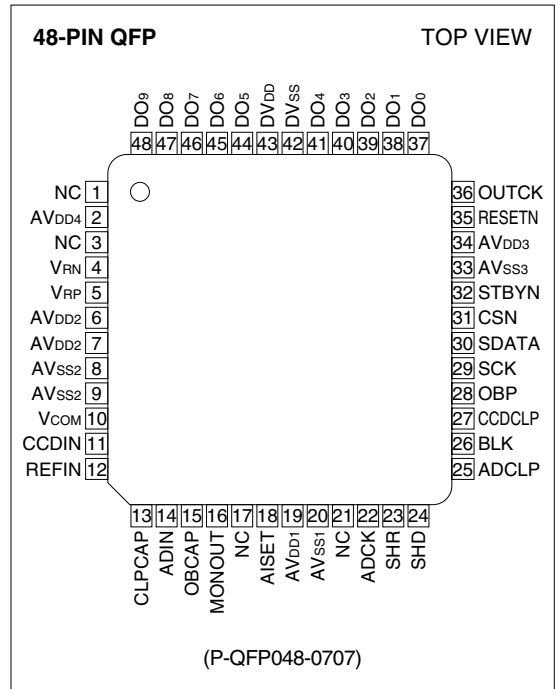
The IR3Y48A1 is a CMOS single-chip signal processing IC for CCD area sensors which includes correlated double sampling circuit (CDS), clamp circuit, programmable gain amplifier (PGA), reference voltage generator, black level detection circuit, 18 MHz 10-bit analog-to-digital converter (ADC), timing generator for internally required pulses, and serial interface for internal function control and PGA gain control.

### FEATURES

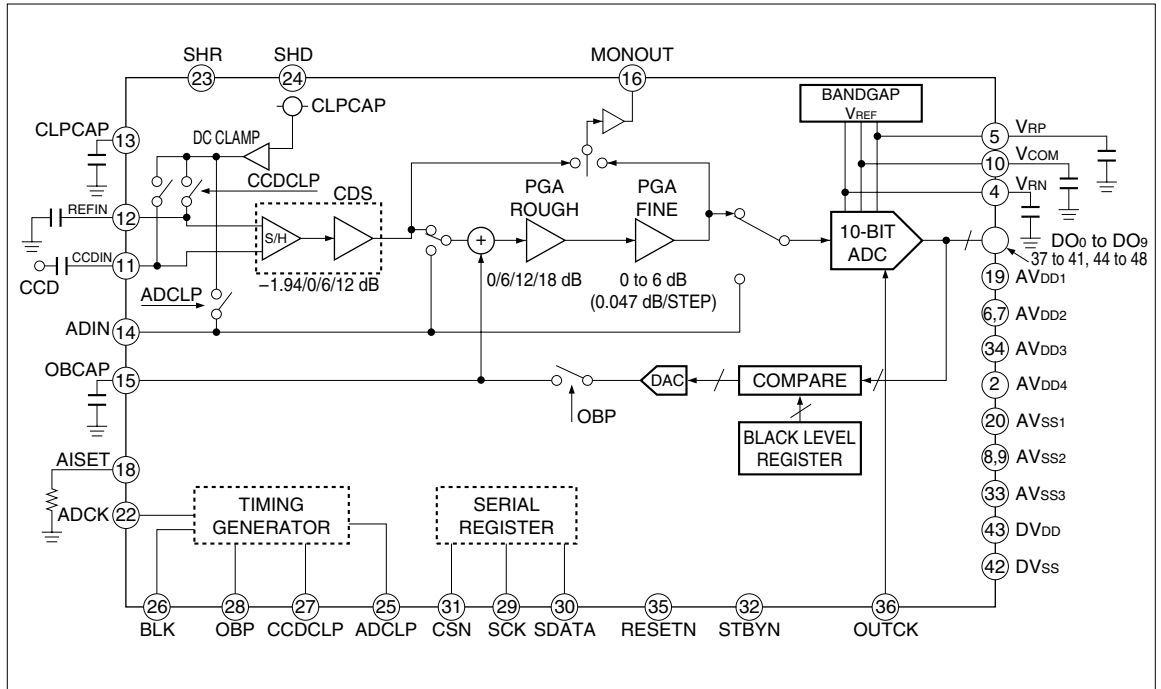
- Low power consumption : 80 mW (TYP.)
- Wide gain range :  $-1.94$  to  $36$  dB  
(Gain step :  $0.047$  dB/step)
- High speed sample-and-hold circuits :  
pulse width  $11$  ns (MIN.)
- Independent CDS and PGA gain control
  - CDS :  $-1.94/0/6/12$  dB
  - PGA :  $0$  to  $24$  dB
- Black level canceler
  - Settling target :  $16$  to  $127$  LSB
- Capable of independent input of ADC conversion clock and data output clock
- Power down mode : less than  $1$  mW
- Built-in serial interface
- 10-bit ADC operating up to  $18$  MHz
  - DNL :  $\pm 0.6$  LSB (TYP.)
- Maximum input level of CCD signals :  $1.1$  Vp-p
- Accepts a direct signal input to ADC or PGA  
(input level :  $1.0$  Vp-p (TYP.))
- Single  $2.7$  to  $3.6$  V power supply
- Package :  
48-pin QFP\* (P-QFP048-0707)  $0.5$  mm pin-pitch

\*Contact SHARP in order to obtain the details of package dimensions of the IR3Y48A1.

### PIN CONNECTIONS



**BLOCK DIAGRAM**



## PIN DESCRIPTION

PIN NO.	SYMBOL	I/O	EQUIVALENT CIRCUIT	DESCRIPTION
1	NC	—		No connection.
2	AVDD4	—		Supply of 2.7 to 3.6 V analog power.
3	NC	—		No connection.
4	VRN	O		ADC internal negative reference voltage. (Connect to AVSS via 0.1 $\mu$ F.)
5	VRP	O		ADC internal positive reference voltage. (Connect to AVSS via 0.1 $\mu$ F.)
6	AVDD2	—		Supply of 2.7 to 3.6 V analog power.
7	AVDD2	—		Supply of 2.7 to 3.6 V analog power.
8	AVSS2	—		An analog grounding pin.
9	AVSS2	—		An analog grounding pin.
10	VCOM	O		ADC internal common reference voltage. (Connect to AVSS via 0.1 $\mu$ F.)
11	CCDIN	I		CDS circuit data input.
12	REFIN	I		CDS circuit reference input.
13	CLPCAP	O		Clamp level output. (Connect to AVSS via 0.1 $\mu$ F.)
14	ADIN	I		ADIN signal input.
15	OBCAP	O		Black level integration voltage. (Connect to AVSS via 0.1 $\mu$ F.)
16	MONOUT	O		Monitor output of CDS or PGA.

※ Internal FET gate

PIN NO.	SYMBOL	I/O	EQUIVALENT CIRCUIT	DESCRIPTION
17	NC	—		No connection.
18	AISSET*	I		Internal analog circuit bias current input. (Connect to AVSS via 4.7 kΩ.)
19	AVDD1	—		Supply of 2.7 to 3.6 V analog power.
20	AVSS1	—		An analog grounding pin.
21	NC	—		No connection.
22	ADCK	I		ADC sampling clock input.
23	SHR	I		Reference sampling pulse input.
24	SHD	I		Data sampling pulse input.
25	ADCLP	I		Pulse input for ADIN clamp and black calibration control.
26	BLK	I		Blanking pulse input.
27	CCDCLP	I		Clamp control input.
28	OBP	I		Black level period pulse input.
29	SCK	I		Serial port clock input.
30	SDATA	I		Serial port data input.
31	CSN	I		Serial port chip selection (active at low).
32	STBYN	I	Power down control (power down at low).	
33	AVSS3	—		An analog grounding pin.
34	AVDD3	—		Supply of 2.7 to 3.6 V analog power.
35	RESETN	I		Reset signal input (reset at low).
36	OUTCK	I		Clock input for ADC output.

\* High-Z at power down ※ Internal FET gate

PIN NO.	SYMBOL	I/O	EQUIVALENT CIRCUIT	DESCRIPTION
37	DO <sub>0</sub> *	O		ADC digital output (3 state) (LSB).
38	DO <sub>1</sub> *	O		ADC digital output (3 state).
39	DO <sub>2</sub> *	O		ADC digital output (3 state).
40	DO <sub>3</sub> *	O		ADC digital output (3 state).
41	DO <sub>4</sub> *	O		ADC digital output (3 state).
42	DVSS	-		A digital grounding pin.
43	DVDD	-		Supply of 2.7 to 3.6 V digital power.
44	DO <sub>5</sub> *	O		ADC digital output (3 state).
45	DO <sub>6</sub> *	O		ADC digital output (3 state).
46	DO <sub>7</sub> *	O		ADC digital output (3 state).
47	DO <sub>8</sub> *	O		ADC digital output (3 state).
48	DO <sub>9</sub> *	O		ADC digital output (3 state) (MSB).

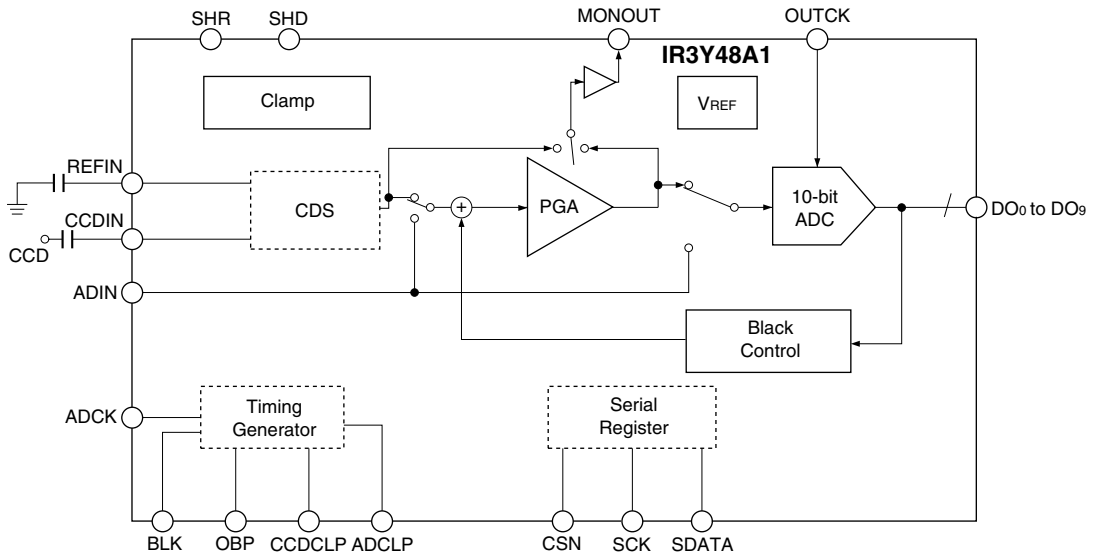
\* High-Z at power down

**NOTE :** NC pins are not connected internally, but recommended to be connected to AVSS.

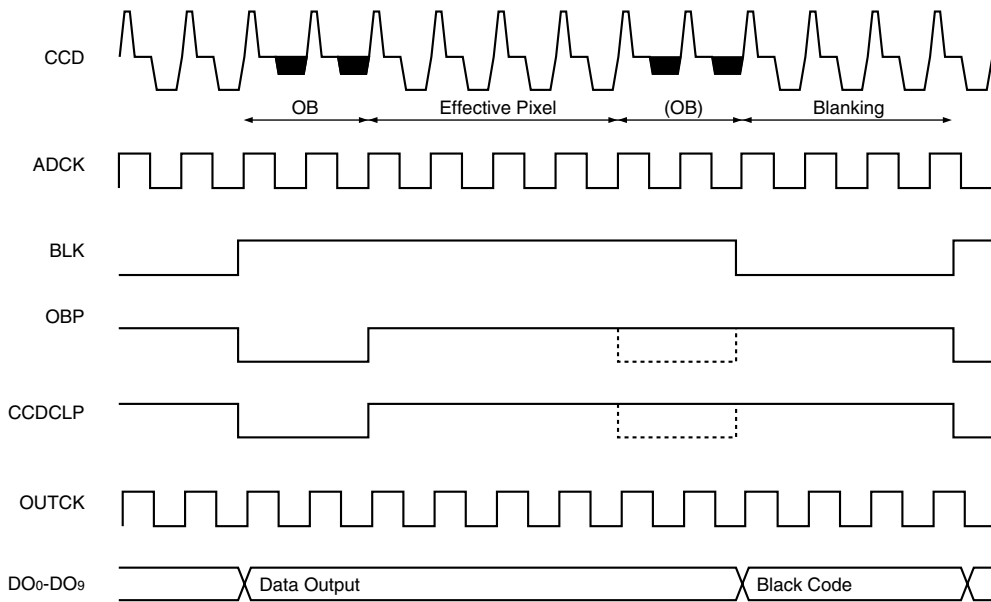
## FUNCTIONAL DESCRIPTION

### Outline

The configuration of the IR3Y48A1 is described below.



### GENERAL TIMING



**NOTE :** In this chart, the cycles of the OBP and CCDCLP show the same timing. But the OBP and CCDCLP can be input at different timing.

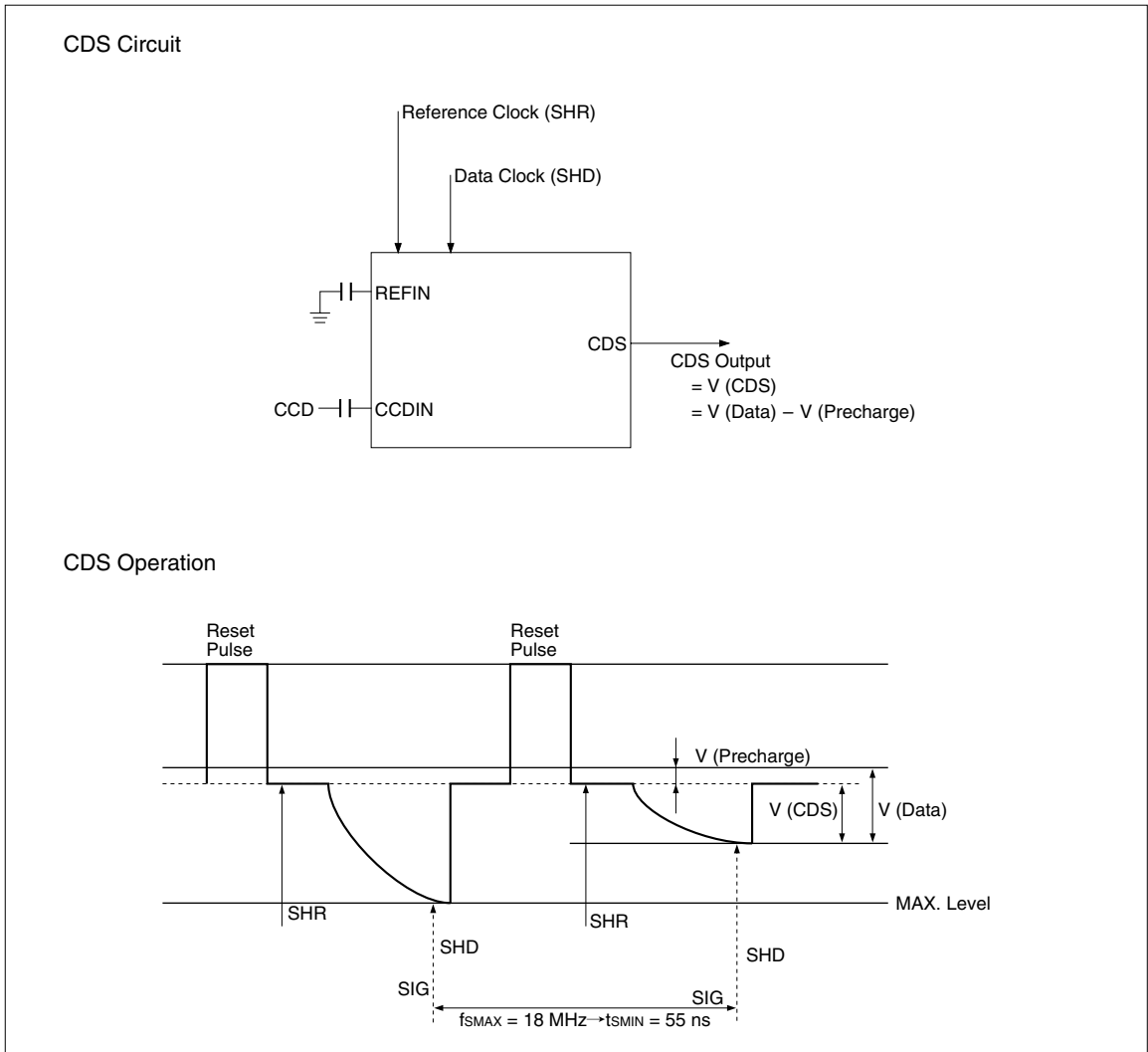
### CDS (Correlated Double Sampling) Circuit

Connect the signal from a CCD sensor to the CCDIN pin via a capacitor and connect the REFIN pin to AVss via a capacitor.

The CDS circuit holds the CCD precharge (reference) level at SHR pulse, then it samples the CCD pixel data at SHD pulse. Correlated (common) noise is removed by the subtracting

precharge level from the pixel data level.

CDS can choose a gain setting from 0, 6.02, 12 or -1.94 dB (Mode (3) Register D4 & D5 bits). A CDS gain is controlled separately from a PGA gain. To reduce noise as much as possible, it is recommended to increase the CDS gain first before increasing the PGA gain.



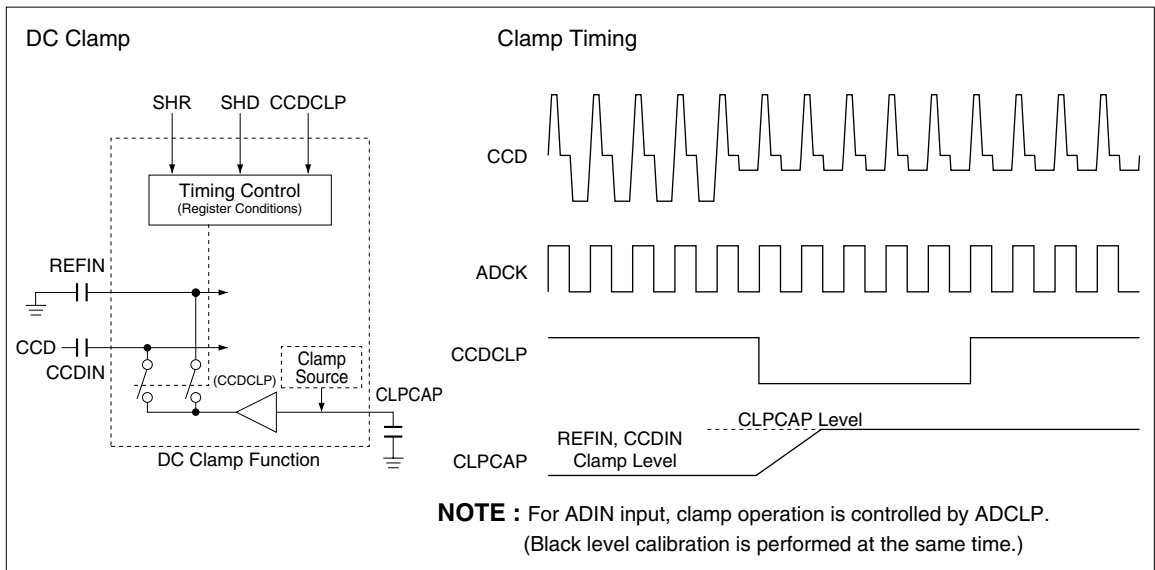
## Clamp Circuits

### DC CLAMP

DC level of the CCDIN/REFIN input is fixed by internal DC clamp circuit. DC level of C-coupled CCD signal at the CDS input is set to CLPCAP by

the internal DC clamp circuit.

Normally clamp switches are turned on at the black level calibration period. Place 0.1  $\mu\text{F}$  external capacitance between CLPCAP and AVss.



### CLAMP OF THE ADIN SIGNAL

Clamp operation for the ADIN path is also available. Note that clamp voltage [CLPCAP] is different between CCDIN/REFIN input and the ADIN input. Clamp operation of ADIN signal can be turned off by register setting.

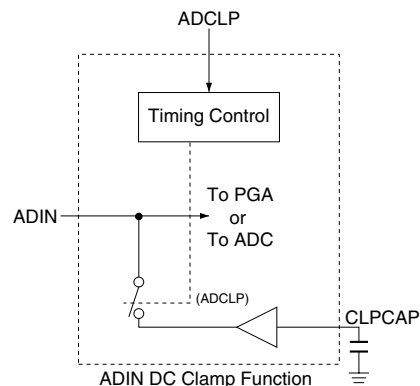
Clamp circuit is controlled by ADCLP signal at "ADIN signal to ADC" mode. Black level calibration circuit is also controlled by ADCLP at "ADIN signal to PGA" mode.

### CLAMP CONTROL

Following items are selectable by the register setting.

- Clamp current [Mode (2) Register D7]  
Normal or fast clamp is selectable for charge current. (Select normal clamp in general.)
- Clamp target [Mode (2) Register D5 & D4]  
Input signals (REFIN and CCDIN) to be clamped are selectable. It is also possible to turn off the clamp function.

### ADIN DC Clamp





### Black Level Cancel Circuit

The purpose of a black level cancel circuit is to control the DC level of the PGA input so that the ADC output code at a optical black period may correspond to the black level code set up by the register. The black level code of (1 to) 16 to 127 LSB (default : 64 LSB) is available.

A black level cancel loop is established while the OBP pin is active. In this loop, the ADC output code is compared with the black level code and the voltage of the OBCAP capacitor is controlled by the result. Thus, the OBCAP voltage settles gradually, and the signal level of the optical black period corresponds to the established value.

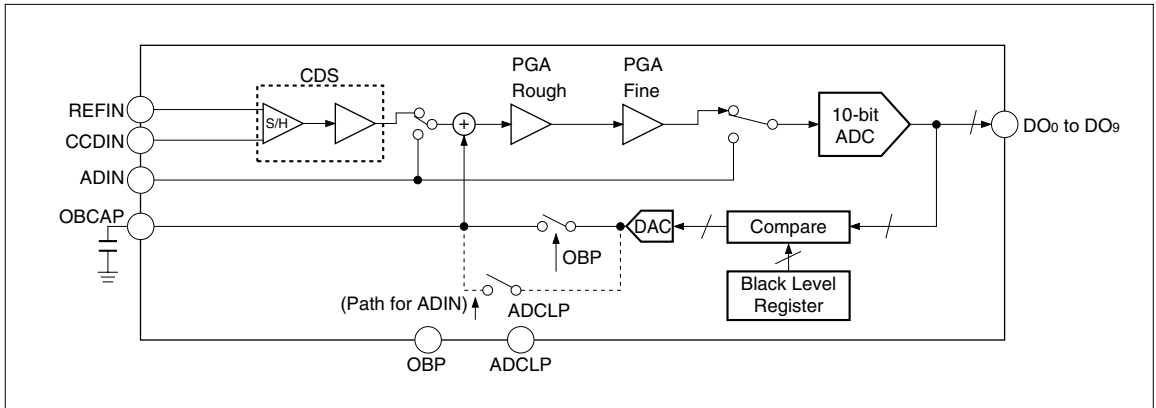
The charge of the OBCAP capacitor is reset under

following conditions :

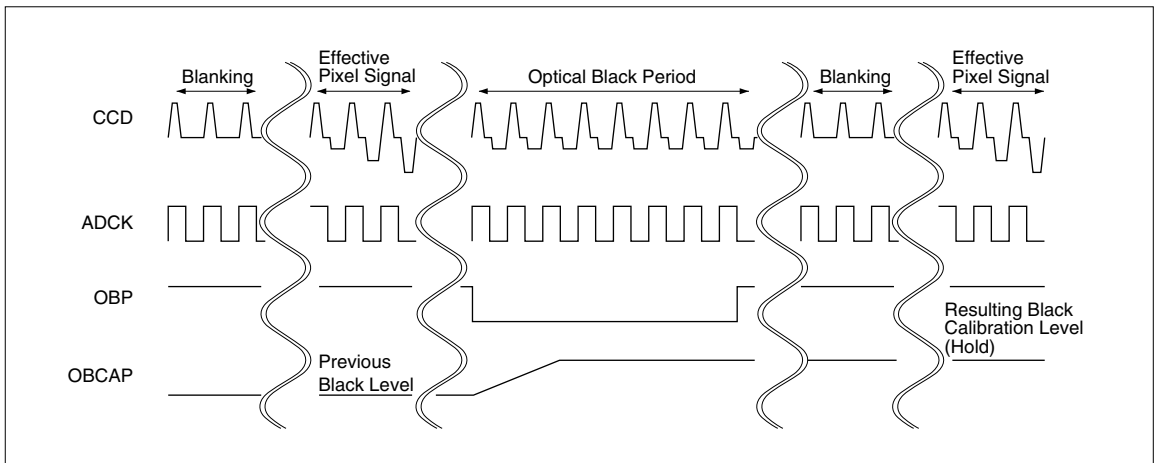
- ① Set the black level reset register to "1".  
[Mode (1) Register D1 = 1]
- ② Set the RESET pin to low.
- ③ Power down (by the STBYN pin or register control)

The DC clamping [CCDCLP] is allowed while the OBP pin is low.

The black level cancellation is also available in "ADIN signal to PGA" mode. (See the broken line path of "**Black Level Calibration**" below.) The black level cancellation is available at the ADCLP period in this mode. (That means a clamping and a black level cancelling are done simultaneously.)



**Black Level Calibration**



**Black Level Calibration Timing**

### High-speed Black Level Cancellation

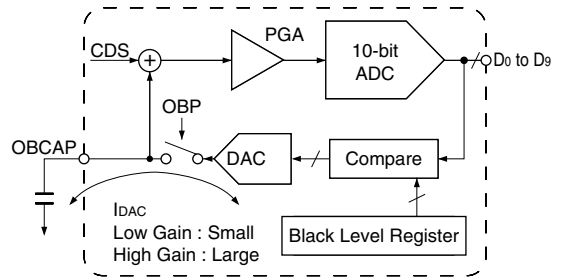
The IR3Y48A1 has the function that settles a black level at high speed. The function that increases a settling speed in a fixed period from the access to the serial interface can become available by the register setting. This function increases the gain of the settling DAC in a fixed period, and it increases the charge/discharge current to the OBCAP capacitor.

The black level boost function is set with the Mode (3) register, D3, D2, D1 and D0 bits. The default setting is always low gain (D3 = D2 = D1 = D0 = 0). By setting the register D2, D1 and D0 bits, the gain becomes high during 1 to 7 times of OBP pulse period after any access to the serial interface. After that period, the gain returns to low.

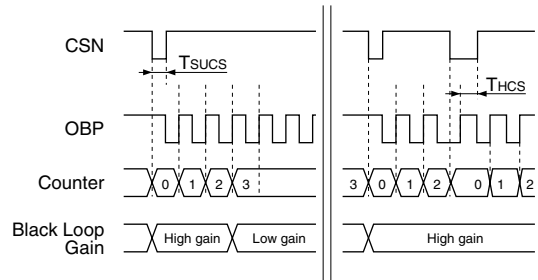
When setting D3 to "1", the gain is always high. The CSN signal becomes the starting point of the OBP pulse count.

The right figure of "Black Loop Settling Gain Boost Timing" is the timing chart when the boost control is on and the boost period is set to 3. The left figure of "Black Level Settling" below is the image of the settlement when the gain is high or low.

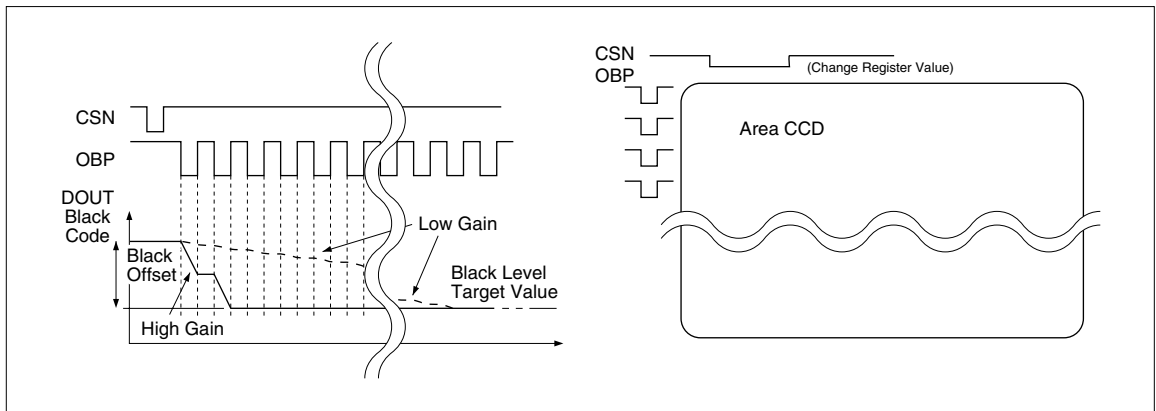
### Black Level Boost



### Black Loop Settling Gain Boost Timing



Gain boost function ON (Mode (3) D3 = 1)  
High gain for 3 pulses (Mode (3) D2 = 0, D1 = 1, D0 = 1)



Black Level Settling

### CSN & OBP TIMING

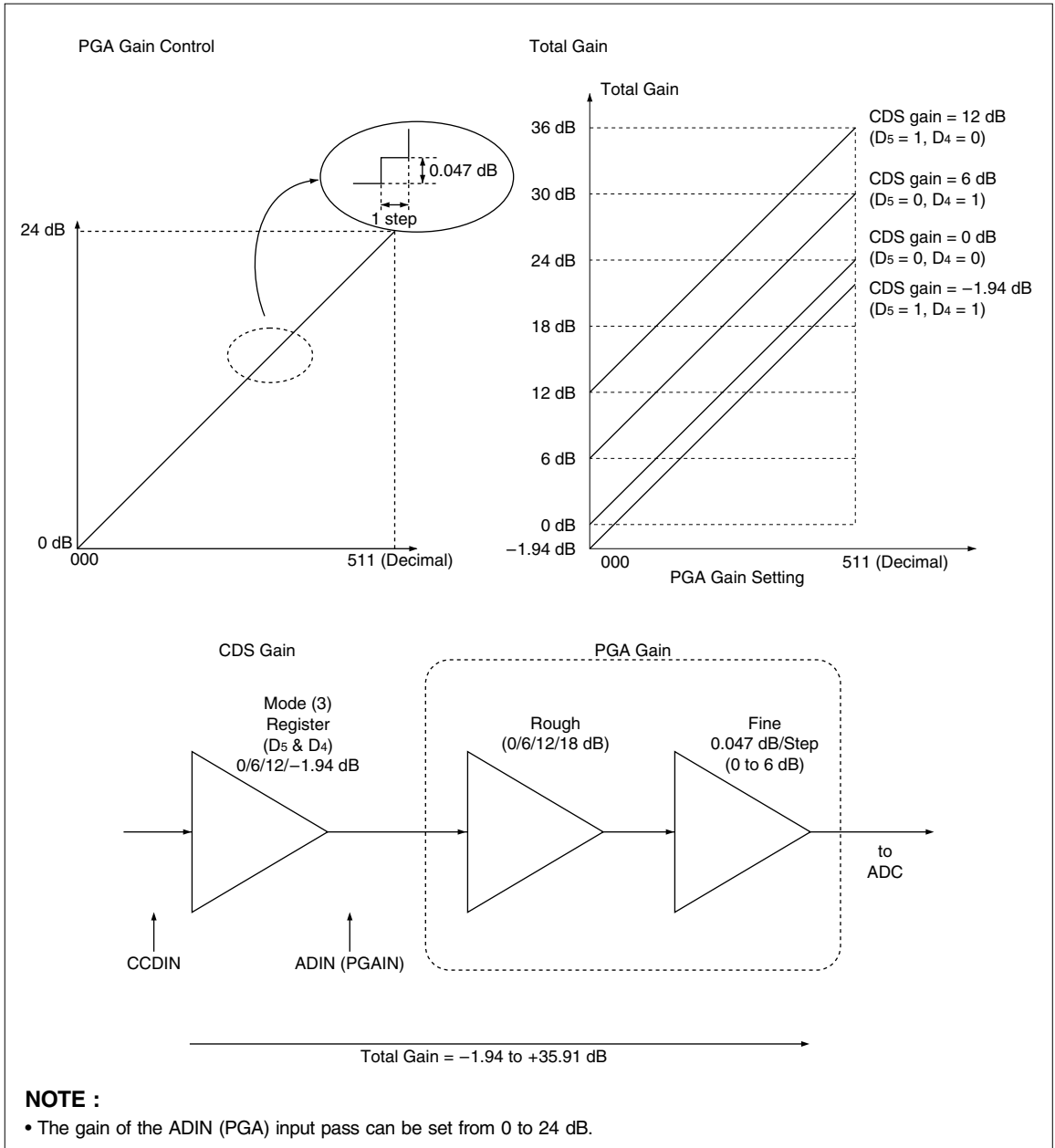
PARAMETER	SYMBOL	CONDITIONS	MIN.	TYP.	MAX.	UNIT
CSN setup time	TSUCS		0			μs
CSN hold time	THCS		5			clock

### Gain Control Circuit

The total gain for a CCD input signal covers from -1.94 to +36 dB.

This range consists of CDS (0/6/12/-1.94 dB), PGA

rough (0/6/12/18 dB), and PGA fine (0 to 6 dB (0.047 dB/step)). The CDS gain is controlled by a 2-bit register and the PGA gain is controlled by a 9-bit register.



### Gain Control

**A/D Converter Circuit**

The IR3Y48A1 integrates an 18 MHz 10-bit full pipeline A/D converter (ADC).

This ADC converts following signals :

1. The signal from the CCDIN input through a CDS and a PGA
2. The signal from the ADIN input through a PGA at the ADIN (PGA input) mode.
3. The signal from the ADIN input at the ADIN (ADC input) mode.

**A/D CONVERSION RANGE**

The analog input range of the ADC is determined by the internal reference voltage.

The full scale of the ADC is 1.0 Vp-p (single end).

**A/D CONVERTER OUTPUT CODE**

**(AT MODE (1) REGISTER D<sub>5</sub> = 1)**

The format of an ADC digital output is a straight binary.

Thus, when input a zero reference voltage, the output code is "all 0", and when input a full scale voltage, the output code is "all 1".

**CLOCK, PIPELINE DELAY, DIGITAL DATA OUTPUT TIMING**

The ADCK input is used for an A/D conversion.

The ADC input signal is sampled at the falling edge of the ADCK input and 10-bit parallel data is output at the rising edge of the ADCK input after 5.5 clocks of pipeline delay.

**HIGH-Z CONTROL OF ADC DIGITAL OUTPUT**

ADC digital outputs become High-Z under following conditions :

- ① Set the ADC output bit to "1".  
[Mode (1) Register D<sub>2</sub> = 1]
- ② Set the SYBYN pin to low.
- ③ Set the power control bit to "1".  
[Mode (1) Register D<sub>0</sub> = 1]

**ADC Data Output (Coding : Straight Binary)**

A/D INPUT	DIGITAL OUTPUT CODE									
	MSB									LSB
	D <sub>9</sub>	D <sub>8</sub>	D <sub>7</sub>	D <sub>6</sub>	D <sub>5</sub>	D <sub>4</sub>	D <sub>3</sub>	D <sub>2</sub>	D <sub>1</sub>	D <sub>0</sub>
Full scale	1	1	1	1	1	1	1	1	1	1
:					:					
:	1	0	0	0	0	0	0	0	0	0
:	0	1	1	1	1	1	1	1	1	1
:					:					
Zero scale	0	0	0	0	0	0	0	0	0	0

**Miscellaneous Functions**

**ADC DIRECT INPUT (ADIN MODE)**

The direct input path to the ADC or the PGA becomes available by register setting. The selectable paths are shown below :

1. Function disable (default)

[Mode (1) Register D5 = 0, D4 = 0]

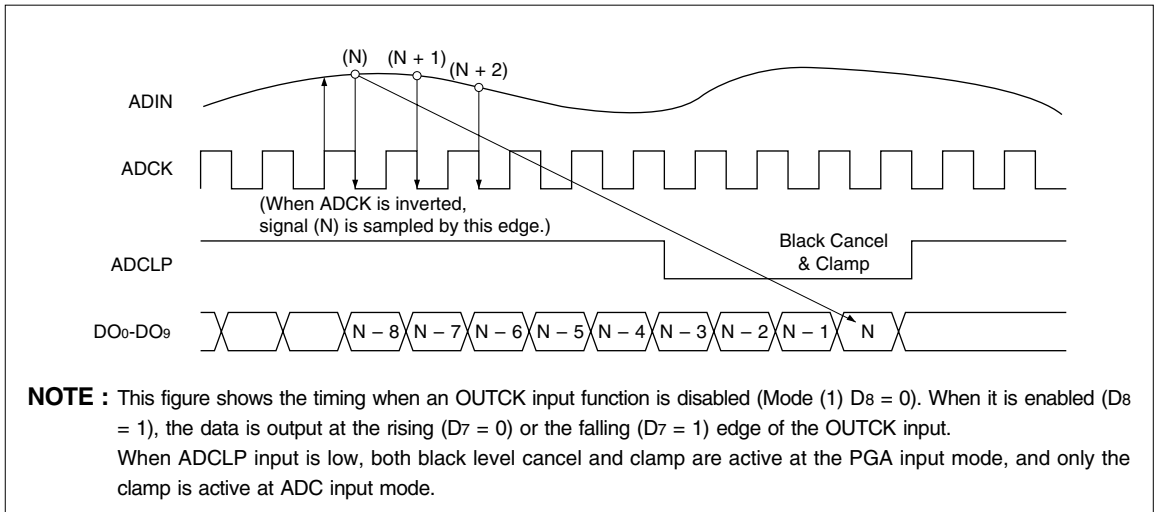
2. ADIN input to the PGA

[Mode (1) Register D5 = 0, D4 = 1]

3. ADIN input to the ADC

[Mode (1) Register D5 = 1, D4 = don't care]

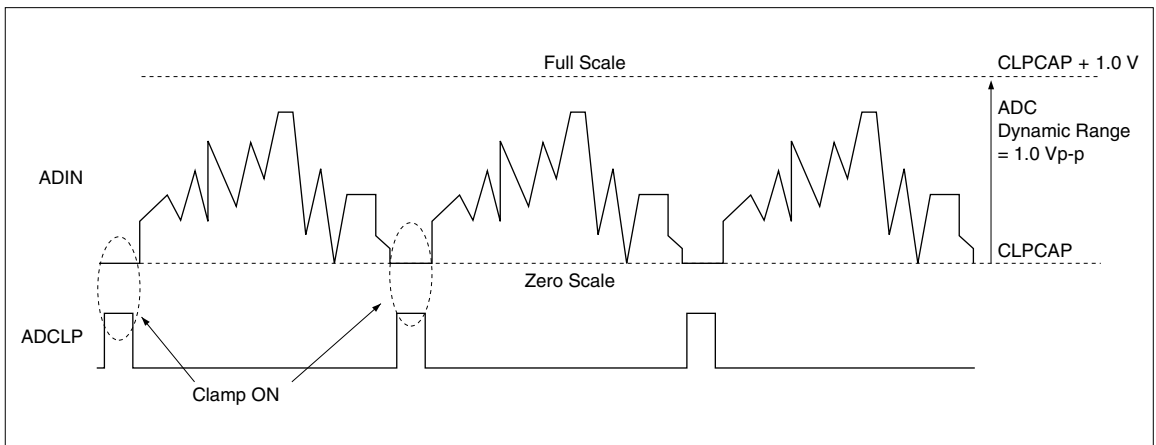
At the ADIN mode, the BLK, SHD and SHR inputs are ignored.



**ADIN Signal Processing (PGA Input)**

The operation at ADC direct input is shown below. Thus, the clamped level at the ADCLP timing becomes a reference (CLPCAP at the figure

below), and the ADIN input dynamic range is +1.0 V (TYP.) from the reference level.



**ADIN Signal Input Level**

### POWER DOWN MODE

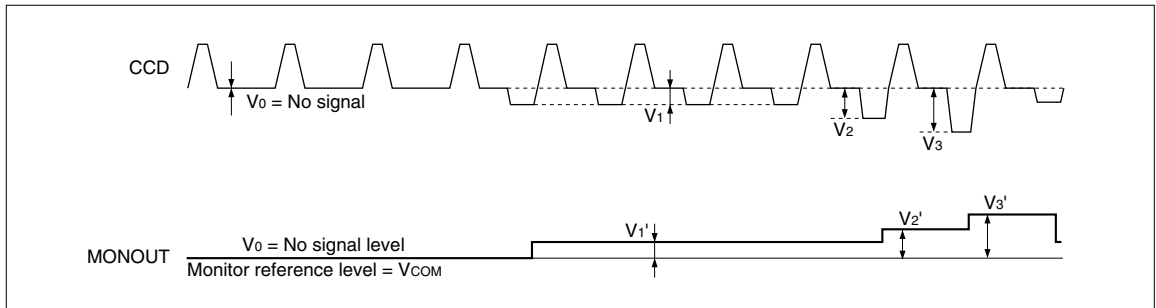
The power down mode can be set either by register setting or STBYN pin.

If one of them is set, the IR3Y48A1 powers down. ("OR" logic)

### MONITOR OUTPUT

By setting the register [Mode (2) Register D1 & D0], the signal from MONOUT is selectable. Alternatives

are OFF, CDS output, PGA output, or REFIN/CCDIN output. Note that the gain of the MONOUT pin is fixed to 0 dB regardless the setting of gain control register when the CDS output is selected. The output level of MONOUT is shown below. The MONOUT level becomes  $V_{COM}$  at zero reference level. The signals are output in reverse for the CCD input.



Monitor Output Level

### POLARITY INVERSION

The following input polarities can be inverted by register setting :

- ① ADCK (A/D converter sampling clock)  
[Mode (1) Register D6]

- ② SHR and SHD (CDS sampling clock)  
[Mode (2) Register D3 & D2]
- ③ BLK, OBP, CCDCLP and ADCLP (Enable controls)  
[Mode (2) Register D3 & D2]

## Power Control

Usually, make the power control register (Mode (1) Register D3) "1" to select low power mode. The default setting of this register is "1".

## Data Output Clock

The ADCK input or the OUTCK input is selectable as an ADC data output clock.

## General Notice for Power Supply

It is recommended to supply power to both AV<sub>DD</sub> and DV<sub>DD</sub> from a single regulator.

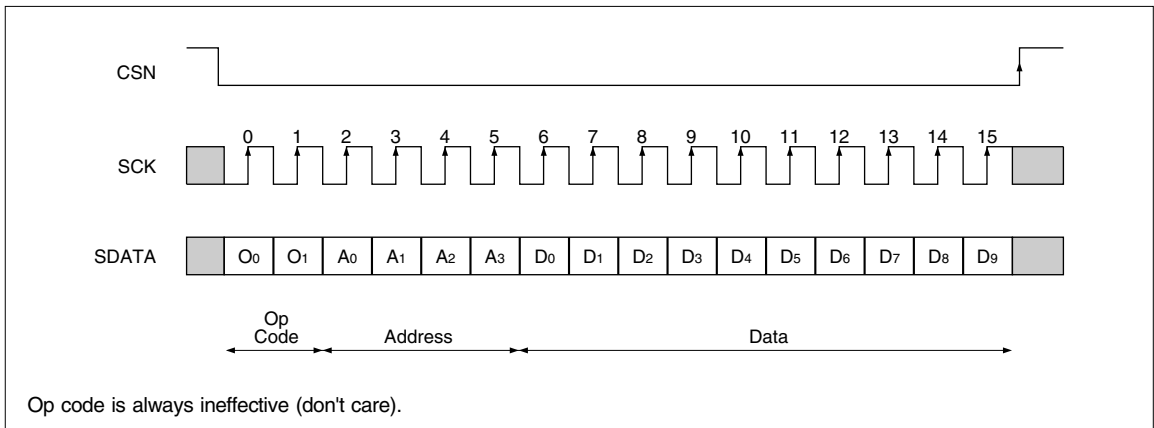
(Keep the absolute maximum rating;  $DV_{DD} \leq (AV_{DD} + 0.3 \text{ V})$  even at the power-up or the power-down sequence.)

Refer to "**APPLICATION CIRCUIT EXAMPLE**" for power supply decouplings.

## Serial Interface Circuit

The internal registers of IR3Y48A1 are controlled by the 3-wire serial interface. The data is a 16-bit-length serial data that consists of a 2-bit operation code, a 4-bit address, and a 10-bit data. The each bit is fetched at the rising edge of the SCK input and the data is executed at the rising edge of the CSN input. When not access, make the CSN input high.

It is prohibited to write to a non-defined address. When a data length is below 16-bit, the data is not executed.



**Serial Interface Write Control**

### Registers

The IR3Y48A1 has 10-bit x 7 registers to control its operations. Two of the seven registers are used for

the LSI testing.

All registers are write only. The serial registers are written by the serial interface.

#### Register Map

R/W	ADDRESS				REGISTER NAME	MAJOR FUNCTIONS [DATA]
	A3	A2	A1	A0		
W	0	0	0	0	Mode (1)	DOUT timing control/OUTCK polarity/ADCK polarity/ADIN connection/Power control/ADC output/Black level reset/Power down
W	0	0	0	1	Mode (2)	Clamp current/ADIN clamp/Clamp target/ S/H, enable logic/Monitor selection
W	0	0	1	0	Mode (3)/CDS gain	CDS gain control/Black loop gain boost/Boost period
W	0	0	1	1	PGA gain	PGA gain
W	0	1	0	0	Black level	ADC code at black level (1 LSB step)
W	1	0	0	0	Test (1)	Test mode (1) (ADIN coupling mode)
W	1	0	0	1	Test (2)	Test mode (2)

1. Register name                      Mode (1)

2. Register address  
[Write]

A3	A2	A1	A0
0	0	0	0

3. Register bit assignment

	D9	D8	D7	D6	D5	D4	D3	D2	D1	D0
Default	X	0	0	0	0	0	0	0	0	0
Functions										
DOUT timing control		<->								
OUTCK polarity			<->							
ADCK polarity				<->						
ADIN connection					<---->					
Power control							<->			
ADC output								<->		
Black level reset									<->	
Power down										<->



## 4. Register operations

	CONTROLS											OPERATIONS	NOTE	
	D9	D8	D7	D6	D5	D4	D3	D2	D1	D0				
DOUT timing control		0											DOUT synchronizes to ADCK	
		1											DOUT synchronizes to OUTCK	
OUTCK polarity			0										DOUT changes at OUTCK rising edge	1
			1										DOUT changes at OUTCK falling edge	1
ADCK polarity				0									Normal operation as timing chart	
				1									ADCK clock inversion	
ADIN connection					0	0							ADIN function OFF	
					0	1							ADIN signal to PGA	
					1	X							ADIN signal to ADC	
Power control								0					Not recommended	
								1					Low power	2
ADC output									0				Normal operation [ADC data output]	
									1				ADC output High-Z [or logic of STBYN]	3
Black level reset										0			Normal operation	
										1			Black level reset [or logic of RESETN]	4
Power down											0		Normal operation	
											1		Power down [or logic of STBYN]	

**NOTES :**

X : Don't care

- DOUT edge control is effective when D8 = 1 (DOUT synchronizes to OUTCK).
- Power control bit (D3) must be "1" to operate as specified value.  
The default value is "1" (low power).
- ADC output is set to high impedance if one of the following case is true.  
Case 1 : Set "ADC output" bit to "1".  
Case 2 : Set STBYN pin to low.  
Case 3 : Set "Power down" bit to "1".
- Black level integral CAP [OBCAP] is discharged if the following case is true.  
Case 1 : Set "Black level reset" bit to "1".  
Case 2 : Set RESETN pin to low.

1. Register name Mode (2)

2. Register address  
[Write]

A3	A2	A1	A0
0	0	0	1

3. Register bit assignment

	D9	D8	D7	D6	D5	D4	D3	D2	D1	D0
Default	X	X	0	0	0	0	0	0	0	0
Functions										
Clamp current			<->							
ADIN clamp				<->						
Clamp target					<---->					
S/H, enable logic							<---->			
Monitor selection									<---->	

X : Don't care

4. Register operations

	CONTROLS										OPERATIONS	NOTE	
	D9	D8	D7	D6	D5	D4	D3	D2	D1	D0			
Clamp current			0									Normal clamp ( $\pm 50 \mu\text{A}$ )	
			1									Fast clamp ( $\pm 100 \mu\text{A}$ )	
ADIN clamp				0								Clamp operation active for ADIN	
				1								No clamp for ADIN	
Clamp target					0	0						Normal mode [Clamp both REFIN and CCDIN]	
					0	1						Clamp REFIN only	
					1	0						Clamp CCDIN only	
					1	1						Clamp OFF	
S/H, enable logic							0	0				Normal operation as timing chart	
							0	1				S/H control polarity inversion	1
							1	0				Enable control polarity inversion	2
							1	1				Both of S/H and enable inversion	
Monitor selection									0	0		Monitor OFF	
									0	1		CDS signal to monitor	3
									1	0		PGA output monitor	4
									1	1		Output REFIN and CCDIN (for calibration)	

**NOTES :**

1. The S/H signals are SHR and SHD.
2. The enable controls are BLK, OBP, CCDCLP, and ADCLP.
3. At this mode, monitor output gain = 0 dB regardless of CDS gain.
4. At this mode, monitor output depends on CDS gain.

1. Register name Mode (3)

2. Register address  
[Write]

A3	A2	A1	A0
0	0	1	0

3. Register bit assignment

	D9	D8	D7	D6	D5	D4	D3	D2	D1	D0
Default	X	X	X	X	0	0	0	0	0	0
CDS gain control					<---->					
Black loop gain boost							<->			
Boost period								<----->		

X : Don't care

4. Register operations

	CONTROLS										OPERATIONS	NOTE	
	D9	D8	D7	D6	D5	D4	D3	D2	D1	D0			
CDS gain control					0	0						CDS gain = 0 dB	
					0	1						CDS gain = +6.02 dB	
					1	0						CDS gain = +12.04 dB	
					1	1						CDS gain = -1.94 dB	
Black loop gain boost							0					Boost control ON	1
							1					Always high gain	2
Boost period								0	0	0		Always low gain	3
								0	0	1		High gain for 1 OBP pulse	1, 3
								0	1	0		High gain for 2 OBP pulses	1, 3
								0	1	1		High gain for 3 OBP pulses	1, 3
								1	0	0		High gain for 4 OBP pulses	1, 3
								1	0	1		High gain for 5 OBP pulses	1, 3
								1	1	0		High gain for 6 OBP pulses	1, 3
								1	1	1		High gain for 7 OBP pulses	1, 3

**NOTES :**

- Black loop settling gain is boosted [speed up] for defined period.  
Gain is boosted n OBP pulse(s) after rising edge of CSN [SIO data write].  
Boosted period n (1 to 7 pulses) is determined by "boost period" (D2...D0).  
After n OBP pulse(s), black loop gain returns automatically to low gain.
- Black loop settling gain is always high gain [boosted].
- "Boost period" register is effective only when D3 = 1.

1. Register name PGA gain

2. Register address

[Write]

A3	A2	A1	A0
0	0	1	1

3. Register bit assignment

	D9	D8	D7	D6	D5	D4	D3	D2	D1	D0
Default	X	0	0	0	0	0	0	0	0	0
Functions										
PGA gain		<----->								

X : Don't care

4. Register operations

	CONTROLS										DECIMAL	HEX	PGA GAIN (dB)		
	D9	D8	D7	D6	D5	D4	D3	D2	D1	D0					
PGA gain	0	0	0	0	0	0	0	0	0	0	0	0	0	0.000	
	0	0	0	0	0	0	0	0	0	0	1	1	1	0.047	
	0	0	0	0	0	0	0	0	0	1	0	0	0	0.094	
	0	0	0	0	0	0	0	0	1	1	1	1	1	0.141	
	0	0	0	0	0	0	0	1	0	0	0	0	0	0.188	
	0	0	0	1	1	1	1	1	1	0	0	0	0	0	2.916
	0	0	0	1	1	1	1	1	1	1	1	1	1	1	2.963
	0	0	1	0	0	0	0	0	0	0	0	0	0	0	3.010
	0	0	1	0	0	0	0	0	0	0	1	1	1	1	3.057
	0	0	1	1	1	1	1	1	1	1	1	1	1	1	5.973
	0	1	0	0	0	0	0	0	0	0	0	0	0	0	6.020
	0	1	0	0	0	0	0	0	0	0	1	1	1	1	6.067
	0	1	1	0	0	0	0	0	0	0	0	0	0	0	9.030
	0	1	1	1	1	1	1	1	1	1	1	1	1	1	11.993
	1	0	0	0	0	0	0	0	0	0	0	0	0	0	12.040
	1	0	0	0	0	0	0	0	0	0	1	1	1	1	12.087
	1	0	1	0	0	0	0	0	0	0	0	0	0	0	15.050
	1	0	1	1	1	1	1	1	1	1	1	1	1	1	18.013
	1	1	0	0	0	0	0	0	0	0	0	0	0	0	18.060
1	1	0	0	0	0	0	0	0	0	1	1	1	1	18.107	
1	1	1	0	0	0	0	0	0	0	0	0	0	0	21.070	
1	1	1	1	1	1	1	1	1	1	0	0	0	0	23.986	
1	1	1	1	1	1	1	1	1	1	1	1	1	1	24.033	

1. Register name                      Black level

2. Register address  
[Write]

A3	A2	A1	A0
0	1	0	0

3. Register bit assignment

	D9	D8	D7	D6	D5	D4	D3	D2	D1	D0
Default	X	X	X	1	0	0	0	0	0	0
Functions										
Black level				<----->						

X : Don't care

4. Register operations

	OPERATIONS [ADC CODE : BINARY]										BLACK CODE		NOTE	
	B9	B8	B7	B6	B5	B4	B3	B2	B1	B0	DECIMAL	HEX		
Black level				0	0	0	0	0	0	0	FORBIDDEN	FORBIDDEN		
				0	0	0	0	0	0	1	1	1	1	
							...							1
				0	0	0	1	1	1	1	15	F	1	
				0	0	1	0	0	0	0	16	10		
				0	0	1	0	0	0	1	17	11		
				0	0	1	0	0	1	0	18	12		
				0	0	1	0	0	1	1	19	13		
							...							
				0	1	0	0	0	0	0	32	20		
							...							
				1	0	0	0	0	0	0	64	40		
							...							
				1	1	1	1	1	0	0	124	7C		
				1	1	1	1	1	0	1	125	7D		
			1	1	1	1	1	1	0	126	7E			
			1	1	1	1	1	1	1	127	7F			

**NOTE :**

- Codes 1 to 15 are available but not recommended. Black calibration period is specified under 15 < code < 128.

1. Register name Test (1)

2. Register address  
[Write]

A3	A2	A1	A0
1	0	0	0

3. Register bit assignment

	D9	D8	D7	D6	D5	D4	D3	D2	D1	D0
Default	X	X	X	0	0	0	0	0	0	0
Functions										
ADIN test mode				<->						

**NOTE :**

X : Don't care

D5 to D0 must always be "0".

4. Register operations

	CONTROLS										OPERATIONS
	D9	D8	D7	D6	D5	D4	D3	D2	D1	D0	
ADIN test mode				0							Normal operation
				1							VCOM centered ADIN for AC coupling

The Test register (D6) is for the AC coupled ADIN input mode. At this mode, the DC bias becomes the VCOM voltage and no clamp signals are required.

Connect a 50 kΩ resistor between the ADIN (pin 14) and CLPCAP (pin 13), and input the signal to the ADIN pin via a capacitor.

1. Register name Test (2)

2. Register address  
[Write]

A3	A2	A1	A0
1	0	0	1

3. Register bit assignment

	D9	D8	D7	D6	D5	D4	D3	D2	D1	D0
Default	X	X	X	X	X	0	0	0	0	0
Functions										
Test modes						<----->				

**NOTE :**

X : Don't care

D4 to D0 must always be "0".

**ABSOLUTE MAXIMUM RATINGS** (AVSS = DVSS = 0 V, all voltages are with respect to GND.)

PARAMETER	SYMBOL	CONDITIONS	RATING	UNIT	NOTE
Power supply voltage	AVDD		-0.3 to +4.5	V	
	DVDD		-0.3 to +4.5 or AVDD + 0.3	V	1
Voltage difference	VDLT	DVDD - AVDD	0.3	V	
Power consumption	PD	TA ≤ 25°C	570	mW	
PD derating ratio		TA > 25°C	4.5	mW/°C	
Input current	IIN	Except power supply pins	±10	mA	
Analog input voltage	VINA		AVSS - 0.3 to AVDD + 0.3	V	
Digital input voltage (Input pin)	VINL		AVSS - 0.3 to AVDD + 0.3	V	
Digital input voltage (Output pin)	VONL		AVSS - 0.3 to AVDD + 0.3	V	2
Operating temperature	TOPR		-30 to +85	°C	
Storage temperature	TSTG		-40 to +125	°C	

**NOTES :**

1. The higher voltage of 4.5 V or AVDD + 0.3 V specifies maximum value of DVDD absolute maximum rating.
2. The VONL limits the excess voltage applied to digital output pins.

**WARNING :**

Operation at or beyond these limits may result in permanent damage to the device. Normal operating specifications are not guaranteed at these extremes.

**RECOMMENDED OPERATING CONDITIONS**

(AVSS = DVSS = 0 V, all voltages are with respect to GND.)

PARAMETER	SYMBOL	CONDITIONS	MIN.	TYP.	MAX.	UNIT
Supply voltage	Analog	At start-up, turn on AVDD before (or at the same time as) turning on DVDD.	2.7	3.0	3.6	V
	Digital output		2.7	3.0	AVDD	V

**ELECTRICAL CHARACTERISTICS****Supply Current (NOTE 1)**

(TA = +25°C, AVDD = DVDD = 3.0 V)

PARAMETER	SYMBOL	CONDITIONS	MIN.	TYP.	MAX.	UNIT	NOTE
Supply current at normal operation	Analog	fs = 18 MHz		28	31	mA	2
	Digital			5	7	mA	2, 3
Supply current at monitor active	IPE	fs = 18 MHz		30	34	mA	3
Supply current at power down	IPD				0.1	mA	4

**NOTES :**

1. Specified at a 4.7 kΩ AISET resistance. Use a high precision resistor because it influences the supply current.
2. Specified when the monitor function is off.
3. Measured when connecting 10 pF capacitors between the DO0 to DO9 pins and GND, and inputting full scale of 1 MHz sine wave to the ADC.
4. Measured under no analog input and with clock fixed at low.

## Analog Specifications

(Unless otherwise specified,  $V_{DD} = DV_{DD} = 3.0\text{ V}$ ,  $T_A = +25^\circ\text{C}$ , signal frequency  $f_{IN} = 1\text{ MHz}$ , signal level = full scale – 1 dB.)

The current direction flowing into the pin is positive direction.

### CDS & CLAMP CIRCUITS

(Sampling frequency  $f_s = 18\text{ MHz}$ )

PARAMETER	SYMBOL	CONDITIONS	MIN.	TYP.	MAX.	UNIT	NOTE
Analog input range	$V_{ICDS}$	CCDIN input		1.1		Vp-p	1
	$V_{IAI}$	ADIN input		1.0		Vp-p	
Equivalent input noise	NI	At $f_s = 18\text{ MHz}$	At max. gain	50		$\mu\text{V}_{\text{rms}}$	2
			At min. gain	200		$\mu\text{V}_{\text{rms}}$	
Input capacitance	$C_{IN}$	CCDIN, ADIN & REFIN		15		pF	
Input bandwidth	CBW				1	pixel	3
Clamp voltage	$V_{CLPCAP}$	CCDIN input	1.65	1.8	1.95	V	
		ADIN input	1.15	1.3	1.45	V	
Black calibration time	tBKCAL				200	pixel	4
Maximum calibratable offset voltage	$V_{BKCAL}$			$\pm 200$		mV	5

#### NOTES :

- The signal dynamic range is below the clamp voltage at the CCDIN input, and it is above the one at the ADIN input. The  $V_{ICDS}$  is applied at the 0 dB gain. When the gain is below 0 dB,  $V_{ICDS}$  is 1.25 Vp-p (TYP.).
- Measured at the MONOUT pin. The noise bandwidth is 100 kHz to 5 MHz.
- The bandwidth from the CCDIN/REFIN to the ADC. This is defined as the settling time of the ADC when the full scale – 1 dB step input is inputted and the gain is 0 dB.
- The time that is needed to settle the average value within  $\pm 1$  LSB for the set code when the PGA gain is changed. (The OBCAP capacitor is 0.1  $\mu\text{F}$ .)

The value of the OBCAP capacitor determines the bandwidth of the black calibration loop. The loop gain is also affected by the operation frequency. Therefore the

maximum frequency that is needed to settle within a limited time and the minimum frequency that is needed to avoid the undesirable oscillation are defined corresponding with the external capacitance. Refer to the table below to select the capacitance.

OBCAP CAPACITANCE ( $\mu\text{F}$ )	MINIMUM FREQUENCY (MHz)	MAXIMUM FREQUENCY (MHz)	
		Within 200 pixels	Within 400 pixels
0.068	11	Up to 18	Up to 18
0.1	8	Up to 18	Up to 18
0.15	4	Up to 14	Up to 18
0.33	3	Up to 6	Up to 10

- The maximum calibratable offset means the difference of the CCDIN reference level and the set data at the OBP period.



## GAIN

PARAMETER		SYMBOL	CONDITIONS	MIN.	TYP.	MAX.	UNIT	NOTE
CDS gain	select 0 dB	GMNN	Absolute gain	-1.9	-0.9	0.1	dB	1
	select 6.02 dB	G (1)	Relative gain	5.52	6.02	6.52	dB	
	select 12.04 dB	G (2)		11.54	12.04	12.04	dB	
	select -1.94 dB	G (3)		-2.44	-1.94	-1.44	dB	
PGA input	Minimum gain	GMNNA	Absolute gain	-1.3	-0.3	0.7	dB	1
	Maximum gain	GMXNA	Relative gain	22.906	23.906	24.906	dB	
	Gain step	GSTA		0	0.047	0.094	dB	
Total (CDS + PGA) gain monotonicity		ERPA				±2	LSB	2

## NOTES :

1. Measured at the digital output pins (DO<sub>0</sub> to DO<sub>9</sub>). When the input voltage is 1.0 Vp-p and ADC output is the full scale, the absolute gain is defined as a 0 dB. The relative gain is the relative value from the absolute gain. The gain monotonicity is guaranteed except least significant bit.
2. Measured at the digital output pins (DO<sub>0</sub> to DO<sub>9</sub>).

## A/D CONVERTER CIRCUIT

(f<sub>s</sub> = 18 MHz, Input signals to ADIN.)

PARAMETER	SYMBOL	CONDITIONS	MIN.	TYP.	MAX.	UNIT	NOTE
Resolution	RES				10	bits	
Differential nonlinearity	DNL	f <sub>s</sub> = 18 MHz		±0.6	±1.0	LSB	1
S/N	SN			58		dB	
S/(N + D)	SND			56		dB	
ADC common voltage	V <sub>COM</sub>		1.0	1.1	1.2	V	
VREF voltage (positive)	V <sub>RP</sub>		1.25	1.35	1.45	V	
VREF voltage (negative)	V <sub>RN</sub>		0.75	0.85	0.95	V	
ADC output black level calibration code	CCAL		16		127	LSB	
			1		127	LSB	2
Calibration code resolution	STCAL			1		LSB	

## NOTES :

1. Non missing code is guaranteed.
2. Black calibration period (t<sub>BKCAL</sub>) is specified when the CCAL is from 16 to 127 LSB.  
Although black level codes of 1 to 15 could be set, t<sub>BKCAL</sub> is not guaranteed for these codes.

## Switching Characteristics

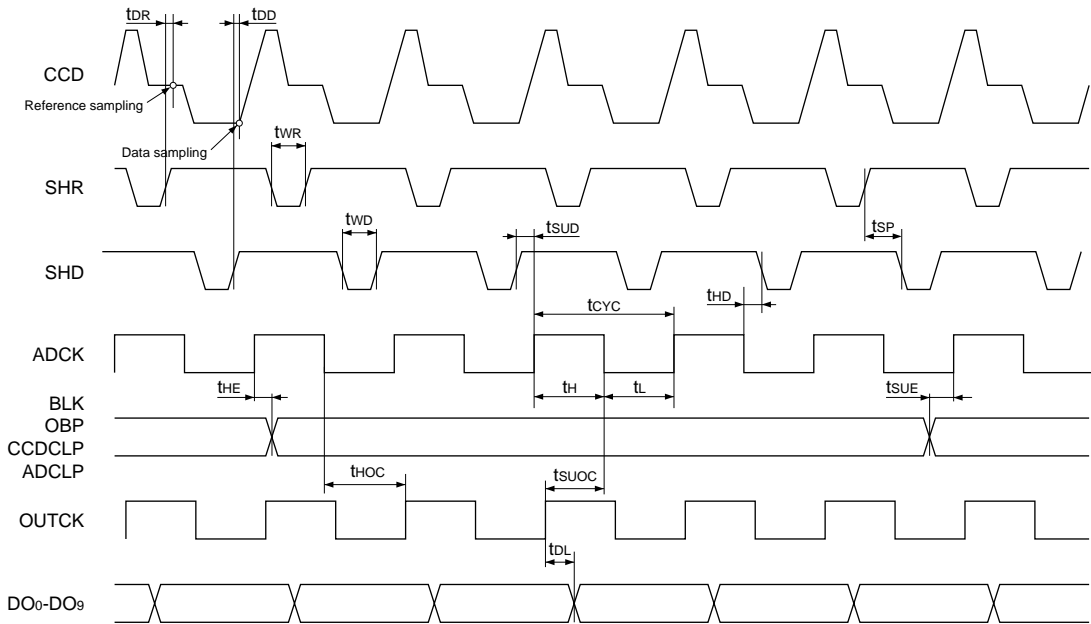
(AVDD, DVDD = 2.7 to 3.6 V, AVSS, DVSS = 0 V, TA = -30 to +85°C, CL < 10 pF)

PARAMETER	SYMBOL	CONDITIONS	MIN.	TYP.	MAX.	UNIT	NOTE
Conversion frequency	fs		0.5		18	MHz	
Clock cycle time	tCYC		55			ns	
Clock rise time	tR	(30%→70%) AVDD, DVDD			2	ns	
Clock fall time	tF	(70%→30%) AVDD, DVDD			2	ns	
Clock low period	tL		23			ns	
Clock high period	tH		23			ns	
SHR pulse width	tWR		11			ns	
SHD pulse width	tWD		11			ns	
SHR sampling aperture	tDR				4	ns	
SHD sampling aperture	tDD				4	ns	
Data pulse setup	tsUD		2			ns	1
Data pulse hold	tHD		5			ns	
Sampling pulse non-overlap	tSP		1			ns	
Enable pulse setup	tsUE		10			ns	
Enable pulse hold	tHE		10			ns	
OUTCK setup	tsUOC		0			ns	
OUTCK hold	thOC		10			ns	
3 state disable delay	tDLD	Active→High-Z		20		ns	
3 state enable delay	tDLE	High-Z→Active		20		ns	
ADC output data delay	tDL1		2			ns	
	tDL2				35	ns	

### NOTE :

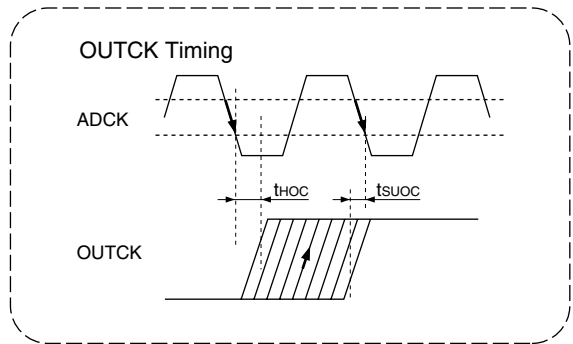
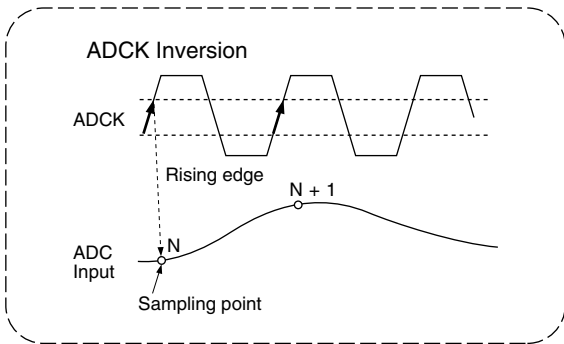
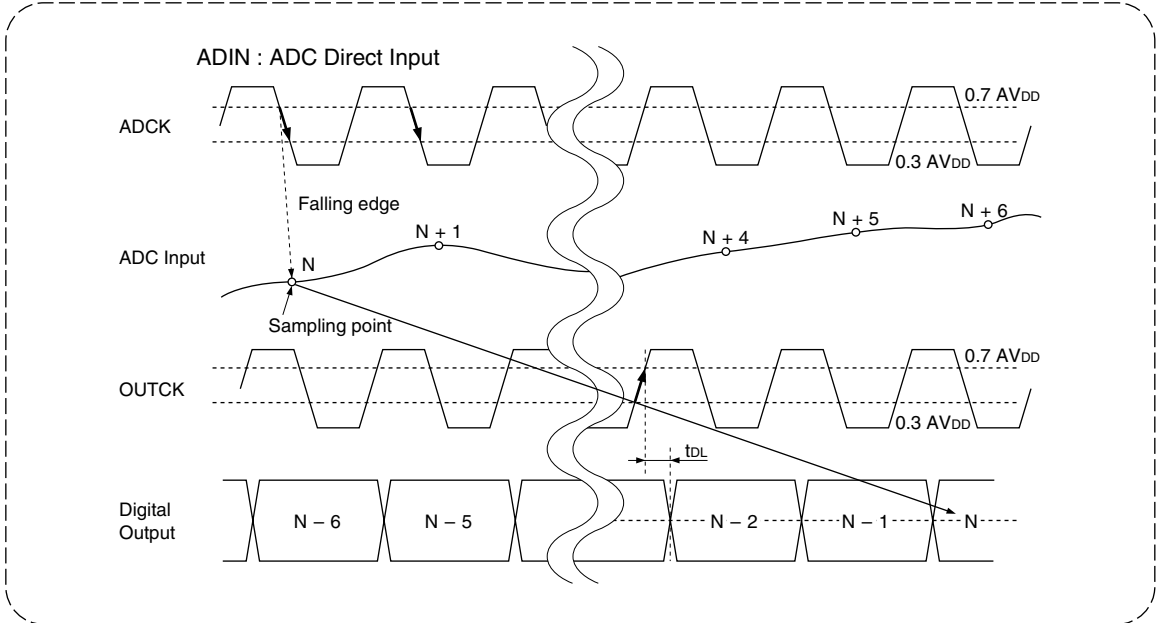
- When SHD ↑ is earlier than ADCK ↓, assumed positive.  
(In the above table, SHD ↑ must be earlier at least 2 ns than ADCK ↑.)

TIMING CHART



This chart is shown when the Mode (1) D8 bit is set to "1", and an external clock is input to the OUTCK pin. When setting D8 bit to "0", the ADCK is used as OUTCK.

**AD Conversion Timing (At ADIN (ADC) Input [Mode (1) Register D5 = 1])**



These figures are shown when the Mode (1) D8 bit is set to "1", and an external clock is input to the OUTCK pin. When setting D8 bit to "0", the ADCK is used as OUTCK.

**NOTE :**

At default condition in ADIN mode, data are sampled at the falling edge of the ADCK clock, and are output at the rising edge of the OUTCK clock. When the data are sampled and are output at the falling edge of the ADCK clock, set ADCK polarity register to "1".

(The upper figure on the previous page shows default timing, and the lower left figure on the previous page shows inverted timing.)

Delay from data sampling to data output

ADCK normal : At [Mode (1) Register D<sub>6</sub> = 0]

5.5 clk delay

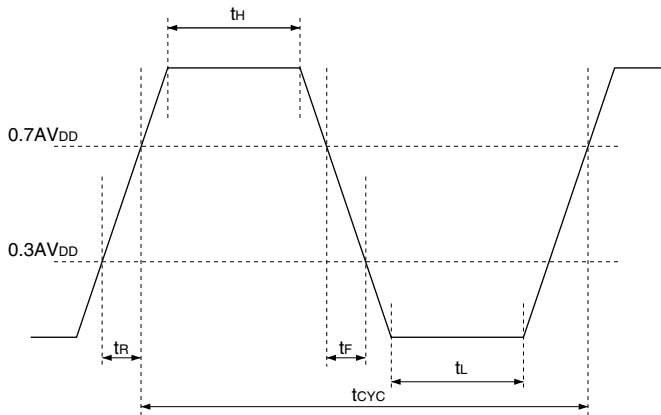
ADCK inversion : At [Mode (1) Register D<sub>6</sub> = 1]

6.0 clk delay

In ADIN input mode, the above-mentioned register setting is available.

At ADIN (PGA) input [Mode (1) Register D<sub>5</sub> = 0 & D<sub>4</sub> = 1] digital data output is delayed from above timing by 2 clk.

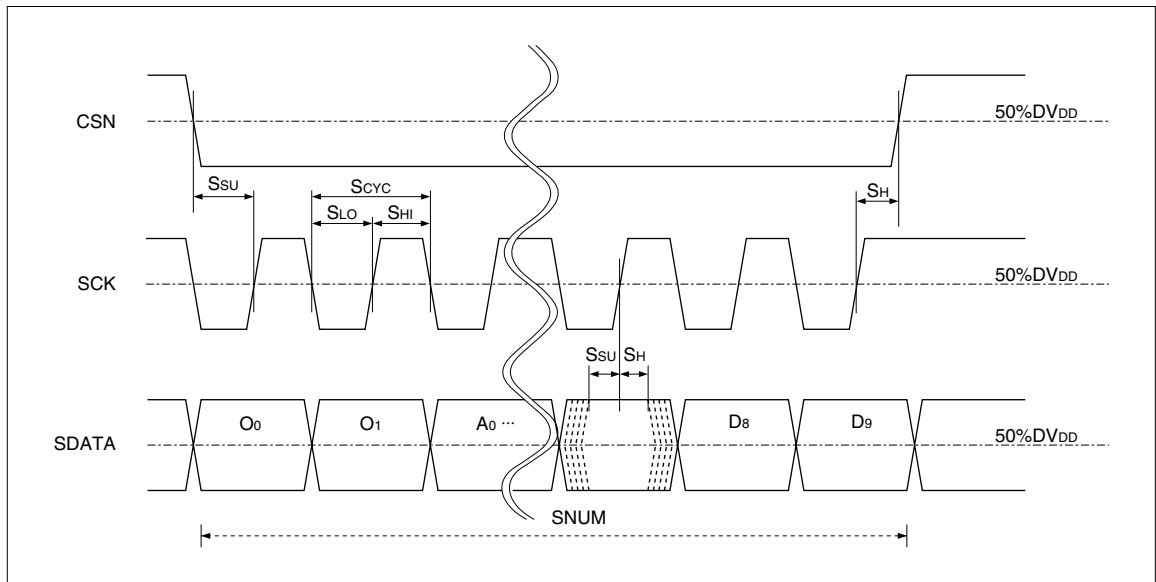
**ADCK Clock Waveform**



## CONTROL INTERFACE TIMING

(AV<sub>DD</sub>, DV<sub>DD</sub> = 2.7 to 3.6 V, AV<sub>SS</sub>, DV<sub>SS</sub> = 0 V, T<sub>A</sub> = -30 to +85°C)

PARAMETER	SYMBOL	CONDITIONS	MIN.	TYP.	MAX.	UNIT
SCK clock frequency	SCYC				10	MHz
SCK clock low level width	SLO		40			ns
SCK clock high level width	SHI		40			ns
Data setup time	SSU		20			ns
Data hold time	SH		20			ns
SCK, CSN rise time	SR	30%→70%			6	ns
SCK, CSN fall time	SF	70%→30%			6	ns
Number of serial data	SNUM			16		pcs



Serial I/F Timing

## Digital DC Characteristics

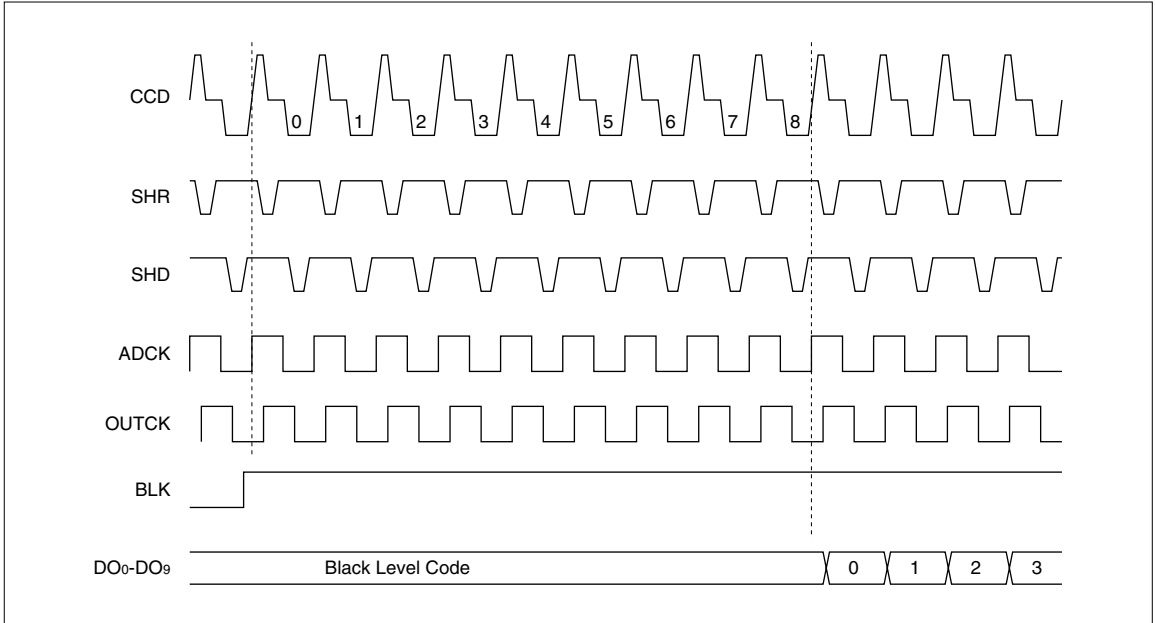
(AV<sub>DD</sub>, DV<sub>DD</sub> = 2.7 to 3.6 V, AV<sub>SS</sub>, DV<sub>SS</sub> = 0 V, T<sub>A</sub> = -30 to +85°C, Measured as a DC characteristics.)

PARAMETER	SYMBOL	CONDITIONS	MIN.	TYP.	MAX.	UNIT	NOTE
Input "Low" voltage	V <sub>IL1</sub>				0.3AV <sub>DD</sub>	V	1
Input "High" voltage	V <sub>IH1</sub>		0.7AV <sub>DD</sub>			V	
Output "Low" voltage	V <sub>OL</sub>	I <sub>OL</sub> = 1 mA			0.3DV <sub>DD</sub>	V	
Output "High" voltage	V <sub>OH</sub>	I <sub>OH</sub> = -1 mA	0.7DV <sub>DD</sub>			V	
Input "High" leakage current	I <sub>LIK</sub>				±10	μA	
High-Z leakage current	I <sub>oZ</sub>				±10	μA	

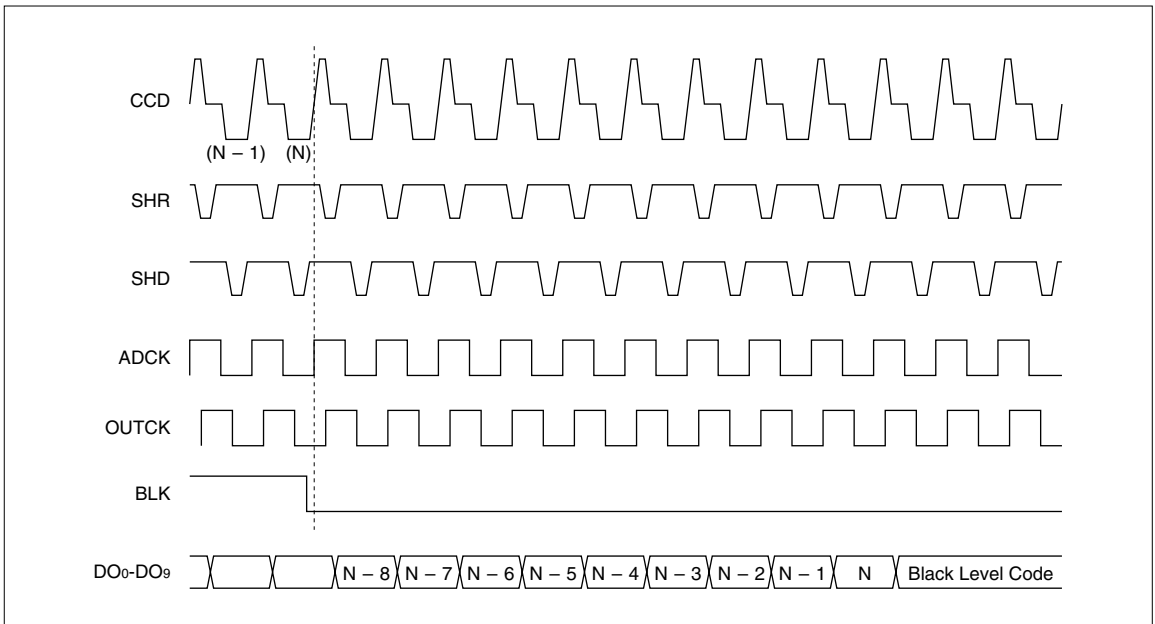
## NOTE :

- Applied to SHD, SHR, ADCK, BLK, OBP, CCDCLP, ADCLP, CSN, SCK, SDATA, RESETN, STBYN and OUTCK.

Data Output Sequence



Pixel Data Readout Sequence (1) : Conversion Start



Pixel Data Readout Sequence (2) : Conversion End

### Clock Timing Variations by Register Setting

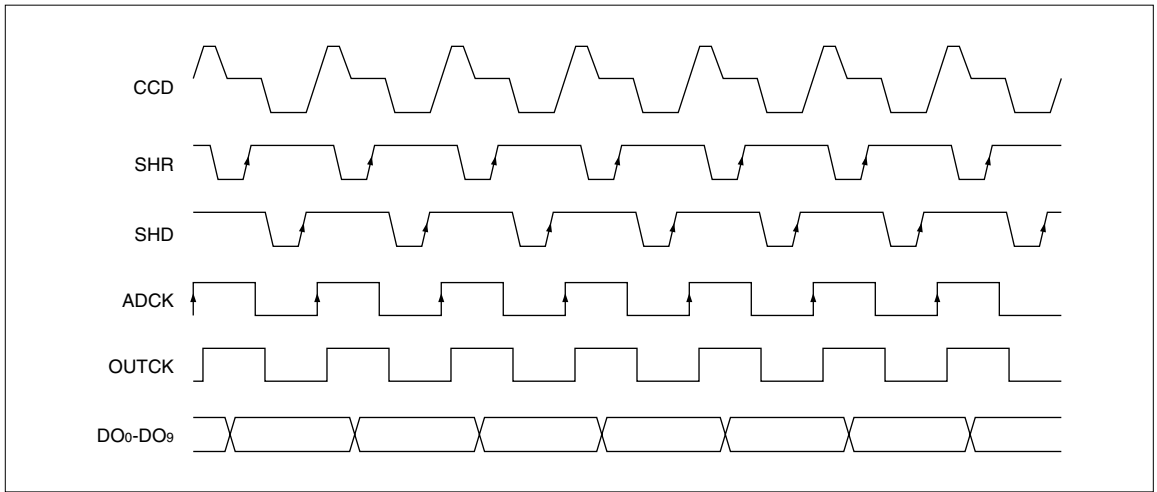
The variations of clock timings when it is inverted by register settings.

1. No inversion

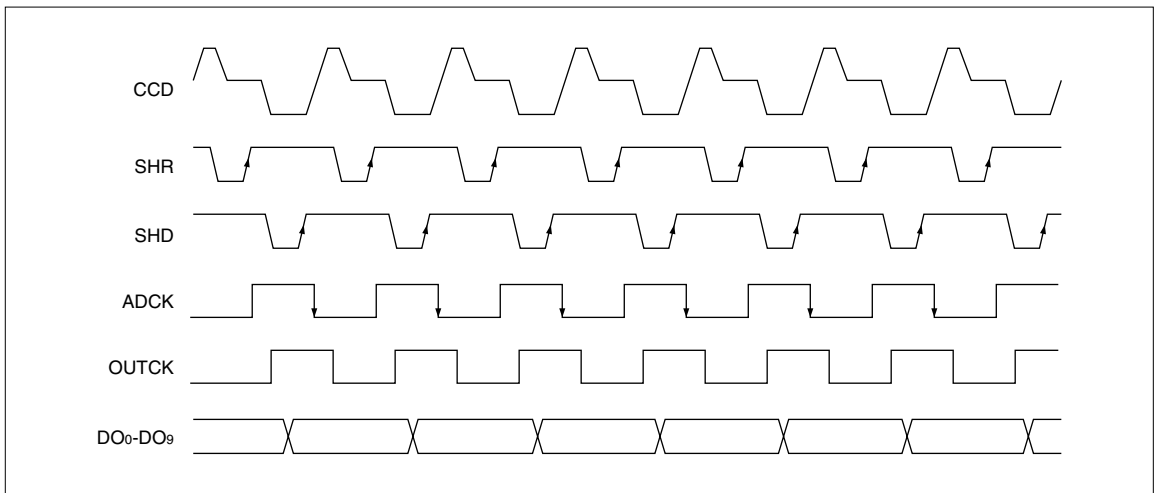
(Mode (1) Register D<sub>6</sub> = 0, Mode (2) Register D<sub>2</sub> = 0; Default) (Upper figure)

2. ADCK inversion

(Mode (1) Register D<sub>6</sub> = 1, Mode (2) Register D<sub>2</sub> = 0) (Lower figure)



Pulse Control (Default : No Inversion)

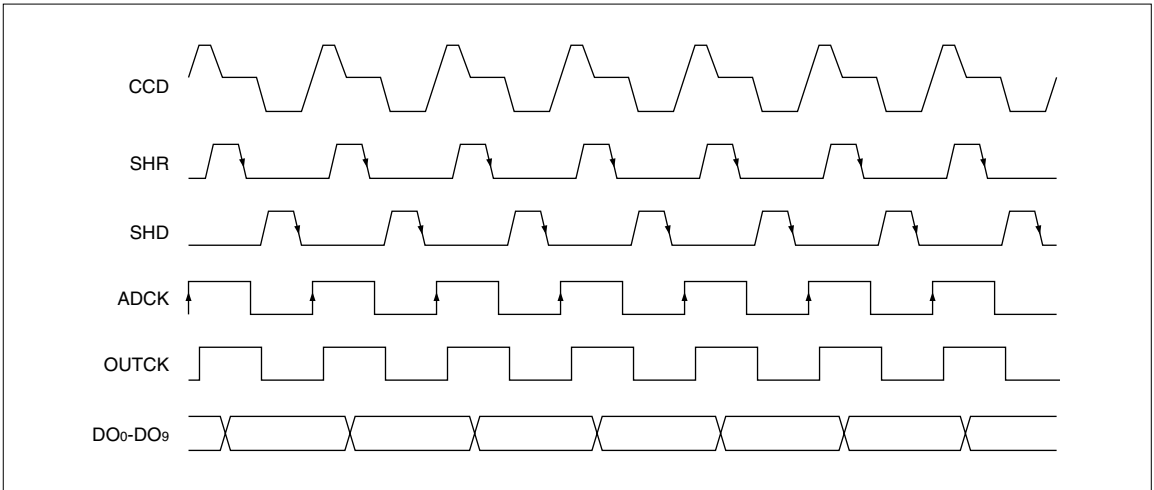


Pulse Control (ADCK Inversion)

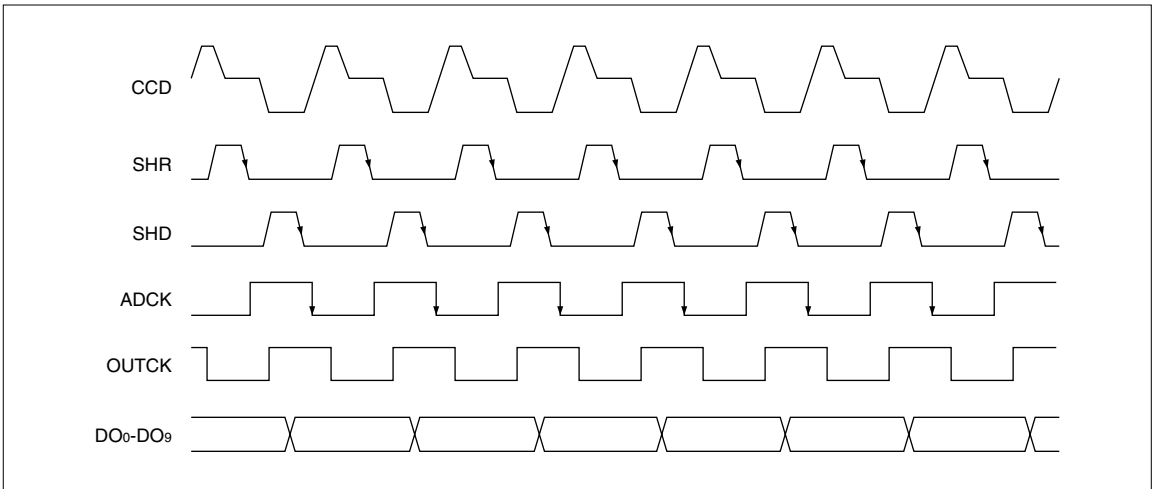


3. SHR & SHD inversion  
(Mode (1) Register D<sub>6</sub> = 0, Mode (2) Register  
D<sub>2</sub> = 1) (Upper figure)

4. ADCK, SHR & SHD inversion  
(Mode (1) Register D<sub>6</sub> = 1, Mode (2) Register  
D<sub>2</sub> = 1) (Lower figure)



Pulse Control (SHR & SHD Inversion)



Pulse Control (ADCK, SHR & SHD Inversion)

### APPLICATION CIRCUIT EXAMPLE

The following schematic is the reference circuit for system design.

Optimize capacitance and resistance according to the system environment.

