

### High Voltage TFT-LCD Logic Driver

The ISL24011 is a high voltage TFT-LCD logic driver with a +40V and -20V (momentary absolute max) output voltage swing capability. It is manufactured using Intersil's proprietary monolithic high voltage bipolar process and is capable of driving a 4700pF load in 500ns.

The ISL24011 will level shift a digital input signal to an output voltage nearly equal to its output supply voltages. The ISL24011 has 3 supplies.  $V_{ON1}$  and  $V_{ON2}$  are positive supplies with a voltage range between +10V and +40V (absolute max).  $V_{OFF}$  is the negative supply with a voltage range between -5V and -20V (absolute max). Outputs 1 through 6 are connected to  $V_{ON1}$  and  $V_{OFF}$ . Outputs 7 and 8 are connected to  $V_{ON2}$  and  $V_{OFF}$ . This configuration enables outputs 1 through 6 to provide slicing to the row drivers to reduce flicker, and outputs 7 and 8 to control possible supply lines.  $V_{ON2}$  should remain constant. It is possible to tie  $V_{ON1}$  and  $V_{ON2}$  supplies together, if independent control as described above is not desired.  $V_{ON2}$  is required to be greater than or equal to  $V_{ON1}$  at all times.

The ISL24011 is available in a 20 Ld TSSOP package. It is specified for operation over the -40°C to +85°C industrial temperature range.

### Ordering Information

PART NUMBER	PART MARKING	TEMP. RANGE (°C)	PACKAGE	PKG. DWG. #
ISL24011IVZ (Note)	24011IVZ	-40 to +85	20 Ld TSSOP (Pb-free)	M20.173
ISL24011IVZ-T (Note)	24011IVZ	-40 to +85	20 Ld TSSOP (Pb-free) Tape & Reel	M20.173

NOTE: Intersil Pb-free plus anneal products employ special Pb-free material sets; molding compounds/die attach materials and 100% matte tin plate termination finish, which are RoHS compliant and compatible with both SnPb and Pb-free soldering operations. Intersil Pb-free products are MSL classified at Pb-free peak reflow temperatures that meet or exceed the Pb-free requirements of IPC/JEDEC J STD-020.

### Features

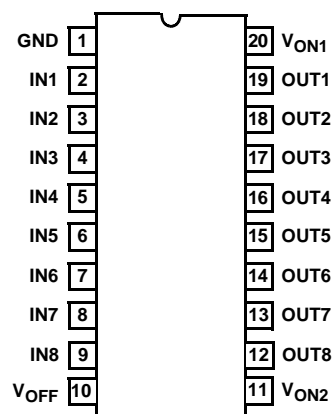
- 0V to 5.5V (absolute max) Input Voltage Range
- +40V and -20V (momentary absolute max) Output Voltage Range
- 10mA Output Continuous Current (all 8 channels)
- 25mA Output Peak Current (all 8 channels)
- Rise/Fall Times 260ns/290ns
- Propagation Delay 230ns
- 50kHz Input Logic Frequency
- 20 Ld TSSOP Pb-Free Package
- Pb-Free Plus Anneal Available (RoHS Compliant)

### Applications

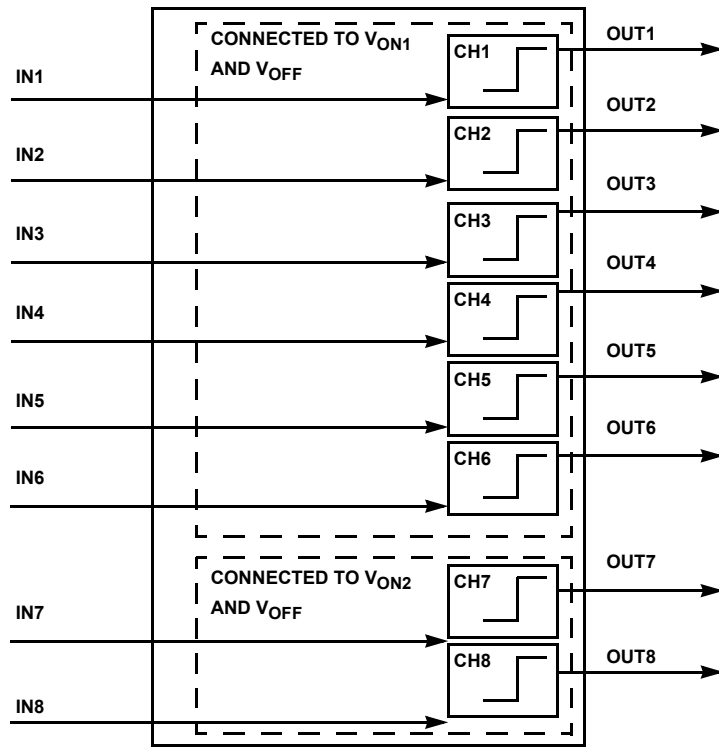
- TFT-LCD panels

### Pinout

ISL24011 (20 LD TSSOP)  
TOP VIEW



Functional Diagram



# ISL24011

## Absolute Maximum Ratings (T<sub>A</sub> = 25°C)

Driver Positive Supply Voltage Range, (V <sub>ON</sub> )	+5V to +40V
Power Supply Voltage Range, (V <sub>ON</sub> to V <sub>OFF</sub> )	+10V to +60V
Negative Supply Voltage Range, (V <sub>OFF</sub> )	-20V to -5V
Supply Turn-On Slew Rate	10V/μs
Input Voltage Range, All Inputs	-0.5V to 5.5V
Output Voltage Range, All Outputs	V <sub>OFF</sub> -0.5V to V <sub>ON</sub> +0.5V
<b>ESD</b>	
HBM	6kV
MM	300V
CDM	1kV

## Thermal Information

Thermal Resistance (Typical, Note 1)	θ <sub>JA</sub> (°C/W)
20 Ld TSSOP Package	140
I <sub>OUT</sub> (continuous, all 8 channels)	80mA
T <sub>AMBIENT</sub>	-40°C to +85°C
T <sub>JUNCTION</sub>	-40°C to +150°C
T <sub>STORAGE</sub>	-65°C to +150°C

**CAUTION:** Stresses above those listed in "Absolute Maximum Ratings" may cause permanent damage to the device. This is a stress only rating and operation of the device at these or any other conditions above those indicated in the operational sections of this specification is not implied.

### NOTE:

1. θ<sub>JA</sub> is measured with the component mounted on a HIGH effective thermal conductivity test board in free air. See Tech Brief TB379 for details.

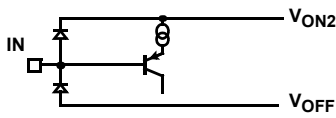
**IMPORTANT NOTE:** All parameters having Min/Max specifications are guaranteed. Typical values are for information purposes only. Unless otherwise noted, all tests are at the specified temperature and are pulsed tests, therefore: T<sub>J</sub> = T<sub>C</sub> = T<sub>A</sub>

## Electrical Specifications V<sub>ON</sub> = 22V, V<sub>OFF</sub> = -5V, T<sub>A</sub> = -40°C to +85°C Unless Otherwise Specified. Typical values tested at 25°C

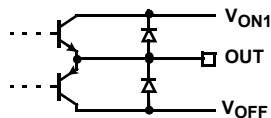
PARAMETER	DESCRIPTION	CONDITION	MIN	TYP	MAX	UNIT
Power Supplies	Recommended Operating Voltages		-5 (V <sub>OFF</sub> )		22 (V <sub>ON</sub> )	V
I(V <sub>ON</sub> )	Supply Current	All Inputs low or high No load V <sub>ON</sub> = V <sub>ON1</sub> + V <sub>ON2</sub>		5.0	8.0	mA
I(V <sub>OFF</sub> )	Supply Current	All Inputs low or high No load	-8.0	-5.0		mA
I <sub>IN</sub>	Input Leakage	Each Input low or high High = 1.8V, Low = 0.8V	-10	± 3.5	10	μA
VOH	High Level Output Voltage	IOH = -100μA V <sub>ON</sub> = 22V RL = 4700pF in parallel with 5kΩ	(V <sub>ON</sub> - 1.5V)	21.2		V
VOL	Low Level Output Voltage	IOH = +100μA V <sub>OFF</sub> = -5V RL = 4700pF in parallel with 5kΩ		-4.3	(V <sub>OFF</sub> + 1.5V)	V
VIH	High Level Input Voltage		1.8			V
VIL	Low Level Input Voltage				0.8	V
t <sub>plh</sub>	Low to High Prop Delay	50% to 50%, Tested with RL = 4700pF in parallel with 5kΩ, f = 50kHz		190	400	ns
t <sub>p<sub>hl</sub></sub>	High to Low Prop Delay	Measured at 50% to 50% f = 50kHz RL = 4700pF in parallel with 5kΩ		230	400	ns
t <sub>tlh</sub>	Rise Time	Measured at 10% to 90% f = 50kHz RL = 4700pF in parallel with 5kΩ		260	400	ns
t <sub>t<sub>hl</sub></sub>	Fall Time	Measured at 10% to 90% f = 50kHz RL = 4700pF in parallel with 5kΩ		290	500	ns

**Pin Descriptions**

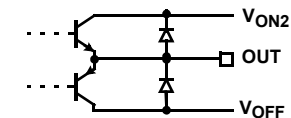
PIN NUMBER TSSOP-20	PIN NAME	EQUIVALENT CIRCUIT	DESCRIPTION
1	GND	4	Ground pin
2	IN1	1	Level shifter input 1
3	IN2	1	Level shifter input 2
4	IN3	1	Level shifter input 3
5	IN4	1	Level shifter input 4
6	IN5	1	Level shifter input 5
7	IN6	1	Level shifter input 6
8	IN7	1	Level shifter input 7
9	IN8	1	Level shifter input 8
10	VOFF	4	Negative output supply for all channels
11	VON2	4	Positive output supply for channels 7 and 8. $V_{ON2}$ is required to be greater than or equal to $V_{ON1}$
12	OUT8	3	Lever shifter output 8
13	OUT7	3	Lever shifter output 7
14	OUT6	2	Lever shifter output 6
15	OUT5	2	Lever shifter output 5
16	OUT4	2	Lever shifter output 4
17	OUT3	2	Lever shifter output 3
18	OUT2	2	Lever shifter output 2
19	OUT1	2	Lever shifter output 1
20	VON1	4	Positive output supply for channels 1 through 6. $V_{ON1}$ is required to be less than or equal to $V_{ON2}$



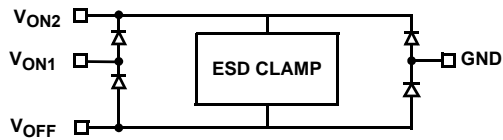
CIRCUIT 1.



CIRCUIT 2.



CIRCUIT 3.



CIRCUIT 4.

**Typical Performance Curves**  $T_A = 25^\circ\text{C}$ , Output load parallel RC ( $R_L = 5\text{k}\Omega$ ,  $C_L = 4700\text{pF}$ ) unless otherwise specified.

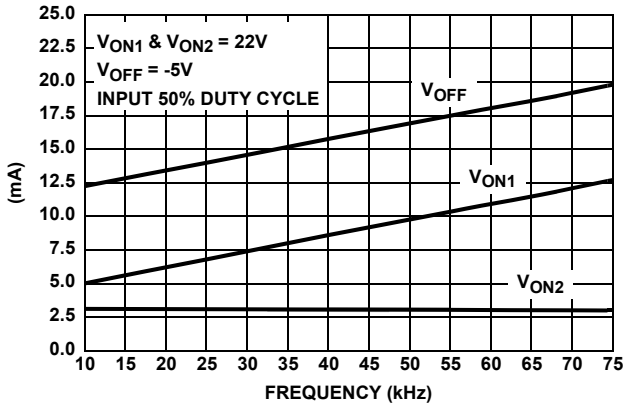


FIGURE 1. SUPPLY CURRENT vs FREQUENCY 1 CHANNEL TOGGLING

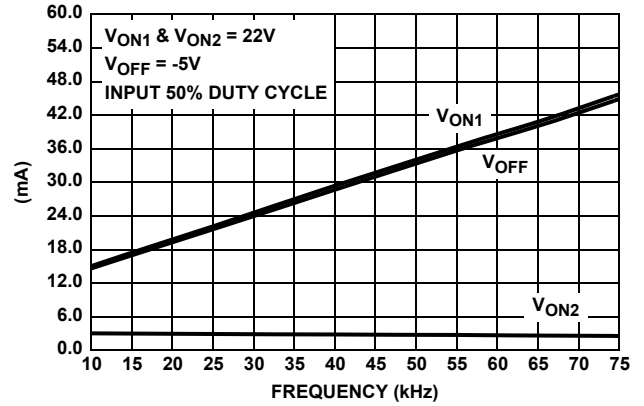


FIGURE 2. SUPPLY CURRENT vs FREQUENCY 4 CHANNELS TOGGLING

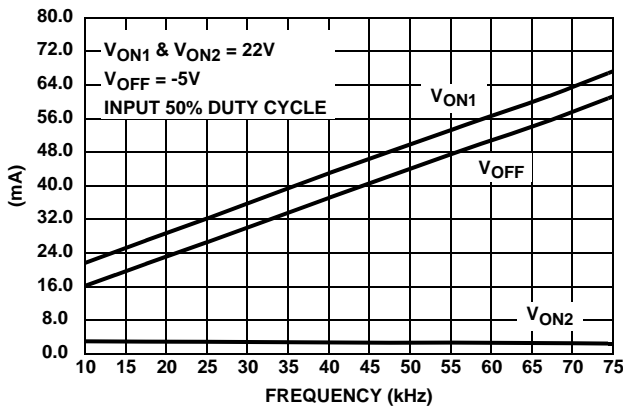


FIGURE 3. SUPPLY CURRENT vs FREQUENCY 6 CHANNELS TOGGLING

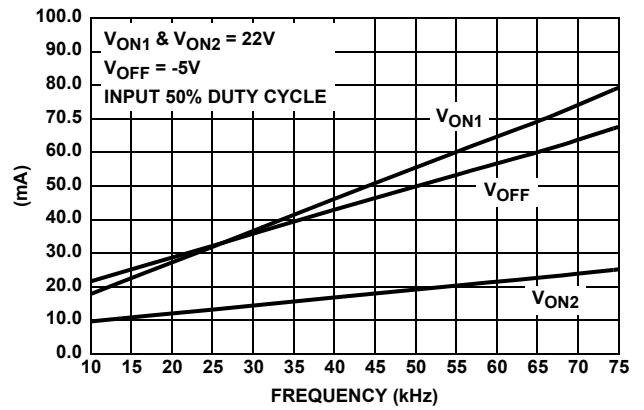


FIGURE 4. SUPPLY CURRENT vs FREQUENCY 8 CHANNELS TOGGLING

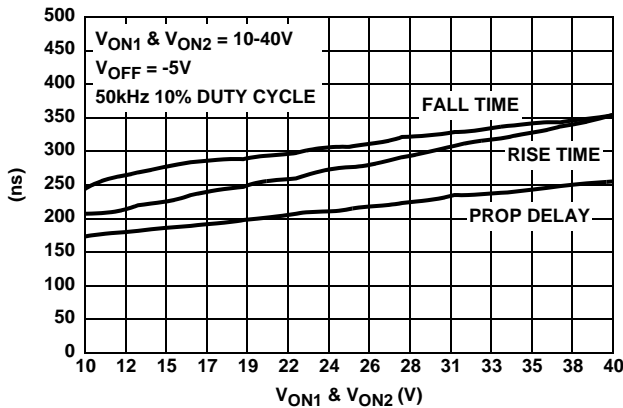


FIGURE 5. RISE TIME, FALL TIME AND PROP DELAY vs  $V_{ON1}$  &  $V_{ON2}$  VOLTAGE WITH  $V_{OFF} = -5\text{V}$

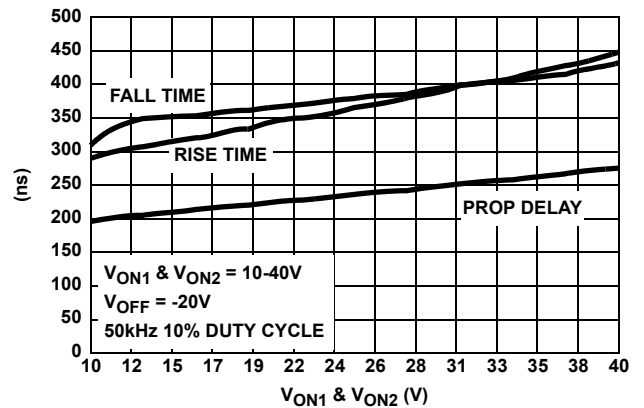


FIGURE 6. RISE TIME, FALL TIME AND PROP DELAY vs  $V_{ON1}$  &  $V_{ON2}$  VOLTAGE WITH  $V_{OFF} = -20\text{V}$

**Typical Performance Curves**  $T_A = 25^\circ\text{C}$ , Output load parallel RC ( $R_L = 5\text{k}\Omega$ ,  $C_L = 4700\text{pF}$ ) unless otherwise specified. (Continued)

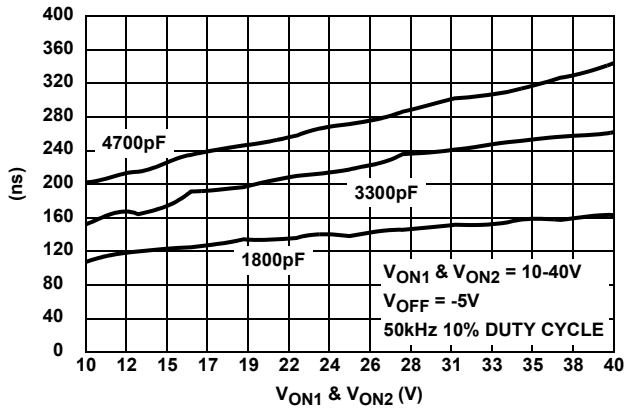


FIGURE 7. RISE TIME vs CAPACITANCE vs SUPPLY VOLTAGE WITH  $V_{OFF} = -5\text{V}$

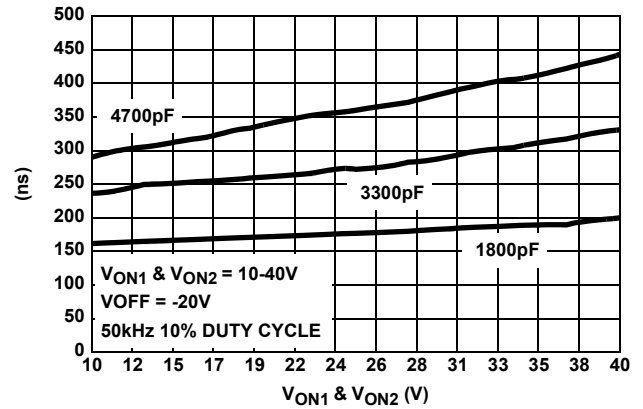


FIGURE 8. RISE TIME vs CAPACITANCE vs SUPPLY VOLTAGE WITH  $V_{OFF} = -20\text{V}$

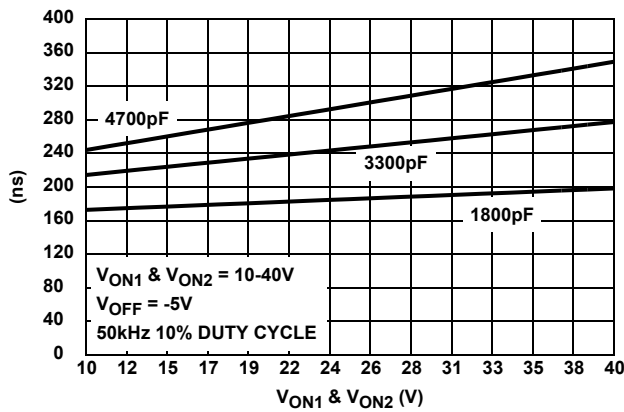


FIGURE 9. FALL TIME vs CAPACITANCE vs SUPPLY VOLTAGE WITH  $V_{OFF} = -5\text{V}$

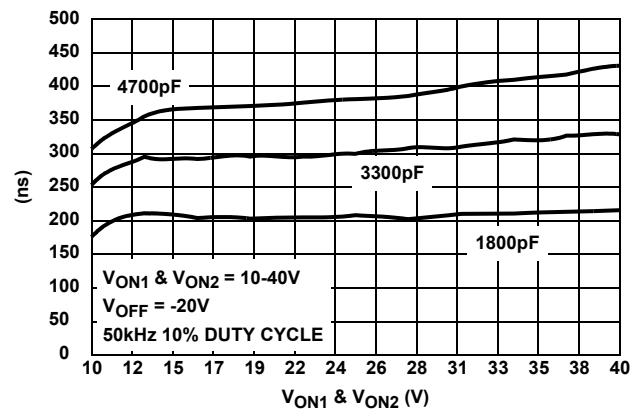


FIGURE 10. FALL TIME vs CAPACITANCE vs SUPPLY VOLTAGE WITH  $V_{OFF} = -20\text{V}$

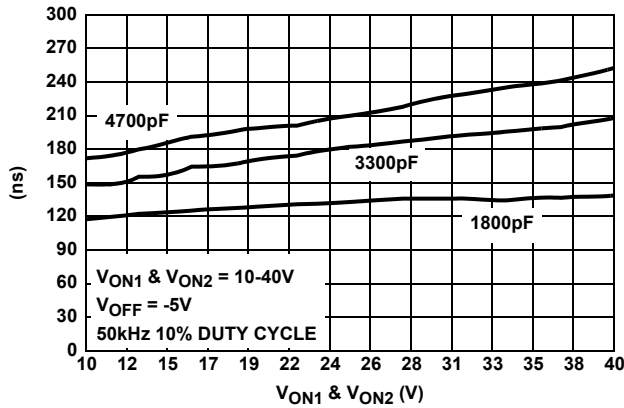


FIGURE 11. PROP DELAY vs CAPACITANCE vs SUPPLY VOLTAGE WITH  $V_{OFF} = -5\text{V}$

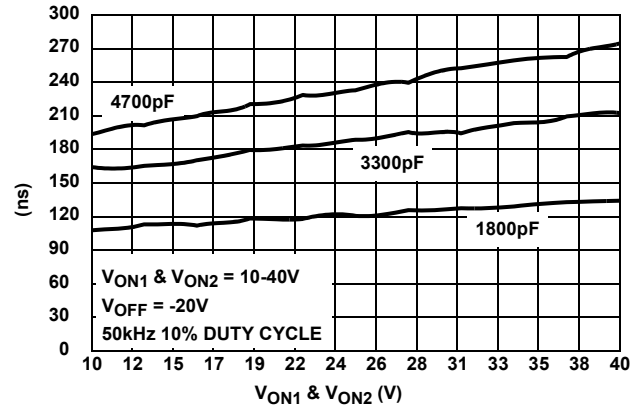


FIGURE 12. PROP DELAY vs CAPACITANCE vs SUPPLY VOLTAGE WITH  $V_{OFF} = -20\text{V}$

**Typical Performance Curves**  $T_A = 25^\circ\text{C}$ , Output load parallel RC ( $R_L = 5\text{k}\Omega$ ,  $C_L = 4700\text{pF}$ ) unless otherwise specified. (Continued)

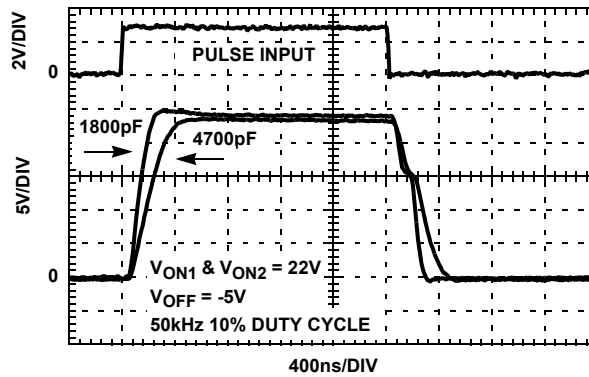


FIGURE 13. TRANSIENT RESPONSE vs LOAD CAPACITANCE

**Application Information**

**General**

The ISL24011 is an octal voltage level shifter. The part was designed to level shift a digital input signal to +22V and -5V for TFT-LCD displays and is capable of level shifting input logic signals (0V to 5.5V) to outputs as large as +40V and -20V.

**Power Supply Decoupling**

The ISL24011 requires a 1.0 $\mu\text{F}$  decoupling capacitor as close to the  $V_{ON1}$ ,  $V_{ON2}$  and  $V_{OFF}$  power supply pins, as possible, for a large load equal to 5k $\Omega$  in parallel with 4700pF (Figure 16). This will reduce any dv/dt between the different supplies and prevent the internal ESD clamp from turning on and damaging the part.

For lighter loads such as a series 200 $\Omega$  resistor and a 3300pF capacitance, the decoupling capacitors can be reduced to 0.47 $\mu\text{F}$ .

**Power Supply Sequence**

The ISL24011 requires that  $V_{ON2}$  be greater than or equal to  $V_{ON1}$  at all times. Therefore, if  $V_{ON1}$  and  $V_{ON2}$  are different supplies, then  $V_{ON2}$  needs to be turned on before  $V_{ON1}$ . The reason for this requirement is shown in Circuit 4 in the Pin Description Table. The ESD protection diode between  $V_{ON2}$  and  $V_{ON1}$  will forward bias if  $V_{ON1}$  becomes a diode drop greater than  $V_{ON2}$ . Recommended power supply sequence:  $V_{ON2}$ ,  $V_{ON1}$ ,  $V_{OFF}$ , then input logic signals.

The ESD protection scheme is based on diodes from the pins to the  $V_{ON2}$  supply and a dv/dt-triggered clamp. This dv/dt-triggered clamp imposes a maximum supply turn-on slew rate of 10V/ $\mu\text{s}$ . This clamp will trigger if the supply powers up too fast, causing amps of current to flow. Ground and  $V_{ON1}$  are treated as I/O pins with this protection scheme. In applications where the dv/dt supply ramp could exceed 10V/ $\mu\text{s}$ , such as hot plugging, additional methods should be employed to ensure the rate of rise is not exceeded.

**Latch-up Proof**

The ISL24011 is manufactured in a high voltage DI process that isolates every transistor in its own tub making the part latch-up proof.

**Input Pin Connections**

Unused inputs must be tied to ground. Failure to tie unused input pins to ground will result in rail to rail oscillations on the respective output pins and higher unwanted power dissipation in the part. Under these conditions, the temperature of the part could get very hot.

**Limiting the Output Current**

No output short circuit current limit exists on this part. All applications need to limit the output current to less than 80mA. Adequate thermal heat sinking of the parts is also required.

**Application Diagram (TV)**

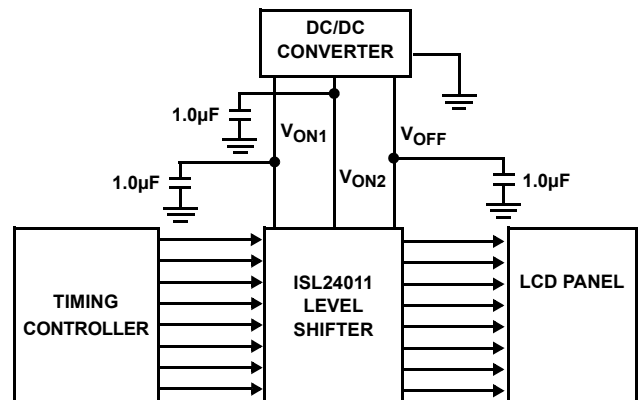


FIGURE 14. TYPICAL TV APPLICATION CIRCUIT

**Application Diagram (Monitor)**

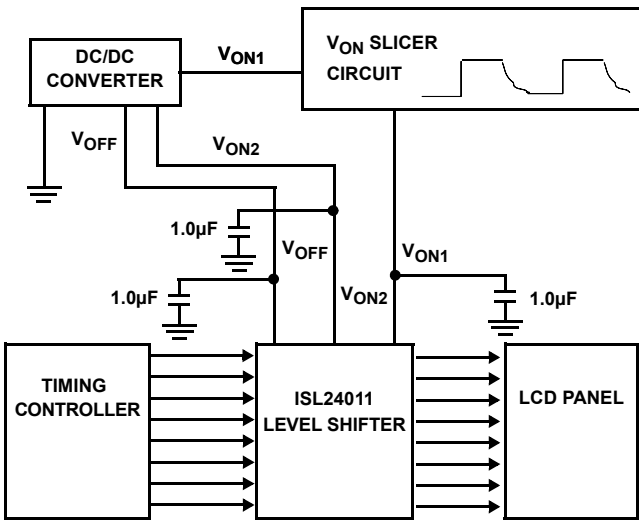
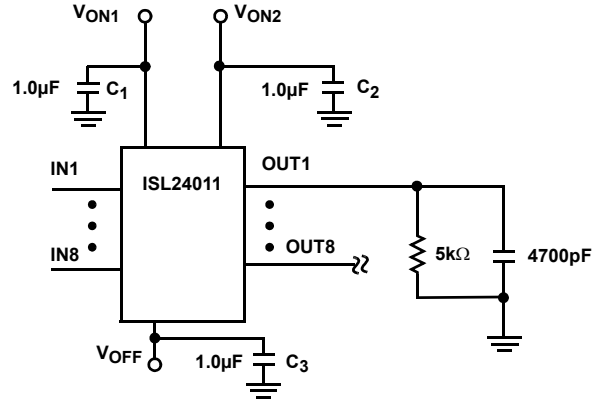


FIGURE 15. TYPICAL MONITOR APPLICATION CIRCUIT WITH SLICER TO REDUCE FLICKER

**Test Circuit**



If the output load is a series 200Ω resistor and a 3300pF then C1, C2 and C3 can be reduced to 0.47µF.

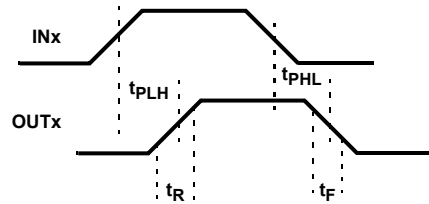
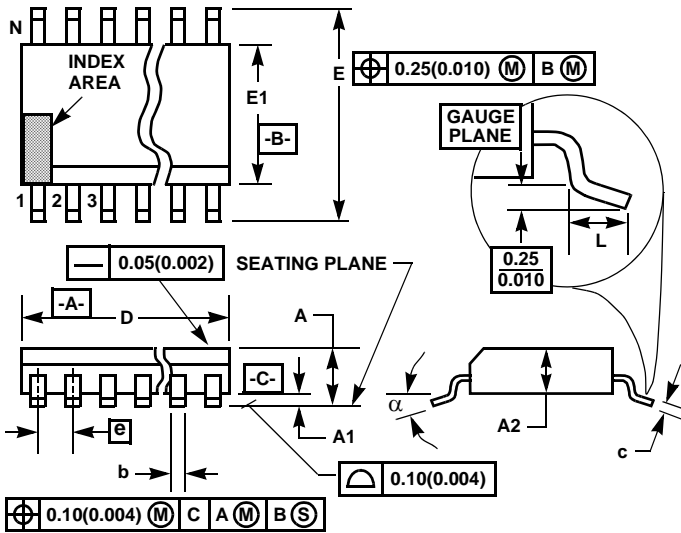


FIGURE 16. TEST LOAD AND TIMING DEFINITIONS



## Thin Shrink Small Outline Plastic Packages (TSSOP)



### M20.173 20 LEAD THIN SHRINK SMALL OUTLINE PLASTIC PACKAGE

SYMBOL	INCHES		MILLIMETERS		NOTES
	MIN	MAX	MIN	MAX	
A	-	0.047	-	1.20	-
A1	0.002	0.006	0.05	0.15	-
A2	0.031	0.051	0.80	1.05	-
b	0.0075	0.0118	0.19	0.30	9
c	0.0035	0.0079	0.09	0.20	-
D	0.252	0.260	6.40	6.60	3
E1	0.169	0.177	4.30	4.50	4
e	0.026 BSC		0.65 BSC		-
E	0.246	0.256	6.25	6.50	-
L	0.0177	0.0295	0.45	0.75	6
N	20		20		7
$\alpha$	0°	8°	0°	8°	-

#### NOTES:

- These package dimensions are within allowable dimensions of JEDEC MO-153-AC, Issue E.
- Dimensioning and tolerancing per ANSI Y14.5M-1982.
- Dimension "D" does not include mold flash, protrusions or gate burrs. Mold flash, protrusion and gate burrs shall not exceed 0.15mm (0.006 inch) per side.
- Dimension "E1" does not include interlead flash or protrusions. Interlead flash and protrusions shall not exceed 0.15mm (0.006 inch) per side.
- The chamfer on the body is optional. If it is not present, a visual index feature must be located within the crosshatched area.
- "L" is the length of terminal for soldering to a substrate.
- "N" is the number of terminal positions.
- Terminal numbers are shown for reference only.
- Dimension "b" does not include dambar protrusion. Allowable dambar protrusion shall be 0.08mm (0.003 inch) total in excess of "b" dimension at maximum material condition. Minimum space between protrusion and adjacent lead is 0.07mm (0.0027 inch).
- Controlling dimension: MILLIMETER. Converted inch dimensions are not necessarily exact. (Angles in degrees)

Rev. 1 6/98

All Intersil U.S. products are manufactured, assembled and tested utilizing ISO9000 quality systems.  
Intersil Corporation's quality certifications can be viewed at [www.intersil.com/design/quality](http://www.intersil.com/design/quality)

*Intersil products are sold by description only. Intersil Corporation reserves the right to make changes in circuit design, software and/or specifications at any time without notice. Accordingly, the reader is cautioned to verify that data sheets are current before placing orders. Information furnished by Intersil is believed to be accurate and reliable. However, no responsibility is assumed by Intersil or its subsidiaries for its use; nor for any infringements of patents or other rights of third parties which may result from its use. No license is granted by implication or otherwise under any patent or patent rights of Intersil or its subsidiaries.*

For information regarding Intersil Corporation and its products, see [www.intersil.com](http://www.intersil.com)