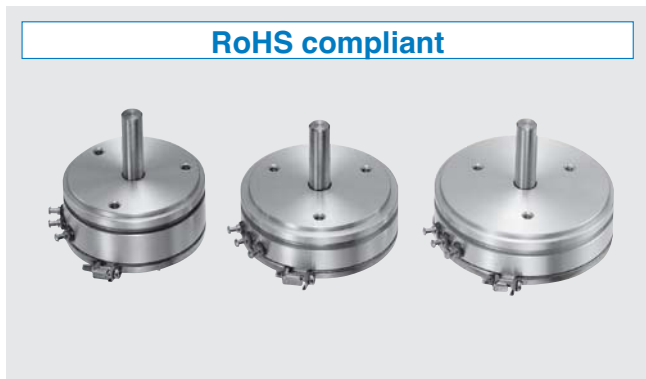


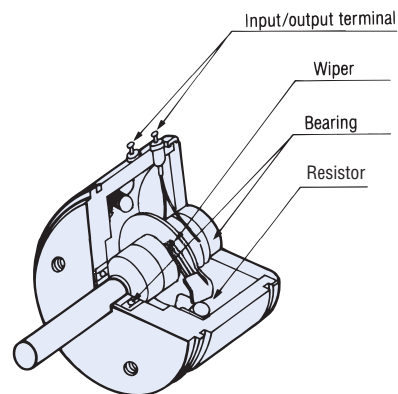
WIREWOUND SINGLE TURN TYPE

J series

RoHS compliant



Basic construction Wirewound single turn type



FEATURES

- High linearity through precision wire winding
- Long life
- High following characteristics
- Low noise
- RoHS compliant

PART NUMBER DESIGNATION

	J 50 S		500	
Series name				Nominal resistance value (Ω)
J40S				500, 1 k, 2 k, 5 k, 10 k, 20 k, 50 k
J45S				
J50S				

LIST OF PART NUMBERS

Size \ Item	Nominal resistance value	Part number
φ 40 mm	500 Ω	J40S 500
	1 kΩ	J40S 1 k
	2 kΩ	J40S 2 k
	5 kΩ	J40S 5 k
	10 kΩ	J40S 10 k
φ 44.45 mm	500 Ω	J45S 500
	1 kΩ	J45S 1 k
	2 kΩ	J45S 2 k
	5 kΩ	J45S 5 k
	10 kΩ	J45S 10 k
	20 kΩ	J45S 20 k
φ 50.8 mm	50 kΩ	J45S 50 k
	500 Ω	J50S 500
	1 kΩ	J50S 1 k
	2 kΩ	J50S 2 k
	5 kΩ	J50S 5 k
	10 kΩ	J50S 10 k
	20 kΩ	J50S 20 k
50 kΩ	J50S 50 k	

※ Verify the above part numbers when placing orders.

STANDARD SPECIFICATIONS

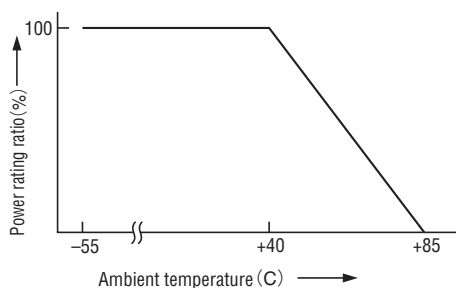
Item \ Part number	J40S	J45S	J50S
Resistance tolerance %	± 5		
Effective electrical angle	350° ± 1.5°	353° ± 1.5°	355° ± 1.5°
Mechanical angle	360° continuous		
Power rating (at 40 °C) W	1	1.3	1.5
Dielectric strength Vrms	1000 1 min		
Insulation resistance MΩ minimum	1000 (at DC500 V)		
Rotational torque mN·m {gf·cm} maximum	0.59 {6}		0.69 {7}
Peak noise Ω maximum	10 (4 min ⁻¹)		
Temp. coefficient of resistance ppm/°C	± 50		
Operating temp. range °C	-55 ~ 85		
Maximum rotational speed min ⁻¹	100	200	
Net weight g	Approx. 58	Approx. 60	Approx. 73
Connecting accuracy	± 1° Based on No. 1 terminal		
Protection grade	IP40		

J40S/J45S/J50S POTENTIOMETERS

RESISTANCE VALUES, RESOLUTION, INDEPENDENT LINEARITY, ROTATIONAL LIFE

Nominal resistance value (Ω)	Resolution (%)			Independent linearity (%)			Rotational life (million cycles)		
	J40S	J45S	J50S	J40S	J45S	J50S	J40S	J45S	J50S
500	0.13	0.12	0.1	± 0.15	± 0.1	± 0.1	5	10	10
1 k	0.1	0.1	0.08						
2 k	0.08	0.07	0.06						
5 k	0.07	0.08	0.07	—	± 0.15	± 0.15	1	1	1
10 k		0.07	0.05						
20 k	—	0.05	0.05	—	± 0.15	± 0.15	1	1	1
50 k		0.04	0.03						

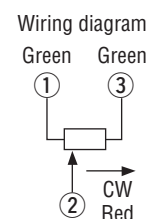
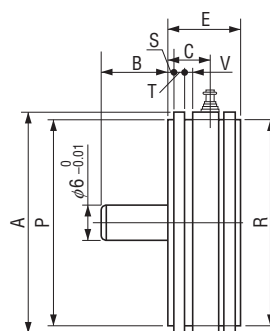
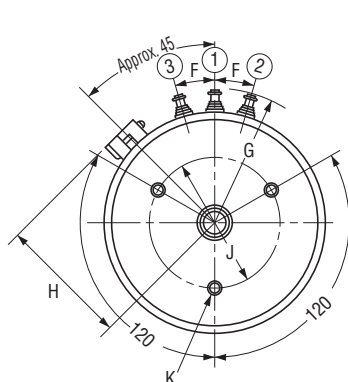
RATED POWER DERATING CURVE



OUTLINE DIMENSIONS

(Unit : mm)

- J40S
- J45S
- J50S



List of outline dimensions

Part number	Marks	A	B	C	E	F	G	H	J	K	P	R	S	T	V		
J40S	$\phi 40$	20	13.3	20	16°	R25	25	$\phi 30$	M 3 (P = 0.5) D = 3.0 minimum	$\phi 37_{-0.03}^0$	$\phi 37$	1.57	2.36	1.86			
J45S	$\phi 44.45$					14°	R26.8								26.7	$\phi 39.68_{-0.025}^0$	$\phi 40.6$
J50S	$\phi 50.8$					12°	R30								30	$\phi 47.62_{-0.025}^0$	$\phi 47.6$