

TOSHIBA FIELD EFFECT TRANSISTOR SILICON N CHANNEL MOS TYPE ( $\pi$ -MOSII.5)

# 2SK1858

HIGH SPEED, HIGH CURRENT SWITCHING APPLICATIONS.

CHOPPER REGULATOR, DC-DC CONVERTER AND MOTOR DRIVE APPLICATIONS.

- Low Drain-Source ON Resistance :  $R_{DS(ON)}=4.3\Omega$  (Typ.)
- High Forward Transfer Admittance :  $|Y_{fs}|=1.7S$  (Typ.)
- Low Leakage Current :  $I_{DSS}=100\mu A$  (Max.) ( $V_{DS}=640V$ )
- Enhancement-Mode :  $V_{th}=1.5\sim 3.5V$   
( $V_{DS}=10V, I_D=1mA$ )

**MAXIMUM RATINGS ( $T_a = 25^\circ C$ )**

CHARACTERISTIC		SYMBOL	RATING	UNIT
Drain-Source Voltage		$V_{DSS}$	800	V
Drain-Gate Voltage ( $R_{GS}=20k\Omega$ )		$V_{DGR}$	800	V
Gate-Source Voltage		$V_{GSS}$	$\pm 30$	V
Drain Current	DC	$I_D$	3	A
	Pulse	$I_{DP}$	9	
Drain Power Dissipation ( $T_c=25^\circ C$ )		$P_D$	60	W
Channel Temperature		$T_{ch}$	150	$^\circ C$
Storage Temperature Range		$T_{stg}$	$-55\sim 150$	$^\circ C$

**THERMAL CHARACTERISTICS**

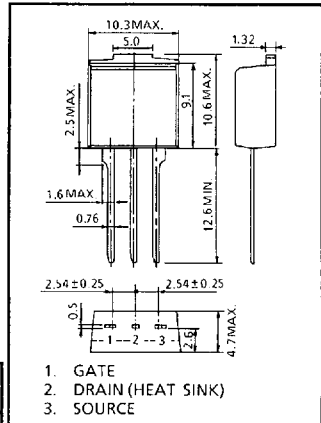
CHARACTERISTIC	SYMBOL	MAX.	UNIT
Thermal Resistance, Channel to Case	$R_{th(ch-c)}$	2.08	$^\circ C / W$
Thermal Resistance, Channel to Ambient	$R_{th(ch-a)}$	83.3	$^\circ C / W$

THIS TRANSISTOR IS AN ELECTROSTATIC SENSITIVE DEVICE.  
PLEASE HANDLE WITH CAUTION.

**INDUSTRIAL APPLICATIONS**

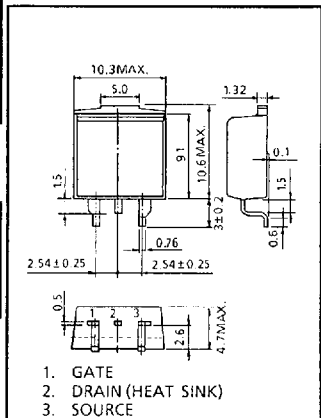
TO-220FL

Unit in mm



JEDEC	—
EIAJ	—
TOSHIBA	2-10S1B

TO-220SM



JEDEC	—
EIAJ	—
TOSHIBA	2-10S2B

Weight : 1.5g

961001EAA2

- TOSHIBA is continually working to improve the quality and the reliability of its products. Nevertheless, semiconductor devices in general can malfunction or fail due to their inherent electrical sensitivity and vulnerability to physical stress. It is the responsibility of the buyer, when utilizing TOSHIBA products, to observe standards of safety, and to avoid situations in which a malfunction or failure of a TOSHIBA product could cause loss of human life, bodily injury or damage to property. In developing your designs, please ensure that TOSHIBA products are used within specified operating ranges as set forth in the most recent products specifications. Also, please keep in mind the precautions and conditions set forth in the TOSHIBA Semiconductor Reliability Handbook.
- The information contained herein is presented only as a guide for the applications of our products. No responsibility is assumed by TOSHIBA CORPORATION for any infringements of intellectual property or other rights of the third parties which may result from its use. No license is granted by implication or otherwise under any intellectual property or other rights of TOSHIBA CORPORATION or others.
- The information contained herein is subject to change without notice.

ELECTRICAL CHARACTERISTICS (Ta = 25°C)

CHARACTERISTIC		SYMBOL	TEST CONDITION	MIN.	TYP.	MAX.	UNIT
Gate Leakage Current		$I_{GSS}$	$V_{GS} = \pm 25V, V_{DS} = 0V$	—	—	$\pm 100$	nA
Drain Cut-off Current		$I_{DSS}$	$V_{DS} = 640V, V_{GS} = 0V$	—	—	100	$\mu A$
Drain-Source Breakdown Voltage		$V_{(BR)DSS}$	$I_D = 10mA, V_{GS} = 0V$	800	—	—	V
Gate Threshold Voltage		$V_{th}$	$V_{DS} = 10V, I_D = 1mA$	1.5	—	3.5	V
Drain-Source ON Resistance		$R_{DS(ON)}$	$I_D = 1.5A, V_{GS} = 10V$	—	4.3	5.0	$\Omega$
Forward Transfer Admittance		$ Y_{fs} $	$V_{DS} = 20V, I_D = 1.5A$	1.0	1.7	—	S
Input Capacitance		$C_{iss}$	$V_{DS} = 25V, V_{GS} = 0V,$ $f = 1MHz$	—	360	—	pF
Reverse Transfer Capacitance		$C_{rss}$		—	30	—	
Output Capacitance		$C_{oss}$		—	60	—	
Switching Time	Rise Time	$t_r$	<p><math>I_D = 1.5A</math> <math>V_{GS} = 10V</math> <math>0V</math> <math>50\Omega</math> <math>V_{OUT}</math> <math>R_L = 267\Omega</math> <math>V_{DD} \approx 400V</math></p>	—	25	—	ns
	Turn-on Time	$t_{on}$		—	40	—	
	Fall Time	$t_f$		—	40	—	
	Turn-off Time	$t_{off}$		$V_{IN} : t_r, t_f < 5ns,$ $Duty \leq 1\%, t_w = 10\mu s$	—	150	
Total Gate Charge (Gate-Source Plus Gate-Drain)		$Q_g$	$V_{DD} \approx 400V, V_{GS} = 10V,$ $I_D = 3A$	—	26	—	nC
Gate-Source Charge		$Q_{gs}$		—	16	—	
Gate-Drain ("Miller") Charge		$Q_{gd}$		—	10	—	

SOURCE-DRAIN DIODE RATINGS AND CHARACTERISTICS (Ta = 25°C)

CHARACTERISTIC	SYMBOL	TEST CONDITION	MIN.	TYP.	MAX.	UNIT
Continuous Drain Reverse Current	$I_{DR}$	—	—	—	3	A
Pulse Drain Reverse Current	$I_{DRP}$	—	—	—	9	A
Diode Forward Voltage	$V_{DSF}$	$I_{DR} = 3A, V_{GS} = 0V$	—	—	-2.0	V
Reverse Recovery Time	$t_{rr}$	$I_{DR} = 3A, V_{GS} = 0V$	—	600	—	ns
Reverse Recovered Charge	$Q_{rr}$	$dI_{DR} / dt = 100A / \mu s$	—	12	—	$\mu C$

