

# Interface Connectors for Cellular Telephone KB-H03

## FEATURES

1. This plug is an adaptor commonly used in cell phones (cdmaOne).
2. This is a small plug and is sold separately.
3. Convex mark is inscribed at the opposite side of the plug lock lever claw. (This mark is provided for a visually handicapped person.)



## HOW TO ORDER

1. **H03-004-**

1            2            3

(Plug and cable assembly)

1. Series No. (H03)
2. No. of contacts (004 : 4pins)
3. Running No. assigned by us

### 2. Parts sold separately.

1. Plug-Housing Ass'y (4 pins, and common key type)  
KB-H03-8874A
2. Top Case  
H03 Top Case  
ZM-H03-8746A
3. Bottom Case  
H03 Bottom Case  
ZM-H02-8747A
4. Tapping screw  
ZK-E15-1778C

## SPECIFICATIONS

### ELECTRICAL CHARACTERISTICS

Rated Voltage	DC 100V/AC 100V
Rated Current	DC 0.5A
Withstanding Voltage	250V AC (rms) 1minute
Insulation Resistance	1,000MΩ min. (at 250V DC)
Contact Resistance	50mΩ max.

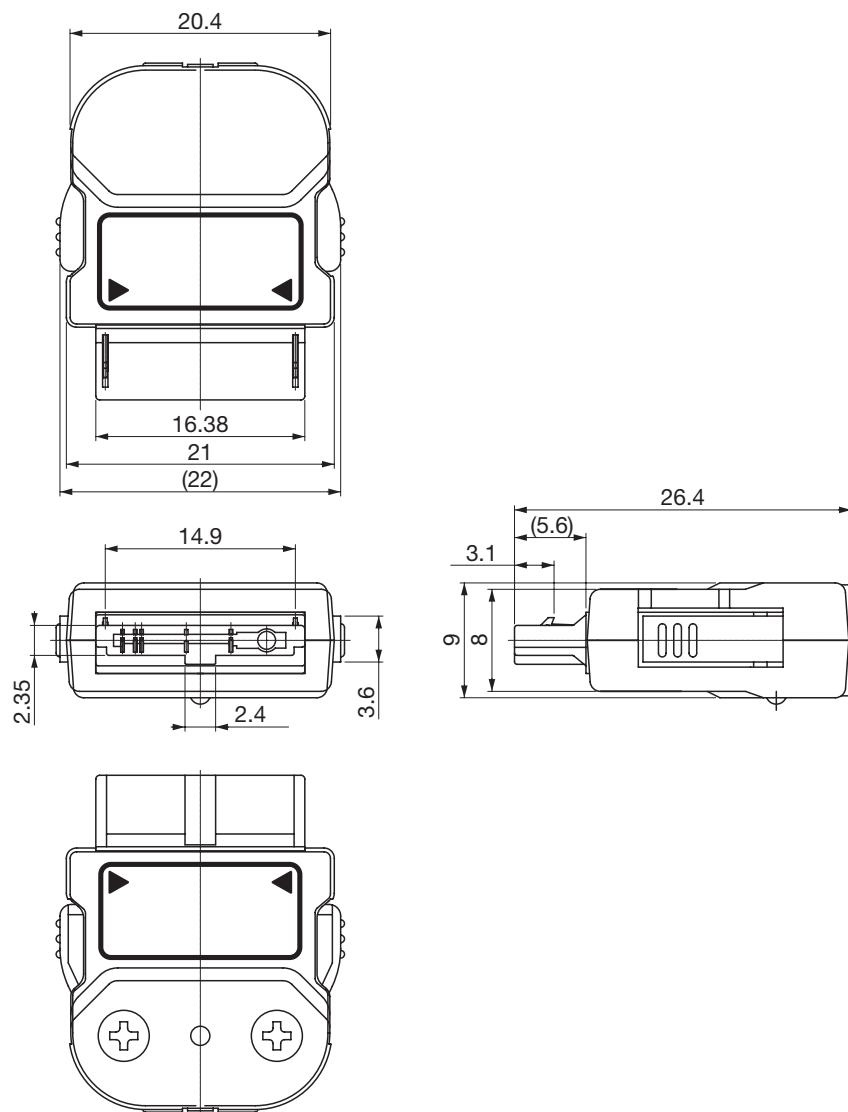
### MECHANICAL CHARACTERISTICS

Life (Matching Cycle)	10,000 times
Lock Strength	68.6N (7kgf) min.
Using Temperature Range	-30~+80°C

## MATERIAL & FINISH

Component Parts	Material	Finish
Plug Housing	Nylon 46	(Black)
Contact	Copper Alloy	Gold plating
Lock Lever	SUS	-
Top · Bottom Case	Polycarbonate	(Black)
Tapping screw	Steal	(Black)

## DIMENSIONS



Unit : mm