

65 KB

Pluggable screw terminal blocks on socket boards, pitch 5.0 mm



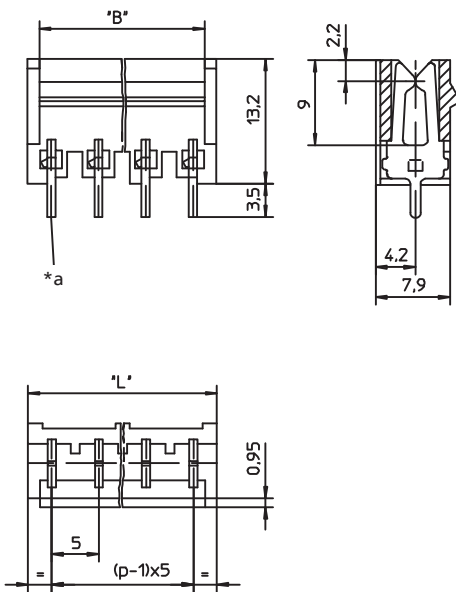
Socket board, upright, solder pins single row, consecutive placement without loss of pitch

Approvals:



65

KB



*a bore hole of printed circuit board \varnothing 1.3 mm

Environmental conditions

Temperature range $-25\text{ }^{\circ}\text{C}/+100\text{ }^{\circ}\text{C}$

Materials

Insulating body PA, V-2 according to UL94
Contact spring CuSn, pre-nickel and tin-plated

Mechanical data

Insertion force/contact $\leq 2,5\text{ N}$
Withdrawal force/contact $\geq 1,5\text{ N}$

Electrical data (at $T_{\text{amb}} 20\text{ }^{\circ}\text{C}$)

Rated current 10 A
Rated voltage 250 V AC
Rated impulse voltage 3 kV/60 s
Tracking resistance CTI 600
Creepage distance $\geq 4,0\text{ mm}$
Clearance $\geq 4,0\text{ mm}$

Associated products

Counterparts

 KS

 KSC

65

KB

Designation	Pole Number	PU (Pieces)	MDQ (Pieces)	Dimensions	
				B (mm)	L (mm)
KB 02	2	200	2000	7.5	10
KB 03	3	200	2000	12.5	15
KB 04	4	200	2000	17.5	20
KB 05	5	200	2000	22.5	25
KB 06	6	200	2000	27.5	30
KB 07	7	200	2000	32.5	35
KB 08	8	200	2000	37.5	40
KB 09	9	200	2000	42.5	45
KB 10	10	200	2000	47.5	50

Packaging:

in bulk, in a cardboard box