

KBPC10, 15, 25, 35 ...

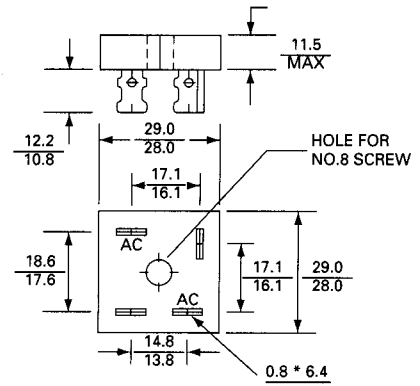
10A / 15A / 25A / 35A SINGLE - PHASE SILICON BRIDGE

Features

- Surge overload 200 - 400 Amperes peak
- Low forward voltage drop
- Mounting Position: Any
- Electrically isolated base-180 Volts
- Solderable .25" FASTON terminals
- Materials used carries U/L recognition

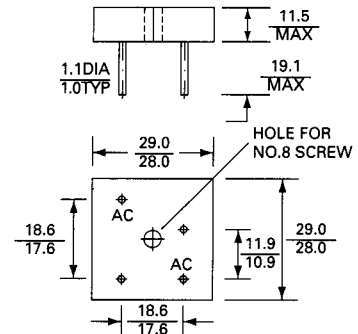
TERMINALS /
METAL

LEAD / METAL



TERMINALS /
PLASTIC

LEAD / PLASTIC

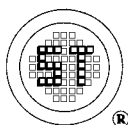


MAXIMUM RATINGS AND ELECTRICAL CHARACTERISTICS

Rating at 25 °C ambient temperature unless otherwise specified. Resistive or inductive load 60Hz
For capacitive load current by 20%.

| Characteristic | Part Number | | | | | | | UNITS |
|---|--------------|----------|----------|----------|----------|----------|----------|------------------|
| | KBPC10005 | KBPC1001 | KBPC1002 | KBPC1004 | KBPC1006 | KBPC1008 | KBPC1010 | |
| Maximum Recurrent Peak Reverse Voltage | 50 | 100 | 200 | 400 | 600 | 800 | 1000 | V |
| Max RMS Bridge Input Voltage | 35 | 70 | 140 | 280 | 420 | 560 | 700 | V |
| Maximum Average Forward Rectified Output Current at $T_A = 55^\circ\text{C}$ | 10 | | 15 | | 25 | | 35 | A |
| Peak Forward Surge Current, 8.3 ms single half sine-wave superimposed on rated load | 200 | | 300 | | 300 | | 400 | A |
| Maximum Forward Voltage Drop per element At 5.0/7.5/12.5/17.5A Peak | 1.2 | | | | | | | V |
| Maximum Reverse Current at Rated DC Blocking Voltage per element $T_A = 25^\circ\text{C}$ | 1.0 | | | | | | | μA |
| Operating Temperature Range T_C | -55 to + 125 | | | | | | | $^\circ\text{C}$ |
| Storage Temperature Range T_A | -55 to + 150 | | | | | | | $^\circ\text{C}$ |

NOTE: Also available on KBPC 10W/15W/25W/35W series.



SEMTECH ELECTRONICS LTD.

(wholly owned subsidiary of HONEY TECHNOLOGY LTD.)



KBPC10, 15, 25, 35 ... 10A / 15A / 25A / 35A SINGLE - PHASE SILICON BRIDGE

RATING AND CHARACTERISTICS CURVES

KBPC10/15/25/35 SERIES

FIG. 1-MAXIMUM FORWARD SURGE CURRENT

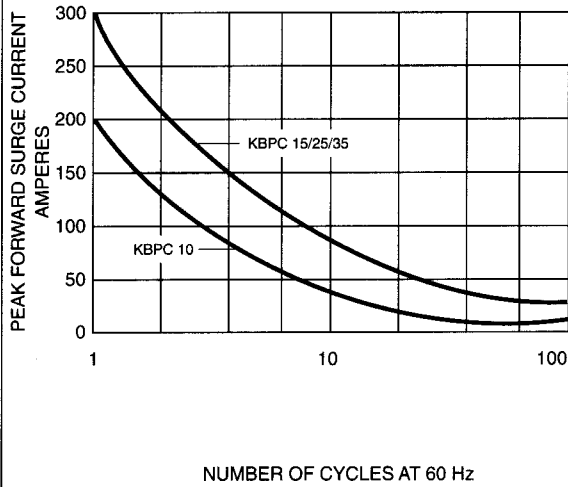


FIG. 2-DERATING CURVE FOR
OUTPUT RECTIFIED CURRENT

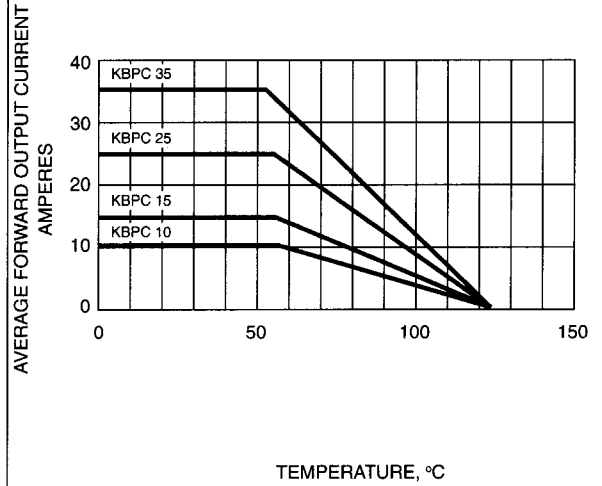


FIG. 3-TYPICAL FORWARD
CHARACTERISTICS

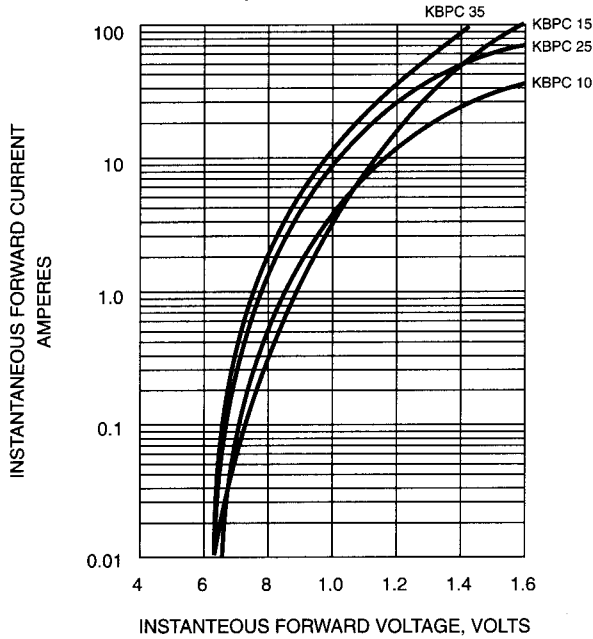
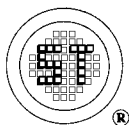
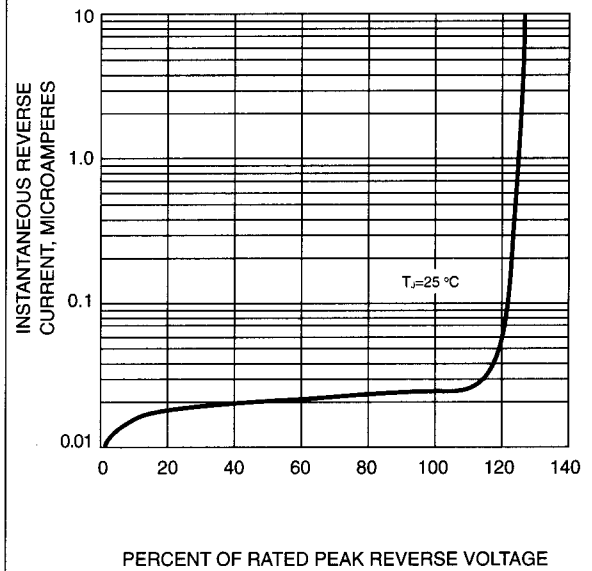


FIG. 4-TYPICAL REVERSE
CHARACTERISTICS



SEMTECH ELECTRONICS LTD.

(wholly owned subsidiary of HONEY TECHNOLOGY LTD.)

