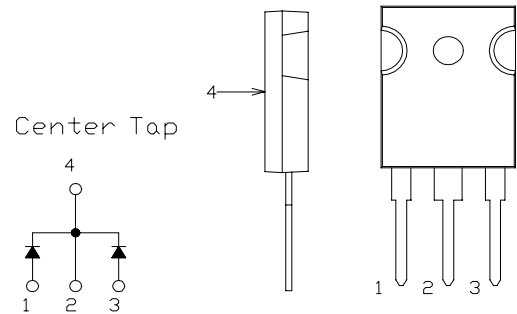


# FRD Type : KCF25A40

## OUTLINE DRAWING

### FEATURES

- \* Similar to TO-247AC (TO-3P) Case
- \* Dual Diodes – Cathode Common
- \* Ultra – Fast Recovery
- \* Low Forward Voltage Drop
- \* High Surge Capability
- \* 200 Volts thru 400 Volts Types Available



### Maximum Ratings

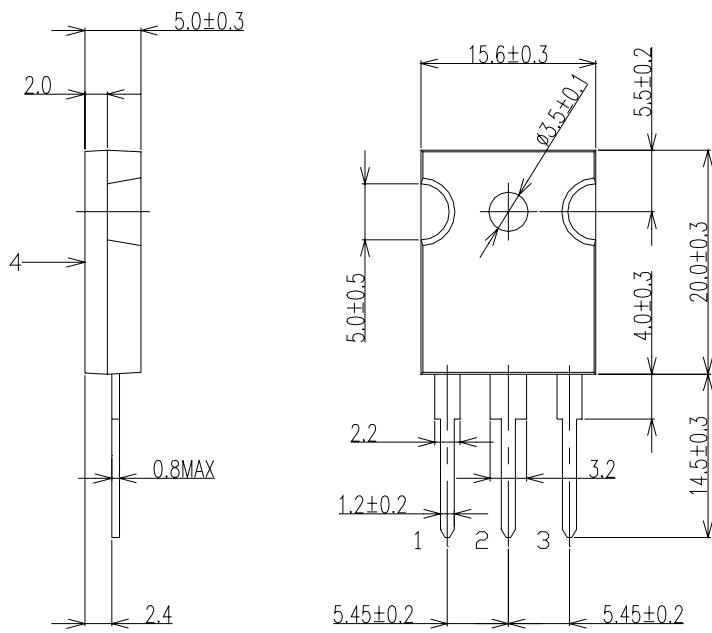
Approx Net Weight:5.55g

Rating	Symbol	KCF25A40		Unit
Repetitive Peak Reverse Voltage	$V_{RRM}$	400		V
Non-repetitive Peak Reverse Voltage	$V_{RSM}$	440		V
Average Rectified Output Current	$I_O$	25	$T_c=85^\circ\text{C}$ 50 Hz, Full Sine Wave Resistive Load	A
RMS Forward Current	$I_{F(RMS)}$	28		A
Surge Forward Current	$I_{FSM}$	150	50 Hz Full Sine Wave, 1 cycle Non-repetitive	A
Operating Junction Temperature Range	$T_{jw}$	- 40 to + 150		$^\circ\text{C}$
Storage Temperature Range	$T_{stg}$	- 40 to + 150		$^\circ\text{C}$
Mounting torque		0.5	Recommended value	N·m

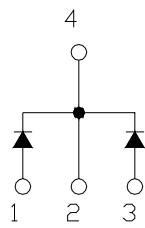
### Electrical • Thermal Characteristics

Characteristics	Symbol	Conditions	Min.	Typ.	Max.	Unit
Peak Reverse Current	$I_{RM}$	$T_j=25^\circ\text{C}$ , $V_{RM}=V_{RRM}$ per Arm	-	-	50	$\mu\text{A}$
Peak Forward Voltage	$V_{FM}$	$T_j=25^\circ\text{C}$ , $I_{FM}=12.5\text{A}$ per Arm	-	-	1.25	V
Reverse Recovery Time	$t_{rr}$	$I_{FM}=10\text{A}$ , $-di/dt= 50\text{A}/\mu\text{s}$ , $T_a= 25^\circ\text{C}$	-	-	50	ns
Thermal Resistance	$R_{th(j-c)}$	Junction to Case	-	-	2	$^\circ\text{C}/\text{W}$

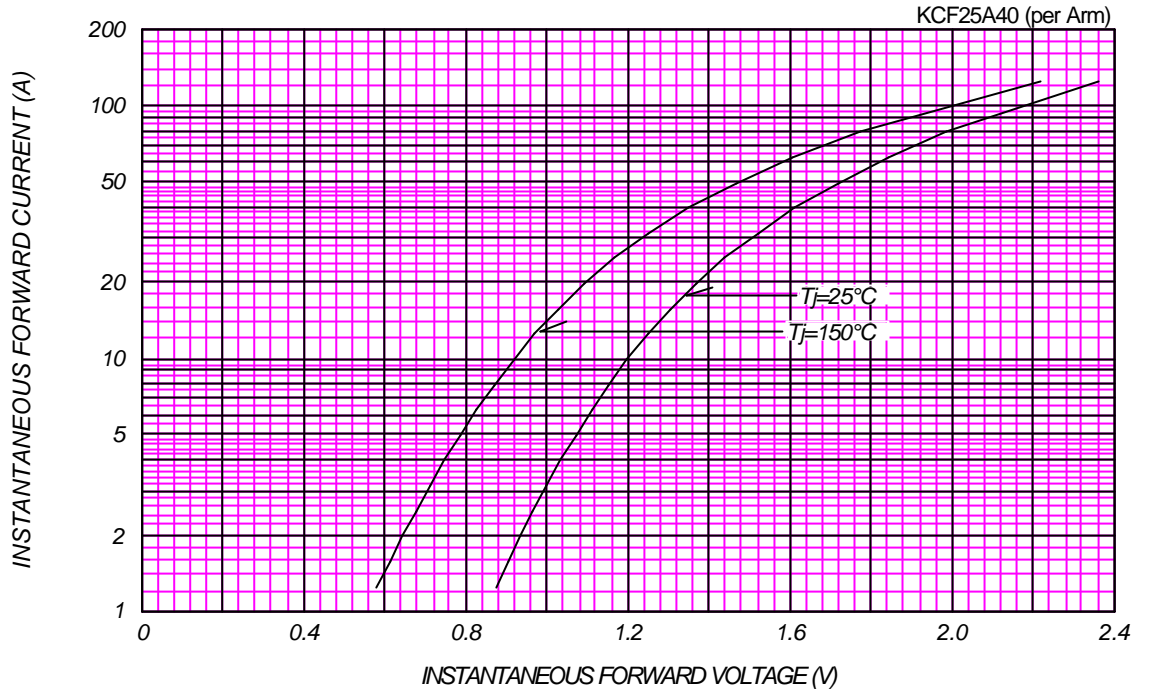
KCF25A40 OUTLINE DRAWING (Dimensions in mm)



Center Tap



### FORWARD CURRENT VS. VOLTAGE



### AVERAGE FORWARD POWER DISSIPATION

