

7 CIRCUIT DARLINGTON TRANSISTOR ARRAY

FEATURES

- Output Current : 500mA Max.
- High Sustaining Voltage Outputs : 50V Min.
- Output Clamp Diodes.
- Inputs Compatible With Various Types of Logic.
- PKG Type AP : DIP-16Pin, DIP-16Pin(1) AF : FLP-16Pin

TYPE	INPUT RESISTOR	DESIGNATION
KID65001AP/AF	No (External)	General Purpose
KID65002AP/AF	Zener Diode 7V+10.5k	14 25V P-MOS
KID65003AP/AF	2.7k	TTL, 5V C-MOS
KID65004AP/AF	10.5k	6 15V P-MOS, C-MOS

DESCRIPTION:

The KID65001AP/AF Series are high-voltage, high-current darlington transistor array comprised of seven NPN darlington pairs. All units feature internal clamp diodes for switching inductive loads.

MAXIMUM RATINGS (Ta=25 , unless otherwise noted)

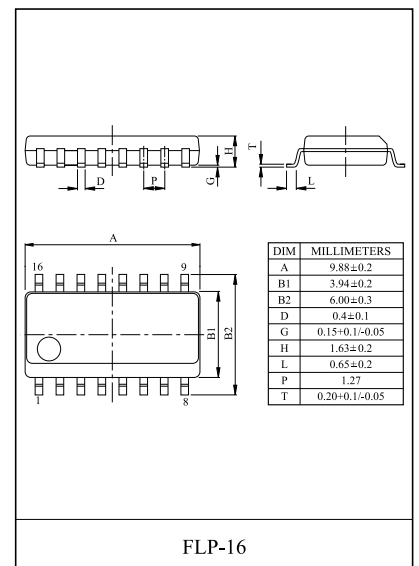
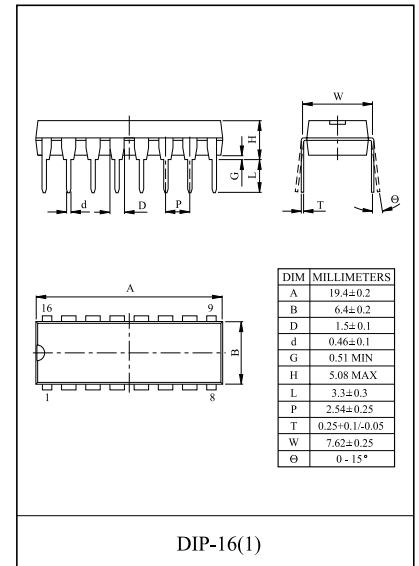
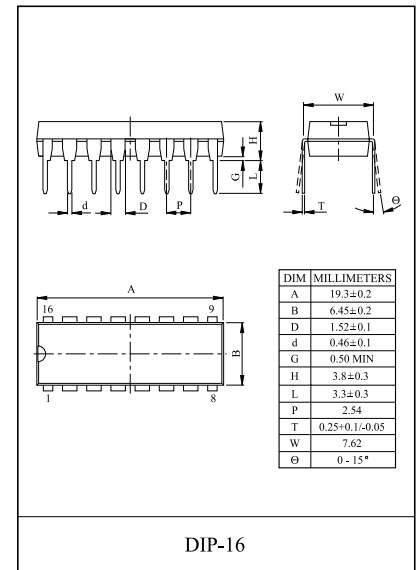
CHARACTERISTIC		SYMBOL	RATING	UNIT
Output Sustaining Voltage		$V_{CE(SUS)}$	50	V
Output Current		I_{OUT}	500	mA/ch
Input Voltage		$I_{IN}^{1)}$	-0.5 +30	V
Input Current		$I_{IN}^{2)}$	25	mA
Clamp Diode	Reverse Voltage	V_R	50	V
	Forward Current	I_F	500	mA
GND Terminal Current		I_{GND}	2.8	A
Power Dissipation	AP	P_D	1.47	W
	AF		0.54 / 0.63 ³⁾ / 1.25 ⁴⁾	W
Operating Temperature		T_{opr}	-40 85	
Storage Temperature		T_{stg}	-55 150	

1) Except KID65001AP/AF

2) Only KID65001AP/AF

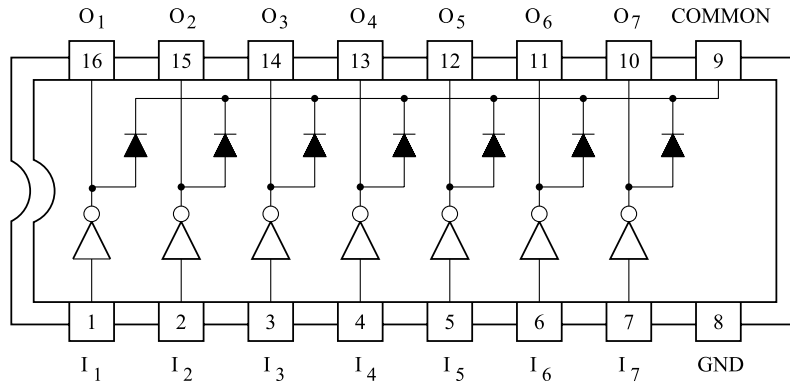
3) On PCB(30 × 30 × 1.6mm, Cu 50%)

4) On PCB (Test Board : JEDEC 2s2p)

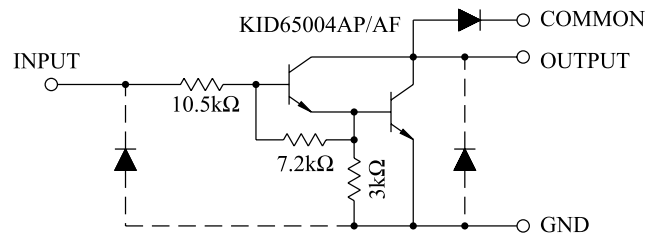
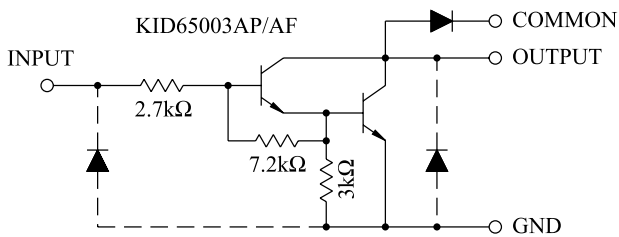
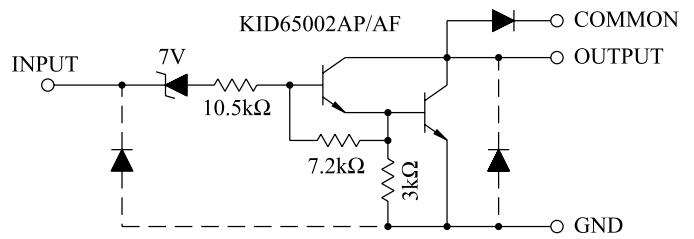
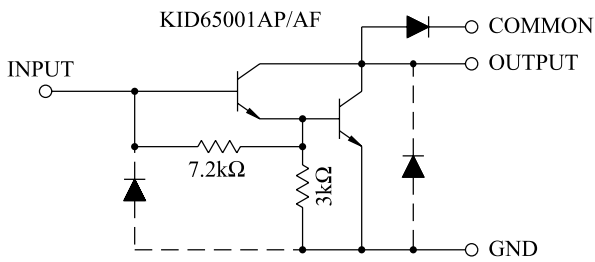


KID65001AP/AF~KID65004AP/AF

PIN CONNECTION (TOP VIEW)



SCHEMATICS (EACH DRIVER)



KID65001AP/AF~KID65004AP/AF

RECOMMENDED OPERATING CONDITIONS (Ta=-40 ~ 85)

CHARACTERISTIC		SYMBOL	CONDITION	MIN.	TYP.	MAX.	UNIT
Output Sustaining Voltage		$V_{CE(SUS)}$	-	0	-	50	V
Output Current	(AP, Ta=85)	I_{OUT}	T _{PW} =25ms, Duty=10%, 7 Circuits	0	-	370	mA
			T _{PW} =25ms, Duty=30%, 7 Circuits	0	-	200	
	(AF, Ta=85)	I_{OUT}	T _{PW} =25ms, Duty=10%, 7 Circuits	-	-	290	mA
			T _{PW} =25ms, Duty=30%, 7 Circuits	-	-	150	
Input Voltage		V_{IN}	Except KID65001AP/AF	0	-	30	V
Input Current		I_{IN}	Only KID65001AP/AF	0	-	5	mA
Clamp Diode Reverse Voltage		V_R	-	-	-	50	V
Clamp Diode Forward Current		I_F	-	-	-	400	mA
Power Dissipation	AP	P_D	Ta=85	-	-	0.76	W
	AF		Ta=85	0.28 / 0.32* / 0.65**			

* On PCB (30 × 30 × 1.6mm, Cu 50%)

** On PCB (Test Board : JEDEC 2s2p)

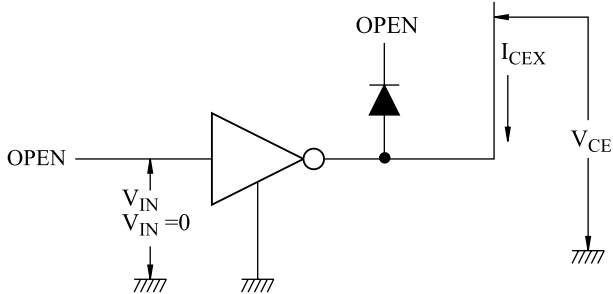
ELECTRICAL CHARACTERISTICS (Ta=25 , unless otherwise noted)

CHARACTERISTICS		SYMBOL	TEST CIRCUIT	TEST CONDITION	MIN.	TYP.	MAX.	UNIT
Output Leak Current	KID65002AP/AF KID65004AP/AF	I_{CEX}	1	$V_{CE}=50V, Ta=25$	-	-	50	μA
				$V_{CE}=50V, Ta=85$	-	-	100	
				$V_{CE}=50V, V_{IN}=6V$	-	-	500	
				$V_{CE}=50V, V_{IN}=1V$	-	-	500	
Collector-Emitter Saturation Voltage		$V_{CE(sat)}$	2	$I_{OUT}=350mA, I_{IN}=500 \mu A$	-	1.3	1.6	V
				$I_{OUT}=200mA, I_{IN}=350 \mu A$	-	1.1	1.3	
				$I_{OUT}=100mA, I_{IN}=250 \mu A$	-	0.9	1.1	
Input Current (Output On)	KID65002AP/AF KID65003AP/AF KID65004AP/AF	$I_{IN(ON)}$	3	$V_{IN}=17V$	-	0.82	1.25	mA
				$V_{IN}=3.85V$	-	0.93	1.35	
				$V_{IN}=5V$	-	0.35	0.5	
				$V_{IN}=12V$	-	1.0	1.45	
Output Current (Output Open)		$I_{IN(OFF)}$	4	$I_{OUT}=500 \mu A, Ta=85$	50	65	-	μA
Input Voltage	KID65002AP/AF KID65003AP/AF KID65004AP/AF	$V_{IN(ON)}$	5	$V_{CE}=2V, I_{OUT}=300mA$	-	-	13	V
				$V_{CE}=2V, I_{OUT}=200mA$	-	-	2.4	
				$V_{CE}=2V, I_{OUT}=250mA$	-	-	2.7	
				$V_{CE}=2V, I_{OUT}=300mA$	-	-	3.0	
				$V_{CE}=2V, I_{OUT}=125mA$	-	-	5.0	
				$V_{CE}=2V, I_{OUT}=200mA$	-	-	6.0	
				$V_{CE}=2V, I_{OUT}=275mA$	-	-	7.0	
	$V_{CE}=2V, I_{OUT}=350mA$	-	-	8.0				
	KID65002AP/AF KID65003AP/AF KID65004AP/AF	$V_{IN(OFF)}$			-	0	-	7.4
					-	0	-	0.7
-					0	-	1.0	
DC Current Transfer Ratio		h_{FE}	2	$V_{CE}=2V, I_{OUT}=350mA$	1000	-	-	
Clamp Diode Reverse Current		I_R	6	$V_R=50V, Ta=25$	-	-	50	μA
				$V_R=50V, Ta=85$	-	-	100	
Clamp Diode Forward Voltage		V_F	7	$I_F=350mA$	-	-	2.0	V
Input Capacitance		C_{IN}	-	-	-	15	-	pF
Turn-ON Delay		t_{ON}	8	$V_{OUT}=50V, R_L=163 \Omega, C_L=15pF$	-	0.1	-	μs
Turn-OFF Delay		t_{OFF}			-	0.2	-	

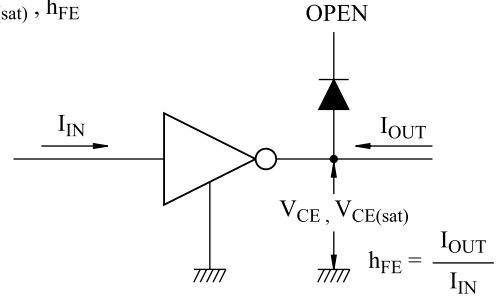
KID65001AP/AF~KID65004AP/AF

TEST CIRCUIT

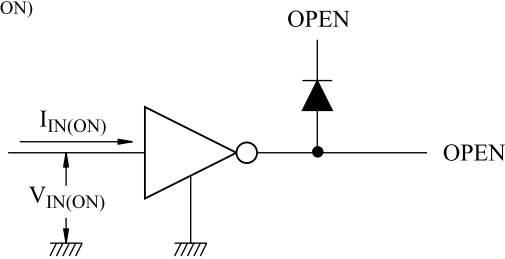
1. I_{CEX}



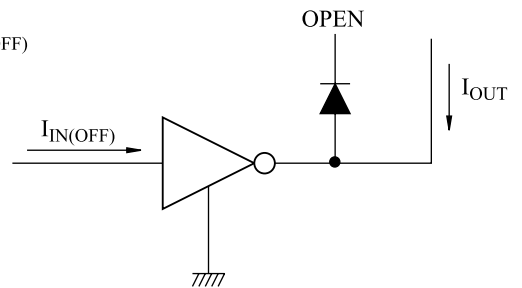
2. $V_{CE(sat)}, h_{FE}$



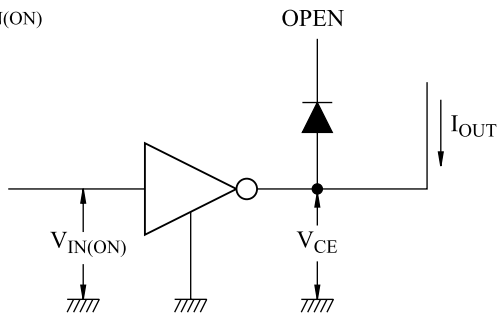
3. $I_{IN(ON)}$



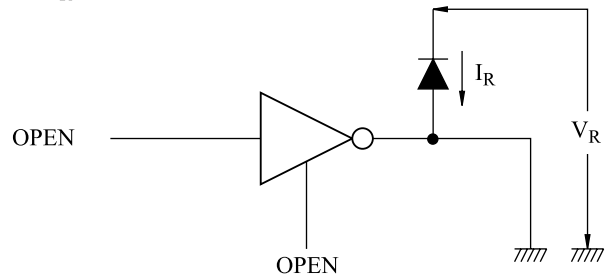
4. $I_{IN(OFF)}$



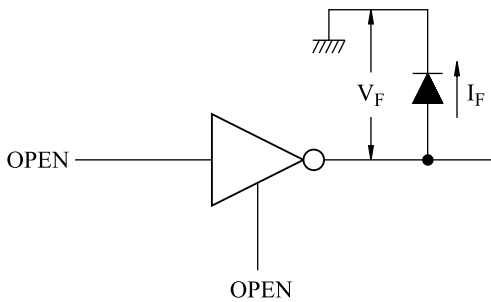
5. $V_{IN(ON)}$



6. I_R

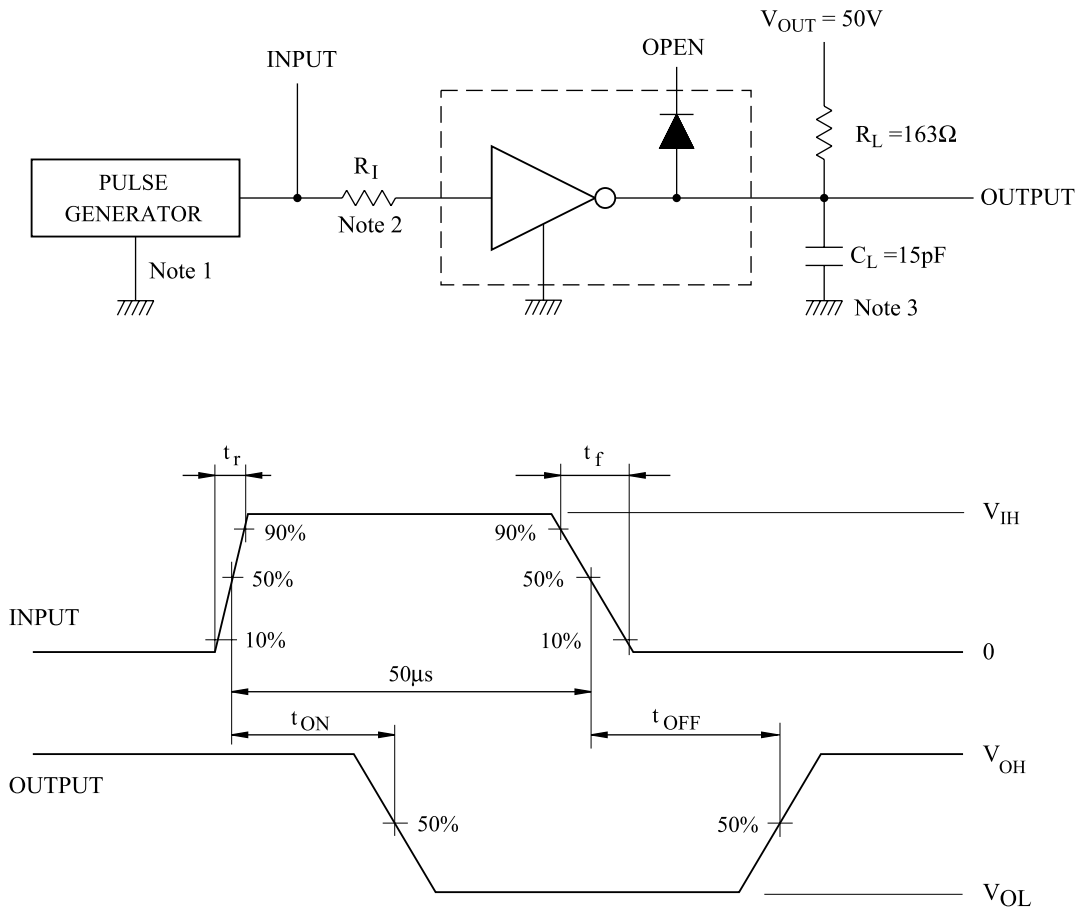


7. V_F



KID65001AP/AF~KID65004AP/AF

8. t_{ON} , t_{OFF}



Notes : 1. Pulse Width 50 μ s, Duty Cycle 10%
Output Impedance 50 Ω , t_r 5ns, t_f 10ns

2. See below

Input Conditions

Type Number	R_I	V_{IH}
KID65001AP/AF	2.7k	3V
KID65002AP/AF	0	13V
KID65003AP/AF	0	3V
KID65004AP/AF	0	8V

3. C_L includes probe and Jig capacitance.

KID65001AP/AF~KID65004AP/AF

Fig. 1 I_{OUT} - DUTY CYCLE

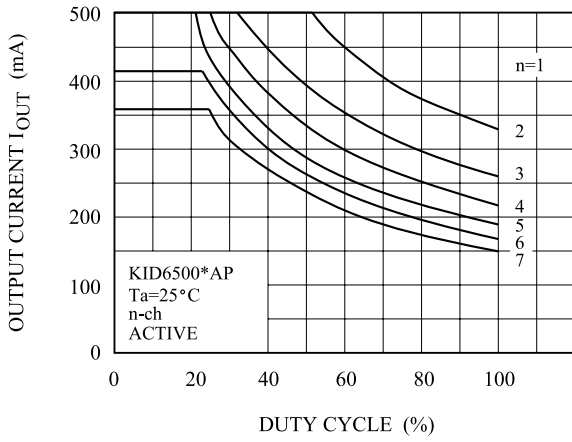


Fig. 2 I_{OUT} - DUTY CYCLE

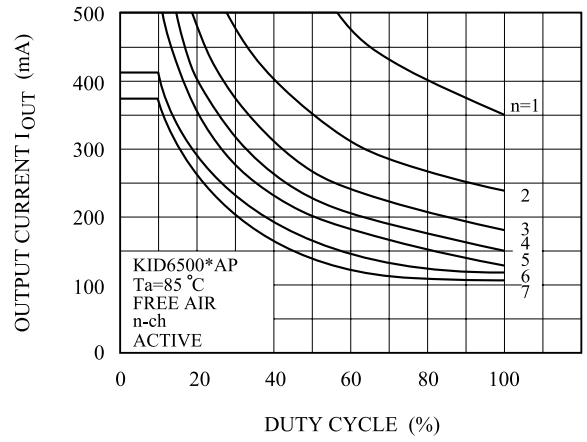


Fig. 3 I_{OUT} - DUTY CYCLE

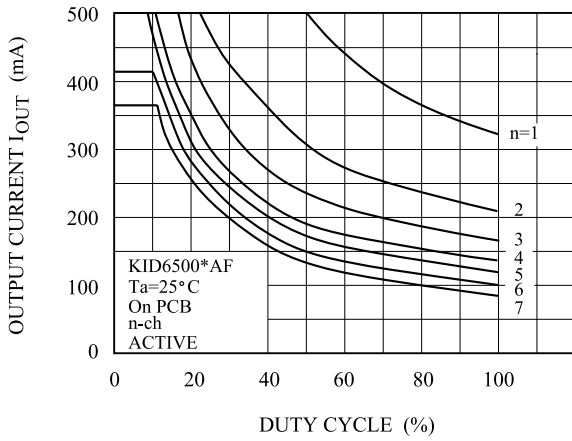


Fig. 4 I_{OUT} - DUTY CYCLE

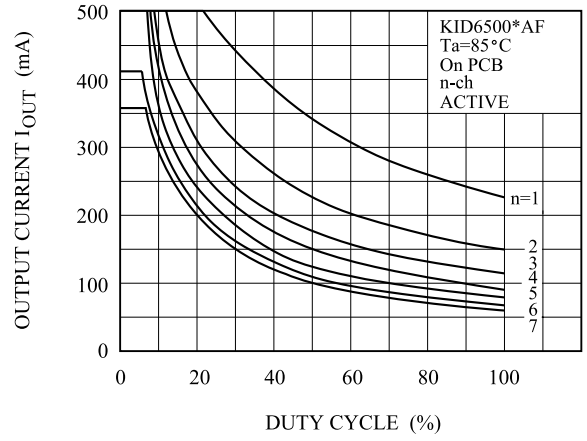


Fig. 5 I_{IN} - V_{IN}

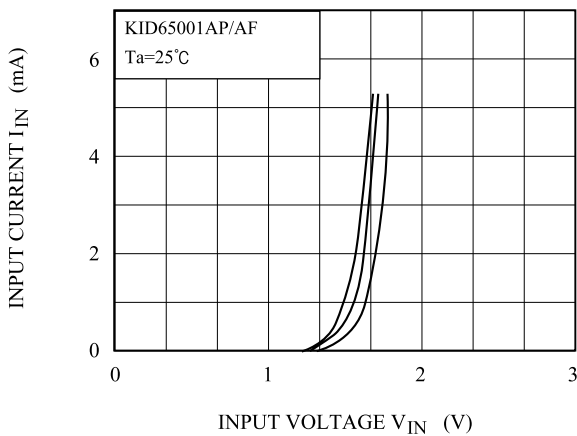
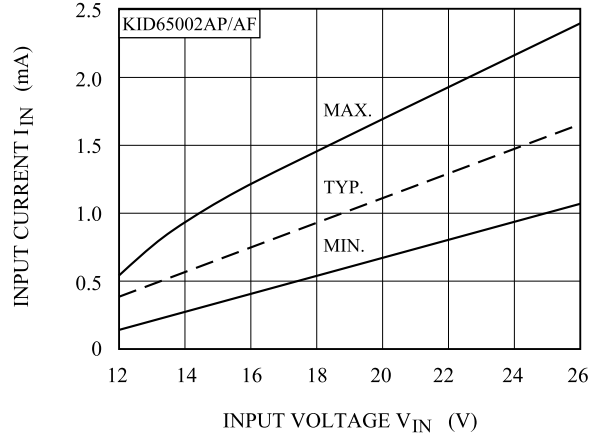


Fig. 6 I_{IN} - V_{IN}



KID65001AP/AF~KID65004AP/AF

Fig. 7 $I_{IN} - V_{IN}$

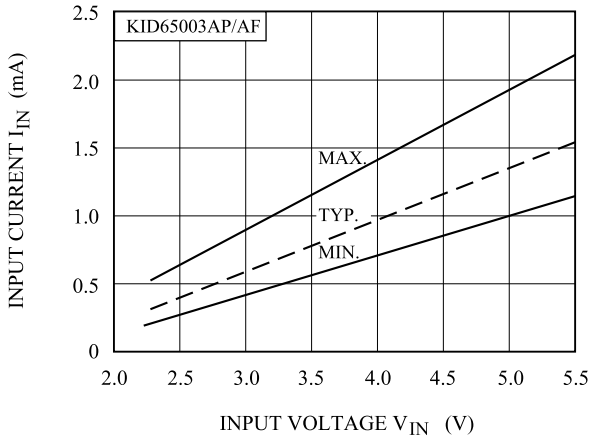


Fig. 8 $I_{IN} - V_{IN}$

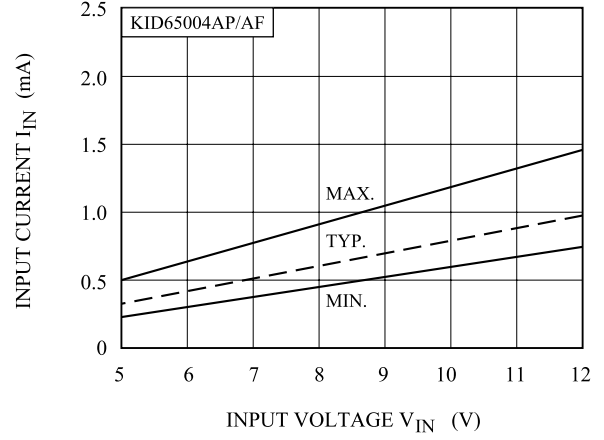


Fig. 9 $I_{OUT} - V_{CE(sat)}$

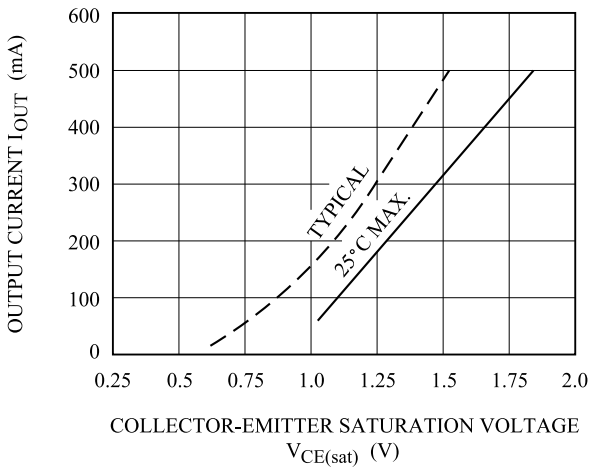


Fig. 10 $h_{FE} - I_{OUT}$

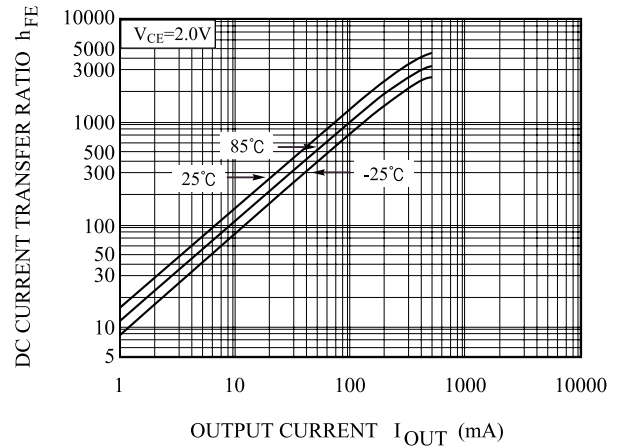


Fig. 11 $I_F - V_F$

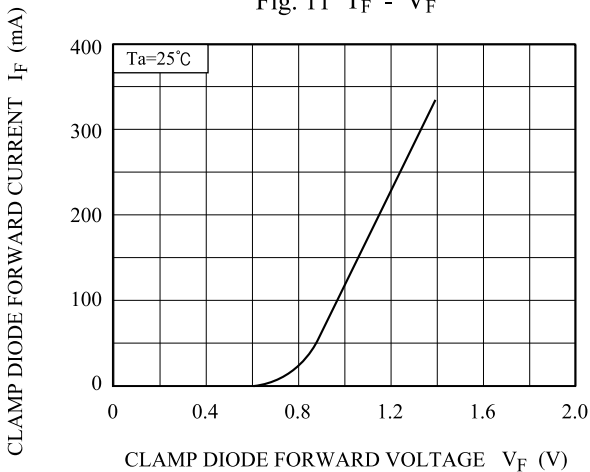


Fig. 12 $P_D - T_a$

