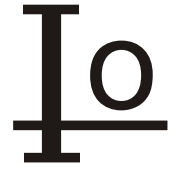


# KMB12F THRU KMB110F



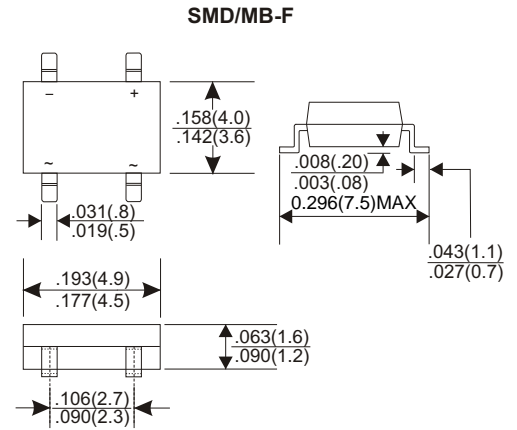
## 1 Amp Surface Mount Schottky Bridge Rectifier

### FEATURES

- Plastic package has underwriters laboratory flammability classification 94V-0
- Saves space on printed circuit boards
- High temperature soldering guaranteed: 260 °C /10 seconds.

### MECHANICAL DATA

- Case: Molded plastic body over passivated junctions
- Terminals: Plated leads solderable per MIL-STD-750, Method 2026
- Marking: Type Number
- Lead Free Finish/RoHS Compliant



### MAXIMUM RATINGS AND ELECTRICAL CHARACTERISTIC

Rating at 25 °C ambient temperature unless otherwise specified.

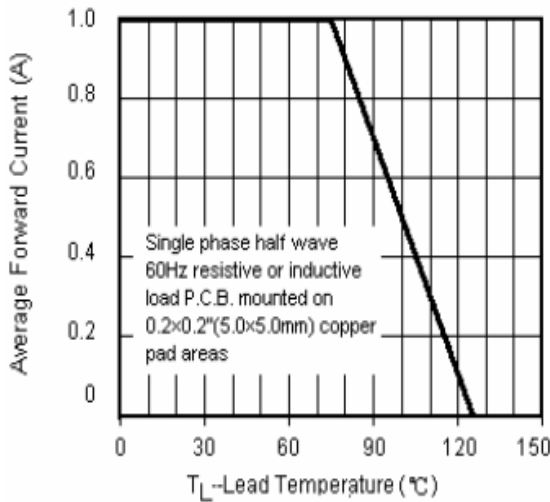
Type Number	Symbol	KMB12F	KMB14F	KMB16F	KMB18F	KMB110F	UNIT
Maximum Recurrent Peak Reverse Voltage	VRRM	20	40	60	80	100	V
Maximum RMS Voltage	VRMS	14	28	42	56	70	V
Maximum DC Blocking Voltage	VDC	20	40	60	80	100	V
Maximum average forward output rectified current	I(AV)	1.0					A
Peak Forward Surge Current, 8.3 ms single half-sine-wave superimposed on rated load (JEDEC method)	IFSM	30					A
Maximum Instantaneous Forward Voltage	VF	0.55		0.70		0.85	V
Maximum DC Reverse Current @ TA=25 at Rated DC Blocking Voltage @ TA=100	IR	0.5 20					mA
Typical Thermal Resistance	RthJA RthJL	88 (2) 28 (2)					/W
Operating and Storage Temperature Range	Tj, TSTG	-55 to +150					°C

Notes: 1. High Temperature Solder Exemption Applied, see EU Directive Annex Notes 7

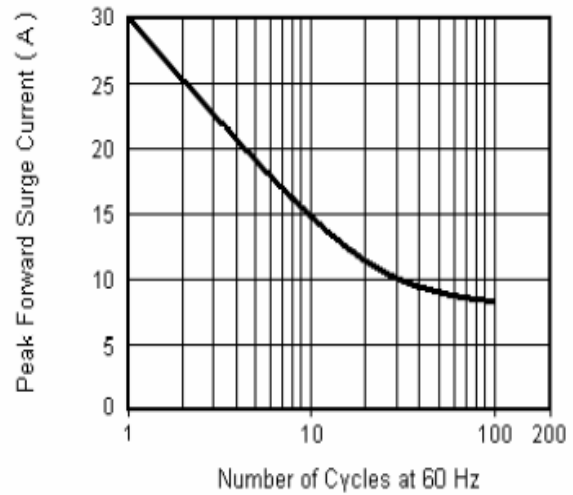
2. High Temperature Solder Exemption Applied, see EU Directive Annex Notes, mounted on 0.2\*0.2"(5.0\*5.0mm) copper pad areas.

# RATING AND CHARACTERISTIC CURVES KMB12F~KMB110F

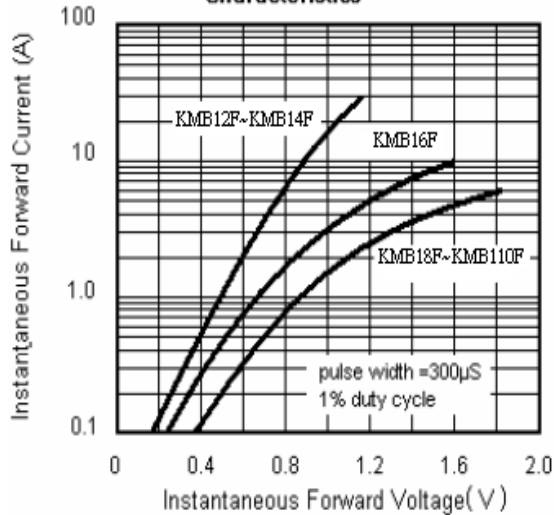
**Fig.1 Forward Current Derating Curve**



**Fig.2 Maximum Non-Repetitive Peak Forward Surge Current**



**Fig.3 Typical Instantaneous Forward Characteristics**



**Fig.4 Typical Junction Capacitance**

