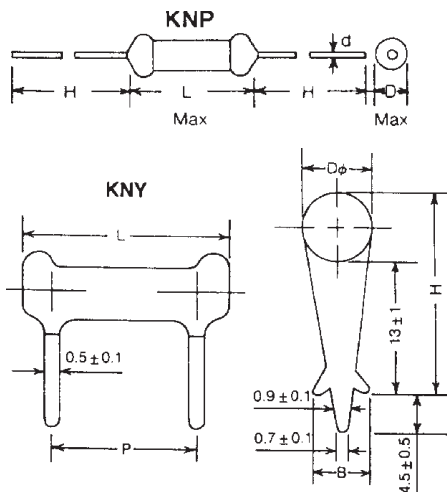
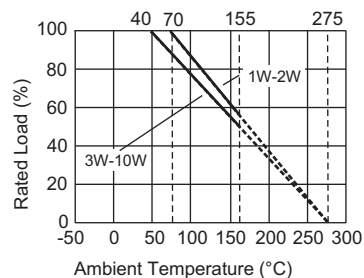


### FEATURES

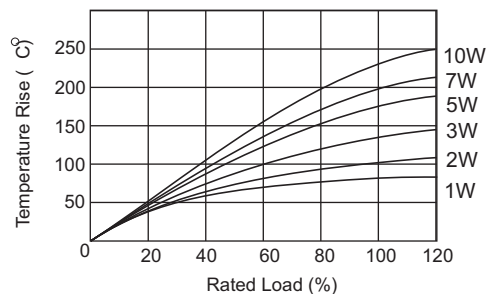
- Excellent heat dissipation, small linear temp. coeff.
- Instant overload capability
- Nonflame, light weight
- Silicon resin coating available
- Non-inductively wound type available
- KNP type is available on tape through 5WS size



### DERATING CURVE



### TEMPERATURE RISE

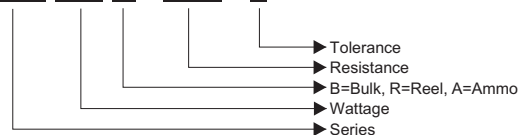


### ELECTRICAL CHARACTERISTICS

Test Items	Condition	Specification
Res. Temp Coeff.	JIS.C.5202.5.2	<20 ±400PPM>20 ±260PPM
Short Time Overload	10X rated wattage for 5 seconds	±2%
Rated Load	Rated wattage for 30min.	±1%
Insulation Resistance	500V megger	1,000M min
Temp. Cycle	-30°C ~ 85°C 5 cycles	±1%
Load Life	70°C on-off cycle 1,000 hrs	±5%
Moister-Proof Load Life	40°C 95% RH on-off cycle 1K hrs	±3%

### PART NUMBER EXAMPLE

**KNP 1W R - 10R - J**



### ELECTRICAL CHARACTERISTICS

Part Number	Dimension (mm)					Resistance Range ( )	Dielectric Voltage(V)	Standard Tape	Standard Packing
	D±0.5	L±1.0	H±3	d±0.05					
KNP1WS	3.5	9	26	0.6		0.1 ~ 47	300	T52	2500
KNP1W	4.5	11.5	35	0.8		0.1 ~ 100	500	T73	2000
KNP2WS	4.5	11.5	35	0.8		0.1 ~ 100	500	T73	2000
KNP2W	5	12	33	0.8		0.1 ~ 330	500	T73	1000
KNP3WS	5	15.5	33	0.8		0.1 ~ 330	500	T73	1000
KNP3W	6	17.5	32	0.8		0.1 ~ 560	500	T73	1000
KNP5WS	6	17.5	32	0.8		0.1 ~ 560	500	T73	1000
KNP5W	8	25	38	0.8		0.1 ~ 1K	1000	T73	1000
KNP7W	8	25	38	0.8		0.1 ~ 1K	1000	Bulk	500
KNP8W	8	30	38	0.8		0.1 ~ 1.5K	1000	Bulk	500
KNP10W	8	53	38	0.8		1 ~ 2K	1000	Bulk	500
<b>KNY</b>	<b>Dmax</b>	<b>L±1.5</b>	<b>H±1</b>	<b>P±0.5</b>	<b>B±0.5</b>				
KNY2W	5.5	16	19	8	4.5	0.1 ~ 50	500	Bulk	500
KNY3W	6.5	16	19	10	4.5	0.1 ~ 200	500	Bulk	500
KNY5W	8.5	24	21.5	15	6	0.5 ~ 560	1000	Bulk	500
KNY7W	8.5	30	21.5	20	6	1 ~ 1K	1000	Bulk	500
KNY10W	8.5	53	21.5	43	6	1 ~ 2K	1000	Bulk	500

\*Special tape to tape size by request