

Description

The KPS1004C photo switch is composed of a modulated infrared emitting diode at the light-emitting side and a modulated photo IC (in which a photo diode, signal processing circuit, constant voltage circuit and modulation circuit are integrated) at the light receiving side.

Features

- Screw mount
- Position pin to prevent mis-alignment
- Short focal distance
- RoHS compliant

Applications

- Printers
- PPC
- Fax

Absolute Maximum Ratings ($T_a=25^{\circ}\text{C}$, Unless otherwise specified)

Characteristic	Symbol	Ratings	Unit
Supply voltage	V_{cc}	-0.5 ~ 5.5	V
Output voltage *1	V_O	5.5	V
Low level output current *2	I_{OL}	30	mA
Power dissipation	P_O	30	mW
Operating temperature *3,*4	T_{opr}	-10 ~ 70	$^{\circ}\text{C}$
Storage Temperature *3,*4	T_{stg}	-20 ~ 80	$^{\circ}\text{C}$

*1 : Voltage between collector and emitter of the output transistor.

*2 : Output transistor collector current.

*3 : No freezing / dewing.

*4 : Connect/Disconnect connectors at ambient temperature.

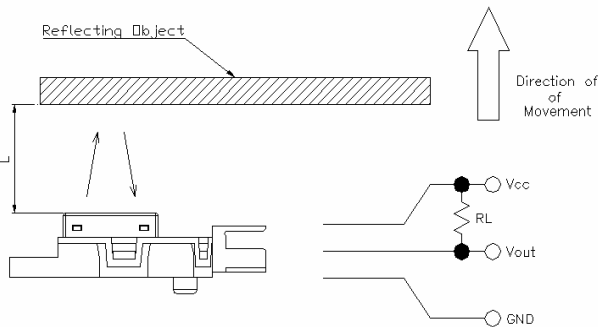
The contents of this data sheet are subject to change without advance notice for the purpose of improvement.
When using this product, would you please refer to the latest specifications.

Electrical Characteristics (T_a=25°C)

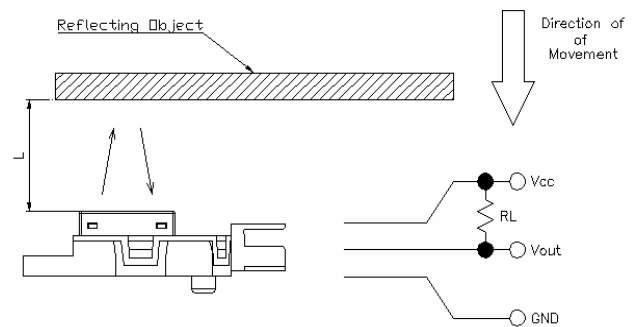
Characteristic		Symbol	Test Condition	Min.	Typ.	Max.	Unit	
Operating supply voltage		V _{CC}	-	3.05	-	5.25	V	
Low level output voltage		V _{OL}	V _{CC} =5V, I _{OL} =10 mA, Detecting	-	-	0.4	V	
High level output voltage		V _{OH}	V _{CC} =5V, R _L =1 kΩ, Undetecting	4.5	-	-	V	
Low level current consumption		I _{CCL}	V _{CC} =5V, Detecting	-	12	35	mA	
High level current consumption		I _{CCH}	V _{CC} =5V, Undetecting	-	12	35	mA	
Minimum detection distance *5		L _{DS}	OD:0.05	-	-	1	mm	
			OD:1.4, OHP *10	-	-	3	mm	
Maximum detection distance *6		L _{DL}	V _{CC} =5V R _L =1 kΩ	OD:0.05	10	-	-	mm
				OD:1.4, OHP	7	-	-	mm
Non detection distance *5		L _{NS}	V _{CC} =5V R _L =1 kΩ	OD:0.05	-	-	27	mm
				CIEGAL DOMY 8103	-	-	12	mm
Non detection area *7		L _{NA}	V _{CC} =5V R _L =1 kΩ	POM(White)	-	-	Φ10	mm
Response time	L→H propagation	t _{PLH}	V _{CC} =5V, R _L =1 kΩ *8	-	-	0.5	ms	
	H→L propagation	t _{PHL}		-	-	0.5	ms	
Disturbance light *9		Ev	V _{CC} =5V, R _L =1 kΩ	3000	-	-	Lx	

*10 : OHP sheet : PPC-E

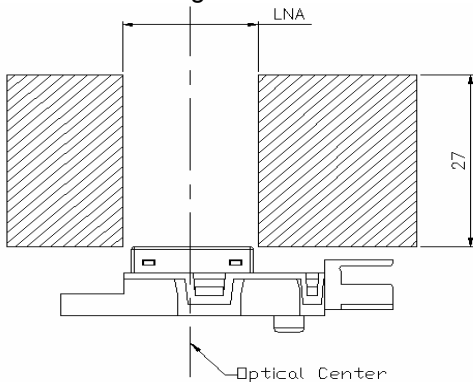
*5 : Minimum detection distance and non-detection distance measuring method.



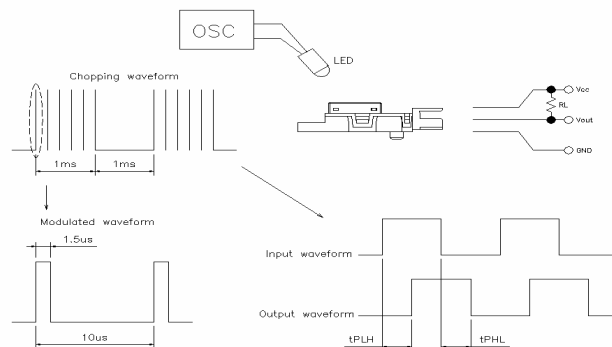
*6 : Maximum detection distance measuring method.



*7 : Non detecting area.



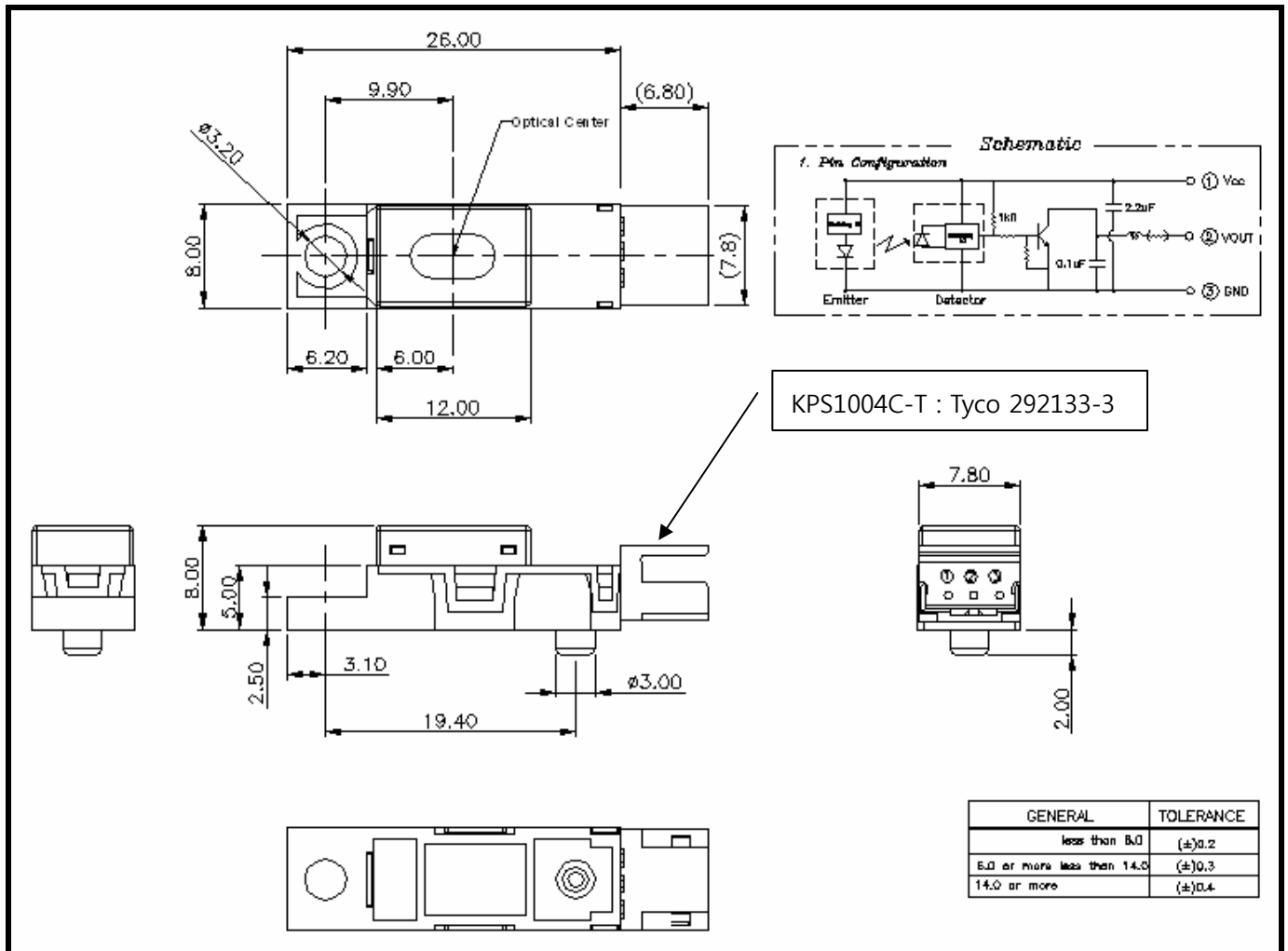
*8 : Response time measuring method.



The contents of this data sheet are subject to change without advance notice for the purpose of improvement. When using this product, would you please refer to the latest specifications.

KPS1004C-□

Package Outline Dimensions



The contents of this data sheet are subject to change without advance notice for the purpose of improvement. When using this product, would you please refer to the latest specifications.