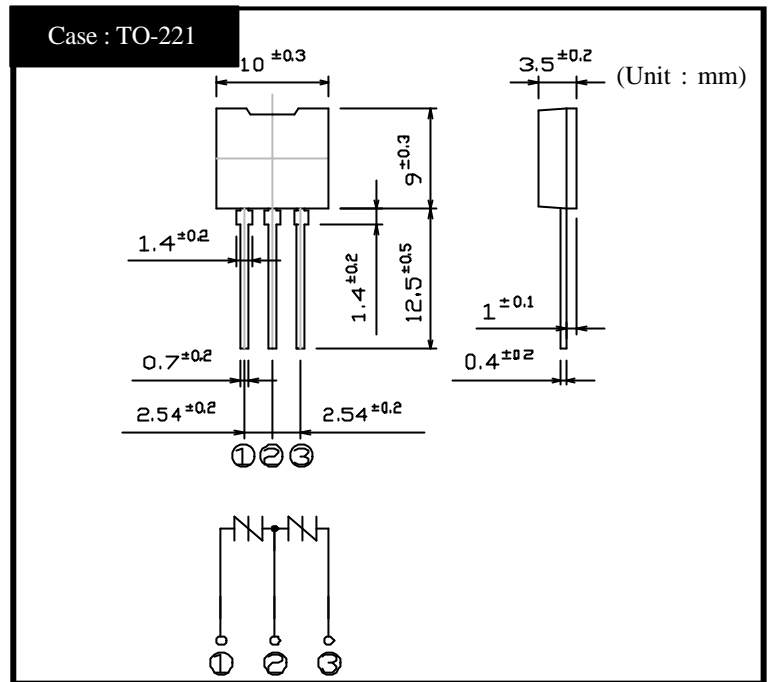


SHINDENGEN

TSS KT Series

KT10L08

OUTLINE DIMENSIONS



RATINGS

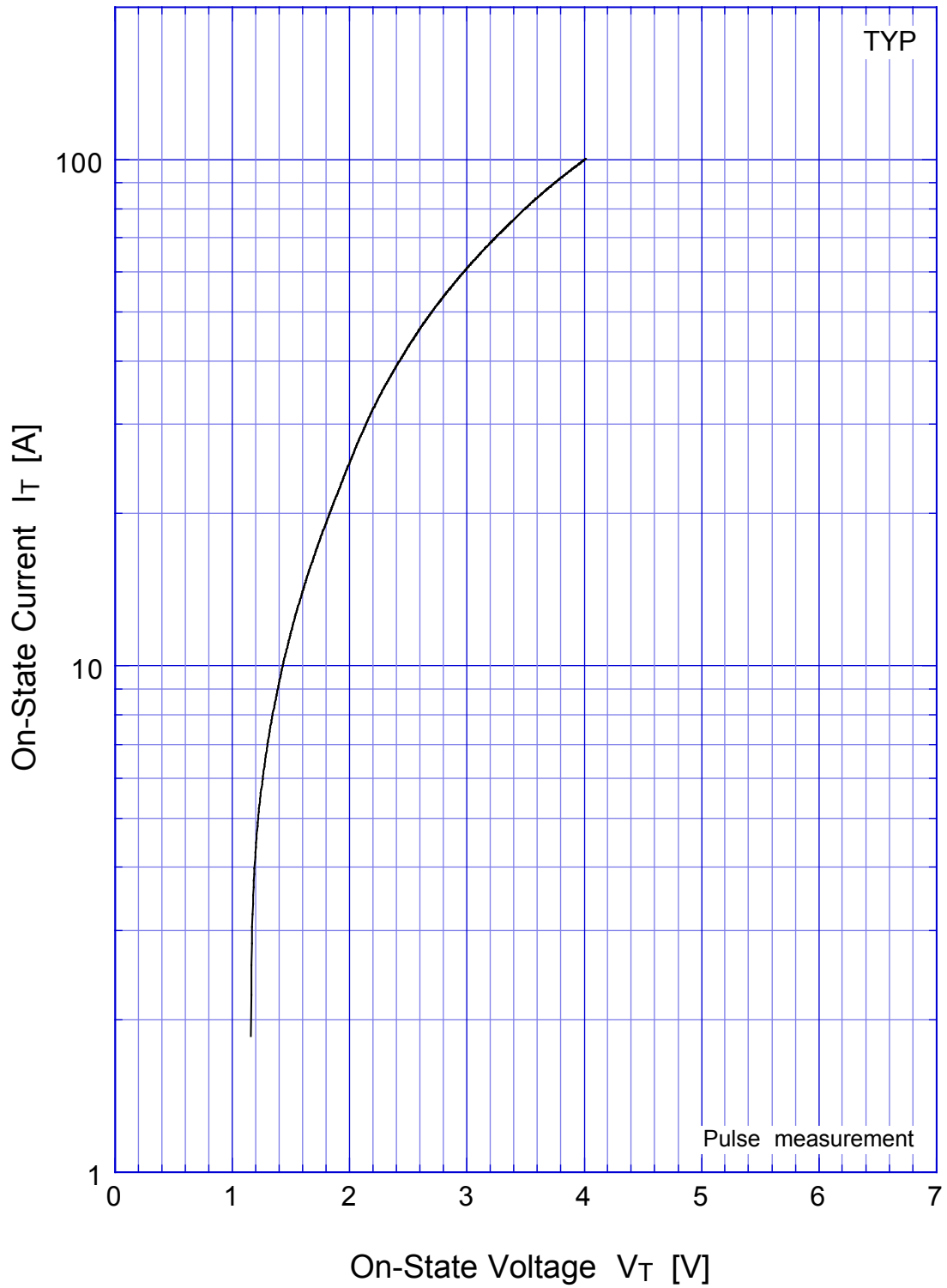
Absolute Maximum Ratings

| Item | Symbol | Conditions | Ratings | Unit |
|---------------------------|------------------|----------------------------|-----------|------|
| Storage Temperature | T _{stg} | | -40 ~ 125 | |
| Junction Temperature | T _j | | 125 | |
| Maximum Off-State Voltage | V _{DRM} | | 63 | V |
| Surge On-State Current | I _{TSM} | 10/1000 μs, Non-repetitive | 100 | A |
| | | 10/200 μs, Non-repetitive | 150 | |
| | | 8/20 μs, Non-repetitive | 250 | |

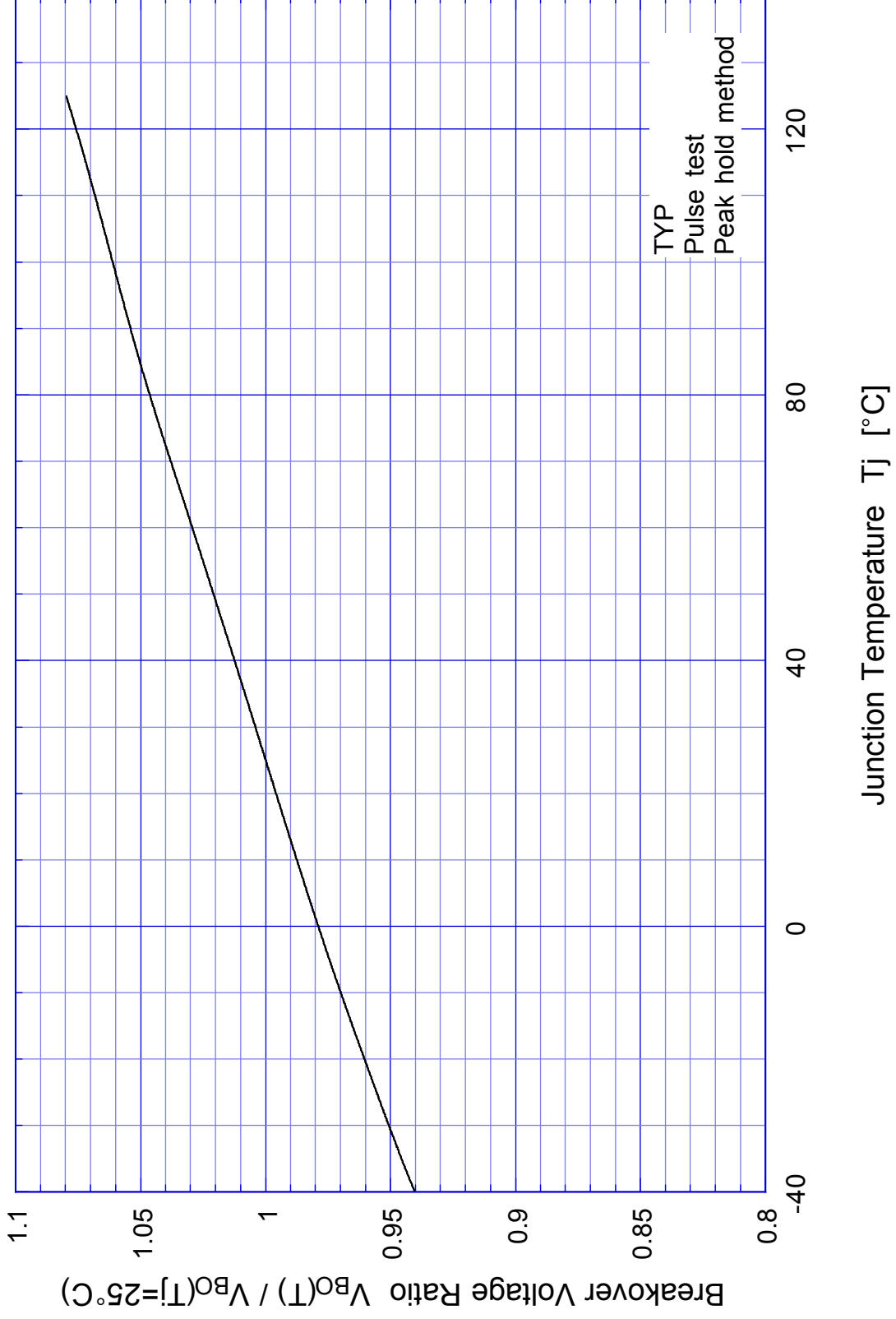
Electrical Characteristics (Tl=25)

| Item | Symbol | Conditions | Ratings | Unit |
|----------------------|------------------|--|----------|------|
| Breakover Voltage | V _{BO} | Pulse measurement (Peak hold) | Min 70 | V |
| Off-State Current | I _{DRM} | V _D = V _{DRM} | Max 10 | μA |
| Holding Current | I _H | Pulse measurement | Min 100 | mA |
| On-State Voltage | V _T | I _T = 2A | TYP 1.15 | V |
| Junction Capacitance | C _j | f = 1kHz OSC = 1V, V _D = 50V | Max 180 | pF |
| Clamping Voltage | V _{CL} | dv/dt = 100V/μs | Max 100 | V |

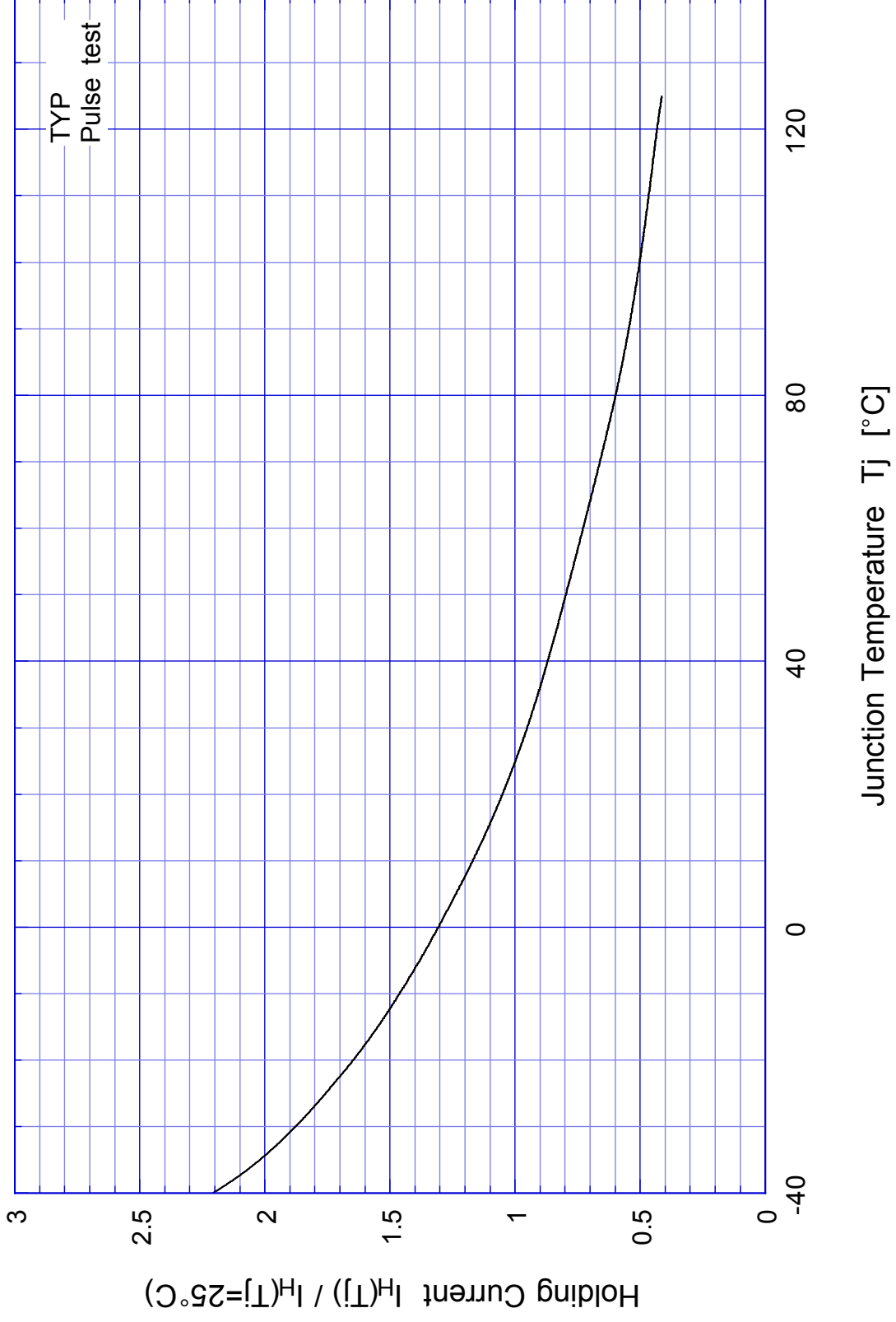
KT10L08 On-State Voltage - On-State Current



KT10L08 Breakover Voltage - Junction Temperature

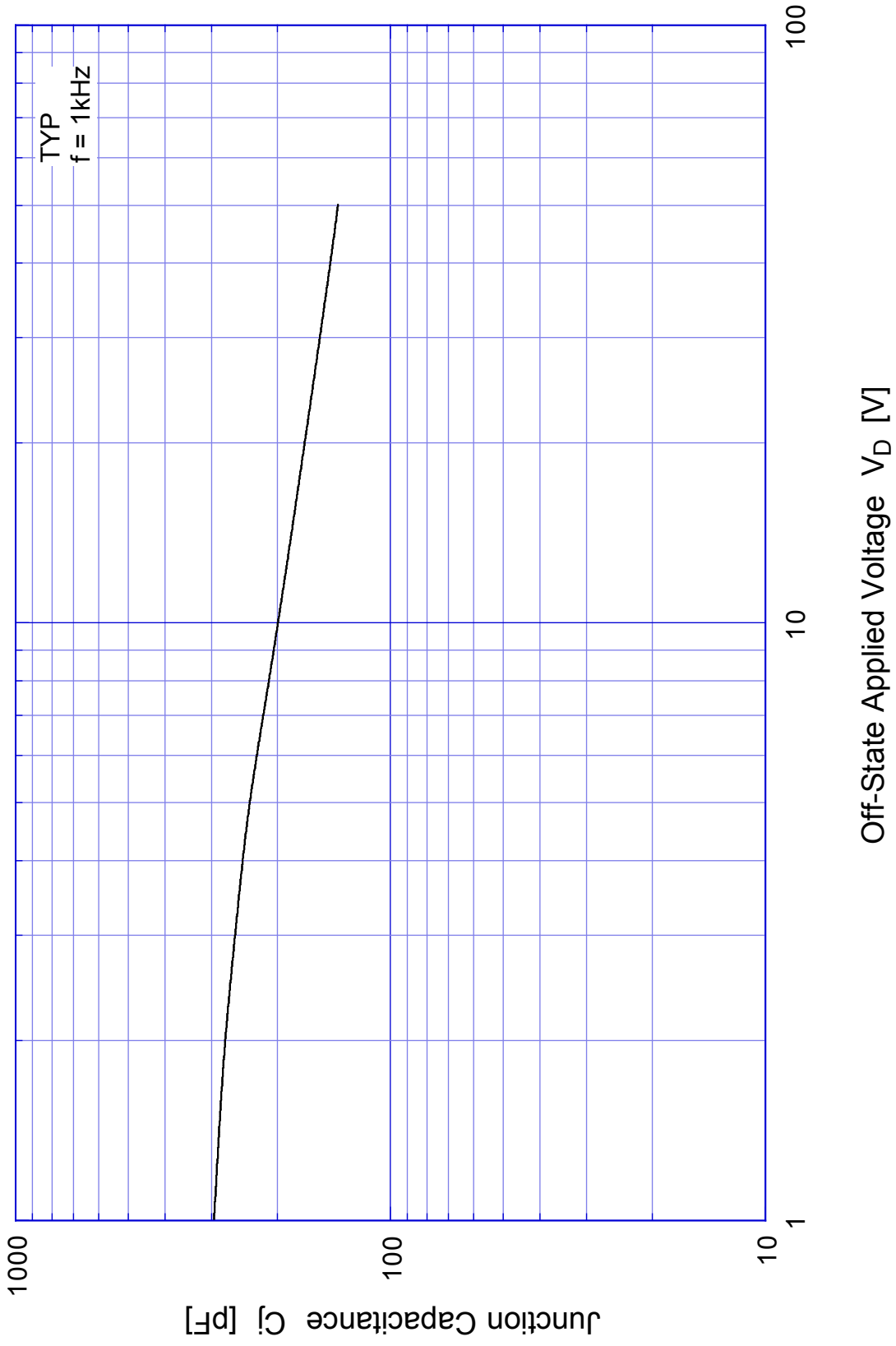


KT10L08 Holding Current - Junction Temperature



KT10L08

Junction Capacitance



KT10L08

Junction Capacitance

