



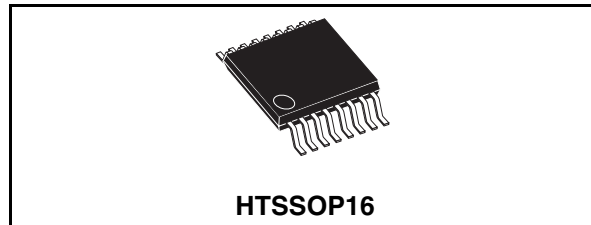
L5988

4A step-down switching regulator with synchronous rectification

Preliminary Data

Features

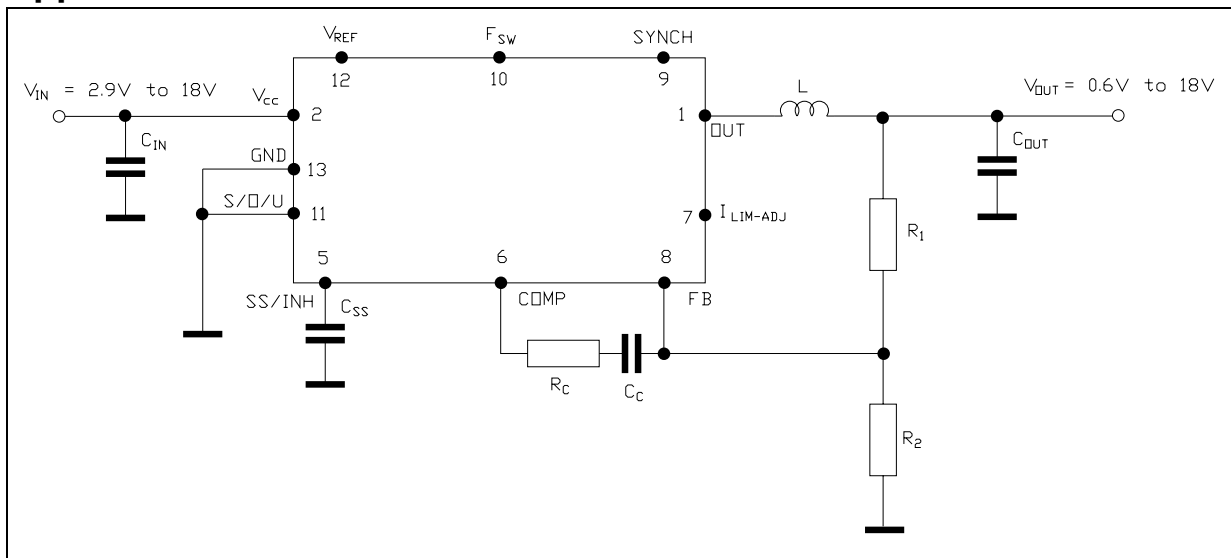
- 4A DC output current
- 2.9V to 18V input voltage
- Output voltage adjustable from 0.6V
- 400KHz switching frequency, programmable up to 1MHz
- Soft-start and inhibit
- $1.8V \pm 2\%$ reference voltage
- Low dropout operation: 100% duty cycle
- Voltage feed-forward
- Zero load current operation
- Sink current capability
- Over current, over voltage and thermal protection
- HTSSOP16 package



Applications

- Consumer:
 - STB, DVD, DVD recorder, TV, VCR, Car audio, LCD monitors
- Networking:
 - XDSL, Modems, DC-DC modules
- Computer:
 - Optical storage, Hard disk drive, Printers, Audio/Graphic cards
- Industrial:
 - Chargers, car battery, DC-DC converters

Application circuit



Order codes

Part Number	Package	Packaging
L5988D	HTSSOP16	Tube
L5988DTR	HTSSOP16	Tape and reel

August 2006

Rev 3

1/10

This is preliminary information on a new product now in development or undergoing evaluation. Details are subject to change without notice www.st.com

Contents

1	Technical characteristics	3
2	Pin connections and functions	4
3	Maximum ratings	5
4	Electrical characteristics	5
5	Package mechanical data	7
6	Revision history	9

1 Technical characteristics

The L5988D is a synchronous step down monolithic power switching regulator capable of delivering up to 4A. The input voltage can range from 2.9V to 18V.

Thanks to the very short minimum ON time, the device is able to manage extremely low duty cycles, allowing very low output voltages. Requiring a minimum set of external components, the device includes an internal 400 KHz switching frequency oscillator that can be externally adjusted up to 1MHz. The regulator can provide 100% duty-cycle. A multifunction pin allows to enable-disable the sink mode current capability after soft-start, to enable-disable the latch mode for the OVP and to set the UVLO threshold for the 3.3V BUS and 12V BUS. The current limit can be externally adjusted to fit the application requirements. The current is sensed during both the on-time and the off-time and so the protection is effective with both very low or very high duty-cycle and/or with high switching frequency. The HTSSOP16 package with exposed pad allows reducing the R_{thJA} to 40°C/W

2 Pin connections and functions

Figure 1. Pin connection (Top view)

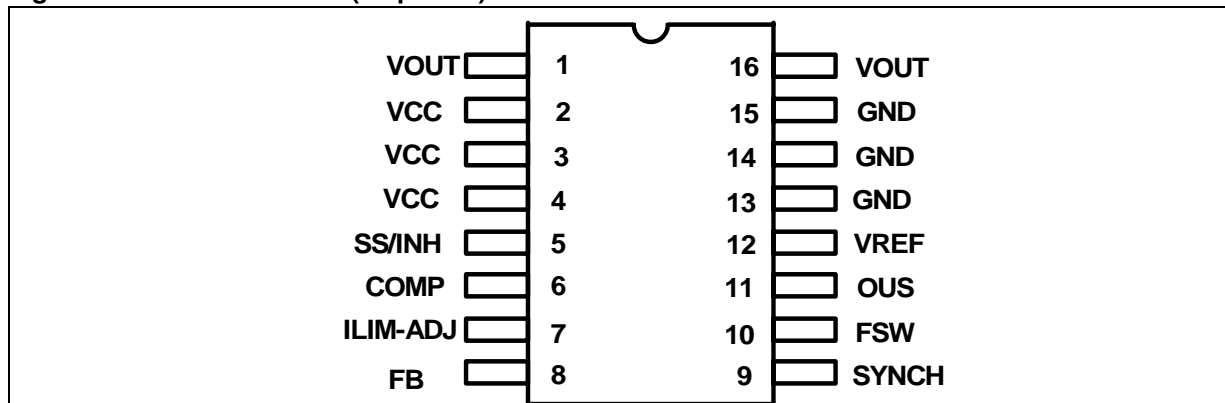


Table 1. Pin functions

N° Pin	Name	Description
2,3,4	V _{CC}	Unregulated DC input voltage.
1,16	V _{OUT}	Regulator output.
13,14,15	GND	Ground.
9	SYNCH	It is a Master-Slave pin. Two or more devices can be synchronized by simply connecting the SYNCH pins together. The device operating with the highest FSW will be the Master. The Slave devices will operate with 180° phase shift from the Master.
10	FSW	Connecting an external resistor from this pin to GND, the external frequency can be increased up to 1 MHz. Connecting an external resistor from this pin to VREF (1.8V), the switching frequency can be decreased down to 200 KHz. If the pin is left open, the default switching frequency is 400 KHz. The pin voltage is 1.2V. In OVP the pin is pulled up to 3.3V (only in latched mode).
8	FB	This pin is connected to the error amplifier inverting input. Connect it to the output resistor divider (if used) or directly to Vout. This pin is also used to sense the output voltage in order to manage the over voltage condition.
6	COMP	This pin is connected to the error amplifier output and is used to compensate the voltage control feedback loop.
5	SS/INH	The soft-start time is programmed connecting an external capacitor from this pin and GND. The internal current generator forces a current of 22 μA through the capacitor. When the voltage at this pin is lower than 0.65V the device is disabled.
12	V _{REF}	Internally regulated voltage of 1.8V. It is used to provide a voltage reference for the multifunction pin. Filter this pin to ground with at least 1μF ceramic cap.
7	ILIM-ADJ	Connecting a resistor between this pin and GND it is possible to increase the over current protection threshold. Connecting a resistor between this pin and V _{REF} it is possible to decrease the over current protection threshold.
11	S/O/U	Multifunction pin. Depending on the voltage level at the input, with this pin it is possible: <ul style="list-style-type: none"> – to enable-disable the sink mode current capability after soft-start; – to enable-disable the latch mode for the OVP; – to set the UVLO threshold for the 3.3V BUS and 12V BUS. (2.4V and 8V respectively); The device continuously checks the analog value present at this pin and sets the function according with the measured voltage.

3 Maximum ratings

Table 2. Absolute maximum ratings

Symbol	Parameter	Value	Unit
V_{CC}	Input voltage	20	V
V_{OUT}	Output DC voltage	-0.3 to 20	V
S/O/U, SS/INH, FB, COMP, SYNCH, Fsw, ILIM-ADJ	Analog pins	-0.3 to 4	V
P_{TOT}	Power dissipation at $T_A = 60^\circ\text{C}$		W
T_J	Junction temperature range	-40 to 150	$^\circ\text{C}$
$T_{storage}$	Storage temperature range	-55 to 150	$^\circ\text{C}$

4 Electrical characteristics

$V_{CC} = 12\text{V}$, $T_J = 25^\circ\text{C}$, unless otherwise specified

Table 3. Electrical characteristics

Symbol	Parameter	Test condition	Min	Typ	Max	Unit
V_{CC}	Operating input voltage range	$V_O = 0.6\text{V}$	2.9		18	V
R_{dson_hs}	On resistance high-side MOSFET			75		m Ω
R_{dson_ls}	On resistance low-side MOSFET			60		m Ω
I_l peak	Current limit	$I_{LIM-ADJ} = \text{float}$		4		A
		$R = 270\text{K}\Omega$ to GND		5		A
		$R = 47\text{K}\Omega$ to V_{REF}		1.3		A
I_l valley	Current limit	$I_{LIM-ADJ} = \text{float}$		4.6		A
		$R = 270\text{K}\Omega$ to GND		5.6		A
		$R = 47\text{K}\Omega$ to V_{REF}		1.8		A
I_{qst-by}	Total shutdown quiescent current	SS to GND		35		μA
Power-ON						
3.3V BUS	Turn-On V_{CC} threshold			2.8		V
	Turn-Off V_{CC} threshold			2.6		V
12V BUS	Turn-On V_{CC} threshold			8		V
	Turn-Off V_{CC} threshold			7		V

Table 3. Electrical characteristics

Symbol	Parameter	Test condition	Min	Typ	Max	Unit
Soft start and inhibit						
I _{SS}	Soft start current	SS = 2V		18		μA
	Inhibit current	SS = 0V		5		μA
	Device ON level		0.8			V
	Device OFF level				0.3	V
Oscillator						
f _S	Switching frequency	F _{SW} = open		400		KHz
	Duty cycle ⁽¹⁾		0		100	%
Voltage feedback						
V _{FB}	Output voltage	2.9V < V _{CC} < 18V		0.6		V
Error amplifier						
V _{COMP}	Output voltage	V _{SS} = 3V	0		3	V
I _{FB}	Bias current	V _{FB} = 0V to 2.5V		0.290		μA
I _{o source}	Source output pin			25		mA
I _{o sink}	Sink output pin			40		mA
V _{CM}	Common mode voltage		0		2.3	V
V _{OFFSET}	Error amplifier offset	V _{ref} = 0.6V	-5		+5	mV
G _V	Open loop voltage gain			100		dB
Reference section						
V _{REF}	Reference voltage	I _{ref} = 0 to 5mA V _{CC} = 2.9 to 18V		1.8		V
	Line regulation	I _{ref} = 0 mA V _{CC} = 2.9 to 18V		6		mV
	Load regulation	I _{ref} = 0 to 5mA		7.5		mV
	Short circuit current			12		mA
Protections						
	Over voltage trip (V _{FB} / 0.6V int. ref.)	V _{FB} Rising		20		%

1. Guaranteed by design

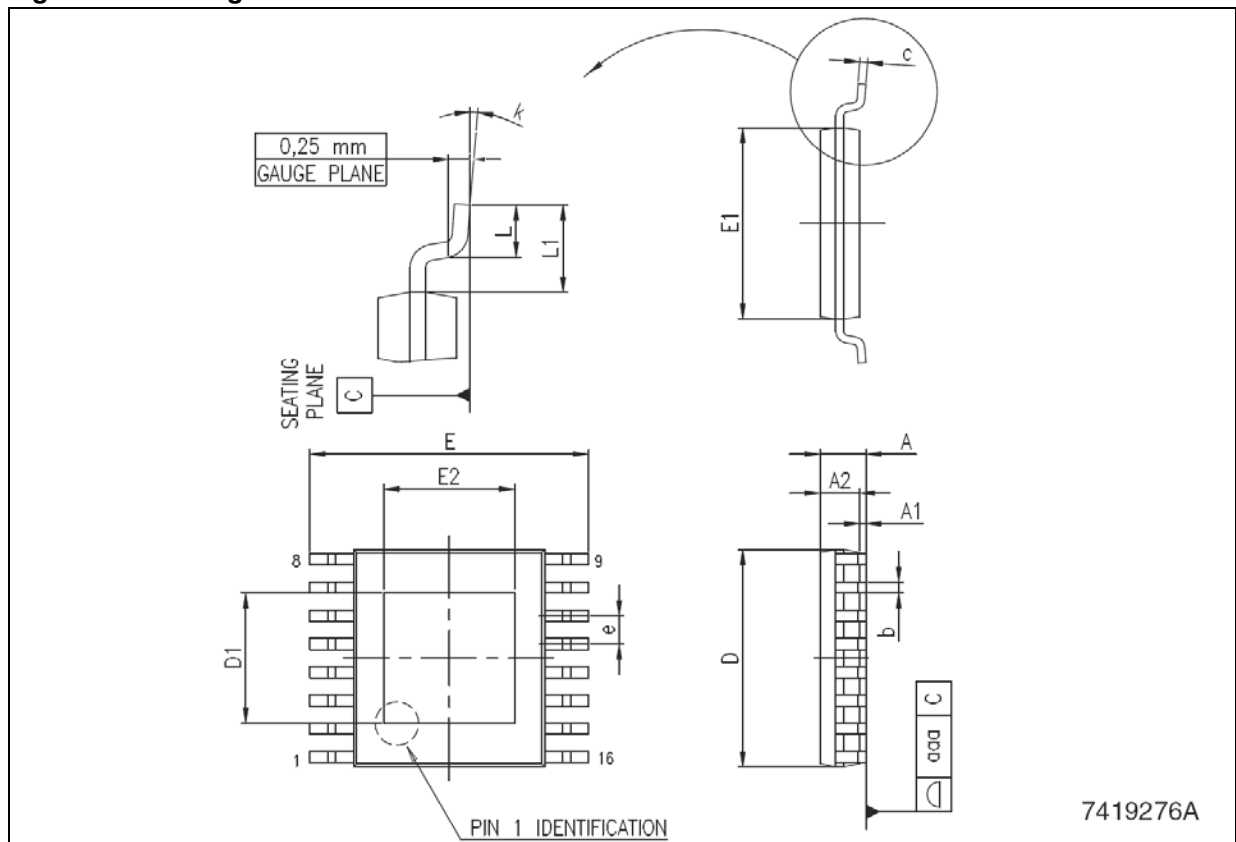
5 Package mechanical data

In order to meet environmental requirements, ST offers these devices in ECOPACK® packages. These packages have a Lead-free second level interconnect . The category of second Level Interconnect is marked on the package and on the inner box label, in compliance with JEDEC Standard JESD97. The maximum ratings related to soldering conditions are also marked on the inner box label. ECOPACK is an ST trademark. ECOPACK specifications are available at: www.st.com.

Table 4. TSSOP16 exposed pad mechanical data

Dim.	mm.			Inch		
	Min	Typ	Max	Min	Typ	Max
A			1.2			0.047
A1			0.15		0.004	0.006
A2	0.8	1	1.05	0.031	0.039	0.041
b	0.19		0.30	0.007		0.012
c	0.09		0.20	0.004		0.0089
D	4.9	5	5.1	0.193	0.197	0.201
D1	1.7			0.067		
E	6.2	6.4	6.6	0.244	0.252	0.260
E1	4.3	4.4	4.5	0.169	0.173	0.177
E2	1.5			0.059		
e		0.65			0.0256	
K	0°		8°	0°		8°
L	0.45	0.60	0.75	0.018	0.024	0.030

Figure 2. Package dimensions



6 Revision history

Table 5. Revision history

Date	Revision	Changes
25-Nov-2005	1	Initial release
10-Jan-2006	2	Various updates on Table 1
08-Aug-2006	3	Added Electrical data Table 3 .

Please Read Carefully:

Information in this document is provided solely in connection with ST products. STMicroelectronics NV and its subsidiaries ("ST") reserve the right to make changes, corrections, modifications or improvements, to this document, and the products and services described herein at any time, without notice.

All ST products are sold pursuant to ST's terms and conditions of sale.

Purchasers are solely responsible for the choice, selection and use of the ST products and services described herein, and ST assumes no liability whatsoever relating to the choice, selection or use of the ST products and services described herein.

No license, express or implied, by estoppel or otherwise, to any intellectual property rights is granted under this document. If any part of this document refers to any third party products or services it shall not be deemed a license grant by ST for the use of such third party products or services, or any intellectual property contained therein or considered as a warranty covering the use in any manner whatsoever of such third party products or services or any intellectual property contained therein.

UNLESS OTHERWISE SET FORTH IN ST'S TERMS AND CONDITIONS OF SALE ST DISCLAIMS ANY EXPRESS OR IMPLIED WARRANTY WITH RESPECT TO THE USE AND/OR SALE OF ST PRODUCTS INCLUDING WITHOUT LIMITATION IMPLIED WARRANTIES OF MERCHANTABILITY, FITNESS FOR A PARTICULAR PURPOSE (AND THEIR EQUIVALENTS UNDER THE LAWS OF ANY JURISDICTION), OR INFRINGEMENT OF ANY PATENT, COPYRIGHT OR OTHER INTELLECTUAL PROPERTY RIGHT.

UNLESS EXPRESSLY APPROVED IN WRITING BY AN AUTHORIZED ST REPRESENTATIVE, ST PRODUCTS ARE NOT RECOMMENDED, AUTHORIZED OR WARRANTED FOR USE IN MILITARY, AIR CRAFT, SPACE, LIFE SAVING, OR LIFE SUSTAINING APPLICATIONS, NOR IN PRODUCTS OR SYSTEMS WHERE FAILURE OR MALFUNCTION MAY RESULT IN PERSONAL INJURY, DEATH, OR SEVERE PROPERTY OR ENVIRONMENTAL DAMAGE. ST PRODUCTS WHICH ARE NOT SPECIFIED AS "AUTOMOTIVE GRADE" MAY ONLY BE USED IN AUTOMOTIVE APPLICATIONS AT USER'S OWN RISK.

Resale of ST products with provisions different from the statements and/or technical features set forth in this document shall immediately void any warranty granted by ST for the ST product or service described herein and shall not create or extend in any manner whatsoever, any liability of ST.

ST and the ST logo are trademarks or registered trademarks of ST in various countries.

Information in this document supersedes and replaces all information previously supplied.

The ST logo is a registered trademark of STMicroelectronics. All other names are the property of their respective owners.

© 2006 STMicroelectronics - All rights reserved

STMicroelectronics group of companies

Australia - Belgium - Brazil - Canada - China - Czech Republic - Finland - France - Germany - Hong Kong - India - Israel - Italy - Japan - Malaysia - Malta - Morocco - Singapore - Spain - Sweden - Switzerland - United Kingdom - United States of America

www.st.com