

MICRO

ELECTRONICS

L72CB/1Y1GDA
L72CB/1Y1GDA-L
L72CB/1Y1GDA-2L

RIGHT ANGLE
LED LAMPS

FEATURES

Ideal for card edge status indication
Option for different color LED
Package allows flush seating on a PCB boards

DESCRIPTION

L72CB/1Y1GDA series are right angle dual LED unit that incorporates two different color tinted diffused T-1 3/4 LED lamp in a black plastic housing. The yellow LED lamp is located at left hand side and green at the right.

OPTIONS

LED lamp are available in standard red, high efficiency red, GaAlAs ultra-bright red, yellow or green.

ABSOLUTE MAXIMUM RATINGS	YELLOW	GREEN	UNIT
Power Dissipation @ Ta=25°C	60	90	mW
Forward Current, DC (IF)	20	30	mA
Reverse Voltage	5	5	V
Operating & Storage Temperature Range	-55 to +85		°C
Lead Soldering Temperature (1/16" from body, 5 seconds)	260		°C

ELECTRO-OPTICAL CHARACTERISTICS (Ta=25°C)

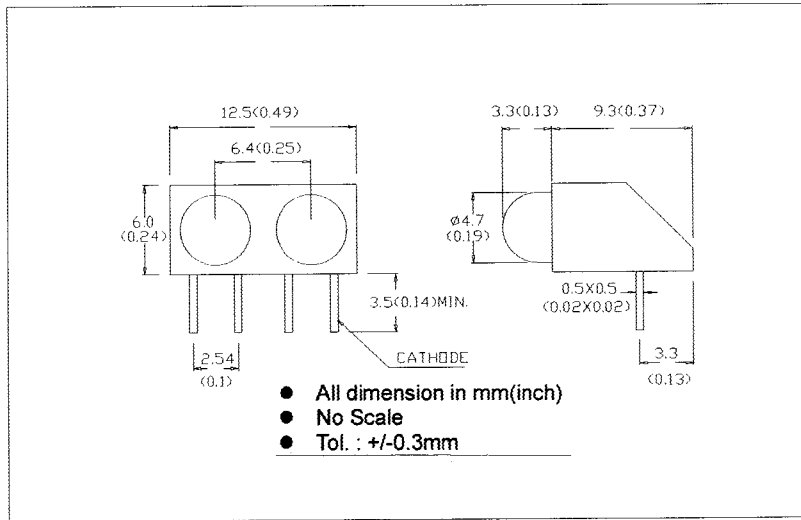
PARAMETER	SYMBOL	YELLOW	GREEN	UNIT	CONDITIONS
Forward Voltage	MAX V_F	3.0	3.0	V	$I_F=20mA$
Reverse Breakdown Voltage	MIN BV_R	5	5	V	$I_R=100\mu A$
Luminous Intensity	MIN I_V	4.0	7.0	mcd	$I_F=20mA$
	TYP	6.0	10	mcd	$I_F=20mA$
Peak Wavelength	TYP λ_p	585	570	nm	$I_F=20mA$
Spectral Line Half Width	TYP $\Delta\lambda$	35	30	nm	$I_F=20mA$



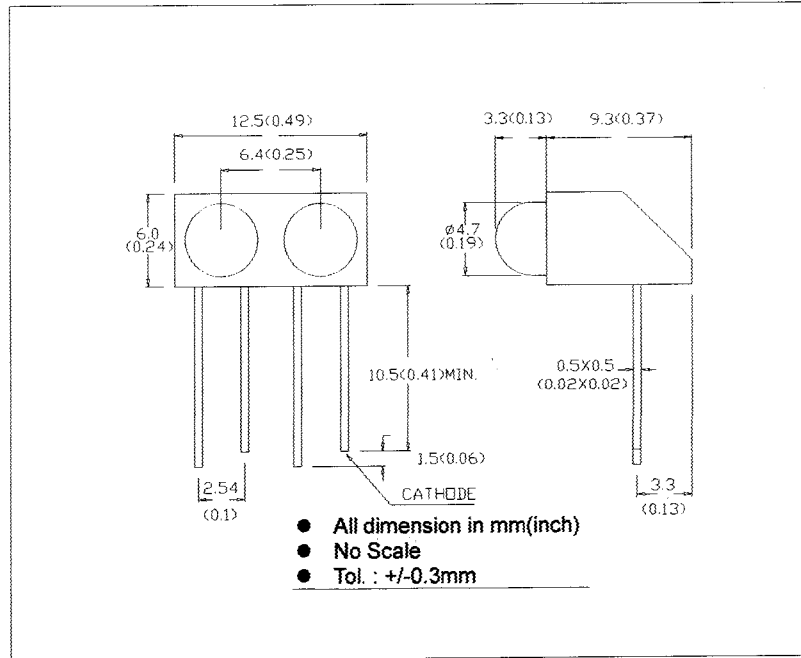
MICRO ELECTRONICS LTD.

38, Hung To Road, Microtron Building, Kwun Tong, Kowloon, Hong Kong.
Kwun Tong P.O. Box 69477 Hong Kong. Fax No. 2341 0321 Telex:43510 Micro Hx. Tel: 2343 0181-5

L72CB/1Y1GDA



L72CB/1Y1GDA-L



L72CB/1Y1GDA-2L

