



# LA4571MB

## Low-voltage Headphone Amplifier for Stereo Audio

### Overview

The LA4571MB is a low-voltage, stereo headphone amplifier incorporating both tape head preamplifiers and headphone power amplifiers in a single chip, making it ideal for portable battery-powered equipment. It features logic-level controlled output signal muting, excellent noise characteristics and easy interconnection with signal sources, such as an AM/FM tuner IC.

The LA4571MB requires no input or output coupling capacitors. A buffer amplifier with 10Ω output impedance reduces the size of the virtual-earth decoupling capacitor. The preamplifier and power amplifier inputs only require the addition of an external capacitor to provide high-frequency noise filtering.

The LA4571MB operates from a 3V supply and is available in 20-pin MFPs.

### Features

- Stereo tape head preamplifiers and headphone power amplifiers on chip.
- Output signal muting.
- Low noise.
- 8Ω speaker driver.
- 3V supply.
- 20-pin MFP.

### Specifications

#### Maximum Ratings at Ta = 25°C

Parameter	Symbol	Conditions	Ratings	Unit
Supply voltage	V <sub>CC</sub> max		4.5	V
Allowable power dissipation	P <sub>d</sub> max		400	mW
Operating temperature	T <sub>opr</sub>		-20 to +75	°C
Storage temperature	T <sub>stg</sub>		-40 to +125	°C

#### Recommended Operating Conditions at Ta = 25°C

Parameter	Symbol	Conditions	Ratings	Unit
Supply voltage	V <sub>CC</sub>		3.0	V
Supply voltage range	V <sub>CC</sub> op		1.8 to 3.6	V

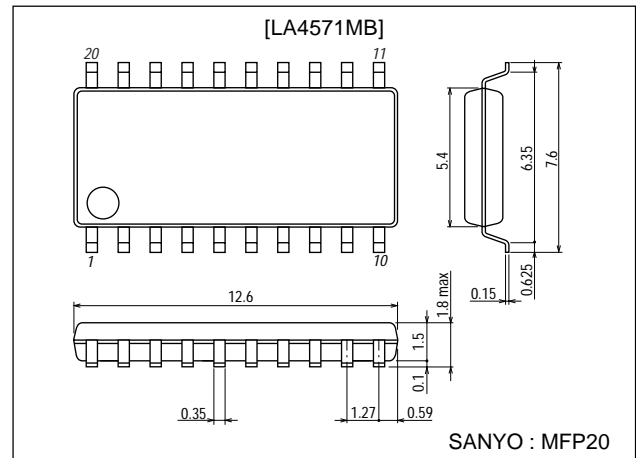
■ Any and all SANYO products described or contained herein do not have specifications that can handle applications that require extremely high levels of reliability, such as life-support systems, aircraft's control systems, or other applications whose failure can be reasonably expected to result in serious physical and/or material damage. Consult with your SANYO representative nearest you before using any SANYO products described or contained herein in such applications.

■ SANYO assumes no responsibility for equipment failures that result from using products at values that exceed, even momentarily, rated values (such as maximum ratings, operating condition ranges, or other parameters) listed in products specifications of any and all SANYO products described or contained herein.

### Package Dimensions

unit:mm

3036B-MFP20



# LA4571MB

## Electrical Characteristics

**Preamplifier and power amplifier** at  $T_a = 25^\circ\text{C}$ ,  $V_{CC}=3.0\text{V}$ ,  $f=1\text{kHz}$ ,  $R_L$  (pre)= $10\text{k}\Omega$ ,  $R_L$  (power)= $16\Omega$ ,  $0\text{dBm}$  at  $0.775\text{V}$  unless otherwise noted

Parameter	Symbol	Conditions	Ratings			Unit
			min	typ	max	
Quiescent supply current	$I_{CCO}$	$R_g=2.2\text{k}\Omega$ , $V_I=0\text{V}$		17	27	mA
Total voltage gain	$V_{GT}$	$V_O=-5\text{dBm}$	65	68	71	dB

**Preamplifier** at  $T_a = 25^\circ\text{C}$ ,  $V_{CC}=3.0\text{V}$ ,  $f=1\text{kHz}$ ,  $R_L$  (pre)= $10\text{k}\Omega$ ,  $R_L$  (power)= $16\Omega$ ,  $0\text{dBm}$  at  $0.775\text{V}$  unless otherwise noted

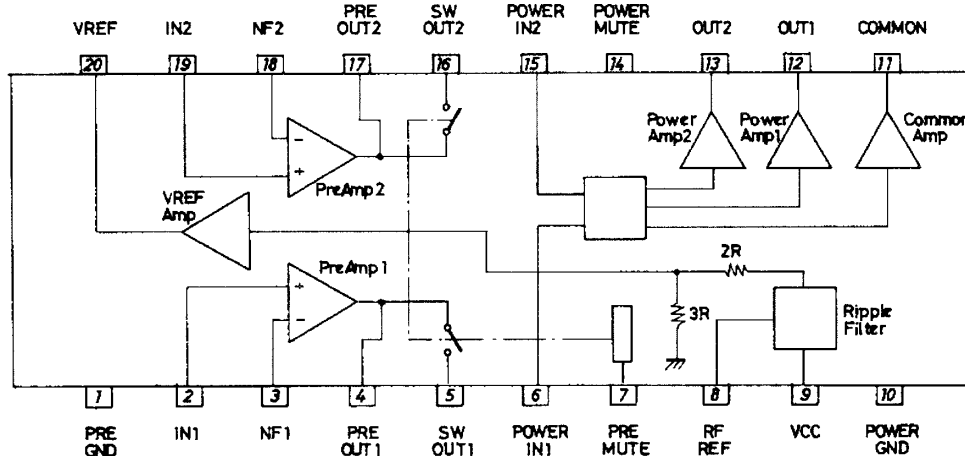
Parameter	Symbol	Conditions	Ratings			Unit
			min	typ	max	
Open-loop voltage gain	$V_{GO}$	$V_O=-5\text{dBm}$	70	80		dB
Closed-loop voltage gain	$V_{G1}$	$V_O=-5\text{dBm}$		40		dB
Maximum output voltage	$V_{O\text{ max}}$	THD=1%, $V_{CC}=1.8\text{V}$	0.1	0.2		V
Total harmonic distortion	THD <sub>1</sub>	$V_O=0.2\text{V}$ , $V_G=40\text{dB}$ (NAB standard)		0.05	0.5	%
Input conversion noise voltage	$V_{NI}$	$R_g=2.2\text{k}\Omega$ , bandwidth=20Hz to 20kHz		1.3	2.0	$\mu\text{V}$
Channel crosstalk	CT <sub>1</sub>	$R_g=2.2\text{k}\Omega$ , 1kHz tune	60	80		dB
Ripple rejection	$R_{r1}$	$R_g=2.2\text{k}\Omega$ , $V_{CC}=1.8\text{V}$ , $V_I=-20\text{dBm}$ , $f=100\text{Hz}$	40	50		dB

**Power amplifier** at  $T_a = 25^\circ\text{C}$ ,  $V_{CC}=3.0\text{V}$ ,  $f=1\text{kHz}$ ,  $R_L$  (pre)= $10\text{k}\Omega$ ,  $R_L$  (power)= $16\Omega$ ,  $0\text{dBm}$  at  $0.775\text{V}$  unless otherwise noted

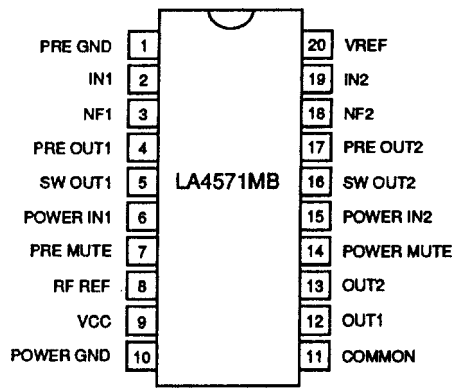
Parameter	Symbol	Conditions	Ratings			Unit
			min	typ	max	
Output power	$P_O$	THD=10%	23	32		mW
Closed-loop voltage gain	$V_{G2}$	$V_O=-5\text{dBm}$	25	28	31	dB
Total harmonic distortion	THD <sub>2</sub>	$P_O=1\text{mW}$		0.4	1.0	%
Channel crosstalk	CT <sub>T</sub>	$V_O=-5\text{dBm}$ , $R_V=0\Omega$	30	40		dB
Output noise voltage	$V_{NO}$	$R_g=0\Omega$ , BPF=20Hz to 20kHz		24	40	$\mu\text{V}$
Ripple rejection	$R_{r2}$	$R_g=0\Omega$ , $V_I=-20\text{dB}$ , $f=100\text{Hz}$ , $V_{CC}=1.8\text{V}$	45	60		dB
Input resistance	$R_i$		22	30	38	$\text{k}\Omega$
Output DC offset voltage	$V_{ODC\text{ off}}$		-90		+90	mV

Note : The maximum and minimum values for the power amplifiers closed-loop voltage gain ( $V_{G2}$ ) increase by 1dB when the load resistance ( $R_L$ ) is  $32\Omega$ .

## Block Diagram



## Pin Assignment

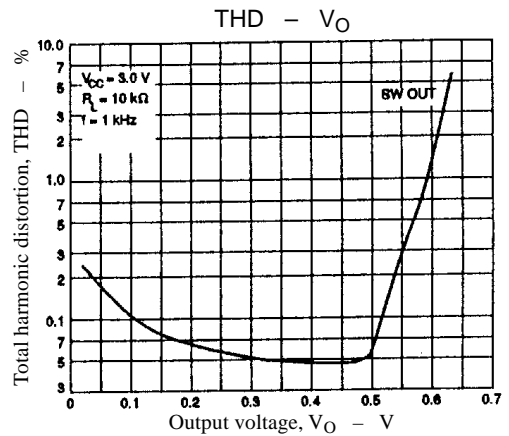
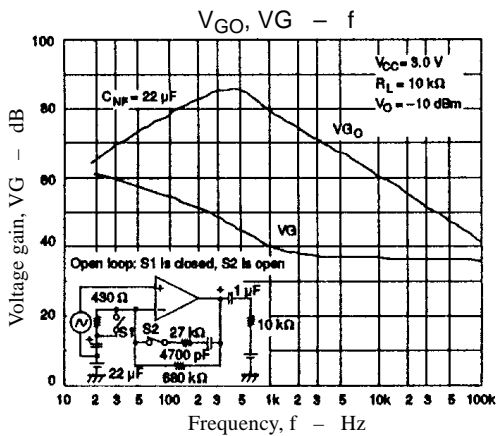
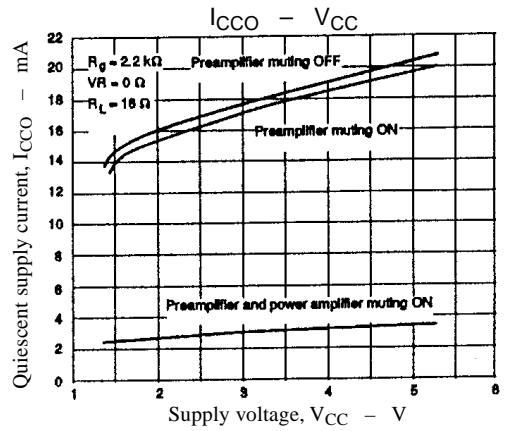
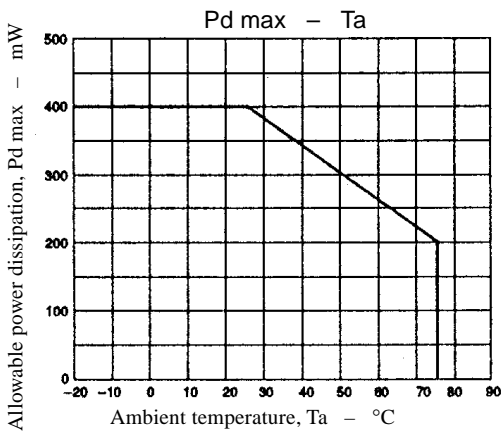
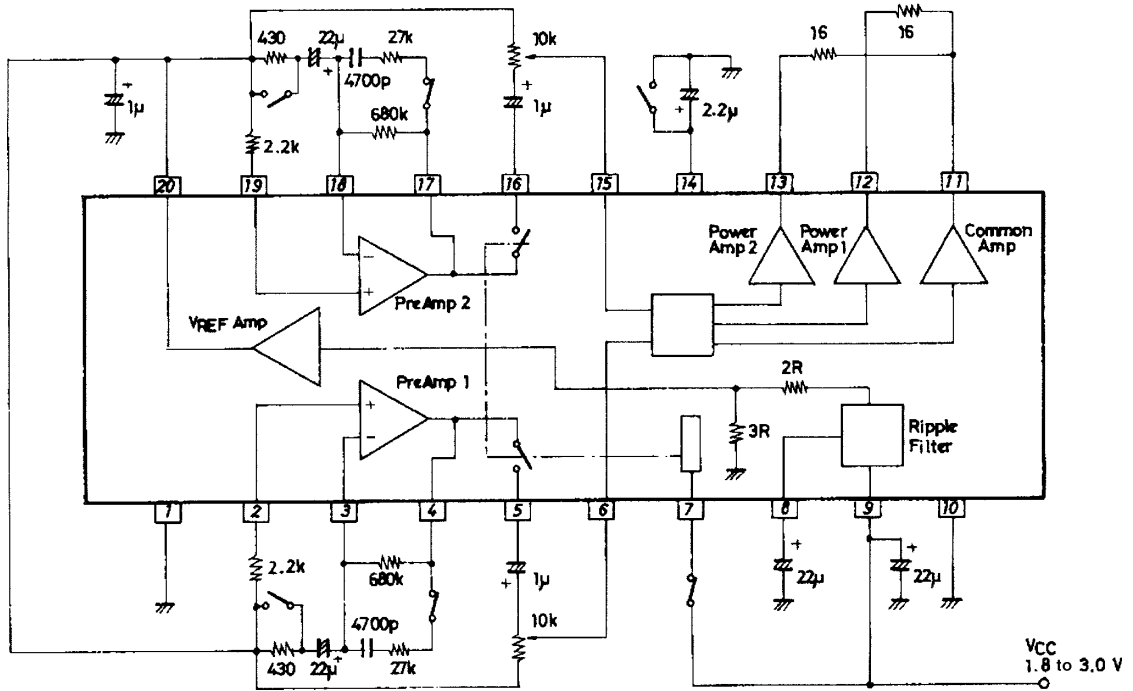


## Pin Description

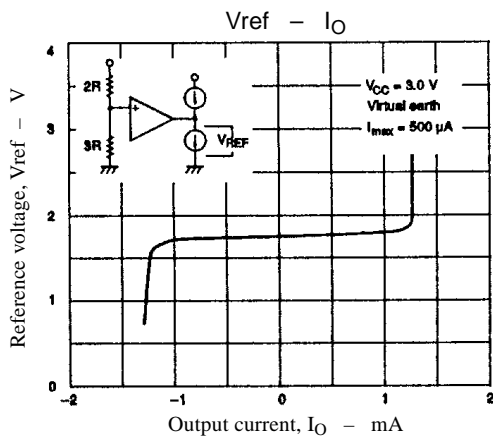
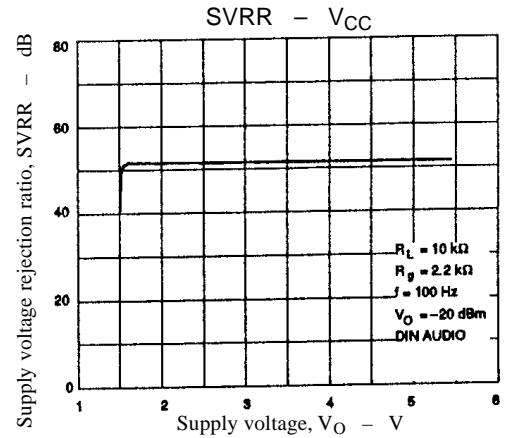
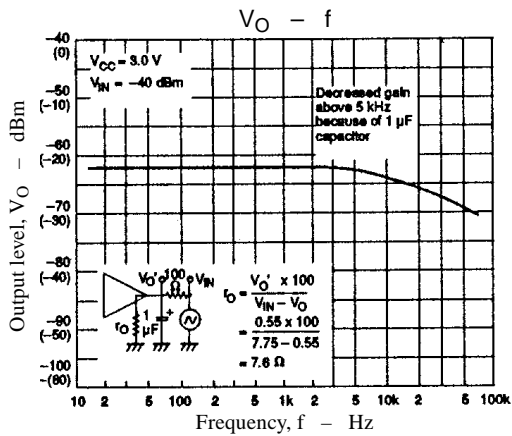
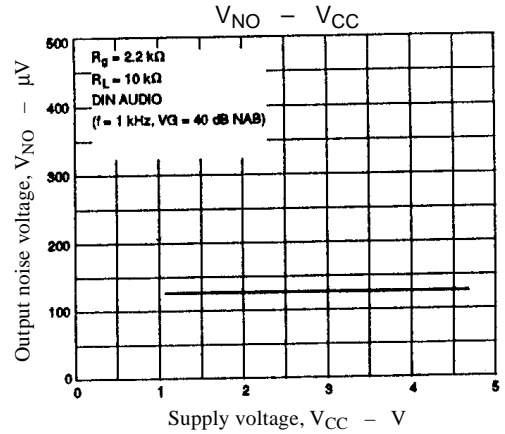
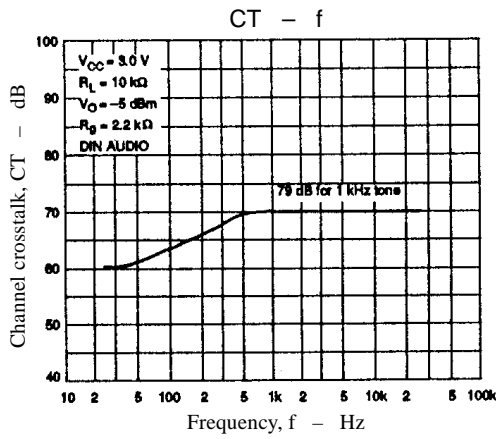
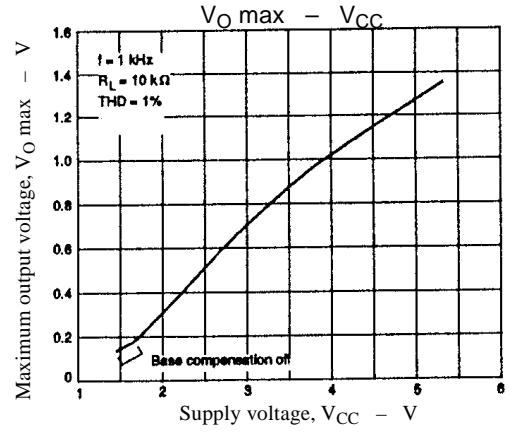
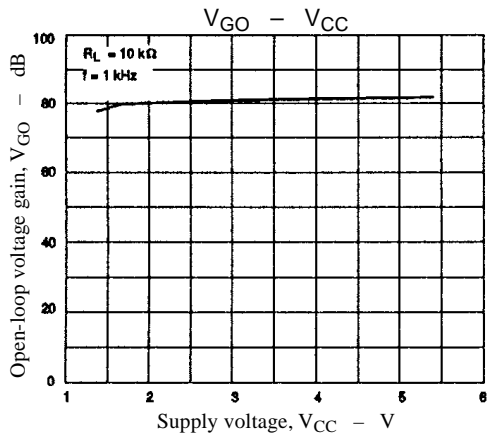
Number	Name	Description
1	PRE GND	Preamplifier ground
2	IN1	Channel 1 preamplifier input
3	NF1	Channel 1 preamplifier negative feedback input
4	PRE OUT1	Channel 1 preamplifier output
5	SW OUT1	Channel 1 preamplifier mute-control switched output $R_{IN} \geq 500k\Omega$
6	POWER IN1	Channel 1 power amplifier input. $R_{IN} \approx 30k\Omega$
7	PRE MUTE	Preamplifier mute control
8	RF REF	Ripple-filter capacitor connection
9	V <sub>CC</sub>	Supply voltage
10	POWER GND	Power amplifier ground
11	COMMON	Common amplifier output
12	OUT1	Channel 1 power amplifier output
13	OUT2	Channel 2 power amplifier output
14	POWER MUTE	Power amplifier mute control
15	POWER IN2	Channel 2 power amplifier input. $R_{IN} \approx 30k\Omega$
16	SW OUT2	Channel 2 preamplifier mute-control switched output. $R_{IN} \geq 500k\Omega$
17	PRE OUT2	Channel 2 preamplifier output
18	NF2	Channel 2 preamplifier negative feedback input
19	IN2	Channel 2 preamplifier input
20	VREF	Reference-voltage amplifier output. $I_{max} = \pm 500\mu A$

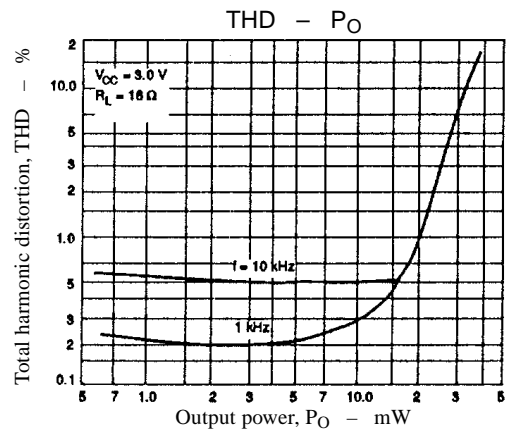
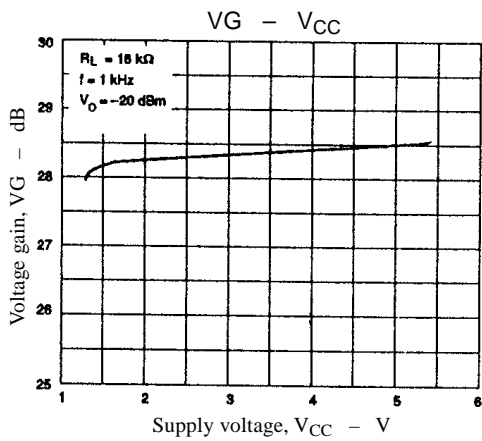
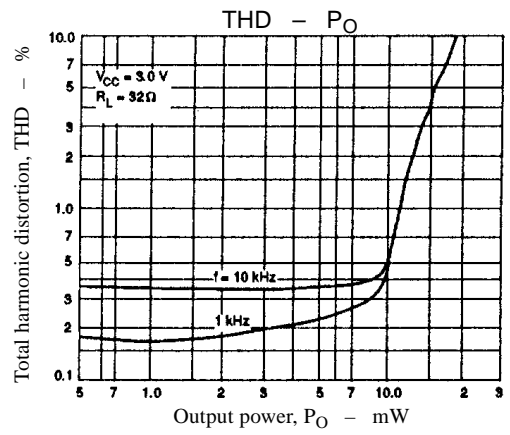
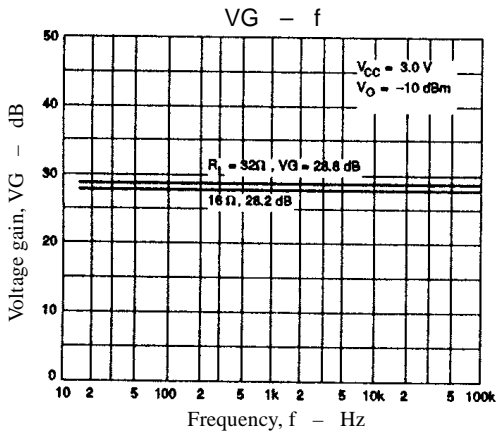
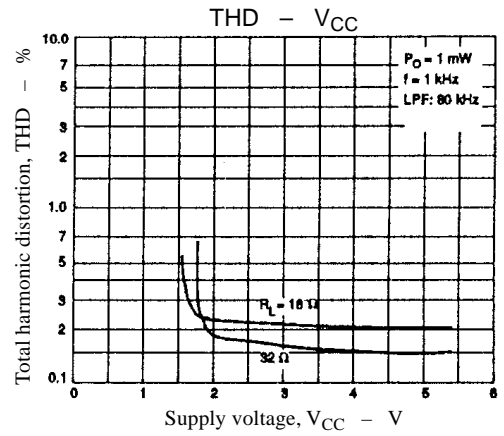
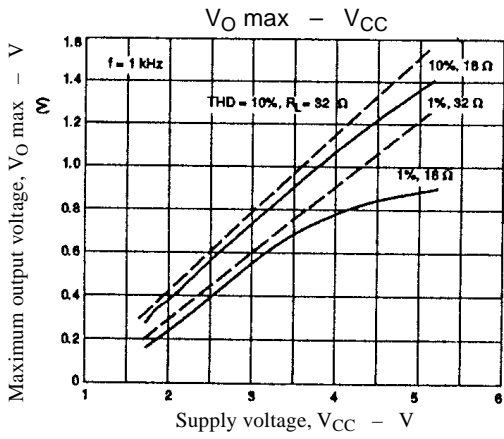
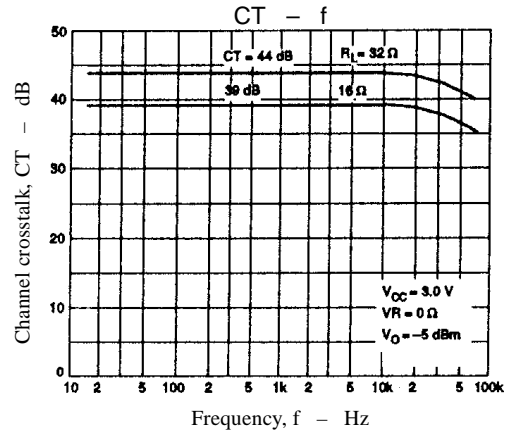
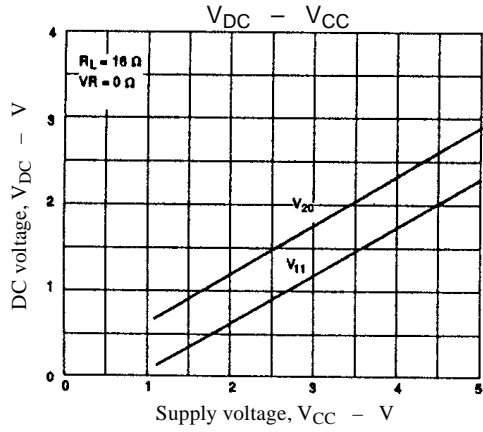
# LA4571MB

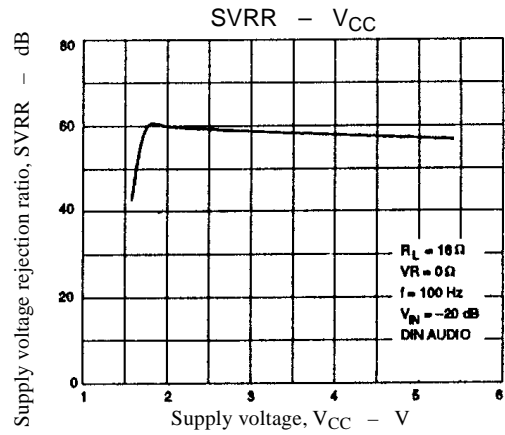
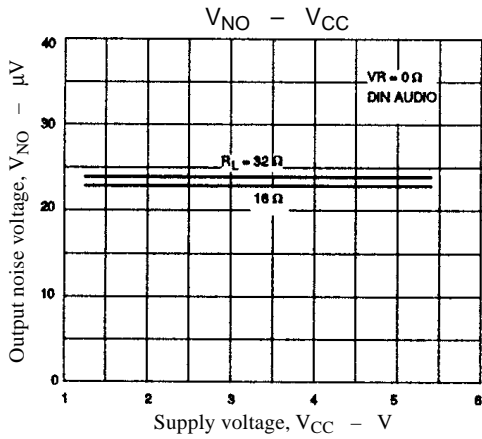
## Test Circuit



# LA4571MB







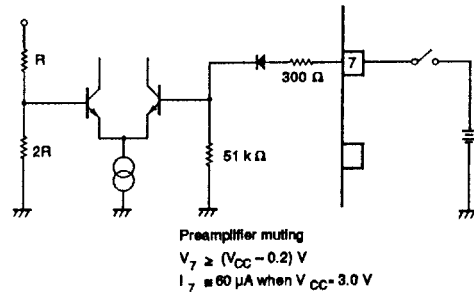
**Functional Description (channl 1 only)**

**Tape Head Preampifier**

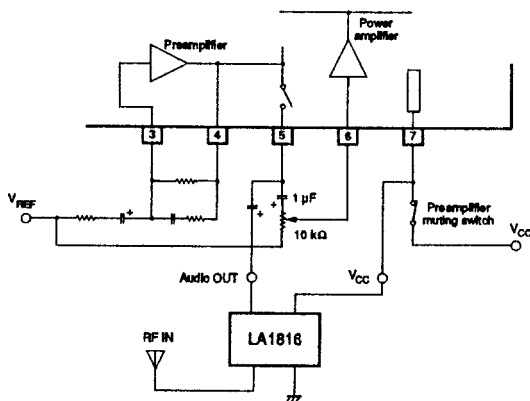
Tape head signal source are connected to the non-inverting input of the op-amp, negative feedback preamplifier.

When PRE MUTE is open, the preamplifier output is connected to SW OUT1, and when PRE MUTE is HIGH ( $V_{CC} \pm 0.2V$  at  $60\mu A$  input current), SW OUT1 is open. This can be used to switch, or mute, the preamplifier output.

The internal circuit of the PRE MUTE pin is shown in the following figure.

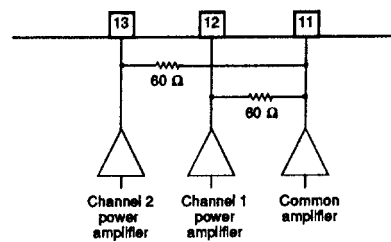


The output pins, PRE OUT1 and SW OUT1, can both drive a  $10k\Omega$  load resistance. The preamplifier input pin, IN1, the negative feedback input pin, NF1, and the output pin, PRE OUT, are biased at 1.8V.



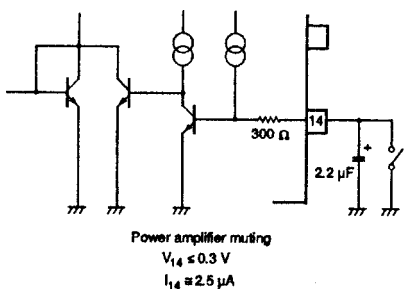
**Power Amplifier**

The power amplifier stage comprises an amplifier for each channel and a common amplifier. The power amplifier outputs are connected internally by  $60\Omega$  resistors to prevent oscillation, as shown in the following figure.



When POWER MUTE is LOW (less than 0.3V at  $2.5\mu A$  input current), the power amplifier output signal is muted. The power amplifier mute release time is set by an external capacitor.

The internal circuit of the POWER MUTE pin is shown in the following figure.



The power amplifier input pin, POWER IN1, is biased at 1.8V, and the output pins at 1.2V

### Design Notes

The preamplifier inputs should be connected to  $V_{REF}$  through a  $2.2\text{k}\Omega$  resistor if there is no tape head input signal source.

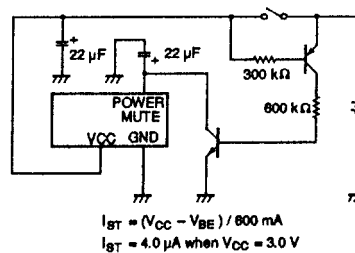
The mute release time capacitor of the power amplifier should be between 1.0 and  $4.7\mu\text{F}$ . For  $V_{CC}=3.0\text{V}$  and  $C=2.2\mu\text{F}$ , the mute release time is 0.7s.

The ripple rejection ratio setting capacitor should be between 2.2 and  $33\mu\text{F}$ . For  $2.2\mu\text{F}$ , the ripple rejection ratio is 35dB, and for  $22\mu\text{F}$ , it is 55dB.

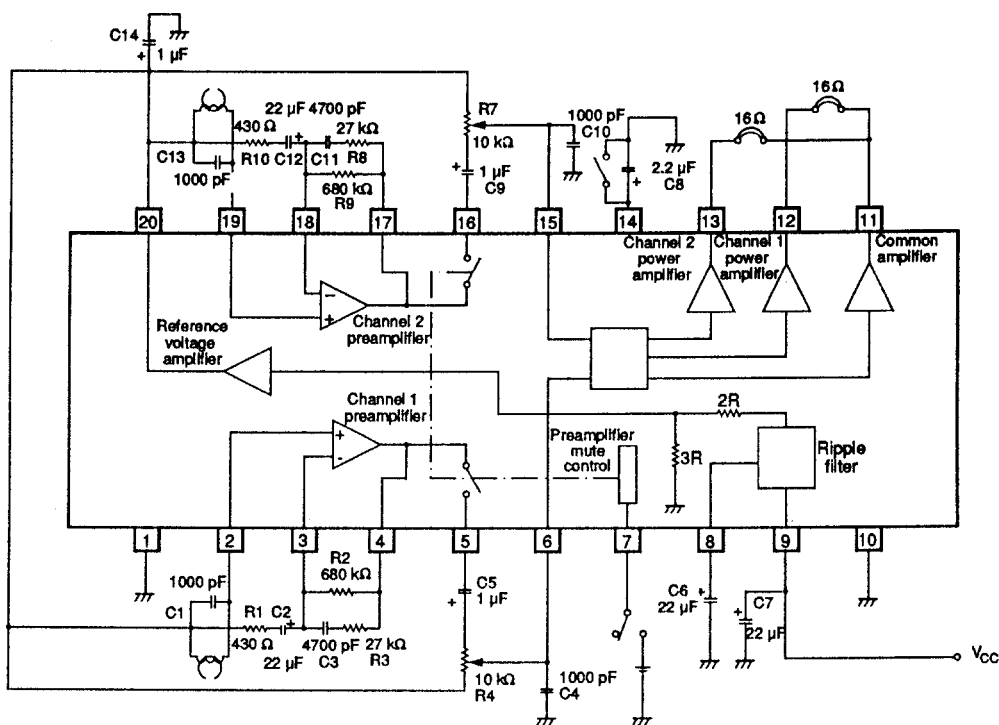
When the output amplifier turns OFF, the protection circuit shown in the following figure detects the falling supply voltage and then mutes the power amplifier to protect the device.

### Reference Voltage

The input to the voltage reference amplifier is a voltage divided level from the supply voltage ripple filter. The reference voltage is given by  $0.6 \times V_{CC}$ . The supply voltage ripple filter requires the connection of an external filter capacitor to RF REF. A large capacitance results in a high ripple rejection ratio. Noise filtering is achieved by the addition of a single capacitor to VREF. Since the reference voltage amplifier has a buffered output, this capacitor can be as low as  $1\mu\text{F}$ .



### Sample Application Circuit





- Specifications of any and all SANYO products described or contained herein stipulate the performance, characteristics, and functions of the described products in the independent state, and are not guarantees of the performance, characteristics, and functions of the described products as mounted in the customer's products or equipment. To verify symptoms and states that cannot be evaluated in an independent device, the customer should always evaluate and test devices mounted in the customer's products or equipment.
- SANYO Electric Co., Ltd. strives to supply high-quality high-reliability products. However, any and all semiconductor products fail with some probability. It is possible that these probabilistic failures could give rise to accidents or events that could endanger human lives, that could give rise to smoke or fire, or that could cause damage to other property. When designing equipment, adopt safety measures so that these kinds of accidents or events cannot occur. Such measures include but are not limited to protective circuits and error prevention circuits for safe design, redundant design, and structural design.
- In the event that any or all SANYO products(including technical data, services) described or contained herein are controlled under any of applicable local export control laws and regulations, such products must not be exported without obtaining the export license from the authorities concerned in accordance with the above law.
- No part of this publication may be reproduced or transmitted in any form or by any means, electronic or mechanical, including photocopying and recording, or any information storage or retrieval system, or otherwise, without the prior written permission of SANYO Electric Co., Ltd.
- Any and all information described or contained herein are subject to change without notice due to product/technology improvement, etc. When designing equipment, refer to the "Delivery Specification" for the SANYO product that you intend to use.
- Information (including circuit diagrams and circuit parameters) herein is for example only ; it is not guaranteed for volume production. SANYO believes information herein is accurate and reliable, but no guarantees are made or implied regarding its use or any infringements of intellectual property rights or other rights of third parties.

This catalog provides information as of April, 2000. Specifications and information herein are subject to change without notice.