



# LA4585M

## 3-V Preamplifier + Power Amplifier for Headphone Stereo Products

### Overview

The LA4585M is a preamplifier plus power amplifier IC that supports auto-reverse and was developed for use in 3-V headphone stereo products.

### Features

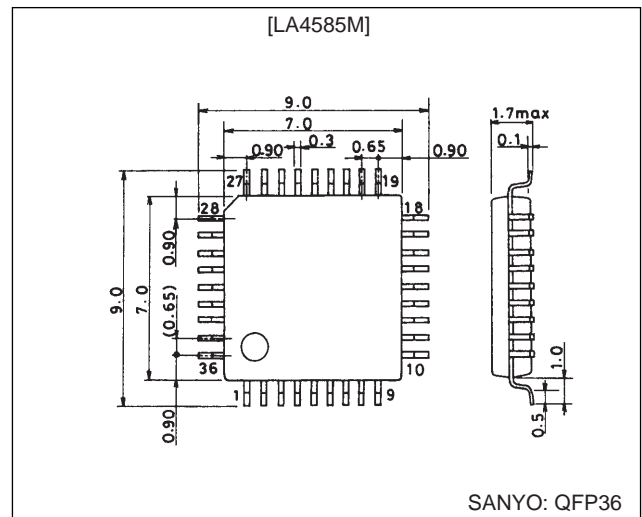
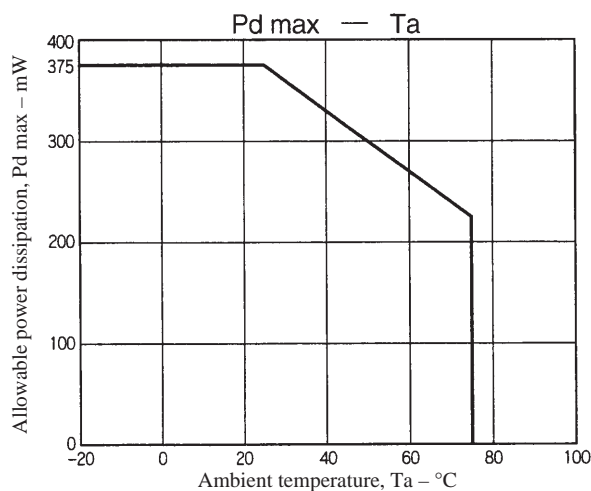
- The LA4585M is designed for use in playback-only compact cassette players. In addition to preamplifier and power amplifier functions, the LA4585M also provides low boost and automatic power output limiter (PVSS:Peak Volume Select System) functions.

- Provided in a mini-flat 36-pin quad package (0.65 mm lead pitch) optimal for miniature end products.
- Two auto-reverse playback preamplifiers
- Two headphone power amplifiers (16 Ω)
- Low boost function (auto-loudness effect)
- Output limiter function (PVSS)
- Two radio input switches (pre-muting switches)
- Power muting switch

### Package Dimensions

unit: mm

#### 3162B-QFP36



### Specifications

#### Maximum Ratings at Ta = 25°C

Parameter	Symbol	Conditions	Ratings	Unit
Maximum supply voltage	V <sub>CC</sub> max		4.5	V
Allowable power dissipation	Pd max		375	mW
Operating temperature	T <sub>opr</sub>		-20 to +75	°C
Storage temperature	T <sub>stg</sub>		-40 to +150	°C

#### Operating Conditions at Ta = 25°C

Parameter	Symbol	Conditions	Ratings	Unit
Recommended supply voltage	V <sub>CC</sub>		3.0	V
Operating supply voltage range	V <sub>CCOP</sub>		1.8 to 3.6	V

**SANYO Electric Co., Ltd. Semiconductor Business Headquarters**

TOKYO OFFICE Tokyo Bldg., 1-10, 1 Chome, Ueno, Taito-ku, TOKYO, 110 JAPAN

## LA4585M

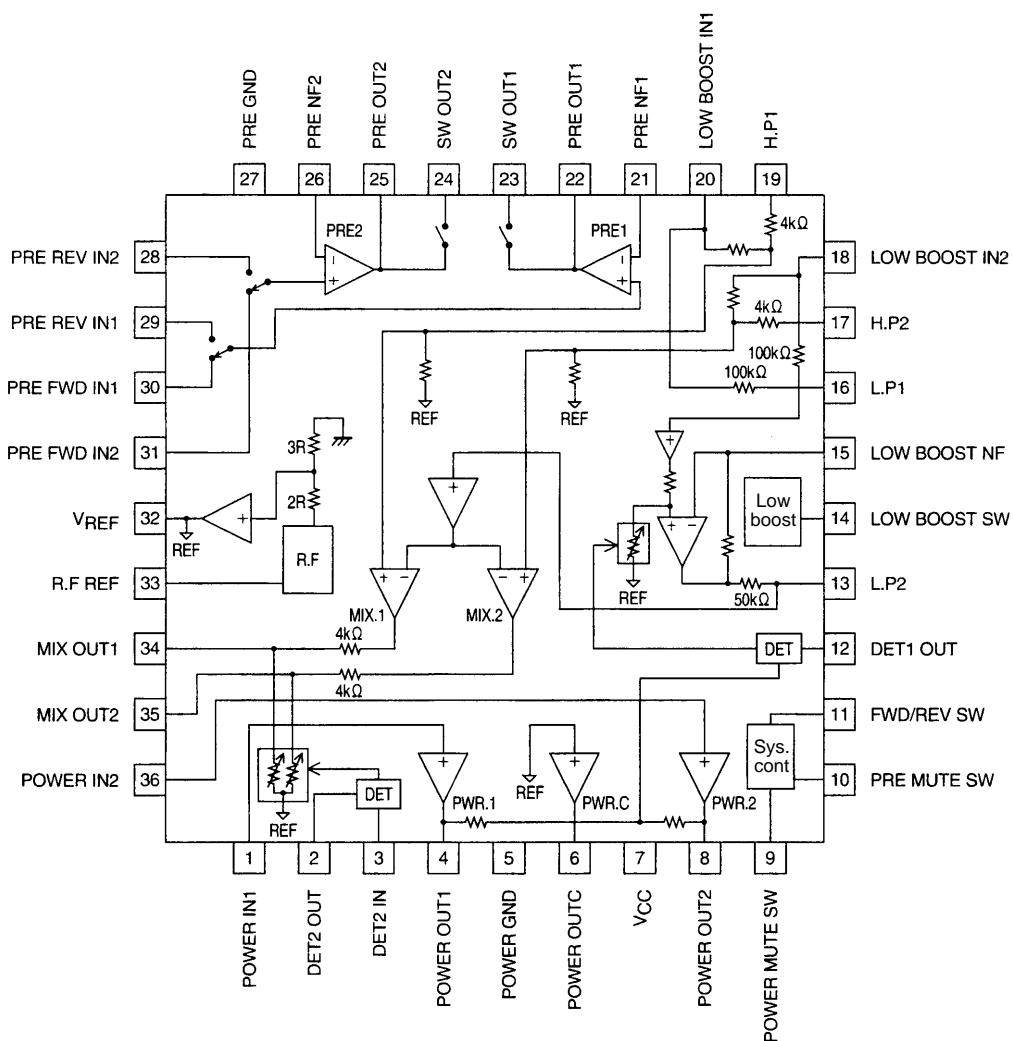
**Operating Characteristics at  $T_a = 25^\circ\text{C}$ ,  $V_{CC} = 3.0\text{ V}$ ,  $f_i = 1\text{ kHz}$ ,  $0.775 = 0\text{ dBm}$ , preamplifier  $R_L = 10\text{ k}\Omega$ , low boost, power amplifier  $R_L = 10\ \Omega$**

Parameter	Symbol	Conditions	Ratings			Unit
			min	typ	max	
[PRE + LOW BOOST + PVSS + PWR]						
Quiescent current	$I_{CCO1}$	$R_g = 2.2\text{ k}\Omega$ , low boost off, PVSS off	12	15	21	mA
	$I_{CCO2}$	$R_g = 2.2\text{ k}\Omega$ , low boost on, PVSS on	12	15	21	$\mu\text{A}$
Voltage gain (closed loop)	$V_{GT}$	$V_O = -5\text{ dBm}$	62	64	67	dB
[PRE AMP]						
Voltage gain (open loop)	$V_{G0}$	$V_O = -5\text{ dBm}$	70	83		dB
Voltage gain (closed loop)	$V_{G1}$	$V_O = -5\text{ dBm}$		40		dB
Maximum output voltage	$V_{O\text{ max}1}$	THD = 1 %, $V_{CC} = 1.8\text{ V}$	0.1	0.2		V
Total harmonic distortion	THD1	$V_O = 0.2\text{ V}$ , $V_G = 40\text{ dB/NAB}$		0.05	0.5	%
Equivalent input noise voltage	$V_{NI}$	$R_g = 2.2\text{ k}\Omega$ , BPF = 20 Hz to 20 kHz		1.3	2.0	$\mu\text{V}$
Crosstalk	CT1	$R_g = 2.2\text{ k}\Omega$ , TUNE 1 kHz	60	80		dB
Ripple rejection ratio	SVRR	$R_g = 2.2\text{ k}\Omega$ , $V_{CC} = 1.8\text{ V}$ , $V_r = -20\text{ dBm}$ , $f_r = 100\text{ Hz}$	40	50		dB
[POWER AMP]						
Output voltage	$P_O$	THD = 10 %	23	34		mW
Voltage gain	$V_{G2}$	$V_O = -5\text{ dBm}$	27	29	32	dB
Total harmonic distortion	THD2	$P_O = 1\text{ mW}$		0.4	1.0	%
Interchannel crosstalk	CT2	$V_O = -5\text{ dBm}$ , $R_V = 0\ \Omega$	30	40		dB
Output noise voltage	$V_{NO1}$	$R_V = 0\ \Omega$ , BPF = 20 Hz to 20 kHz		25	40	$\mu\text{V}$
Ripple rejection ratio	$R_{r2}$	$R_V = 0\ \Omega$ , $V_r = -20\text{ dBm}$ , $f_r = 100\text{ Hz}$ , $V_{CC} = 1.8\text{ V}$	45	55		dB
Input resistance	$R_i$		22	30	38	$\text{k}\Omega$
DC offset voltage	$V_{ODC\text{ OFF}}$	Between pin 6 and pins 4 and 8	-90		+90	mV
[LOW BOOST]						
Voltage gain	$V_{G3}$	$V_i = -30\text{ dBm}$ , boost on/off	-2.3	-3.8	-5.3	dB
Boost*	BST1	$V_{i\text{BST}} = -30\text{ dBm}$ , $f = 100\text{ Hz}$ , boost on	11.2	14.7	18.2	dB
	BST2	$V_{i\text{BST}} = -30\text{ dBm}$ , $f = 10\text{ kHz}$ , boost on	7.0	8.5	10	dB
Maximum output voltage	$V_{O\text{ max}2}$	THD = 1%, boost on	0.25	0.4		V
Total harmonic distortion	THD3	$V_O = 0.1\text{ V}$ , boost on		0.1	0.5	%
Interchannel crosstalk	CT3	$V_O = -20\text{ dBm}$ , $R_g = 0$ , boost on	25	32		dB
Output noise voltage	$V_{NO2}$	$R_g = 0$ , BPF = 20 Hz to 20 kHz, boost on		2.0	5.0	$\mu\text{V}$
Ripple rejection ratio	$R_{r3}$	$R_g = 0$ , $f_R = 100\text{ Hz}$ , $V_R = -20\text{ dBm}$ , $V_{CC} = 1.8\text{ V}$ , boost on	45	53		dB
[LOW BOOST + PVSS + POWER] The following items are measured at an $R_V$ of 10 $\text{k}\Omega$ maximum.						
Voltage gain	$V_{G4}$	$V_i = -40\text{ dBm}$ , $f = 1\text{ kHz}$ , boost off/on	22	24	27	dB
LOW BOOST output voltage	$V_{O1}$	$V_i = -43\text{ dBm}$ , $f = 100\text{ Hz}$ , boost on	0.13	0.23	0.33	V
LOW BOOST output voltage	$V_{O2}$	$V_i = -28\text{ dBm}$ , $f = 100\text{ Hz}$ , boost on	0.25	0.40	0.55	V
LOW BOOST total harmonic distortion	THD4	$V_i = -40\text{ dBm}$ , $f = 100\text{ Hz}$ , boost on		0.5	1.2	%
Output noise voltage	$V_{NO3}$	$R_g = 0$ , CCIR-ARM, boost off, with the power input switch K18 set to B.	-88	-85	-82	dBm
PVSS voltage	$V_{O3}$	$V_i = -40\text{ dBm}$ , PVSS 2	-40	-37	-34	dBm
PVSS width	$W_{PVSS}$	The input amplitude between the start point and the point where the output is +4 dB. PVSS on	30	40		dB
PVSS harmonic distortion	THD5	$V_i = -40\text{ dBm}$ , PVSS 2		0.5	1.2	%
PVSS start input level	$V_{OPi}$	PVSS 2	-67	-63	-59	dBm

Note: \*The amount of boost for a 1-kHz input.

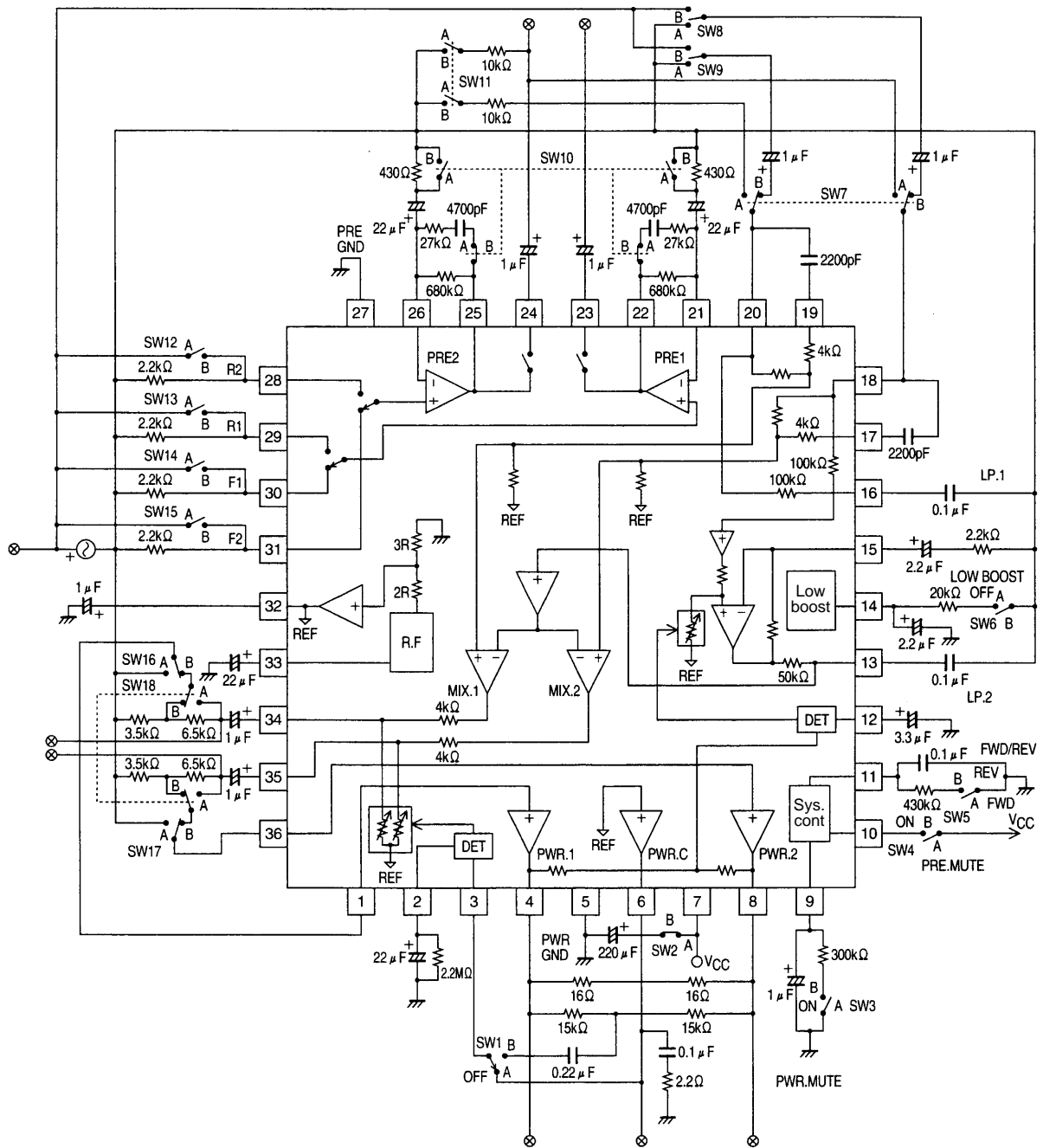
LA4585M

Block Diagram



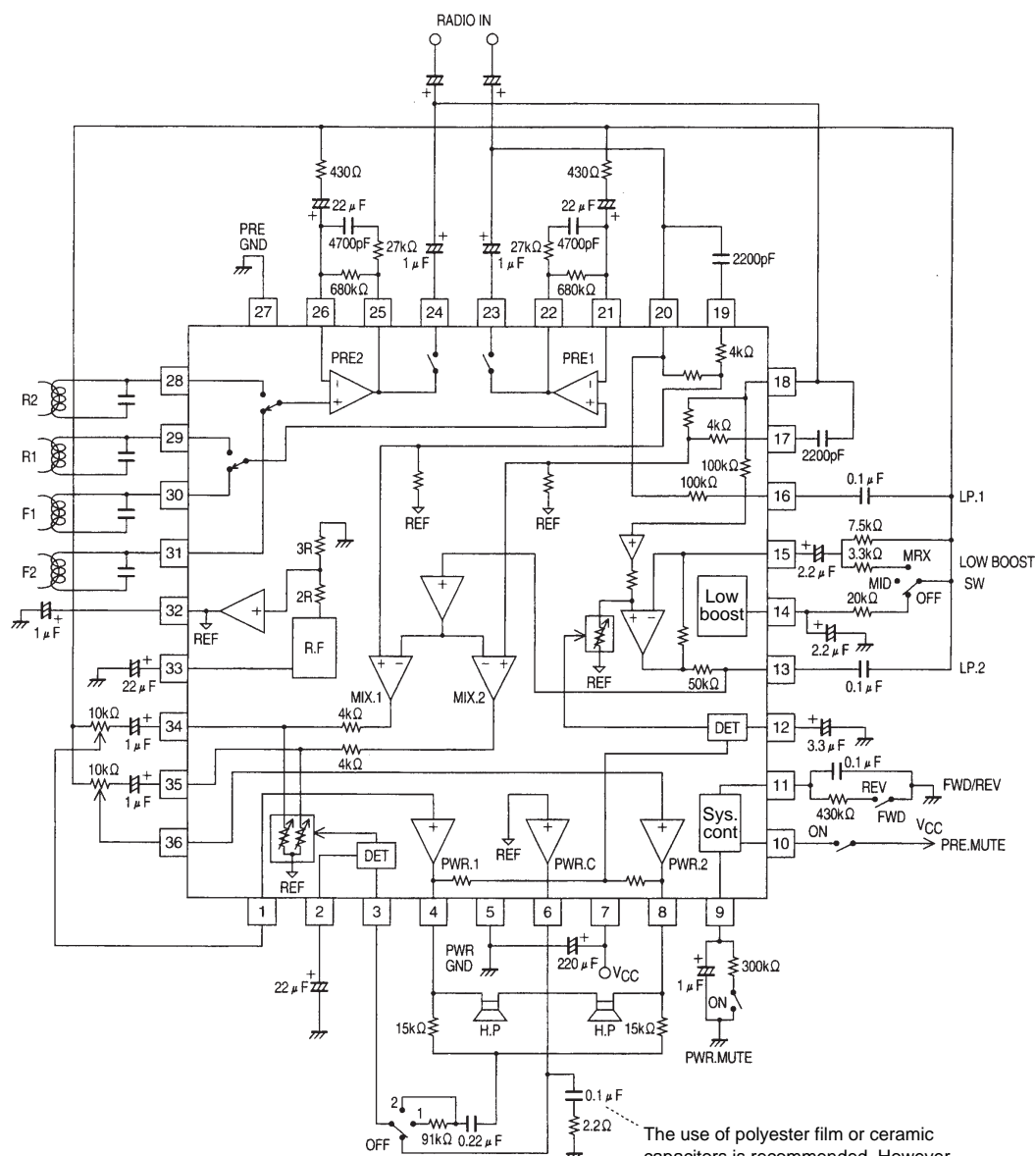
A07376

Test Circuit Diagram



A07375

Sample Application Circuit



The use of polyester film or ceramic capacitors is recommended. However, capacitors whose capacitances are guaranteed for the operating temperature range of the end product should be used.

A07377

- No products described or contained herein are intended for use in surgical implants, life-support systems, aerospace equipment, nuclear power control systems, vehicles, disaster/crime-prevention equipment and the like, the failure of which may directly or indirectly cause injury, death or property loss.
- Anyone purchasing any products described or contained herein for an above-mentioned use shall:
  - ① Accept full responsibility and indemnify and defend SANYO ELECTRIC CO., LTD., its affiliates, subsidiaries and distributors and all their officers and employees, jointly and severally, against any and all claims and litigation and all damages, cost and expenses associated with such use:
  - ② Not impose any responsibility for any fault or negligence which may be cited in any such claim or litigation on SANYO ELECTRIC CO., LTD., its affiliates, subsidiaries and distributors or any of their officers and employees jointly or severally.
- Information (including circuit diagrams and circuit parameters) herein is for example only; it is not guaranteed for volume production. SANYO believes information herein is accurate and reliable, but no guarantees are made or implied regarding its use or any infringements of intellectual property rights or other rights of third parties.

This catalog provides information as of July, 1997. Specifications and information herein are subject to change without notice.