

SANYO**LA4589W****1.5V Stereo Headphone Preamplifier
and Power Amplifier****Overview**

The LA4589W is a 1.5V stereo headphone preamplifier and power amplifier IC that provides all the functions of a complete playback system in a single chip, making it ideal for battery-powered, portable cassette players.

The LA4589W incorporates a metal/normal-tape equalization preamplifier, a power amplifier dual power supply ripple filters, a reference voltage amplifier that enables small-value (under 1 μF) virtual-earth capacitors to be used, and a system controller.

The LA4589W features single-pin control bass boost and forward/reverse playback, an automatic music search (AMS) function, inputs for an auto-reverse tape mechanism, a power amplifier mute function, a power switch, and selectable single or dual ripple filter operation.

The LA4589W operates from a 0.95 to 2.2V supply and is available in 48-pin SQFPs.

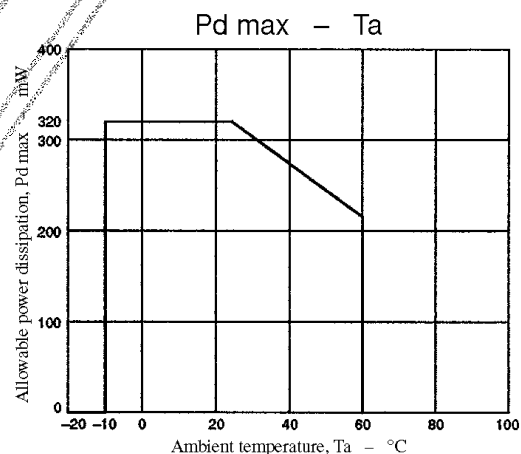
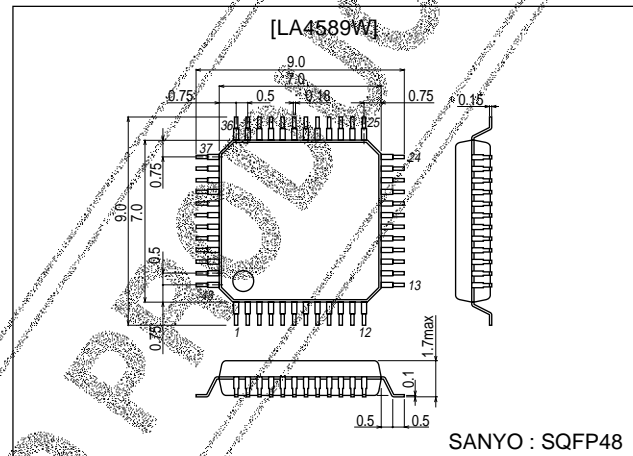
Features

- Single-pin control bass boost.
- Automatic music search (AMS).
- Preamplifier inputs for auto-reverse tape mechanism.
- Single-pin control forward/reverse playback selection.
- Two, on-chip, ripple filters.
- Selectable, single or dual ripple filter operation.
- Metal- and normal-tape modes.
- Power amplifier mute function.
- On-chip reference voltage amplifier.
- No power amplifier output capacitors required.
- 73dB (typ) preamplifier open-loop voltage gain.
- 21mW (typ) output power with bass boost.
- Built-in noise reduction capacitors.
- 0.95 to 2.2V supply.
- 48-pin SQFP.

Package Dimensions

unit:mm

3163A-SQFP48



■ Any and all SANYO products described or contained herein do not have specifications that can handle applications that require extremely high levels of reliability, such as life-support systems, aircraft's control systems, or other applications whose failure can be reasonably expected to result in serious physical and/or material damage. Consult with your SANYO representative nearest you before using any SANYO products described or contained herein in such applications.

■ SANYO assumes no responsibility for equipment failures that result from using products at values that exceed, even momentarily, rated values (such as maximum ratings, operating condition ranges, or other parameters) listed in products specifications of any and all SANYO products described or contained herein.

SANYO Electric Co., Ltd. Semiconductor Company

TOKYO OFFICE Tokyo Bldg., 1-10, 1 Chome, Ueno, Taito-ku, TOKYO, 110-8534 JAPAN

LA4589W

Specifications

Maximum Ratings at Ta = 25°C

Parameter	Symbol	Conditions	Ratings	Unit
Maximum supply voltage	V _{CC} max		3.0	V
Allowable power dissipation	Pd max		320	mW
Operating temperature	Topr		-10 to +60	°C
Storage temperature	Tstg		-40 to +125	°C

Operating Conditions at Ta = 25°C

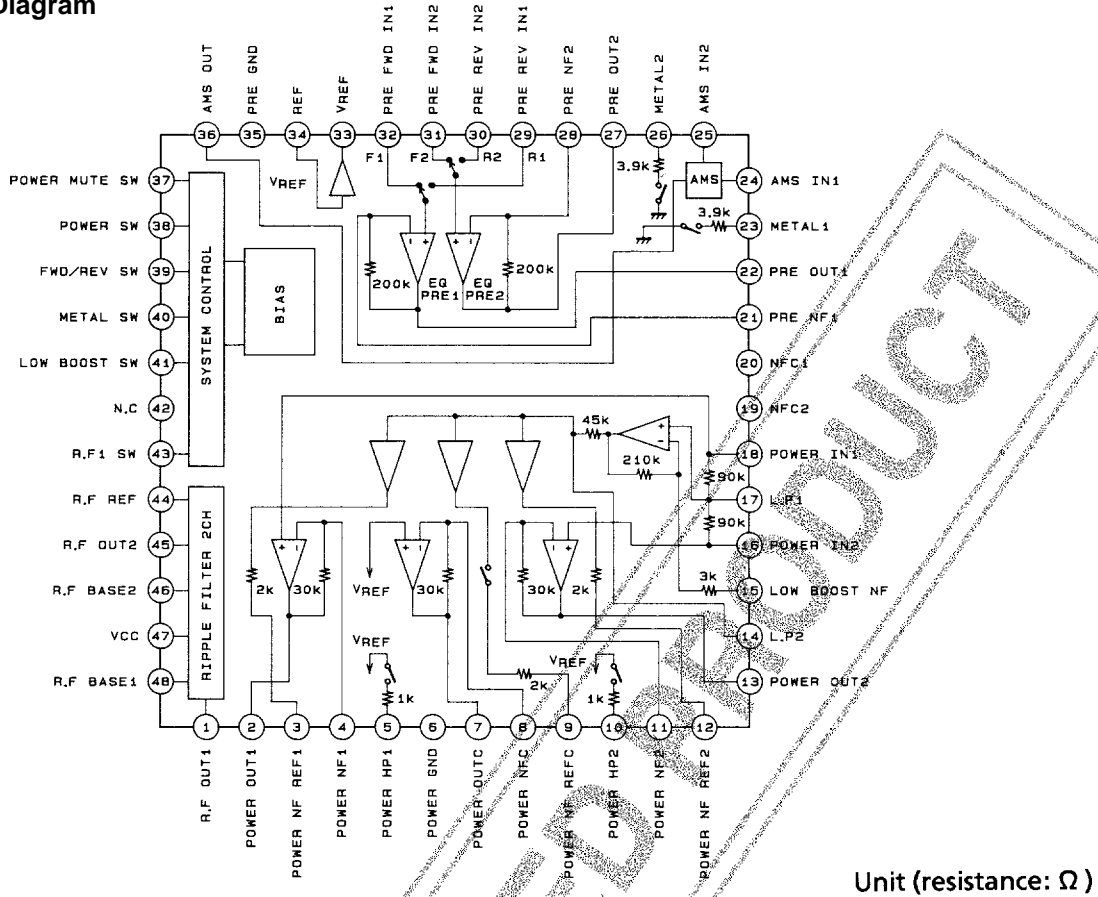
Parameter	Symbol	Conditions	Ratings	Unit
Recommended supply voltage	V _{CC}		1.5	V
Operating voltage	V _{CC} op		0.95 to 2.2	V

Operating Characteristics at Ta = 25°C, V_{CC}=1.2V, f=1kHz, 0dBm=0.775V, R_L=10kΩ (preamplifier), R_L=16Ω (power amplifier)

Parameter	Symbol	Conditions	Ratings			Unit
			min	typ	max	
[Preamplifier and power amplifier]						
Quiescent current	I _{CCO1}	Rg=2.2kΩ, Rv=0Ω	8	15	24	mA
	I _{CCO2}	PSW is OFF.		0.1	5.0	μA
Closed-loop voltage gain	VG _T	V _O =-20dBm, Rv=10kΩ	54	57	60	dB
[Preamplifier]						
Open-loop voltage gain	VG _O	V _O =-20dBm	60	73		dB
Closed-loop voltage gain	VG1	V _O =-20dBm	34.0	35.5	37.0	dB
	VG2	V _O =-20dBm, f=10kHz, METALSW is ON.	25.5	28.0	30.5	dB
Maximum output voltage	V _O max	THD=1%	100	210		mV
Total harmonic distortion	THD ₁	VG=35.5dB/NAB, V _O =100mV		0.1	0.5	%
Equivalent input noise voltage	V _{NI}	Rg=2.2kΩ, 20Hz to 20kHz bandpass filter		1.3	3.0	μV
Crosstalk rejection between channel 1 and channel 2	CT1	Rg=2.2kΩ, V _O =-20dBm, 1kHz tuned filter	45	56		dB
Crosstalk rejectin between forward and reverse tracks	CT2	Rg=2.2kΩ, V _O =-20dBm, f _r =100Hz, 100Hz tuned filter	65	78		dB
Ripple rejection ratio	Rr1	Rg=2.2kΩ, V _O =-30dBm, f _r =100Hz, 100Hz tuned filter	45	52		dB
[Power amplifier with bass boost]						
Closed-loop voltage gain	VG3	V _O =-20dBm	20.5	23.0	25.5	dB
	VG4	V _O =-20dBm, LBSW is ON.	20.5	23.0	25.5	dB
	VG5	V _O =-20dBm, f=10kHz, LBSW is ON.	24.5	27.5	30.5	dB
	VG6	V _O =-20dBm, f=100Hz, LBSW is ON.	30	34	38	dB
Output power	P _{O1}	THD=10%	5	9		mW
	P _{O2}	THD=10%, f=100Hz, LBSW is ON.	13	21		mW
Total harmonic distortion	THD2	P _O =1mW		0.5	1.5	%
Crosstalk rejection between left and right channels	CT3	V _O =-20dBm, Rv=0Ω	38	43		dB
Output noise voltage	V _{NO}	Rv=0Ω, 20Hz to 20kHz bandpass filter		35	48	μV
Ripple rejection ratio	Rr2	Rv=0Ω, V _r =-30dBm, f _r =100Hz, 100Hz tuned filter	50	74		dB
Input impedance	R _I		8	10	12	kΩ
Voltage gain differential	ΔVG3			0	1.5	dB
[Ripple filter]						
Output voltage	V _{RF}	I _{RF} =25mA, V _{CC} =1.0V	0.89	0.93		V
Ripple rejection ratio	Rr3	f _r =100Hz, V _r =-30dBm, V _{CC} =1.0V, I _{RF} =25mA, output transistors with h _{FE} ≥ 6 (2SB1295)	33	39		dB
[Automatic music search (AMS)]						
AMS output voltage	VOAMS	V _{PREOUT1} =6mV	470	570	670	mV

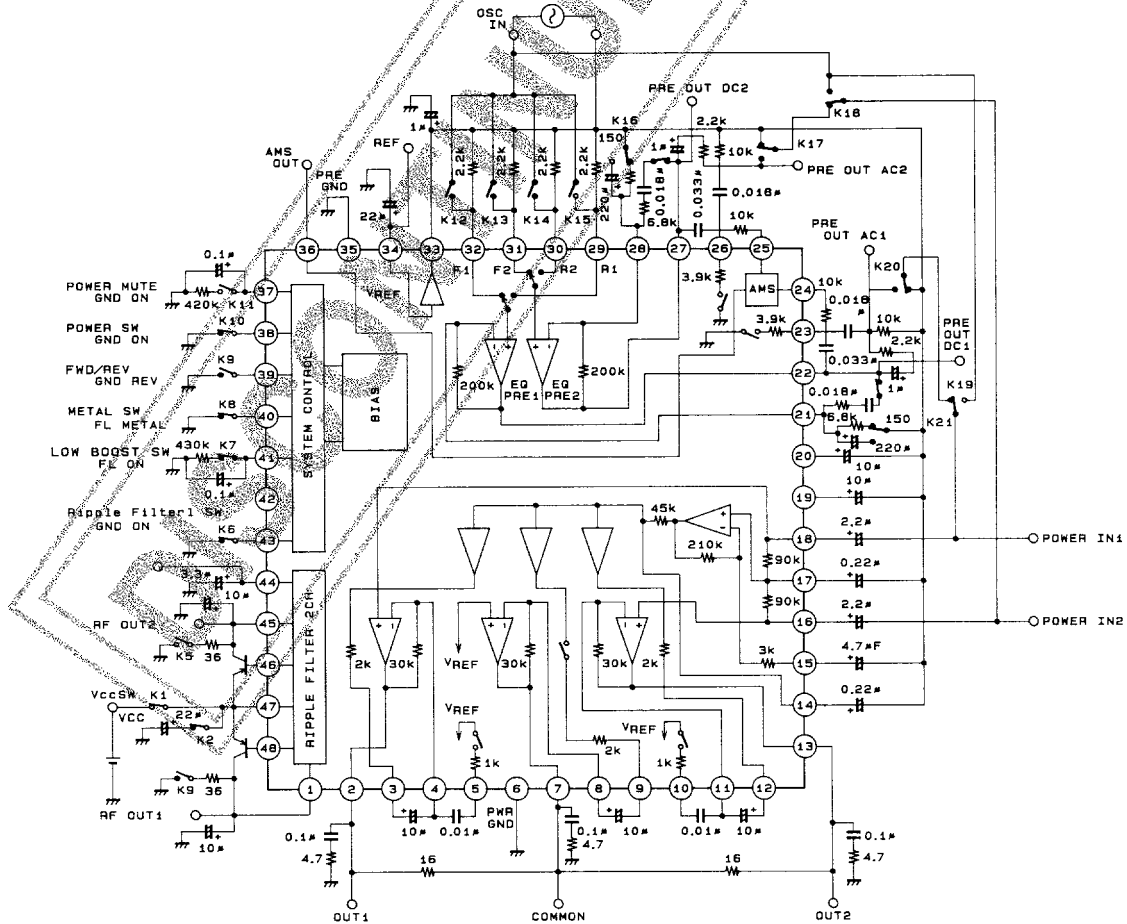
LA4589W

Block Diagram



Unit (resistance: Ω)

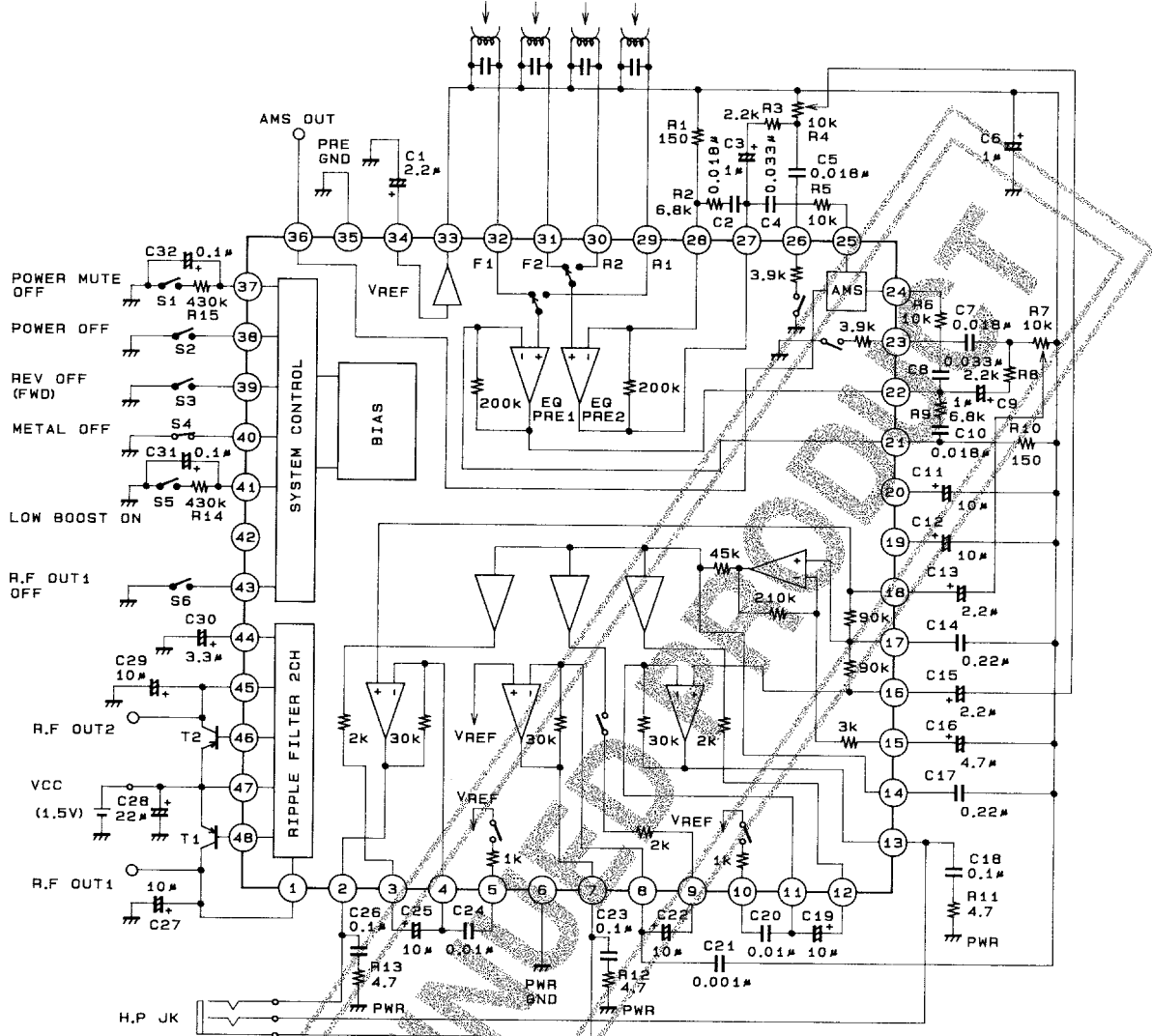
Test Circuit



Unit (resistance: Ω , capacitance: F)

LA4589W

Sample Application Circuit



Unit (resistance: Ω , capacitance: F)

Note : Use the 2SB1295 of hFE rank 6 or higher.

Pin Description

Number	Name	Equivalent circuit	Description
1	RFOUT1		Ripple filter outputs. Nominal voltage is 1.13V
45	RFOUT2		Ripple filter outputs. Nominal voltage is 1.13V
2	POUT1		Power amplifier output 1. Nominal voltage is 0.6V.
7	POUTC		Power amplifier common output. Nominal voltage is 0.6V.
13	POUT2		Power amplifier output 2. Nominal voltage is 0.6V.

Continued on next page.

LA4589W

Continued from preceding page.

Number	Name	Equivalent circuit	Description
3	PNFREF1		Power amplifier output 1 negative feedback reference voltage. Nominal voltage is 0.75V.
9	PNFREFC		Power amplifier common output negative feedback reference voltage. Nominal voltage is 0.75V.
12	PNFREF2		Power amplifier output 2 negative feedback reference voltage. Nominal voltage is 0.75V.
4	PNF1		Power amplifier output 1 negative feedback network connection. Nominal voltage is 0.75V.
8	PNFC		Power amplifier common output negative feedback network connection. Nominal voltage is 0.75V.
11	PNF2		Power amplifier output 2 negative feedback network connection. Nominal voltage is 0.75V.
5	PHP1		Power amplifier highpass filter outputs for bass boost. Nominal voltage is 0.75V.
10	PHP2		
6	PGND		Power amplifier ground.
14	LP2		Bass boost amplifier lowpass filter capacitor connection 2. Nominal voltage is 0.75V.
15	LBNF		Bass boost amplifier negative feedback capacitor connection. Nominal voltage is 0.75V.
16	PIN2		Power amplifier inputs. Nominal voltage is 0.75V.
18	PIN1		

Continued on next page.

LA4589W

Continued from preceding page.

Number	Name	Equivalent circuit	Description
17	LP1		Bass boost amplifier lowpass filter capacitor connection.1. Nominal voltage is 0.75V.
19	NFC2		Negative feedback capacitor connections. Nominal voltage is 0.75V.
20	NFC1		
21	PRENF1		Preamplifier channel 1 negative feedback network connection. Nominal voltage is 0.75V.
28	PRENF2		Preamplifier channel 2 negative feedback network connection. Nominal voltage is 0.75V.
22	PREOUT1		Preamplifier outputs. Nominal voltage is 0.45V.
27	PREOUT2		
23	METAL1		Preamplifier channel 1 metal-tape mode connection. Nominal voltage is 0V.
26	METAL2		Preamplifier channel 2 metal-tape mode connection. Nominal voltage is 0V.
24	AMSIN1		Automatic music search inputs. Nominal voltage is 0.75V.
25	AMSIN2		
29	PRER11		Preamplifier reverse playback inputs. Nominal voltage is 0.75V.
30	PRER12		

Continued on next page.

LA4589W

Continued from preceding page.

Number	Name	Equivalent circuit	Description
31	PREFI2		Preamplifier forward playback inputs. Nominal voltage is 0.75V.
32	PREFI1		
33	VREF		Reference voltage amplifier output. Nominal voltage is 0.75V.
34	REF		
35	PREGND		Preamplifier ground
36	AMSOUT		Automatic music search output.
37	PMUTESW		Power amplifier mute control input.
41	LBSW		Bass boost control input.
38	PSW		Power switch control input.

Continued on next page.

Continued from preceding page.

Number	Name	Equivalent circuit	Description
39	F/RSW		Forward/reverse playback control input.
40	METALSW		Metal-tape mode control input.
43	RF1SW		Ripple filter output 1 control input.
42	NC		No connection.
44	RFREF		Ripple filter capacitor connection. Nominal voltage is 1.13V.
46	RFBASE2		Ripple filter external pnp-transistor 2 base connection. Nominal voltage is 0.5V.
48	RFBASE1		Ripple filter external pnp-transistor 1 base connection. Nominal voltage is 0.5V.
47	V _{CC}		Supply voltage.

Note

Nominal voltages are measured when V_{CC}=1.2V.

Functional Description

Preamplifier

The preamplifier incorporates equalization networks for normal- and metal-tape playback modes, and tape-direction switches for an auto-reverse cassette mechanism.

When METALSW is floating, metal-tape mode is selected. METAL1 and METAL2 are grounded internally through 3.9kΩ resistors, adjusting the negative feedback network to provide metal-tape playback equalization.

When F/RSW is floating, forward playback mode is selected, and PREFI1 and PREFI2 are connected to the preamplifier inputs. When F/RSW is grounded, reverse playback mode is selected, and PRERI1 and PRERI2 are connected to the preamplifier inputs.

The automatic music search (AMS) circuit generates a signal that controls the cassette mechanism fast-forward and reverse functions in response to pauses between music tracks. The signal on AMSOUT is a pulse wave whose amplitude varies with the input signal levels on AMSIN1 and AMSIN2.

Power Amplifier

The power amplifier incorporates an additional amplifier to provide bass boost and mute functions.

When LBSW is floating, the bass boost function is selected. PHP1 and PHP2 are connected to VREF through 1kΩ internal resistors, adjusting the negative feedback network to provide highpass filtering.

When PMUTESW is grounded, the power amplifier mute function is selected.

Ripple Filter

The ripple filters can be configured for either single or dual-filter operation. When RF1SW is grounded, the ripple filters are configured for dual-filter operation and RFOUT1 is active.

External Components Required

Component	Recommended value	Description
C1	1.0 to 10 μ F	Reference voltage amplifier decoupling capacitor. Decreasing the capacitance reduces the supply voltage ripple rejection ratio.
C2, C10	–	Preamplifier equalization RC network capacitors.
C3, C9	0.47 to 3.3 μ F	Preamplifier output capacitors.
C4, C8	–	AMS input highpass filter RC network capacitors.
C5, C7	–	Metal-tape equalization RC network capacitors.
C6	0.1 to 22 μ F	Reference voltage decoupling capacitor. Reduces high-band noise.
C11, C12	3.3 to 10 μ F	NFC decoupling capacitors. Decreasing the capacitance reduces the preamplifier low-band gain.
C13, C15	1.0 to 3.3 μ F	Power amplifier input capacitors.
C14, C17	–	Low-boost lowpass filter and amplifier gain adjust capacitors.
C16	1.0 to 4.7 μ F	Bass boost amplifier negative feedback capacitor. Decreasing the capacitance reduces the low-band gain.
C18, C23, C26	0.1 to 1.0 μ F	Power amplifier output oscillation-damping RC network capacitors.
C19, C22, C25	3.3 to 10.0 μ F	Power amplifier negative feedback capacitors. Decreasing the capacitance reduces the low-band gain.
C20, C24	–	Power amplifier highpass filter high-band gain adjust capacitors (bass-boost only).
C21	100 to 2200pF	Smoothing capacitor.
C27, C29	4.7 to 10 μ F	Ripple filter output decoupling capacitors.
C28	22 to 220 μ F	Power supply capacitor.
C30	2.2 to 10.0 μ F	Ripple filter capacitor.
C31, C32	0.047 to 0.22 μ F	Switching noise filter capacitors.
R1, R10	–	Preamplifier gain adjust resistors.
R2, R9	–	Preamplifier equalization RC network resistors.
R3, R8	–	Metal-tape preamplifier equalization RC network resistors.
R4, R7	10k Ω variable	Volume control resistors.
R5, R6	–	Automatic music search (AMS) highpass filter and gain adjust resistors.
R11, R12, R13	–	Power amplifier output oscillation-damping RC network resistors.
R14, R15	100 to 430k Ω	Switching noise filter resistors.

- Specifications of any and all SANYO products described or contained herein stipulate the performance, characteristics, and functions of the described products in the independent state, and are not guarantees of the performance, characteristics, and functions of the described products as mounted in the customer's products or equipment. To verify symptoms and states that cannot be evaluated in an independent device, the customer should always evaluate and test devices mounted in the customer's products or equipment.
- SANYO Electric Co., Ltd. strives to supply high-quality high-reliability products. However, any and all semiconductor products fail with some probability. It is possible that these probabilistic failures could give rise to accidents or events that could endanger human lives, that could give rise to smoke or fire, or that could cause damage to other property. When designing equipment, adopt safety measures so that these kinds of accidents or events cannot occur. Such measures include but are not limited to protective circuits and error prevention circuits for safe design, redundant design, and structural design.
- In the event that any or all SANYO products (including technical data, services) described or contained herein are controlled under any of applicable local export control laws and regulations, such products must not be exported without obtaining the export license from the authorities concerned in accordance with the above law.
- No part of this publication may be reproduced or transmitted in any form or by any means, electronic or mechanical, including photocopying and recording, or any information storage or retrieval system, or otherwise, without the prior written permission of SANYO Electric Co., Ltd.
- Any and all information described or contained herein are subject to change without notice due to product technology improvement, etc. When designing equipment, refer to the "Delivery Specification" for the SANYO product that you intend to use.
- Information (including circuit diagrams and circuit parameters) herein is for example only ; it is not guaranteed for volume production. SANYO believes information herein is accurate and reliable, but no guarantees are made or implied regarding its use or any infringements of intellectual property rights or other rights of third parties.

This catalog provides information as of March, 2000. Specifications and information herein are subject to change without notice.