



SANYO Semiconductors

DATA SHEET

LA79107V

Monolithic Linear IC
For TV and VCR 3-band Tuners
Mixers/oscillators

Overview

This LA79107V is a mixers/oscillators for TV and VCR 3-band tuners.

Functions

- 3 Mixers
- 3 Oscillators
- IFout is balanced output
- Local OSC has balanced output

Specifications

Maximum Ratings at Ta = 25°C

Parameter	Symbol	Conditions	Ratings	Unit
Maximum supply voltage	V _{CC} max		7	V
Allowable power dissipation	Pd max	Ta ≤ 70°C	455	mW
Operating temperature	Topr		-20 to +70	°C
Storage temperature	Tstg		-55 to +150	°C

Recommended Operating Conditions at Ta = 25°C

Parameter	Symbol	Conditions	Ratings	Unit
Recommending supply voltage	V _{CC}		5	V
Operating supply voltage range	V _{CC} op		4.5 to 5.5	V

■ Any and all SANYO Semiconductor products described or contained herein do not have specifications that can handle applications that require extremely high levels of reliability, such as life-support systems, aircraft's control systems, or other applications whose failure can be reasonably expected to result in serious physical and/or material damage. Consult with your SANYO Semiconductor representative nearest you before using any SANYO Semiconductor products described or contained herein in such applications.

■ SANYO Semiconductor assumes no responsibility for equipment failures that result from using products at values that exceed, even momentarily, rated values (such as maximum ratings, operating condition ranges, or other parameters) listed in products specifications of any and all SANYO Semiconductor products described or contained herein.

SANYO Semiconductor Co., Ltd.

TOKYO OFFICE Tokyo Bldg., 1-10, 1 Chome, Ueno, Taito-ku, TOKYO, 110-8534 JAPAN

LA79107V

Electrical Characteristics at $T_a = 25^\circ\text{C}$, $V_{CC} = 5\text{V}$

Parameter	Symbol	Conditions	Ratings			Unit
			min	typ	max	
Current dissipation	I_{CC1}	VHF-L operation	51	59	67	mA
	I_{CC2}	VHF-H operation	54	62	70	mA
	I_{CC3}	UHF operation	54.5	62.5	70.5	mA
Voltage gain *1	CG1	$f_{RF} = 50\text{MHz}$, VHF-L	21.5	24	26.5	dB
	CG2	$f_{RF} = 170\text{MHz}$, VHF-L	22.5	25	27.5	dB
	CG3	$f_{RF} = 170\text{MHz}$, VHF-H	22.5	25.5	28.5	dB
	CG4	$f_{RF} = 450\text{MHz}$, VHF-H	19	22	25	dB
	CG5	$f_{RF} = 450\text{MHz}$, UHF	20	23	26	dB
	CG6	$f_{RF} = 860\text{MHz}$, UHF	15	18	21	dB
Noise figure *1, 2	NF1	$f_{RF} = 50\text{MHz}$, VHF-L		12	13	dB
	NF2	$f_{RF} = 170\text{MHz}$, VHF-L		12	13	dB
	NF3	$f_{RF} = 170\text{MHz}$, VHF-H		11	13	dB
	NF4	$f_{RF} = 450\text{MHz}$, VHF-H		11	13	dB
	NF5	$f_{RF} = 450\text{MHz}$, UHF		12.5	14.5	dB
	NF6	$f_{RF} = 860\text{MHz}$, UHF		12.5	14.5	dB
Output voltage causing 1% cross modulation in channel *1, 3	CM1	$f_{RF} = 50\text{MHz}$, VHF-L	83	86		dB μ
	CM2	$f_{RF} = 170\text{MHz}$, VHF-L	83	85		dB μ
	CM3	$f_{RF} = 170\text{MHz}$, VHF-H	90	93		dB μ
	CM4	$f_{RF} = 450\text{MHz}$, VHF-H	88	91		dB μ
	CM5	$f_{RF} = 450\text{MHz}$, UHF	86	89		dB μ
	CM6	$f_{RF} = 860\text{MHz}$, UHF	93	96		dB μ
Maximum output power	$P_O \text{ max}$			8		dBm
Switch on oscillator frequency drift *4	Δf_{sw1}	VHF-L $f_{OSC} = 100\text{MHz}$			± 300	kHz
	Δf_{sw2}	VHF-L $f_{OSC} = 220\text{MHz}$			± 400	kHz
	Δf_{sw3}	VHF-H $f_{OSC} = 220\text{MHz}$			± 300	kHz
	Δf_{sw4}	VHF-H $f_{OSC} = 500\text{MHz}$			± 400	kHz
	Δf_{sw5}	UHF $f_{OSC} = 500\text{MHz}$			± 400	kHz
	Δf_{sw6}	UHF $f_{OSC} = 910\text{MHz}$			± 500	kHz
Supply voltage oscillator frequency drift *5	Δf_{st1}	VHF-L $f_{OSC} = 100\text{MHz}$			± 150	kHz
	Δf_{st2}	VHF-L $f_{OSC} = 220\text{MHz}$			± 250	kHz
	Δf_{st3}	VHF-H $f_{OSC} = 220\text{MHz}$			± 150	kHz
	Δf_{st4}	VHF-H $f_{OSC} = 500\text{MHz}$			± 250	kHz
	Δf_{st5}	UHF $f_{OSC} = 500\text{MHz}$			± 150	kHz
	Δf_{st6}	UHF $f_{OSC} = 910\text{MHz}$			± 250	kHz
Voltage on band switching	VBS1	VHF-L band select	0		0.9	V
	VBS2	VHF-H band select	1.3		2.35	V
	VBS3	UHF band select	2.75		5	V

*1 Measured value for untuned inputs.

*2 Noise figure is the direct-reading value of NF meter in DSB.

*3 Desired signal (f_D) input level is -30dBm. Undesired signal (f_{UD}) is 100kHz, 30%AM at $\pm 12\text{MHz}$.

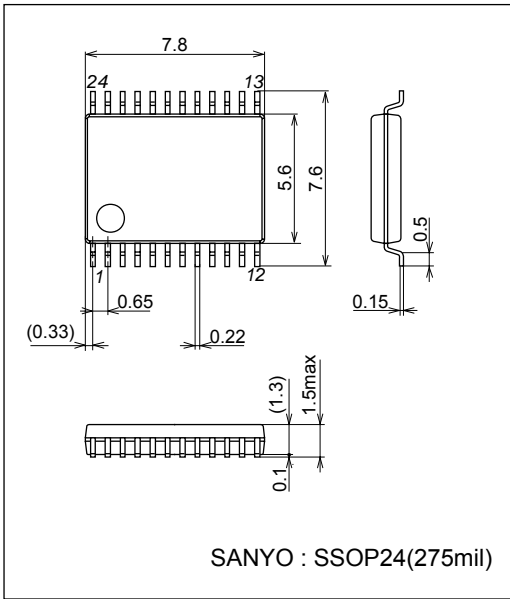
*4 Δf from 3s to 3min after switch on.

*5 Δf when V_{CC} 5V change $\pm 5\%$.

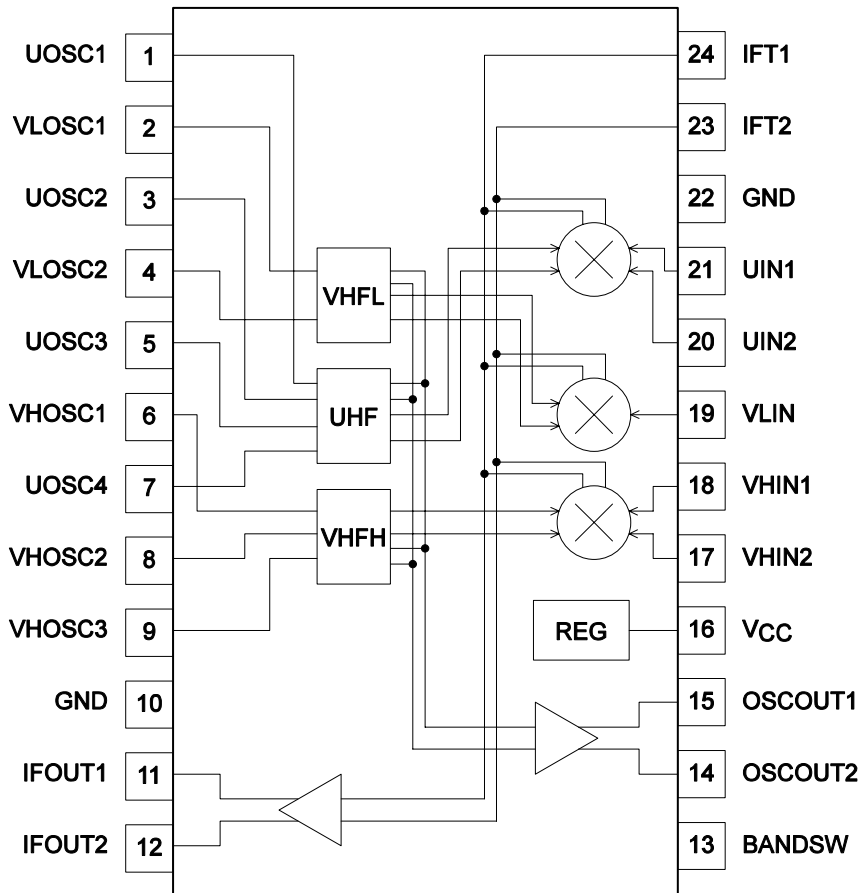
Note) This IC puts the priority on the high frequency characteristics, so that it should be handled with care to prevent electrostatic discharge damage.

Package Dimensions

unit : mm
3175C



Block Diagram



LA79107V

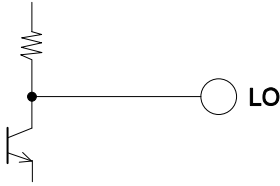
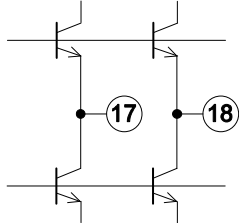
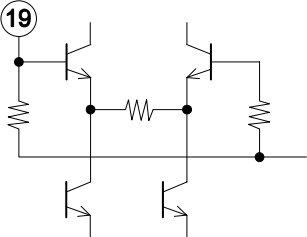
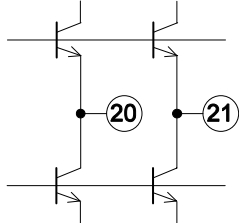
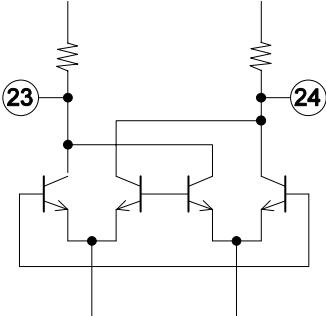
Pin equivalent circuit

Pin No.	Pin name	VHF_L	VHF_H	UHF	Equivalent Circuit
1 3 5 7	UOSC_B2 UOSC_C2 UOSC_C1 UOSC_B1	.		2.0 2.7 2.7 2.0	
2 4	VLOSC_B VLOSC_C	2.0 2.4			
6 8 9	VHOSC_B VHOSC_C2 VHOSC_C1		2.0 2.6 2.6		
10	OSGND				
11 12	IFOUT2 IFOUT1	2.0 2.0	2.0 2.0	2.0 2.0	
13	BAND_SW				

Continued on next page.

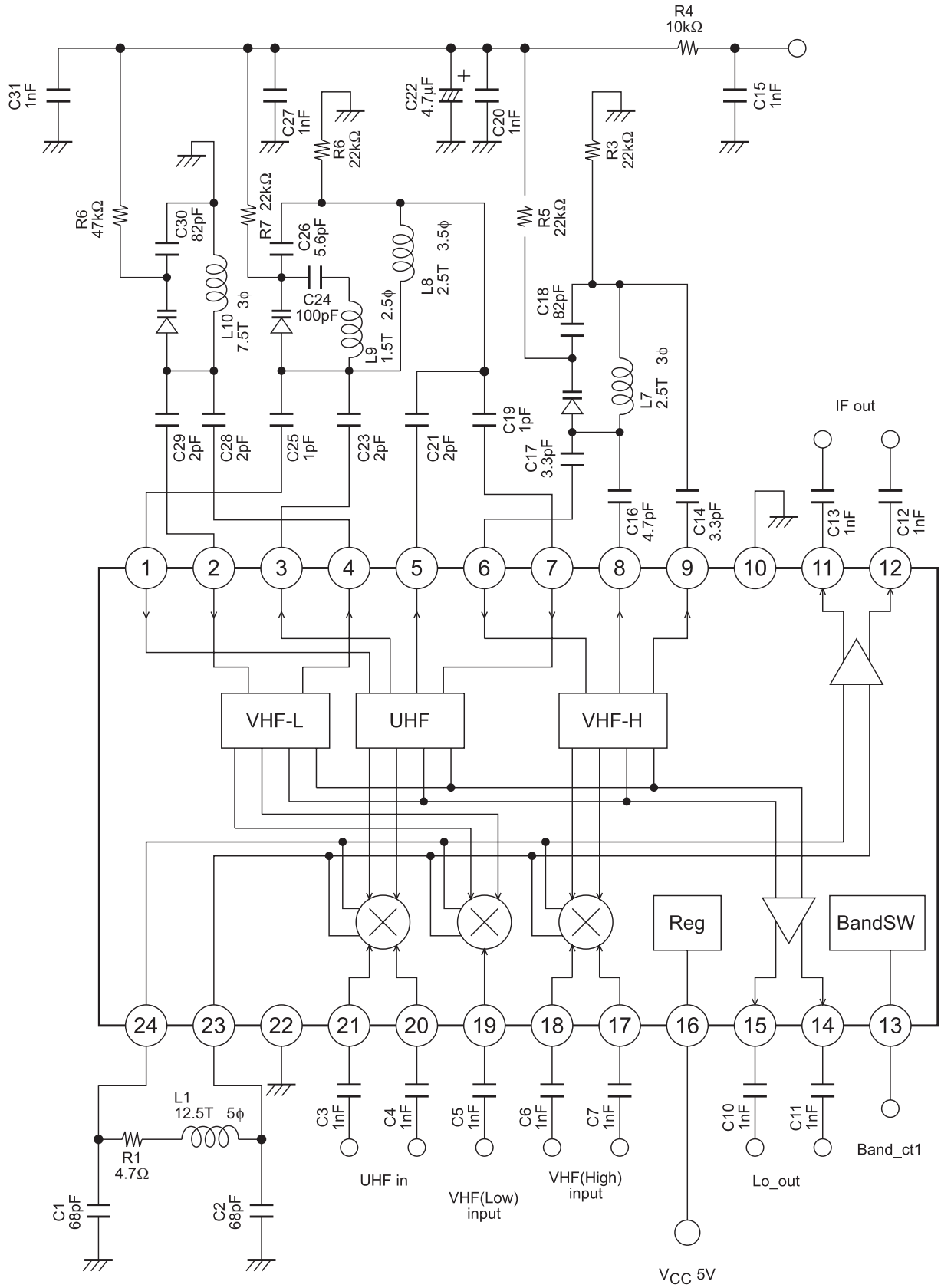
LA79107V

Continued from preceding page.

Pin No.	Pin name	VHF_L	VHF_H	UHF	Equivalent Circuit
14 15	LO2 LO1	3.6 3.6	3.6 3.6	3.6 3.6	
16	V _{CC}	5.0	5.0	5.0	
17 18	VHF_H_IN2 VHF_H_IN1		1.1 1.1		
19	VHF_L_IN	1.8			
20 21	UHF_IN2 UHF_IN1			1.1 1.1	
22	MIXGND				
23 24	MIXOUT2 MIXOUT1	4.3 4.3	3.4 3.4	3.4 3.4	

LA79107V

Measurement Circuit



- Specifications of any and all SANYO Semiconductor products described or contained herein stipulate the performance, characteristics, and functions of the described products in the independent state, and are not guarantees of the performance, characteristics, and functions of the described products as mounted in the customer's products or equipment. To verify symptoms and states that cannot be evaluated in an independent device, the customer should always evaluate and test devices mounted in the customer's products or equipment.
- SANYO Semiconductor Co., Ltd. strives to supply high-quality high-reliability products. However, any and all semiconductor products fail with some probability. It is possible that these probabilistic failures could give rise to accidents or events that could endanger human lives, that could give rise to smoke or fire, or that could cause damage to other property. When designing equipment, adopt safety measures so that these kinds of accidents or events cannot occur. Such measures include but are not limited to protective circuits and error prevention circuits for safe design, redundant design, and structural design.
- In the event that any or all SANYO Semiconductor products (including technical data, services) described or contained herein are controlled under any of applicable local export control laws and regulations, such products must not be exported without obtaining the export license from the authorities concerned in accordance with the above law.
- No part of this publication may be reproduced or transmitted in any form or by any means, electronic or mechanical, including photocopying and recording, or any information storage or retrieval system, of otherwise, without the prior written permission of SANYO Semiconductor Co., Ltd.
- Any and all information described or contained herein are subject to change without notice due to product/technology improvement, etc. When designing equipment, refer to the "Delivery Specification" for the SANYO Semiconductor product that you intend to use.
- Information (including circuit diagrams and circuit parameters) herein is for example only; it is not guaranteed for volume production. SANYO Semiconductor believes information herein is accurate and reliable, but no guarantees are made or implied regarding its use or any infringements of intellectual property rights or other rights of third parties.

This catalog provides information as of November, 2006. Specifications and information herein are subject to change without notice.