



No.3795A

LA8615M, LA8615V

**Narrowband FM IF Amplifiers
for Pager Receivers**

OVERVIEW

The LA8615M and LA8615V are narrowband FM IF amplifier and detector ICs that feature extremely low power consumption, making them ideal for pager receivers.

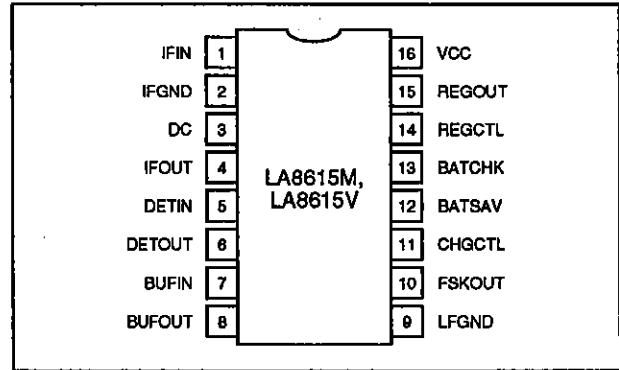
The LA8615M and LA8615V incorporate an IF amplifier, an adjustment-free quadrature detector, a buffer amplifier for a lowpass filter, a frequency-shift key (FSK) wave shaper with threshold hold circuitry, battery save and check functions and a voltage regulator.

The LA8615M and LA8615V operate from a 1.0 to 5.0 V supply and are available in 16-pin MFPs and 16-pin SSOPs, respectively.

FEATURES

- Narrowband IF amplifier
- Adjustment-free quadrature detector
- Buffer amplifier for lowpass filter
- FSK wave shaper
- Threshold hold circuitry
- Battery save function
- Battery check function
- 1.0 V regulator
- 700 μ A supply current
- 1.0 to 5.0 V supply
- 16-pin MFP (LA8615M) and 16-pin SSOP (LA8615V)

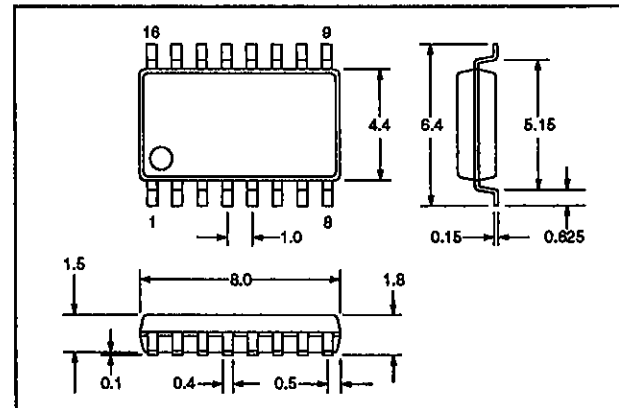
PINOUT



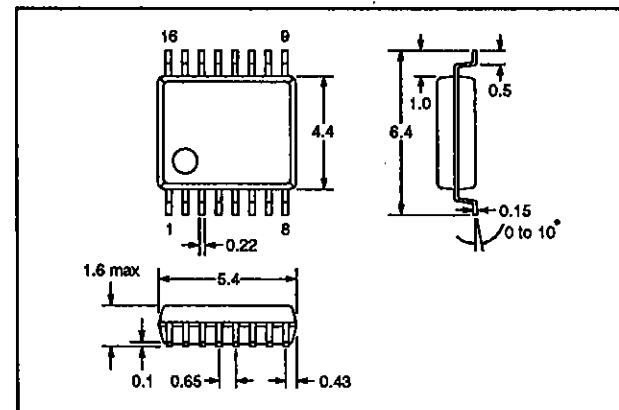
PACKAGE DIMENSIONS

Unit: mm

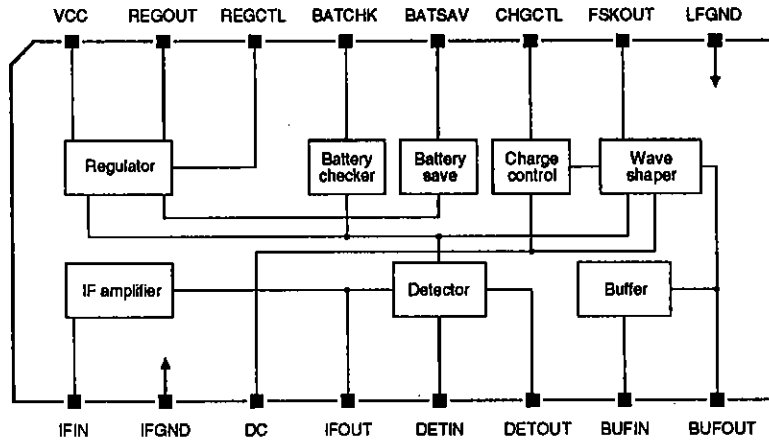
3161-MFP16S (LA8615M)



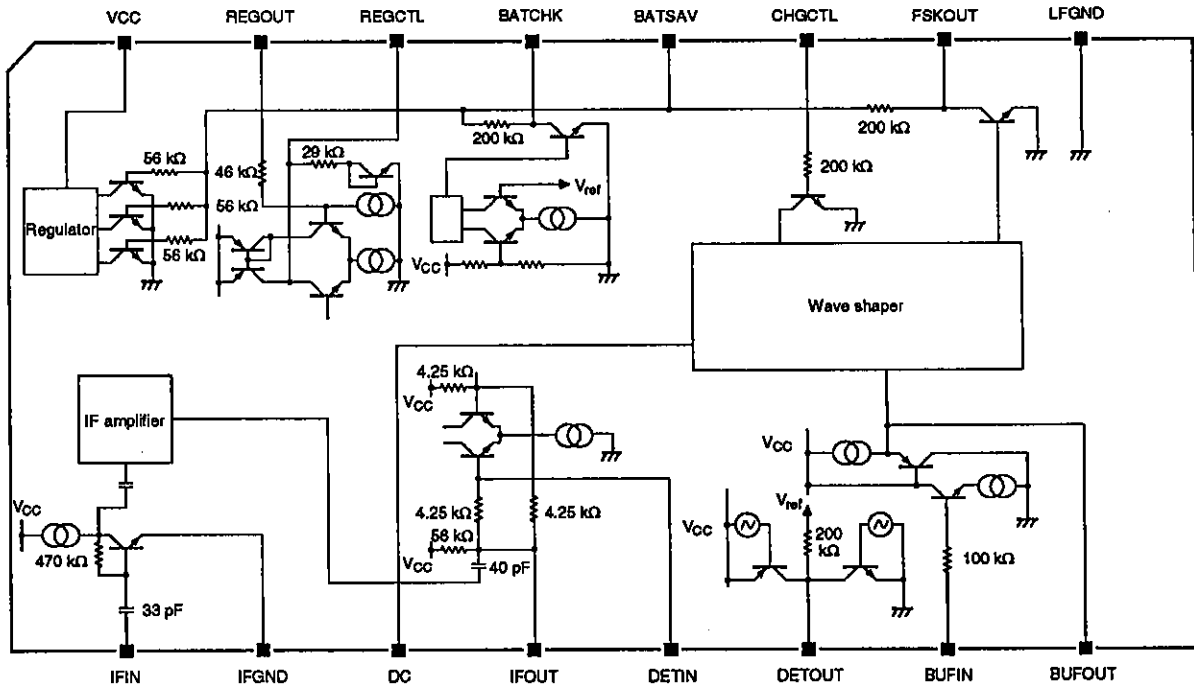
3178-SSOP16 (LA8615V)



BLOCK DIAGRAM



SCHEMATIC DIAGRAM



PIN DESCRIPTION

Number	Name	Description
1	IFIN	IF signal input
2	IFGND	IF ground
3	DC	Detector center voltage capacitor connection. Nominal voltage is 0.8 V.
4	IFOUT	IF output. Nominal voltage is 1.4 V.
5	DETIN	Detector input. Nominal voltage is 1.4 V.
6	DETOU	Detector output. Nominal voltage is 0.8 V.
7	BUFIN	Buffer amplifier input. Nominal voltage is 0.8 V.
8	BUFOU	Buffer amplifier output. Nominal voltage is 0.8 V.
9	LFGND	LF ground
10	FSKOUT	Frequency-shift key wave shaper output. Nominal voltage is 0 or 1.4 V.
11	CHGCTL	Charge control input
12	BATSAV	Battery save control input
13	BATCHK	Battery checker output. Nominal voltage is 0 or 1.4 V.
14	REGCTL	Regulator transistor control. Nominal voltage is 0.7 V.
15	REGOUT	Regulator output sense input. Nominal voltage is 1.0 V.
16	VCC	1.0 to 5.0 V supply

SPECIFICATIONS**Absolute Maximum Ratings**

Parameter	Symbol	Rating	Unit
Supply voltage	V _{CC}	6	V
BATSAV input voltage	V _I	6	V
Power dissipation	P _D	300	mW
Operating temperature range	T _{opr}	-20 to 70	°C
Storage temperature range	T _{stg}	-40 to 125	°C

Recommended Operating ConditionsT_a = 25 °C

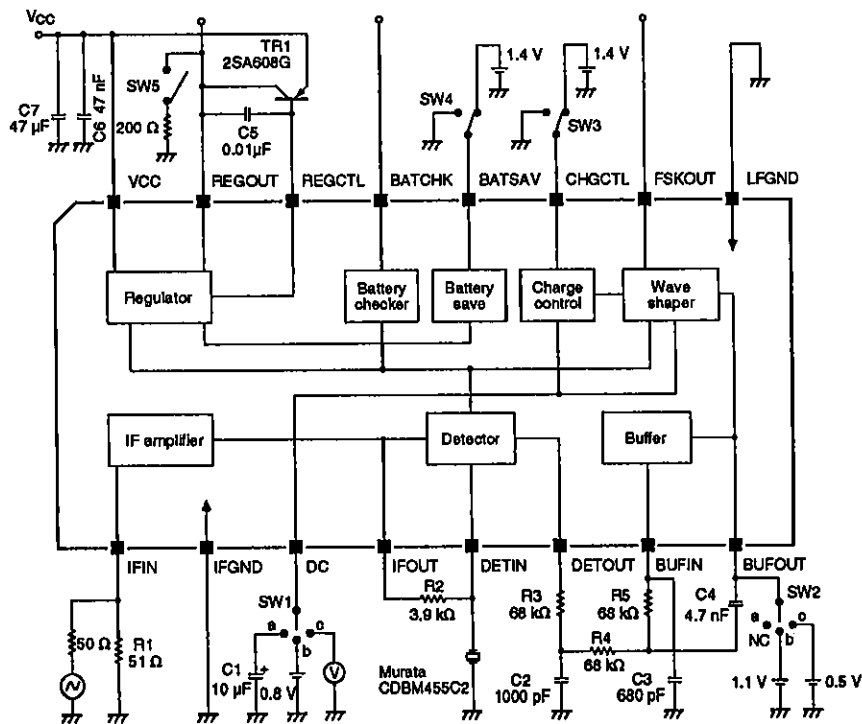
Parameter	Symbol	Rating	Unit
Supply voltage	V _{CC}	1.4	V
Supply voltage range	V _{CC}	1.0 to 5.0	V

Electrical Characteristics

$V_{CC} = 1.4 \text{ V}$, $T_a = 25 \text{ }^\circ\text{C}$, $f_c = 455 \text{ kHz}$, $f_m = 600 \text{ Hz}$, $\pm 4.5 \text{ kHz}$ deviation, 30% modulation

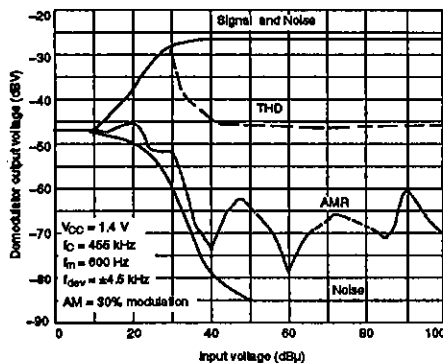
Parameter	Symbol	Condition	Rating			Unit
			min	typ	max	
Operating supply current	I_{CC1}	No input, $V_{I1} = 0 \text{ V}$, $V_{I2} = 1.4 \text{ V}$	-	0.7	1.0	mA
Standby supply current	I_{CC2}	No input, $V_{I1} = V_{I2} = 0 \text{ V}$	-	-	1	μA
-3 dB limiting sensitivity	-3 dBLS	$V_I = 80 \text{ dB}\mu$ reference, -3 dB input	30	26	-	$\text{dB}\mu$
Demodulator rms output voltage	V_O	$V_I = 80 \text{ dB}\mu$	30	50	-	mV
Total harmonic distortion	THD	$V_I = 80 \text{ dB}\mu$	-	1.0	4.0	%
Signal-to-noise ratio	S/N	$V_I = 80 \text{ dB}\mu$	40	50	-	dB
		$V_I = 21 \text{ dB}\mu$	8	-	-	
AM rejection ratio	AMR	$V_I = 80 \text{ dB}\mu$	30	40	-	dB
Wave shaper LOW-level output voltage	V_L	$V_3 = 0.8 \text{ V}$, $V_8 = 1.1 \text{ V}$, $V_{I1} = V_{I2} = 1.4 \text{ V}$	-	-	0.15	V
Wave shaper HIGH-level output voltage	V_H	$V_3 = 0.8 \text{ V}$, $V_8 = 0.5 \text{ V}$, $V_{I1} = V_{I2} = 1.4 \text{ V}$	1.0	-	-	V
Duty cycle	Duty		43	50	57	%
Battery checker threshold voltage	$V_{8\text{att}}$		1.03	1.10	1.17	V
Regulator output voltage	V_{Reg}	$V_{CC} = 1.1 \text{ V}$, $R_L = 200 \Omega$	0.93	1.00	1.07	V

Measurement Circuit

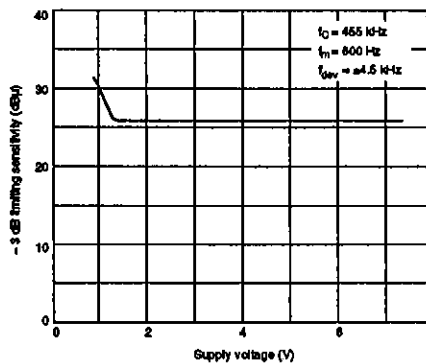


Typical Performance Characteristics

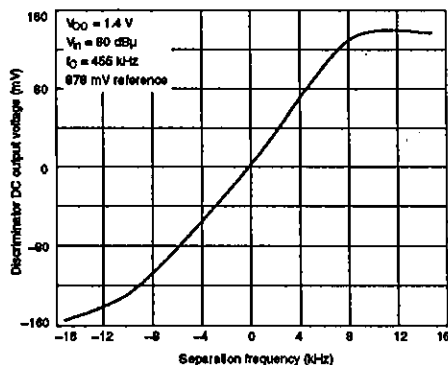
Output voltage vs. input voltage (with THD and AMR)



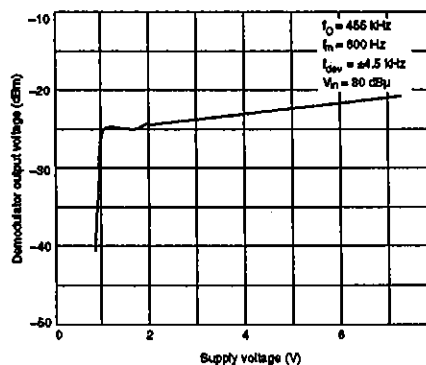
-3 dB limiting sensitivity vs. supply voltage



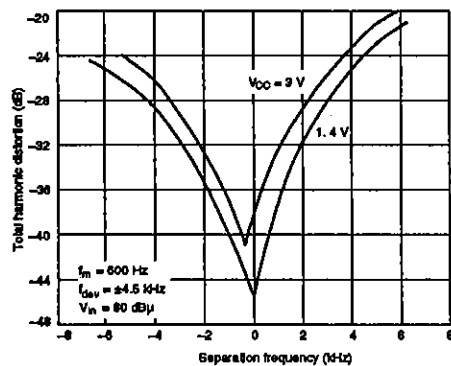
Discriminator output voltage vs. separation frequency



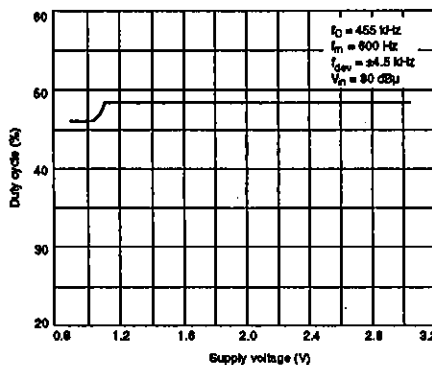
Output voltage vs. supply voltage



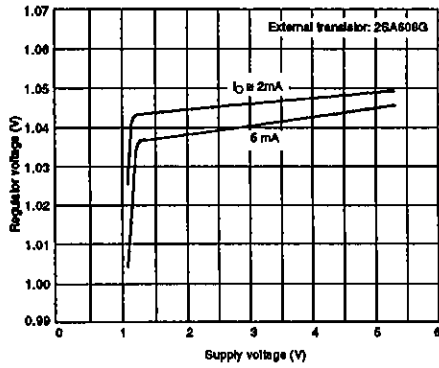
Total harmonic distortion vs. separation frequency



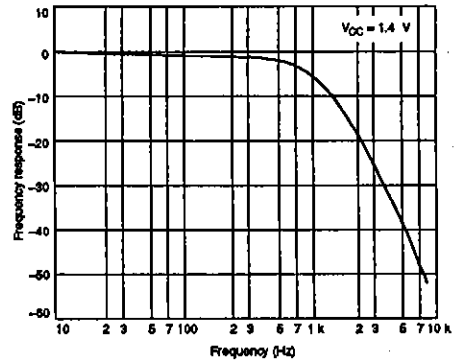
Wave shaper duty cycle vs. supply voltage



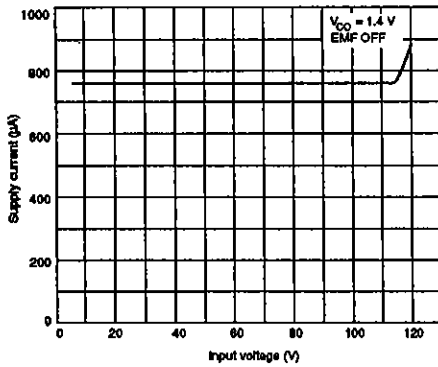
Regulator output voltage vs. supply voltage



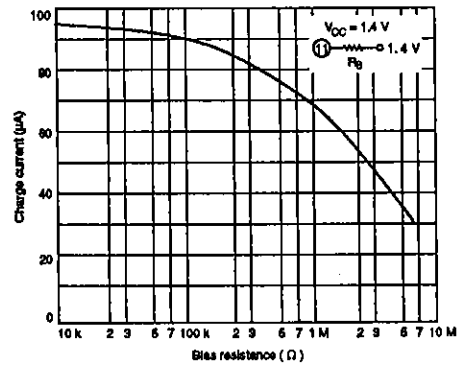
Lowpass filter frequency response



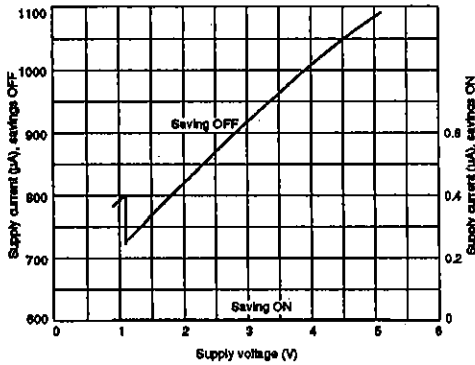
Supply current vs. input voltage (1)



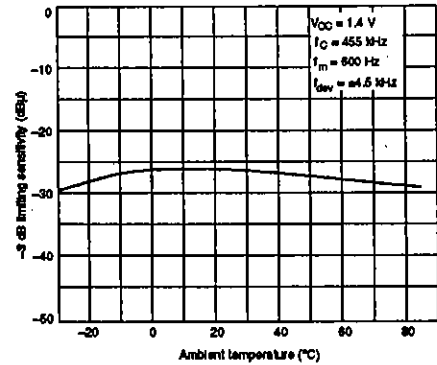
Charge current vs. bias resistance



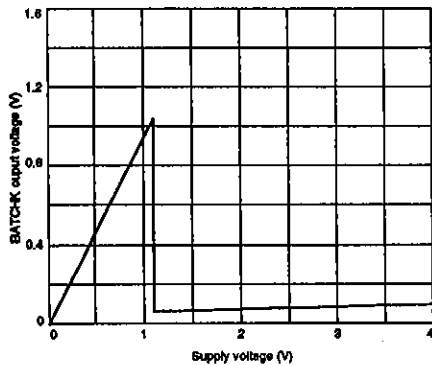
Supply current vs. Input voltage (2)



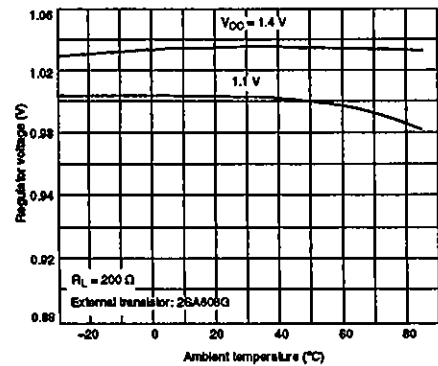
-3 dB limiting sensitivity vs. ambient temperature



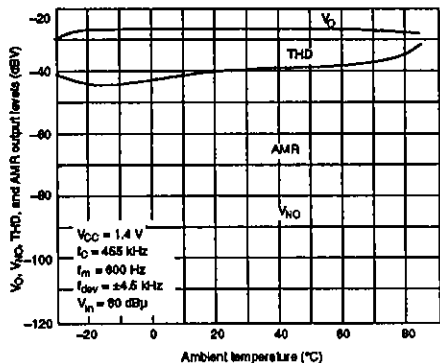
Battery checker output vs. supply voltage



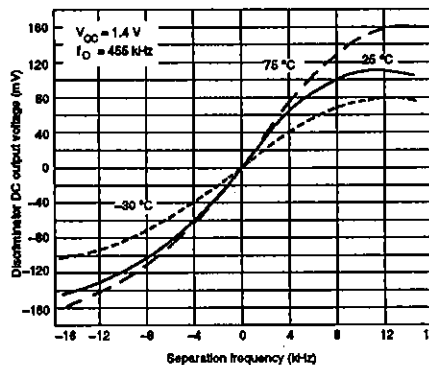
Regulator output vs. ambient temperature



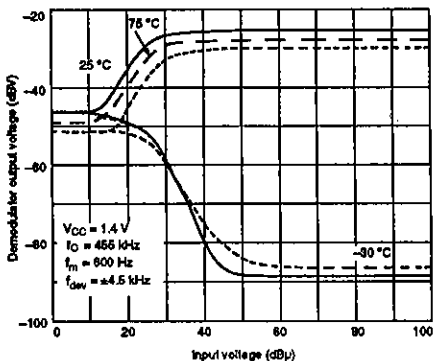
Output voltage, noise voltage, AM rejection and THD vs. ambient temperature



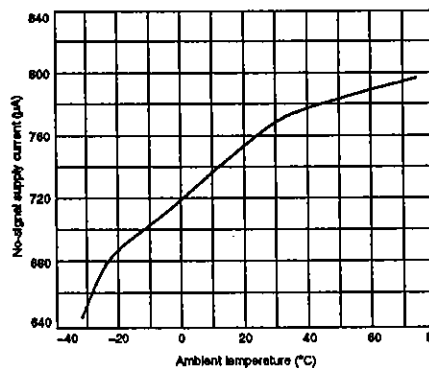
Discriminator output voltage vs. separation frequency



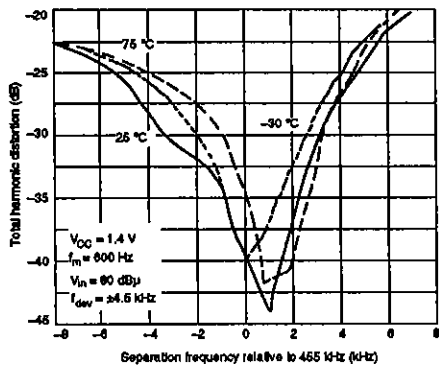
Output voltage vs. input voltage



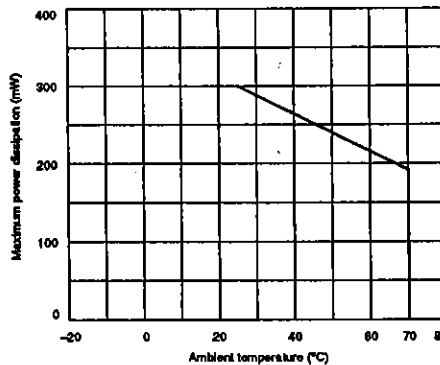
Quiescent supply current vs. ambient temperature



Tuning characteristics



Power dissipation vs. ambient temperature



FUNCTIONAL DESCRIPTION

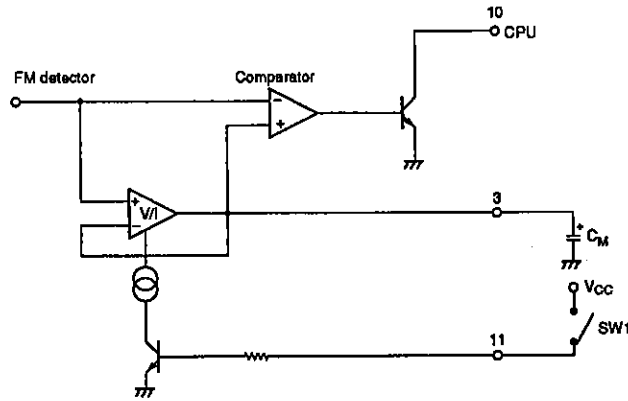


Figure 1. Wave shaper equivalent circuit

When CHGCTL goes HIGH, the voltage-to-current converter is activated, coupling the FM detector output to the detector center voltage tracking capacitor, C_M , as shown in figure 1. As C_M is connected to the noninverting input of the comparator, and the FM detector output, to the inverting input, the duty cycle of the FSK wave

shaper output signal on FSKOUT is constant. Note that the FM detector center voltage can vary as the frequency fluctuates. The wave shaper output and voltage across C_M for varying FM detector center voltage are shown in figures 2 and 3.

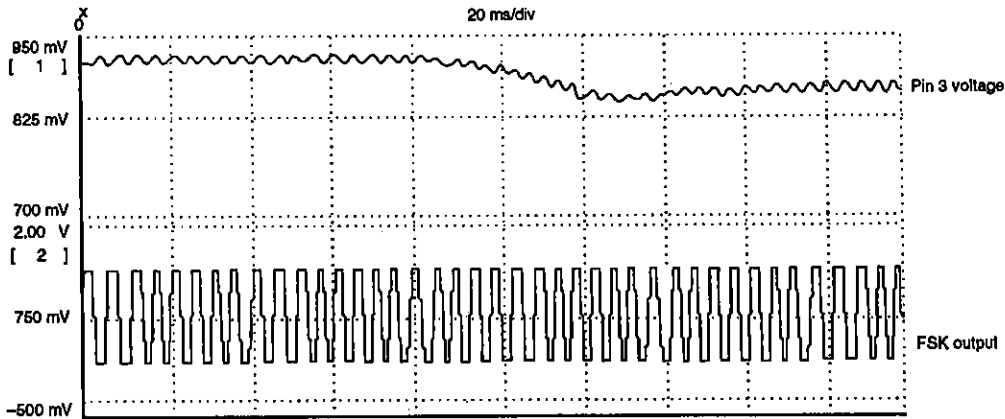


Figure 2. Wave shaper response 1

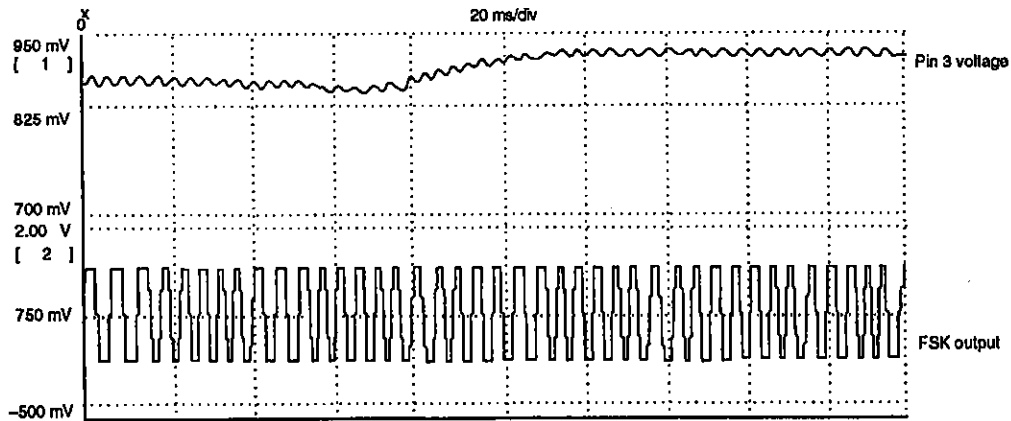


Figure 3. Wave shaper response 2

When CHGCTL goes LOW, the voltage-to-current converter is deactivated, isolating capacitor C_M . The hold voltage across C_M is then used as a threshold voltage to detect LOW-level and HIGH-level signals, for example a frame sync signal. This is called the threshold hold

function. Note that the wave shaper continues to function regardless of the level on CHGCTL. The FSK wave shaper output as C_M discharges is shown in figures 4 to 7.

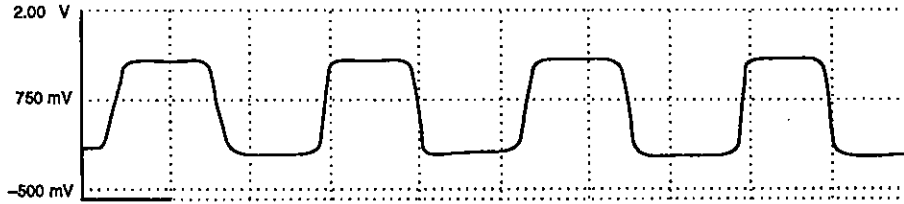


Figure 4. Wave shaper after 2 seconds

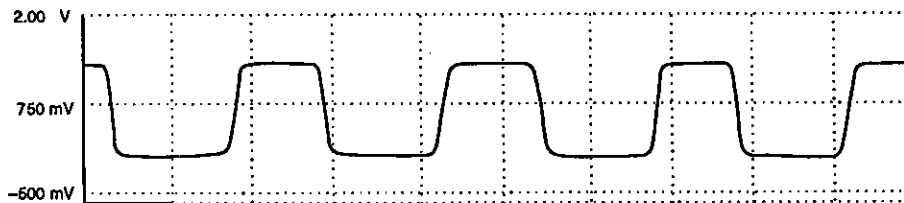


Figure 5. Wave shaper after 4 seconds

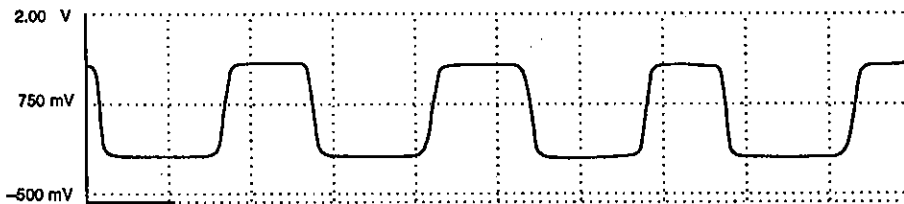


Figure 6. Wave shaper after 5 seconds

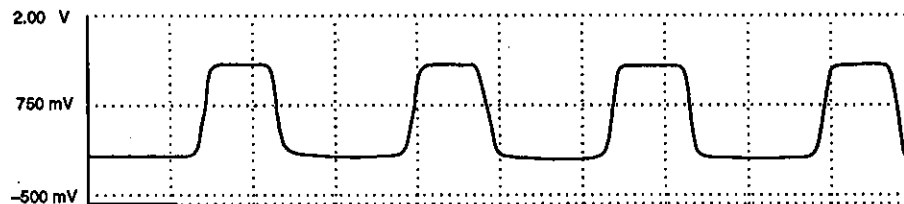


Figure 7. Wave shaper after 10 seconds

If the threshold hold function is not required, connect a 150 k Ω resistor between DC and BUFOUT as shown in figure 8.

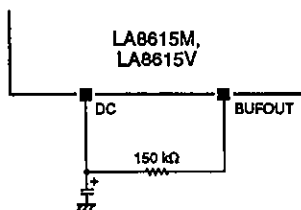
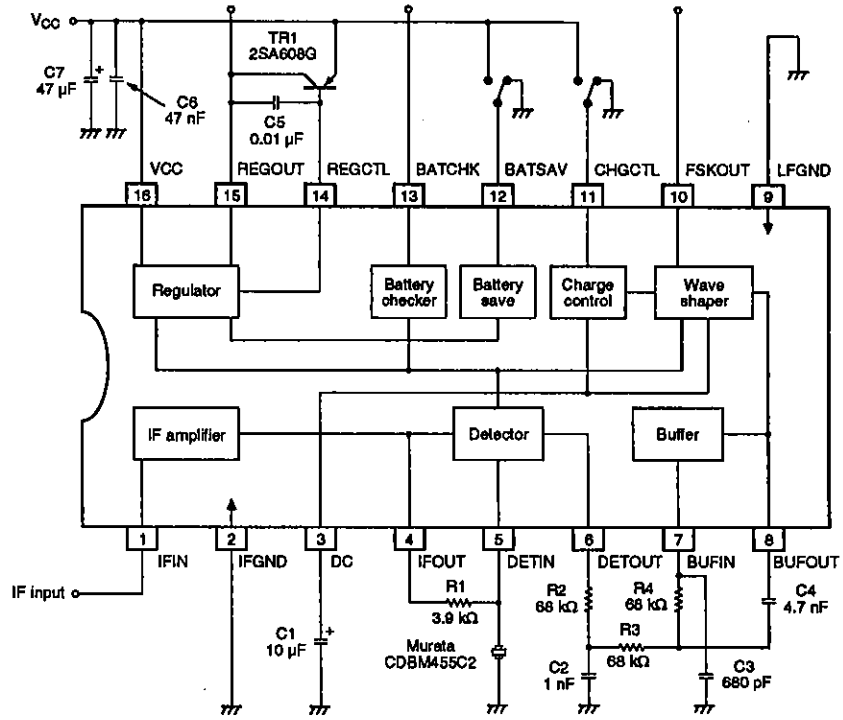
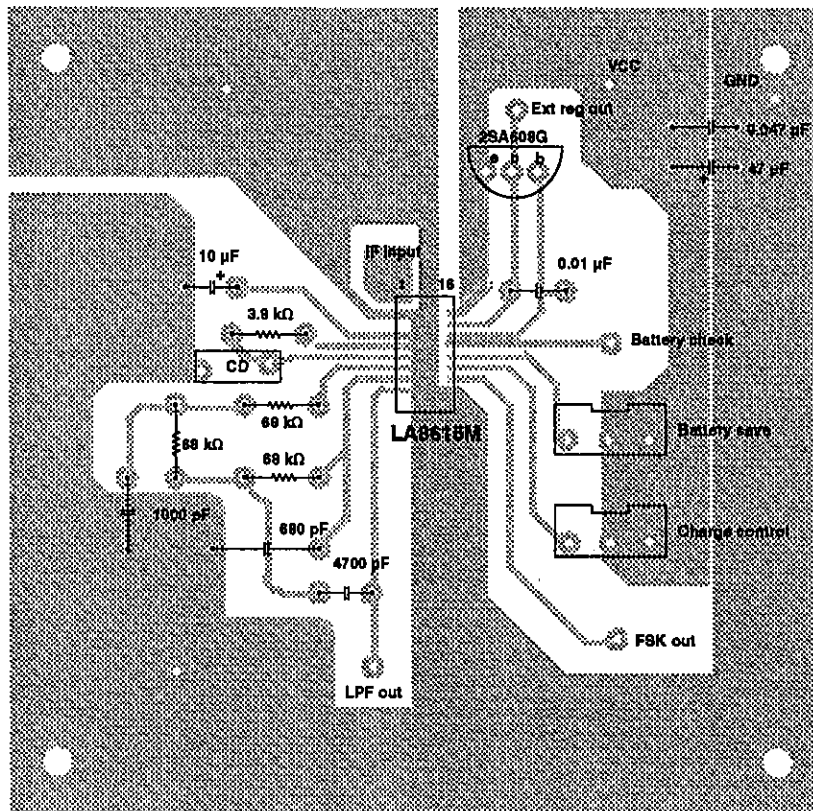


Figure 8. Connection for no threshold hold

TYPICAL APPLICATION



LA8615M PRINTED CIRCUIT BOARD LAYOUT



- No products described or contained herein are intended for use in surgical implants, life-support systems, aerospace equipment, nuclear power control systems, vehicles, disaster/crime-prevention equipment and the like, the failure of which may directly or indirectly cause injury, death or property loss.
- Anyone purchasing any products described or contained herein for an above-mentioned use shall:
 - ① Accept full responsibility and indemnify and defend SANYO ELECTRIC CO., LTD., its affiliates, subsidiaries and distributors and all their officers and employees, jointly and severally, against any and all claims and litigation and all damages, cost and expenses associated with such use:
 - ② Not impose any responsibility for any fault or negligence which may be cited in any such claim or litigation on SANYO ELECTRIC CO., LTD., its affiliates, subsidiaries and distributors or any of their officers and employees jointly or severally.
- Information (including circuit diagrams and circuit parameters) herein is for example only; it is not guaranteed for volume production. SANYO believes information herein is accurate and reliable, but no guarantees are made or implied regarding its use or any infringements of intellectual property rights or other rights of third parties.